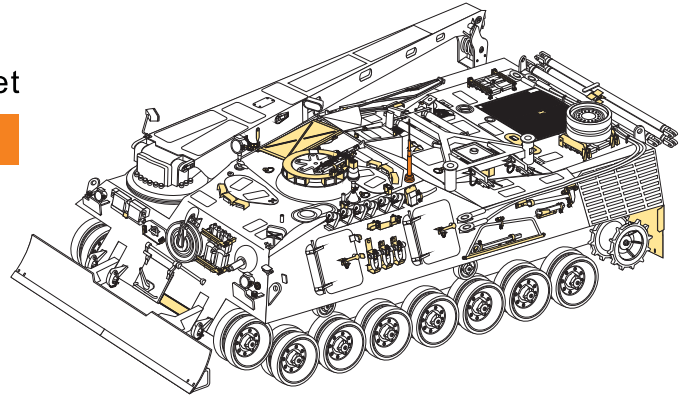


1/35 MILITARY MINIATURE VEHICLE UPGRADE SERIES PE351015

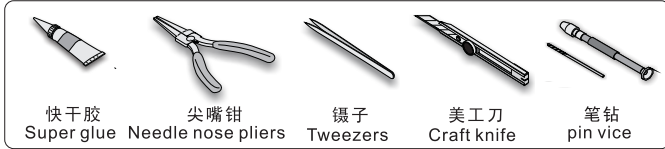
Modern German Bergepanzer 2 Upgrade set

现代德军水牛工程维修坦克改造件

[For TAKOM 2122]



推荐使用工具 RECOMMENDED TOOLS



↑
安装
install

↩
折叠
bend

A1
改造件零件编号
PE/resin part number

B12
原零件编号
kit part number

C22
被替换的原零件编号
replaced kit part number

◀▶
另一侧相同制作
repeat on opposite side

✂
切除
remove

🔪
打磨
grind off

🌀
弧度卷曲
radial bending

✖
制作若干组
multiple assembly

↔
选择安装
alternative

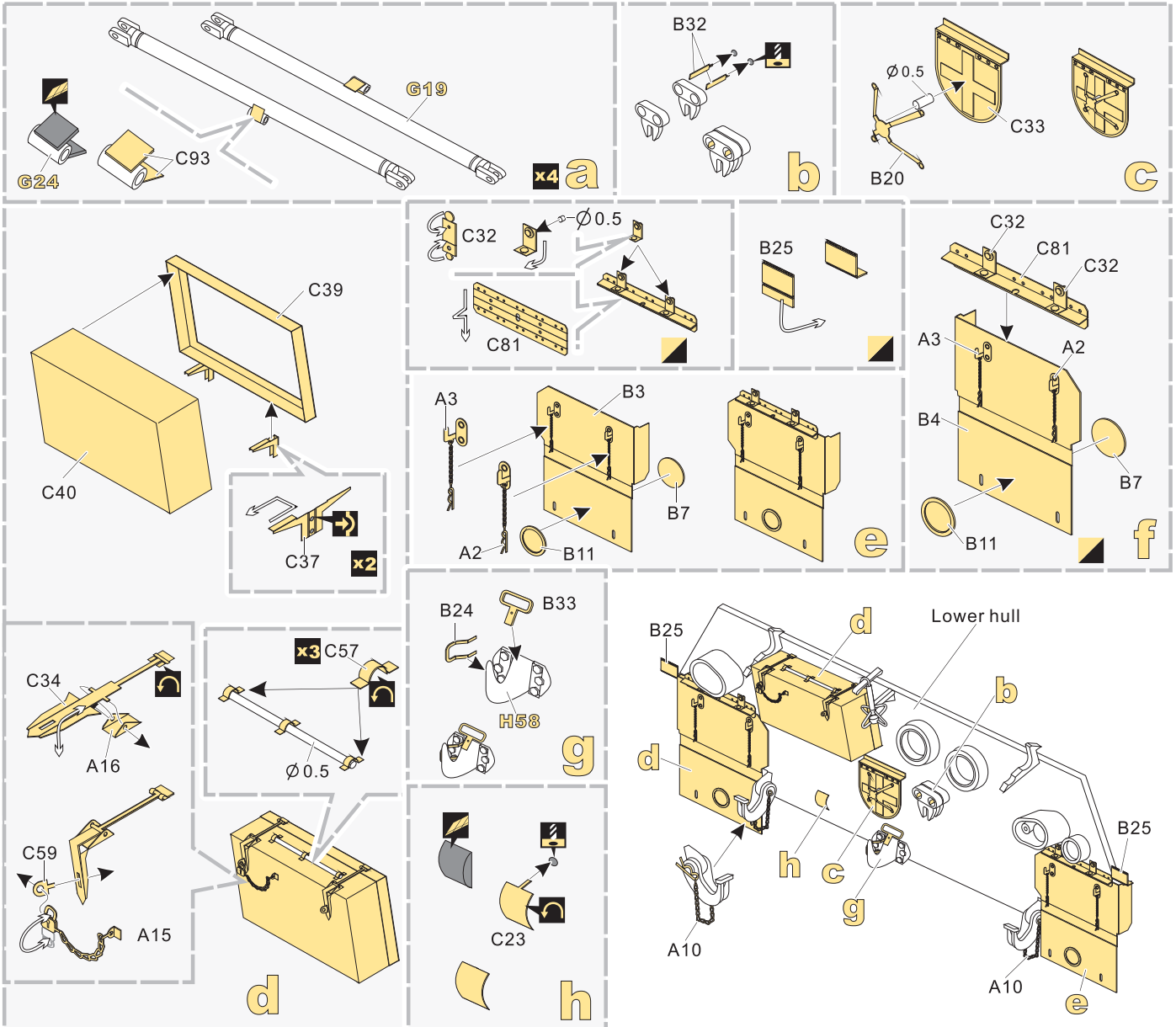
🔧
钻孔
drill

📌
用胶棒制作
make from plastic rod

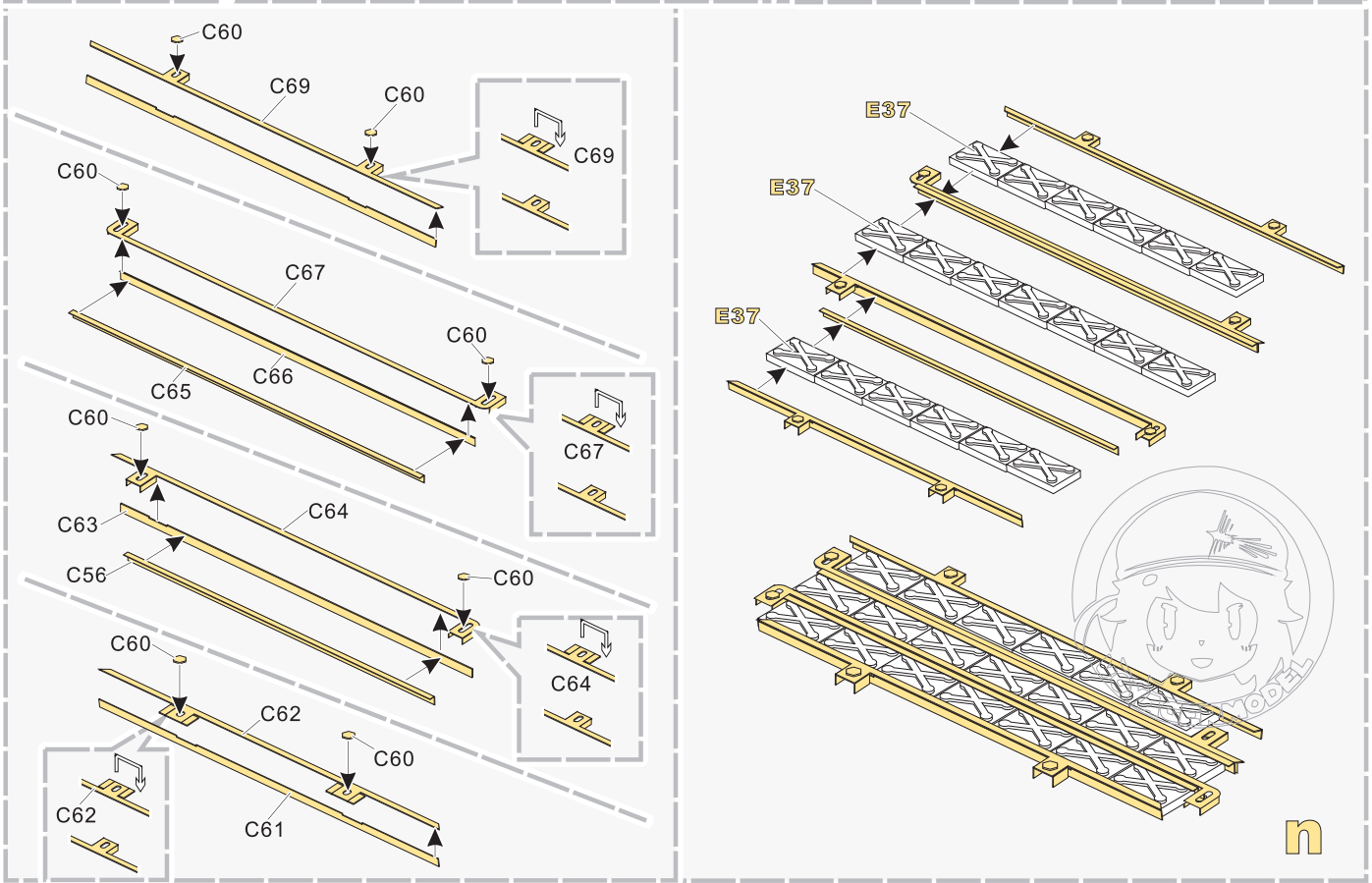
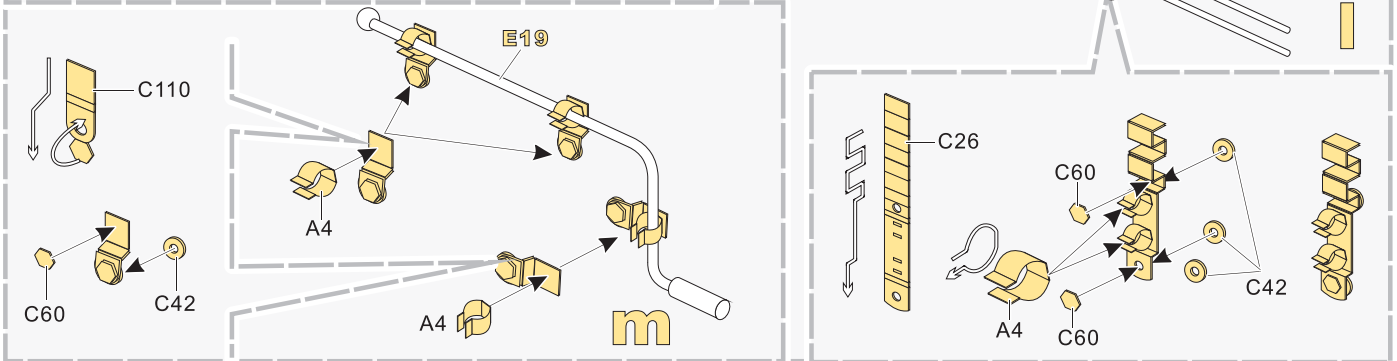
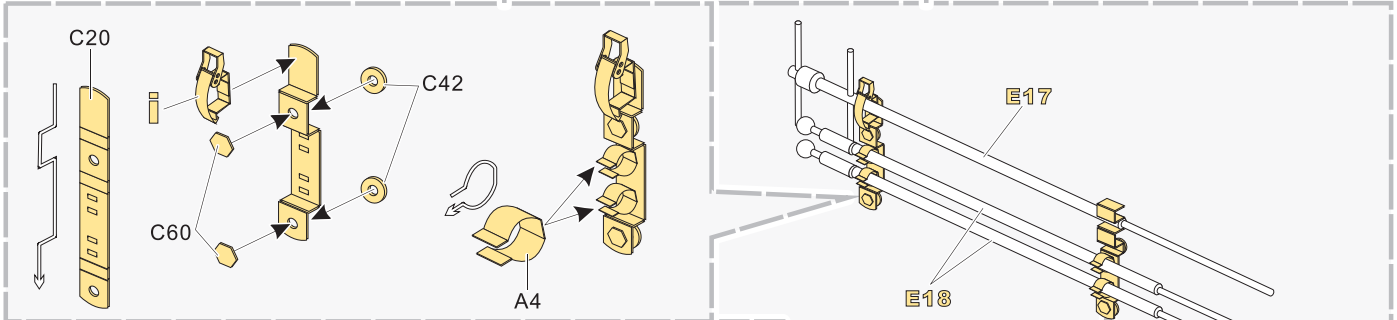
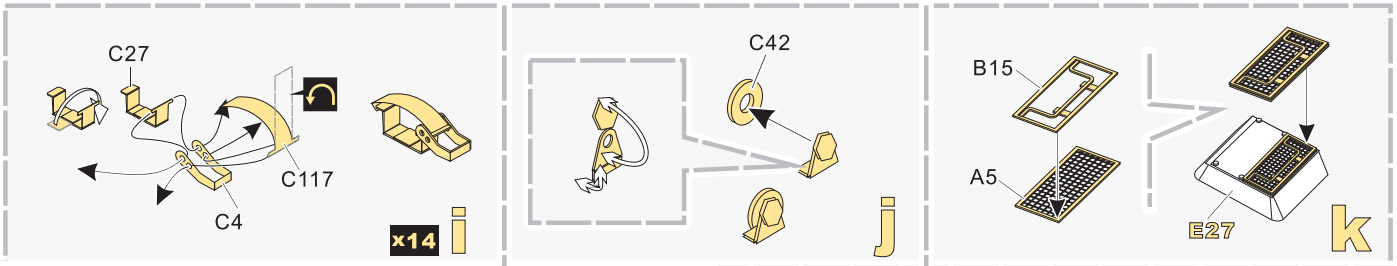
↓
用尖端在凹槽处冲压
use penpoint to press on the dent

蚀刻片零件内侧面向上
Put the part upside down

用笔尖在凹槽处划
Use penpoint to press on the dent



1/35 MILITARY MINIATURE VEHICLE UPGRADE SERIES PE351015



1/35 MILITARY MINIATURE VEHICLE UPGRADE SERIES PE351015



1/35 MILITARY MINIATURE VEHICLE UPGRADE SERIES PE351015

V x3 H62, H19, A24

W x6 H45, B27, A6

X x2 B28, B26

Y B5, Ø0.5

Z x2 C85, C114, C115, C116

aa C58, C118, H66

ab x2 C73, C75, C74, B31, C80, C72, T2

ac E34, E31, T2, C54, C120, C35, B31, C36

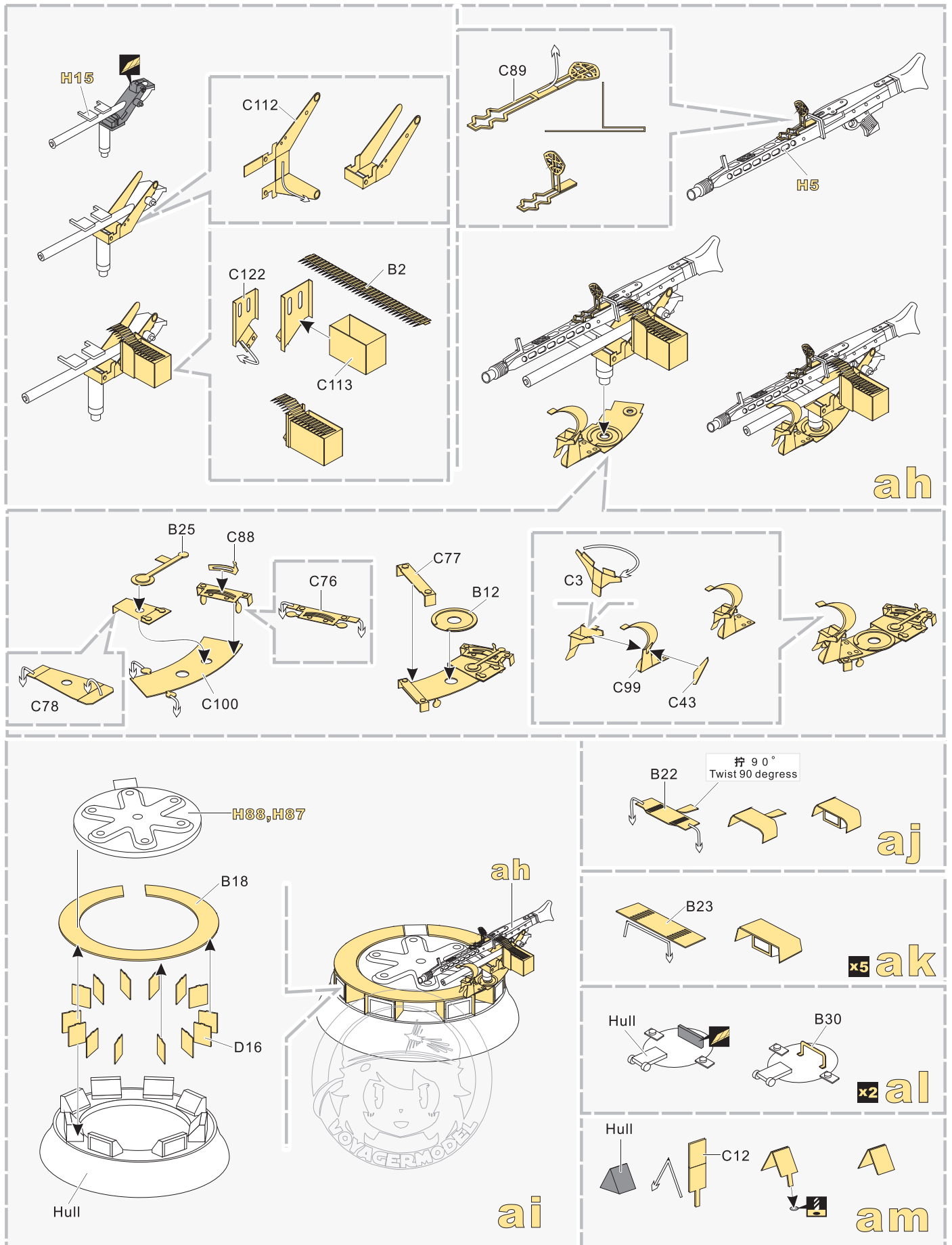
ad x3 G23, B29, Ø1.2, A14, C86, A11

ae H68, H67, C104, B17

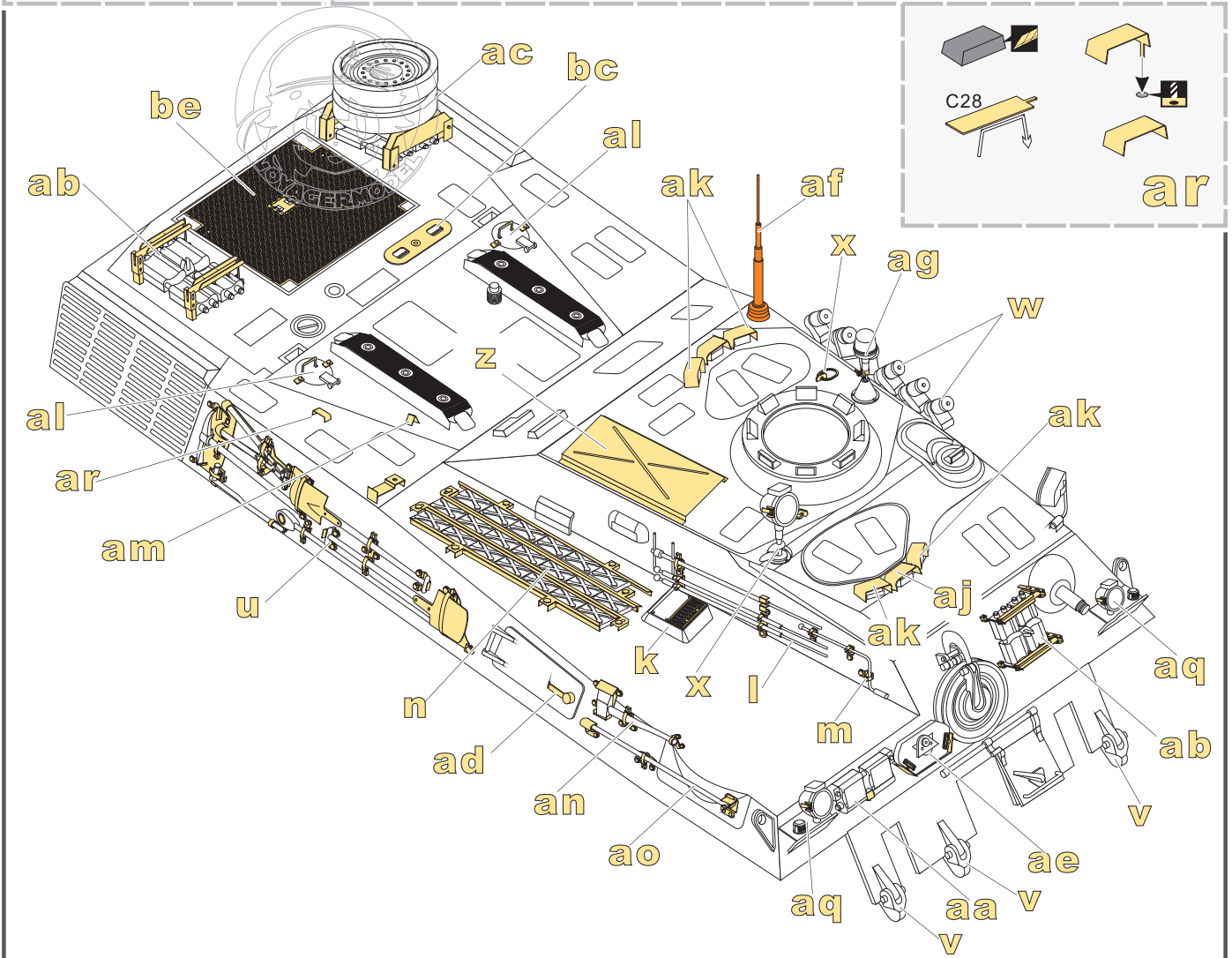
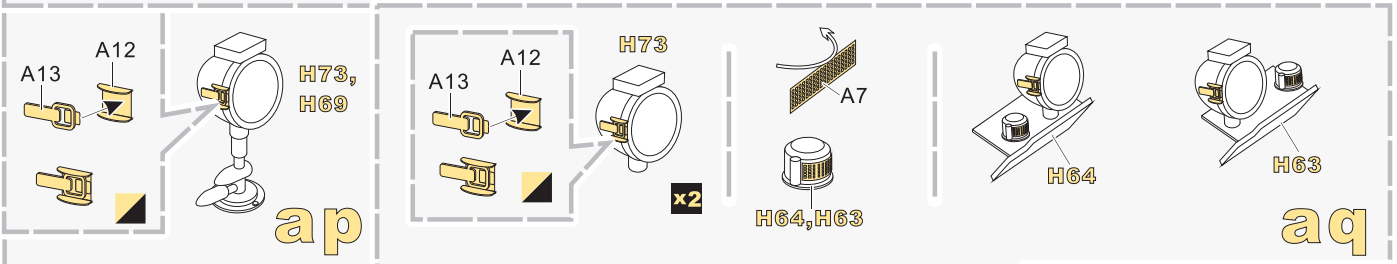
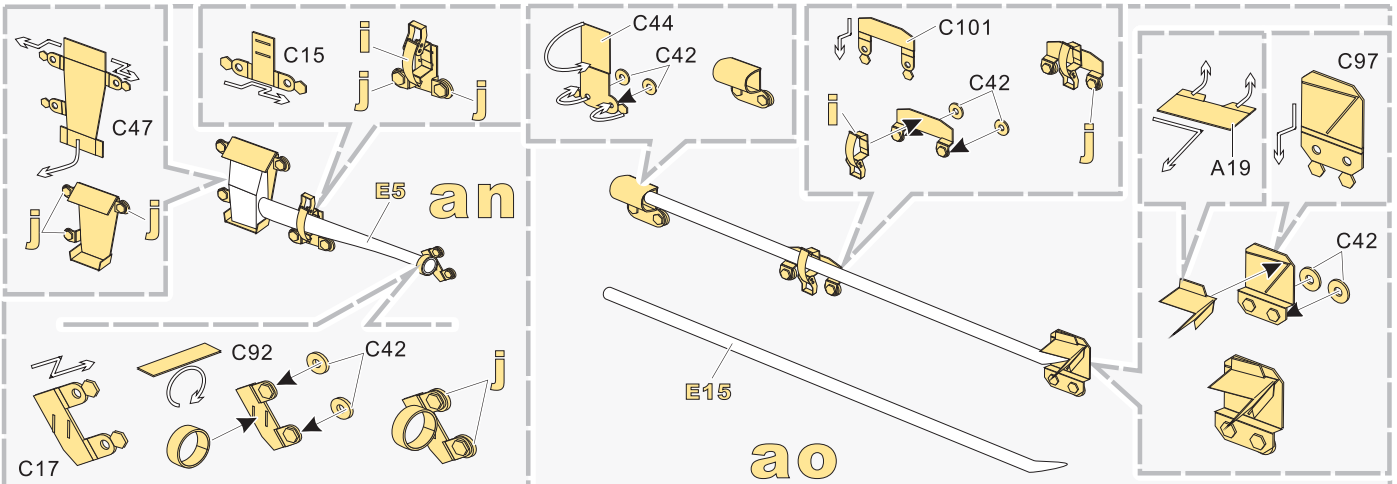
af 金属件 Metal part

ag J3, H70, A25, A24

1/35 MILITARY MINIATURE VEHICLE UPGRADE SERIES PE351015



1/35 MILITARY MINIATURE VEHICLE UPGRADE SERIES PE351015



1/35 MILITARY MINIATURE VEHICLE UPGRADE SERIES PE351015

as

at

au

自制
Scratch build

$\varnothing 1.0$

av

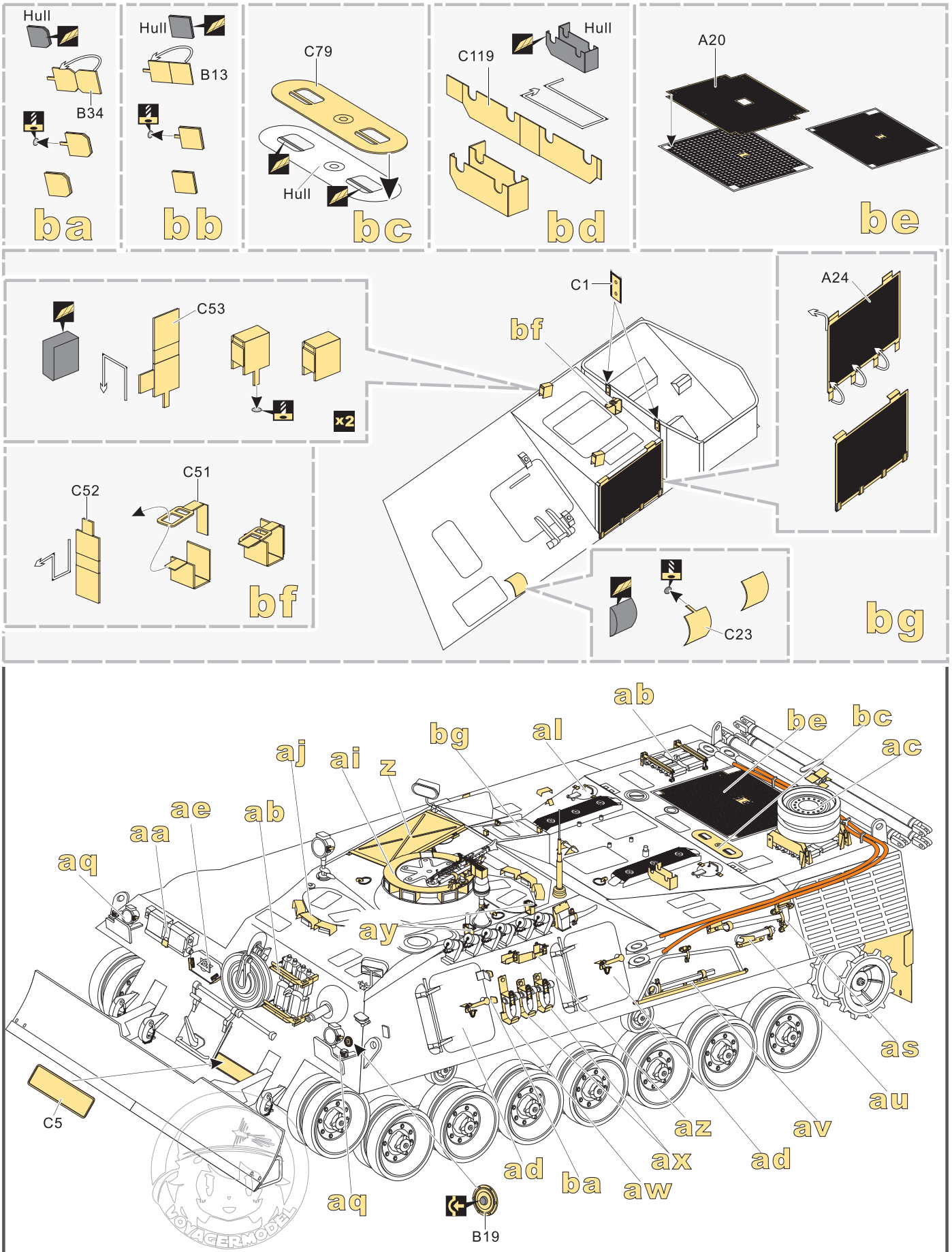
aw

x2 ax

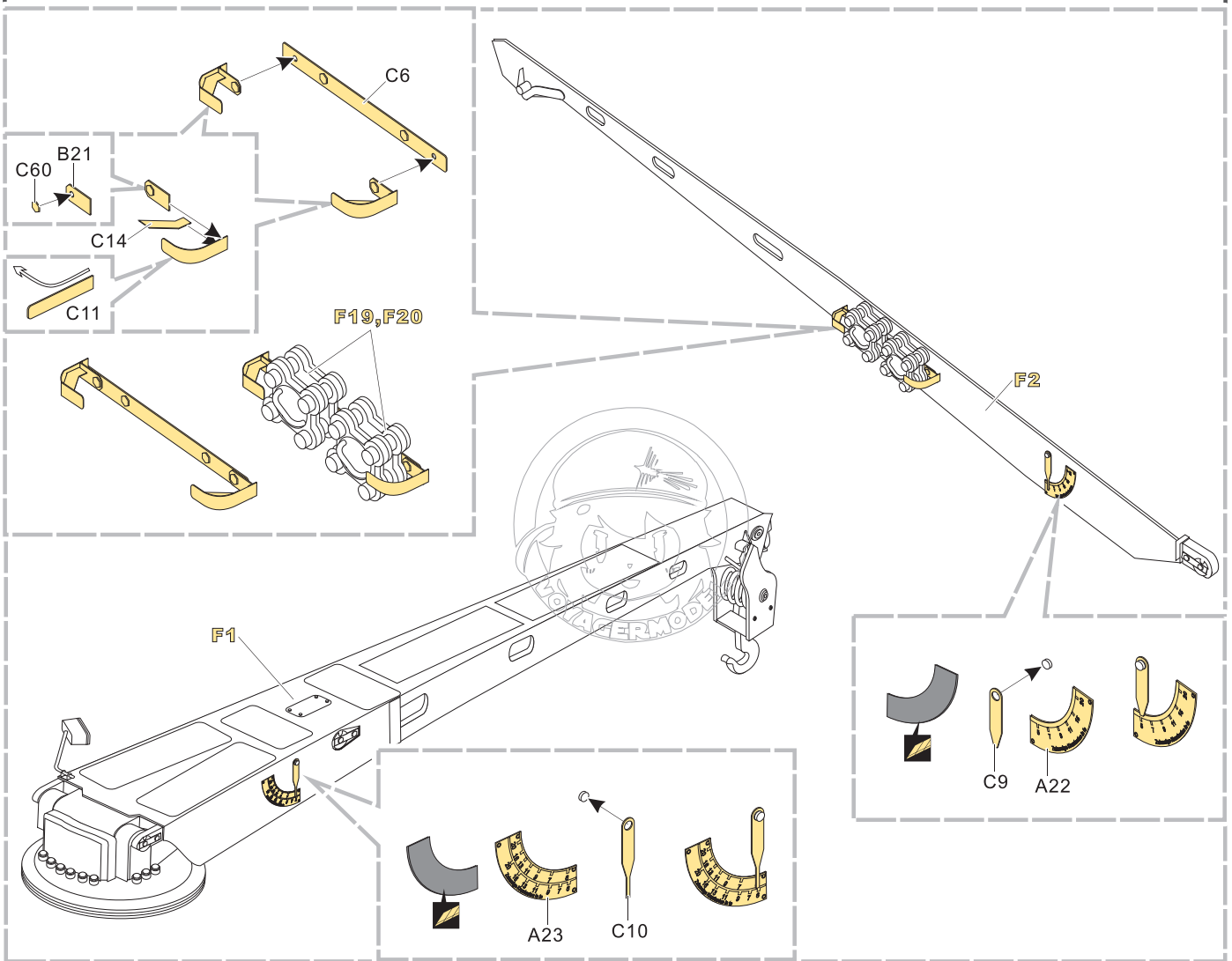
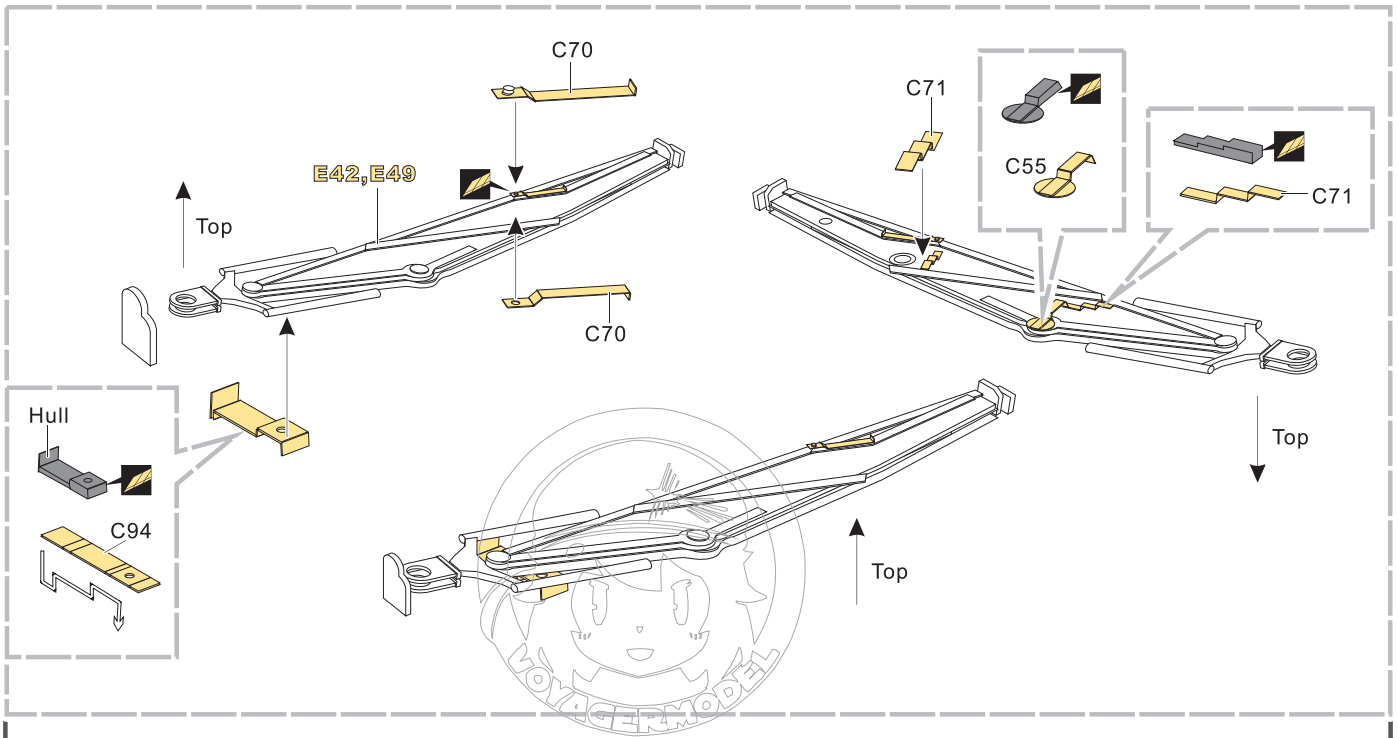
x2 ay

az

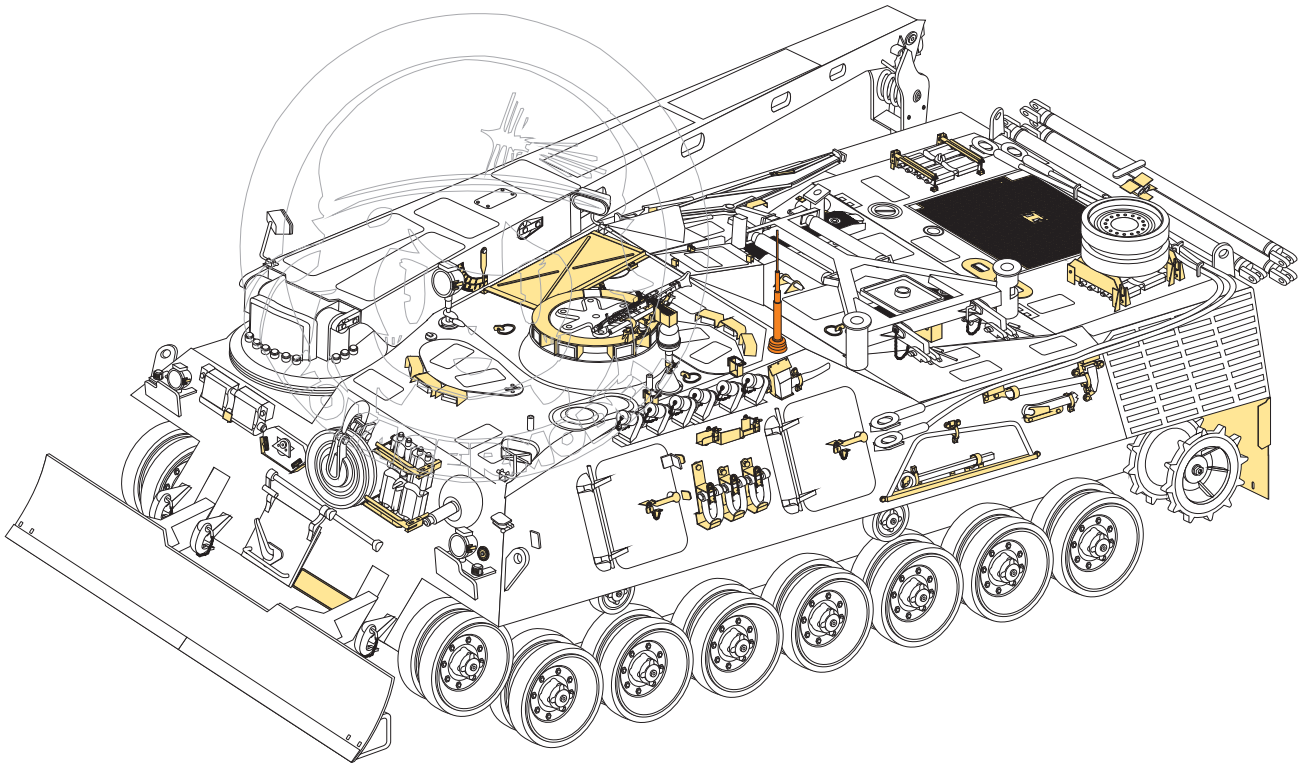
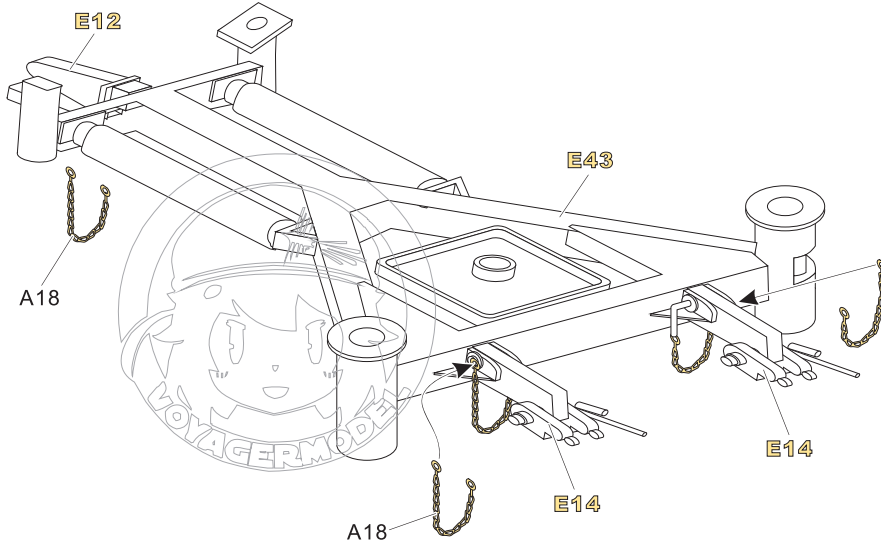
1/35 MILITARY MINIATURE VEHICLE UPGRADE SERIES PE351015



1/35 MILITARY MINIATURE VEHICLE UPGRADE SERIES PE351015



1/35 MILITARY MINIATURE VEHICLE UPGRADE SERIES PE351015



[Http://www.voyagermodel.com/productdetails.asp?itemid=PE351015](http://www.voyagermodel.com/productdetails.asp?itemid=PE351015)



**VOYAGER
MODEL**



更多PE351015样品照片参考请扫一扫
MORE PICTUER OF PE 351015
REFERENCE SCAN HERE

VOYAGERMODEL® 无微不至 极尽享受

Recommended item

PE 351006	Modern Canadian Leopard C2 MEXAS MBT(B ver included Gun barrel)
PE 351007	Modern German Leopard 2A7 +Basic
PE 351025	Modern German Leopard 2A5 MBT Basic
PE 351026	Modern German Leopard 2A6 MBT Basic
PE 35631	Modern German Leopard 1A3 MBT (Gun barrel Include)
PE 35636	Modern German Leopard 1A4 MBT (Gun barrel Include)
PE 35684	Modern German Leopard1A5 MBT (Gun barrel ,smoke discharger, atenna base include)
PE 35685	Modern Canadian Leopard C2 MBT (Gun barrel ,smoke discharger, atenna base include)
PE 35891	Modern German Leopard2 Revolution 2 MBT Basic
PE 35632	Modern US Army M88A1 Recovery Vehicle (smoke discharger include)
PE 35633	Modern German M88A1G Recovery Vehicle (smoke discharger include)
PE 35739	Modern German Leopard1A5 MBT (Gun barrel ,smoke discharger, atenna base include
PE 35774	Modern German Leopard 2A4 Basic
PE 35775	Modern German Leopard 2A5 Basic (Ver.B Gun barrel Include)
PE 35776	Modern German Leopard 2A6 Basic (Ver.B Gun barrel Include)
PE 35859	Modern German Leopard 2A7 Basic
PE 35890	Modern German Leopard2A4 Revolution 1 MBT Basic