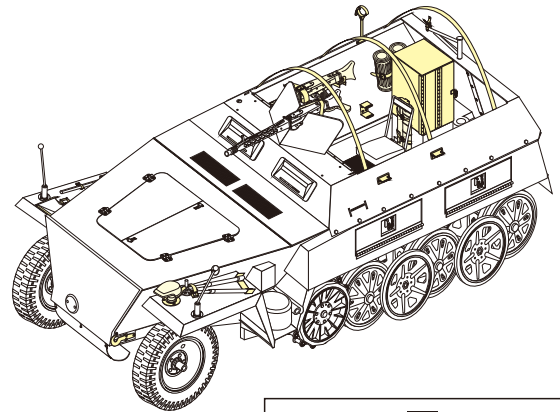


1/35 MILITARY MINIATURE VEHICLE UPGRADE SERIES PE35241

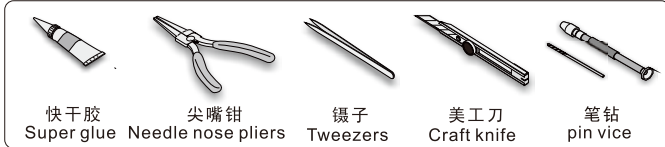
# WWII German Sd.Kfz.250/1 NEU Basic

## 二战德军Sd.Kfz.250/1 NEU装甲车基本改造件










[For DRAGON 6427]




### 推荐使用工具 RECOMMENDED TOOLS

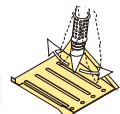


快干胶 Super glue    尖嘴钳 Needle nose pliers    镊子 Tweezers    美工刀 Craft knife    笔钻 pin vice

-   
 安装  
install
-   
 折叠  
bend
- A1**  
 改造件零件编号  
PE/resin part number
- B12**  
 原零件编号  
kit part number
- C22**  
 被替换的原零件编号  
replaced kit part number
-   
 另一侧相同制作  
repeat on opposite side
-   
 切除  
remove
-   
 打磨  
grind off
-   
 弧度卷曲  
radial bending
- x2**  
 制作若干组  
multiple assembly
-   
 选择安装  
alternative
-   
 钻孔  
drill
-   
 用胶棒制作  
make from plastic rod

  
 用尖端在凹槽处冲压  
use penpoint to press on the dent

蚀刻片零件内朝面向上  
Put the part upside down  
 用笔尖在凹槽处刺  
Use penpoint to press on the dent



### 悬挂改造 Suspension assembly

金属件  
Metal part

铜丝  
Copper wire

A64

树脂件  
Resin part

A23

金属件  
Metal part

铜丝  
Copper wire

A23

B2[B4]

B1[B3]

B10[B10]

树脂件  
Resin part

Q2

Q1

C1

G14, G15

d

e

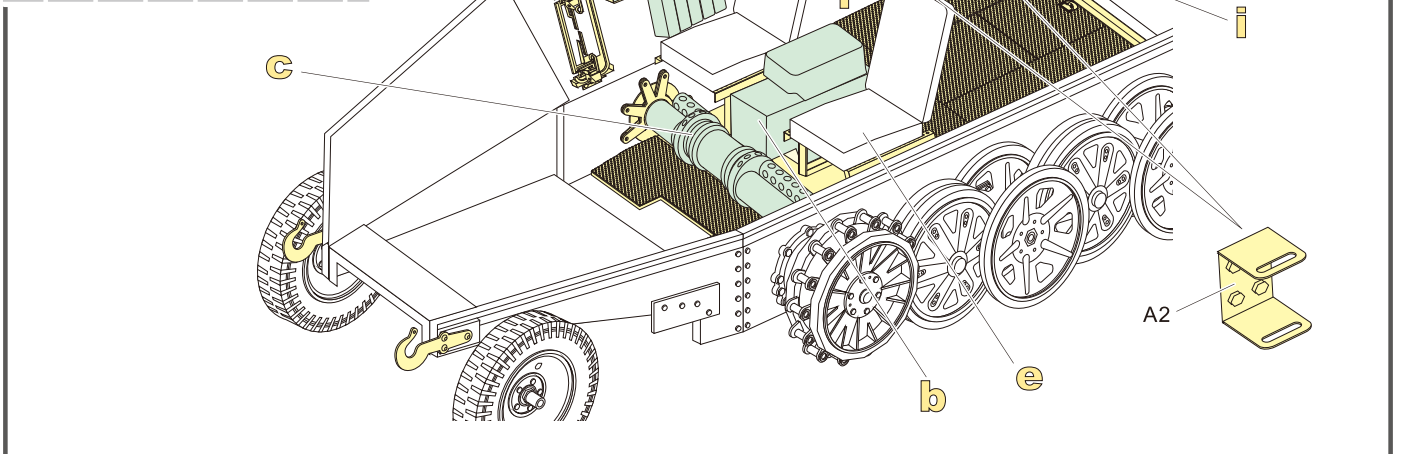
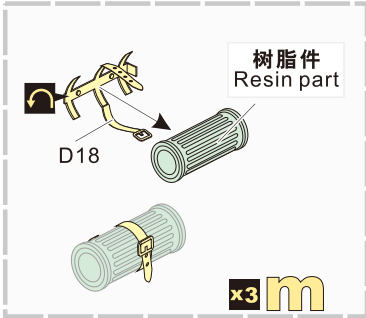
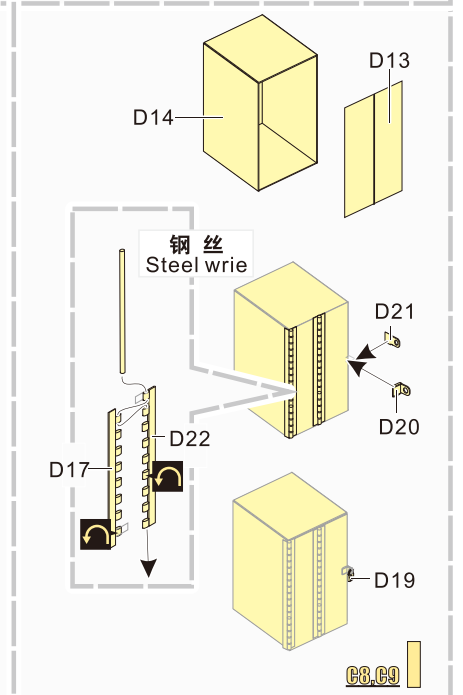
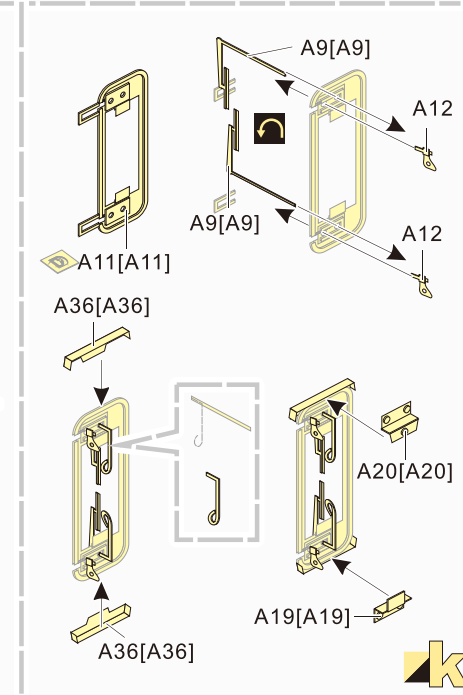
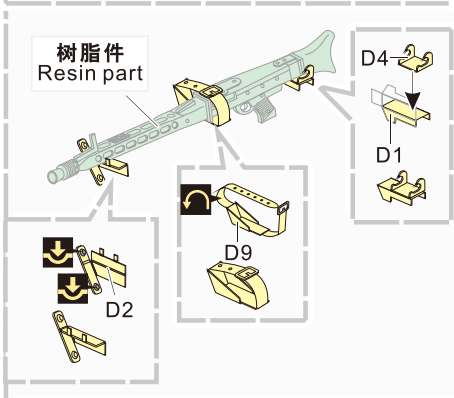
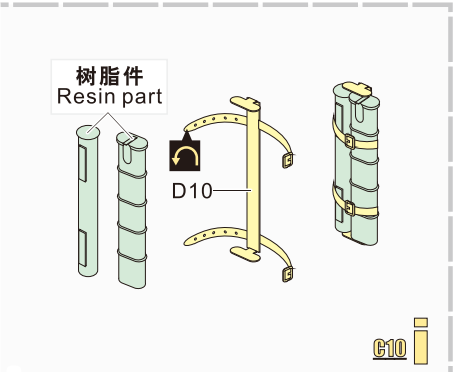
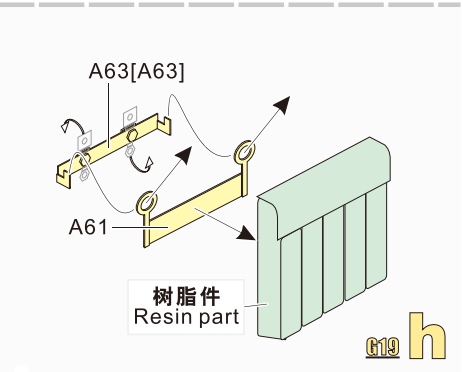
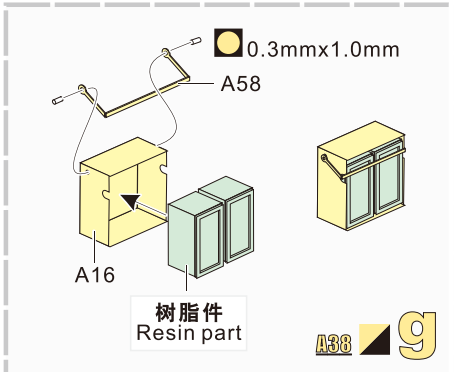
C1

A27

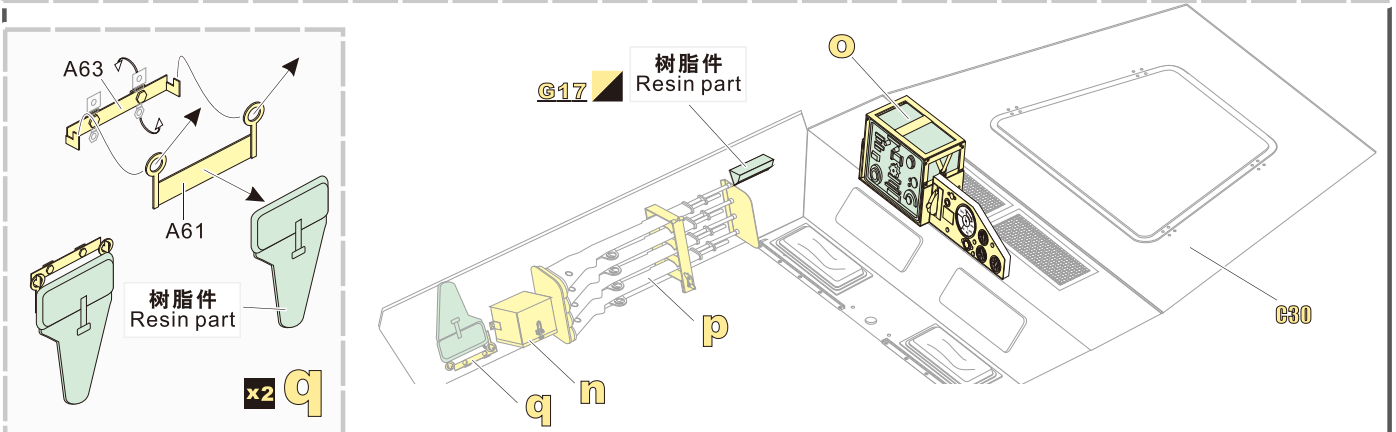
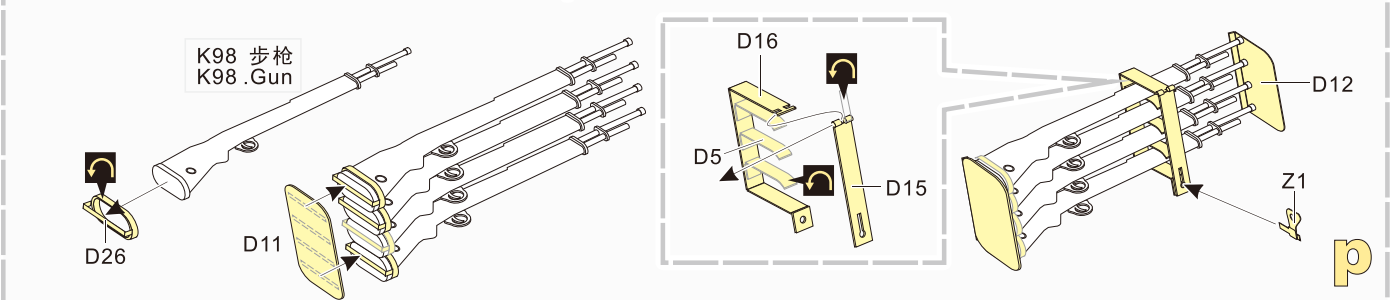
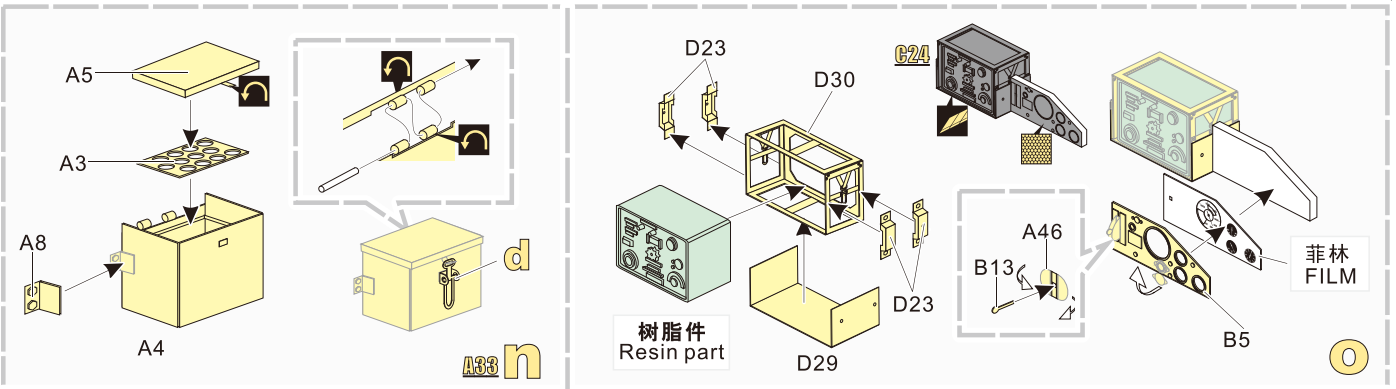
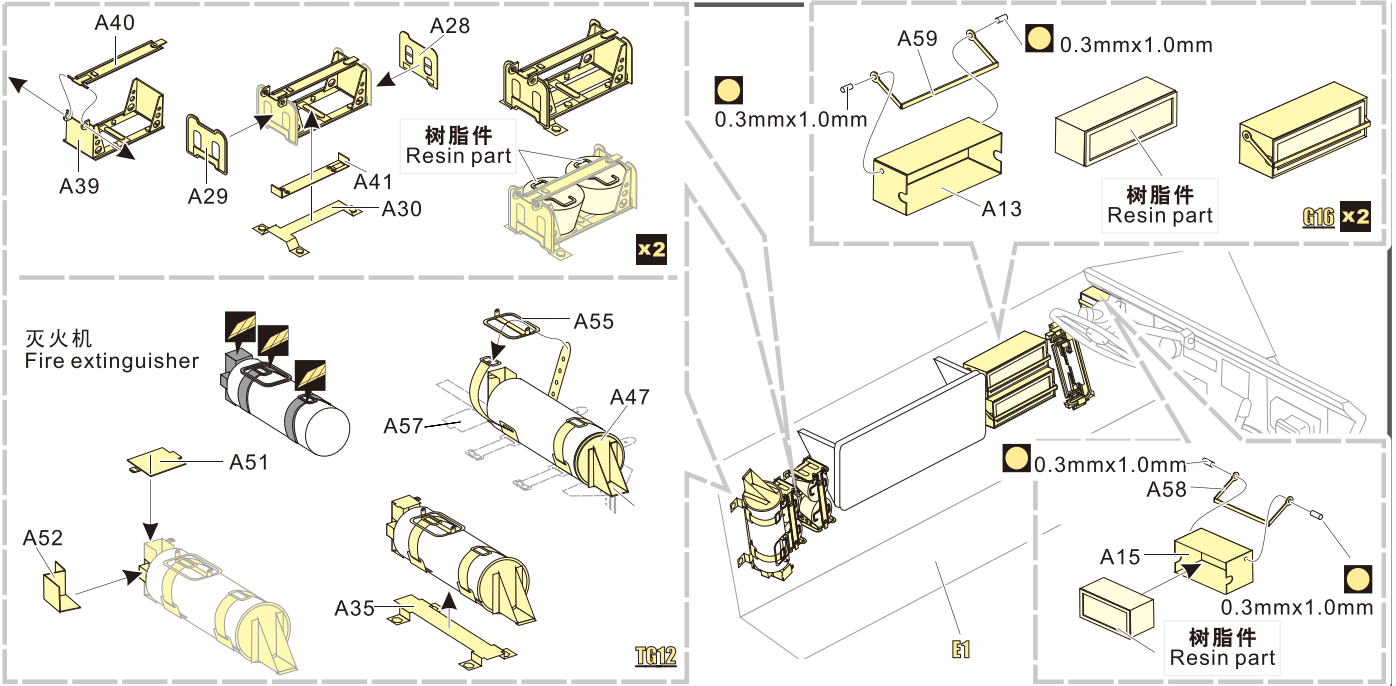
G12, G13

f

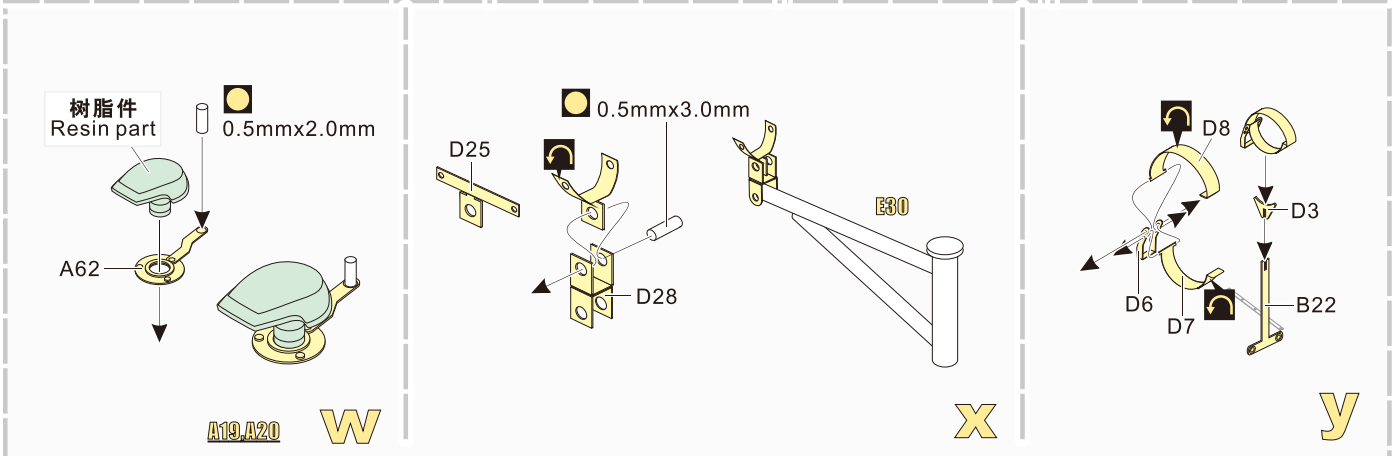
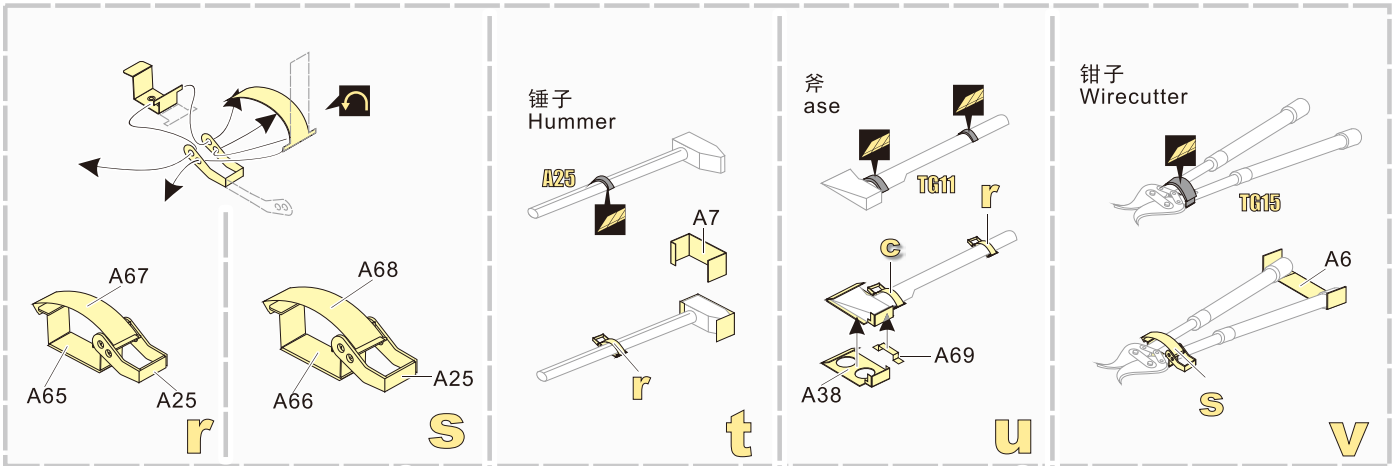
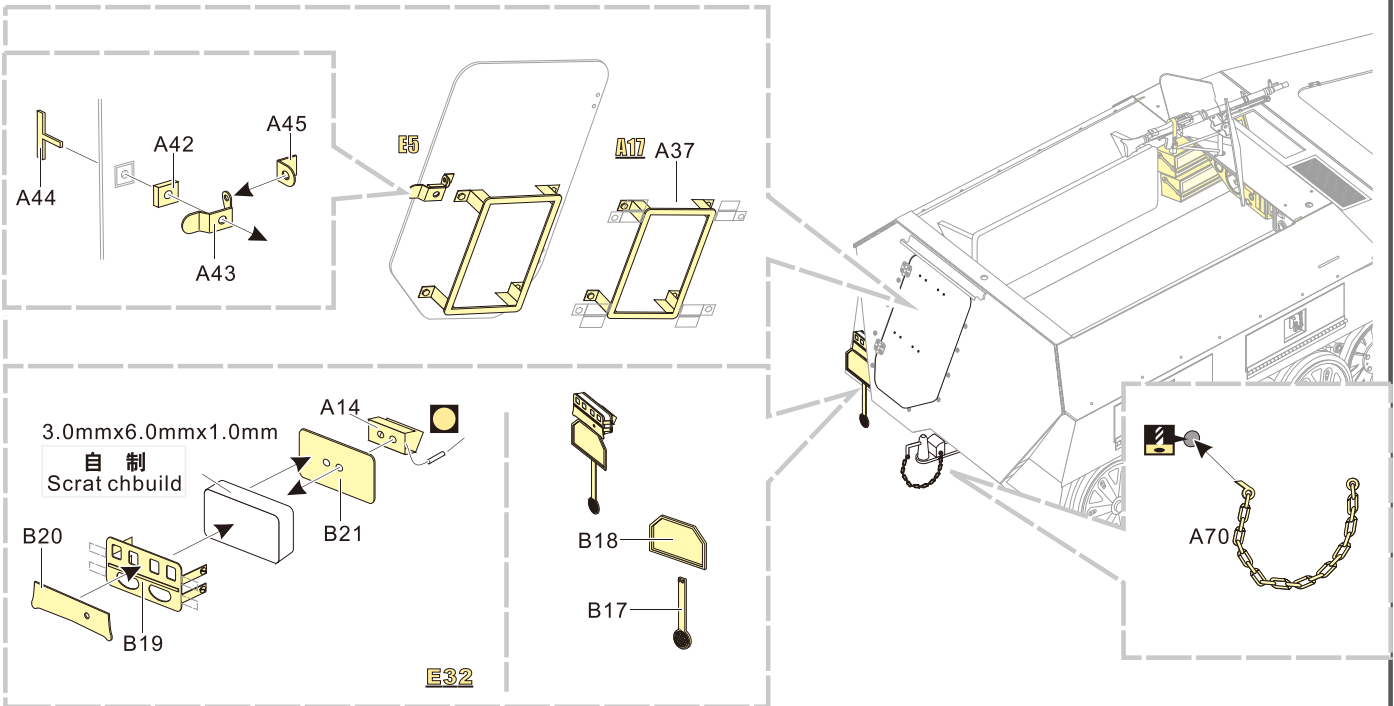
1/35 MILITARY MINIATURE VEHICLE UPGRADE SERIES PE35241



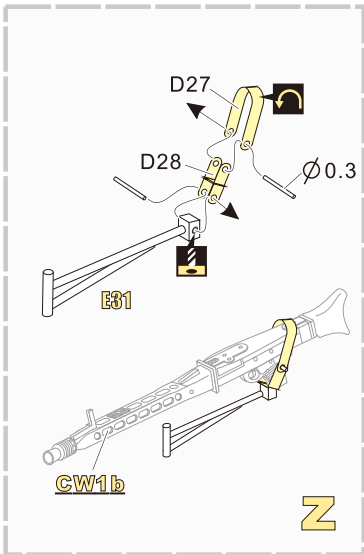
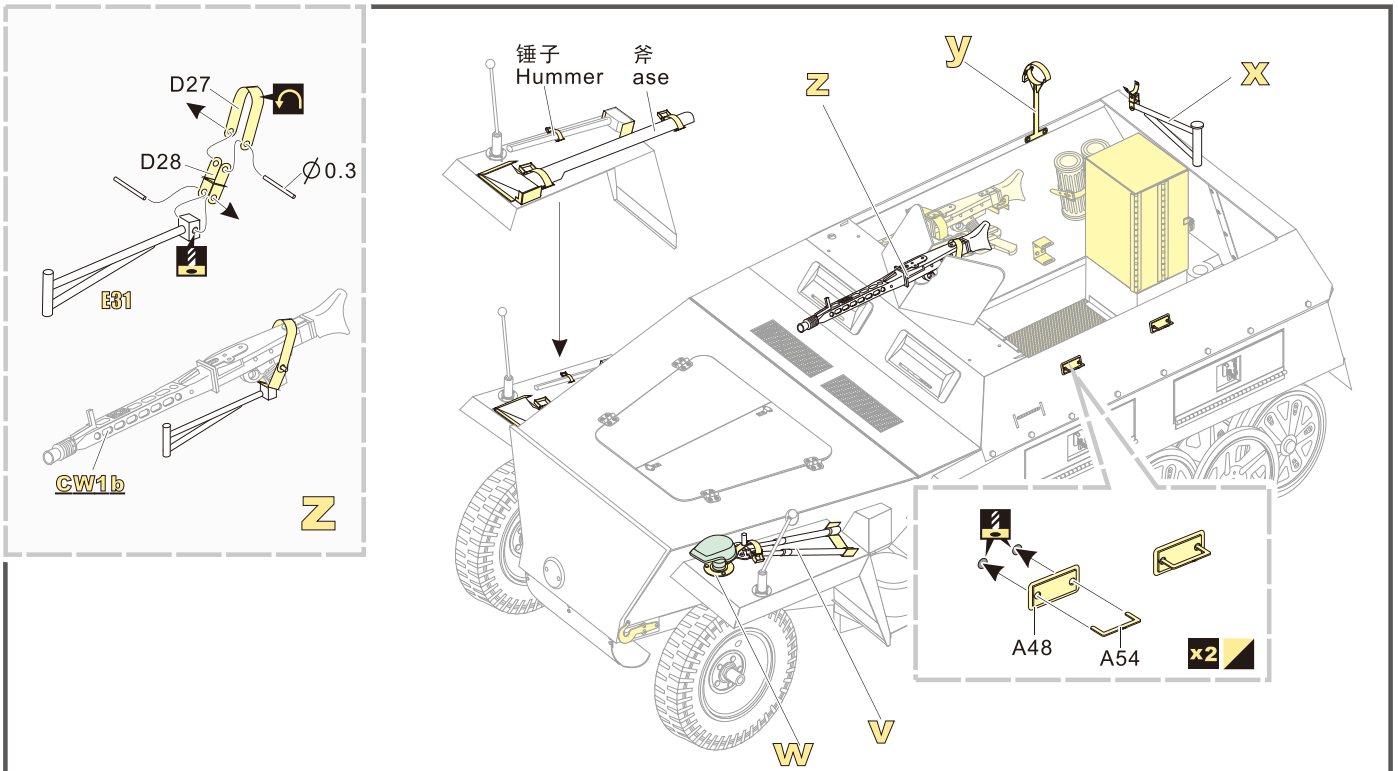
1/35 MILITARY MINIATURE VEHICLE UPGRADE SERIES PE35241



1/35 MILITARY MINIATURE VEHICLE UPGRADE SERIES PE35241



1/35 MILITARY MINIATURE VEHICLE UPGRADE SERIES PE35241



[Http://www.voyagermodel.com/productdetails.asp?itemid=PE35241](http://www.voyagermodel.com/productdetails.asp?itemid=PE35241)



**VOYAGER  
MODEL**



更多PE35241样品照片参考请扫一扫  
**MORE PICTUER OF PE 35241  
REFERENCE SCAN HERE**

