

1:48 Scale

"Wyvern" S.4 Early Version

"飞龙" S.4(早期型)

READ BEFORE ASSEMBLY:

- This kit is not recommended for inexperienced modelers or for children under 14 years of age
- Study and understand these instructions thoroughly before beginning assembly
- When needed, remove photo-etch parts carefully using a modeling knife or photo etch sprue cutter, being careful not to damage or lose small parts.
- Take extra care in handling photo etch parts in order to avoid injury
- Apply instant cement sparingly to photo etch parts where instructed

- Tools recommended(not included in kit):Plastic and instant cements,sprue cutters,long nose pliers,,modeling knife, small files, tweezers, pin vise & scissors. Soft cloth and sandpaper will also assist in construction
- Glue and paint are not included in the kit. Use plastic cement and hobby paints only. Color guide for purchasing paint is included in the kit.
- Keep out of reach of small children. They must not be allowed to ingest small parts or handle plastic bags in any way.

装配之前仔细阅读

- 小心用模型锉刀锉平所有零件表面的注射浇口。
- 小心用刀片切下蚀刻片零件，不要遗失小零件。
- 用强力快干胶水粘合蚀刻片零件和金属轴。过量的快干胶水使用可能导致可动零件会粘住，小心涂胶。
- 取蚀刻片时应特别注意安全，防止利边划伤手指。
- 某些零件表面需贴上水贴纸，请选择在装配的同时进行。
- 推荐模型工具(自备)：胶水，水口剪刀，长咀钳，刀片，锉刀，镊子钳，钻，剪刀，瞬间快干胶。
- 软布同砂纸同时也应该是必备工具。
- 请使用塑料胶水和油漆，模型内不含。
- 谨防小孩吸吮塑料零件，或者将塑料袋套在头上，制作时应将套材远离小孩接触。
- 本产品不适合14岁以下没有经验的模型爱好者。

水贴纸的使用:

1. 从水贴纸上剪下印花;
2. 将印花放入温水中浸10秒, 然后放在干净布上.
3. 拿着印花纸板将印花移到模型上;
4. 手指蘸水将印花移到适当的位置;
5. 用软布轻压印花直至水干, 气泡消失.

DECAL APPLICATION:

1. Cut decals from sheet as needed
2. Dip the decal in warm water for about 10 seconds and then place on soft clean cloth.
3. Hold the decal backing sheet edge and gently slide the decal onto the model in its proper position.

4. While still wet, decal can be adjusted for better fit on model by dampening it gently with your finger.
5. When placed in the proper position, gently press decal down with a soft cloth until excess water and air bubbles are gone.
6. Allow decal to dry completely before handling model



使用强力胶

Cyanoacrylate glue



配重

Weight



钻孔

Make hole



切除

Cut / Remove



贴纸
Decal



锉平
File / Sand



选择
Option



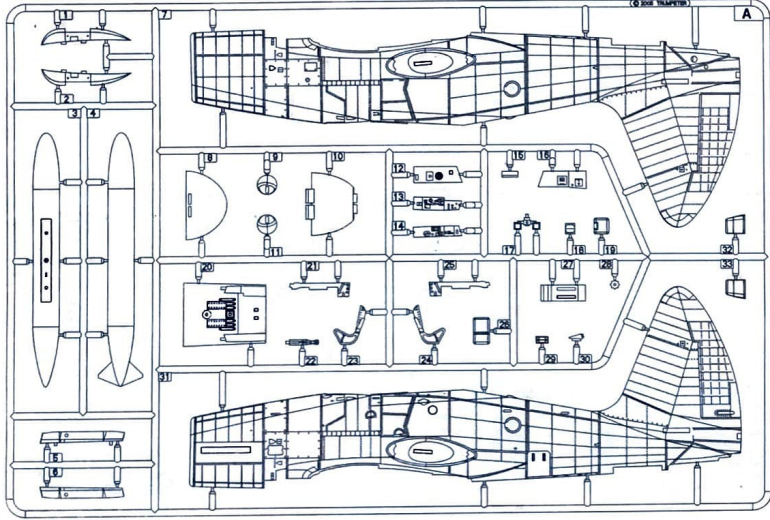
不涂胶水
No cement



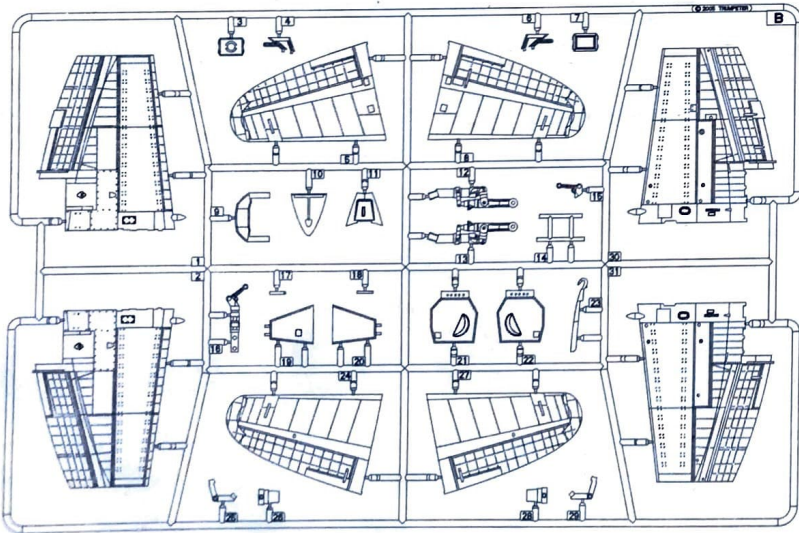
弯曲
Bend

部品图 Part

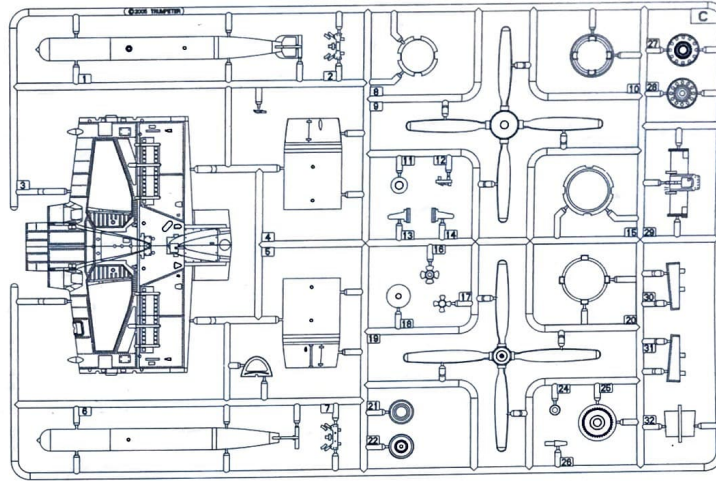
A × 1 ✓



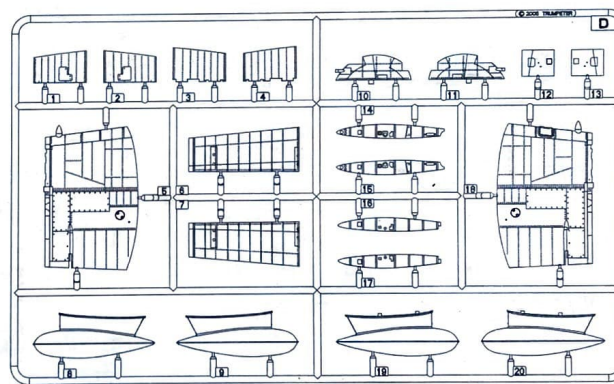
B × 1 ✓



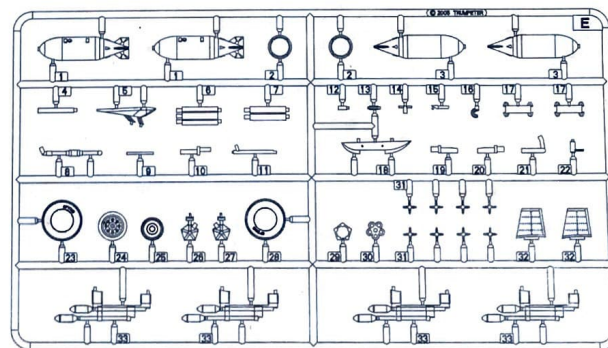
C × 1 ✓



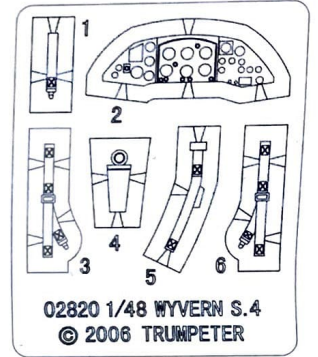
D × 1 ✓



E × 2 ✓

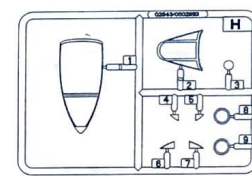


蚀刻片
Photo Etched Parts (PE) ✓

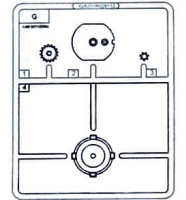


六角轴
Hexagonal shaft 2.0 × 30.0mm ✓

H × 1 ✓



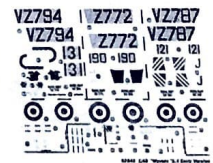
G × 1 (GEARS) ✓



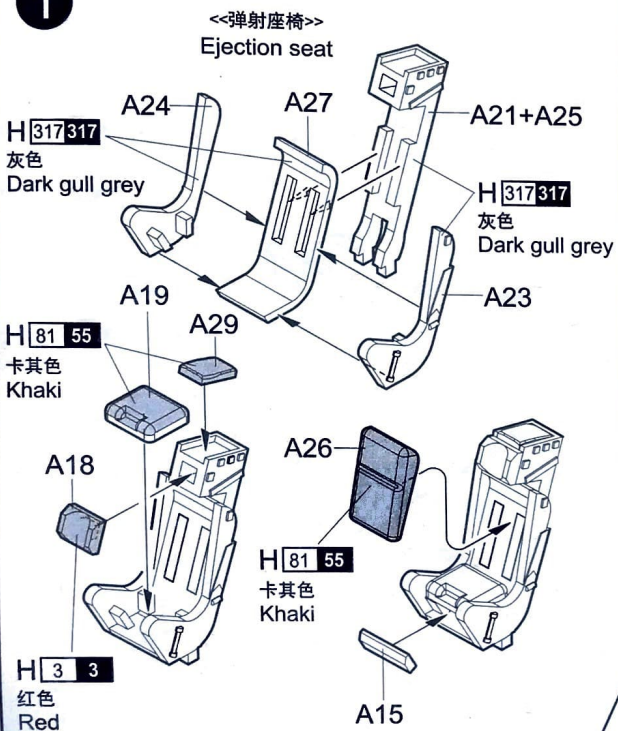
菲林片
Film



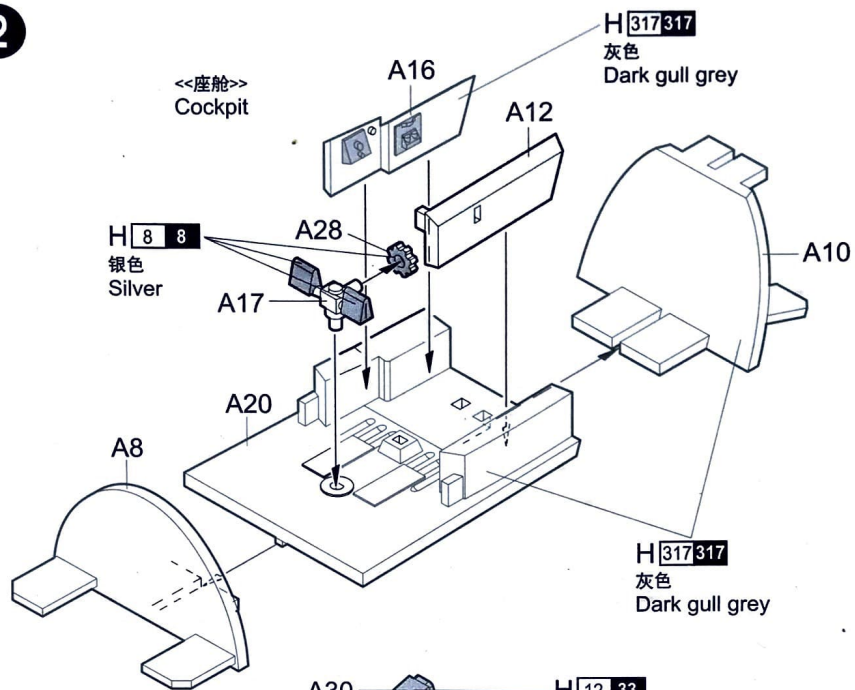
水贴纸
Decal



1

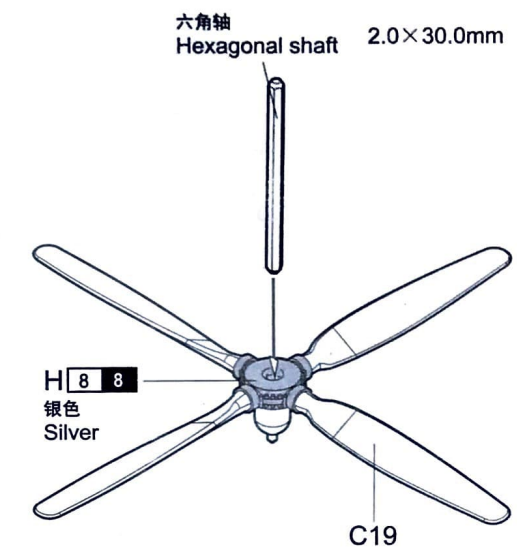


2



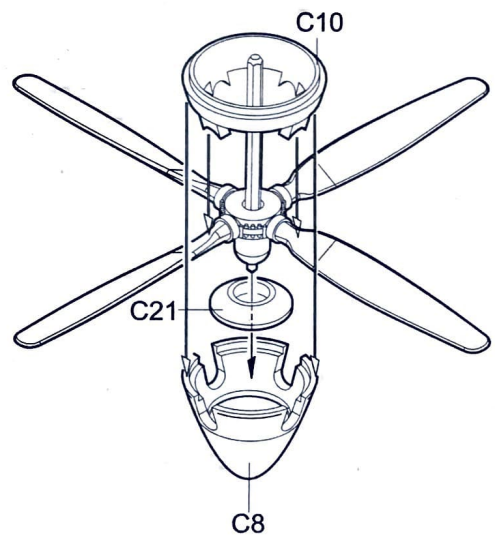
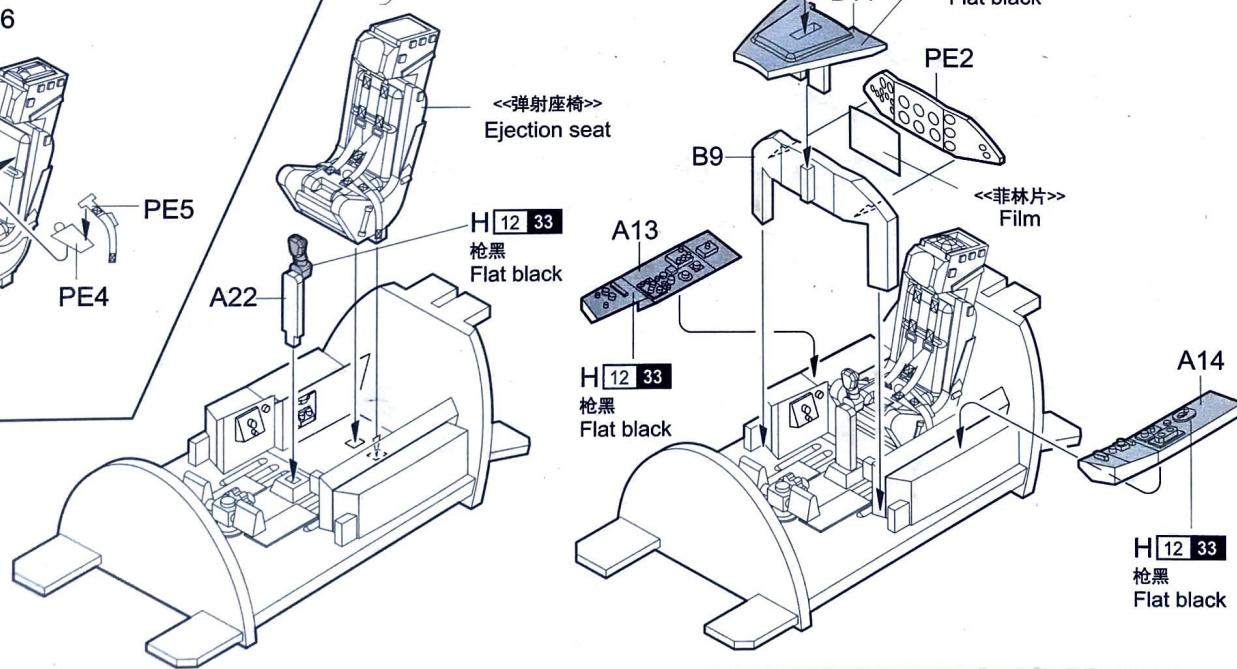
3

<<螺旋桨>>
Propeller



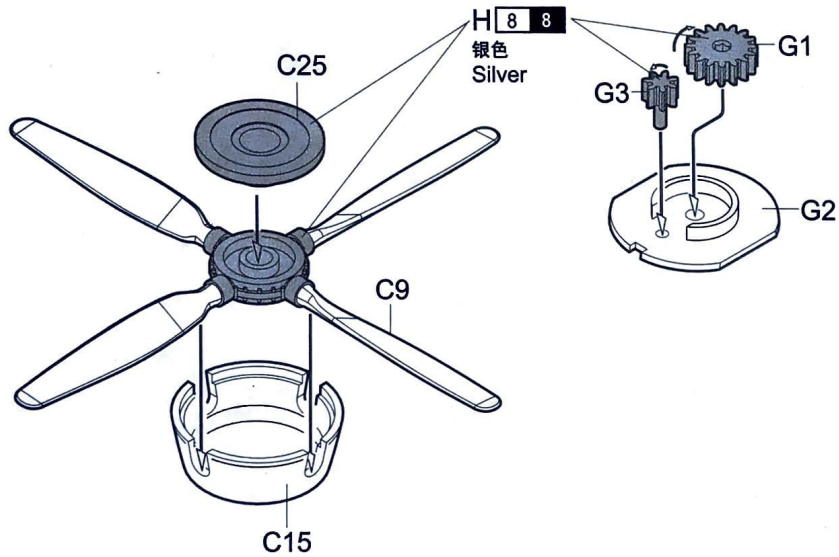
<<弹射座椅>>
Ejection seat

<<菲林片>>
Film



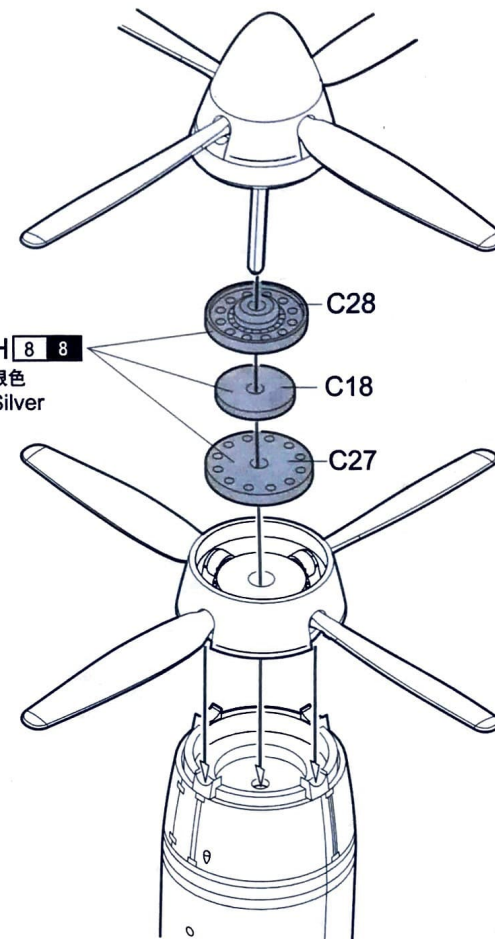
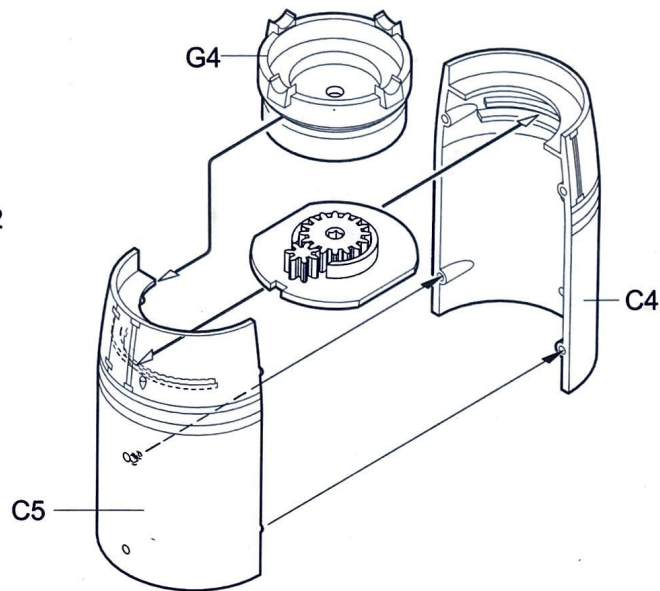
4

<<螺旋桨>>
Propeller



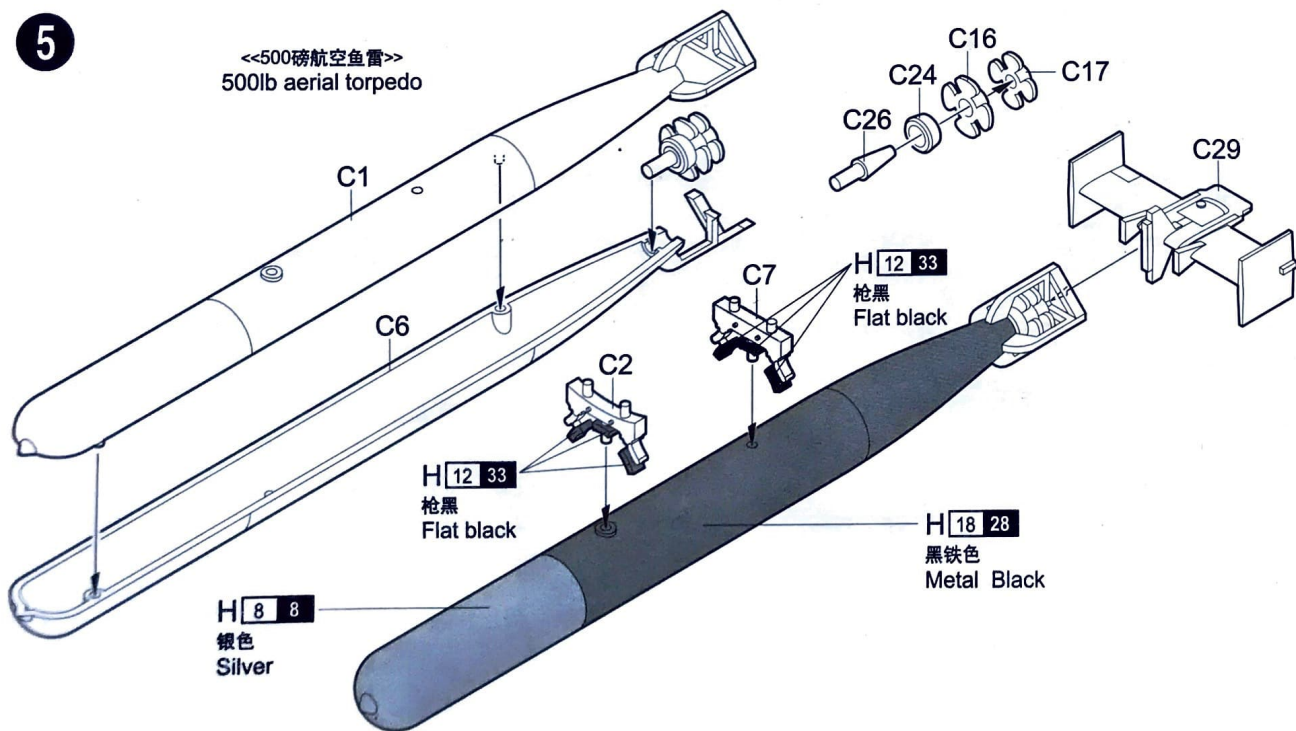
2

不安装齿轮时, 请选择C20
Use C20 in place of G4
when not attaching gears



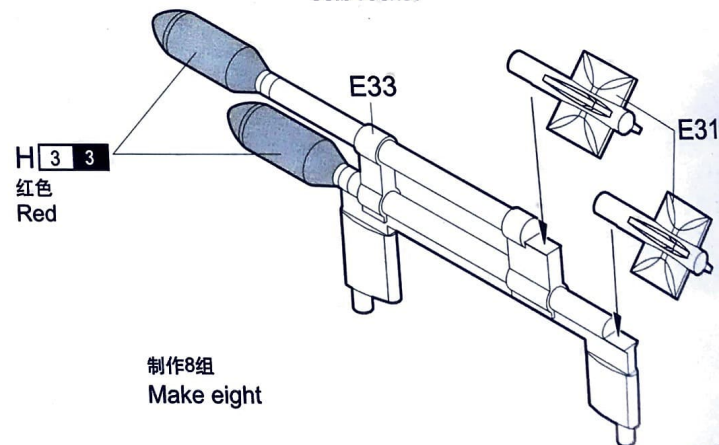
5

<<500磅航空鱼雷>>
500lb aerial torpedo

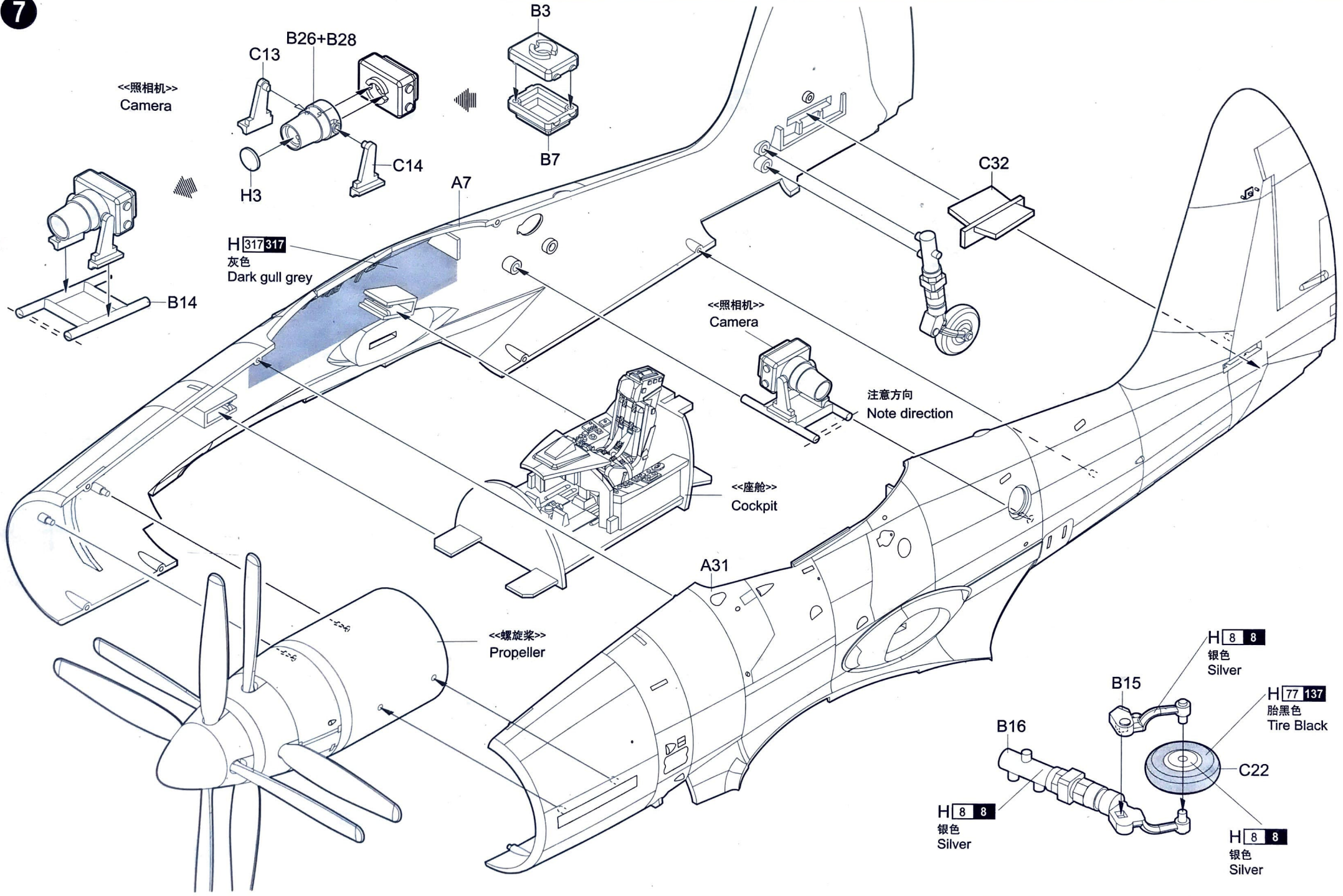


6

<<60磅火箭弹>>
60lb rocket

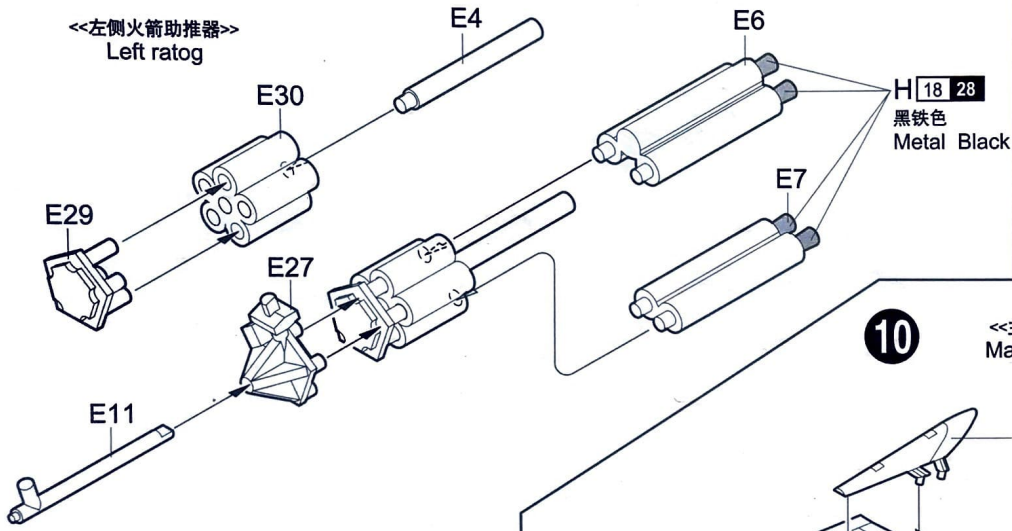


制作8组
Make eight



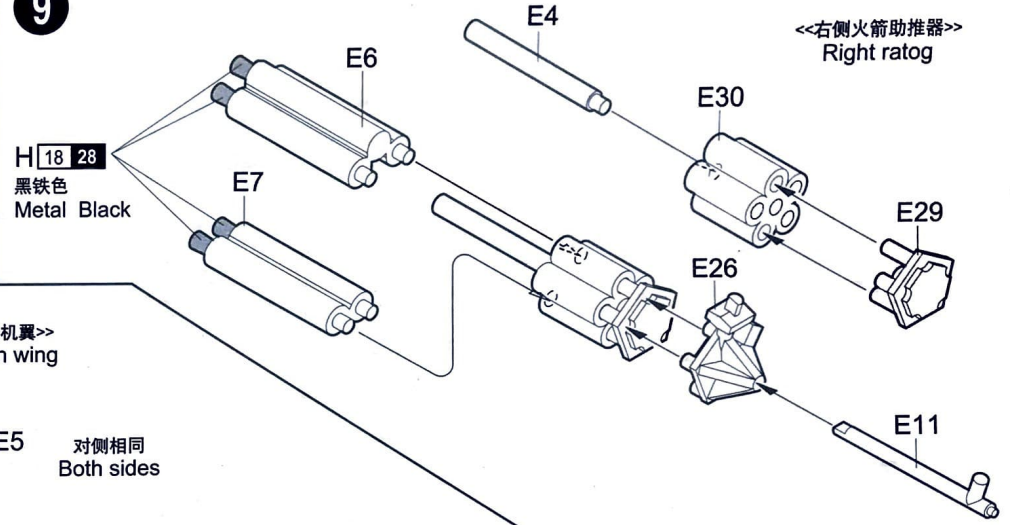
8

<<左侧火箭助推器>>
Left ratog



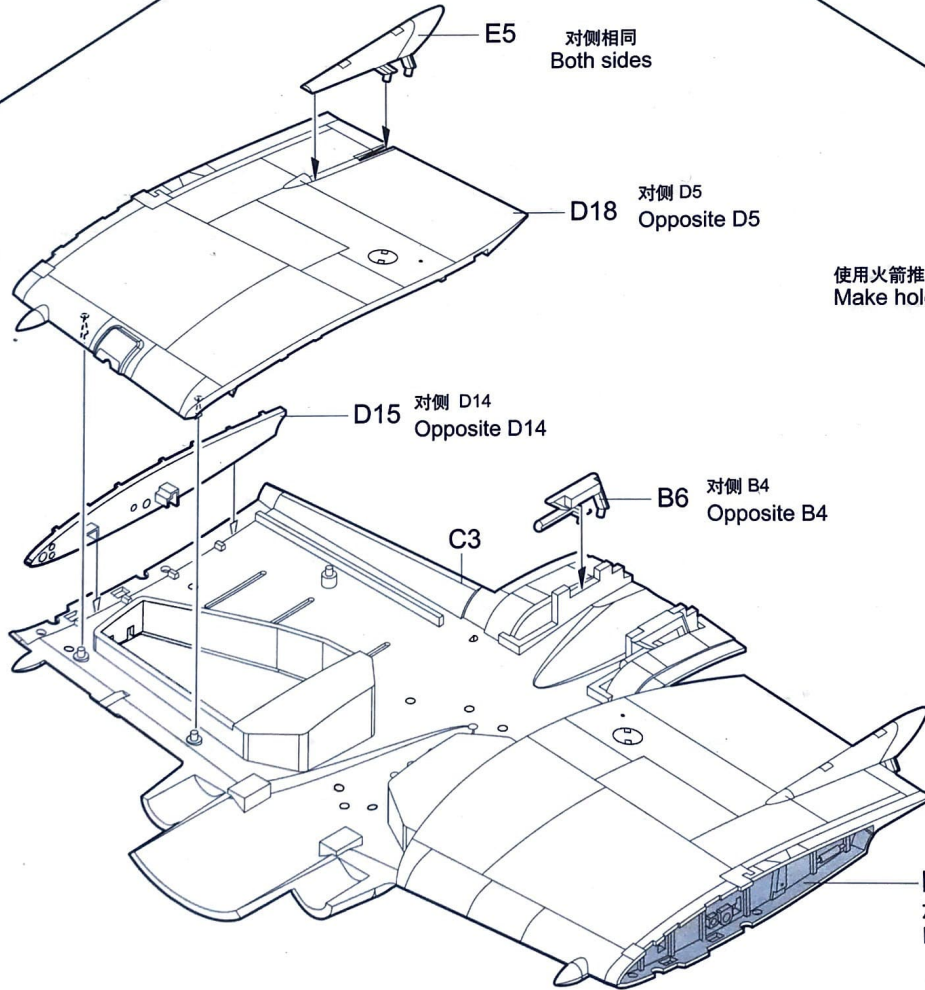
9

<<右侧火箭助推器>>
Right ratog



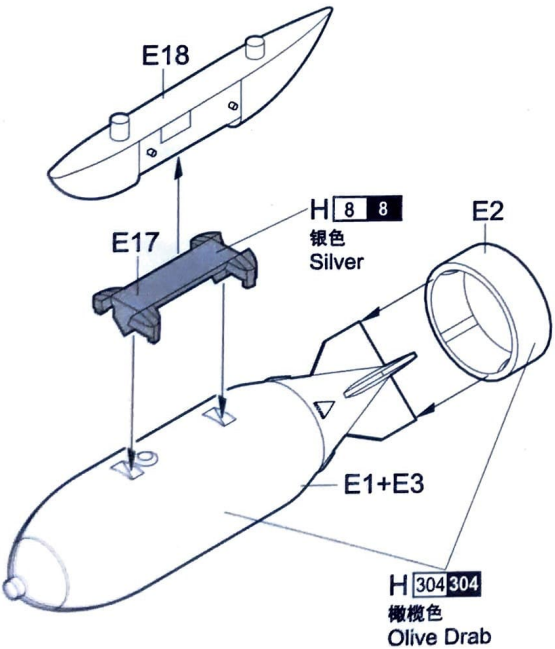
10

<<主机翼>>
Main wing



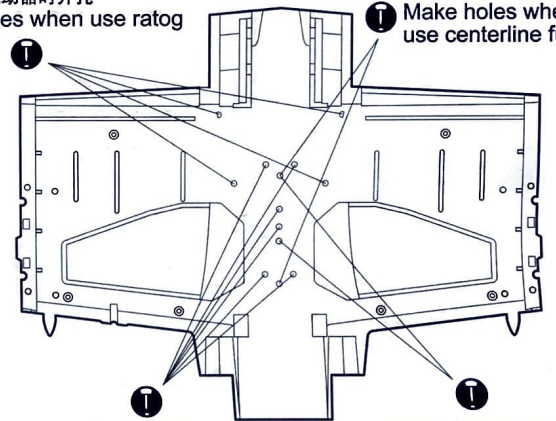
11

<<中部1000磅炸弹>>
Mid 1000lb bomb



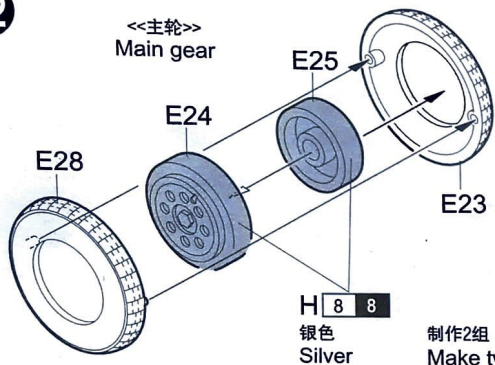
使用火箭助推器时开孔
Make holes when use ratog

安装中心副油箱时开孔
Make holes when use centerline fuel tank



12

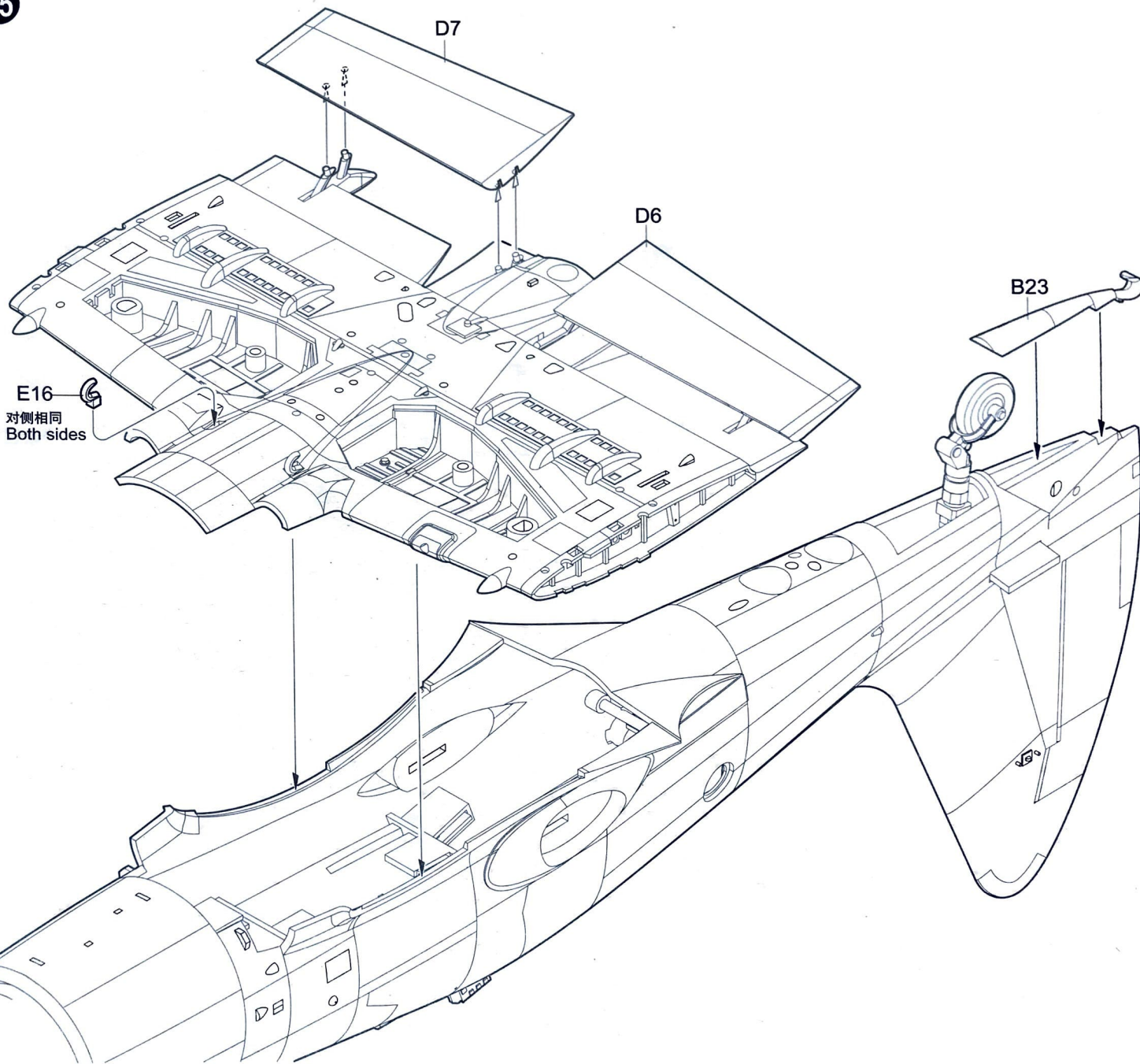
<<主轮>>
Main gear



H 8 8
银色
Silver

制作2组
Make two

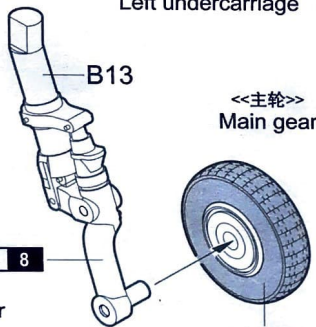
15



E16
对侧相同
Both sides

13

<<左侧主起落架>>
Left undercarriage



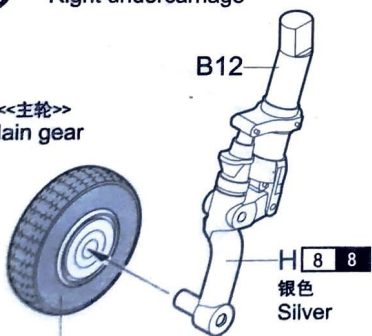
H 8 8
银色
Silver

<<主轮>>
Main gear

H 77 137
胎黑色
Tire Black

14

<<右侧主起落架>>
Right undercarriage



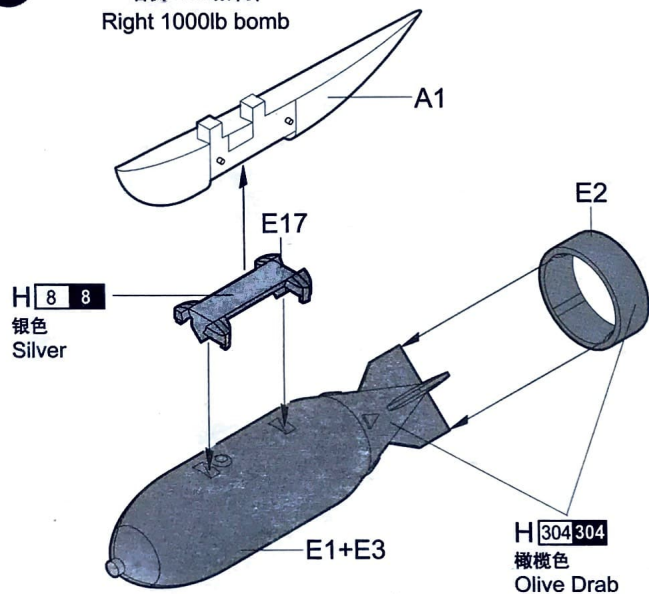
<<主轮>>
Main gear

H 8 8
银色
Silver

H 77 137
胎黑色
Tire Black

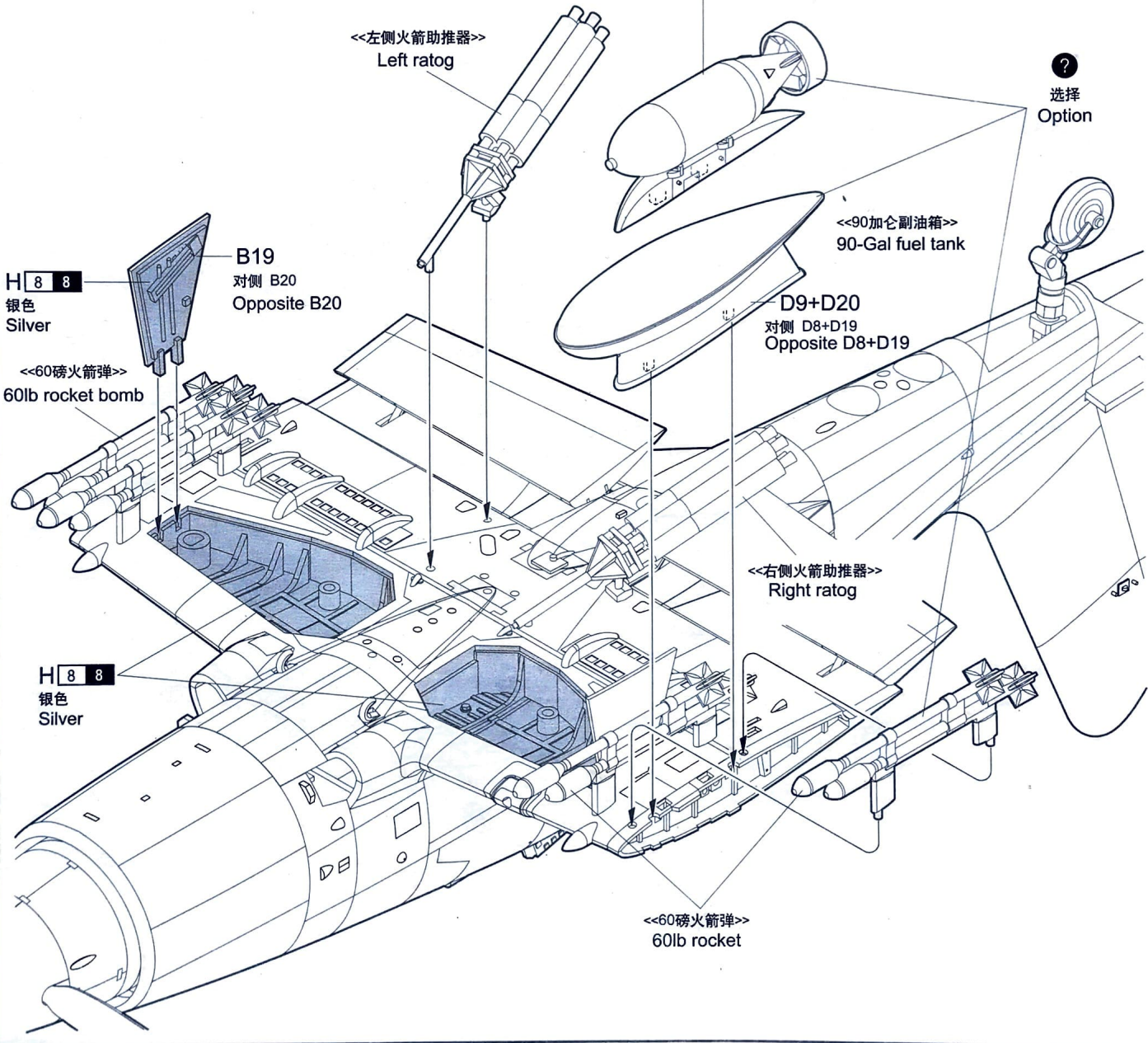
16

<<右侧1000磅炸弹>>
Right 1000lb bomb



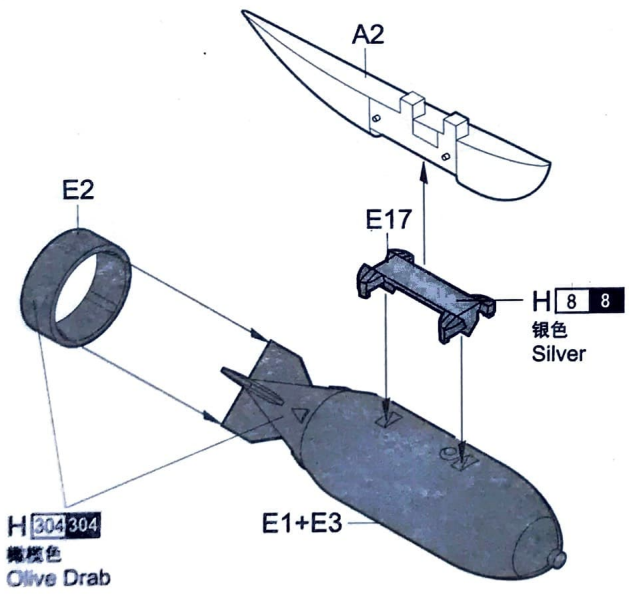
18

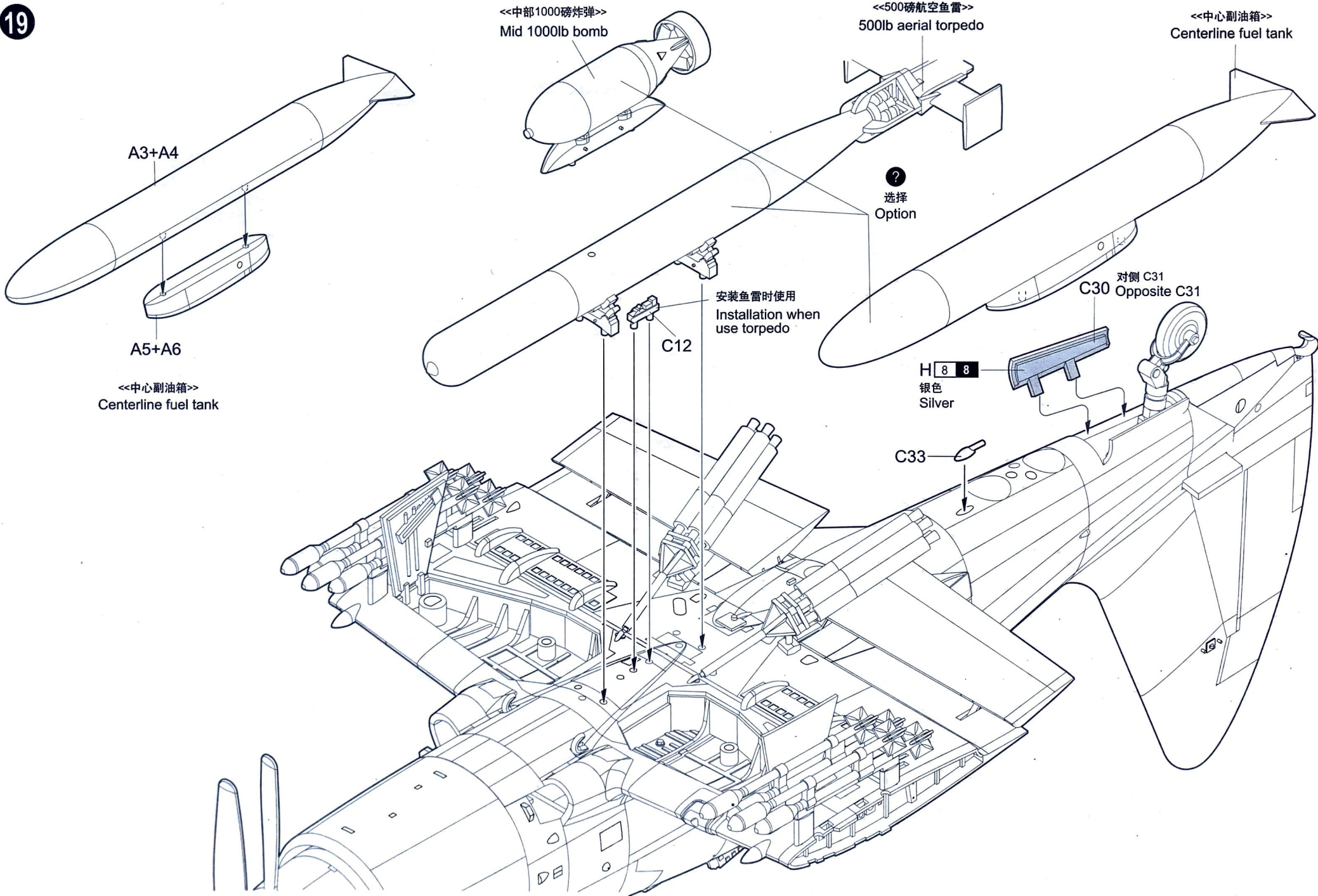
<<右侧1000磅炸弹>> Right 1000lb bomb
对侧 <<左侧1000磅炸弹>> Opposite Right 1000lb bomb

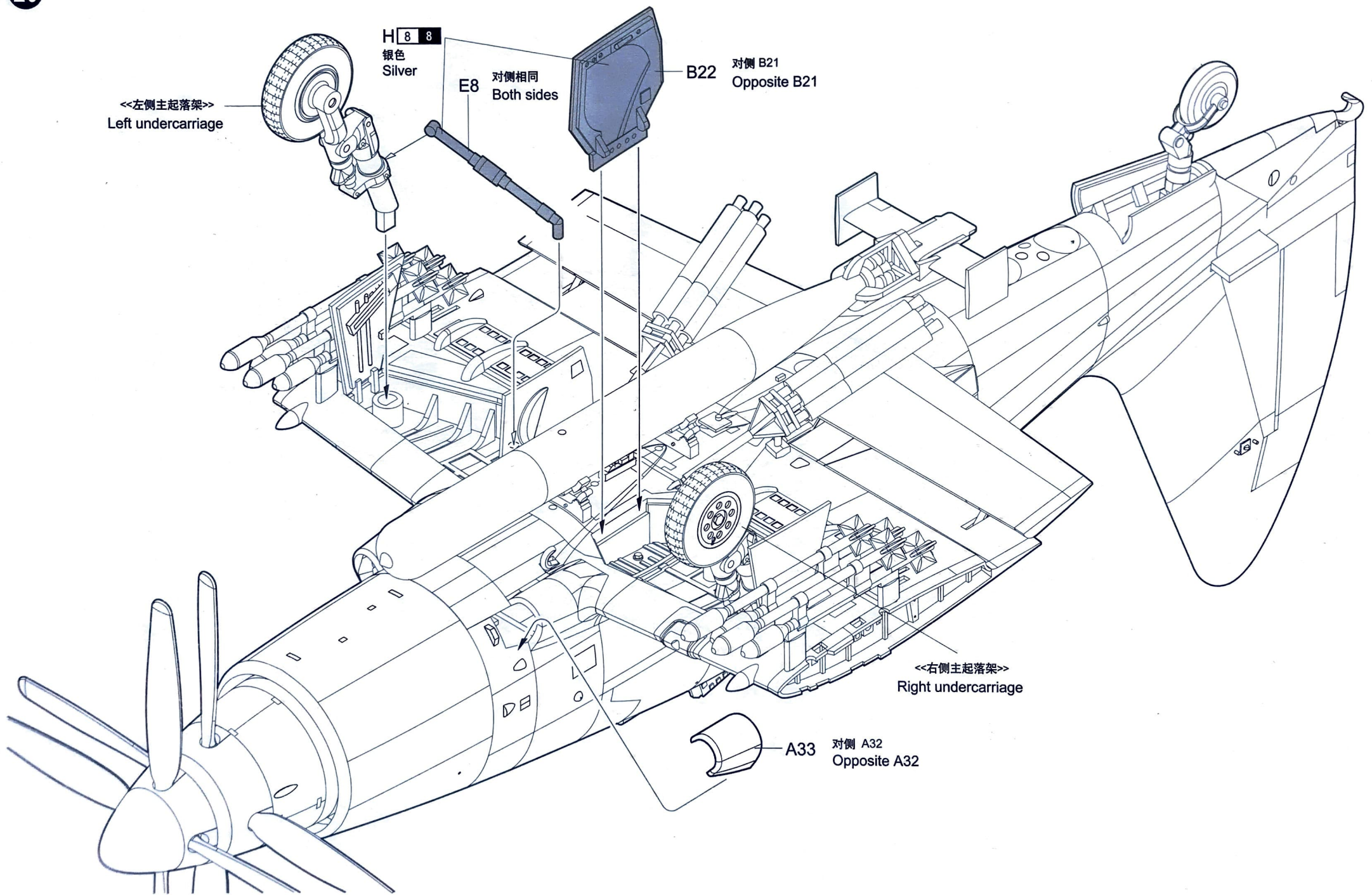


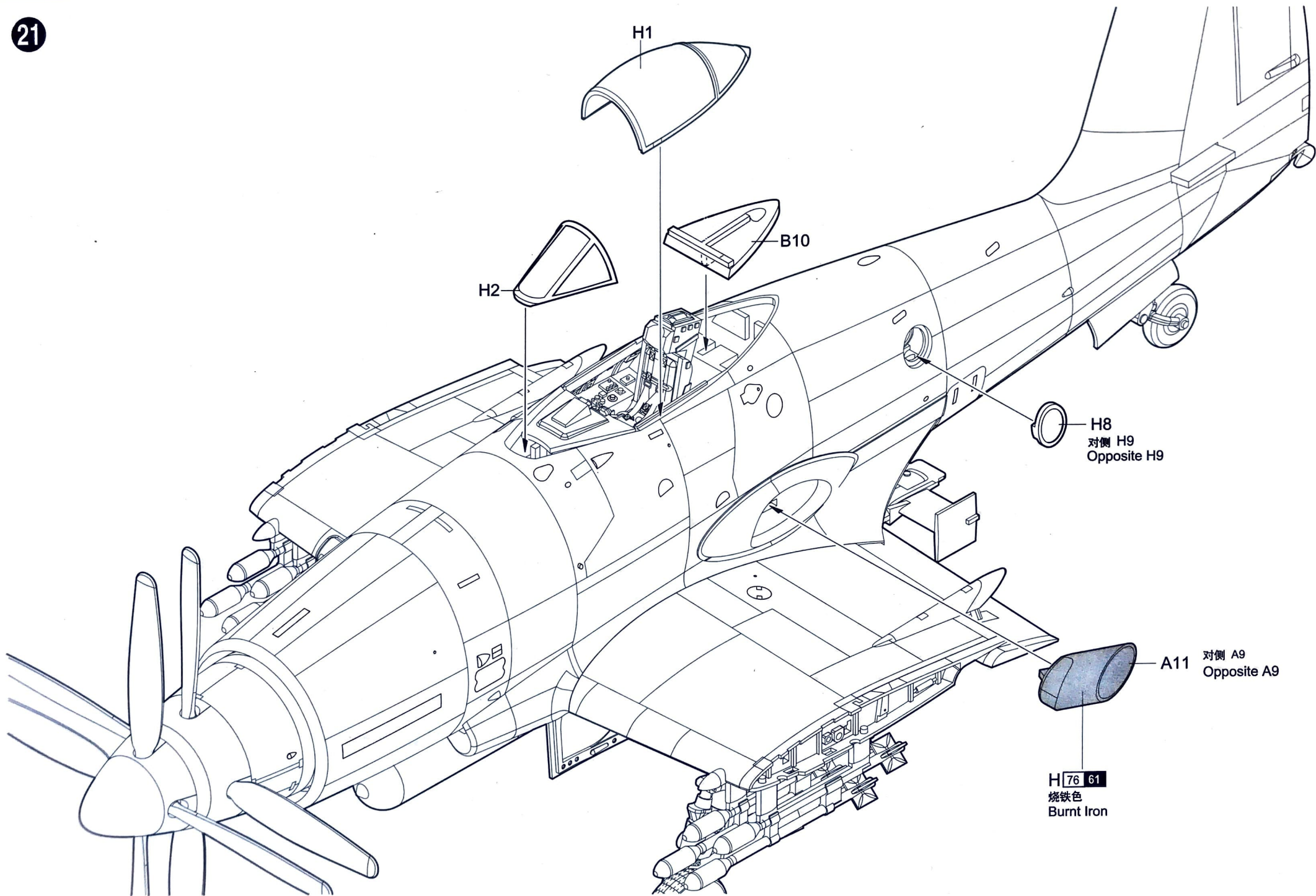
17

<<左侧1000磅炸弹>>
Left 1000lb bomb









H1

H2

B10

H8

对侧 H9
Opposite H9

A11

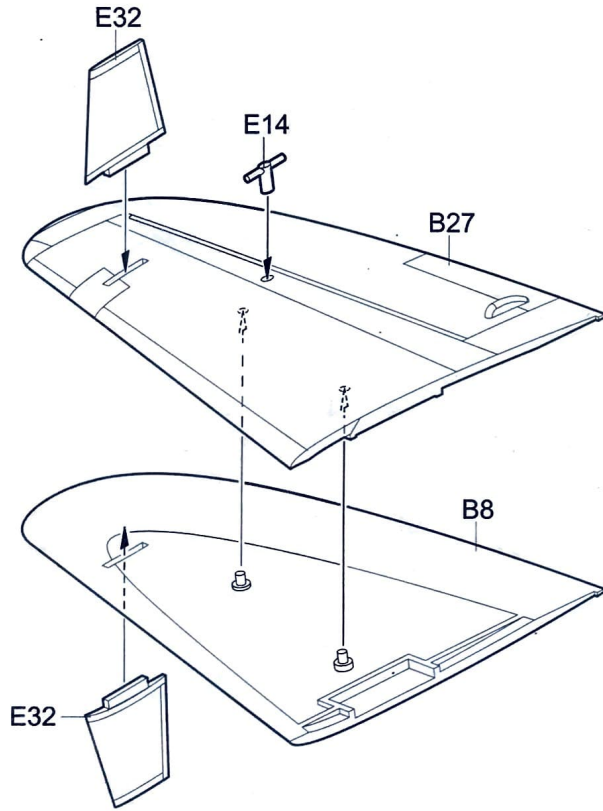
对侧 A9
Opposite A9

H 76 61

烧铁色
Burnt Iron

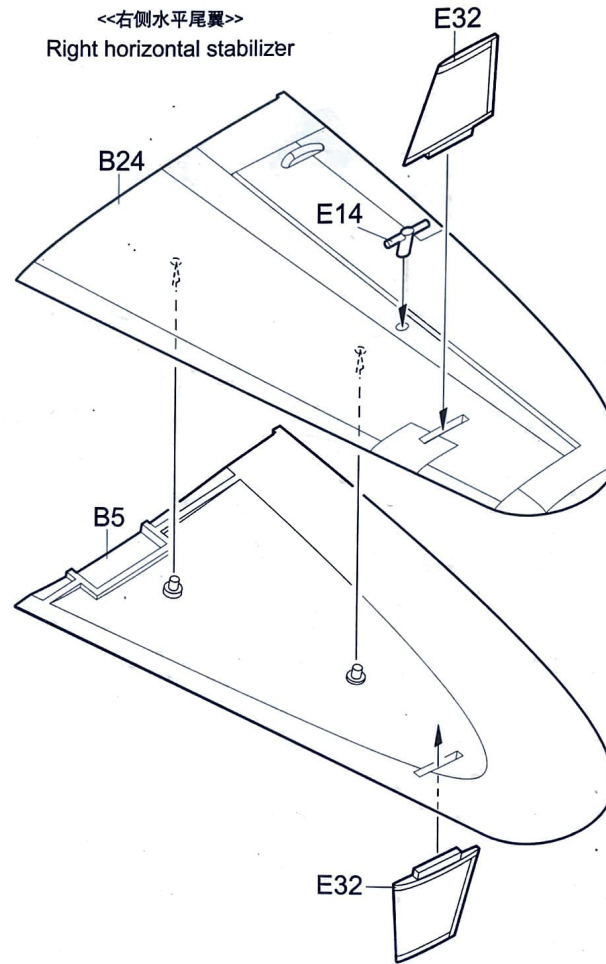
22

<<左侧水平尾翼>>
Left horizontal stabilizer



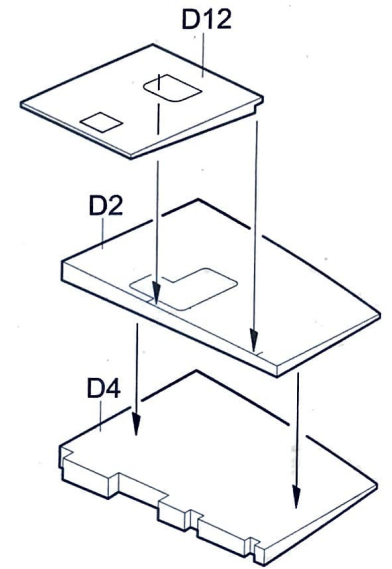
24

<<右侧水平尾翼>>
Right horizontal stabilizer



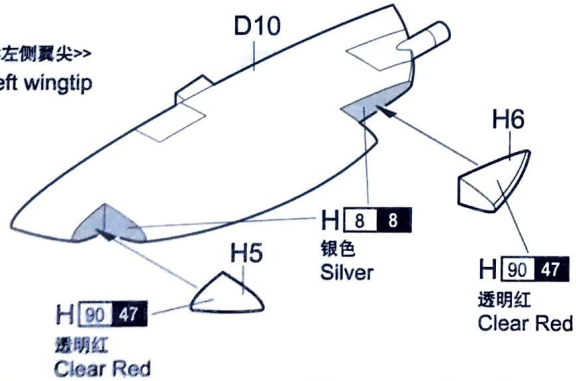
26

<<左侧减速板>>
Left airbrake



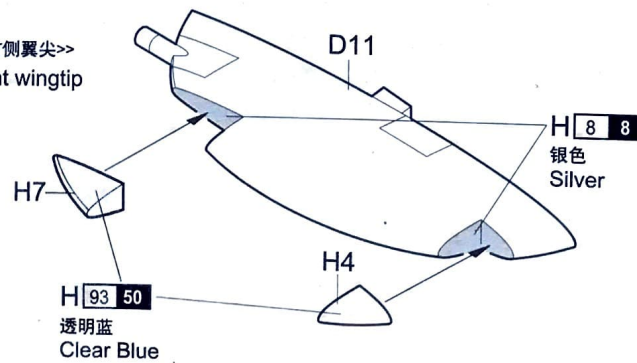
23

<<左侧翼尖>>
Left wingtip



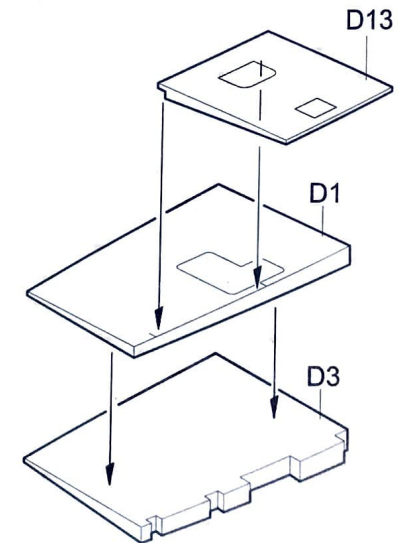
25

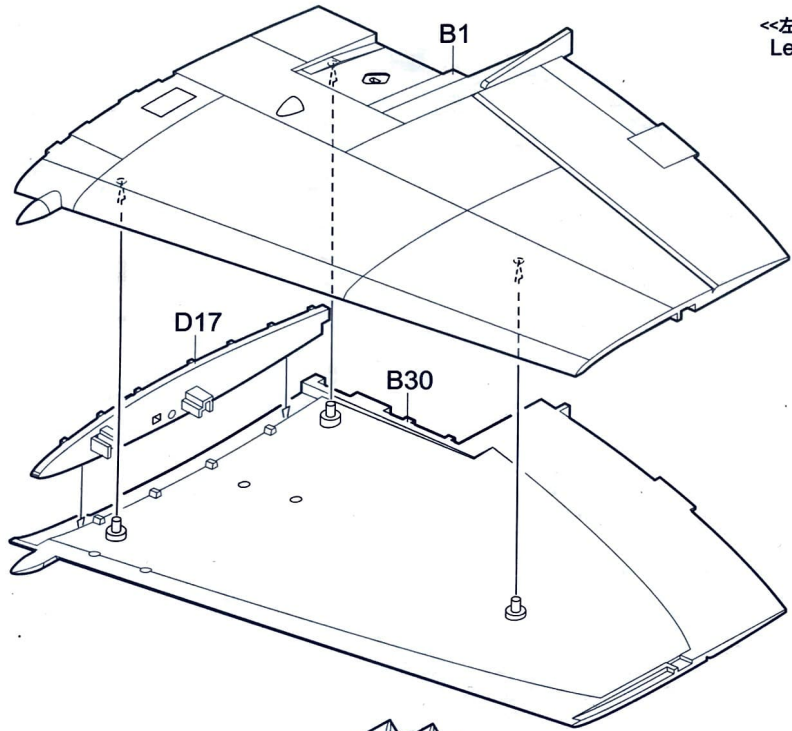
<<右侧翼尖>>
Right wingtip



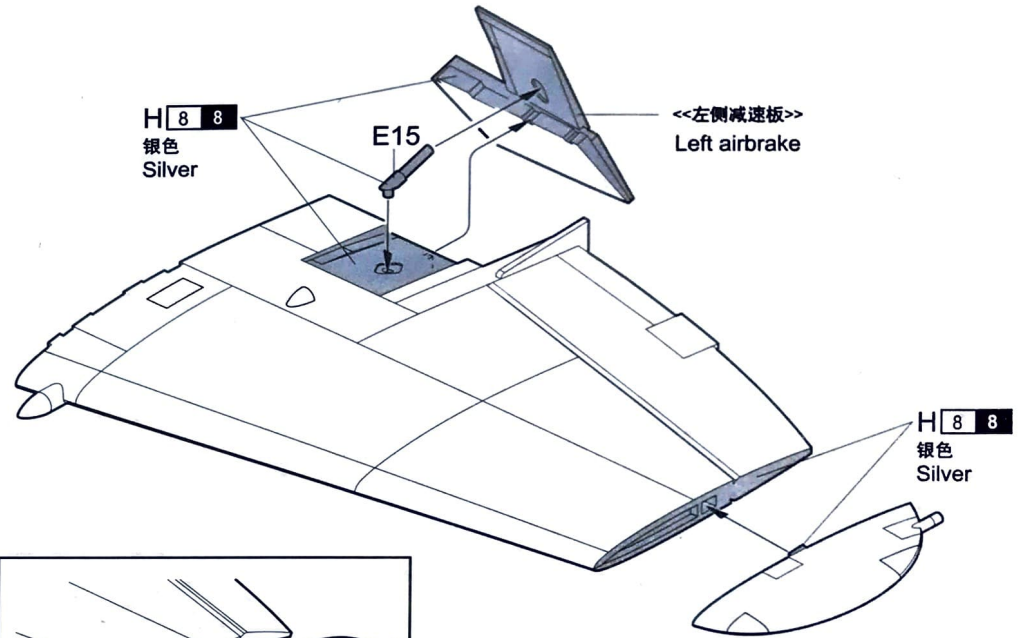
27

<<右侧减速板>>
Right airbrake

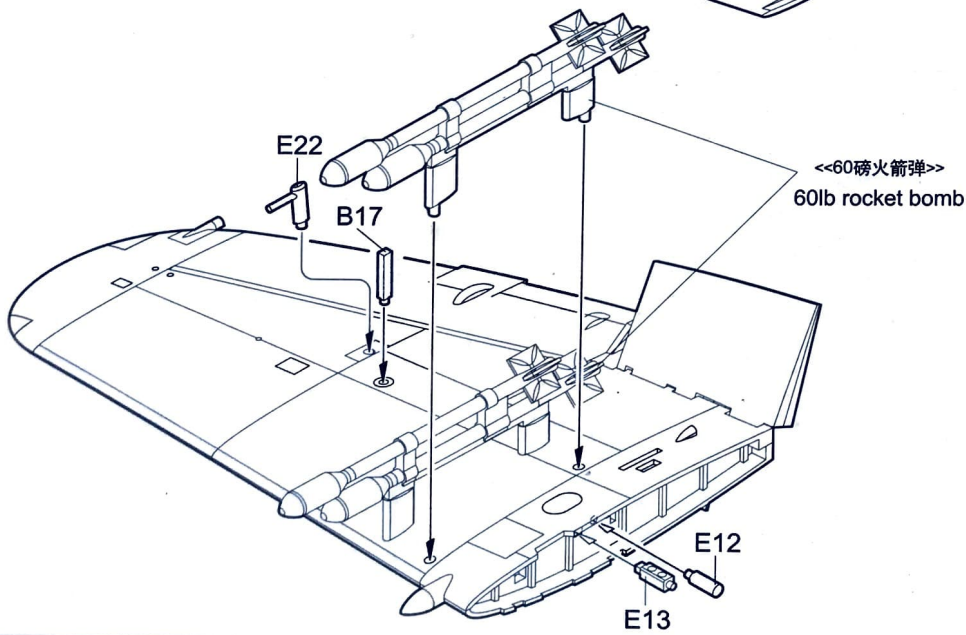
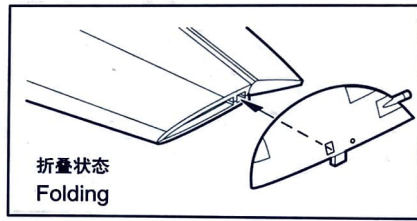




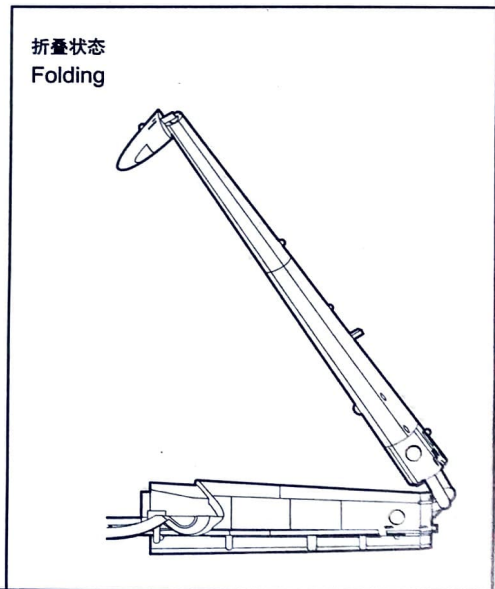
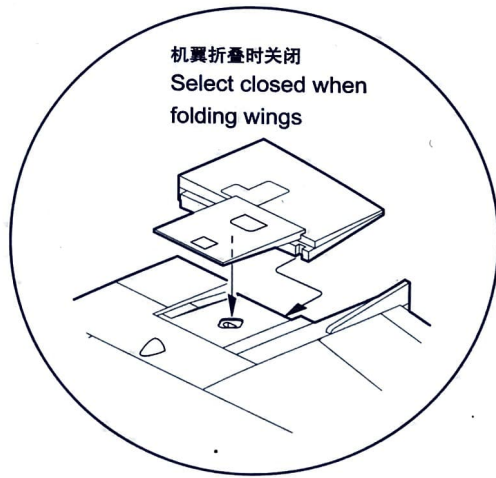
<<左侧机翼>>
Left wing



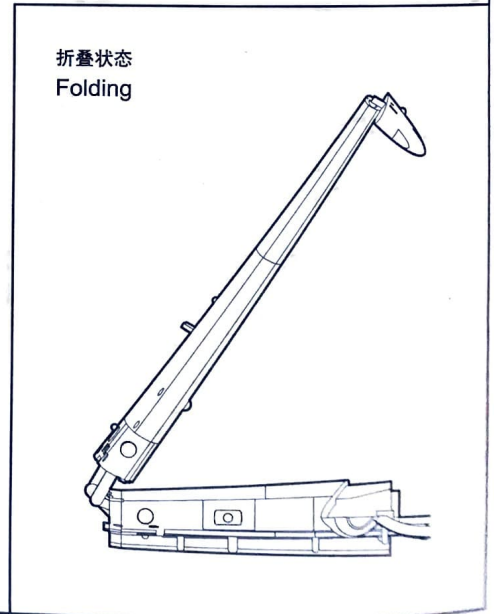
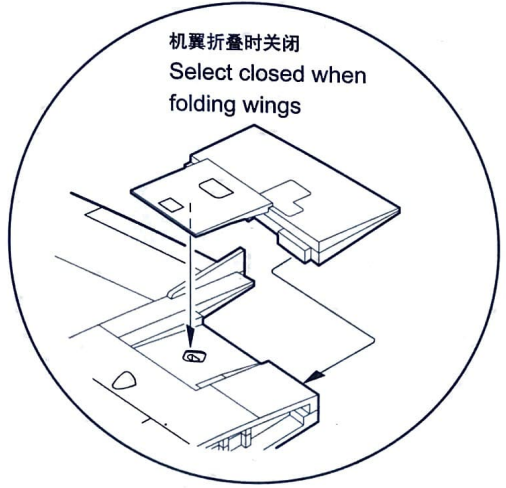
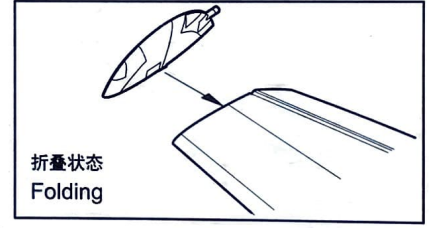
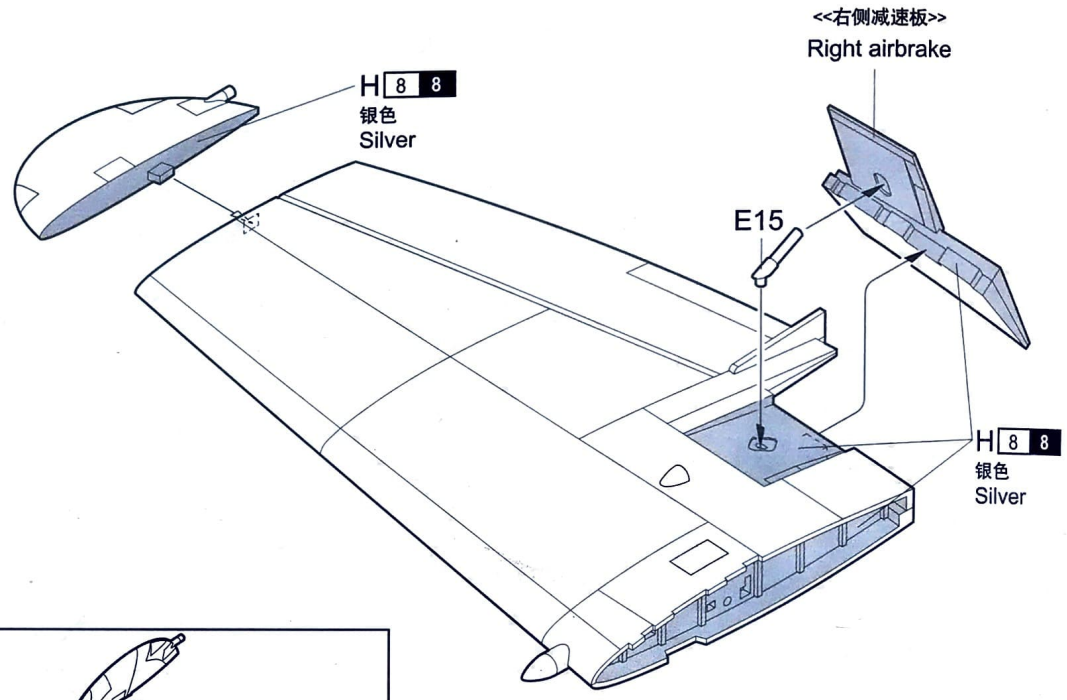
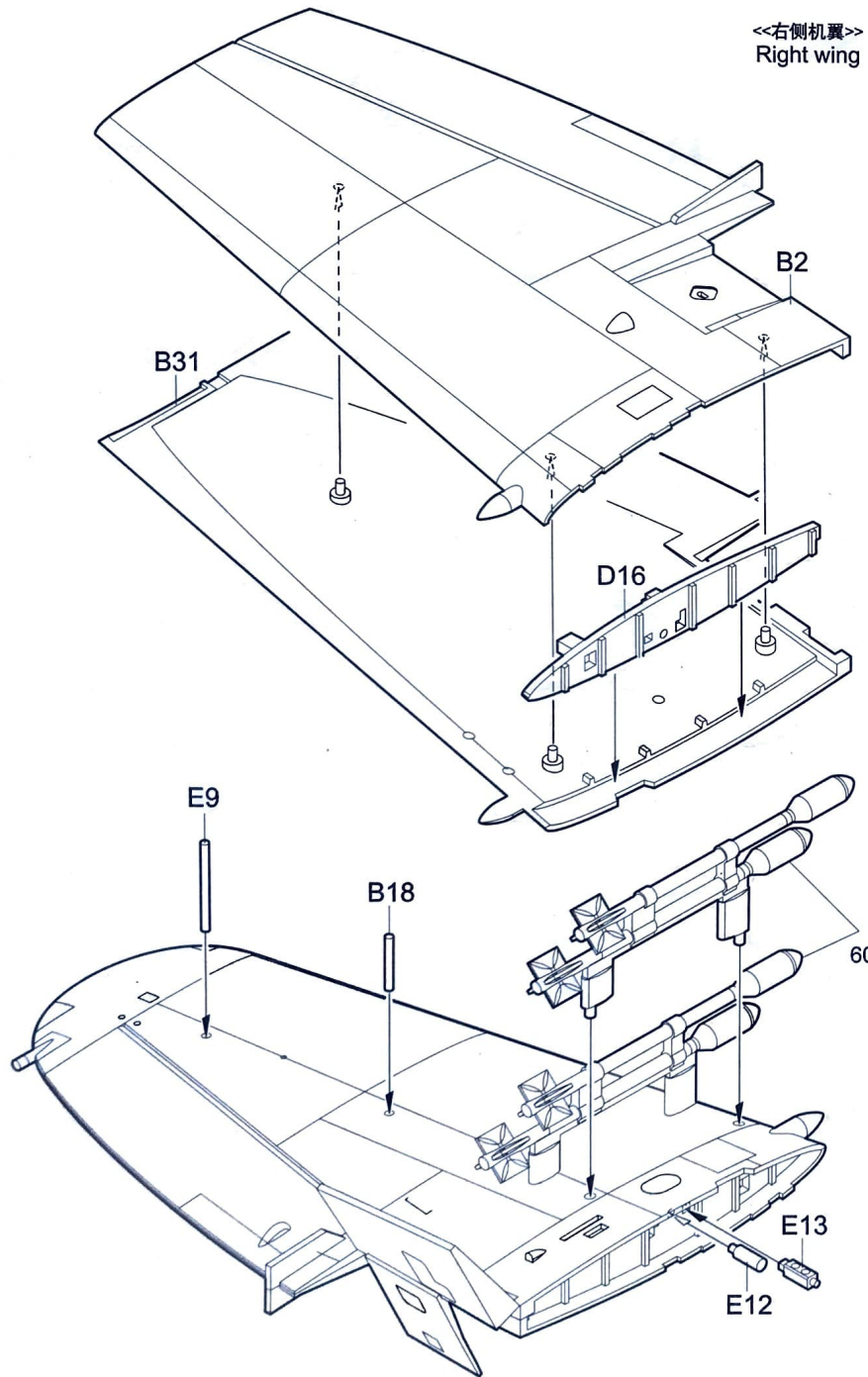
<<左侧减速板>>
Left airbrake

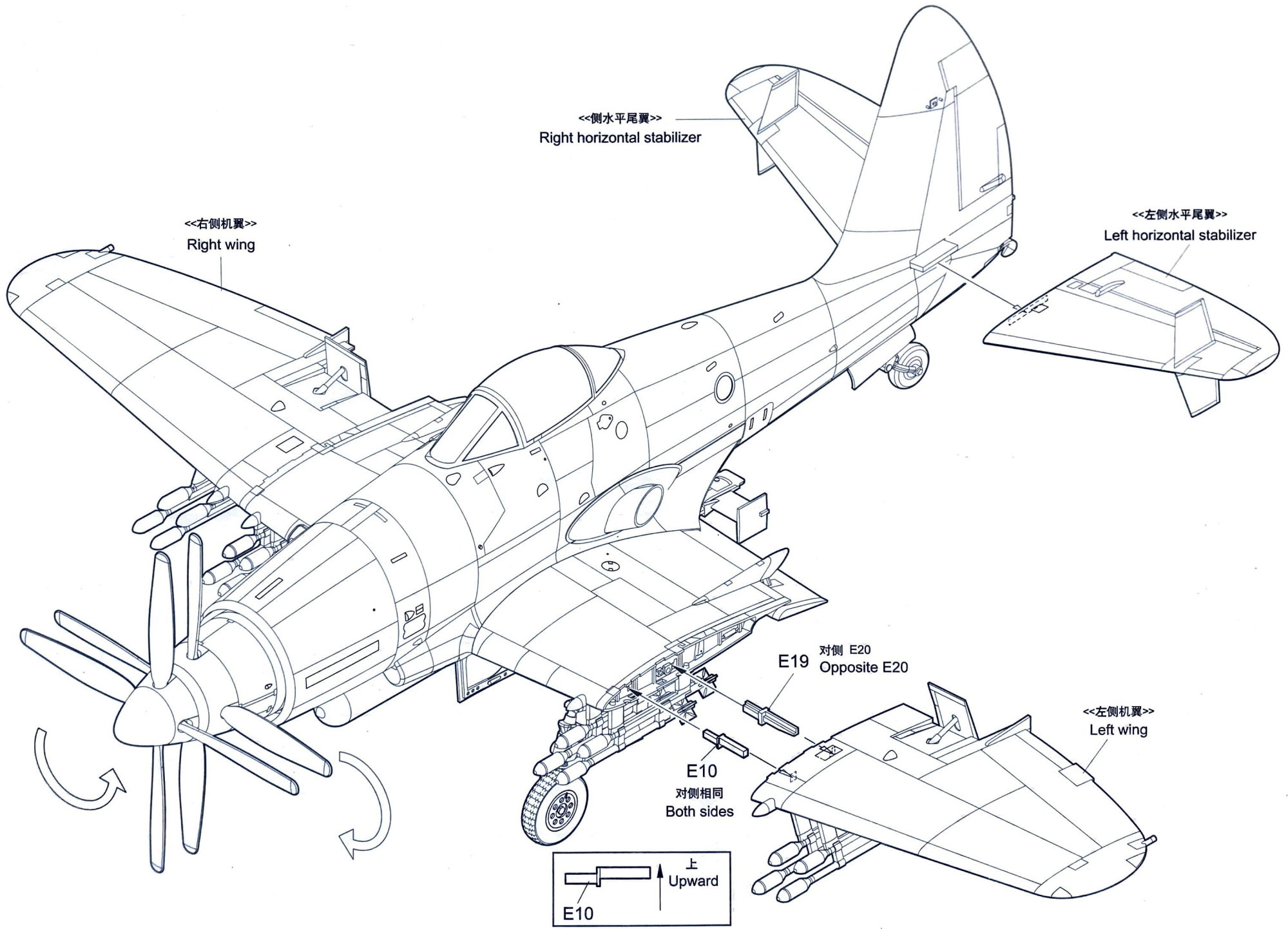


<<60磅火箭弹>>
60lb rocket bomb



折叠状态
Folding

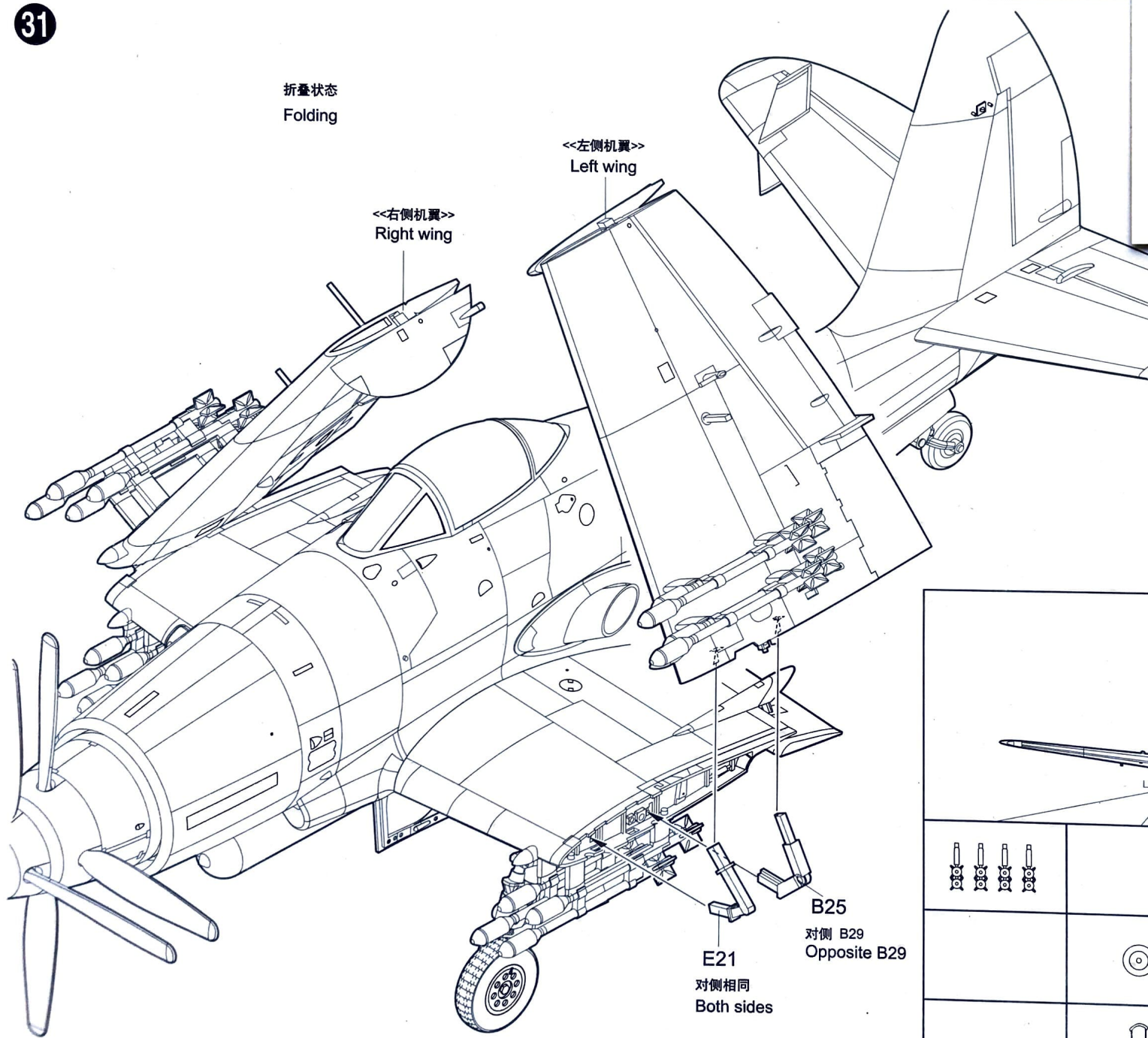




折叠状态
Folding

<<右侧机翼>>
Right wing

<<左侧机翼>>
Left wing

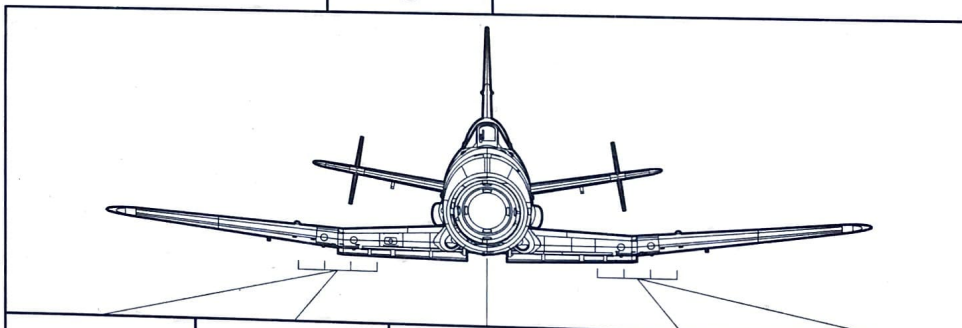


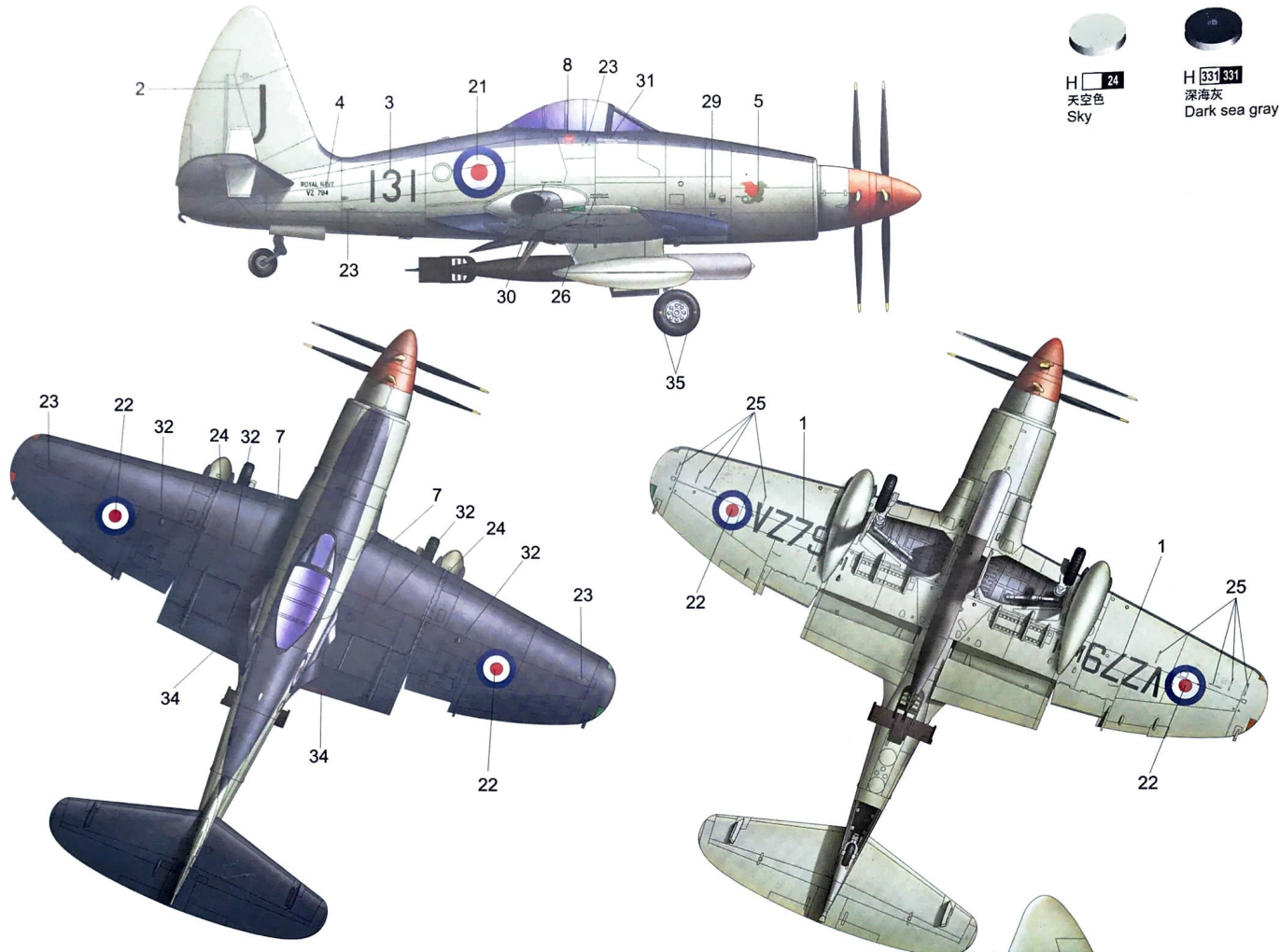
E21
对侧相同
Both sides

B25
对侧 B29
Opposite B29

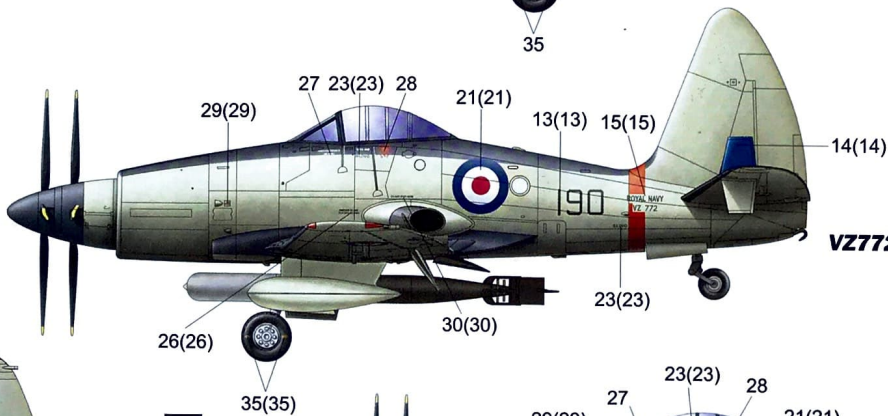
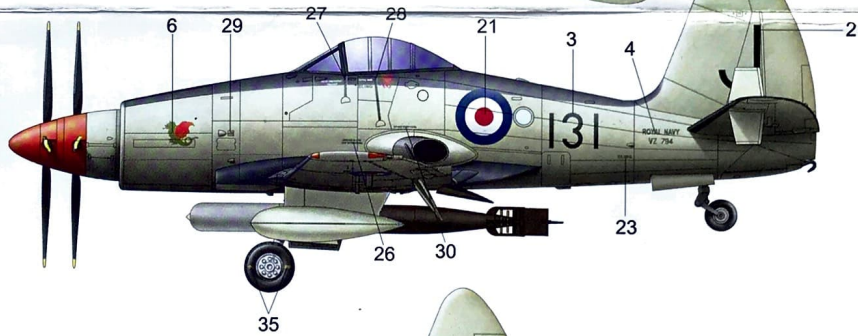
EXTERNAL STORE VARIANTS

	1000lb MC bomb
	60lb RP
	90-Gal fuel tank
	18" Torpedo MK.15/MK.17
	Centerline fuel tank

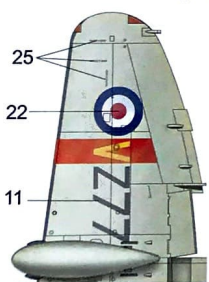




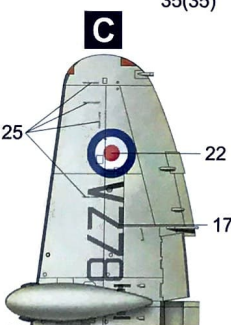
A
VZ794 No.827 NAS HMS Eagle 1955.



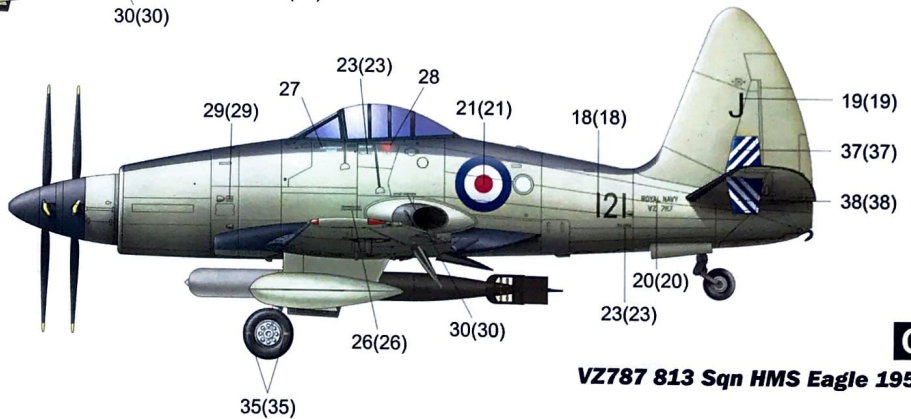
B
VZ772 No.827 NAS HMS Peregrine 1953



B



C



C
VZ787 813 Sqn HMS Eagle 1955

VZ794

① VZ794

② ③ 131

④ ROYAL NAVY VZ 794
⑤ ⑥ ⑦ ⑧ ⑨ ⑩

Z772

⑪ Z772

⑬ 190

⑫ ⑭ ROYAL NAVY VZ 772
⑮ ROYAL NAVY VZ 772

VZ787

⑰ VZ787

⑱ 121

⑲ ⑳ ROYAL NAVY VZ 787
㉑ ROYAL NAVY VZ 787



02843 1/48 "Wyvern" S.4 Early Version

