

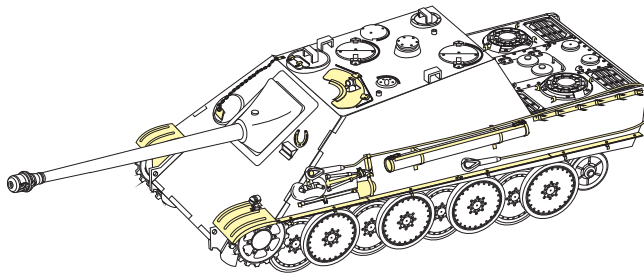
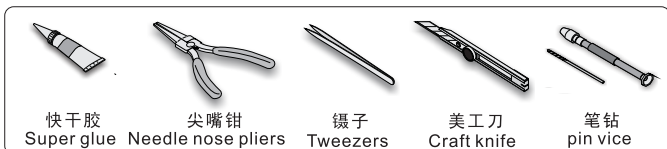
1/35 MILITARY MINIATURE VEHICLE UPGRADE SERIES PE35229

WWII Jagdpanther G1 Early Version

二战德军猎豹歼击车G1早期型改造件

[For DRAGON 6458/6494]

推荐使用工具 RECOMMENDED TOOLS

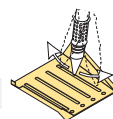


- 安装
install
- 折叠
bend
- A1**
改造件零件编号
PE/resin part number
- B12**
原零件编号
kit part number
- C22**
被替换的原零件编号
replaced kit part number
- 另一侧相同制作
repeat on opposite side
- 切除
remove
- 打磨
grind off
- 弧度卷曲
radial bending
- x2**
制作若干组
multiple assembly
- 选择安装
alternative
- 钻孔
drill
- 用胶棒制作
make from plastic rod

用尖端在凹槽处冲压
use penpoint to press on the dent

蚀刻片零件内侧面向上
Put the part upside down

用笔尖在凹槽处
Use penpoint to press on the dent



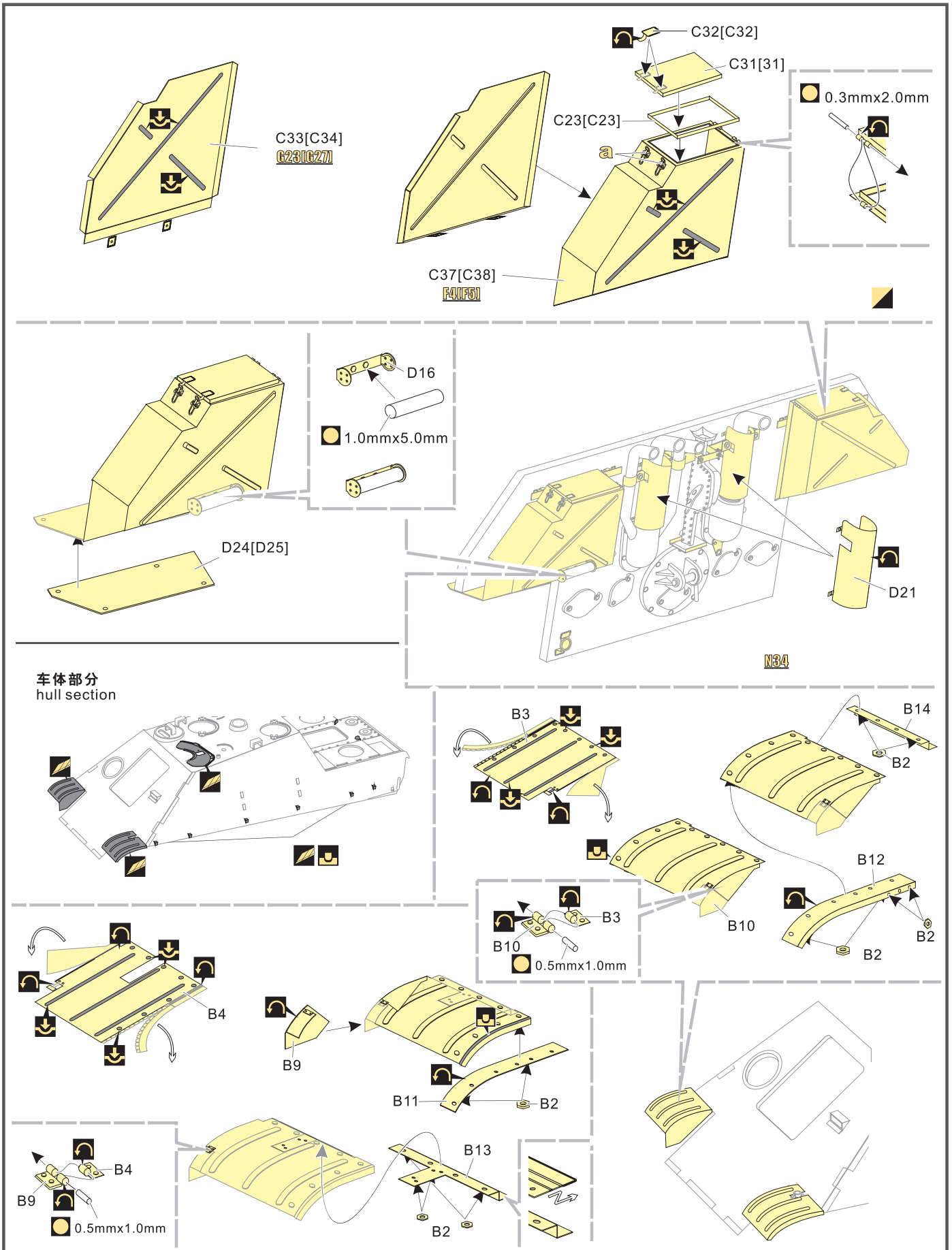
车尾部分的制作

Assembly of rear hull

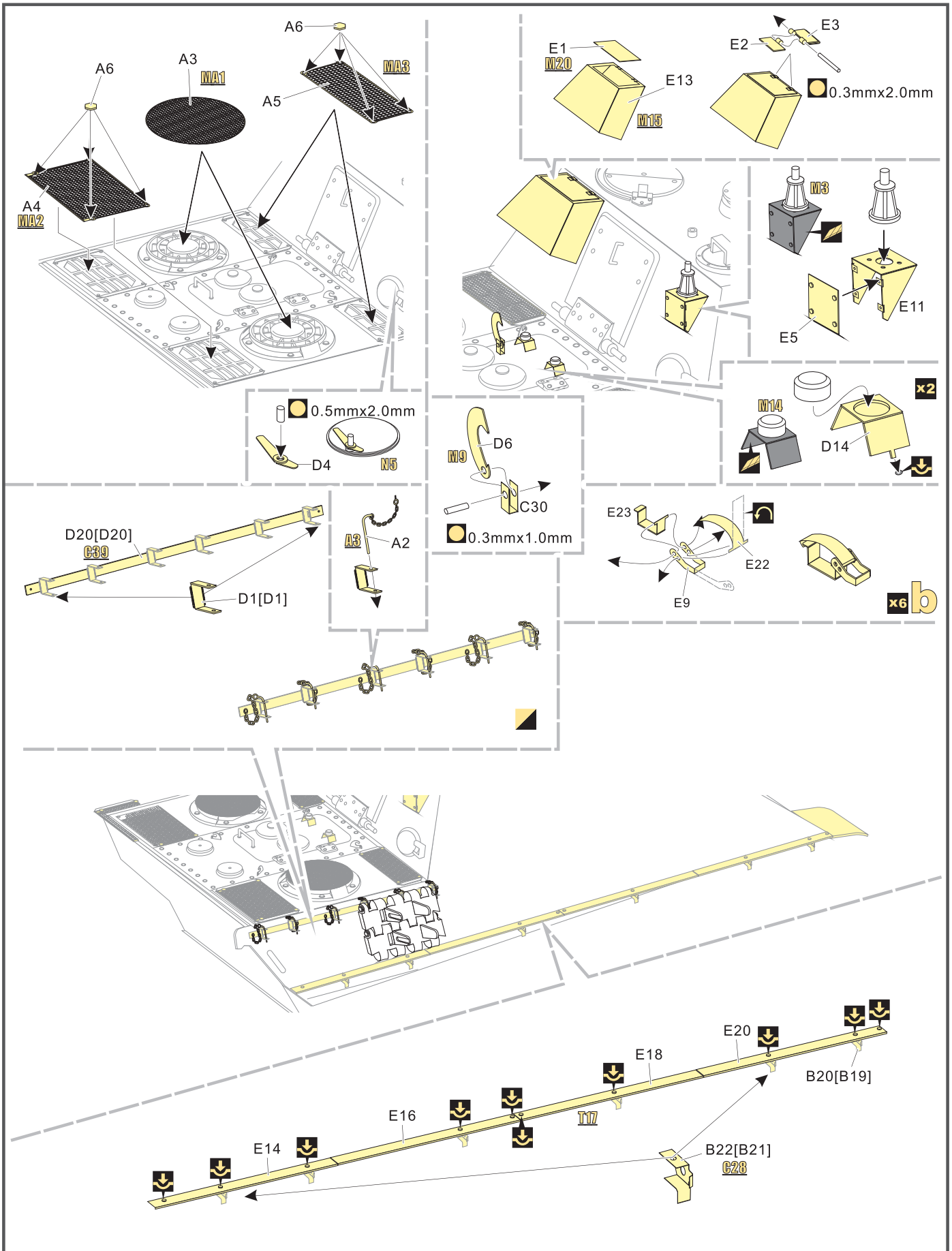
Q3, Q4, M24, M23, M6

0.5mmx3.0mm

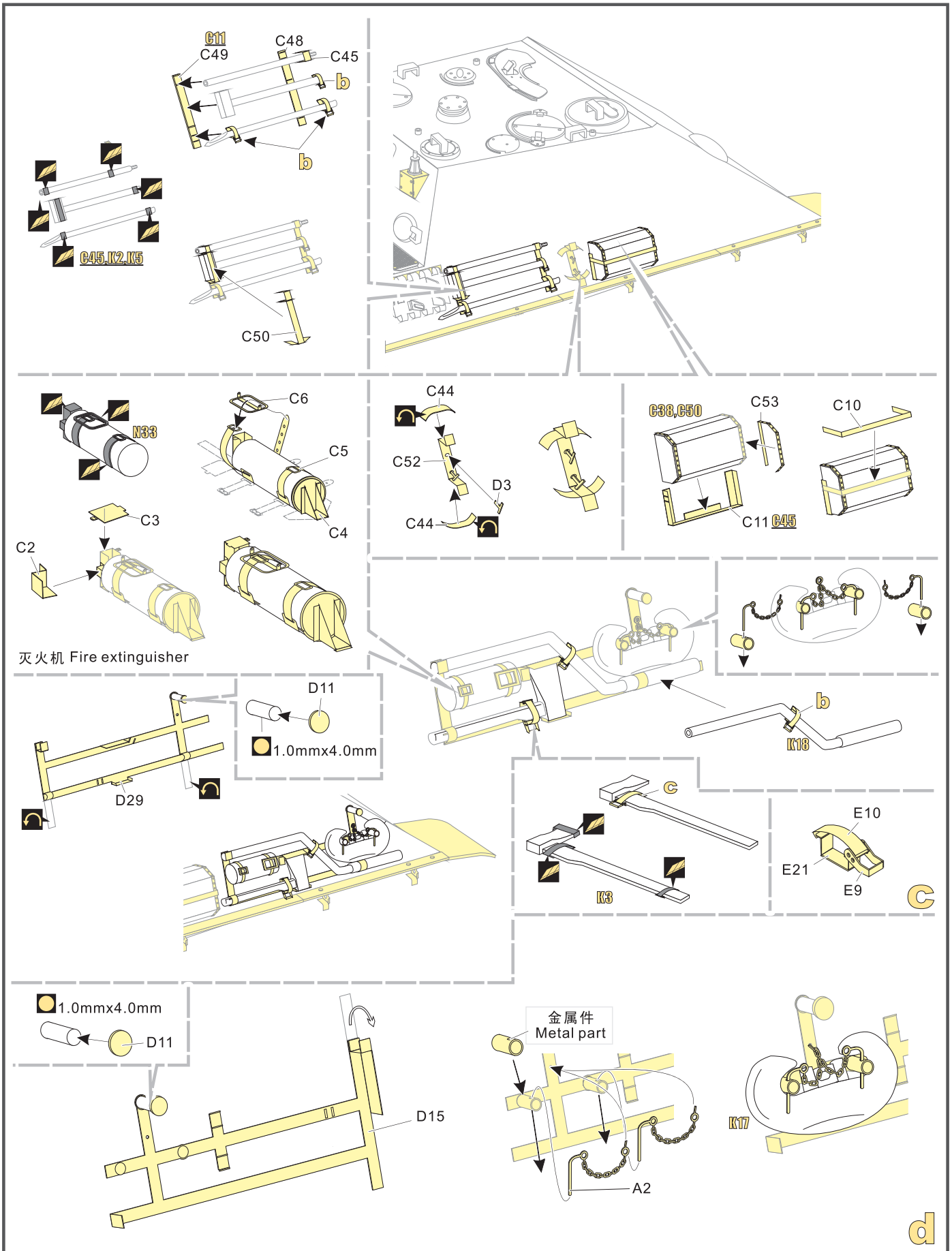
1/35 MILITARY MINIATURE VEHICLE UPGRADE SERIES PE35229



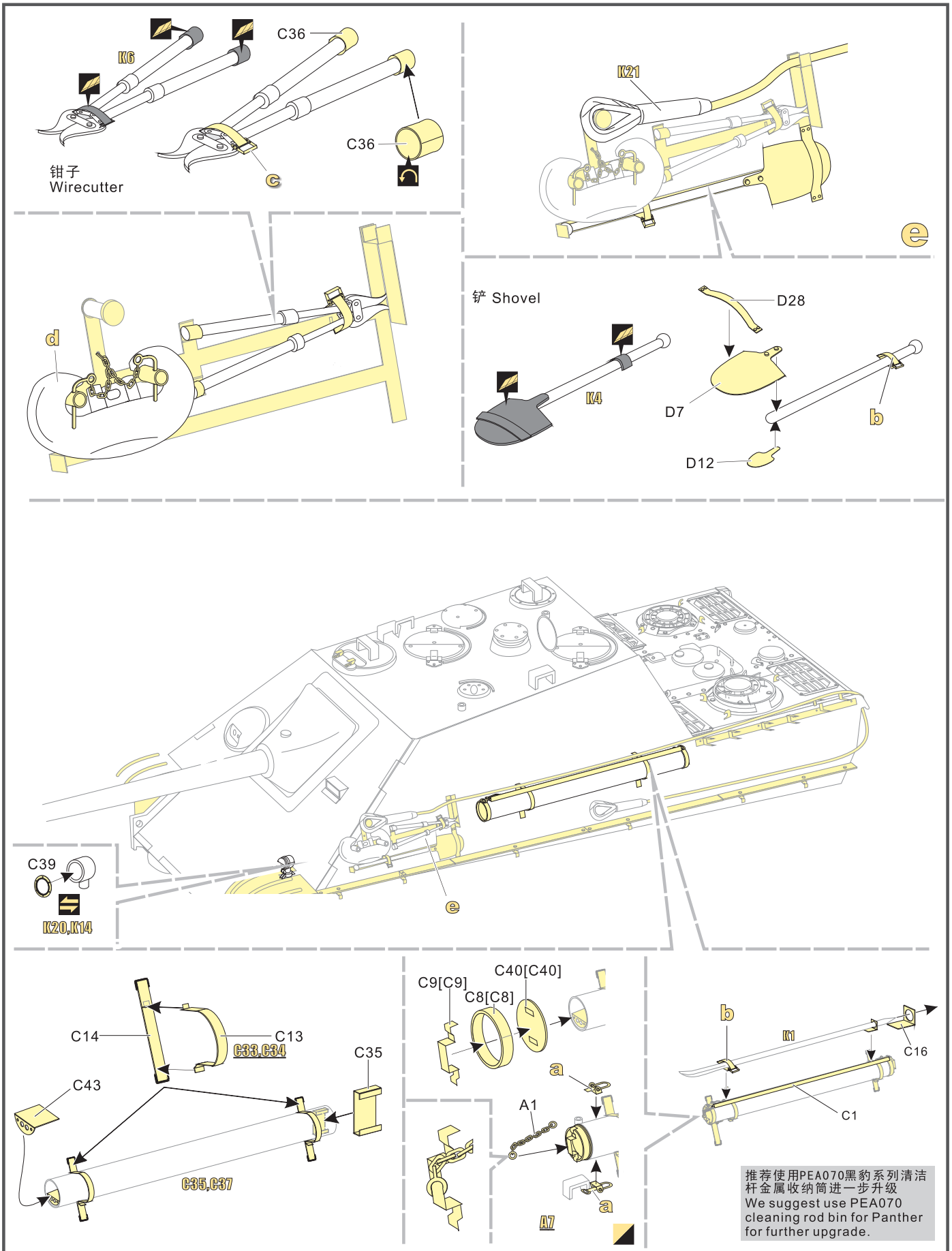
1/35 MILITARY MINIATURE VEHICLE UPGRADE SERIES PE35229



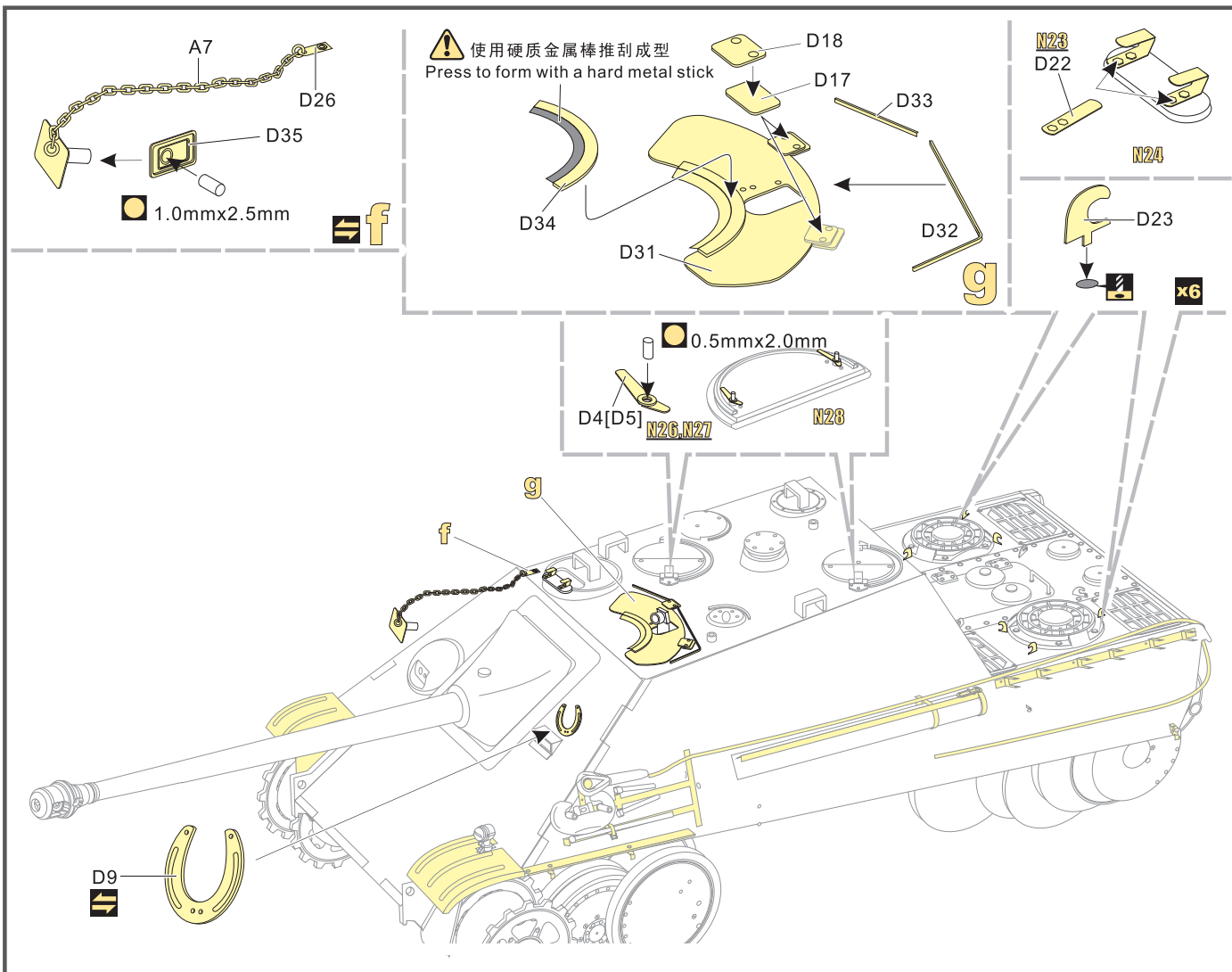
1/35 MILITARY MINIATURE VEHICLE UPGRADE SERIES PE35229



1/35 MILITARY MINIATURE VEHICLE UPGRADE SERIES PE35229

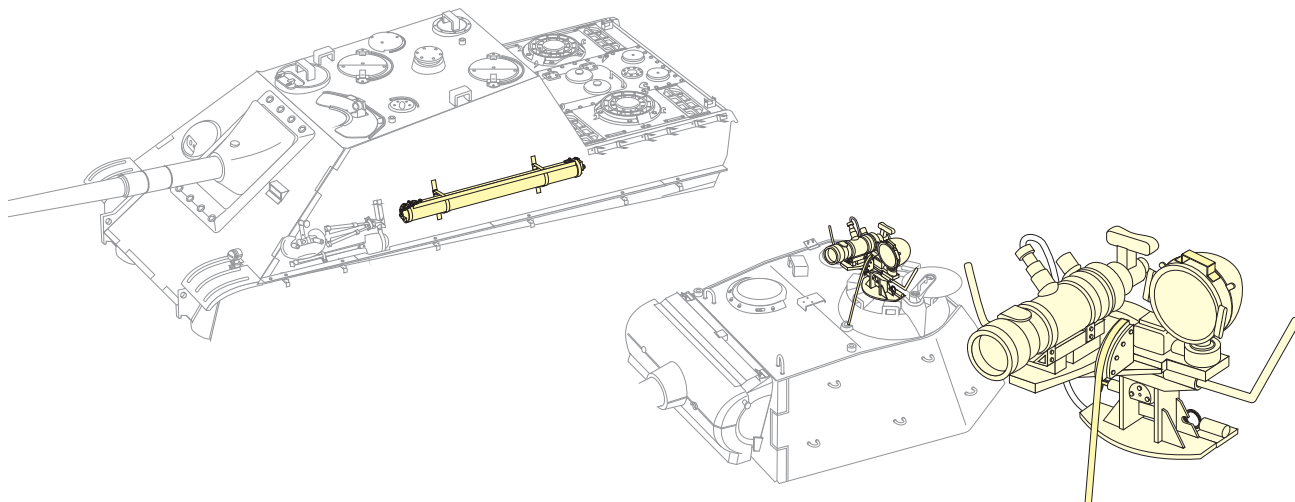


1/35 MILITARY MINIATURE VEHICLE UPGRADE SERIES PE35229



更多选择尽在 **VOYAGERMODEL®**
(Also Available) The Best Upgrade Solution

Cleaning rod bin for Panther/Jagdpanther



WWII Infra Red FG1250 for Panther Ausf G