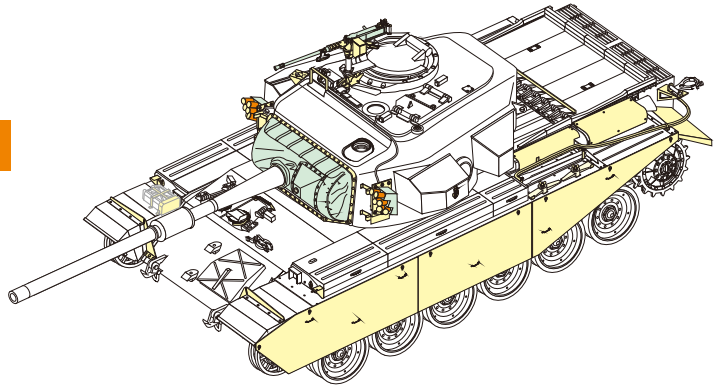


1/35 MILITARY MINIATURE VEHICLE UPGRADE SERIES PE35217

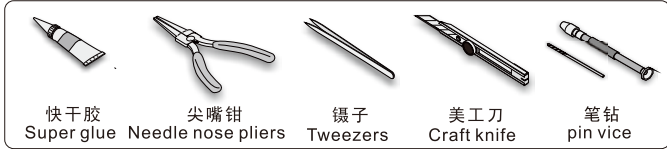
IDF shot Centurion MK5/1













中东以色列百夫长MK5/1型


[For AFV Club kit]



推荐使用工具 RECOMMENDED TOOLS




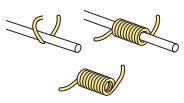
- 
安装
 install
- 
折叠
 bend
- 
A1
 改造件零件编号
 PE/resin part number
- 
B12
 原零件编号
 kit part number
- 
C22
 被替换的原零件编号
 replaced kit part number
- 
弧度卷曲
 radial bending
- 
切除
 remove
- 
另一侧相同制作
 repeat on opposite side
- 
x2
 制作若干组
 multiple assembly
- 
选择安装
 alternative
- 
钻孔
 drill
- 
用胶棒制作
 make from plastic rod

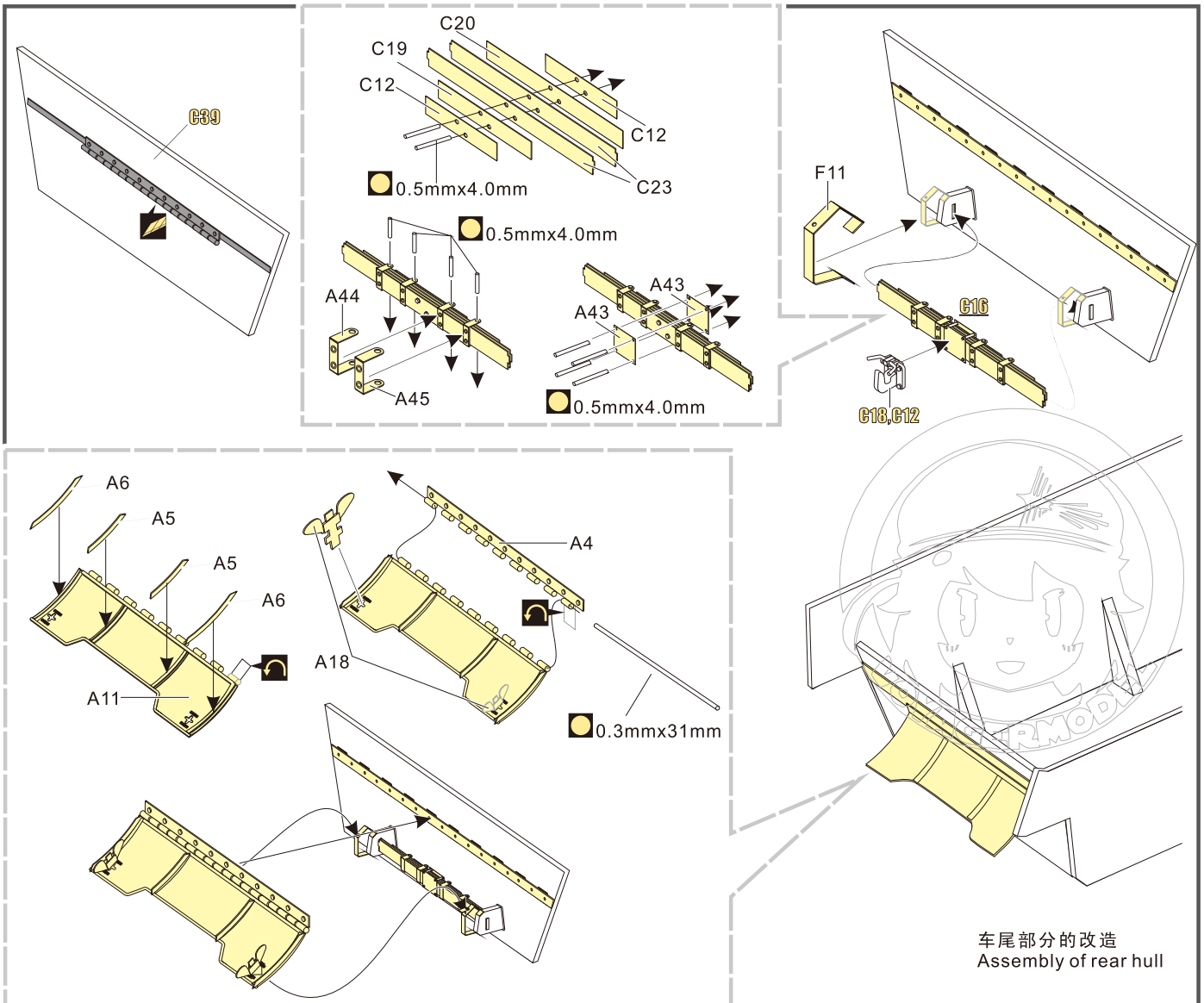
 用尖端在凹槽处冲压
use penpoint to press on the dent

蚀刻片零件内侧面向上
Put the part upside down

用笔尖在凹槽处制
Use penpoint to press on the dent

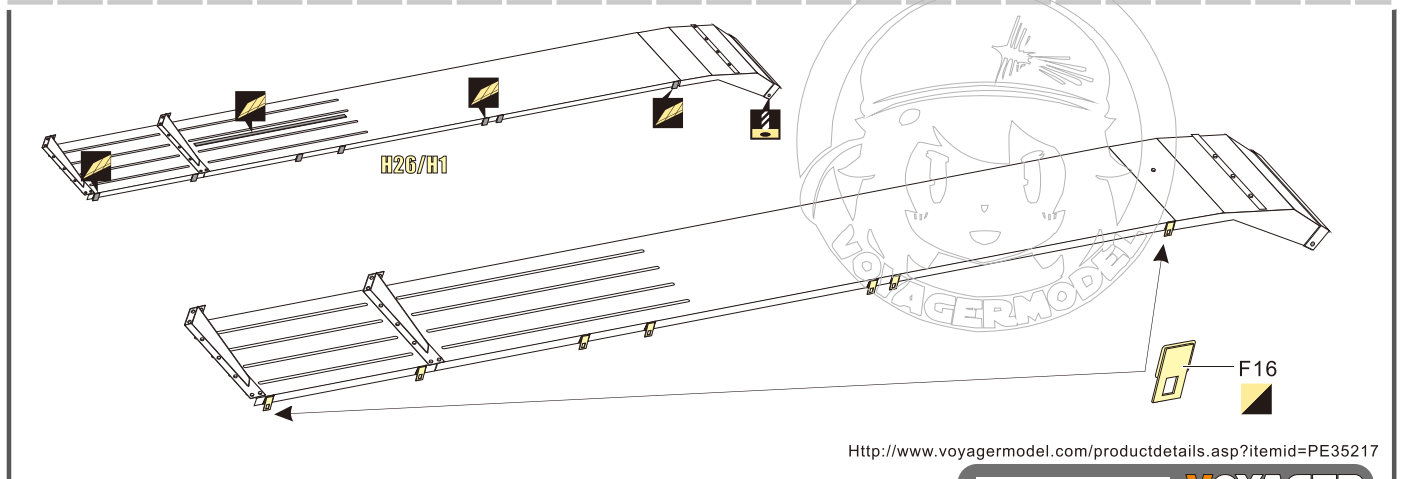
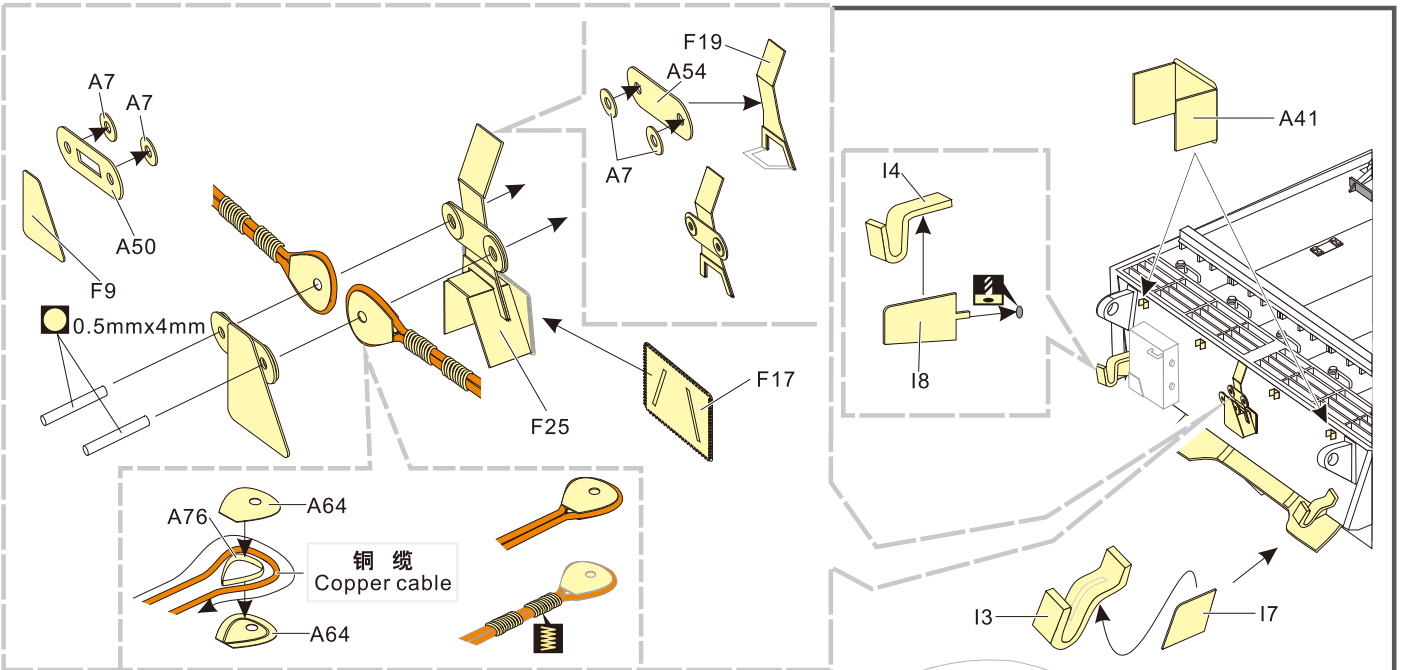
 制作线圈
make coil



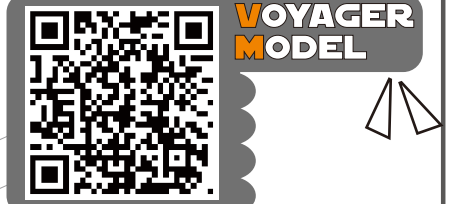
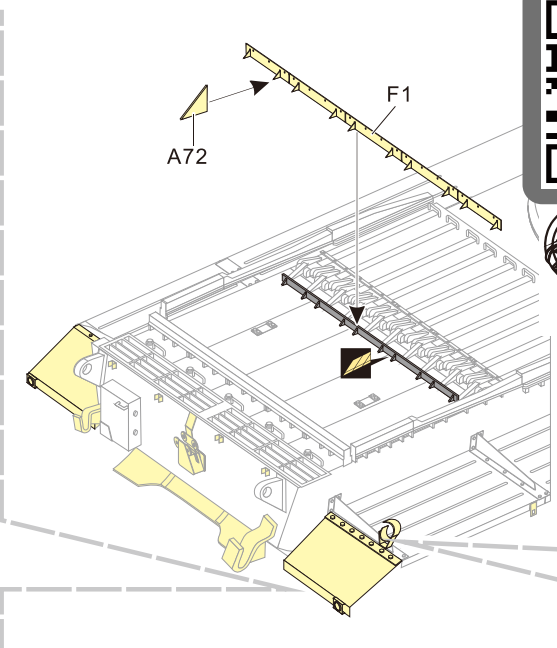
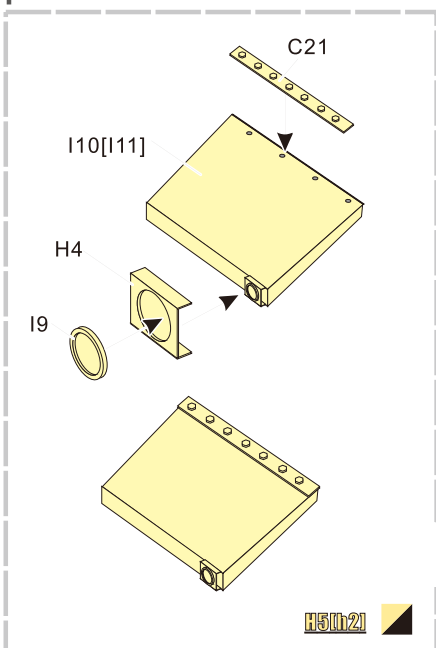


车尾部分的改造
Assembly of rear hull

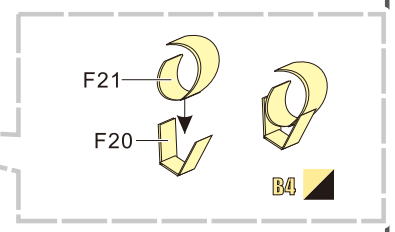
1/35 MILITARY MINIATURE VEHICLE UPGRADE SERIES PE35217



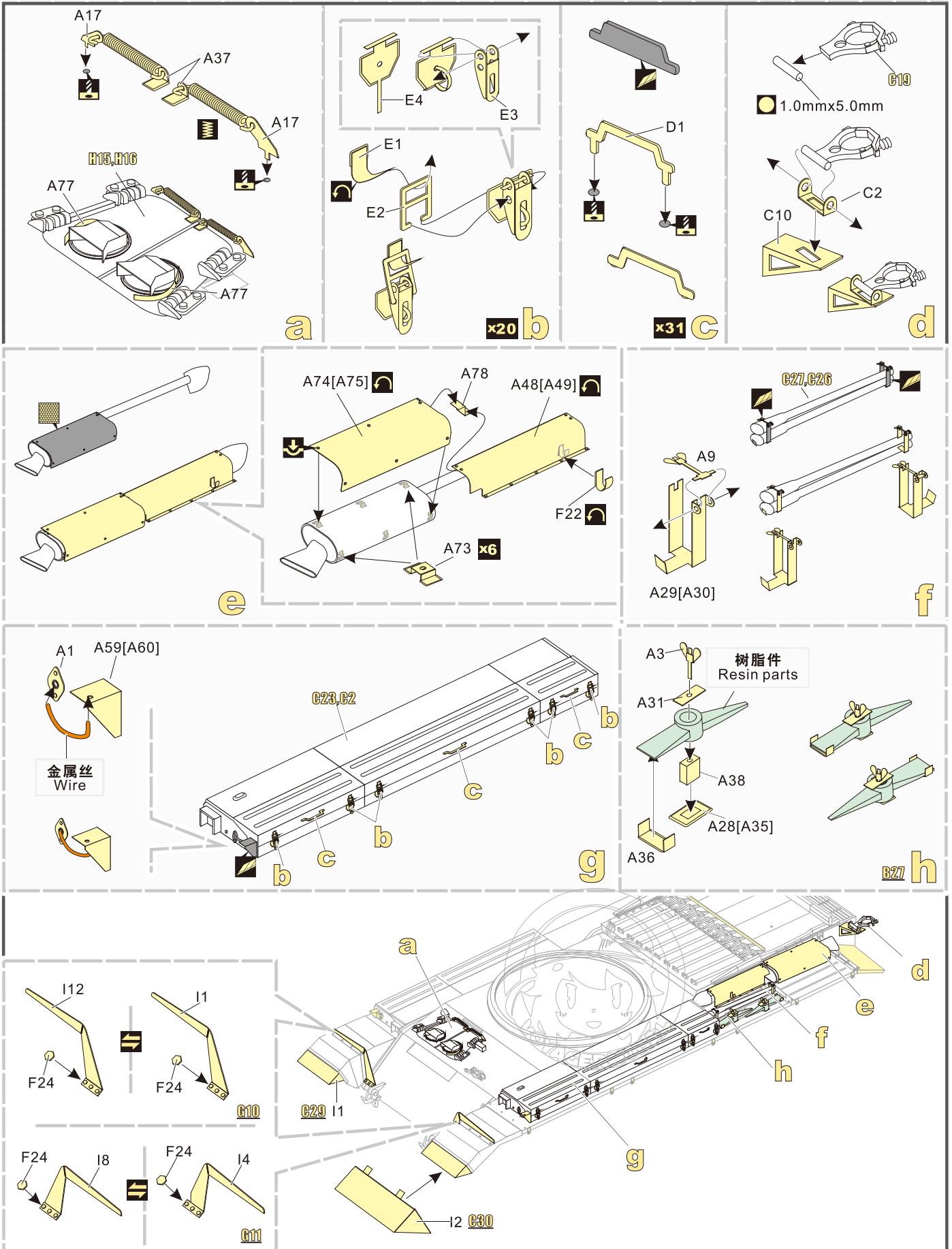
[Http://www.voyagermodel.com/productdetails.asp?itemid=PE35217](http://www.voyagermodel.com/productdetails.asp?itemid=PE35217)



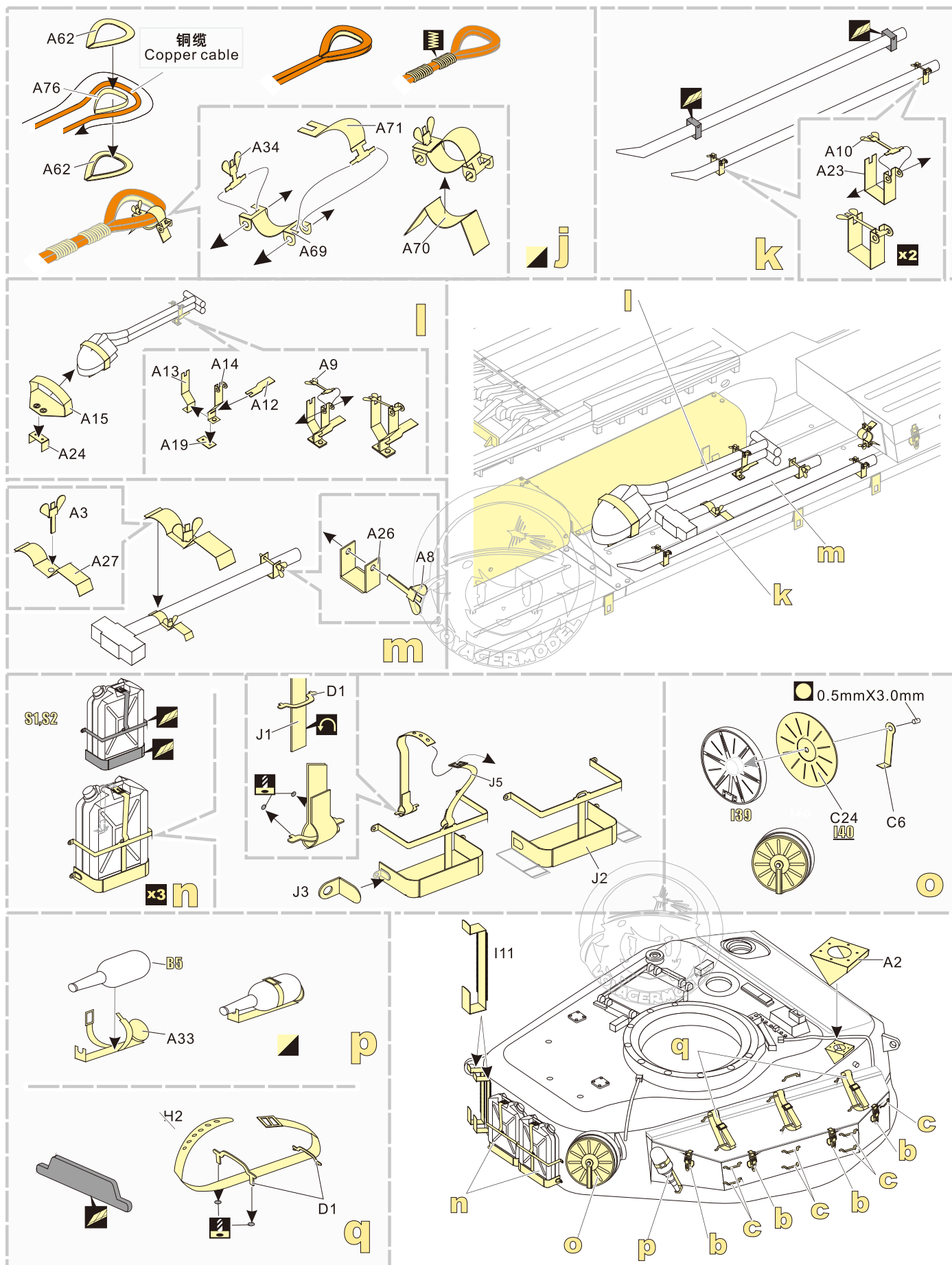
更多PE35217样品照片参考请扫一扫
MORE PICTUER OF PE 35217
REFERENCE SCAN HERE



1/35 MILITARY MINIATURE VEHICLE UPGRADE SERIES PE35217



1/35 MILITARY MINIATURE VEHICLE UPGRADE SERIES PE35217



1/35 MILITARY MINIATURE VEHICLE UPGRADE SERIES PE35217

M2HB 机枪
M2HB Machine

F8 F6 F5 F9

树脂件
Resin parts

自制
Scratchbuild

F12 F13 F2 F14

Ø 0.5

Ø 0.5

Ø 0.5

Ø 0.5

Ø 1.0

F3

F16

F7

N3, N10

M12

A67[A65] A25 A51 A52 A68[A66]

树脂件
Resin parts

金属件
Metal parts

C11 E5

A3 A63

M15 M16

F13 Ø 0.5

A58

1/35 MILITARY MINIATURE VEHICLE UPGRADE SERIES PE35217

