

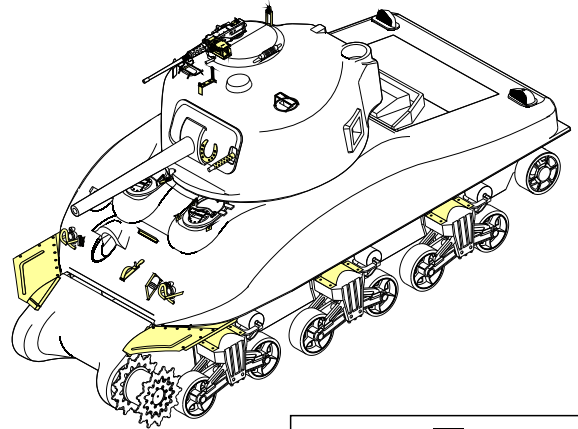
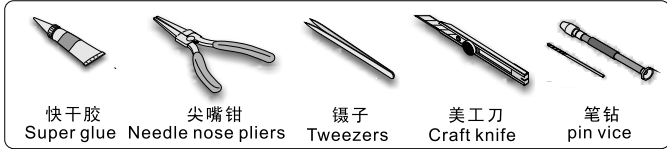
1/35 MILITARY MINIATURE VEHICLE UPGRADE SERIES PE35208

# WWII M4A1 Mid version

## 二战美国M4A1中期型坦克改造件

[For TASCA 35010]

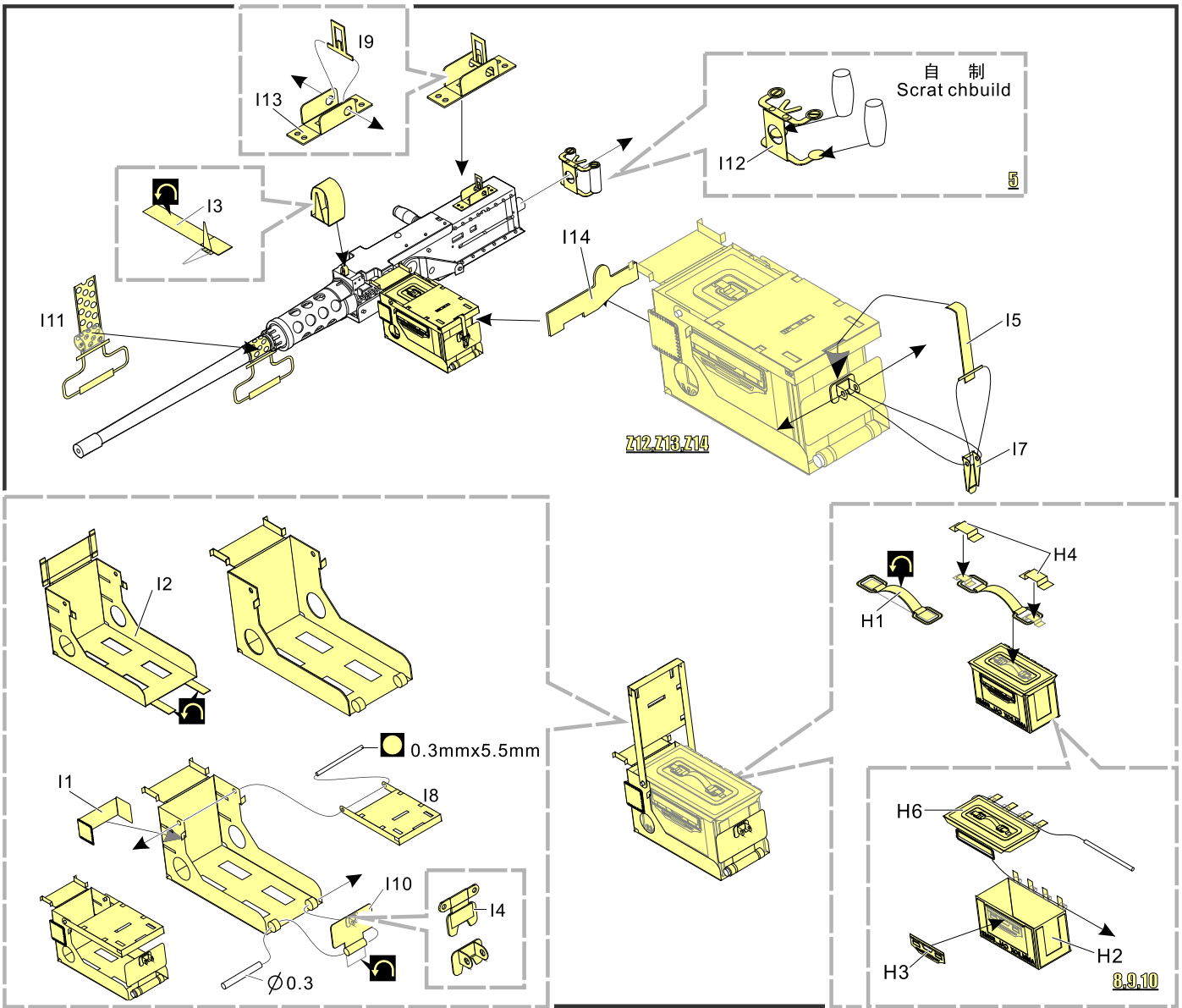
### 推荐使用工具 RECOMMENDED TOOLS



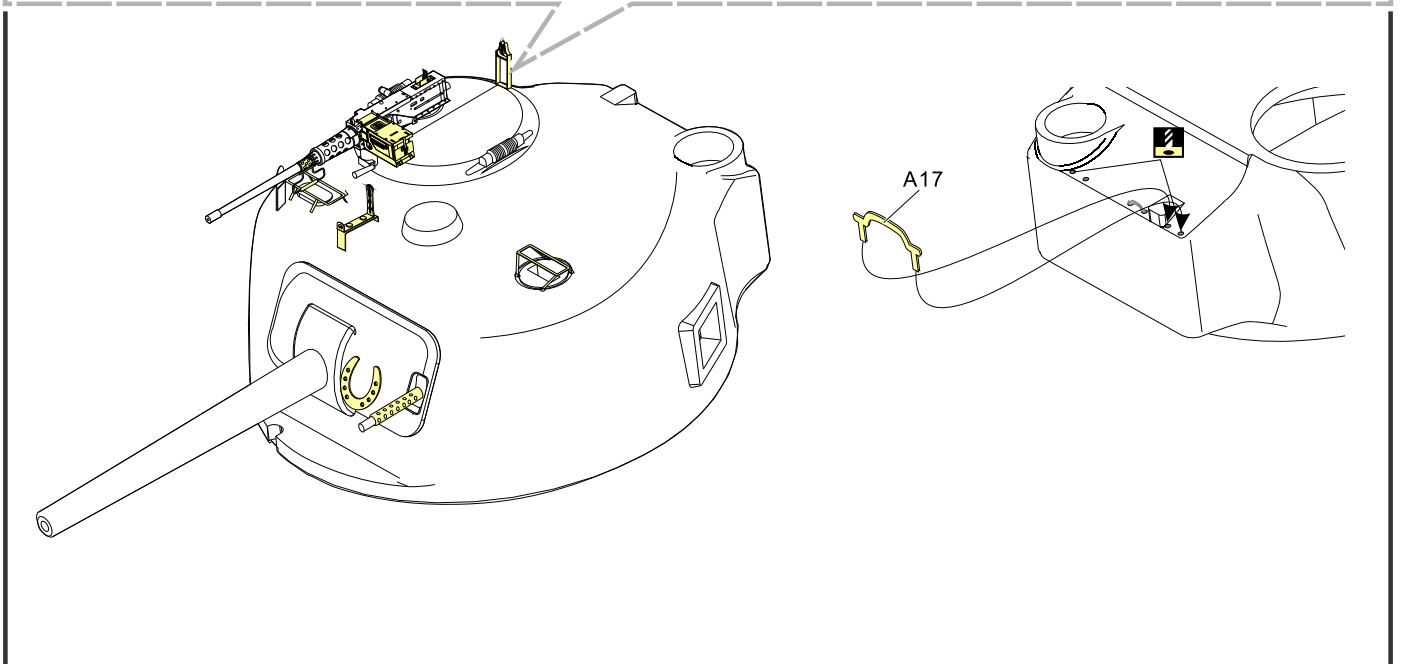
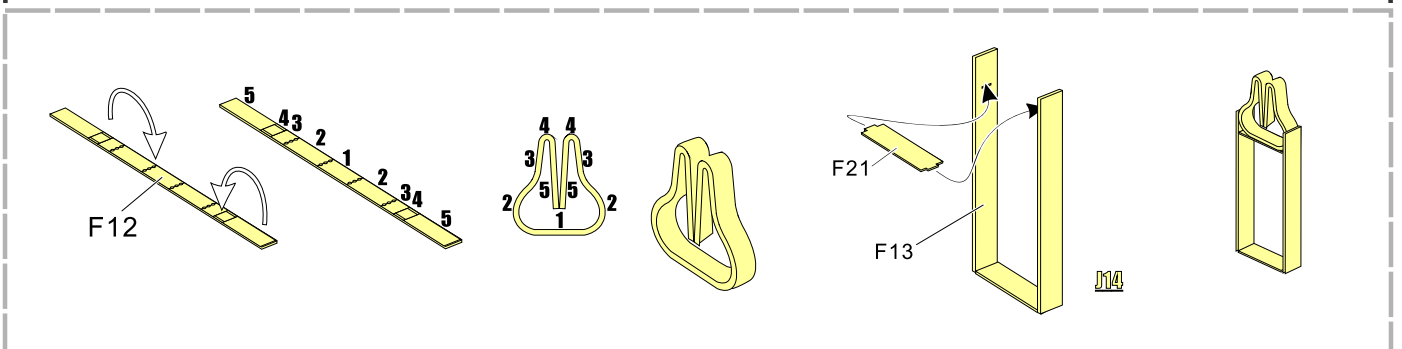
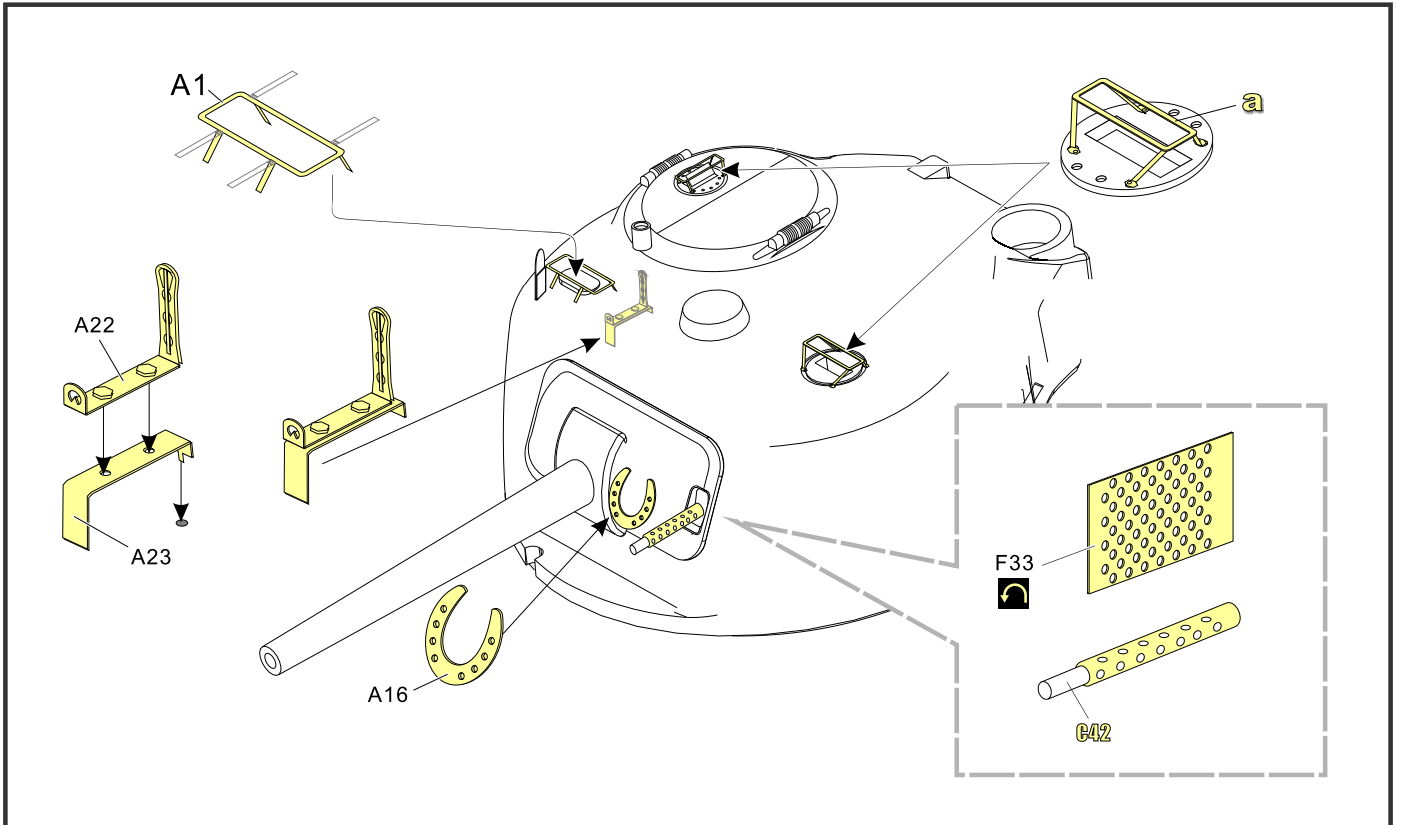
- 安装  
install
- 折叠  
bend
- A1**  
改造件零件编号  
PE/resin part number
- B12**  
原零件编号  
kit part number
- C22**  
被替换的原零件编号  
replaced kit part number
- 另一侧相同制作  
repeat on opposite side
- 切除  
remove
- 打磨  
grind off
- 弧度卷曲  
radial bending
- 制作若干组  
multiple assembly
- 选择安装  
alternative
- 钻孔  
drill
- 用胶棒制作  
make from plastic rod

用尖端在凹槽处冲压  
use penpoint to press on the dent

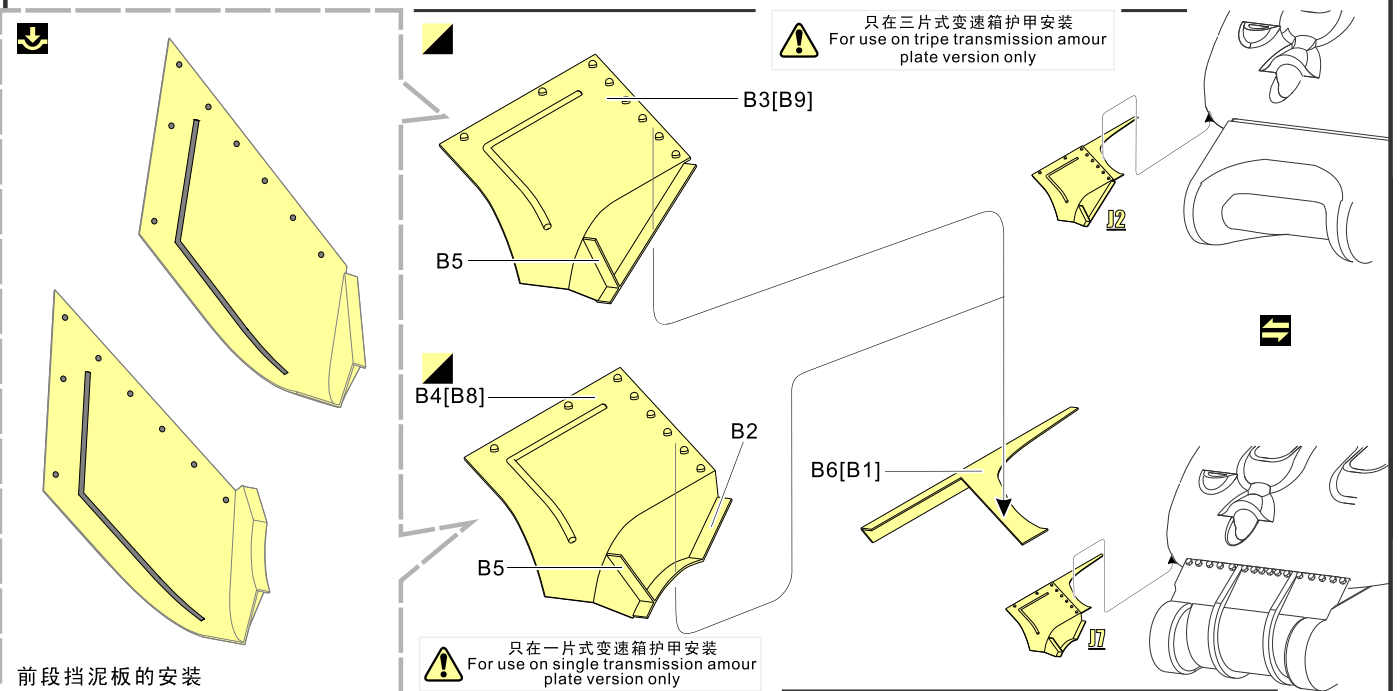
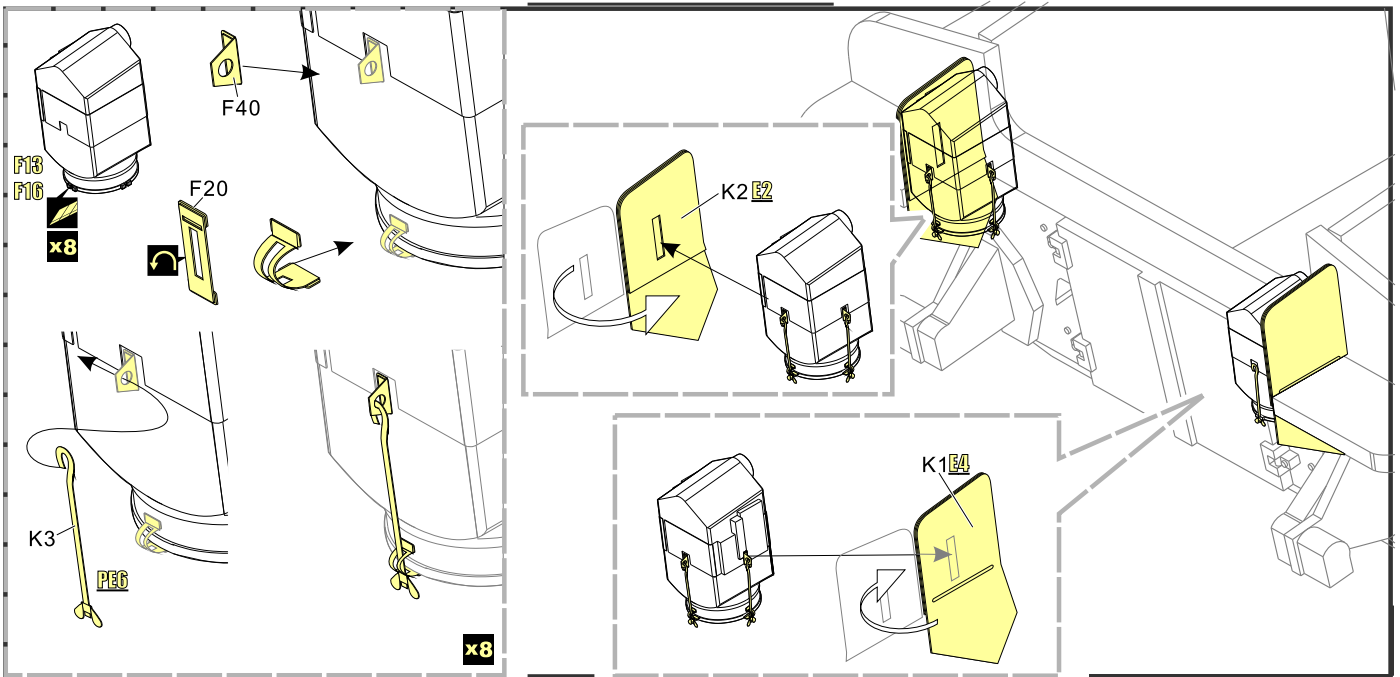
蚀刻片零件内侧面向上  
Put the part upside down  
用笔尖在凹槽处刺  
Use penpoint to press on the dent



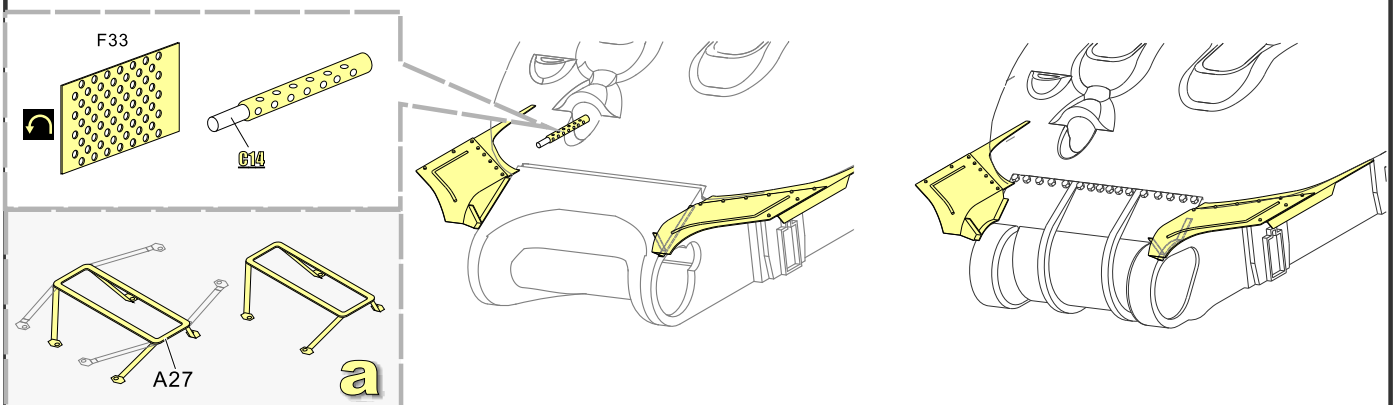
1/35 MILITARY MINIATURE VEHICLE UPGRADE SERIES PE35208



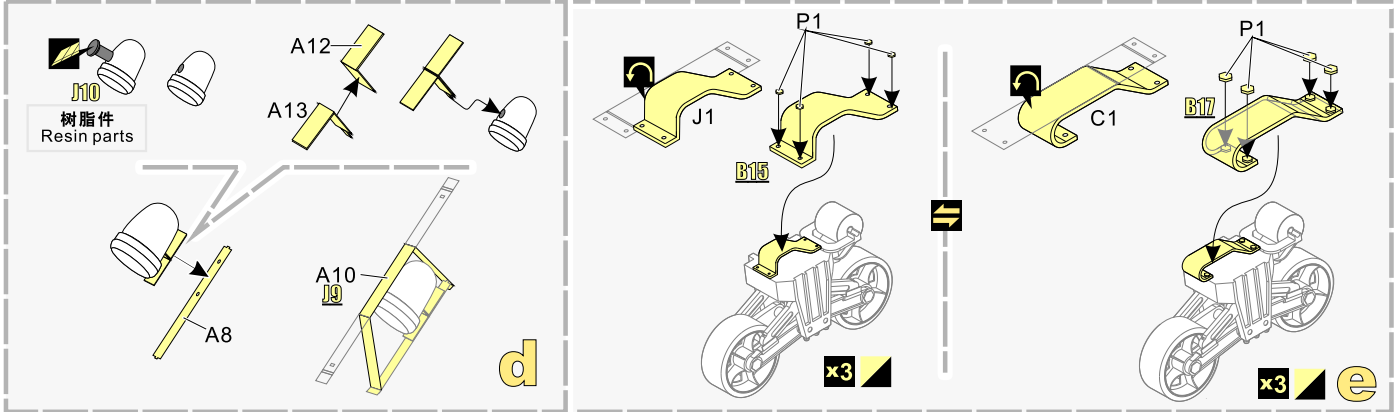
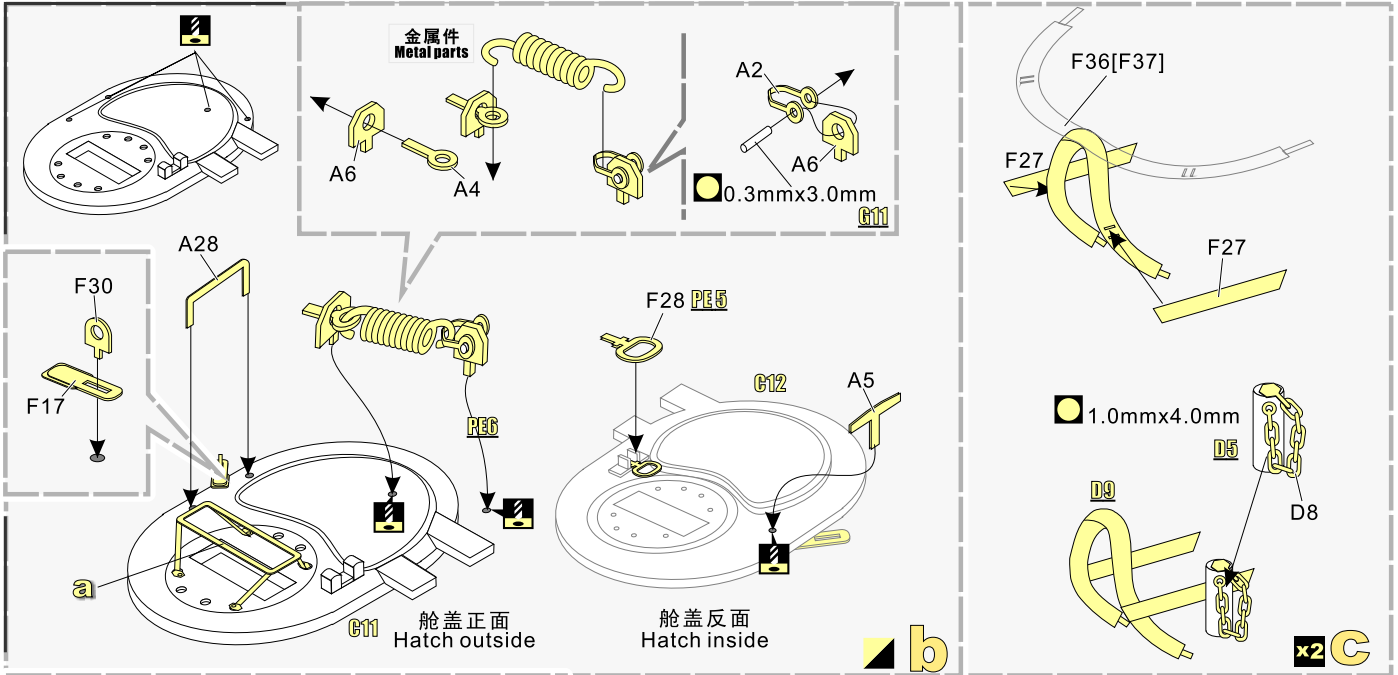
1/35 MILITARY MINIATURE VEHICLE UPGRADE SERIES PE35208



前段挡泥板的安装  
Installation of fender (front section)



1/35 MILITARY MINIATURE VEHICLE UPGRADE SERIES PE35208



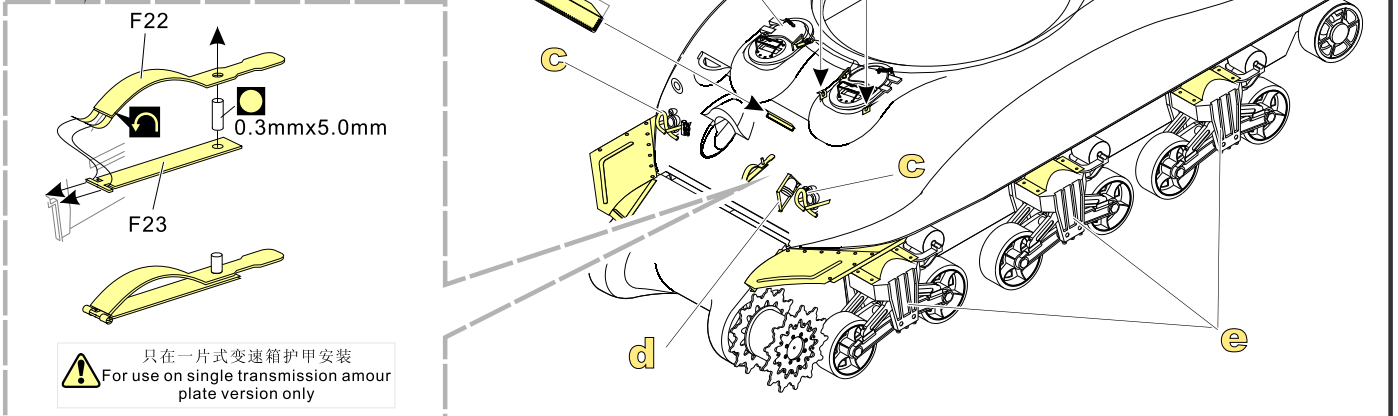
<http://www.voyagermodel.com/productdetails.asp?itemid=PE35208>



**VOYAGER  
MODEL**



更多PE35208样品照片参考请扫一扫  
MORE PICTUER OF PE 35208  
REFERENCE SCAN HERE



1/35 MILITARY MINIATURE VEHICLE UPGRADE SERIES PE35208

