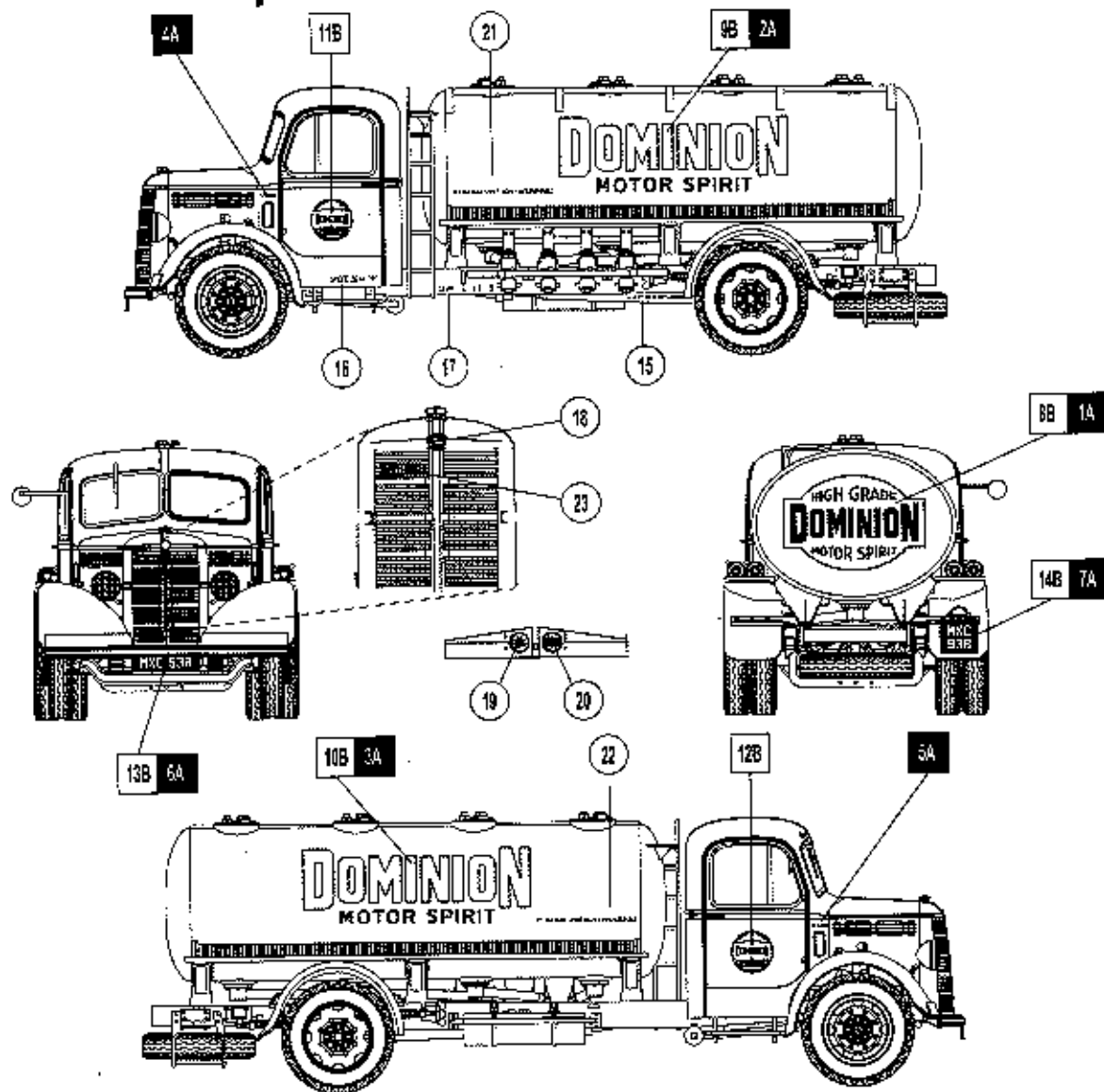


LWB Tanker

Dominion Motor Spirit
Cleveland Motor Spirit

DECAL PLACEMENT & PAINTING GUIDE



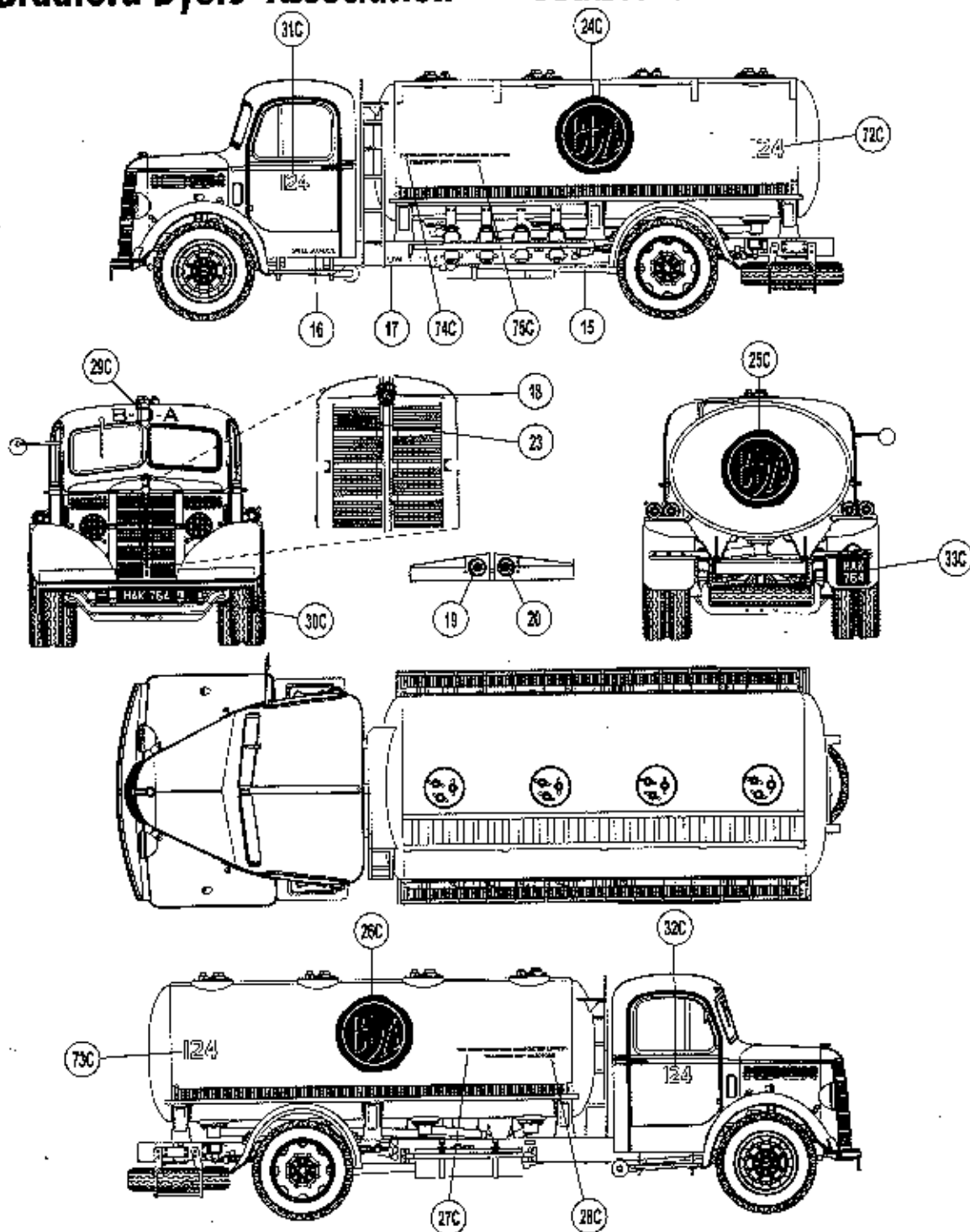
PAINTING SUGGESTIONS USING 'HUMBROL' ENAMEL AND ACRYLIC PAINTS

Emboss Blue 13	<input type="checkbox"/>
Dark Blue Glass Blue 52	<input type="checkbox"/>
Cab, tank body, bonnet, tank supports, ladders, pipe racks, wheels.	
Red Light Blue 15	<input checked="" type="checkbox"/>
Tank body, tank supports, ladders, pipe racks.	
Black 1000 10	<input checked="" type="checkbox"/>
Cab, bonnet.	

Spin Opel Black 65 and Gloss Black 71	Ivory 41	Blue 54
Chassis & running gear, axles, hubs, fuel tank, bonnet underside, cab steps, cab floor interior & underside, engine bay & engine, front wings, bumper, radiator grille, dashboard, steering wheel, wiper arm, wing mirror arm, rear number plate.	Cab interior.	Hose nozzles, filler caps & collars.
Silver 11 or Federal Silver 90	Black Natural (Black 110)	Tan 118
Door handles, mirror, exhaust, radiator filler cap, thick radiator grille bars, vertical radiator grille bar, discharge valves, tank tops.	Duck board.	Seats.

Correspondence requiring a reply should be accompanied by a stamped addressed envelope, or by four IRCs (postal International Reply Coupons). Any request for replacement of defective parts should be accompanied by the defective part.

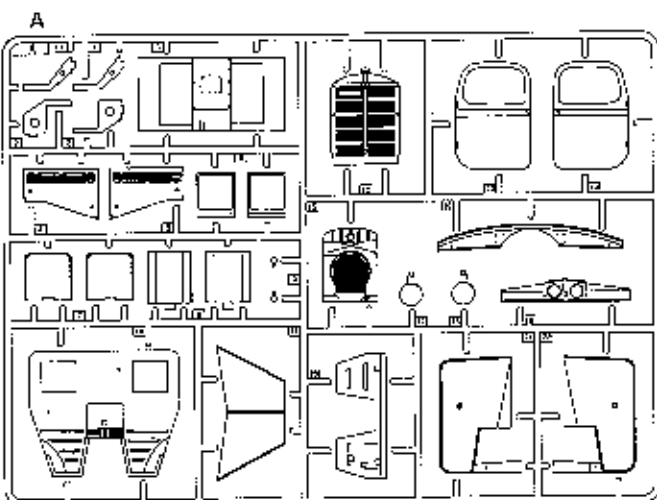
POCKETBOND LTD, P.O. BOX 80, WELWYN, HERTS AL6 0ND, ENGLAND, FAX 01707 327466. info@pocketbond.co.uk
© Copyright Pocketbond Ltd 2012



PAINTING SUGGESTIONS USING 'HUMBROL' ENAMEL AND ACRYLIC PAINTS

Blue Hammer Green	Stain Oxid Black 85 or Glass Black	Silver 11 Ac Revel Silver 90	Black 40	Brass 54
Cab, tank body, bonnet, tank supports, ladders, pipe racks, wheels.	Chassis & running gear, axles, hubs, fuel tank, bonnet underside, cab steps, cab floor interior & underside, engine bay & engine, front wings, bumper, radiator grille, dashboard, steering wheel, wiper arm, wing mirror arm, rear number plate.	Door handles, mirror, exhaust, radiator filler cap, thick radiator grille bars, vertical radiator grille bar, discharge valves, tank tops.	Cab interior.	Hose nozzles, filler caps & collars.
			Tank top	Black enamel/black
			Seats.	Duck board

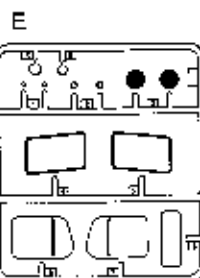
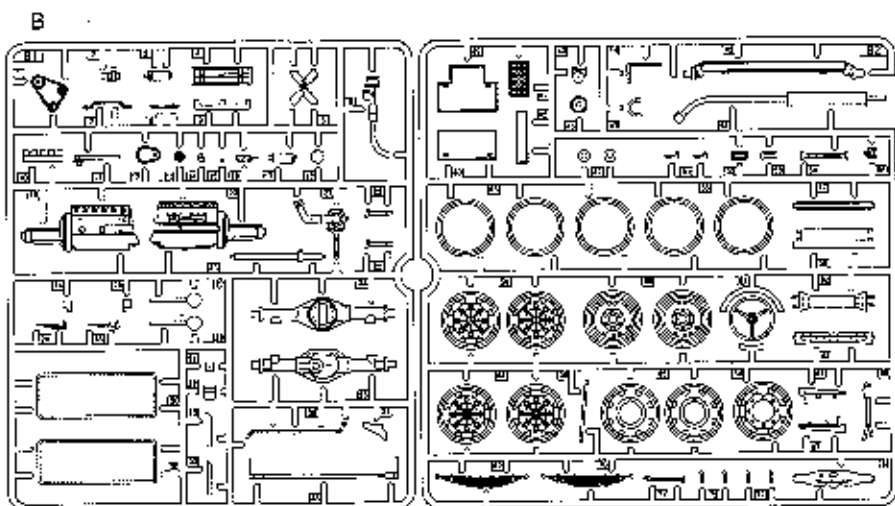
Frames



Cab

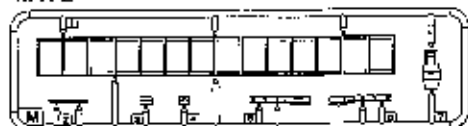


Tyre x 7

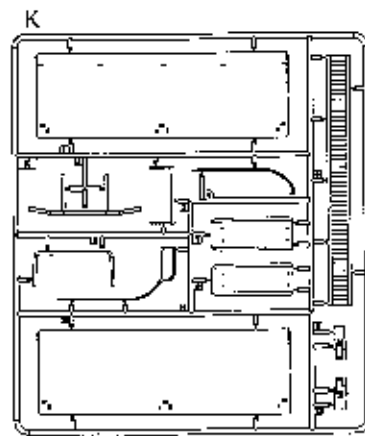
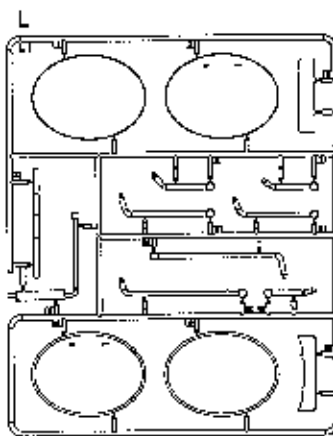
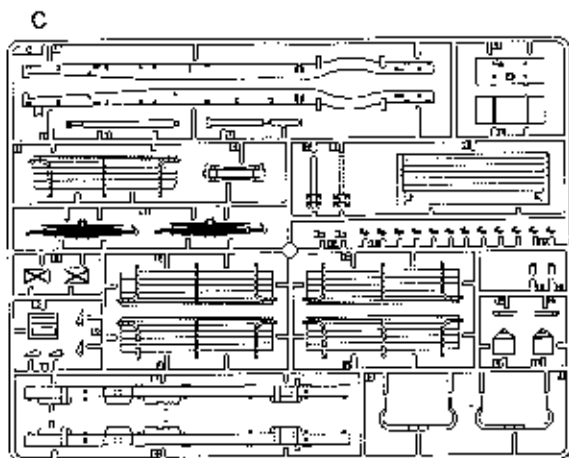
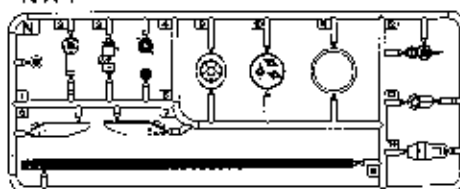


Decal sheet

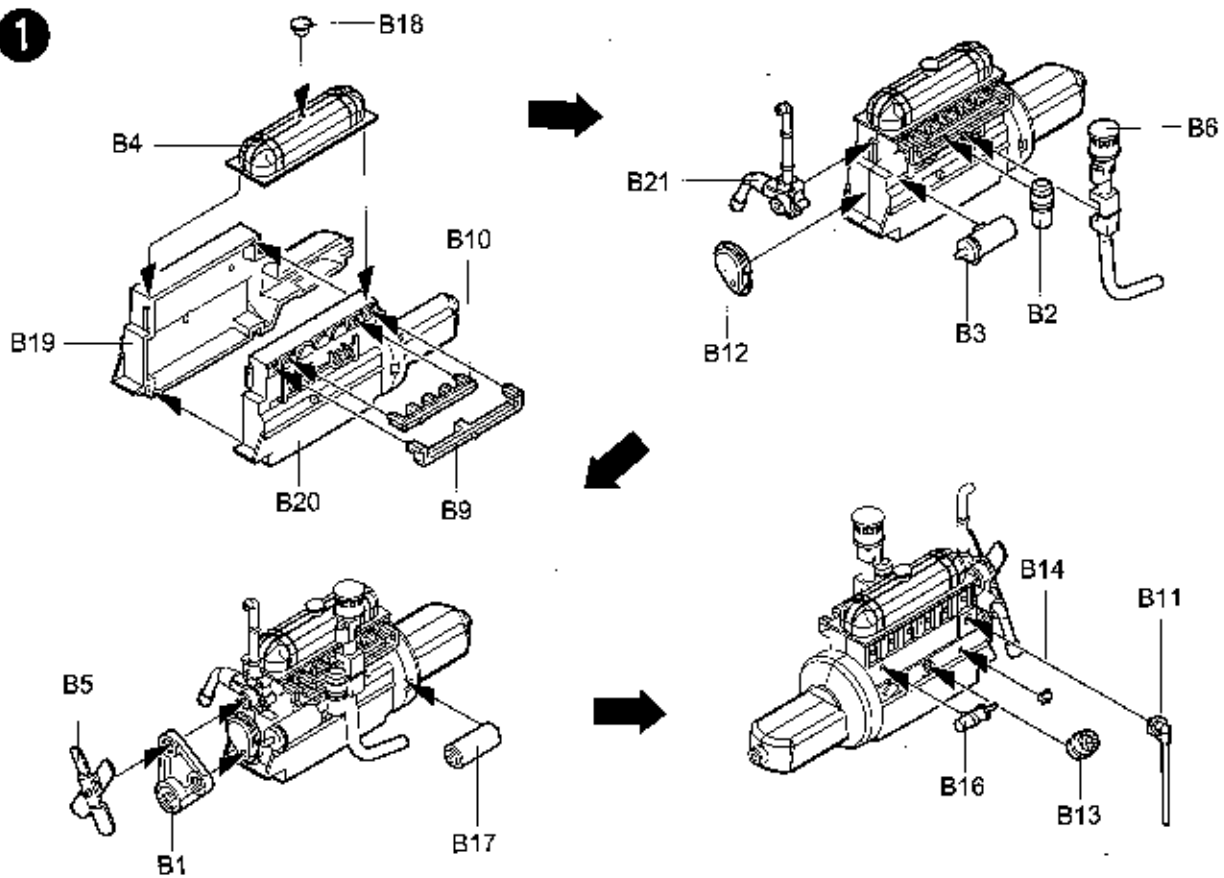
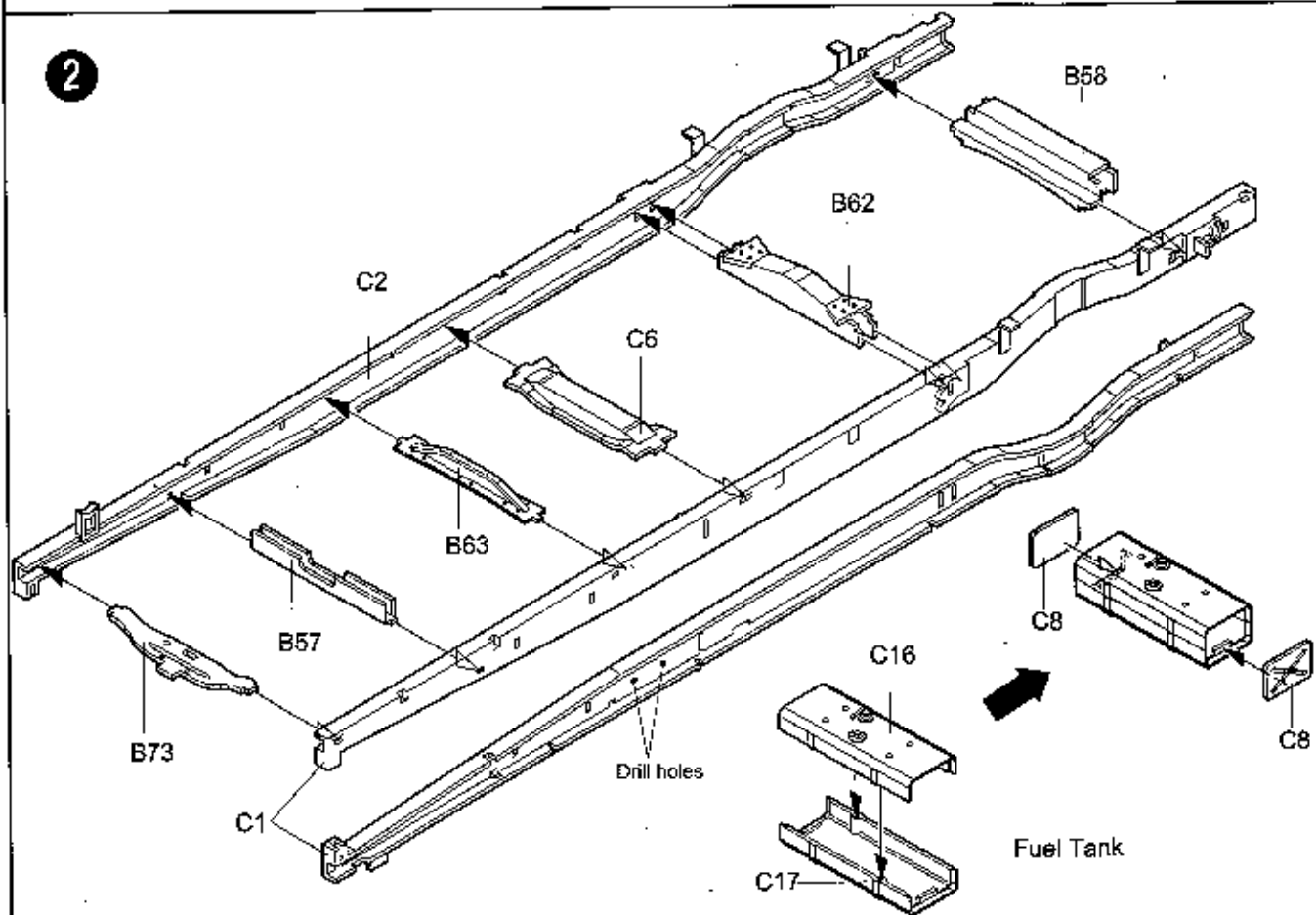
MX 2



NX 4



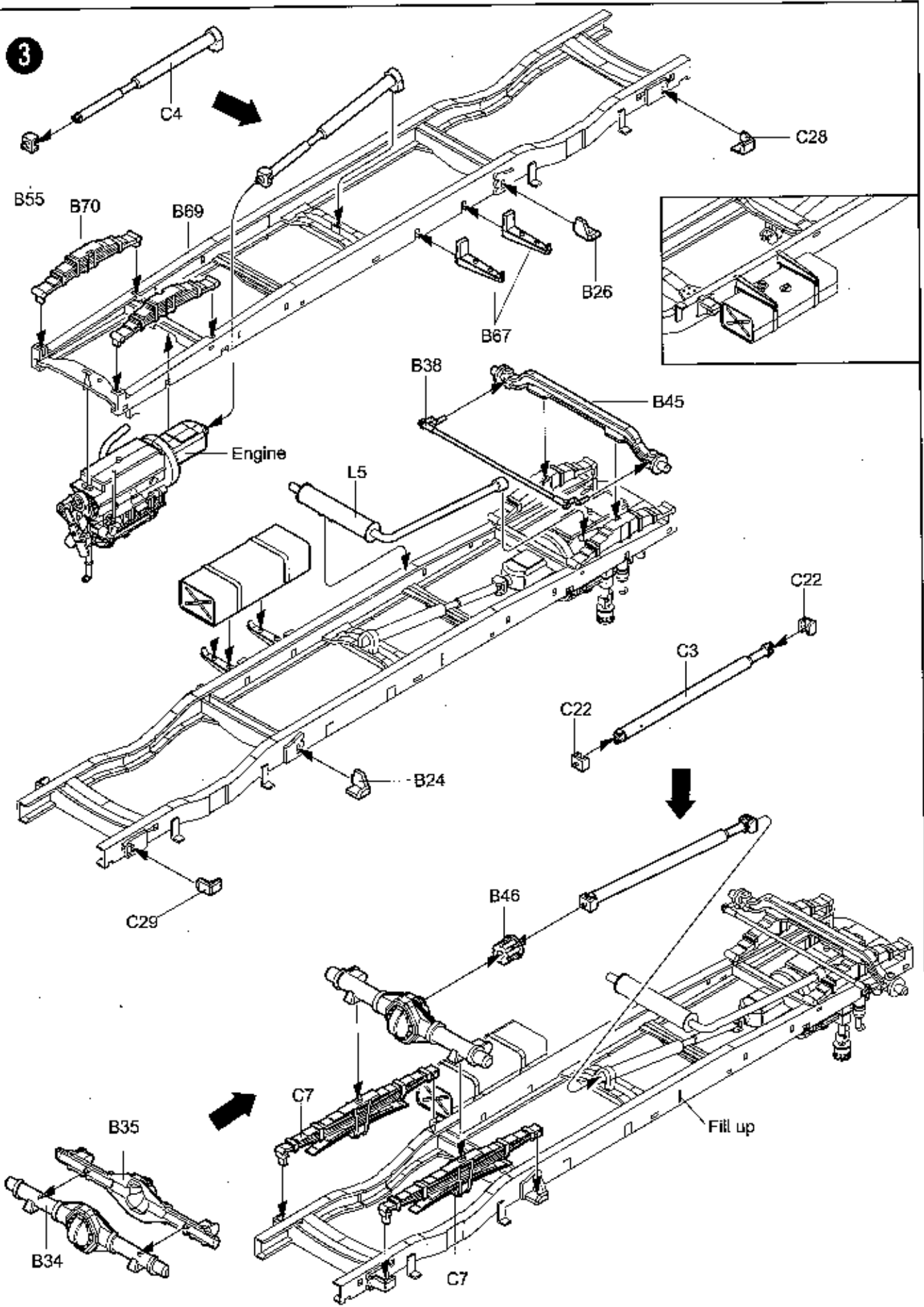
Unused parts : B30,B37,B48,C5,C9,C11,C12,C13,C14,C15,C18,C21,C23,C24,C25,E9,E10,

1**2**

EM2403

4

3

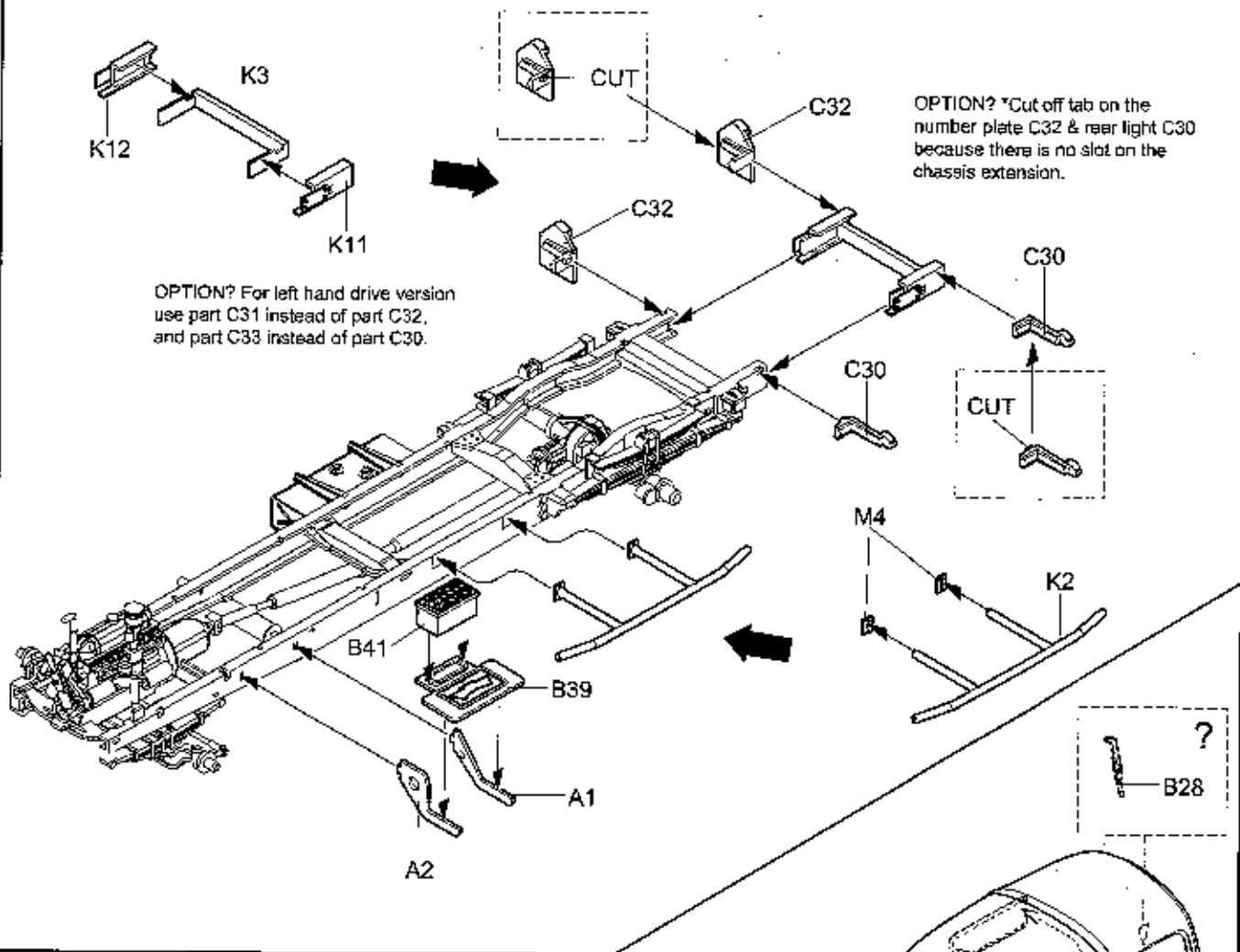


EM2403

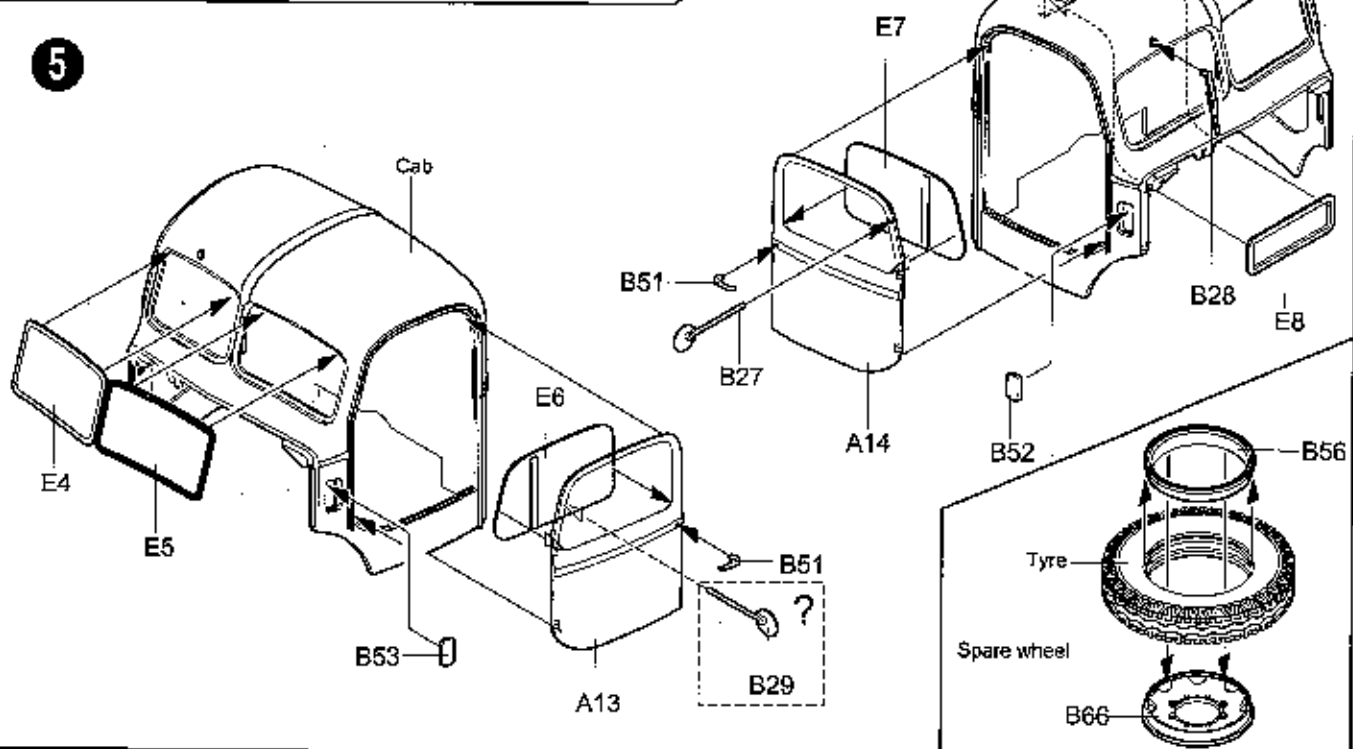
5

4

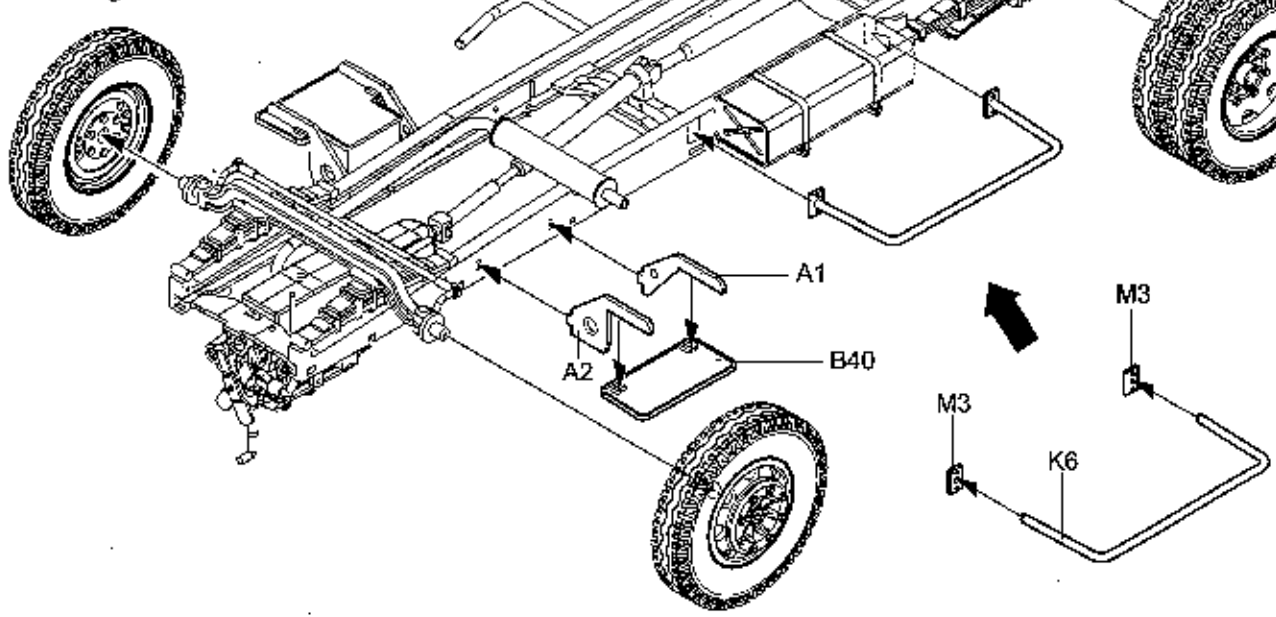
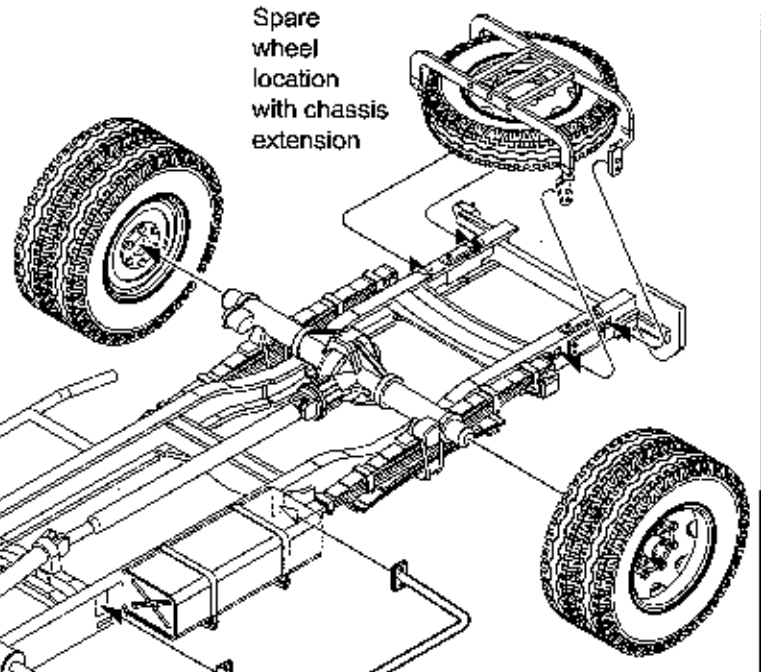
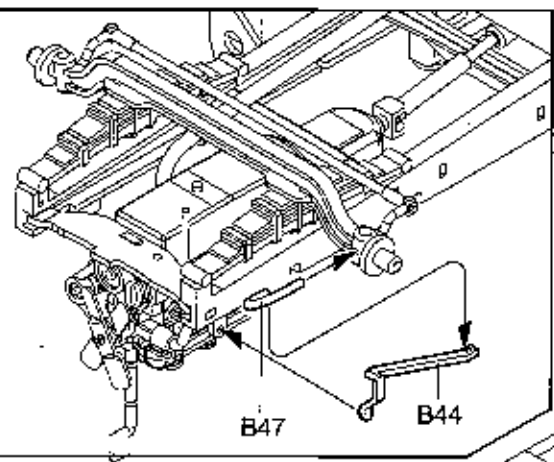
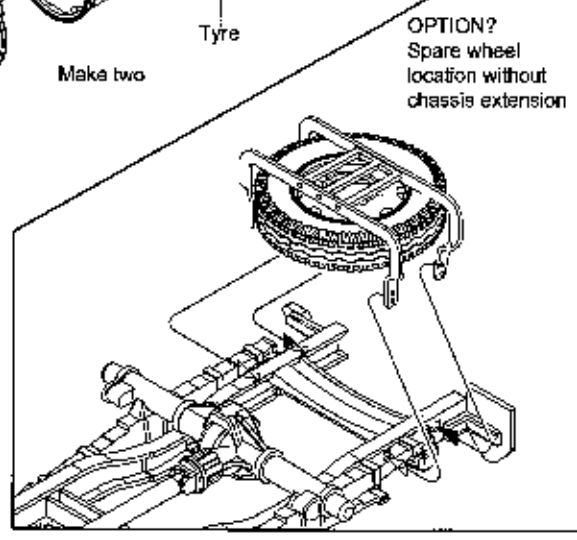
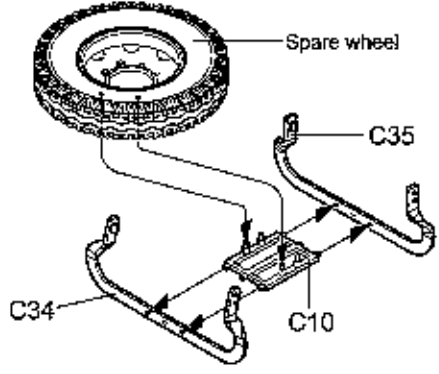
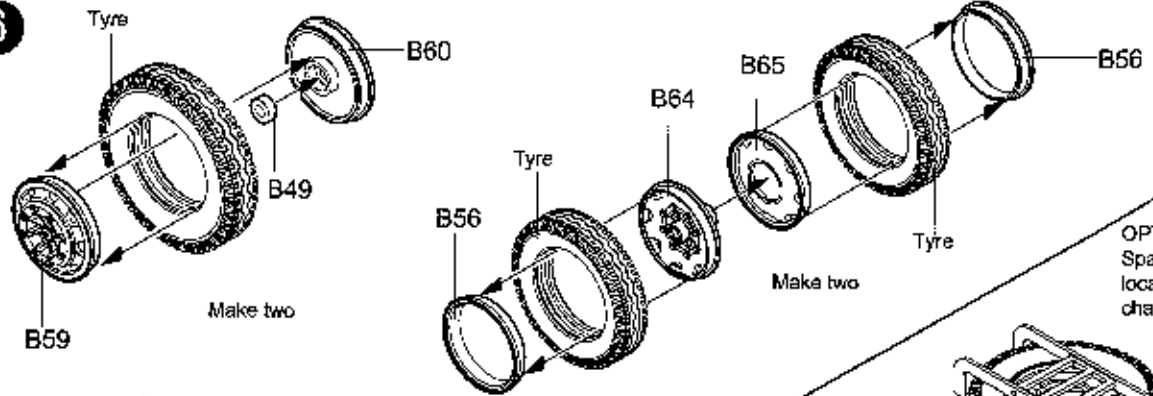
OPTION? The kit has an option to build either with a chassis extension (parts K11,K12,K3) or without these parts. Number plate C32 and rear light C30 can be fitted at the end of the original chassis with the tab fitting in the slot on the chassis. If chassis extension is used, fit number plate and rear light at the end of the chassis extension.*



5



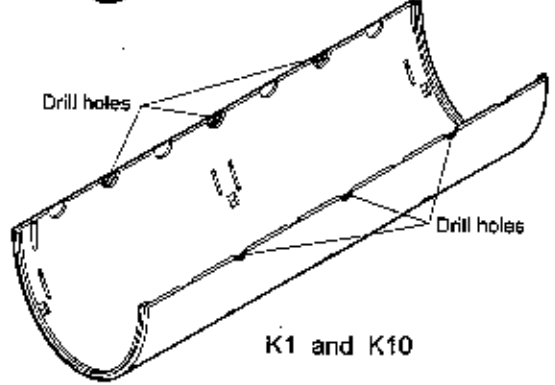
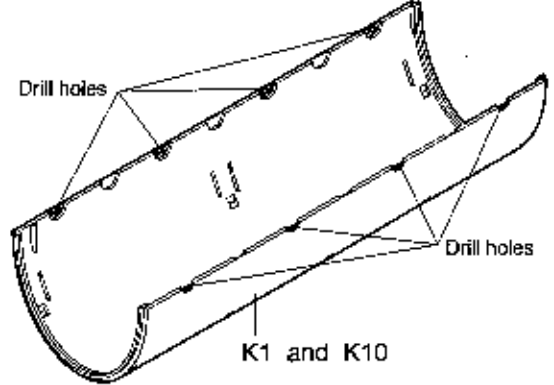
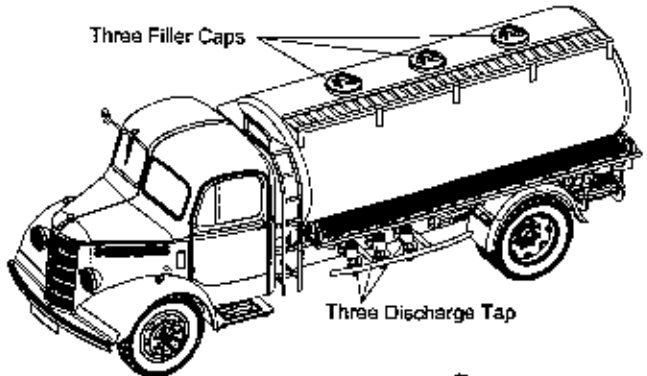
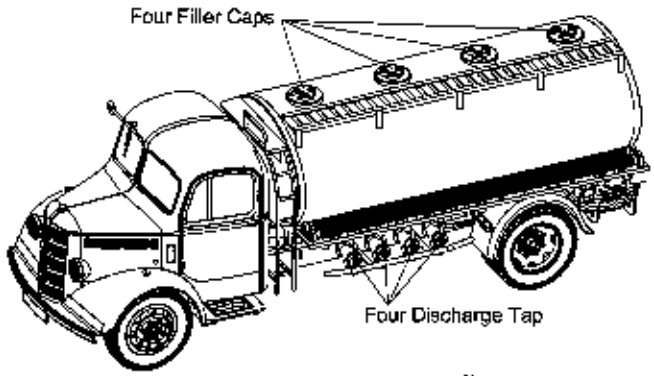
6



7

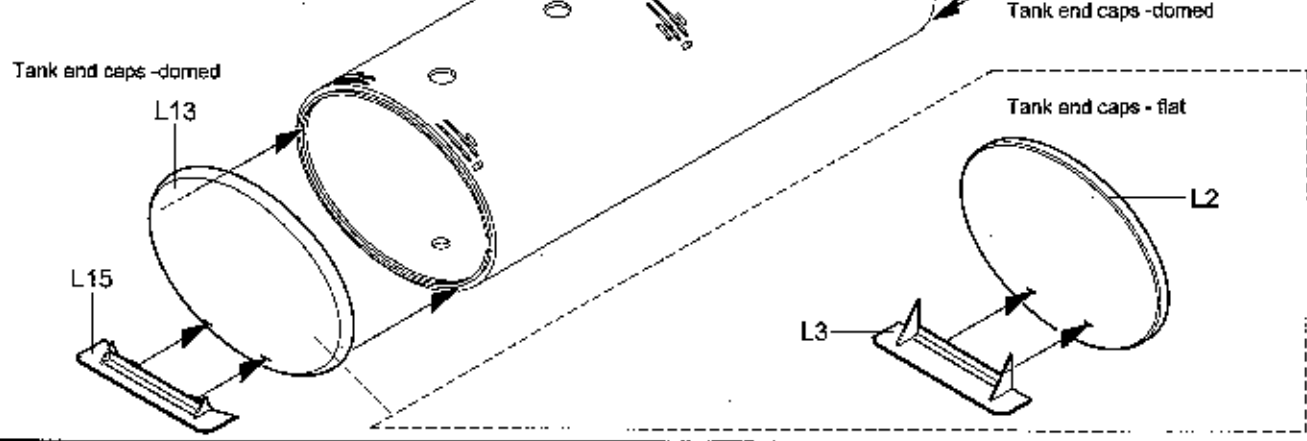
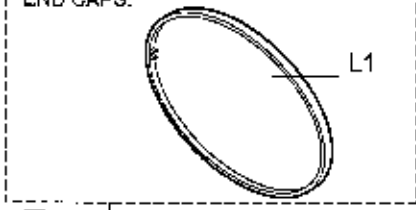
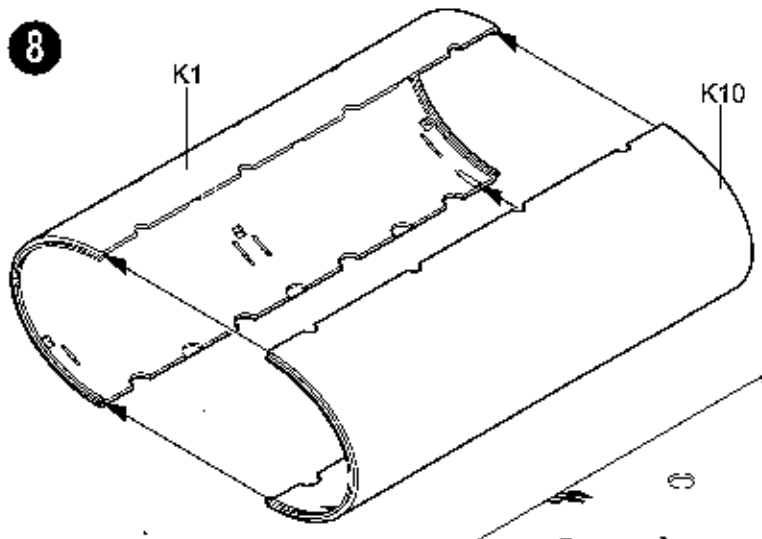
← Four Filler Caps OPTION? Three Filler Caps →

(Note only discharge valves N3 are correct for filler caps N10. Filler caps N11 can be used either with discharge valves N3 or N12+N13)



8

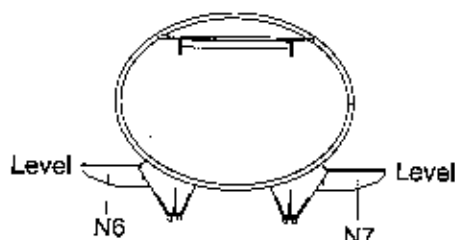
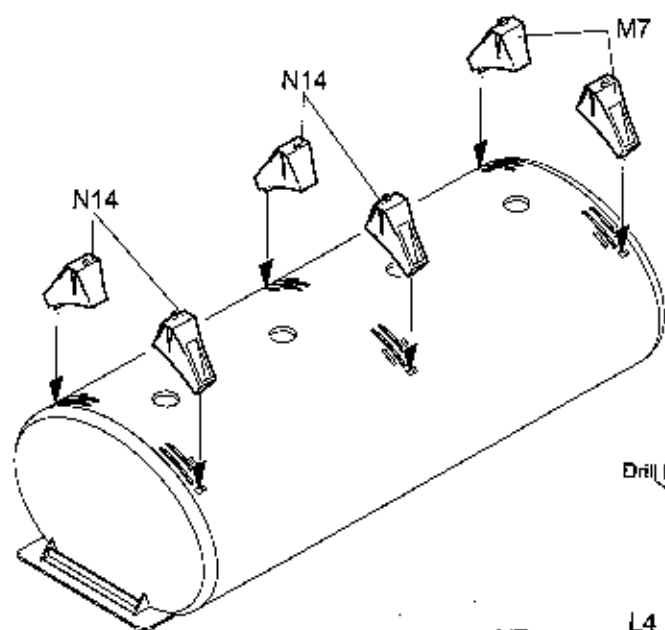
?OPTION - USE EITHER L1 & L2 FLAT END CAPS, OR L13 AND L14 DOMED END CAPS.



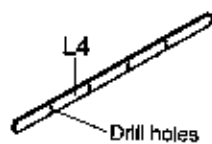
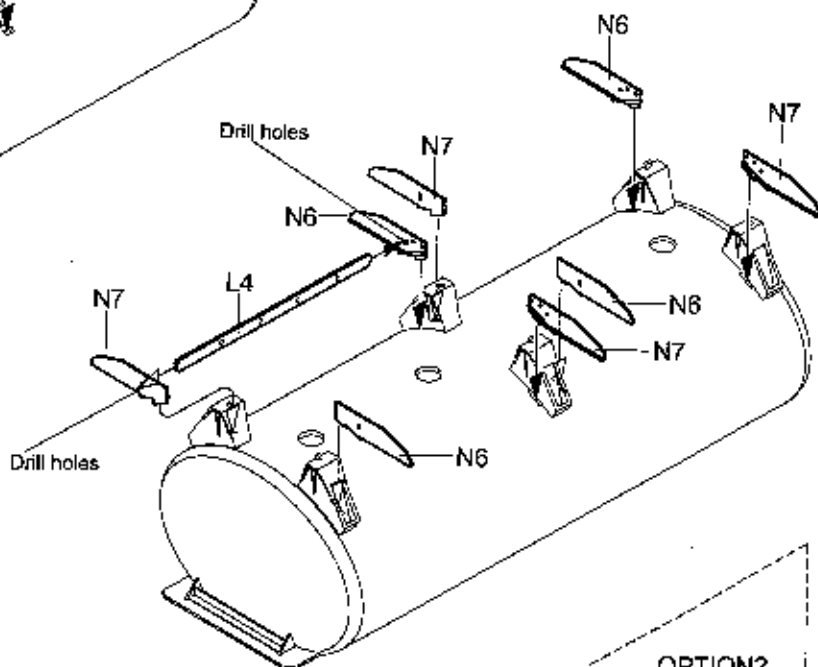
9

Do not mix up parts N14 and M7 - they are different where they locate to the chassis!

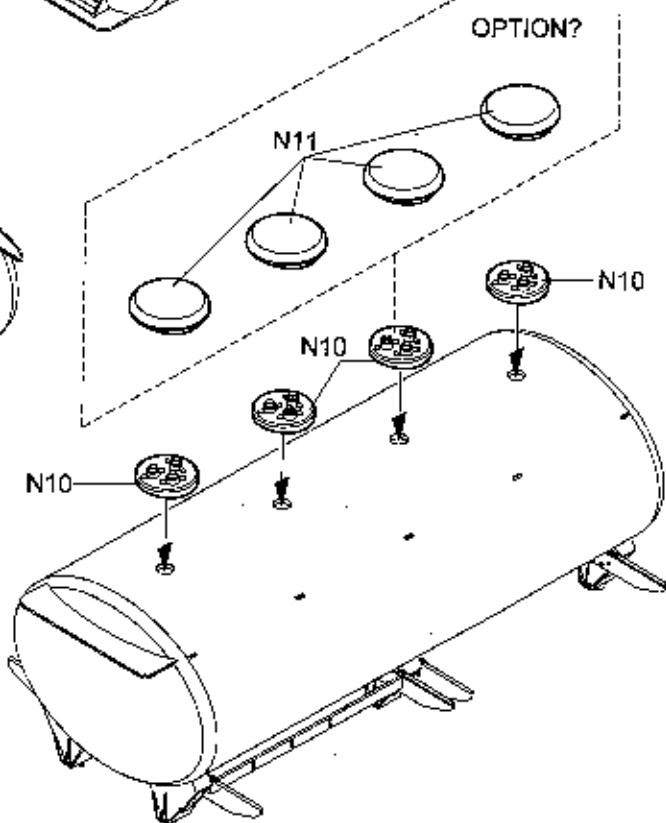
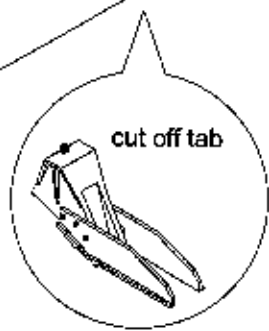
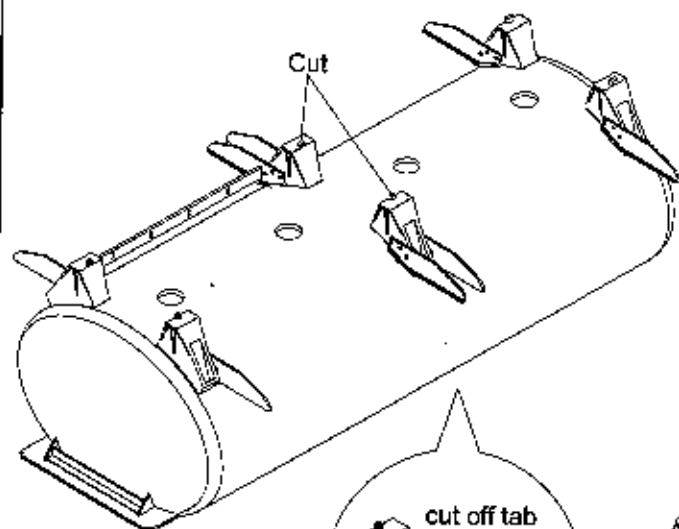
Note the tabs which fit into the tank body on parts N6 and N7 are different lengths to achieve correct orientation. Assemble strictly in location and sequence shown here. One piece N6 and one N7 need to be drilled/cut before glueing!

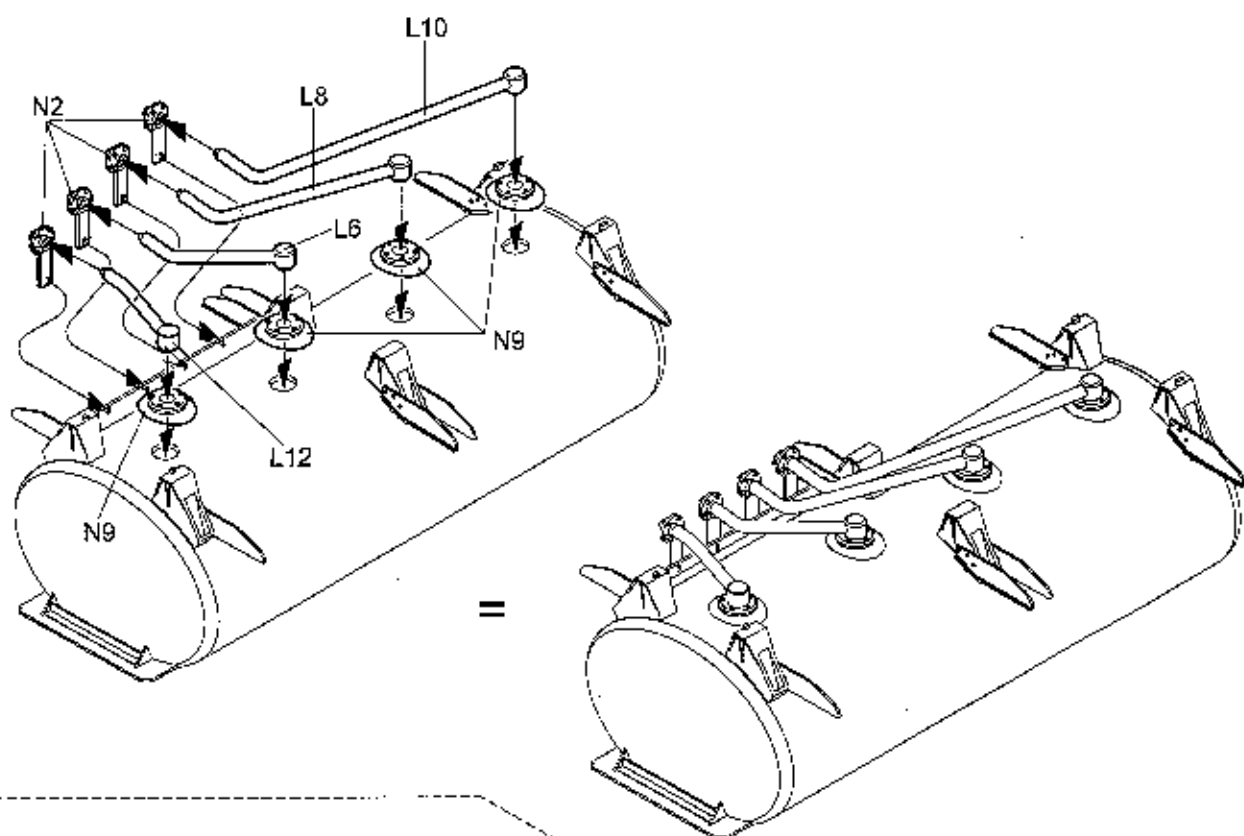
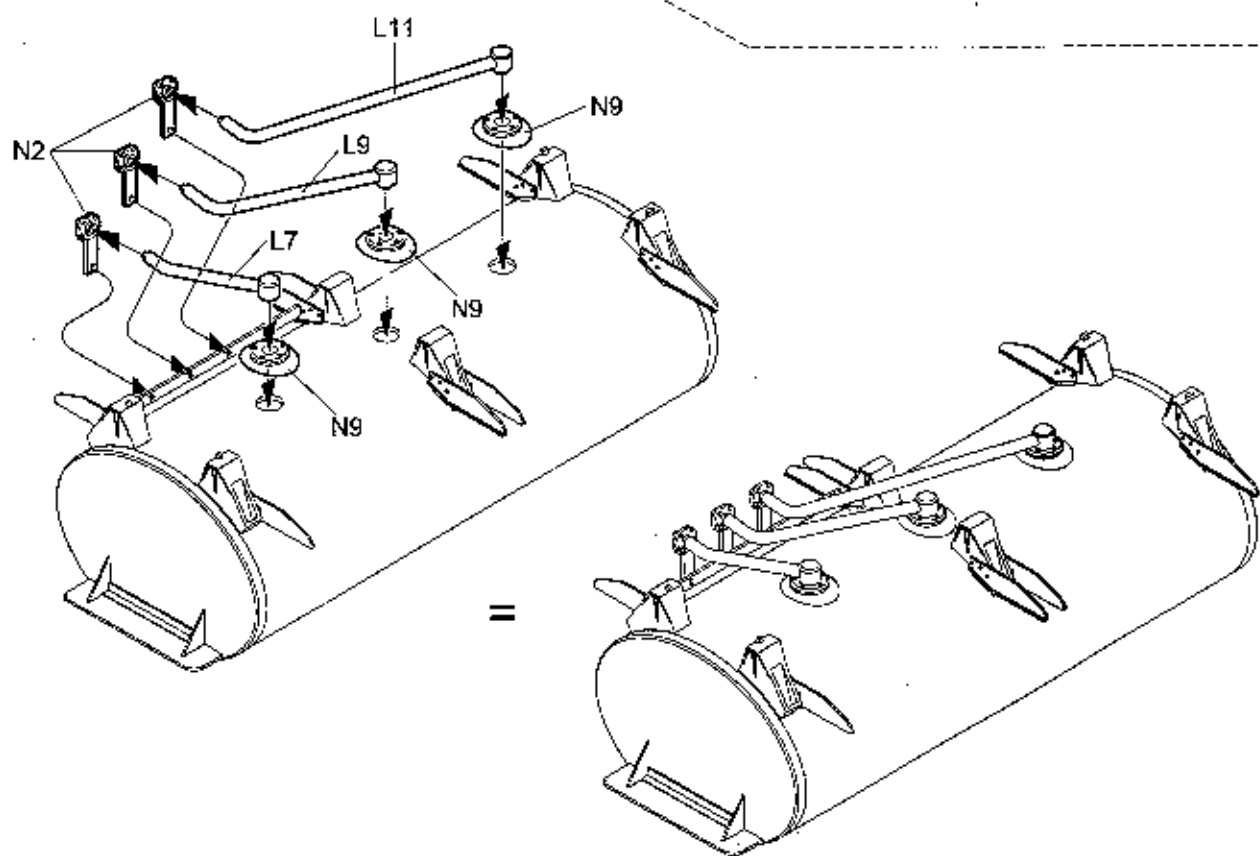


On one part N6 and one part N7 drill or cut the slot found on the flat non-riquet face to form a slot on the rivet face of each to accept the tabs on part L4.

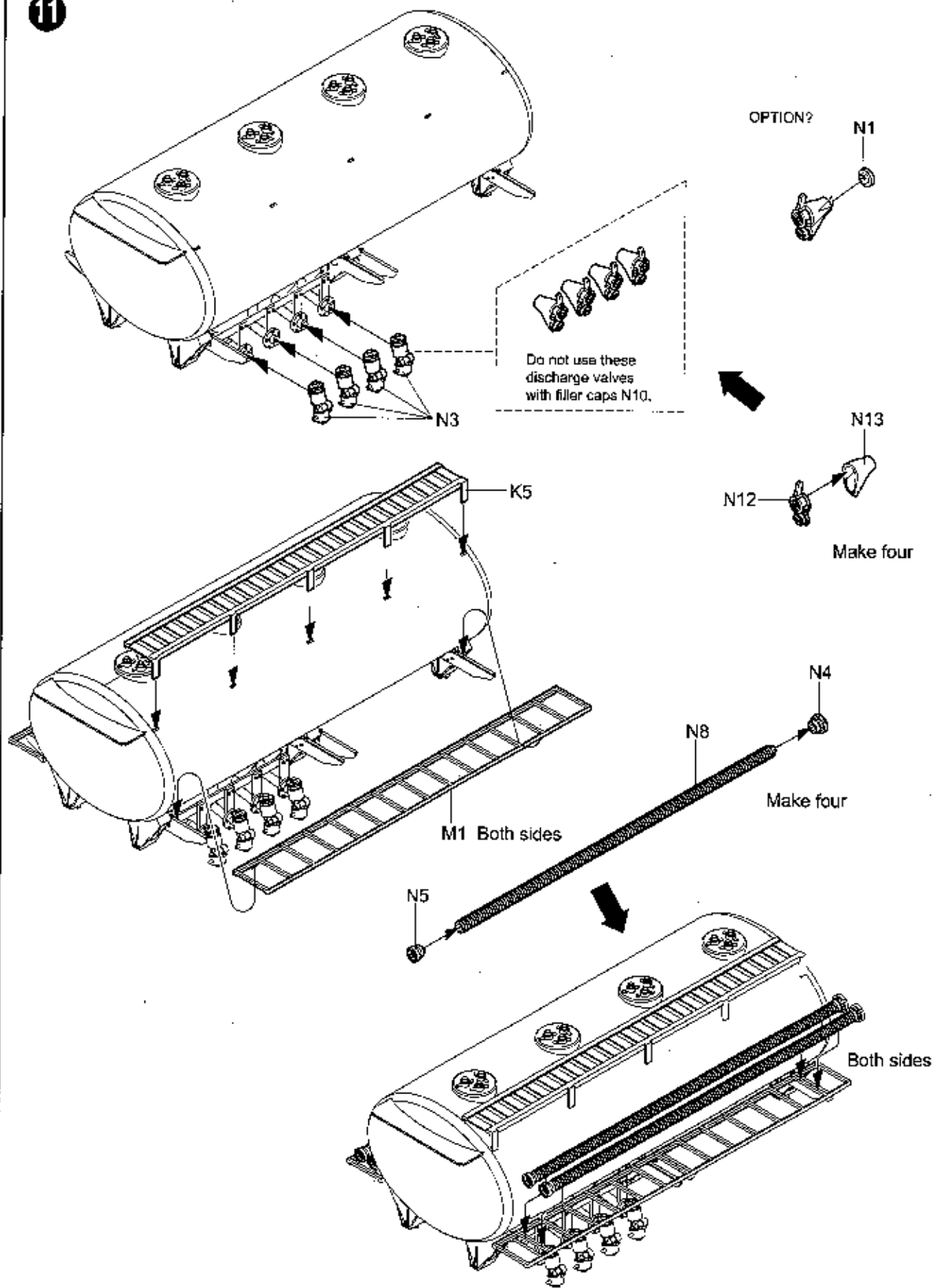


OPTION? Drill/cut one more location slot in part L4 if building the 4 discharge valve option.

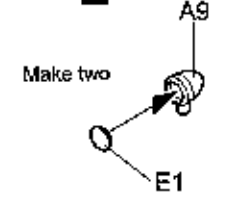
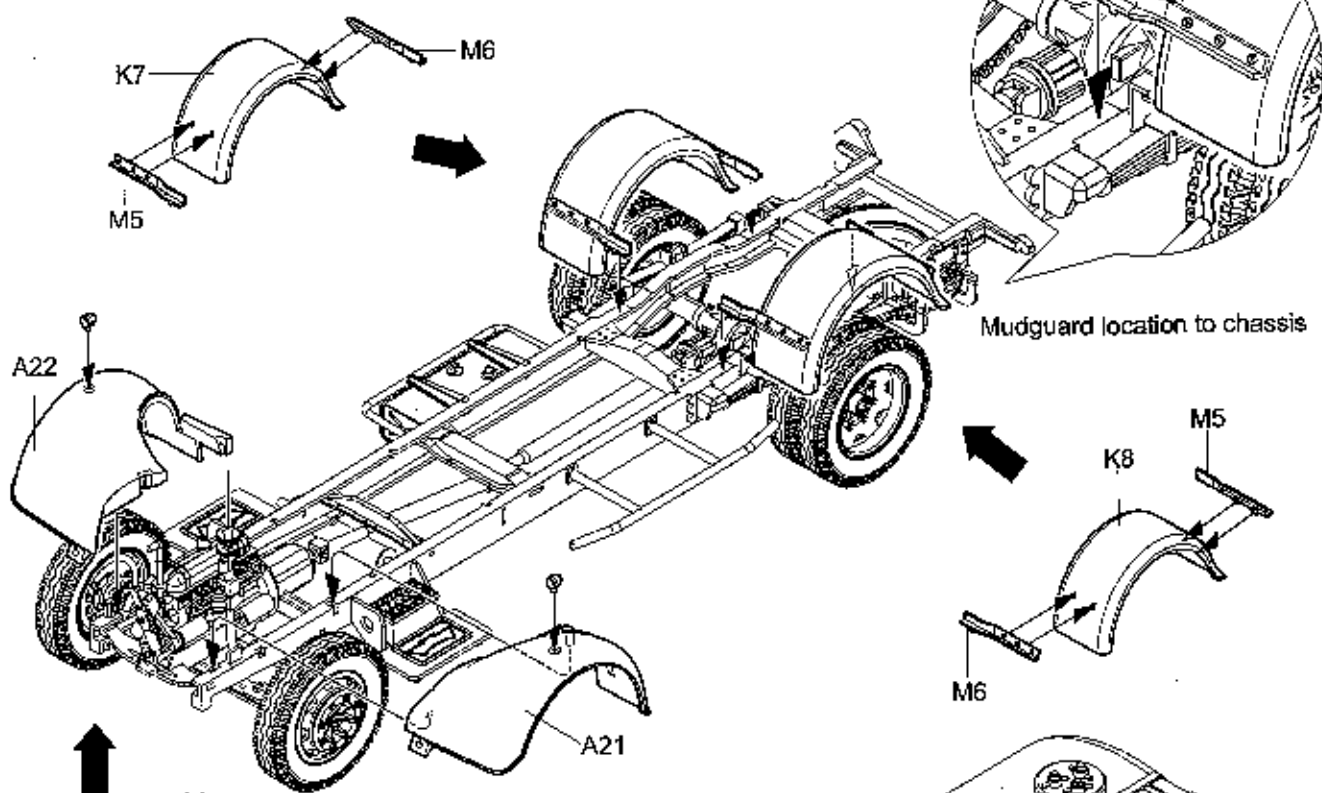


10**OPTION? FOUR DISCHARGE VALVES****OPTION? THREE DISCHARGE VALVES**

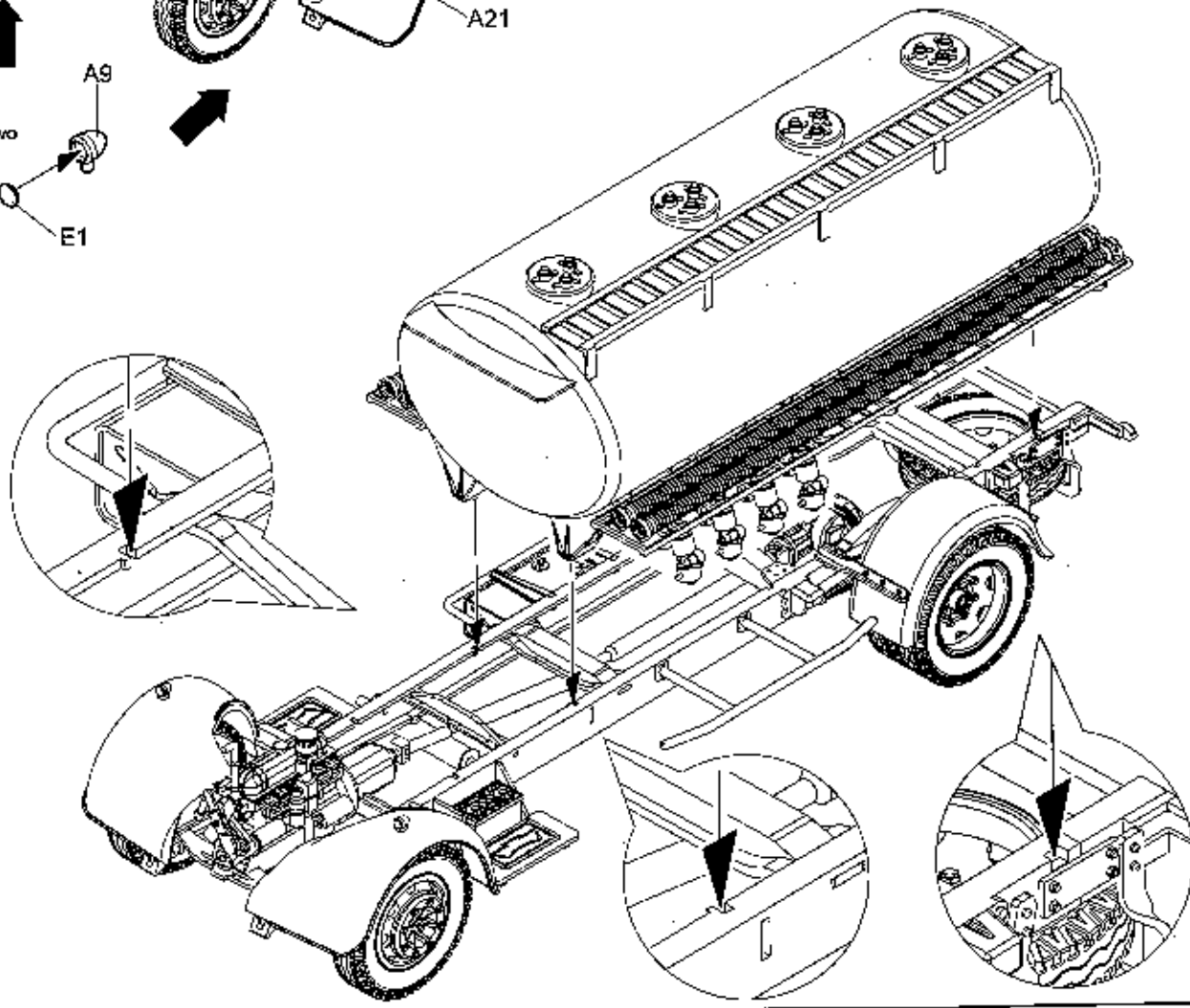
11

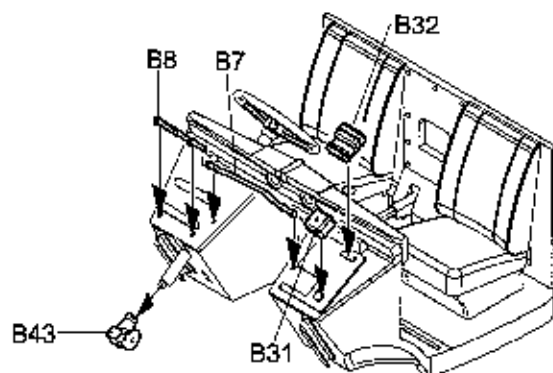
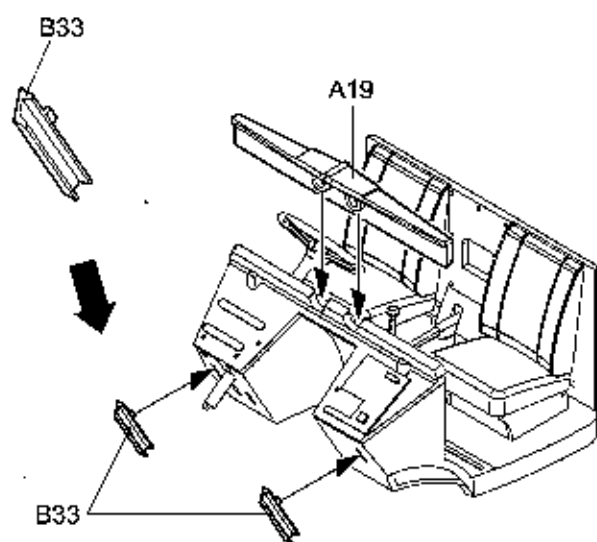
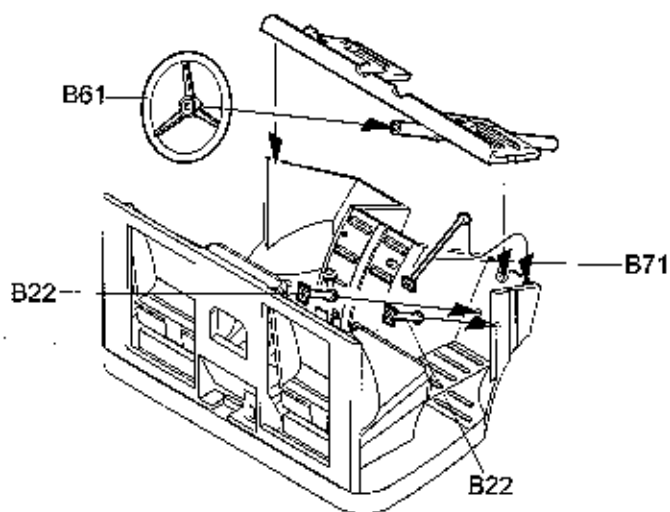
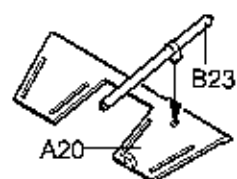
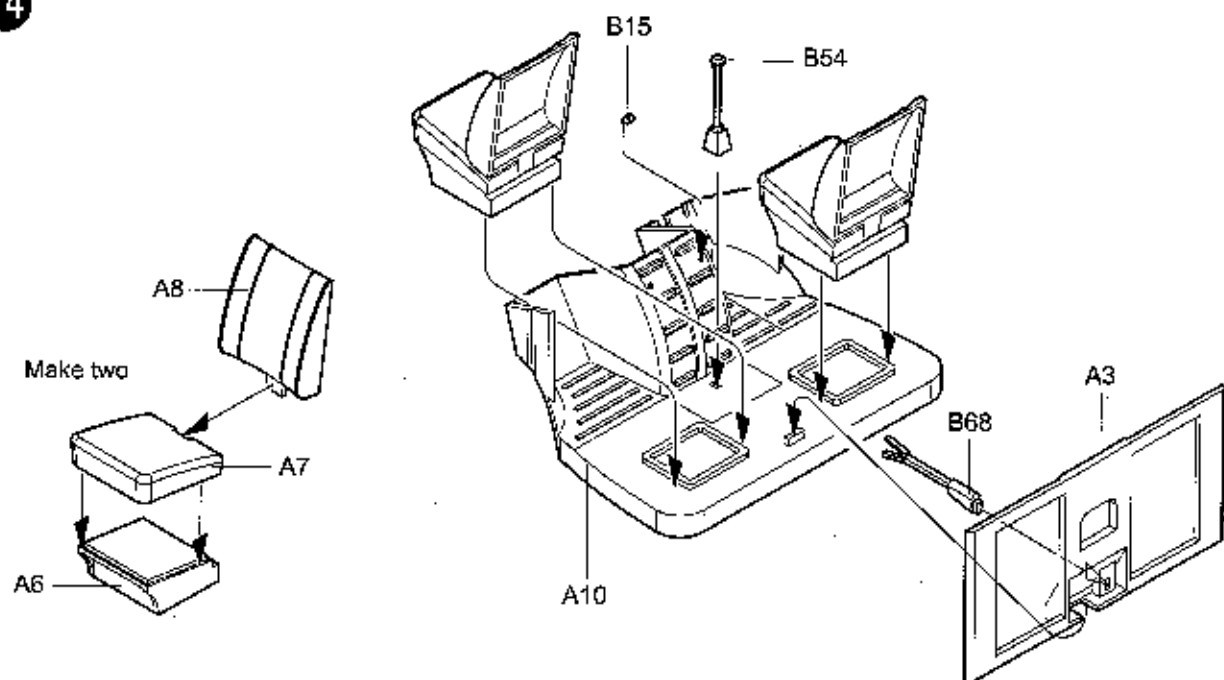


12

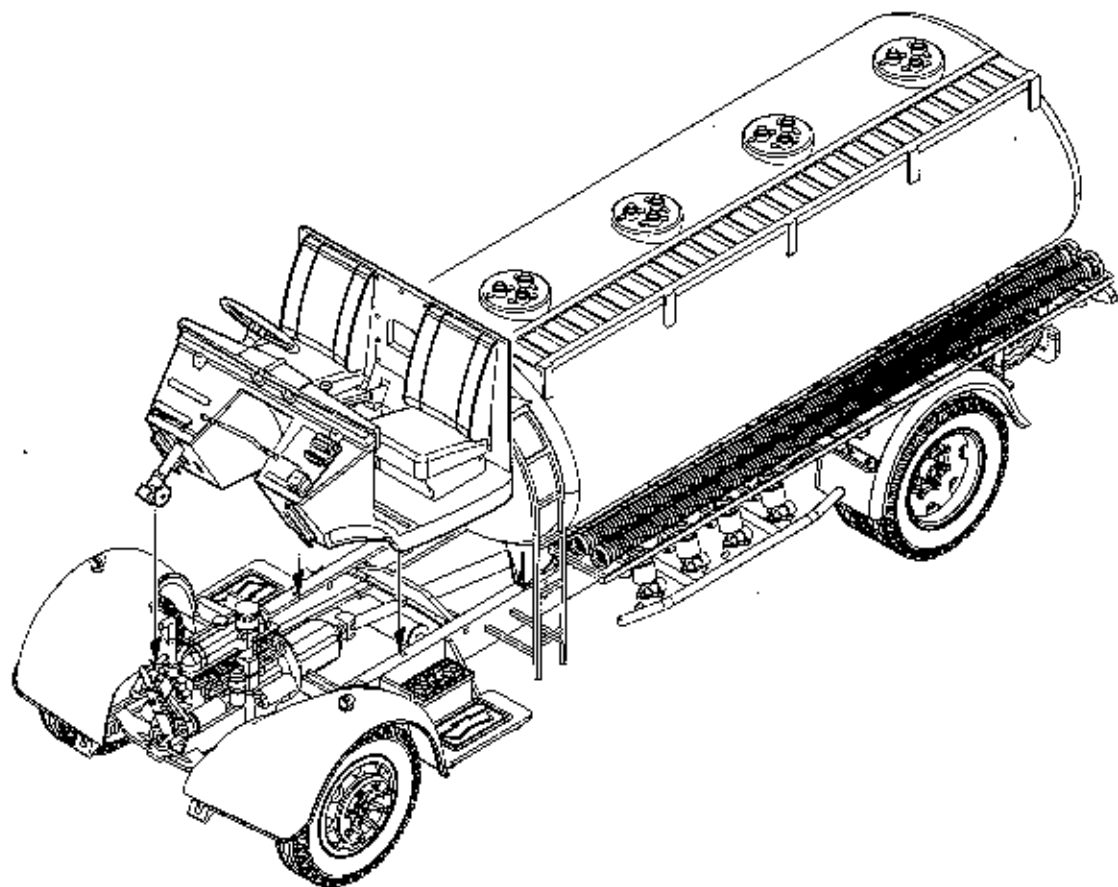
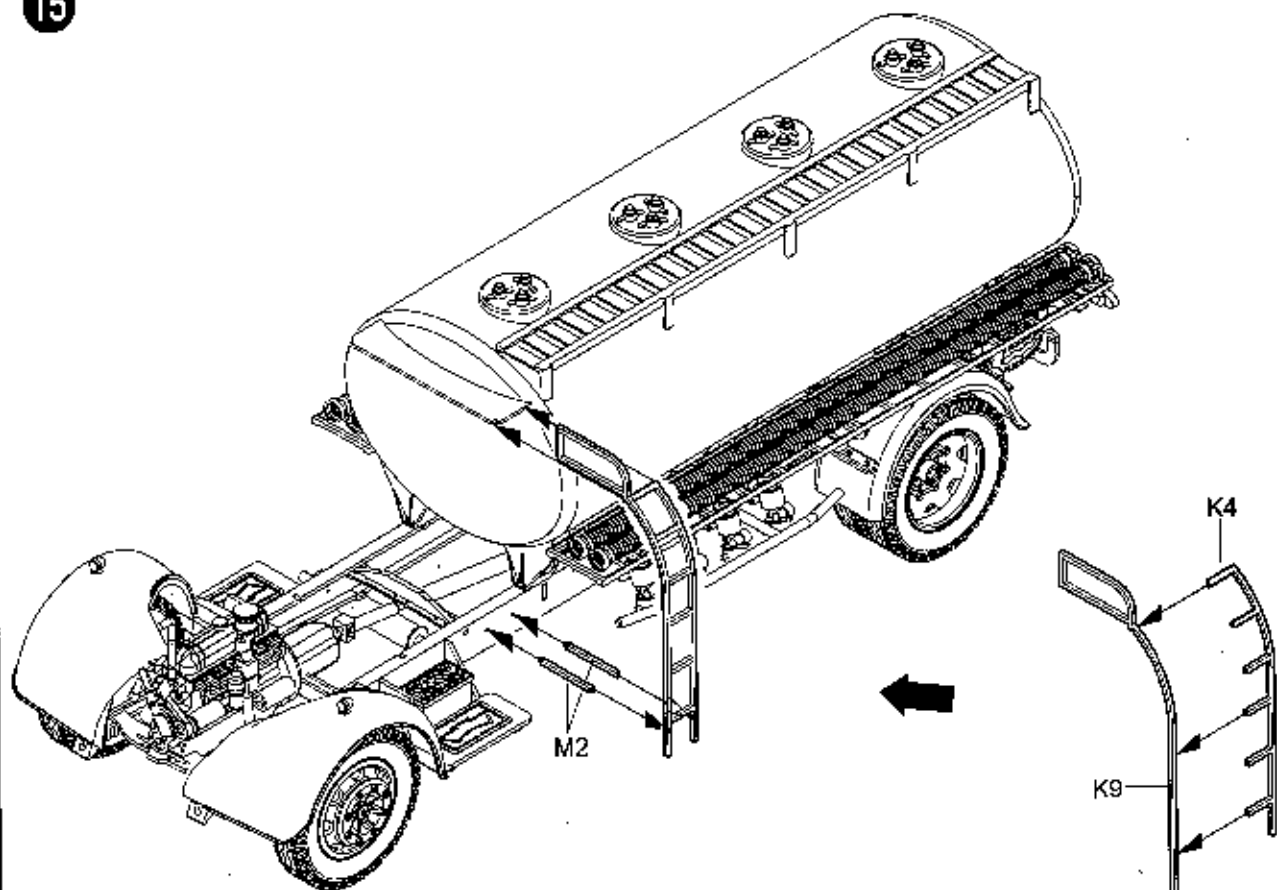


13





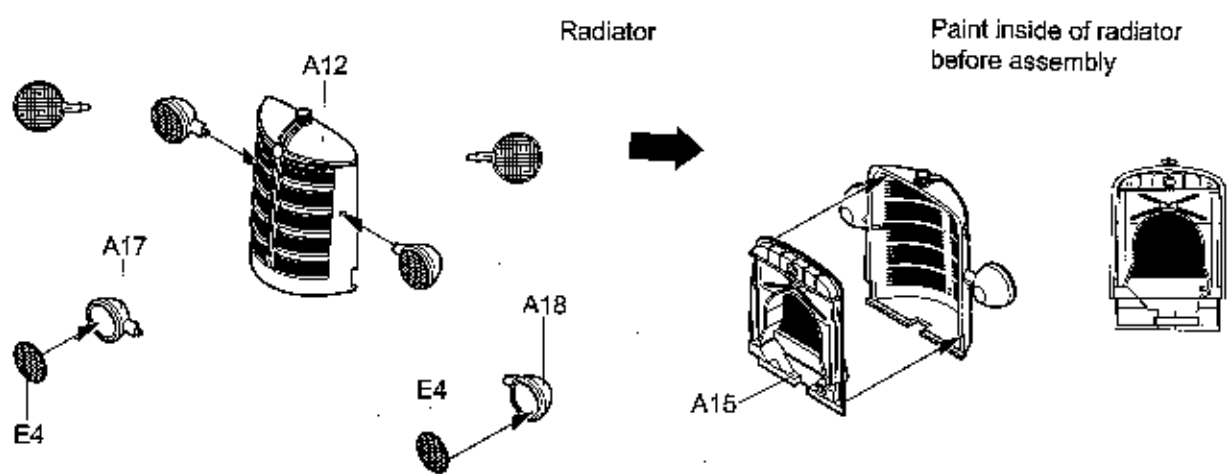
15



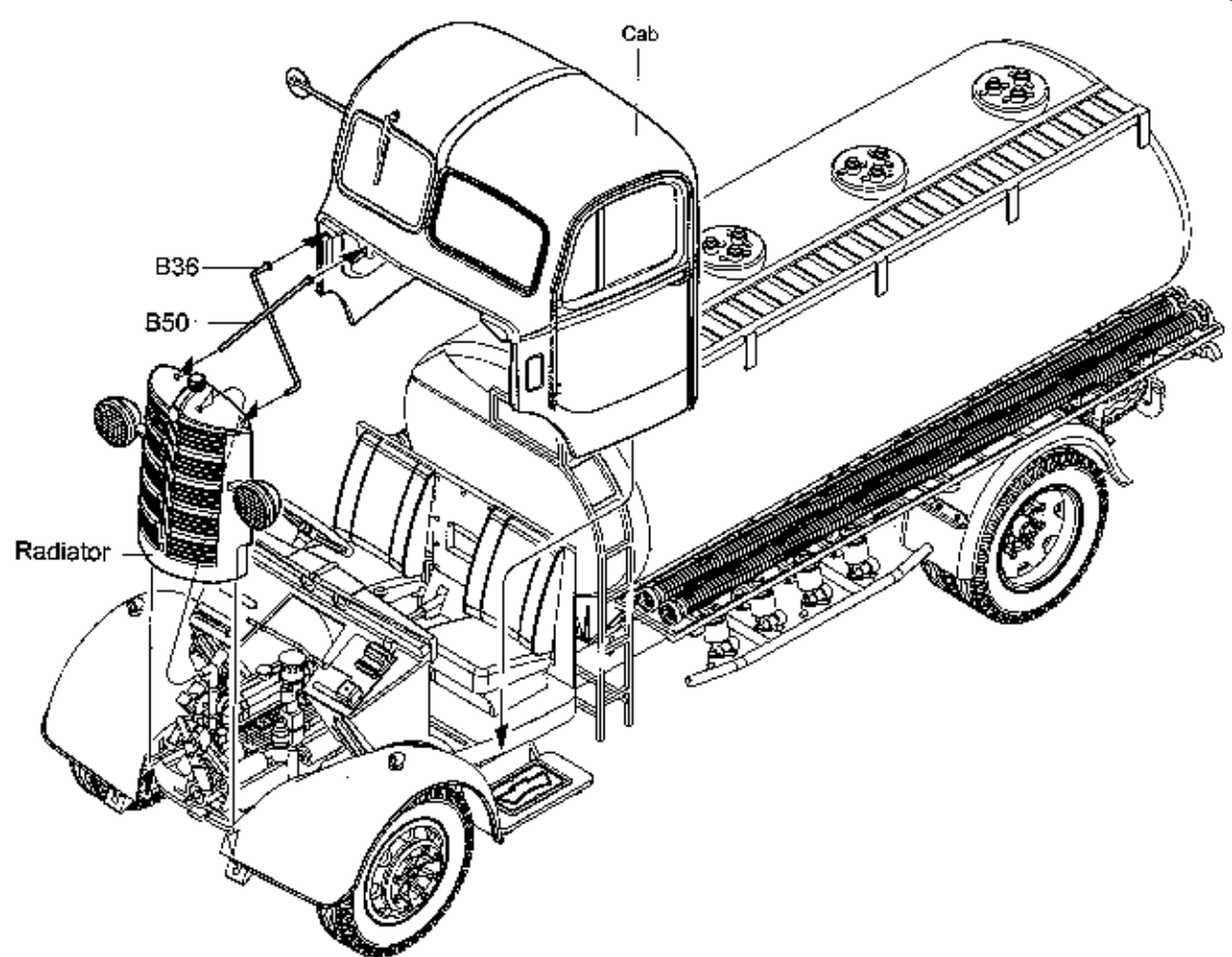
EM2403

14

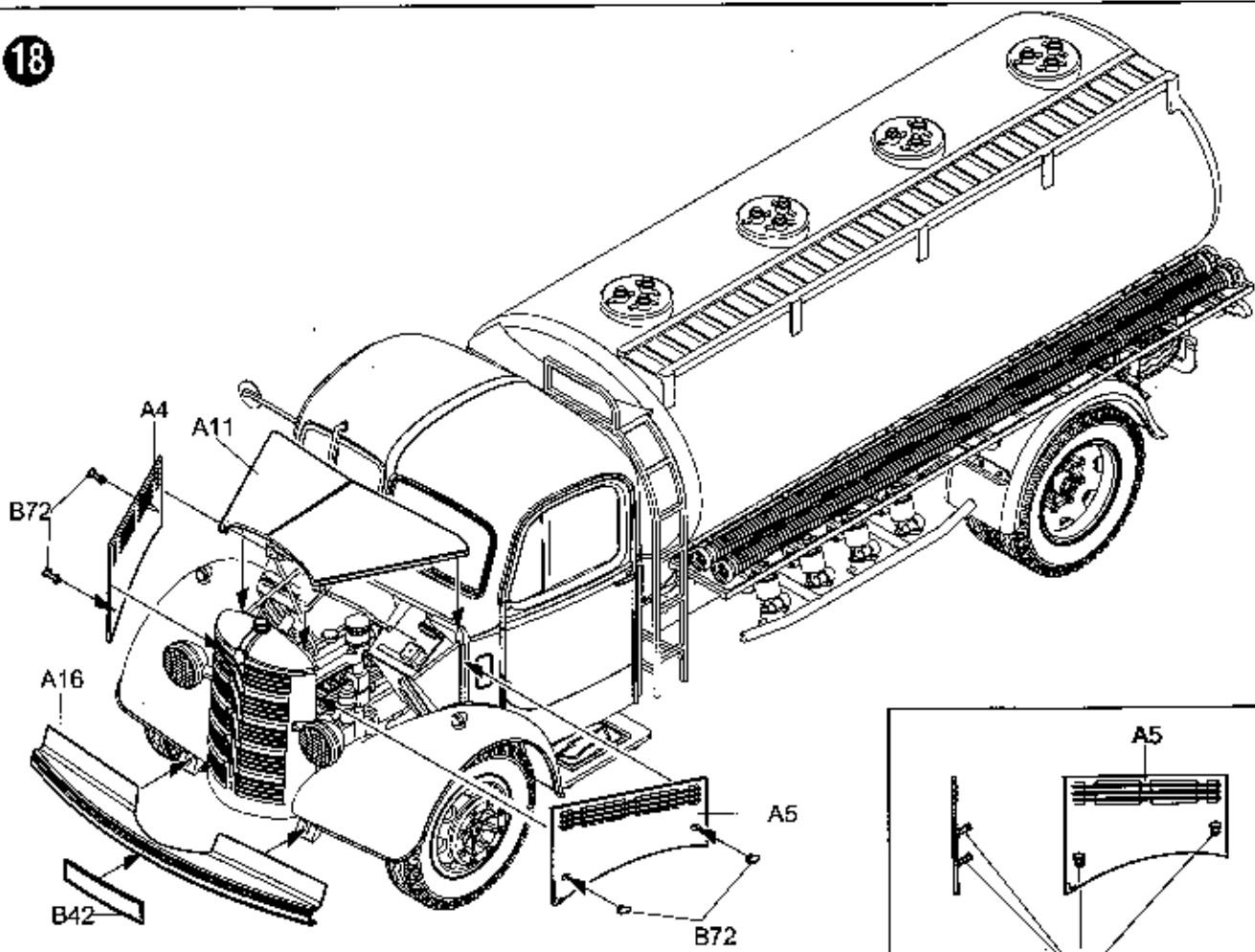
16



17



18



Number plate can be located in any suitable position, i.e. centre or offside above bumper or below bumper.

