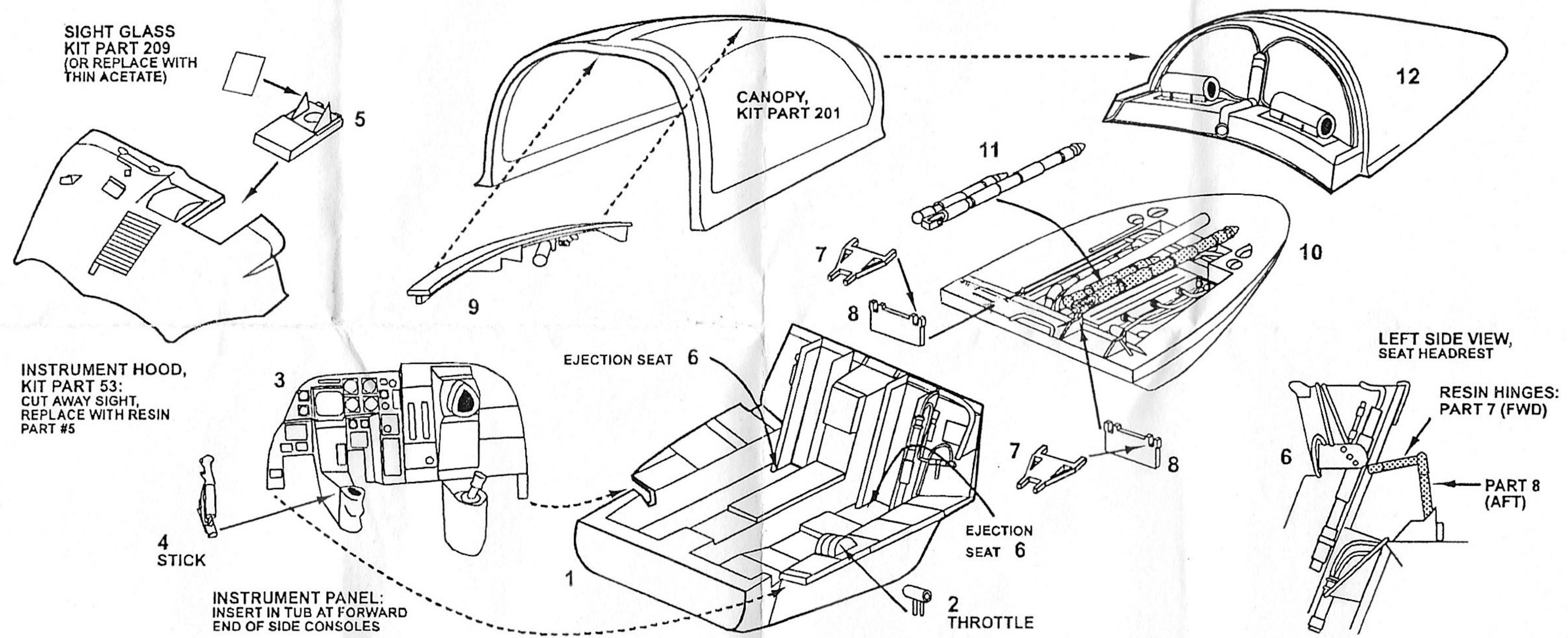


- PARTS:**
- |                          |  |
|--------------------------|--|
| 1. Cockpit Tub           | 7. Forward Seat Hinges- two (triangular) |
| 2. Throttle              | 8. Aft Seat Hinges- two (rectangular)    |
| 3. Instrument Panel      | 9. Canopy Centerline Overhead Panel      |
| 4. Pilot's Control Stick | 10. Aft Deck                             |
| 5. Weapons Sight         | 11. Aft Deck Pistons                     |
| 6. Ejection Seats- two   | 12. Aft Canopy Structure                 |

**Black Box #48001**  
**A-6E Intruder Cockpit Set**  
**For Revell-Monogram Kit 4578**

From 1964, through Vietnam and the Gulf War to present day, the A-6 Intruder has "carried the load" of US Naval Attack. Its mission has now being taken over by other aircraft but the A-6 design carries on in surveillance/jamming versions. Your Black Box Cockpit Set will help you create a fine model with well-detailed cockpit to be shown with open canopy.



*Use copper wire to form ejection seat loop at seat front/center, between pilots' knees.*

Thanks to Pete Harlem and the Machmaster.

**REFERENCES:**

- A-6E/ KA-6D, EA-6B, Lock On No.20, Peeters, Verlinden #798, Belgium, 1993.
- EA-6B Prowler & EA-6A Intruder, Aerofax Minigraph 7, Jenkins, 1985.
- Grumman A-6E Intruder, Aeroguide 15, Chesnau, Linewrights (UK), 1986.
- A-6 Intruder Walk Around #2, Drendel, Squadron/ Signal, 1994.

- A-6 Intruder in Detail & Scale, Number 24, Kinzey, Tab Books, 1987.
- EA-6B Prowler & EA-6A Intruder, Aerofile Extra No.2, Wogstad, Friddell, 1985.
- IPMS Update, Vol. 20 No.4 J/F 1985. (Instrument panels)