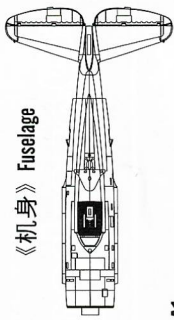
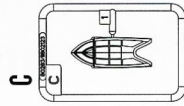
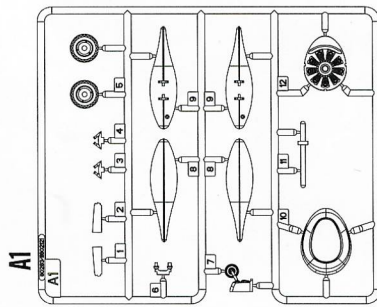
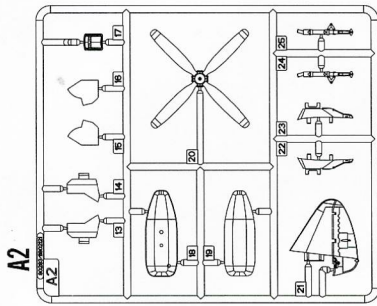
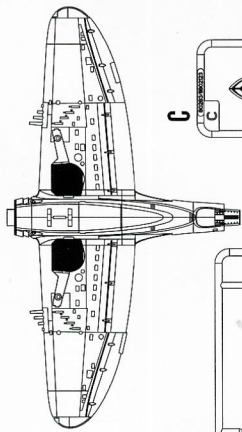


部品图 Parts

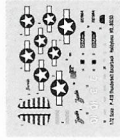


《机身》Fuselage

《机翼》Wing



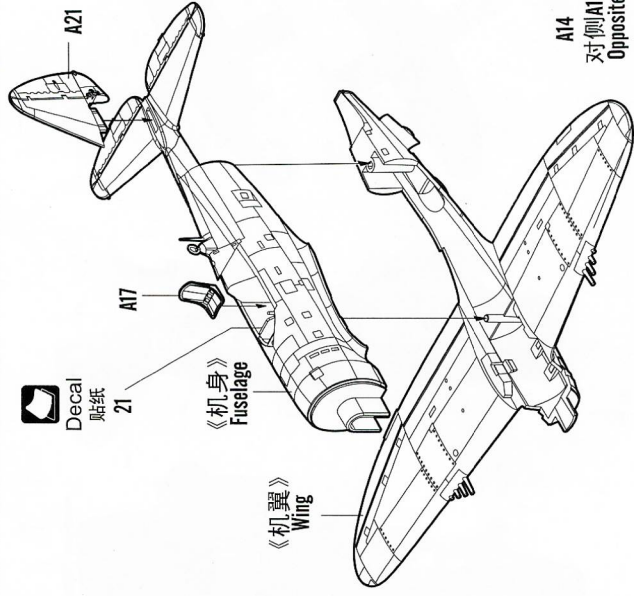
《水贴》Decal



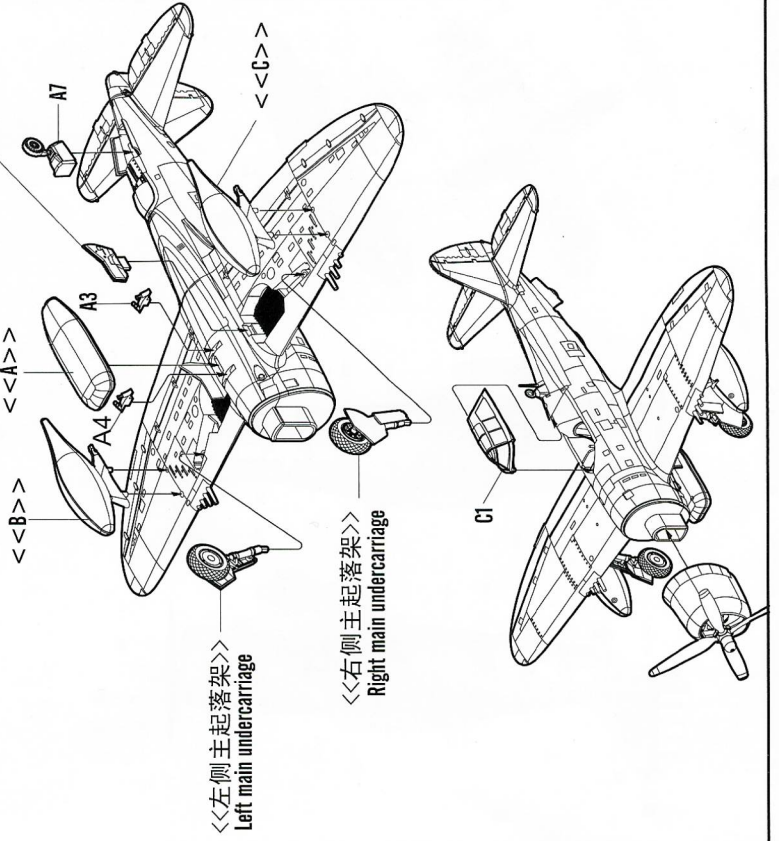
Decal 贴纸 Z1

《机身》Fuselage

《机翼》Wing

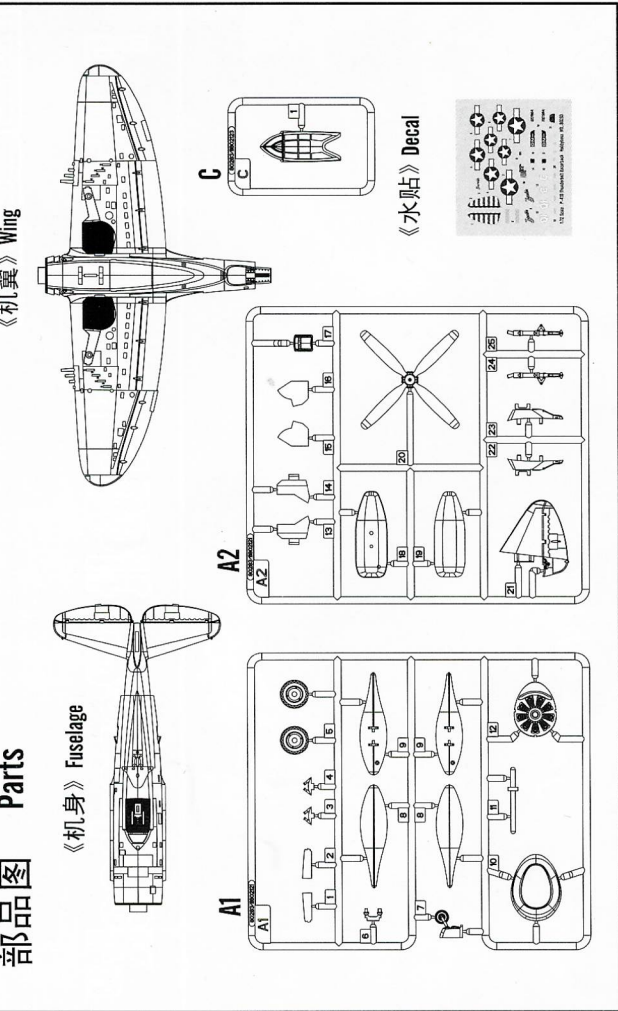


A14 对侧A13 Opposite



《左侧主起落架》Left main undercarriage

《右侧主起落架》Right main undercarriage



《左侧主起落架》Left main undercarriage

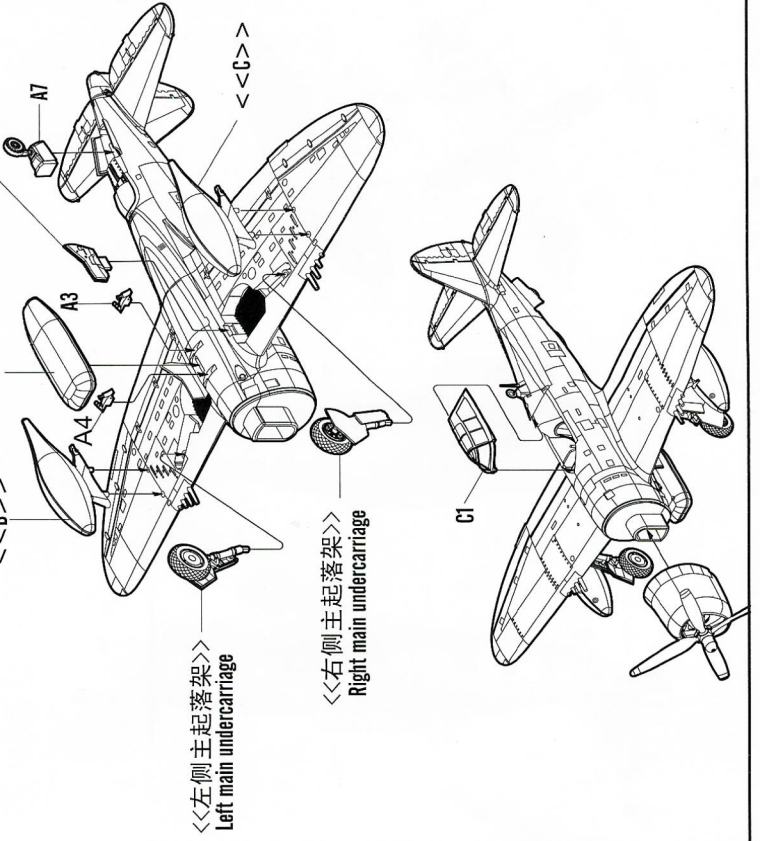
《右侧主起落架》Right main undercarriage

《水贴》Decal



Decal 贴纸 Z1

A14 对侧A13 Opposite



《左侧主起落架》Left main undercarriage

《右侧主起落架》Right main undercarriage

《水贴》Decal

1:72 SCALE

P-47D Thunderbolt "Razorback"



EASY ASSEMBLY AUTHENTIC KIT



强力胶
配重



配重



钻孔



切除



选择



不涂胶水



贴纸



弯曲



修补

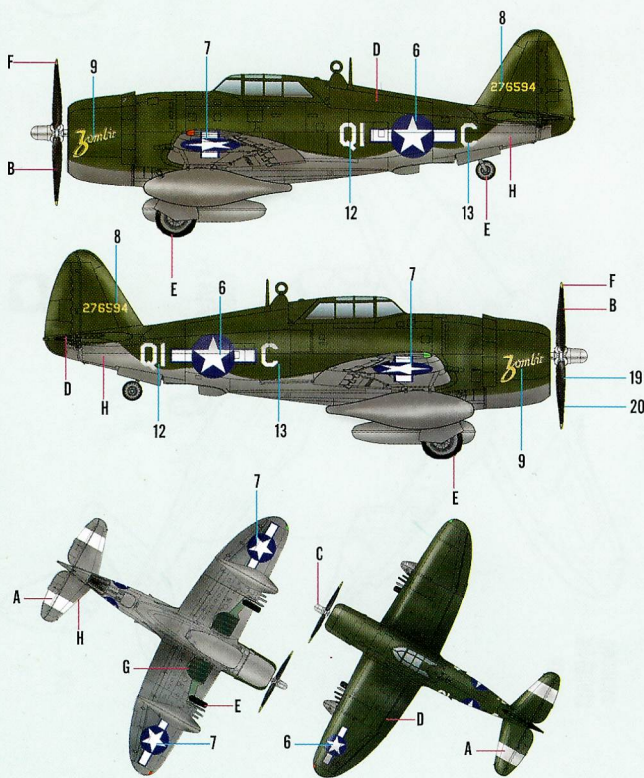
The way to apply the decals

1. Cut off the decal from the decal paper and put it into the warm water 40°C for 10 seconds.
2. Take the decal from the water and put it on a piece of clean cloth.
3. Remove the decal slowly from the paper to the targeted location by a wet finger.
4. Use a piece of dry and soft cloth to press it gently on the decal until it getting dry and no bubble existing.

水贴纸的使用方法:

- 一. 把相关的印花从水贴纸剪下, 放入40°C左右的温水中浸泡10秒。
- 二. 然后将印花放在干净的布上。
- 三. 拿上印花纸, 手指蘸水将印花移动到适当的位置。
- 四. 用软干布轻压印花直至水平, 气泡消失。

P-47D-20RE, 361FS, 356FG, Sth Air Force.

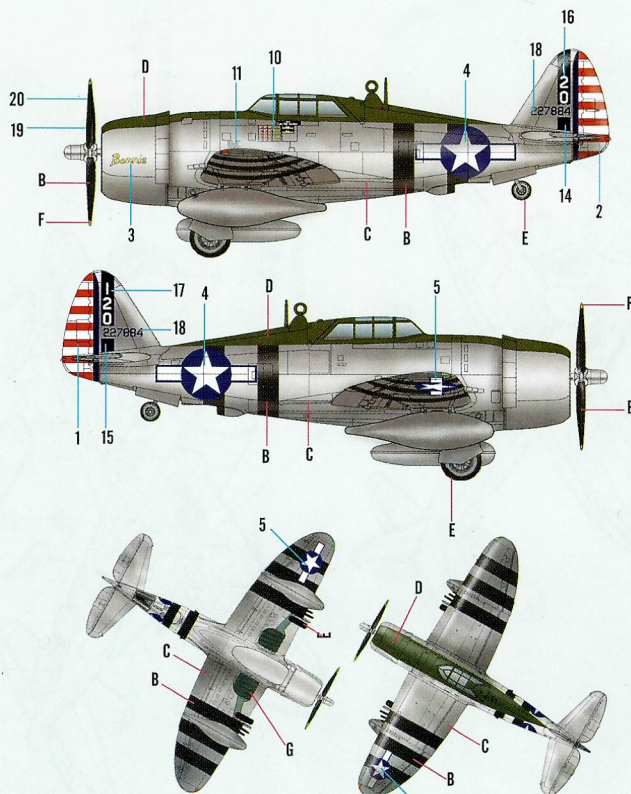


Color	Mr.Hobby
A 白色 White	H 1 1
B 消光黑 Flat Black	H 12 33

Color	Mr.Hobby
C 银色 Silver	H 8 8
D 橄榄色 Olive Drab	H 304 304

Color	Mr.Hobby
E 胎黑色 Tire Black	H 77 137
F 黄色 Yellow	H 4 4

P-47D, Flown by William D. Dunham, Southwest Pacific, 1943.



Color	Mr.Hobby
G 机体内绿色 Interior Green	H 58 27
H 灰色 Neutral Gray	H 53 13

※ Some paints may not be available in your country. Please check your local hobby shop for substitute