

# F-16C TEXAS ANG THE LONE STAR GUNFIGHTERS



## F-16C TEXAS ANG THE LONE STAR GUNFIGHTERS

The F-16 Fighting Falcon is a single-engine multirole fighter aircraft originally developed by General Dynamics for the United States Air Force (USAF). It is highly maneuverable and has proven itself in air-to-air combat and air-to-surface attack. It provides a relatively low-cost, high-performance weapon system for the United States and allied nations. The F-16C (single seat) and F-16D (two seat) variants entered production in 1984. The first C/D version was the Block 25 with improved cockpit avionics and radar which added all-weather capability with beyond-visual-range (BVR) AIM-7 and AIM-120 air-air missiles. Block 30/32, 40/42, and 50/52 were later C/D versions.

The Texas Air Guard's Fighter Wing 'Lone Star Gunfighters', stationed at Kelly Field Annex, which is a part of Joint Base San Antonio.

For its federal mission, the unit falls under the umbrella of Air Education and Training Command (AETC). Looking back in the annals of Lone Star Gunfighters history, the unit was formed officially on 1 July 1960, however, its lineage dates back to June of 1943 as the 396th Fighter Squadron flying the Republic P-47 Thunderbolt. The command served with distinction during World War II in the European Theater, earning several national level awards by both foreign governments and our own Department of Defense. A year following the end of the war, the unit was inactivated on 20 August 1946, but re-designated the 182nd Fighter Squadron the next day. In October of 1947, the unit was officially recognized as an Air National Guard command. The Texas ANG units are the most common to send aircraft to represent USAF on airshows and aviation events around the world.

### CAUTION

- \*Read carefully and fully understand the instructions before commencing assembly.
- \*Keep out of reach of children. Children must not be allowed to put any parts in their mouths, or pull plastic bag over their heads.
- \*When using adhesives and paints, please make sure not to use them in closed room or near the fire.
- \*When assembling this kit, tools including knives are used. Extra care should be taken to avoid injury.

**WARNING: CONTAIN SMALL PARTS NOT FOR CHILDREN UNDER 14 YEARS OF AGE.**



Drill



Remove



2 Set



Bend



Optional



Decal



Super Glue



Fill Hole



No Cement



Be Careful

### TOOLS RECOMMENDED

Cement



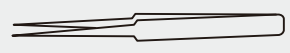
Side Cutter



Modeling Knife



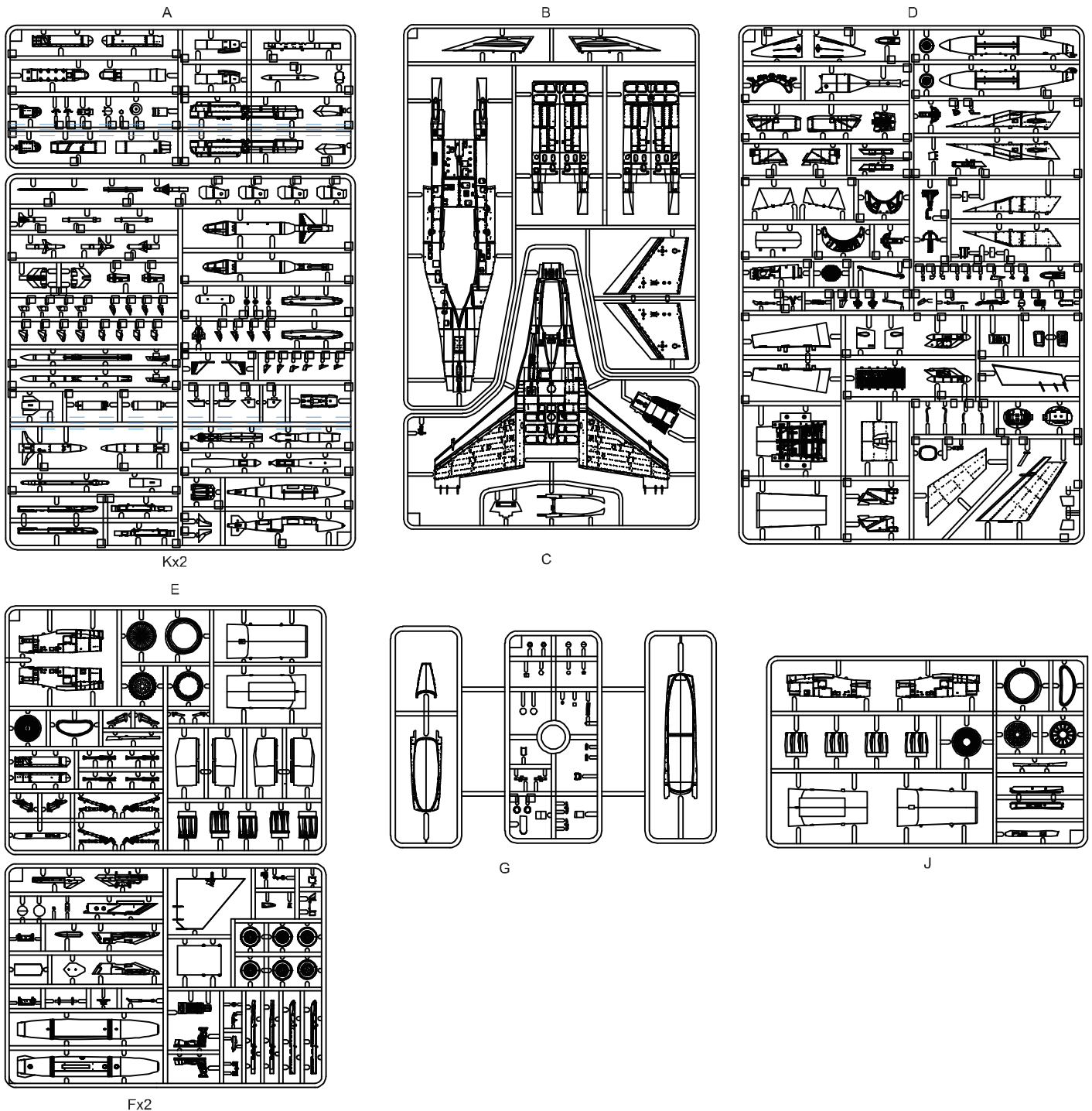
Tweezers



**AFTERMARKET SERVICES CARD**

When requesting replacement parts, please take or send this form to your local dealer so that the parts required can be correctly identified. Please note that specifications and availability are subject to change without notice. Or visit <http://www.kineticmodel.com> for latest information. For more information, please contact [services@kineticmodel.com](mailto:services@kineticmodel.com)

Part Code	K48146	Qty	Item	Part Code	Qty	Item
00-180-001	1/48 MODERN US TARGETING POD	1	A	00-180-009	1	J
00-180-002	1/48 F-16 LOWER FUESLAGE	1	B	00-180-010	2	K
00-180-003	1/48 F-16A/C UPPER FUESLAGE	1	C	01-100-001	1	DECAL
00-180-004	1/48 F-16 MAIN PARTS	1	D	01-180-48146	1	DECAL
00-180-005	1/48 NSI INTAKE and LANDING GEAR	1	E	03-180-48146	1	MANUAL
00-180-006	1/48 F-16 FUEL TANKS, SEATS	2	F	04-180-48146	1	PAINING GUIDE
00-180-007	1/48 F-16 CANOPY	1	G			

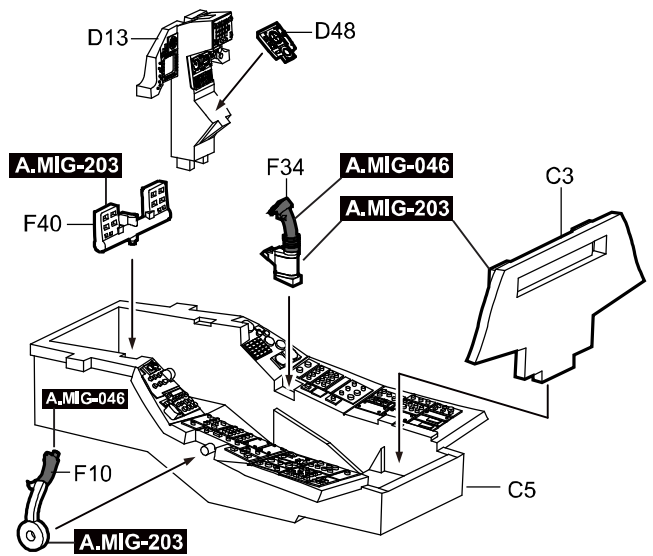
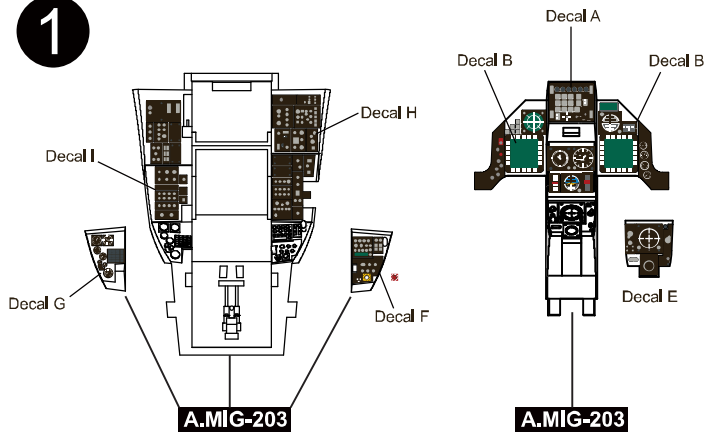




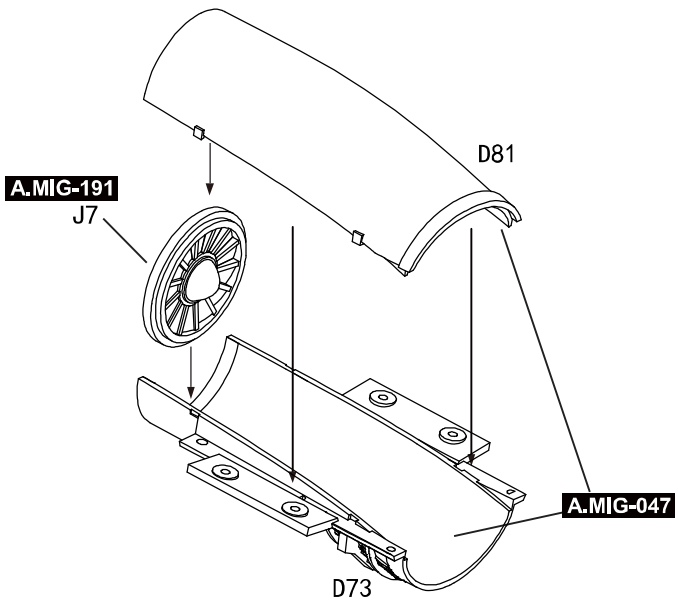
COLOR	AMMO MIG	VALLEJO MODEL COLOR	GSI CREOS MR. COLOR	TAMIYA ENAMEL/ACRYLIC	HUMBROL ENAMEL
GUN METAL	A.MIG-045	70.863	78	X-10	53
MATT BALCK	A.MIG-046	71.057	33	XF-1	33
SATIN WHITE	A.MIG-047	70.842	1	X-2	22
YELLOW	A.MIG-048	71.002	4	XF-3	69
BLUE	A.MIG-086	71.089	323/5	X-4	14
CRYSTAL RED	A.MIG-093	70.934	47	X-27	220
CRYSTAL BLUE	A.MIG-098	70.938	50	X-23	-
BURNT IRON	A.MIG-187	71.073	61	XF-4	-
STEEL	A.MIG-191	70.864	28	-	27003
SILVER	A.MIG-195	71.063	8	X-11	11
GOLD	A.MIG-198	71.066	9	X-12	16
GHOST GRAY FS 36375	A.MIG-203	70.990	308	-	-
GUNSHIP GRAY	A.MIG-204	71.047	305	XF-77	125
FS36320	A.MIG-208	71.120	307	-	128
FS336270	A.MIG-211	71.275	306	-	126
DARK OILVE DRAB	A.MIG-237	71.016	12	XF-62	-
SATIN BLACK	A.MIG-032	70.861	2	X-18	21
CLEAR YELLOW	-	70.937	48	X-24	-
FS 36495	A.MIG-209	71.276	338	-	-
FS 11136	A.MIG-121	70.908	327	X-7	153
FS 15044	A.MIG-103	70.839	65	-	-
FS 34102	A.MIG-003	71.126	312	XF-71	-
FS 34079	A.MIG-206	71.294	309	XF-13	116
FS 30219	A.MIG-202	71.125	310	XF-59	062
FS 36622	A.MIG-226	71.296	311	-	028
FS 36251	A.MIG-059	71.050	-	-	-
FS 36076	-	71.048	-	-	-
FS 36170	-	71.280	-	-	-

For Color Profile, please go to [www.kineticmodel.com](http://www.kineticmodel.com) for download  
(type the kit# and go for manual/painting guide)

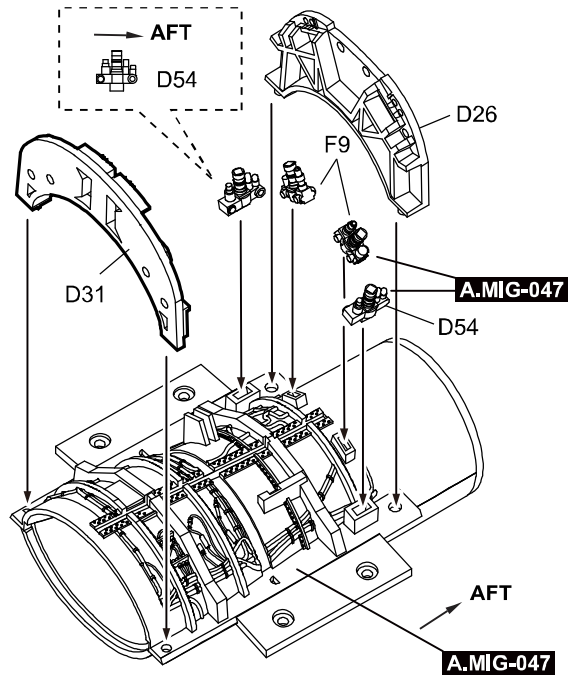
1



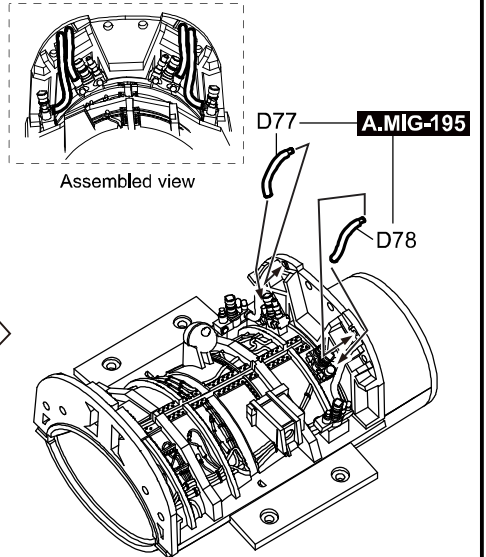
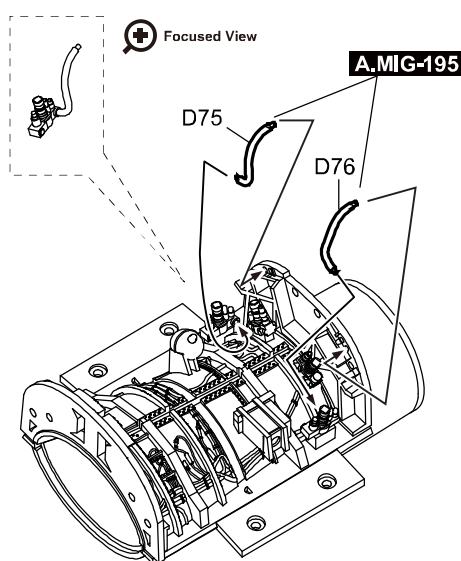
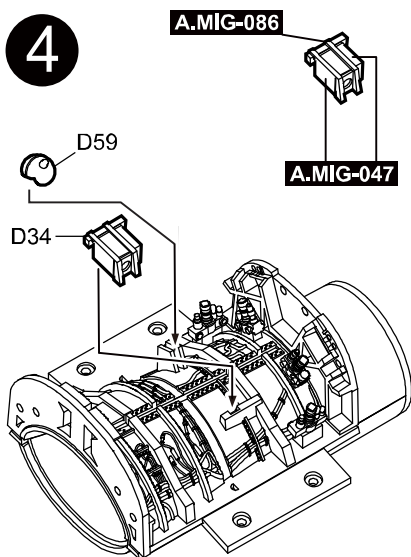
2



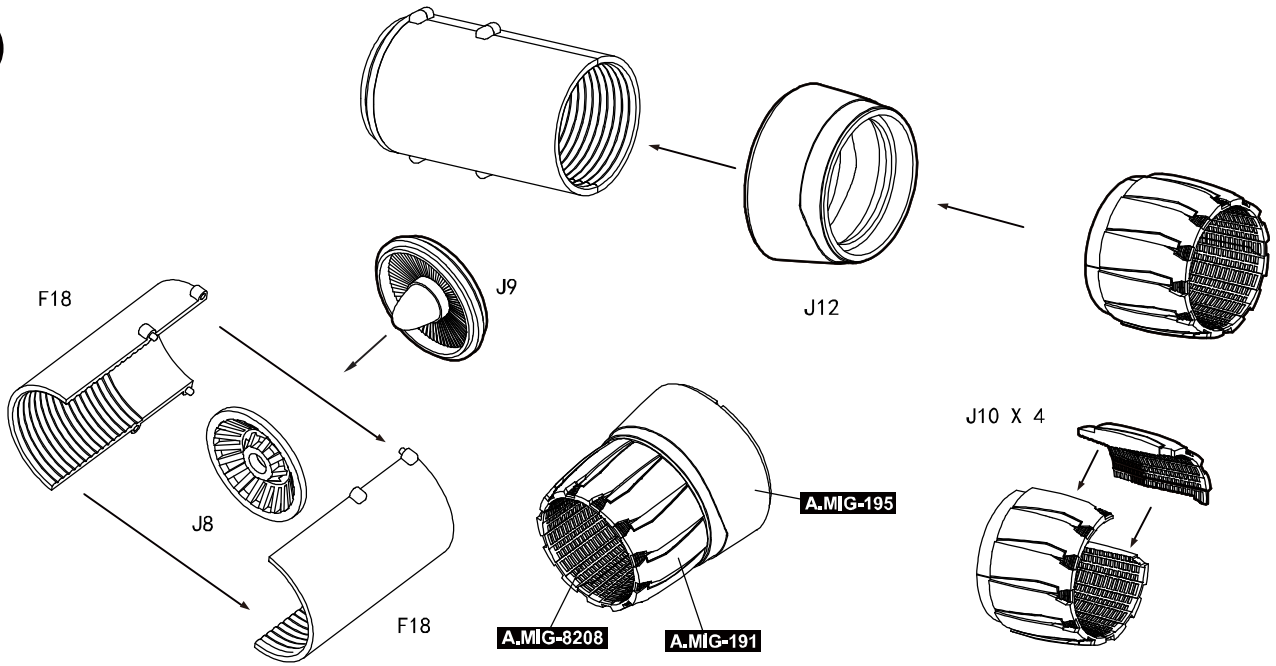
3



4



5

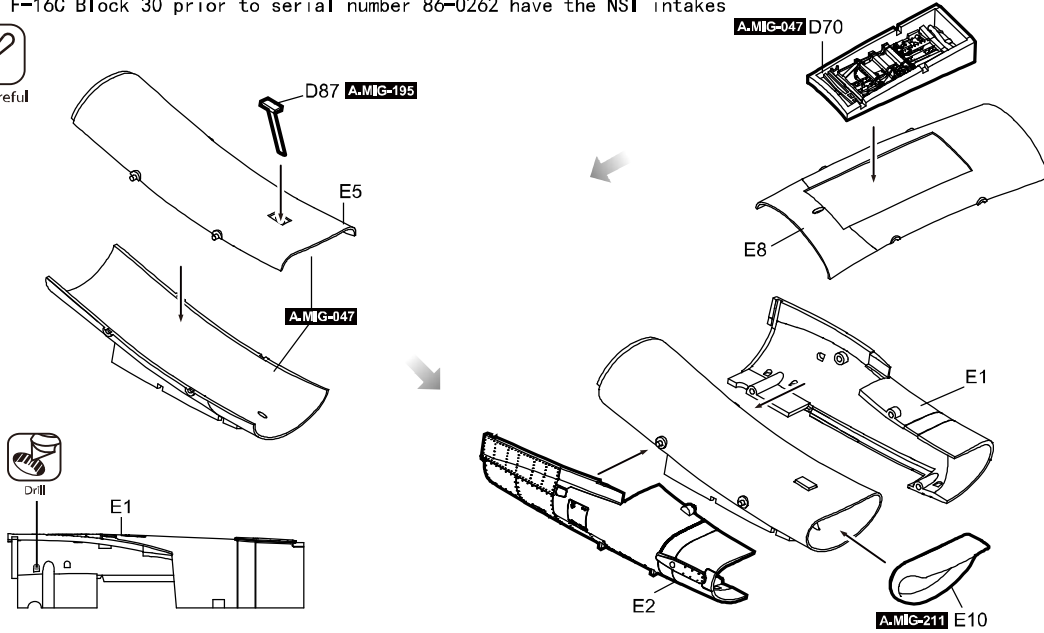


6

Marking 1 & 3  
 The F-16C Block 30 prior to serial number 86-0262 have the NSI intakes



Be Careful

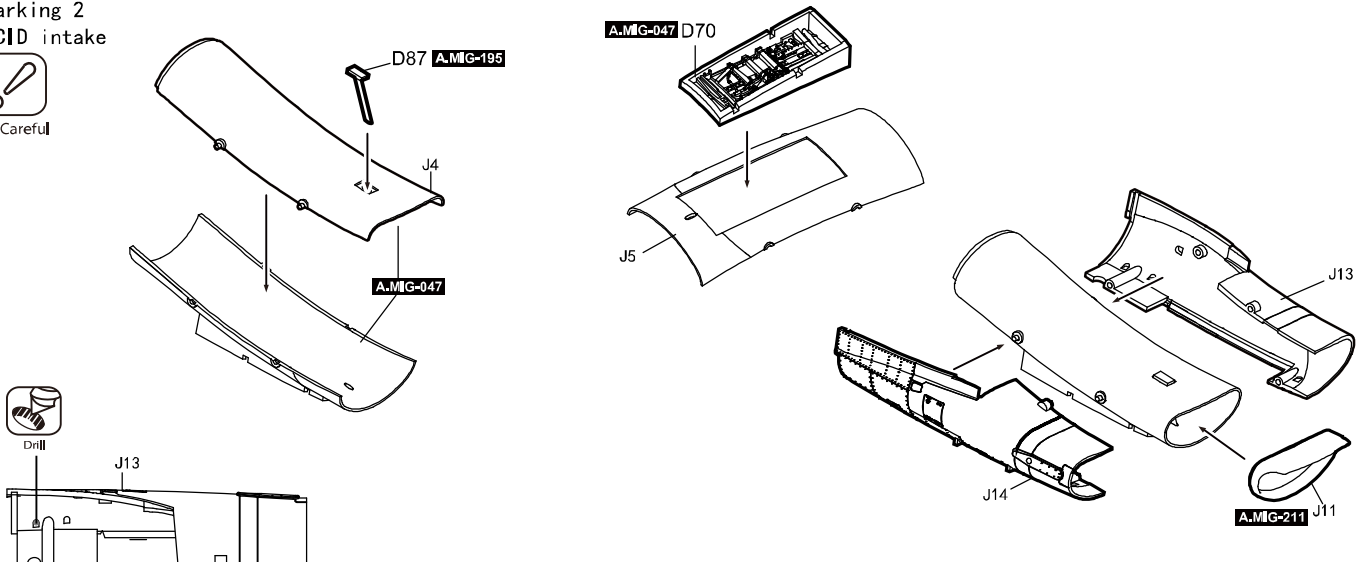


Optional

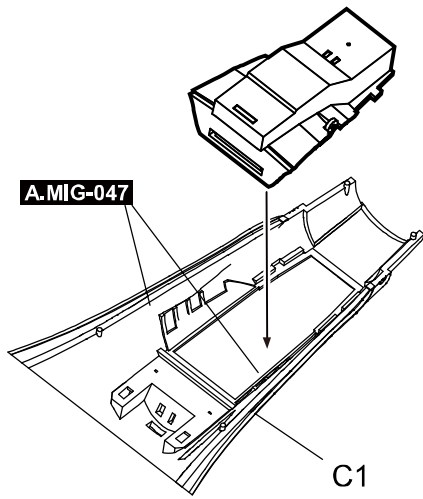
Marking 2  
 MCID intake



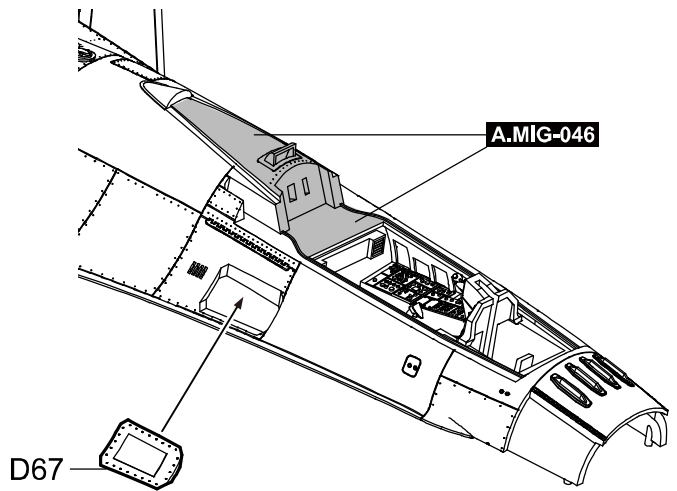
Be Careful



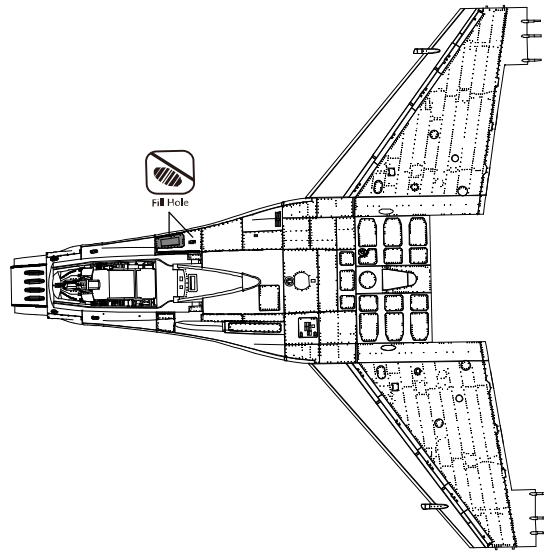
7



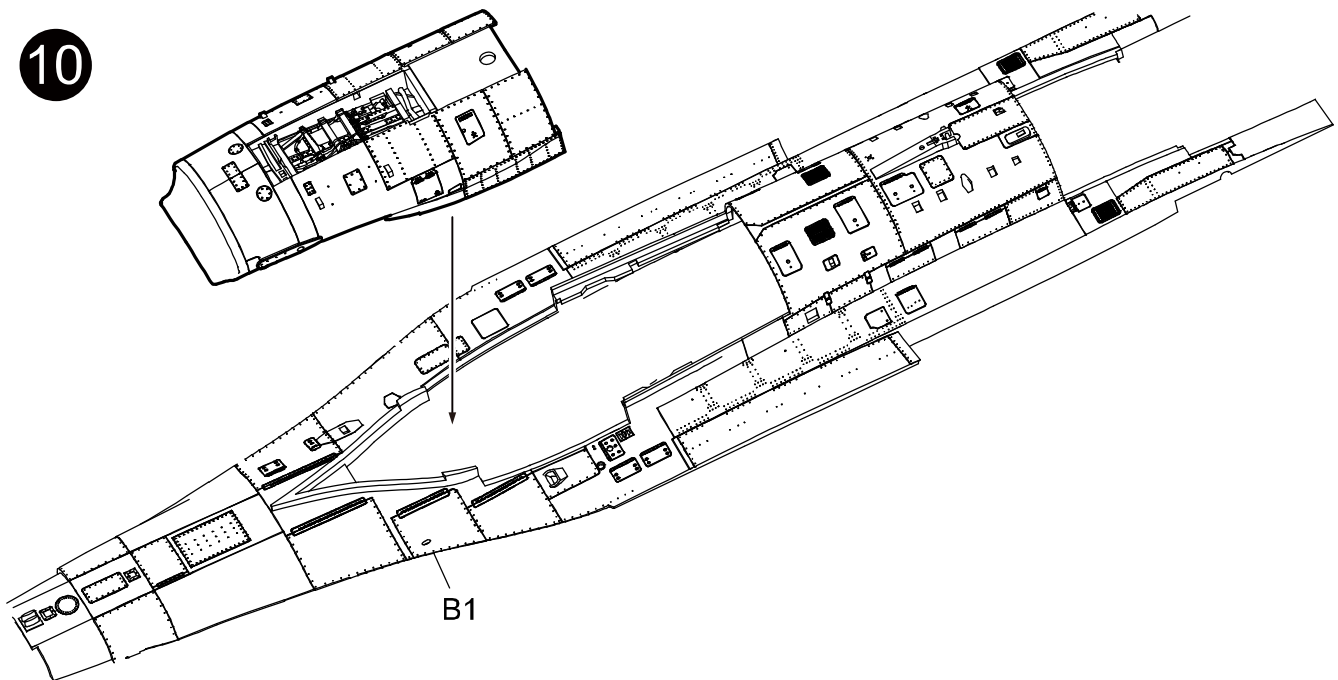
8



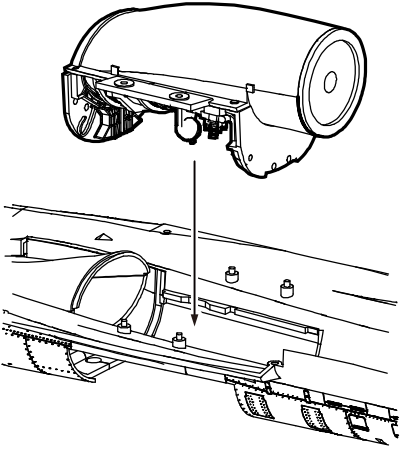
9



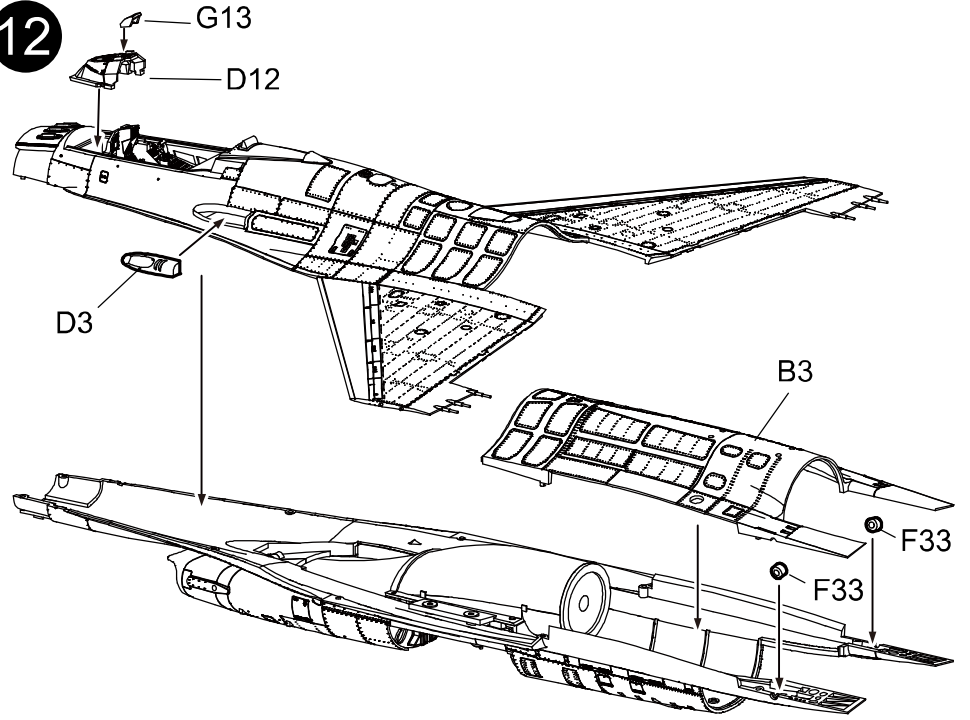
10



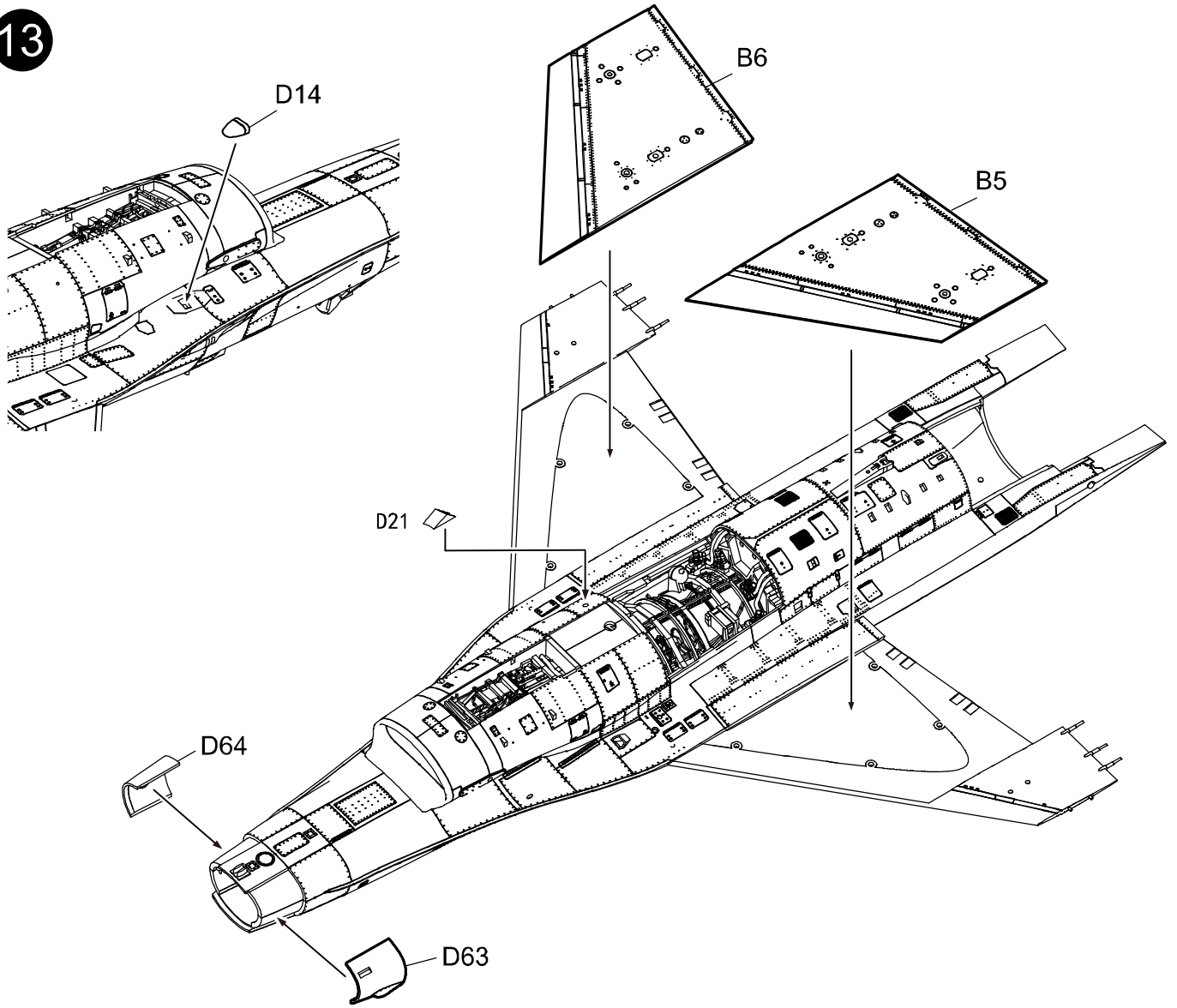
11



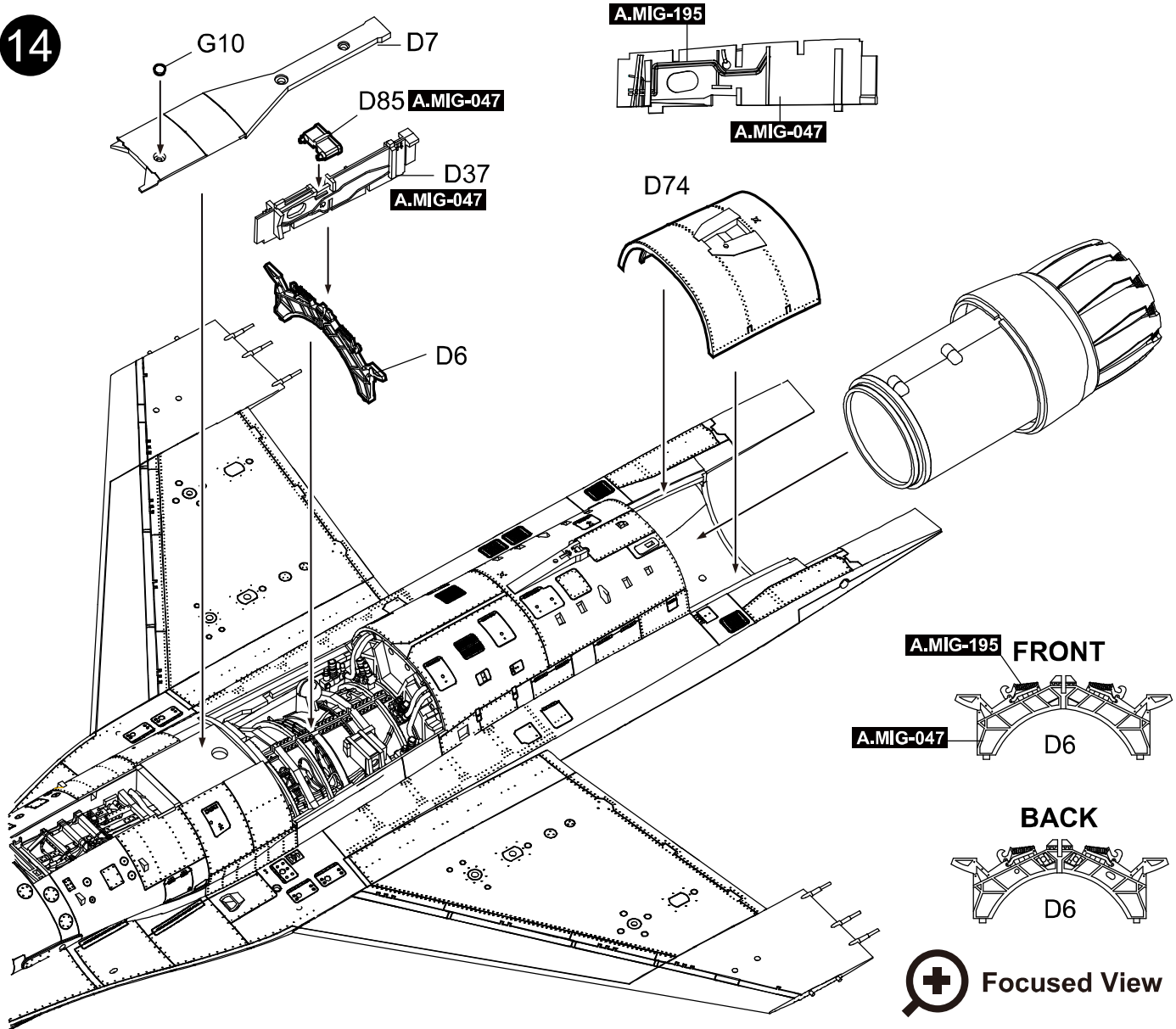
12



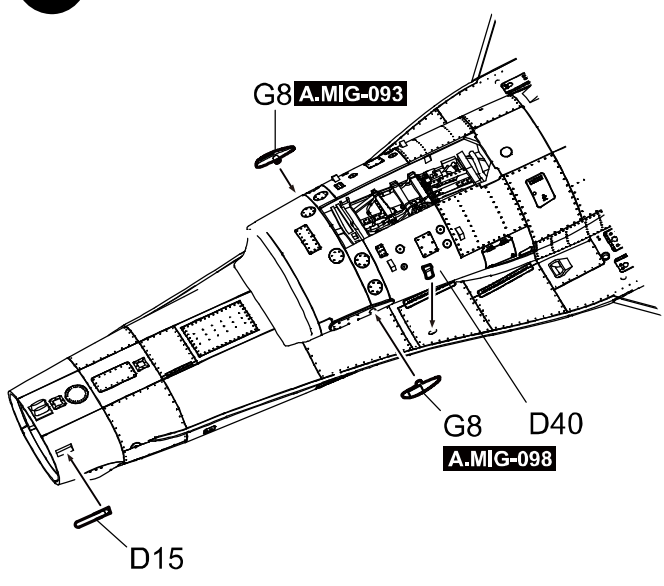
13



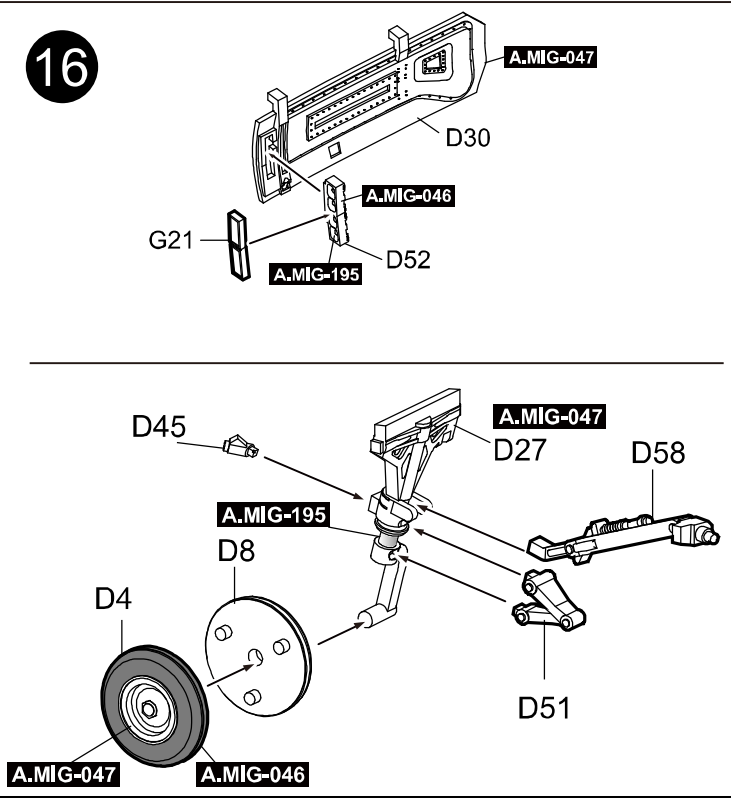
14



15

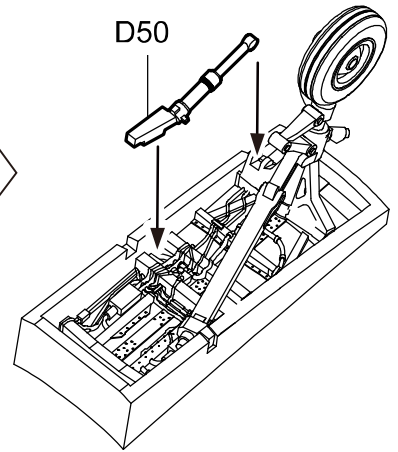
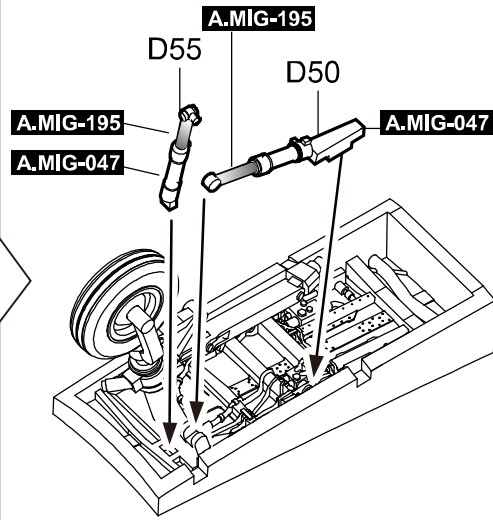
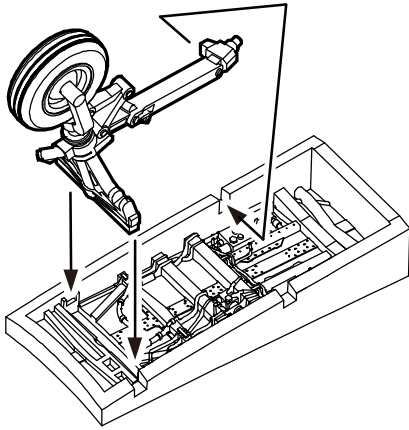


16

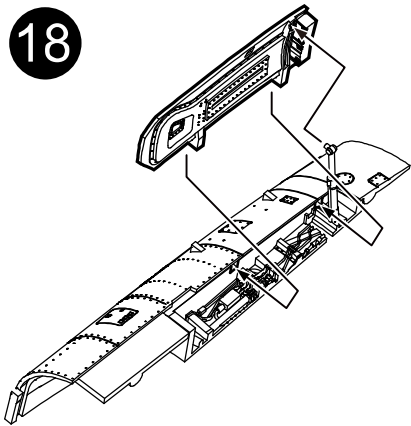




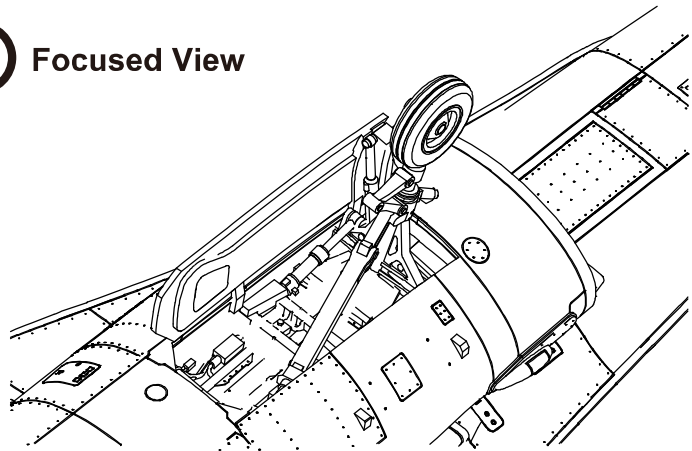
17



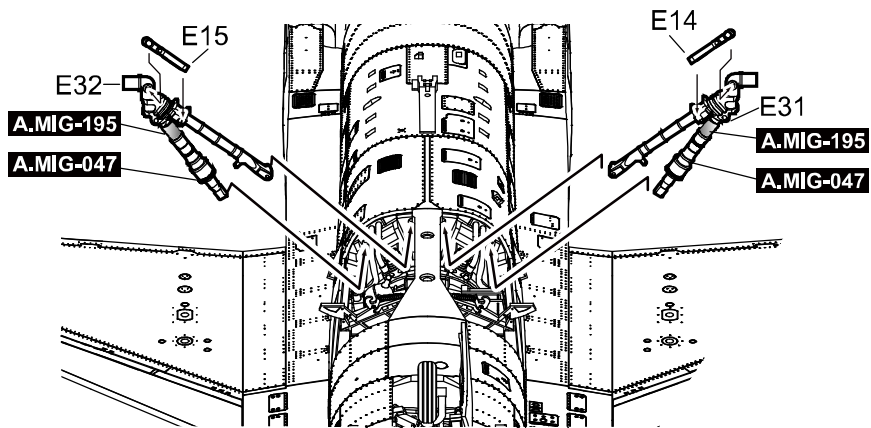
18



⊕ Focused View



19



20

AFT

E19(E18)

E19(E18)

A.MIG-047

A.MIG-195

A.MIG-047

F31(F31)

A.MIG-046

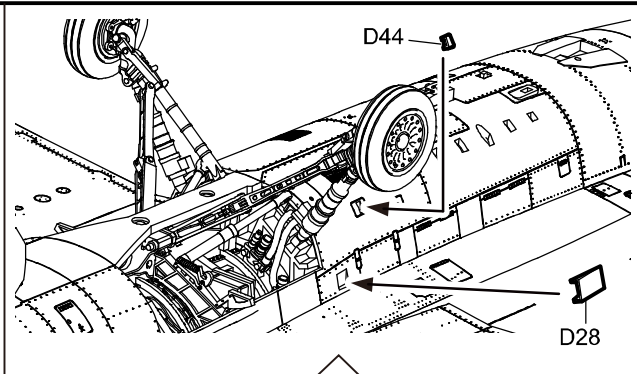
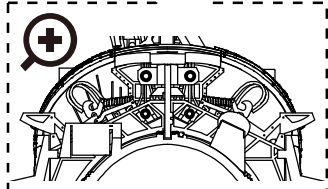
A.MIG-047

A.MIG-047

F26

F27

2

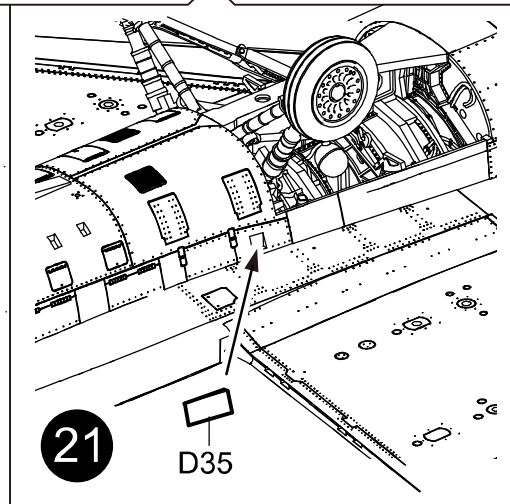


D44

D28

21

D35



22

E11

D21

A.MIG-047

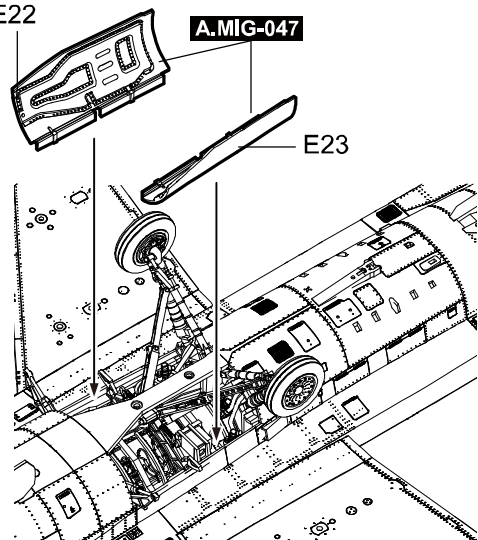
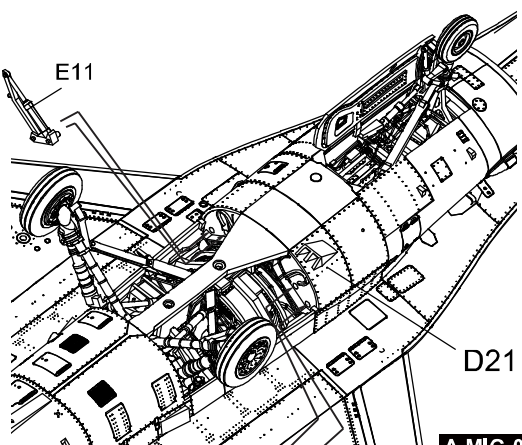
E12

A.MIG-195

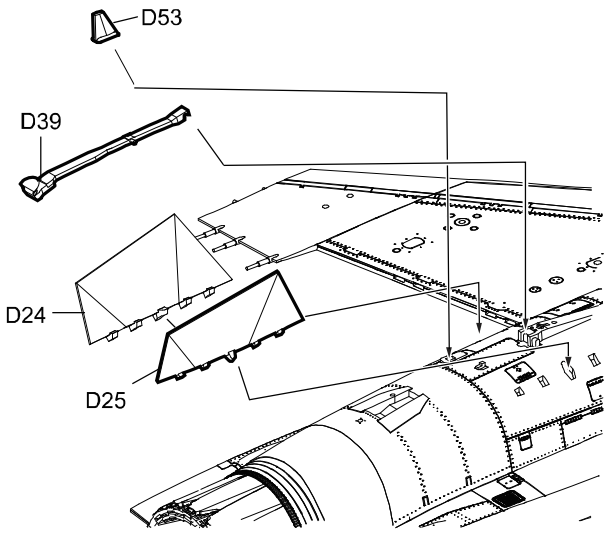
E22

A.MIG-047

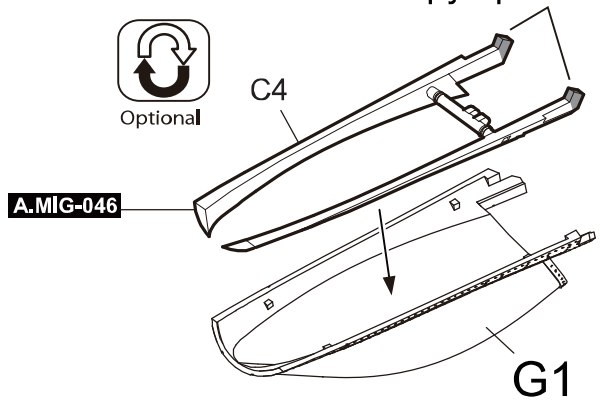
E23



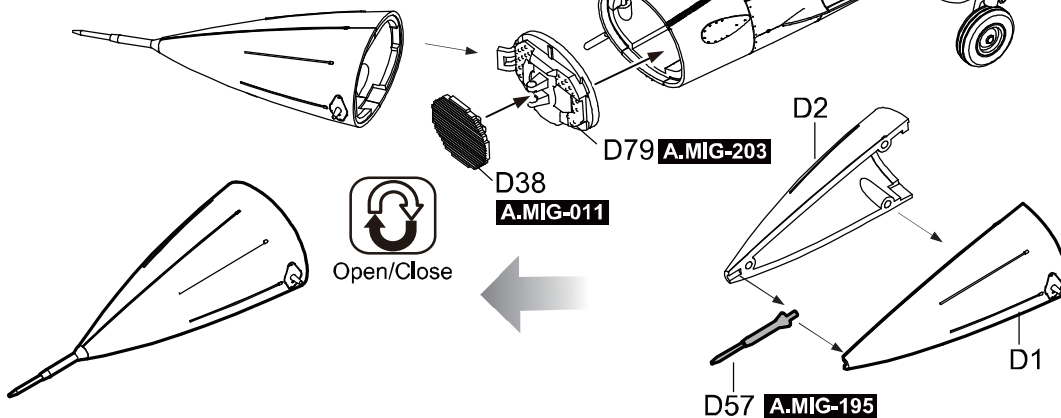
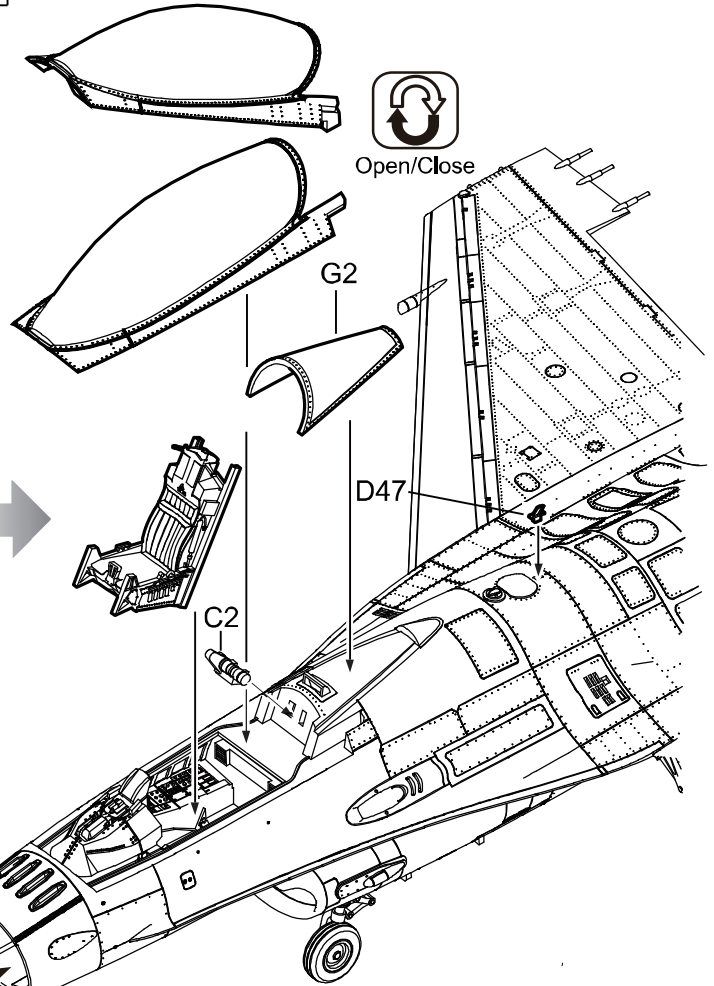
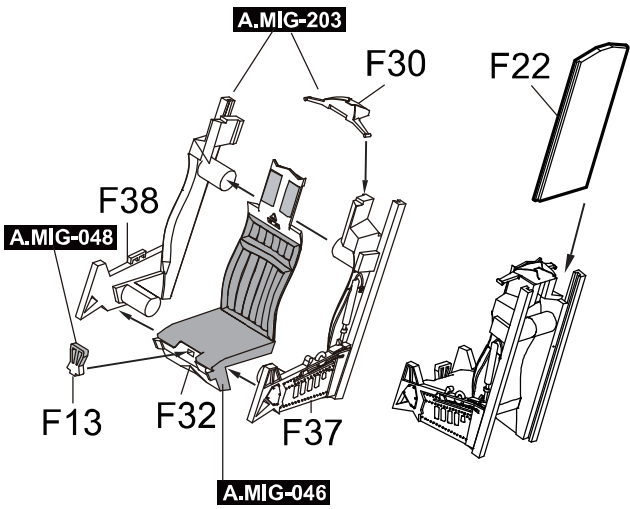
23



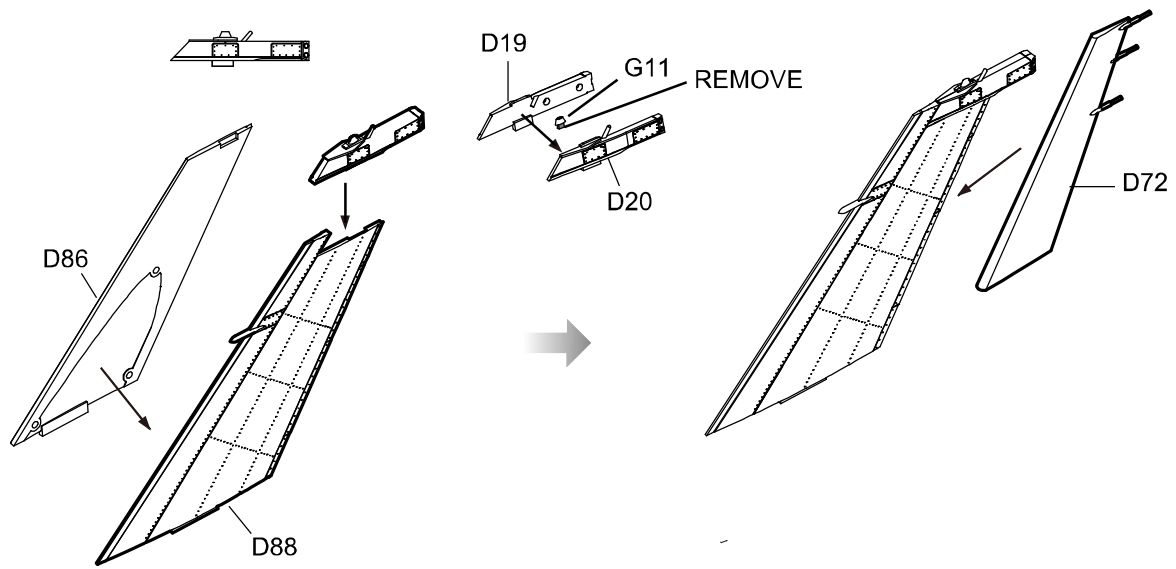
Cut for closed canopy option.



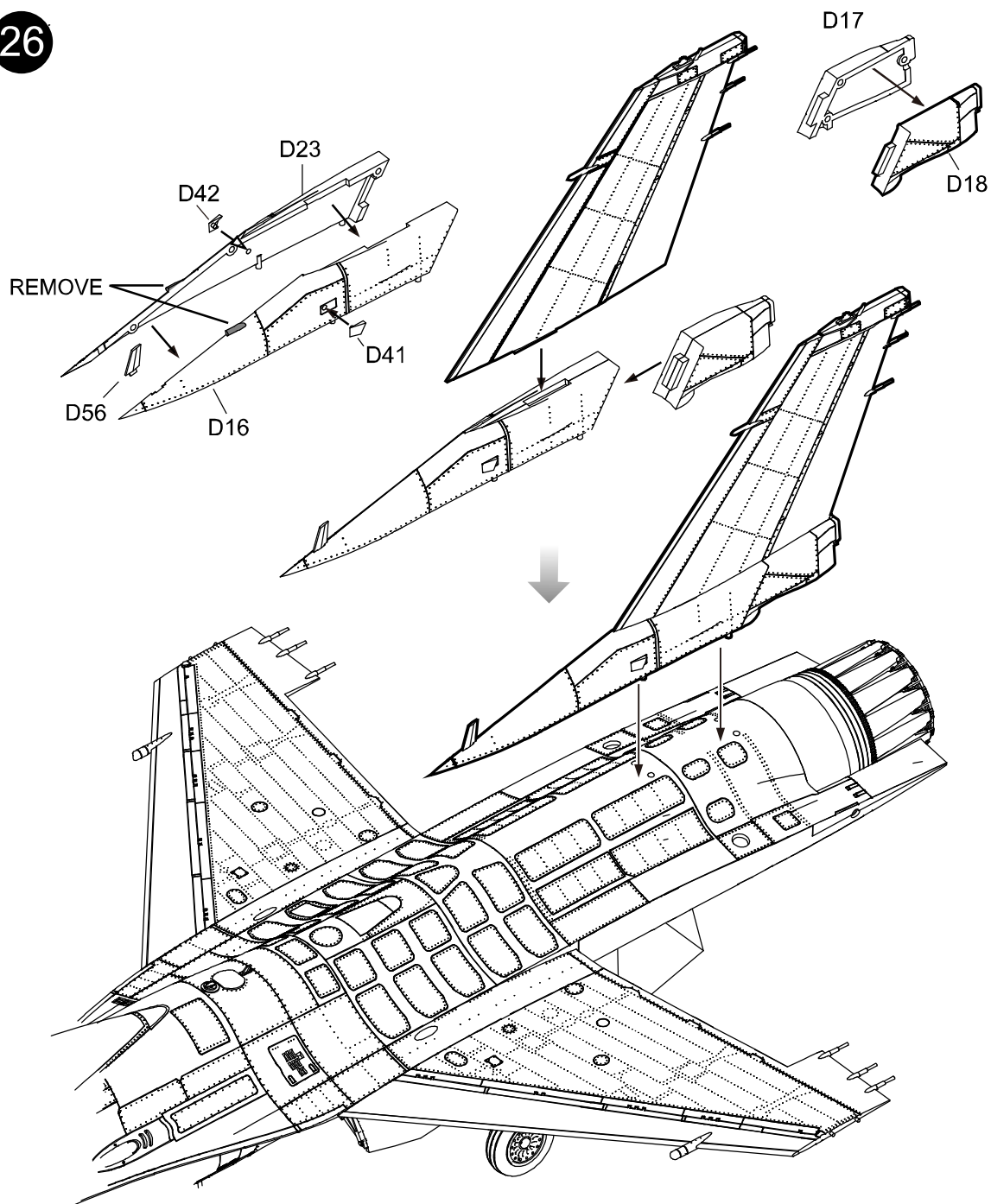
24



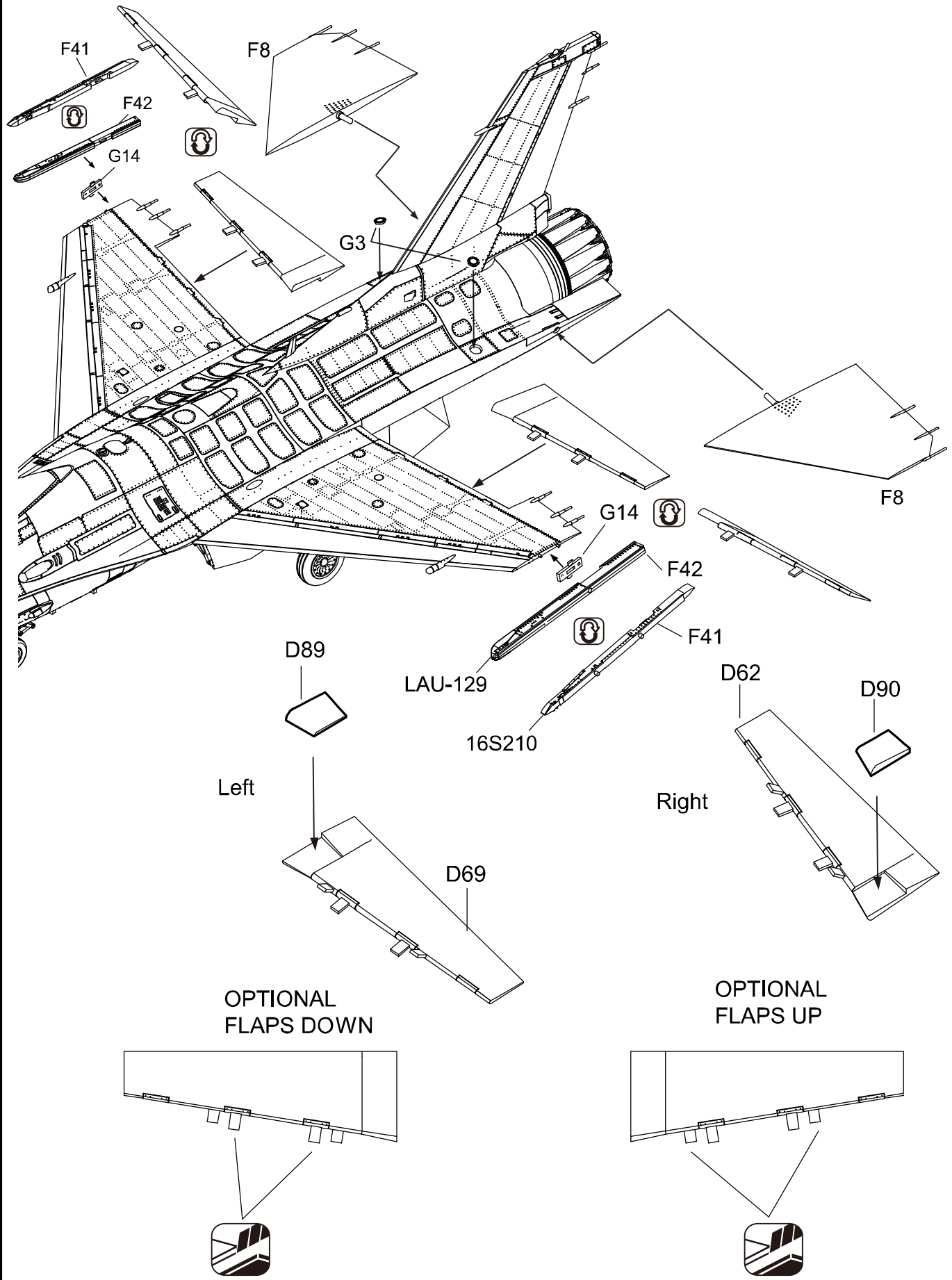
25



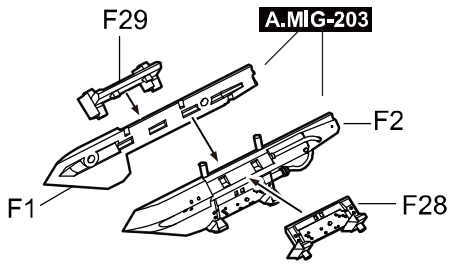
26



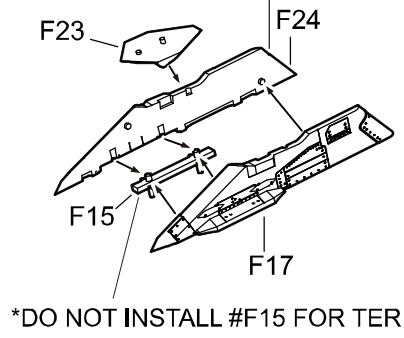
27



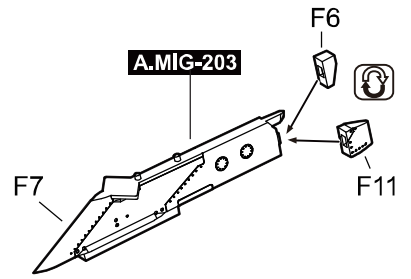
**TER**



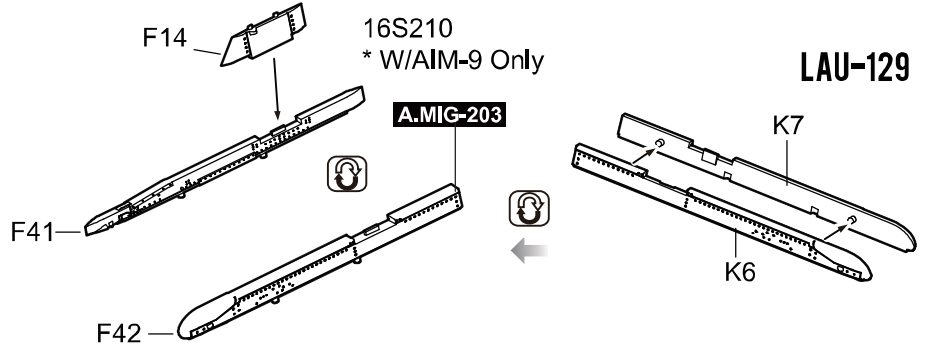
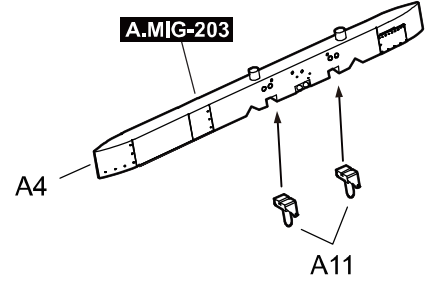
**MIDDLEPYLON A.MIG-203**



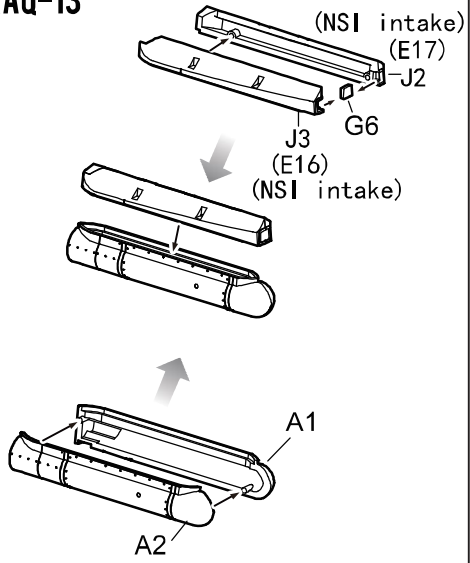
**WING TANK PYLON**



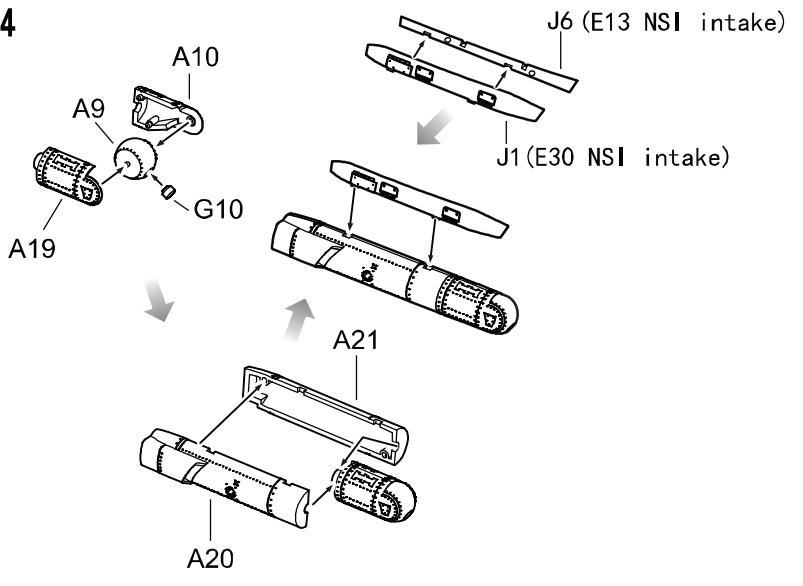
**CENTENLINEPYLON**



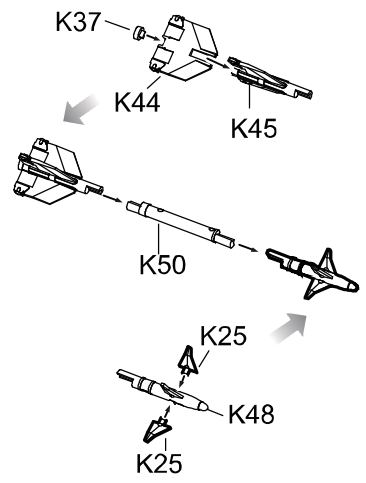
**AAQ-13**



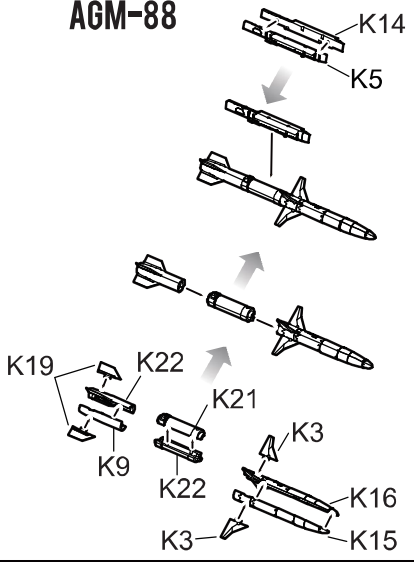
**AAQ-14**



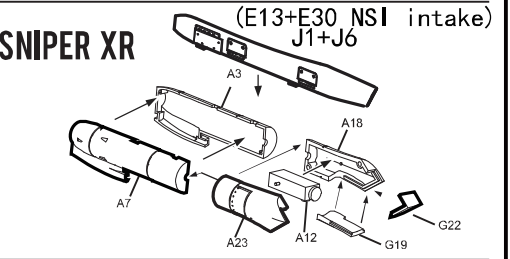
**AIM-9M**



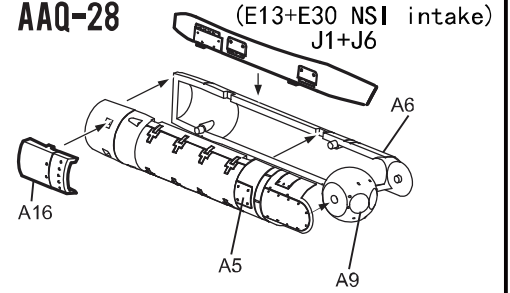
**AGM-88**



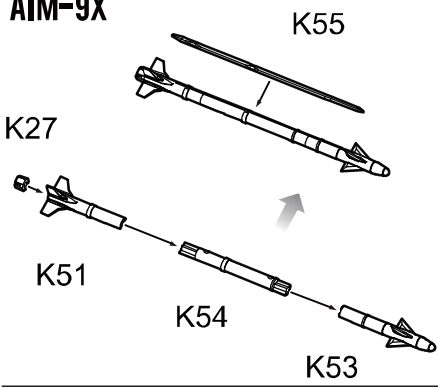
**SNIPER XR**



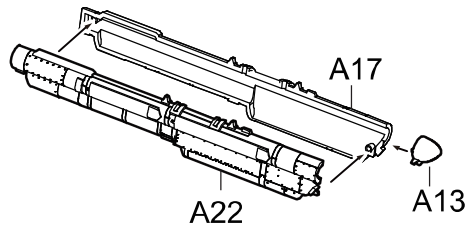
**AAQ-28**



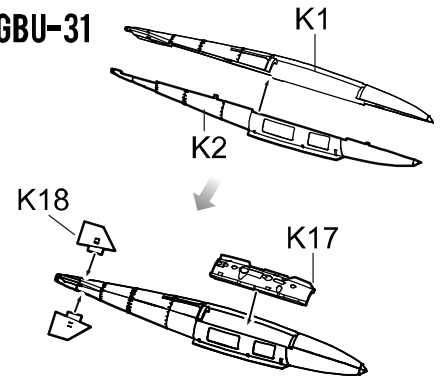
### AIM-9X



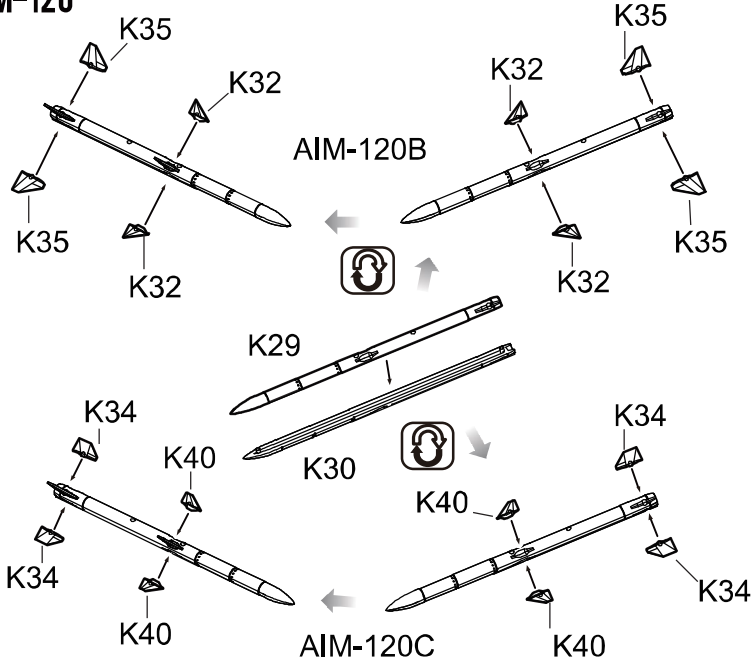
### ALQ-184



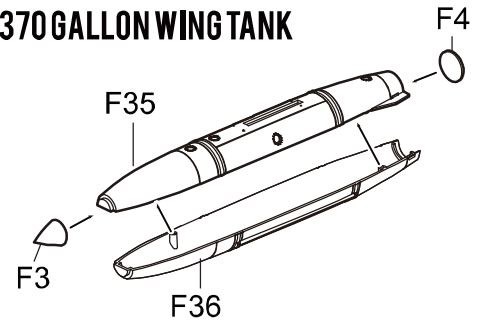
### GBU-31



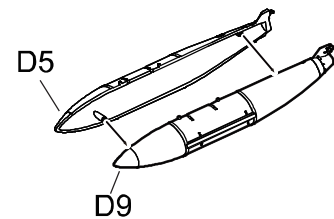
### AIM-120



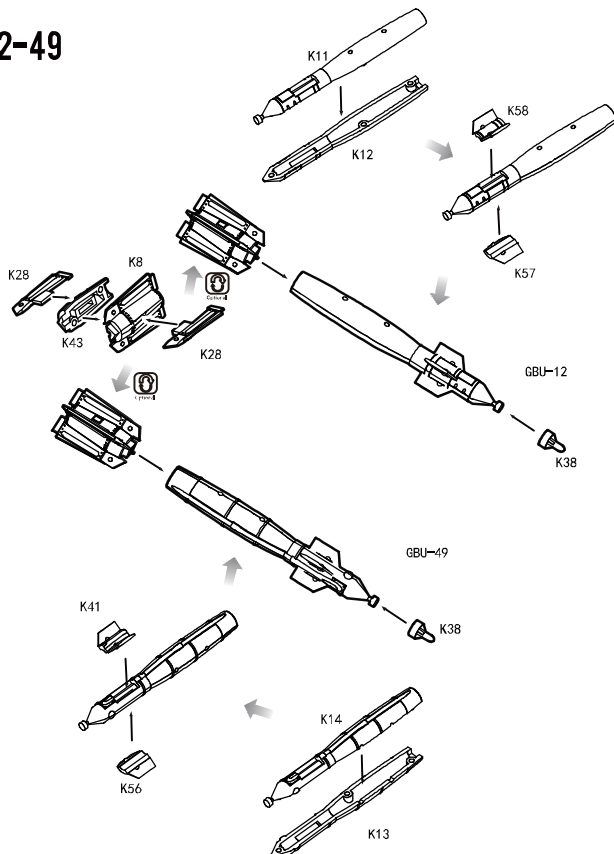
### 370 GALLON WING TANK



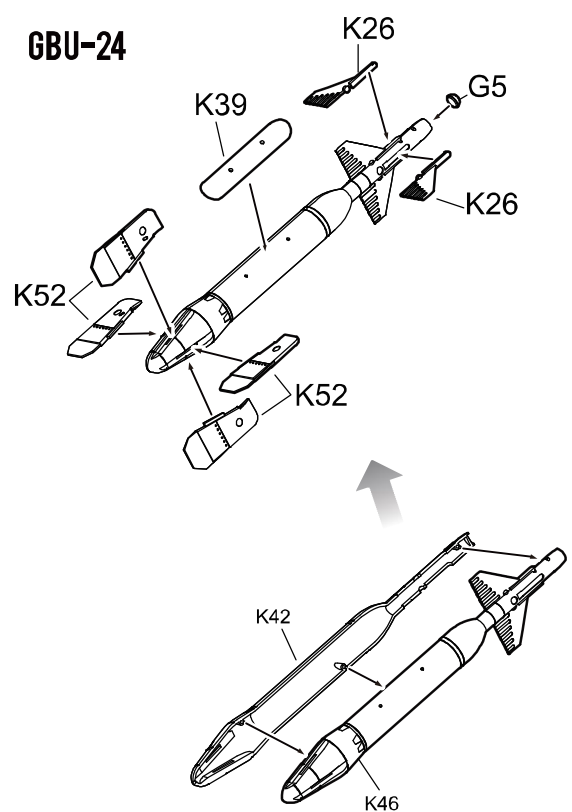
### 300 GALLON CENTENLINE TANK



### GBU-12-49

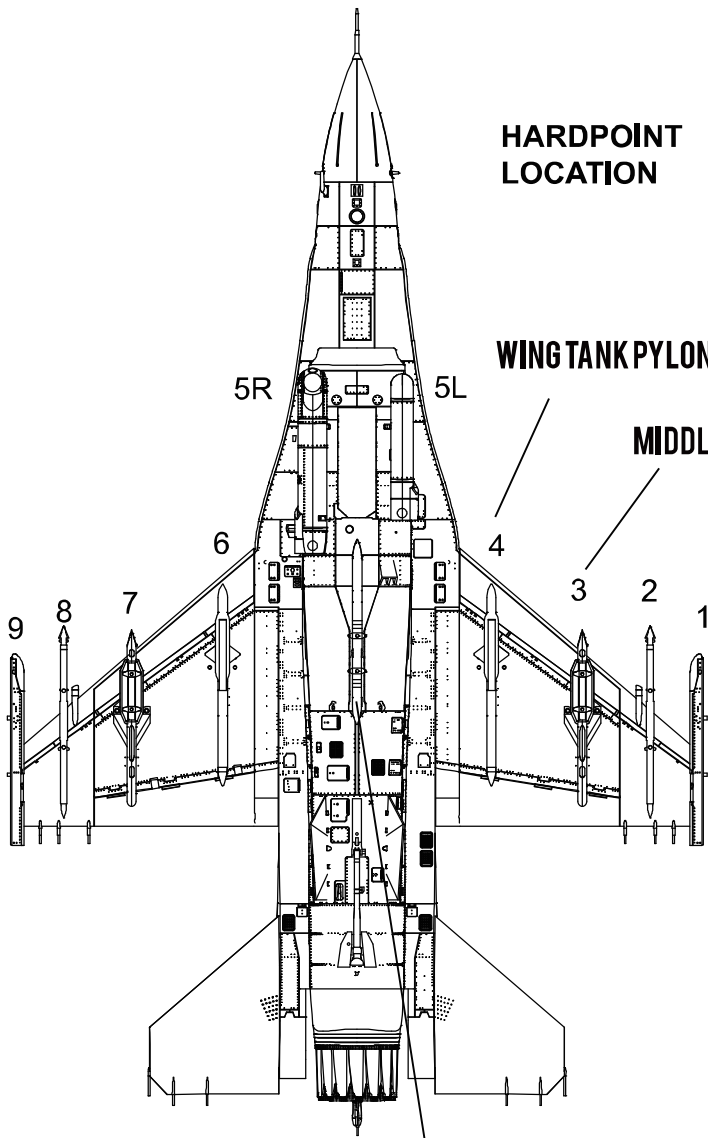


### GBU-24

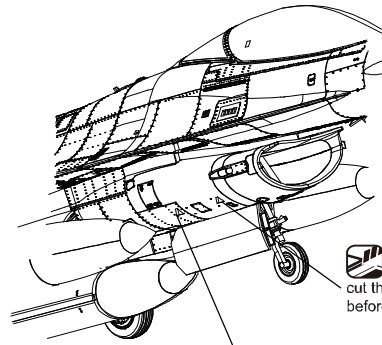


# AN/ASQ-213 HARM TARGETING SYSTEM POD

## HARDPOINT LOCATION

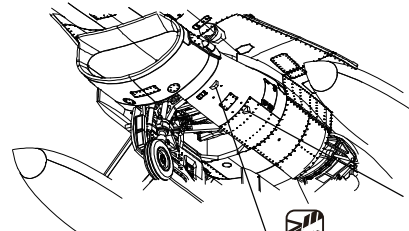


**CENTRELINE PYLON 5**



cut this locating pin before installing AN/ASQ-213

Trim the pin to fit the AN/ASQ-213



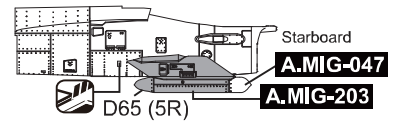
Trim the pin to fit the AN/ASQ-213

cut this locating pin before installing AN/ASQ-213

If you choose to install AGM-88 (HARMS), you need to install AN/AQL-213 either on hardpoint 5R/5L

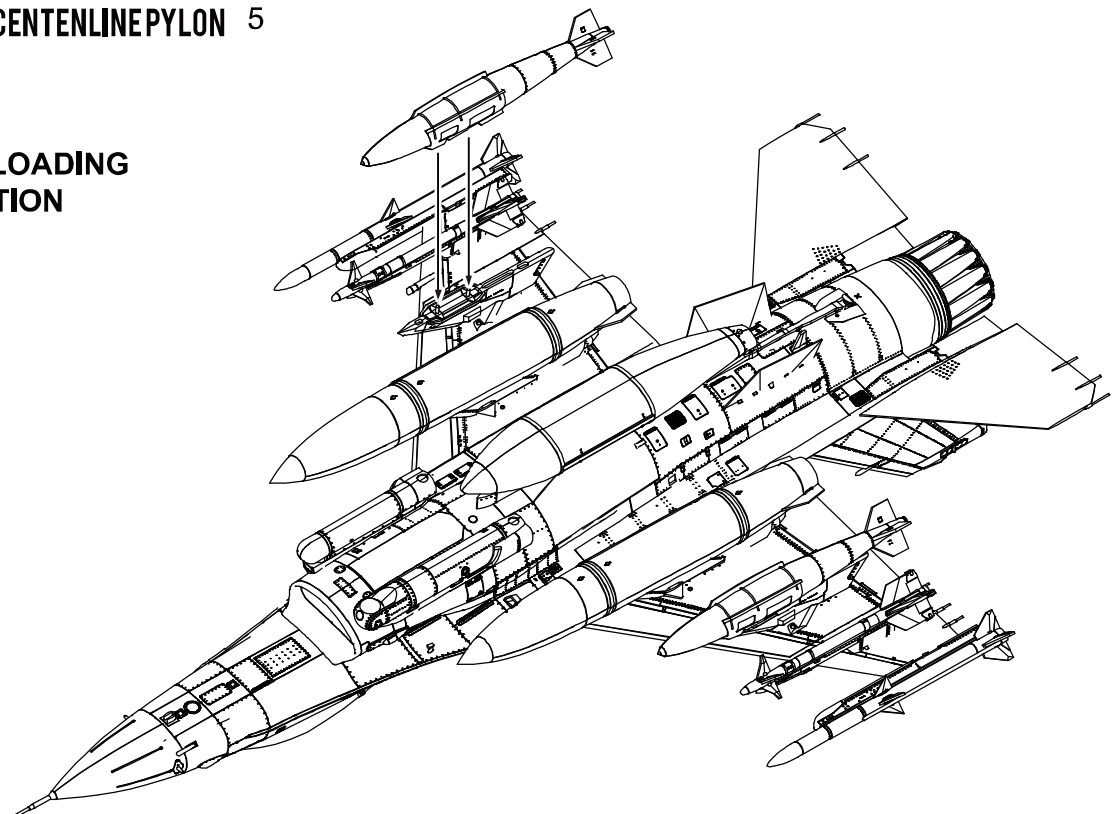


**A.MIG-047 A.MIG-203**



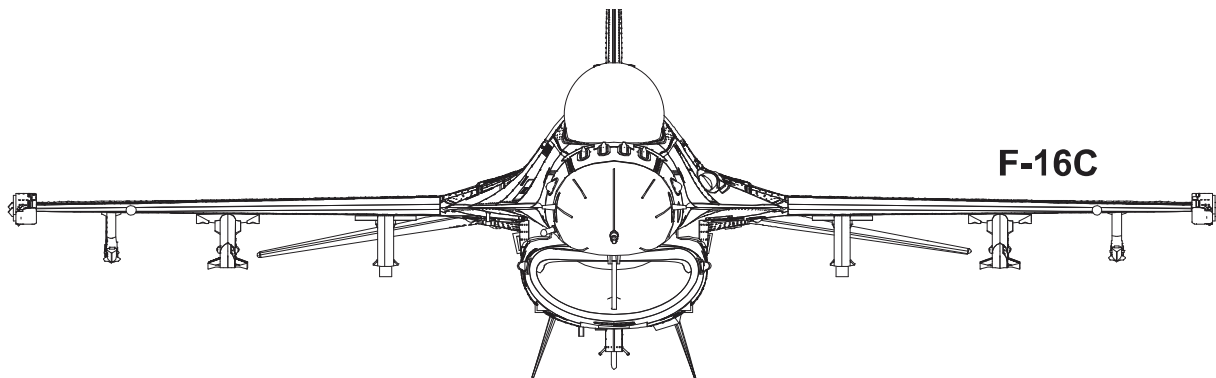
**A.MIG-047 A.MIG-203**

## WEAPON LOADING ILLUSTRATION



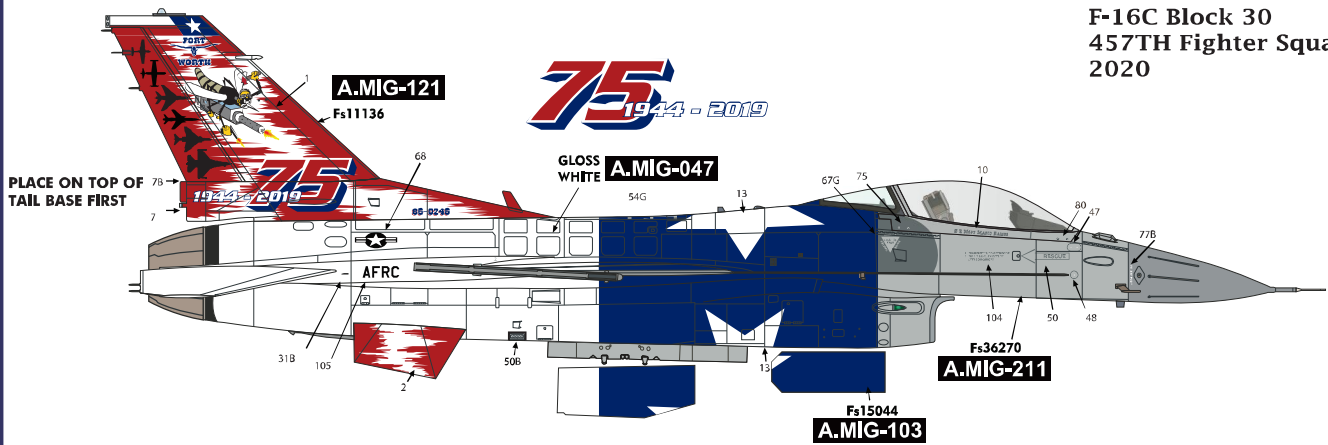


# EXTERNAL STORES

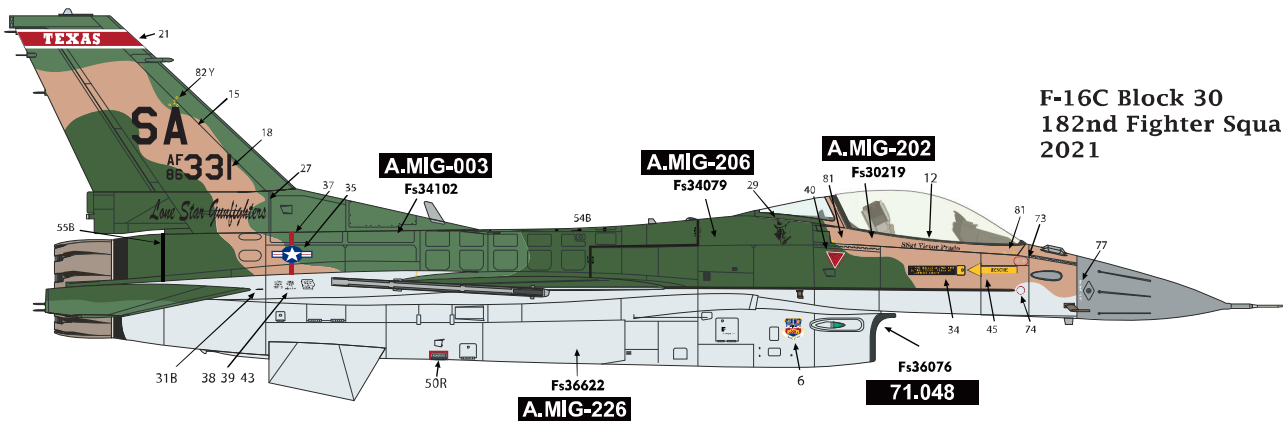


Station No. Weapons	9	8	7	6	5R	5	5L	4	3	2	1
16S210 (W/AIM-9M only)	●	●	●						●	●	●
LAU-129	●	●	●						●	●	●
AIM-9M	●	●	●						●	●	●
AIM-9X (W/LAU-129 only)	●	●								●	●
AIM-120B (W/LAU-129 only)	●	●	●						●	●	●
AIM-120C (W/LAU-129 only)	●	●	●						●	●	●
GBU-12/49			●						●		
GBU-12/49 (W/TER)			● ●						● ●		
GBU-31			●						●		
GBU-38			●						●		
GBU-38 (W/TER)			● ●						● ●		
GBU-24			●						●		
AGM-88			●						●		
370gal. Fuel tank				●				●			
300gal. Fuel tank						●					
AN/AAQ-13							●				
AN/AAQ-14					●						
SNIPER XR					●						
AN/ASQ-213 (W/AGM-88 installed)					●		●				
ALQ-184						●					

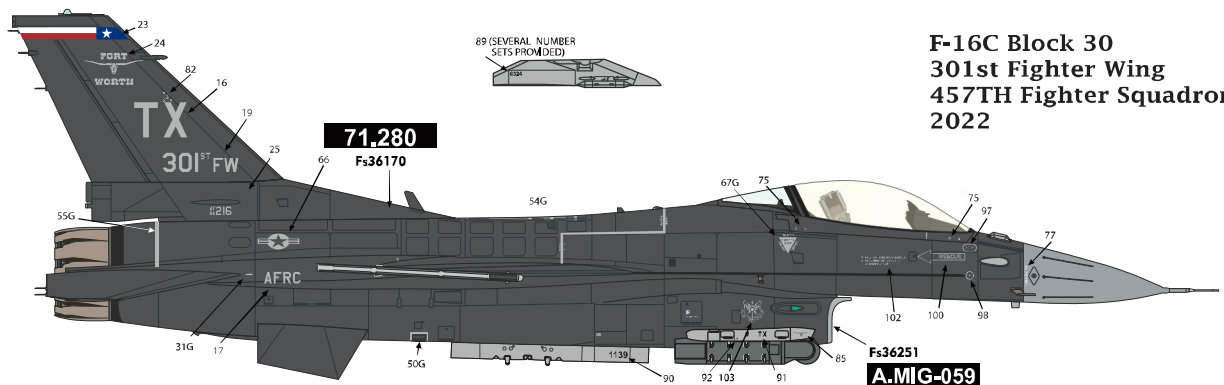
**LOCKHEED F-16C LONE STAR GUNFIGHTERS**



F-16C Block 30  
457TH Fighter Squadron  
2020



F-16C Block 30  
182nd Fighter Squadron  
2021



F-16C Block 30  
301st Fighter Wing  
457TH Fighter Squadron  
2022

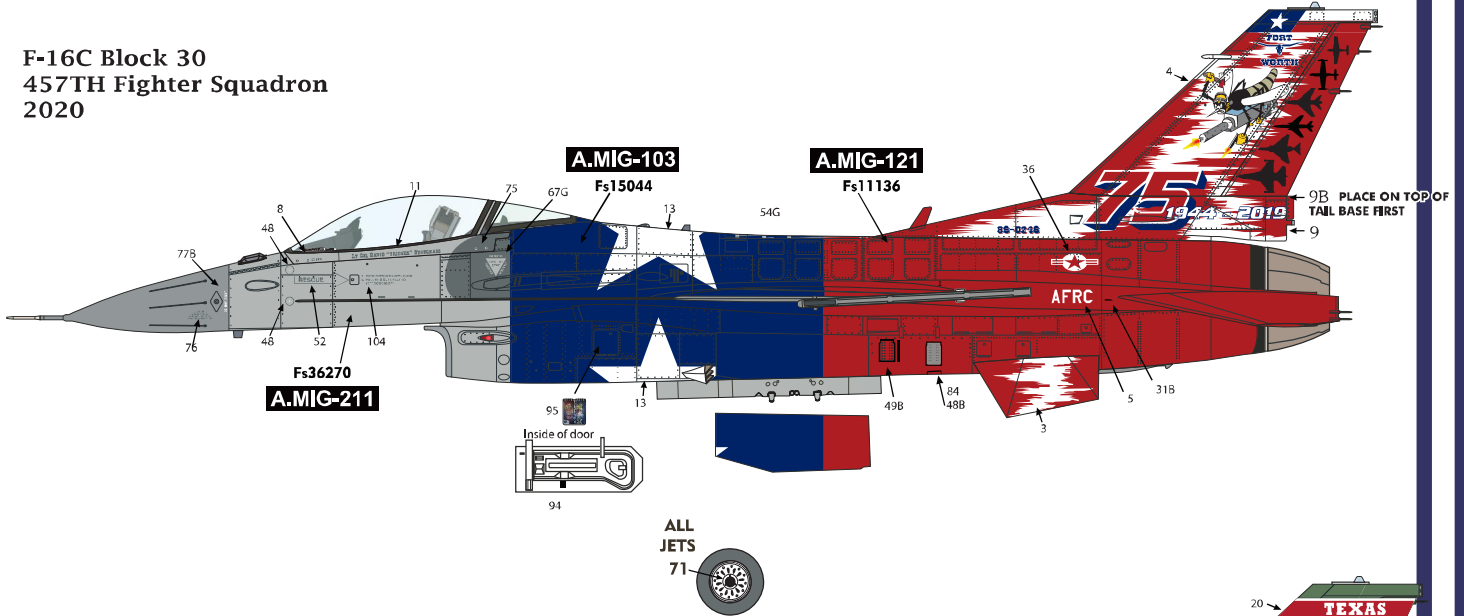


ARTWORK DESIGNED BY FIGHTERTOWN DECALS

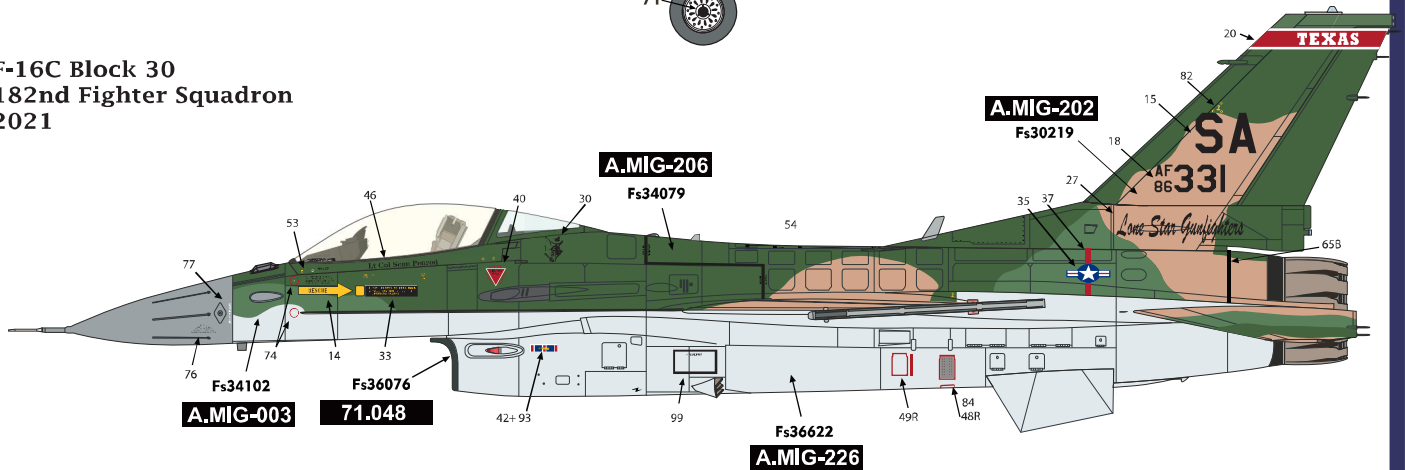
**LOCKHEED F-16C LONE STAR GUNFIGHTERS**



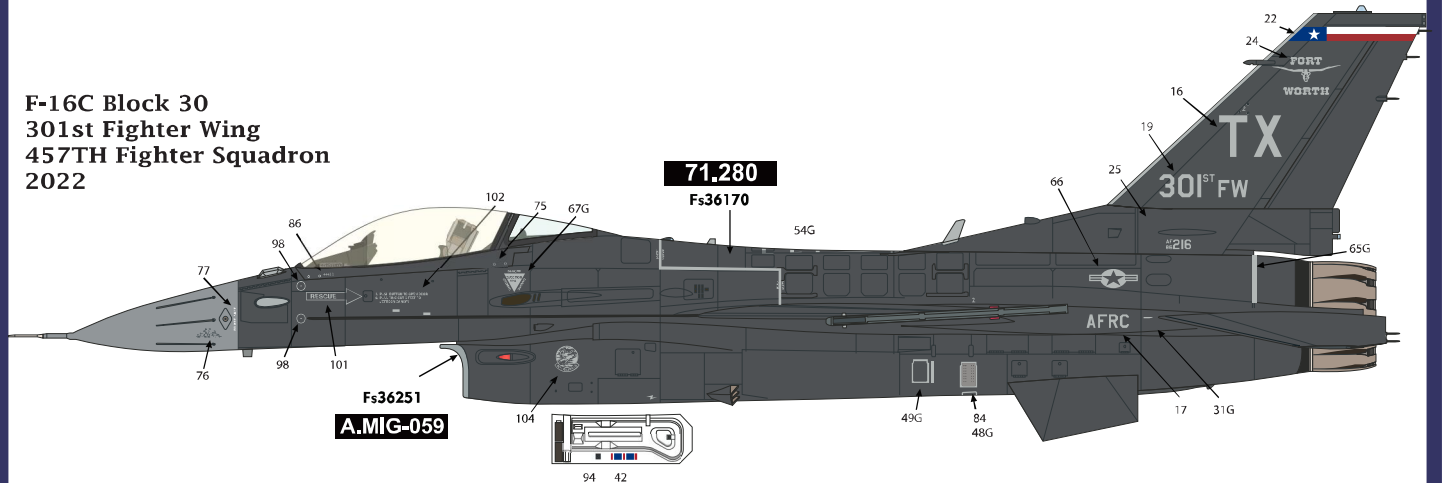
F-16C Block 30  
457TH Fighter Squadron  
2020



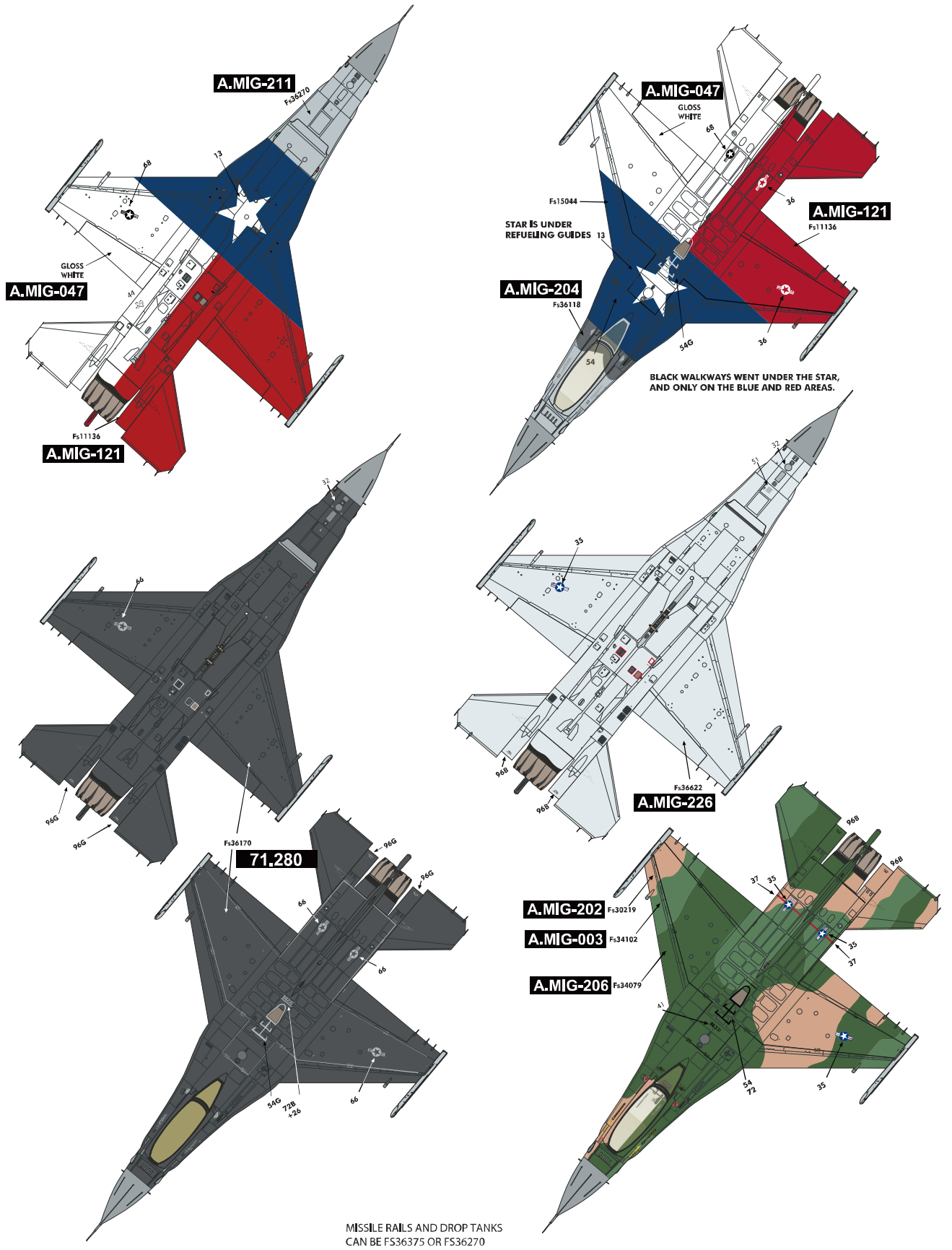
F-16C Block 30  
182nd Fighter Squadron  
2021



F-16C Block 30  
301st Fighter Wing  
457TH Fighter Squadron  
2022



**LOCKHEED F-16C LONE STAR GUNFIGHTERS**



**LOCKHEED F-16C LONE STAR GUNFIGHTERS**

F-16  
Block  
30  
Stencil  
Guide

