

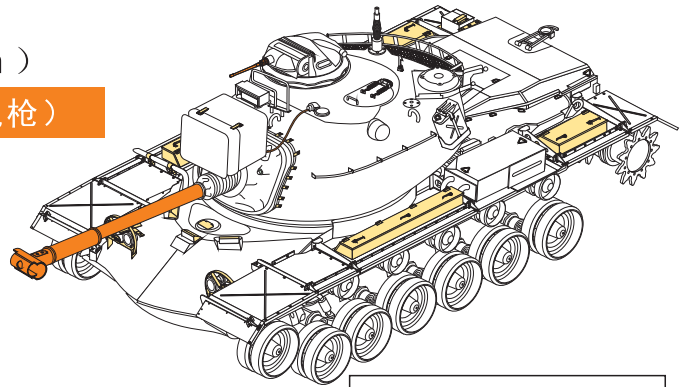
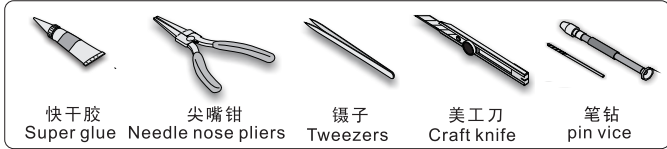
1/35 MILITARY MINIATURE VEHICLE UPGRADE SERIES PE35726











Modern US M48A3Basic (B ver include Gun barrel, Machine Gun)


现代美军 M48A3 主战坦克 (B版本含炮管, 机枪)

[For DROGON 3546]

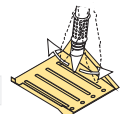
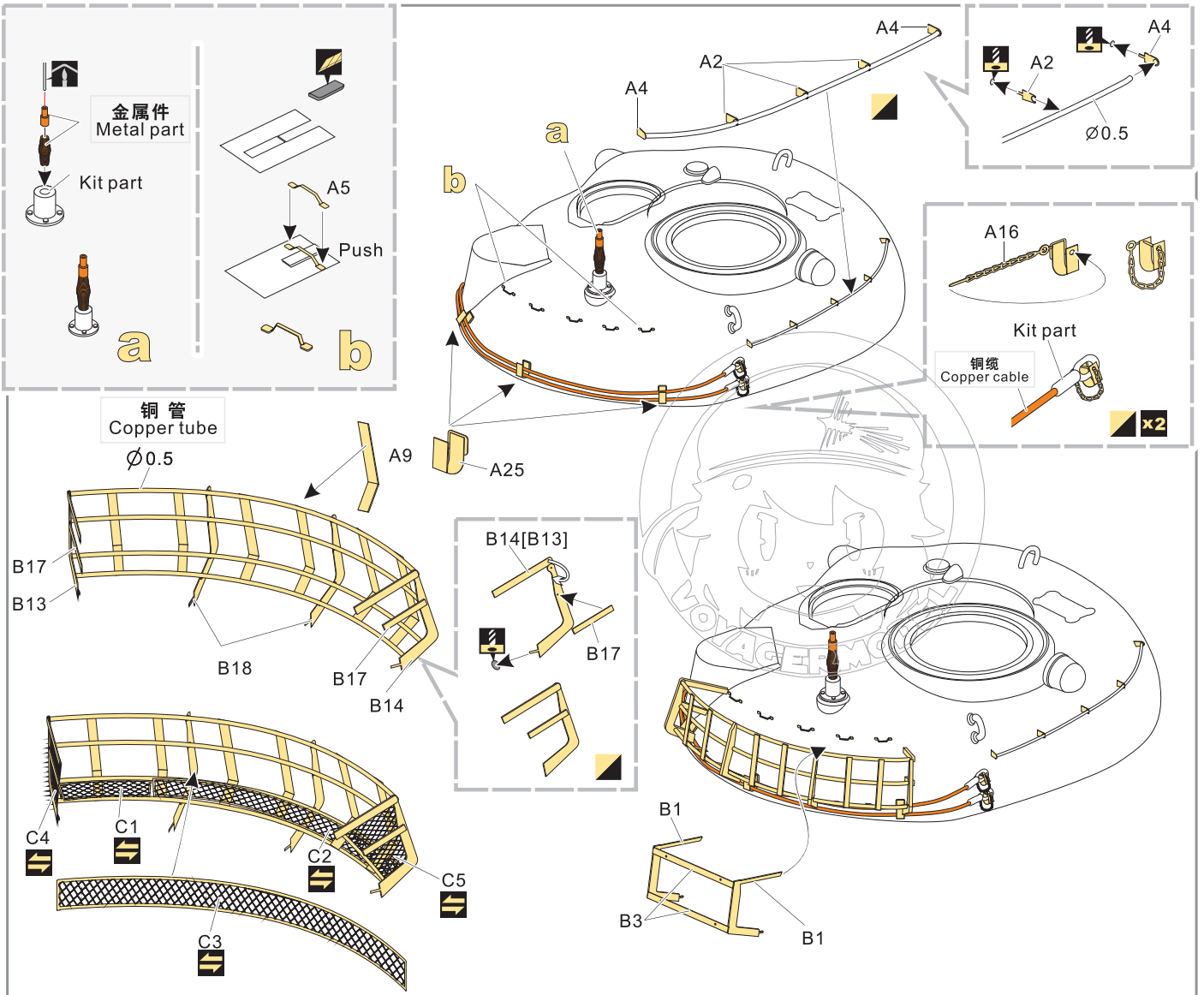
■ 推荐使用工具 RECOMMENDED TOOLS



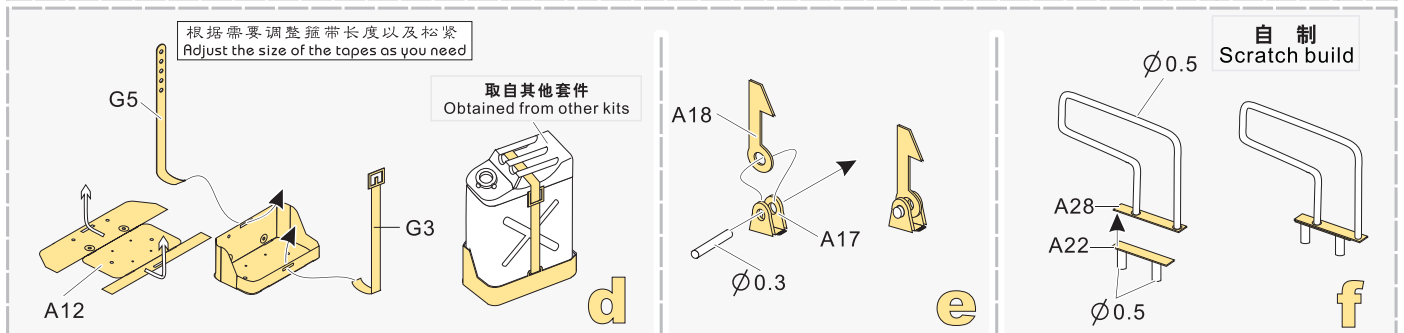
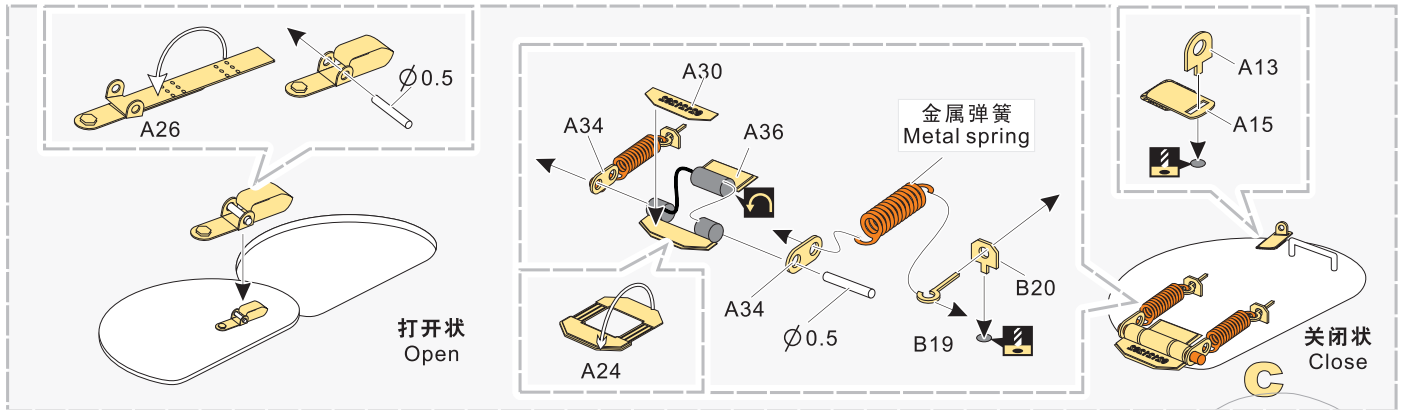
- 
 安装
install
- 
 折叠
bend
- A1**
 改造件零件编号
PE/resin part number
- B12**
 原零件编号
kit part number
- C22**
 被替换的原零件编号
replaced kit part number
- 
 另一侧相同制作
repeat on opposite side
- 
 切除
remove
- 
 打磨
grind off
- 
 弧度卷曲
radial bending
- 
 制作若干组
multiple assembly
- 
 选择安装
alternative
- 
 钻孔
drill
- 
 用胶棒制作
make from plastic rod


 用尖端在凹槽处冲压
use penpoint to press on the dent

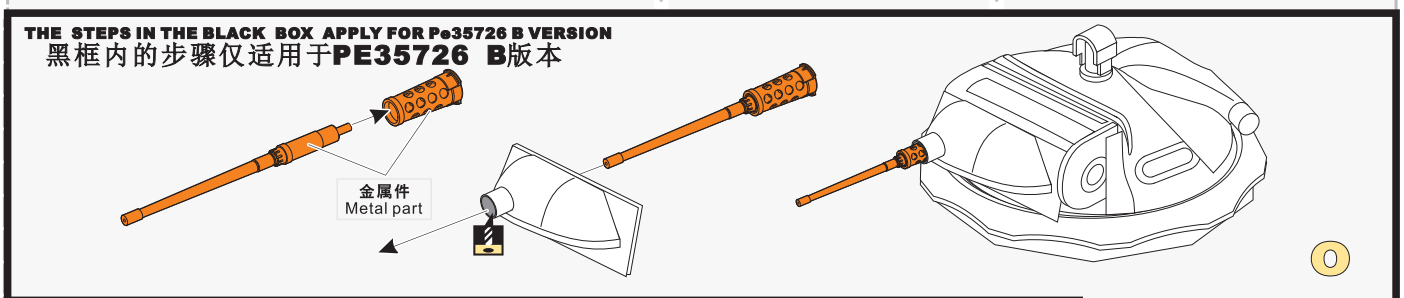
蚀刻片零件内槽面向上
Put the part upside down
 用笔尖在凹槽处刺
Use penpoint to press on the dent

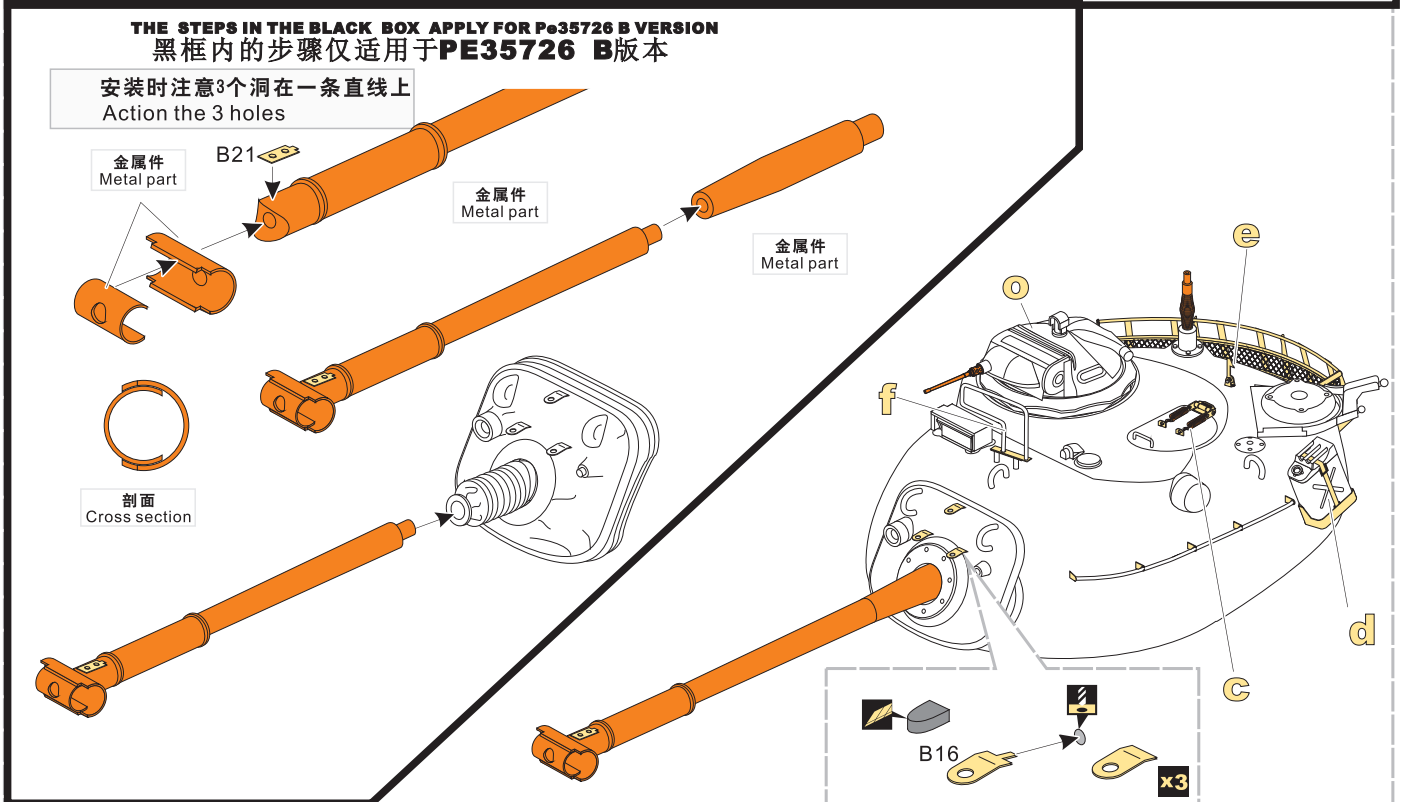
1/35 MILITARY MINIATURE VEHICLE UPGRADE SERIES PE35726



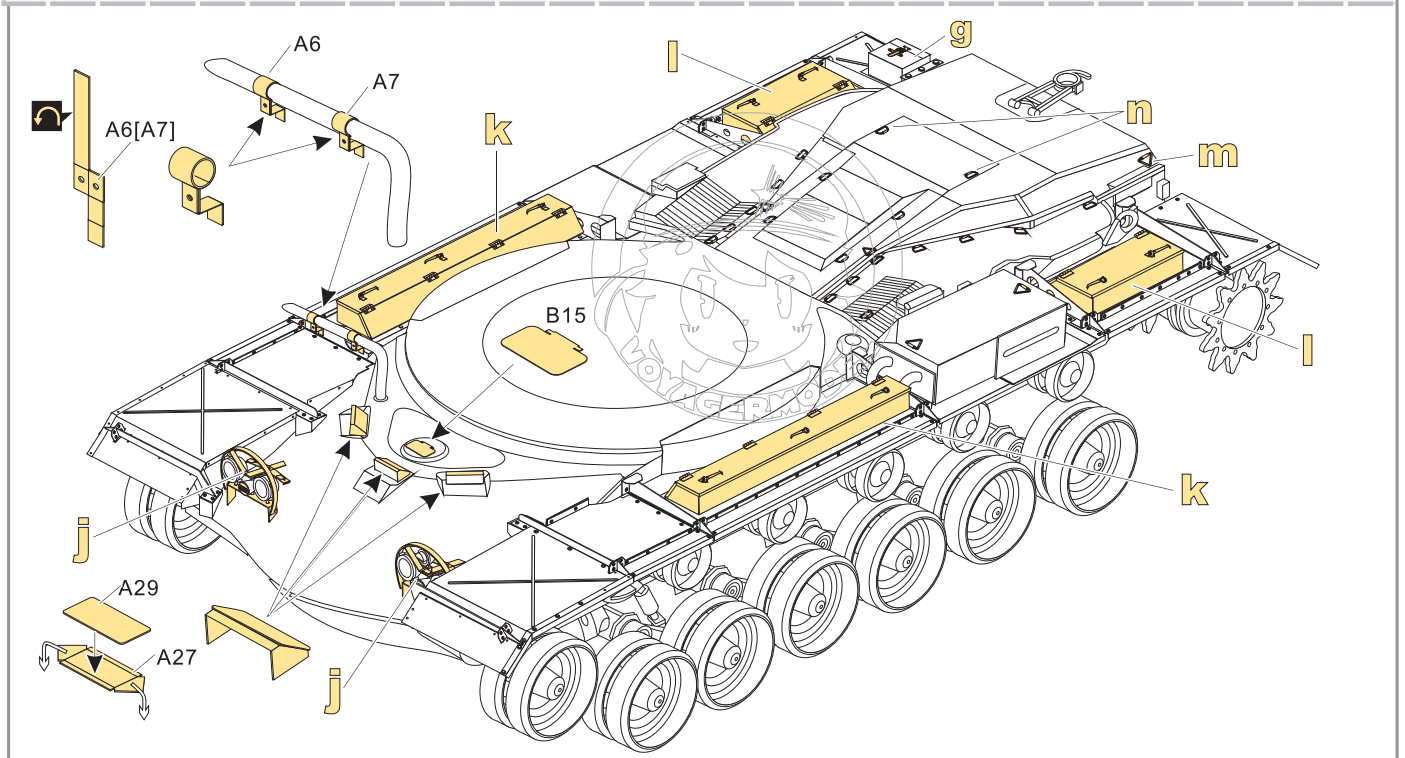
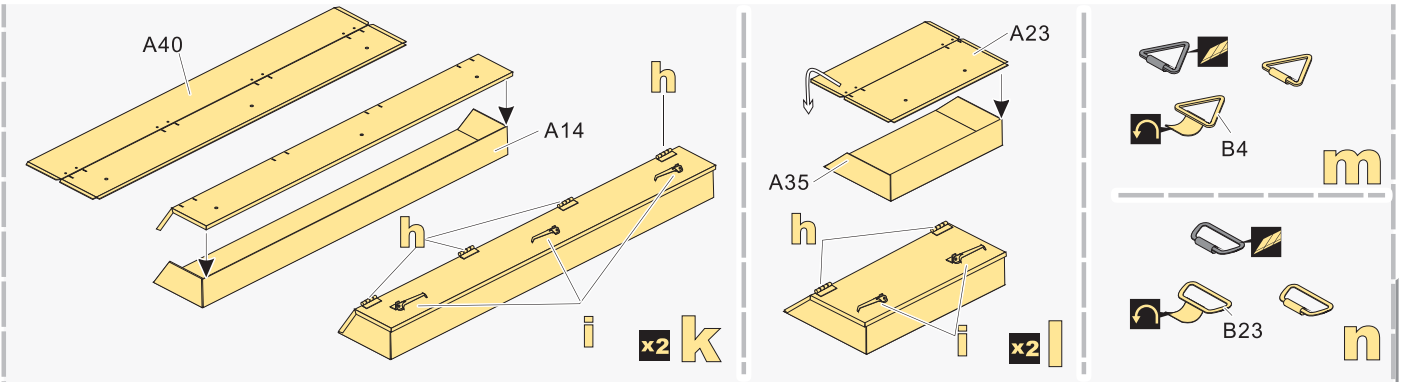
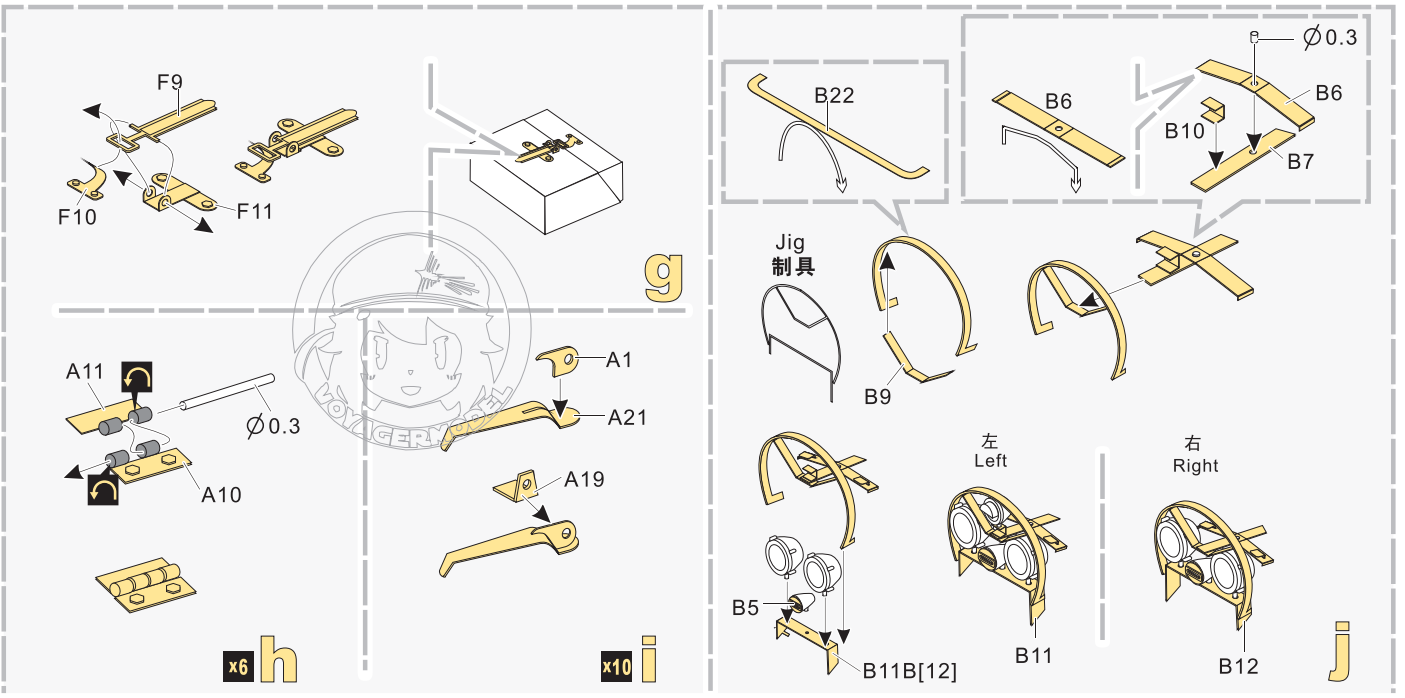
THE STEPS IN THE BLACK BOX APPLY FOR PE35726 B VERSION
黑框内的步骤仅适用于PE35726 B版本



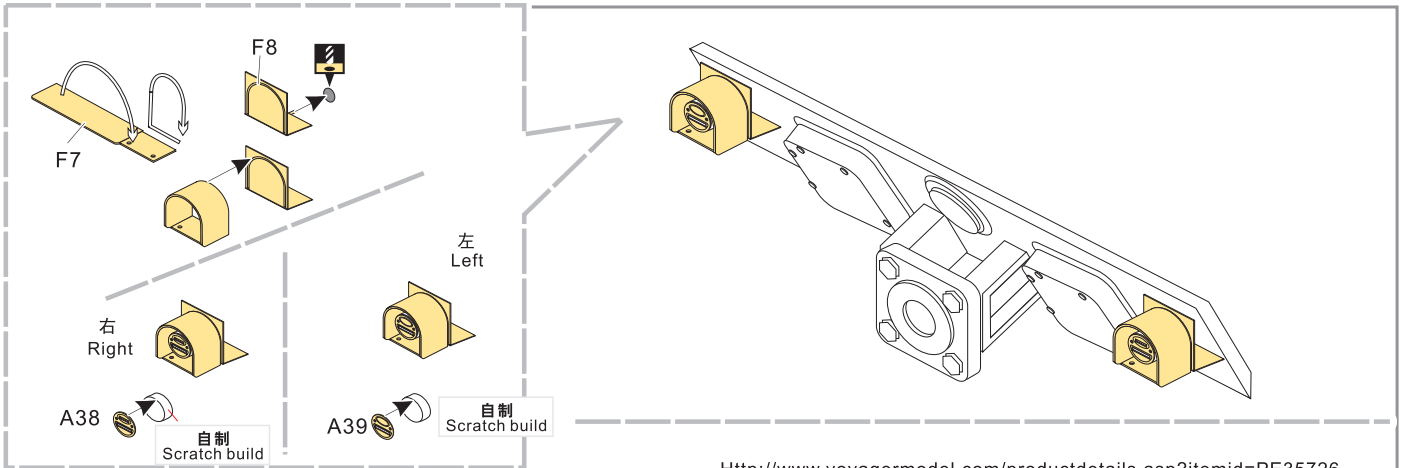
THE STEPS IN THE BLACK BOX APPLY FOR PE35726 B VERSION
黑框内的步骤仅适用于PE35726 B版本



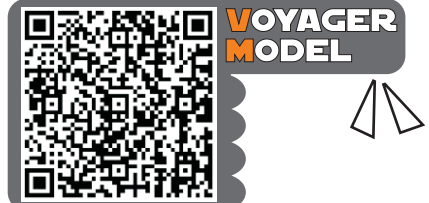
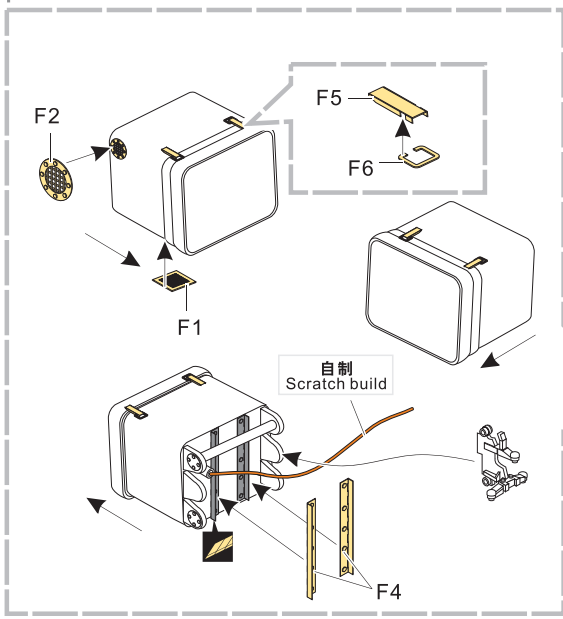
1/35 MILITARY MINIATURE VEHICLE UPGRADE SERIES PE35726



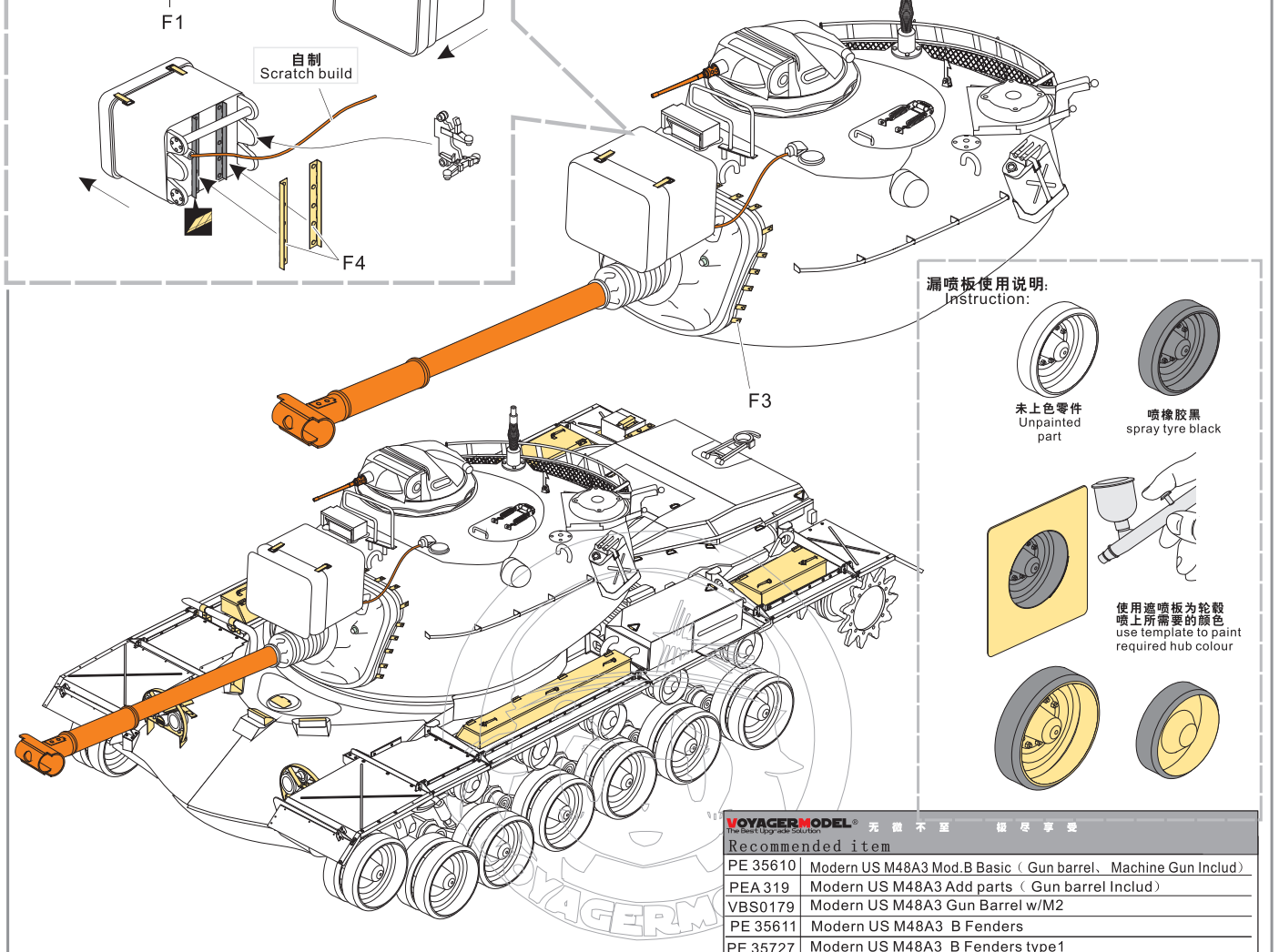
1/35 MILITARY MINIATURE VEHICLE UPGRADE SERIES PE35726



[Http://www.voyagermodel.com/productdetails.asp?itemid=PE35726](http://www.voyagermodel.com/productdetails.asp?itemid=PE35726)



更多PE35726样品照片参考请扫一扫
MORE PICTUER OF PE 35726
REFERENCE SCAN HERE



漏喷板使用说明:
Instruction:

未上色零件
Unpainted part

喷橡胶黑
spray tyre black

使用遮喷板为轮毂
喷上所需要的颜色
use template to paint
required hub colour

VOYAGERMODEL® 无微不至 极尽享受
The Best Upgrade Solution

Recommended item	
PE 35610	Modern US M48A3 Mod.B Basic (Gun barrel, Machine Gun Includ)
PEA 319	Modern US M48A3 Add parts (Gun barrel Includ)
VBS0179	Modern US M48A3 Gun Barrel w/M2
PE 35611	Modern US M48A3 B Fenders
PE 35727	Modern US M48A3 B Fenders type1