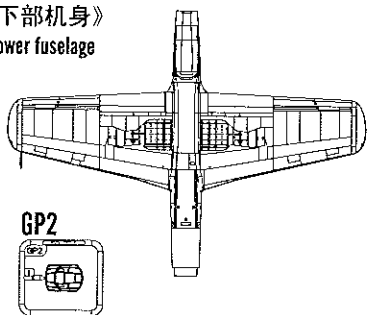


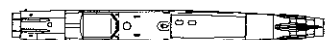
《下部机身》  
Lower fuselage



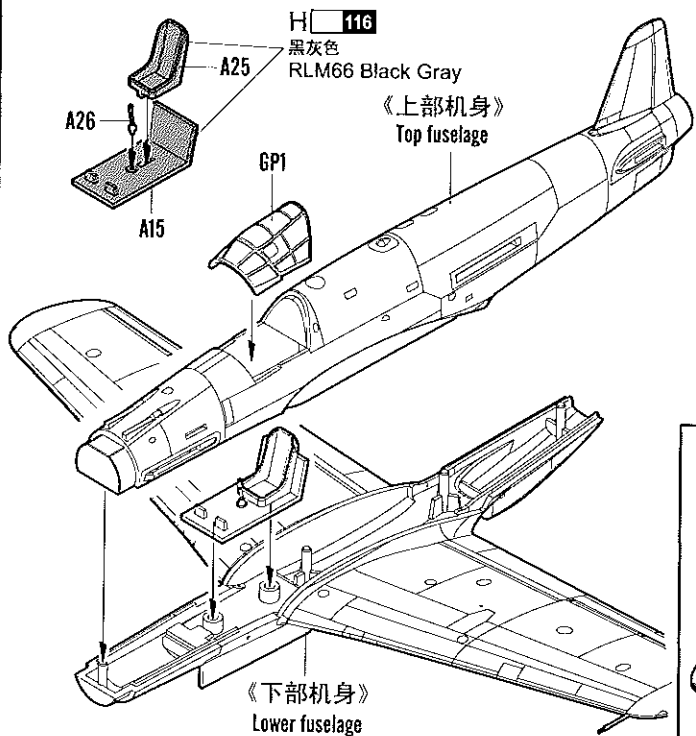
《水贴》  
Decal



《上部机身》  
Top fuselage

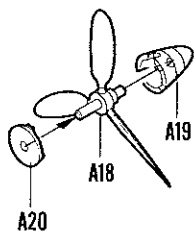


部品图  
Parts

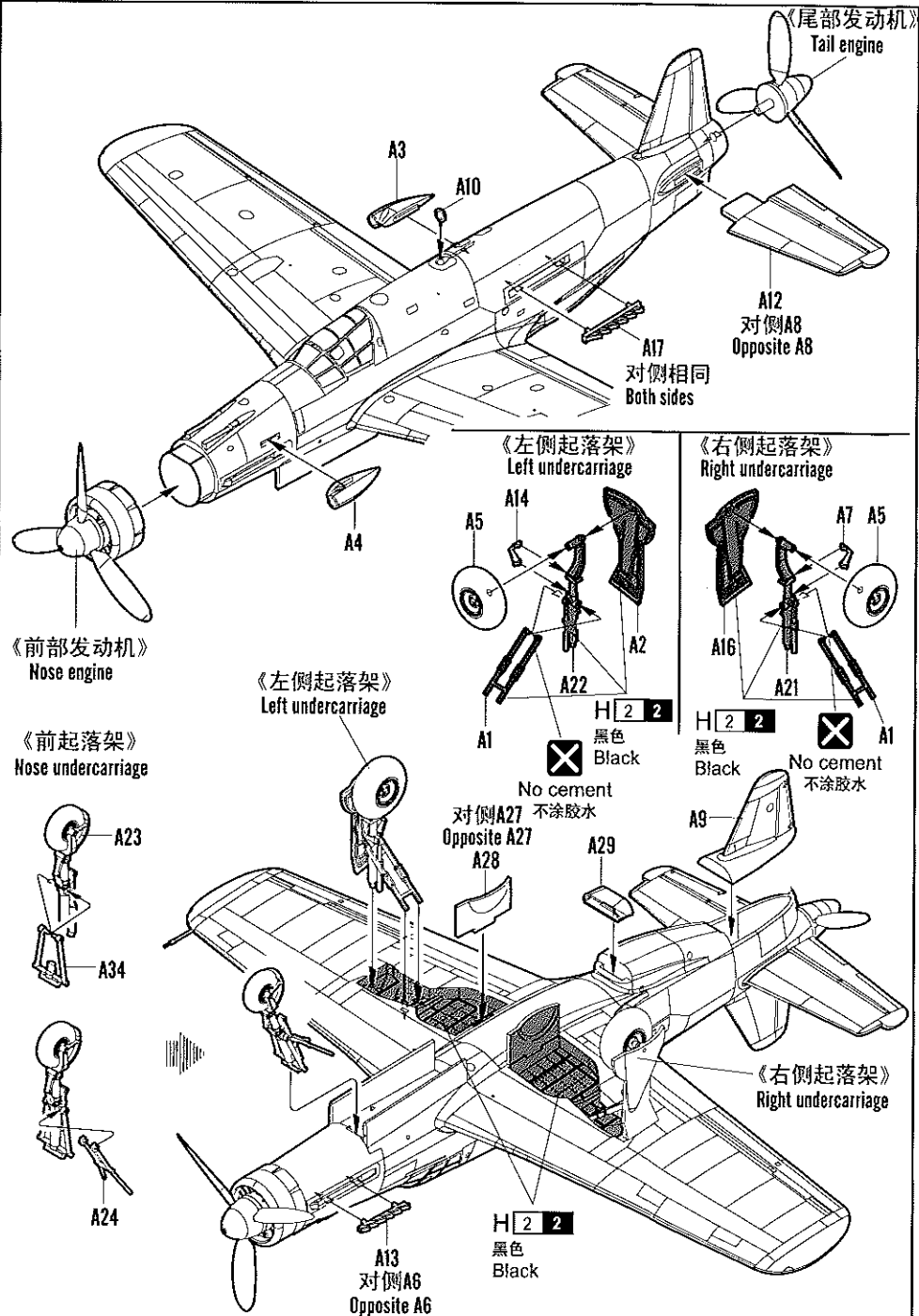
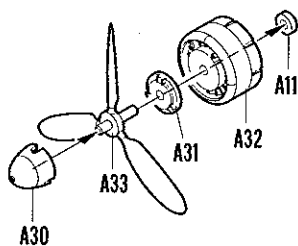


《下部机身》  
Lower fuselage

《尾部发动机》  
Tail engine



《前部发动机》  
Nose engine

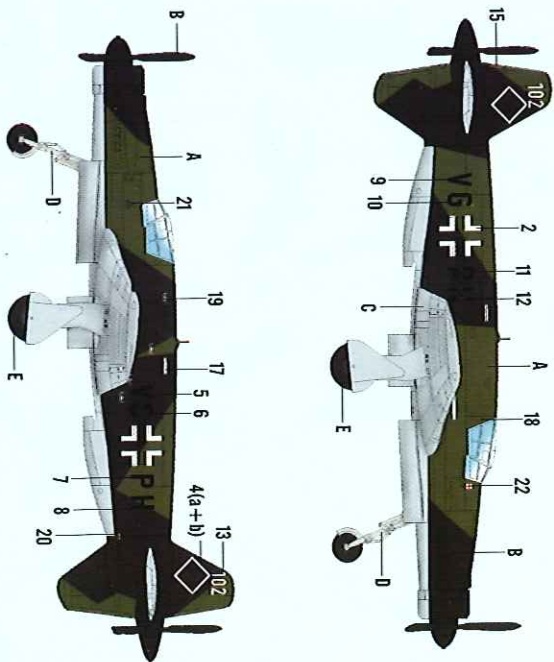
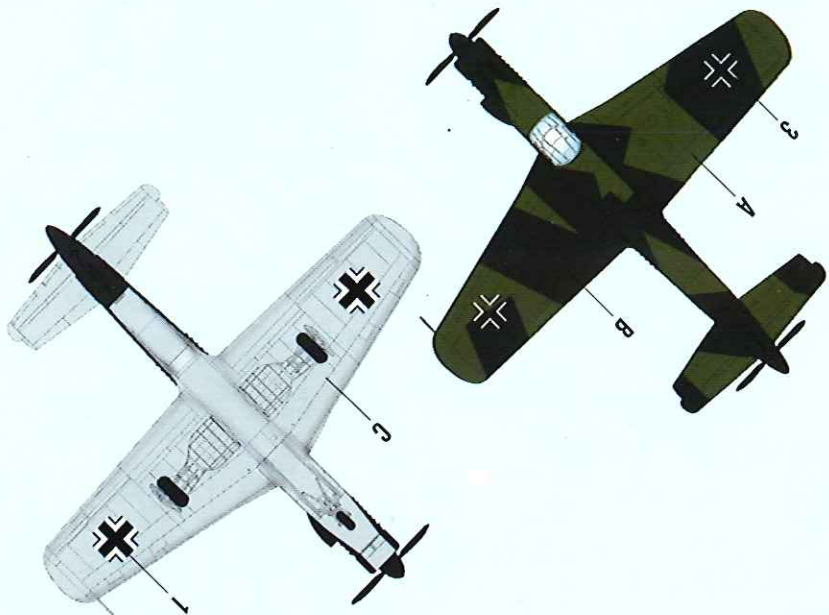


# 1/72 SCALE

## Dornier Do335 Pfeil Heavy Fighter



**A** Germany, Do.335A-1, 102, VG+PH



Color	Mr.Hobby	Vallejo	Metal Master	Tamiya	Humbrol
A 深绿色 Forest Green	H 609 300	893	1710	XF58	T16
B 灰色 Engine Gray	H 601 301	866	--	XF24	--
C 浅蓝色 Light Blue	H 74	--	--	--	--
D 银色 Silver	H 8 8	397	1546	X11	11
E 黑色 Tie Black	H 77 137	--	--	--	--

### EASY ASSEMBLY AUTHENTIC KIT

 cyanoacrylate glue  
强力胶

 weight  
配重

 make hole  
钻孔

 cut / remove  
切除

 option  
选择

 no cement  
不涂胶水

 decal  
贴纸

 bend  
弯曲

 repair  
填补

#### The way to apply the decals

1. Cut off the decal from the decal paper and put it into the warm water 40 C for 10 seconds.
2. Take the decal from the water and put it on a piece of clean cloth.
3. Remove the decal slowly from the paper to the targeted location by a wet finger.
4. Use a piece of dry and soft cloth to press it gently on the decal until it getting dry and no bubble existing.

#### 水贴纸的使用方法:

- 一. 把相关的印花从水贴纸上剪下, 放入40C左右的温水中浸10秒.
- 二. 然后将印花放在干净的布上.
- 三. 拿上印花纸, 手指蘸水将印花移到适当的位置.
- 四. 用软干布轻压印花直至水干, 气泡消失.

\*Some paints may not be available in your country. Please check your local hobby shop for substitute

80293