

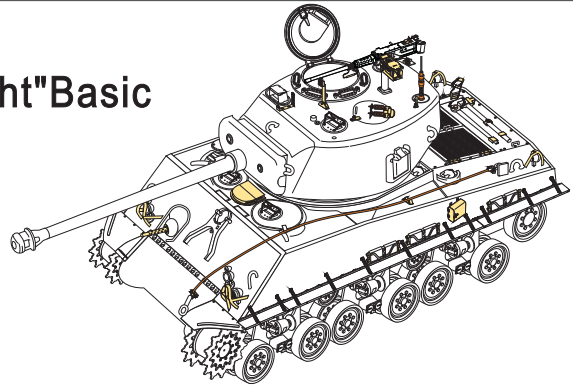
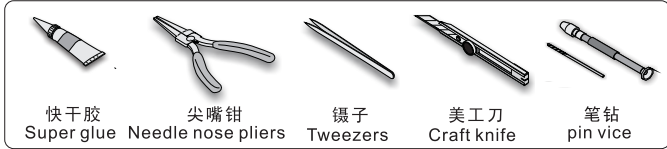
1/35 MILITARY MINIATURE VEHICLE UPGRADE SERIES PE35709

WWII US M4A3E8 Sherman "Easy Eight" Basic










二战美国M4A3E8谢尔曼中型坦克基本改造件

[For TAMIYA 25175]

推荐使用工具 RECOMMENDED TOOLS




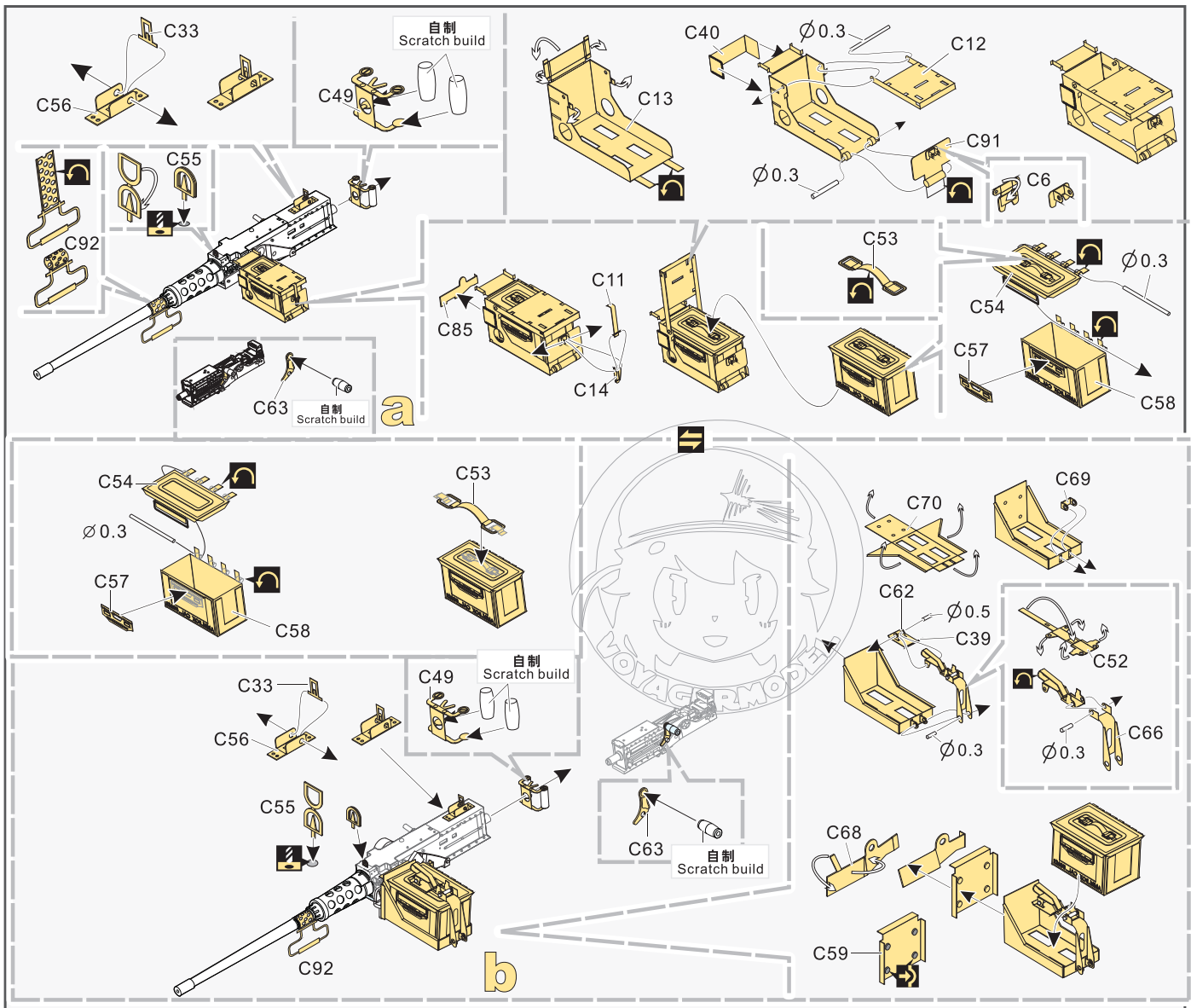
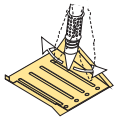
Technical assistance provided by Mr.ZHONG MINGZHOU

- 
 安装
install
- 
 折叠
bend
- A1**
 改造件零件编号
PE/resin part number
- B12**
 原零件编号
kit part number
- C22**
 被替换的原零件编号
replaced kit part number
- 
 另一侧相同制作
repeat on opposite side
- 
 切除
remove
- 
 打磨
grind off
- 
 弧度卷曲
radial bending
- x2**
 制作若干组
multiple assembly
- 
 选择安装
alternative
- 
 钻孔
drill
- 
 注意
caution

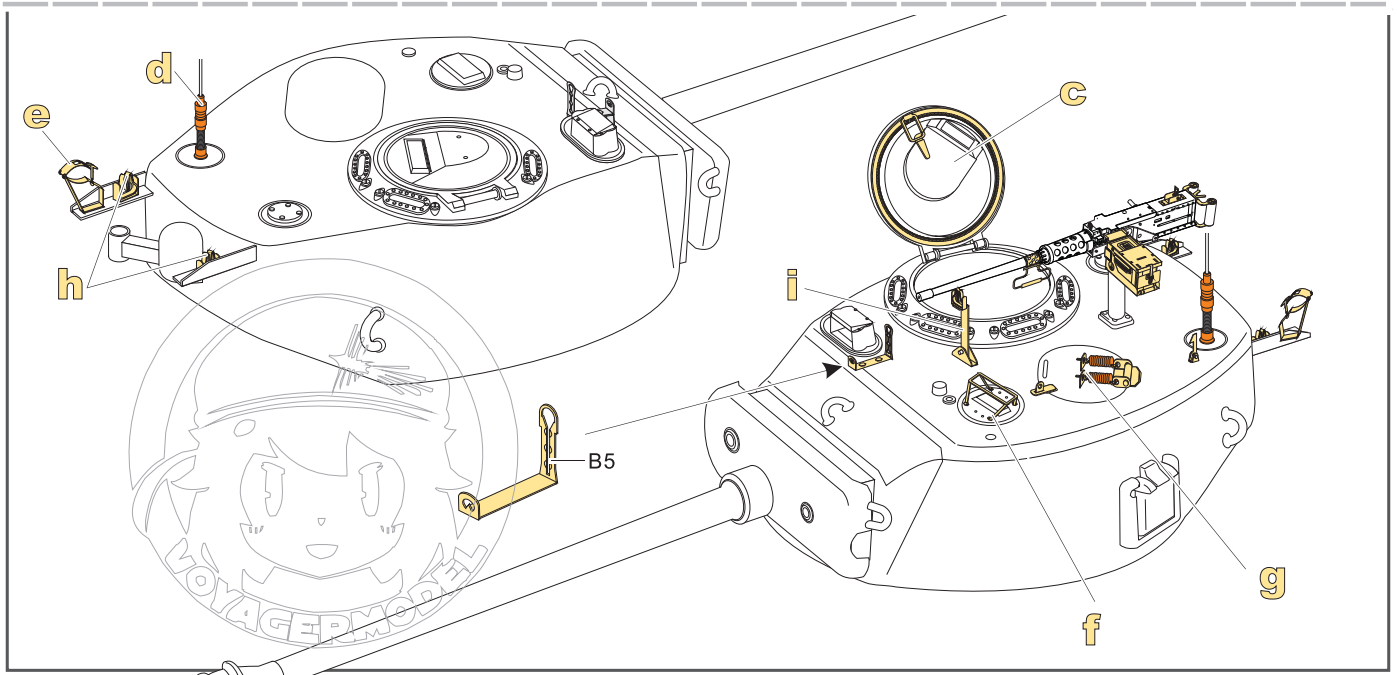
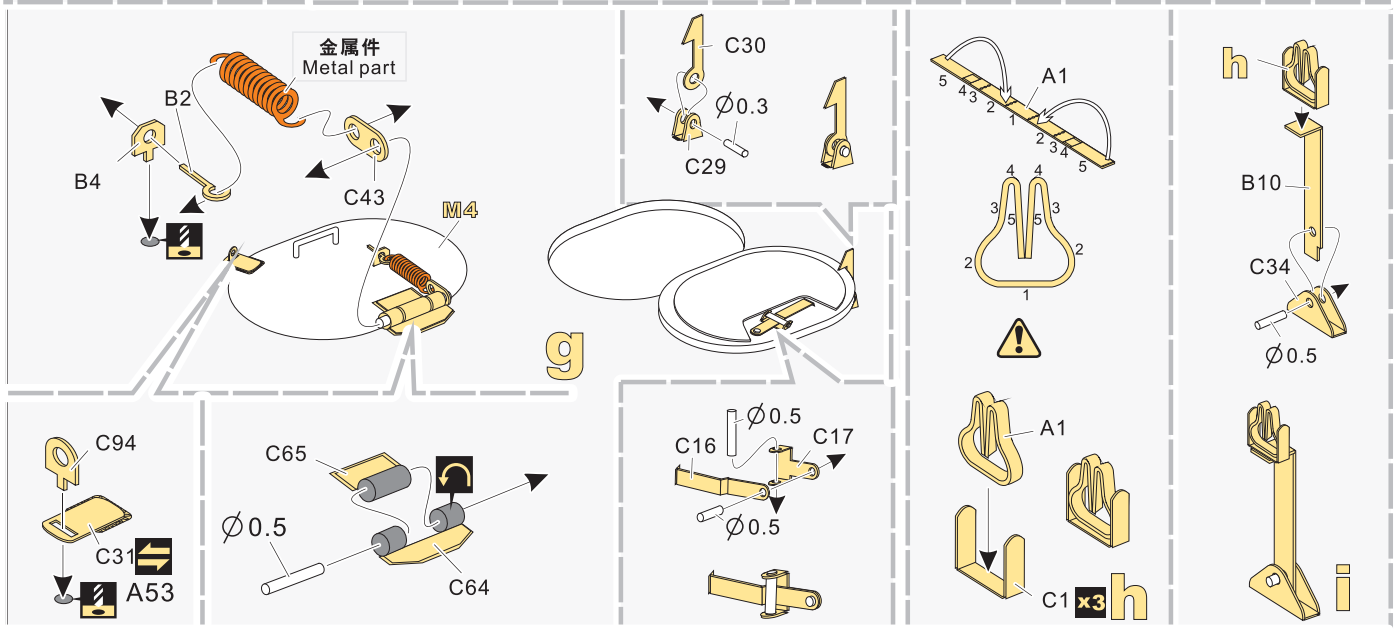
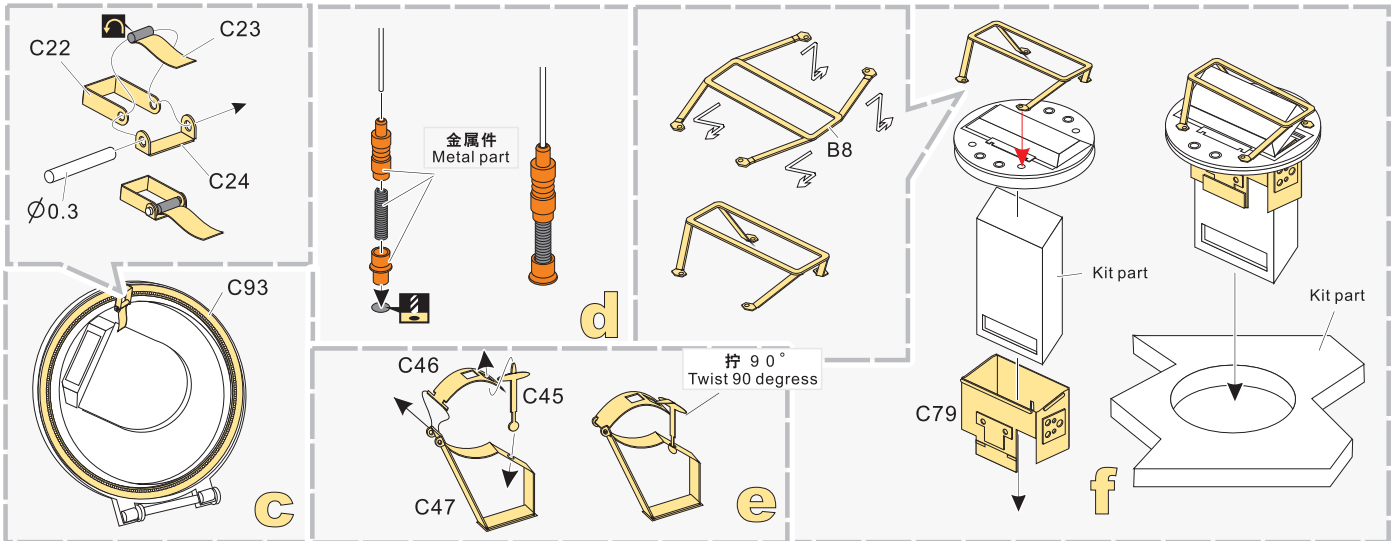
 用尖端在凹槽处冲压
use penpoint to press on the dent

 蚀刻片零件内朝向上
Put the part upside down

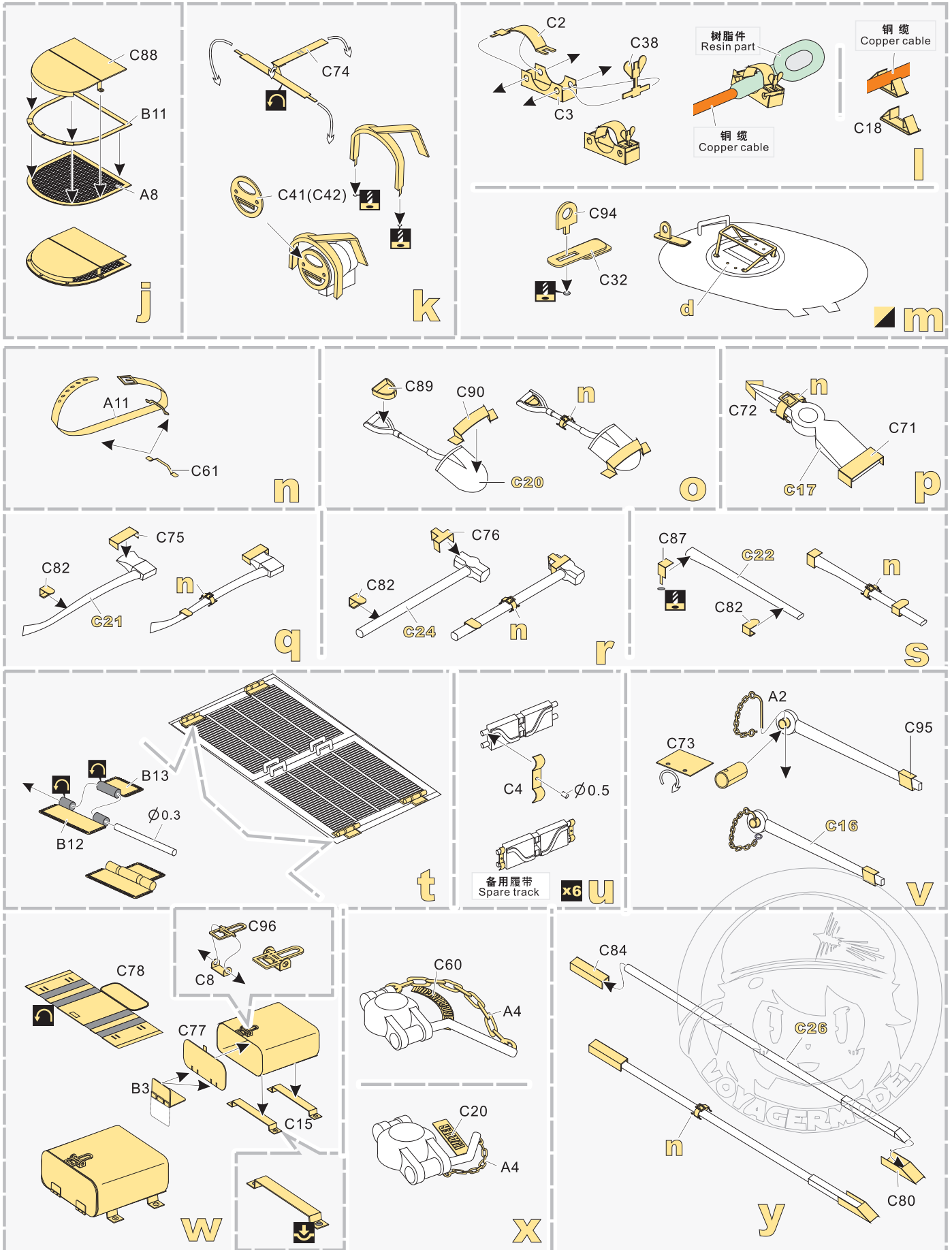
 用笔尖在凹槽处刺
Use penpoint to press on the dent



1/35 MILITARY MINIATURE VEHICLE UPGRADE SERIES PE35709



1/35 MILITARY MINIATURE VEHICLE UPGRADE SERIES PE35709

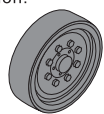


1/35 MILITARY MINIATURE VEHICLE UPGRADE SERIES PE35709

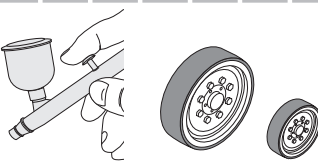
漏喷板使用说明:
Instruction:



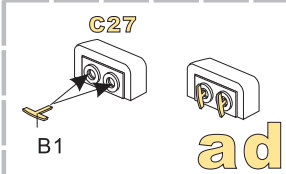
未上色零件
Unpainted part



喷橡胶黑
spray tyre black



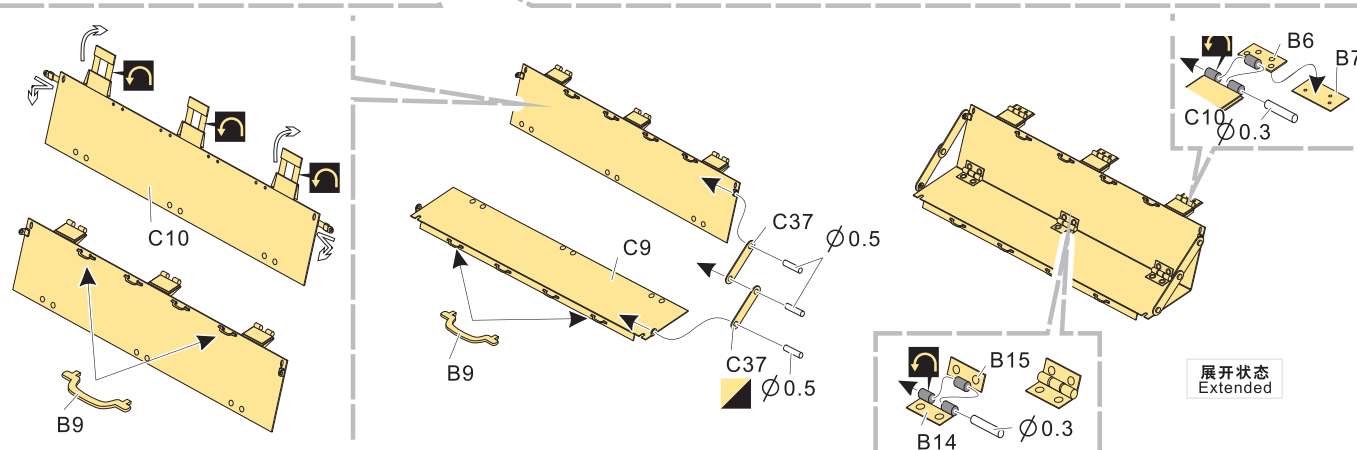
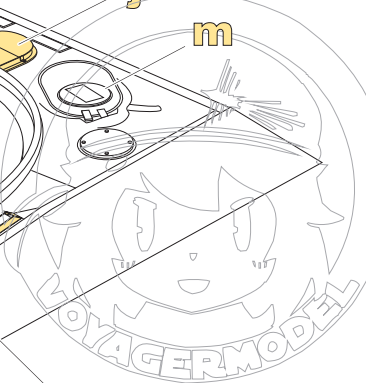
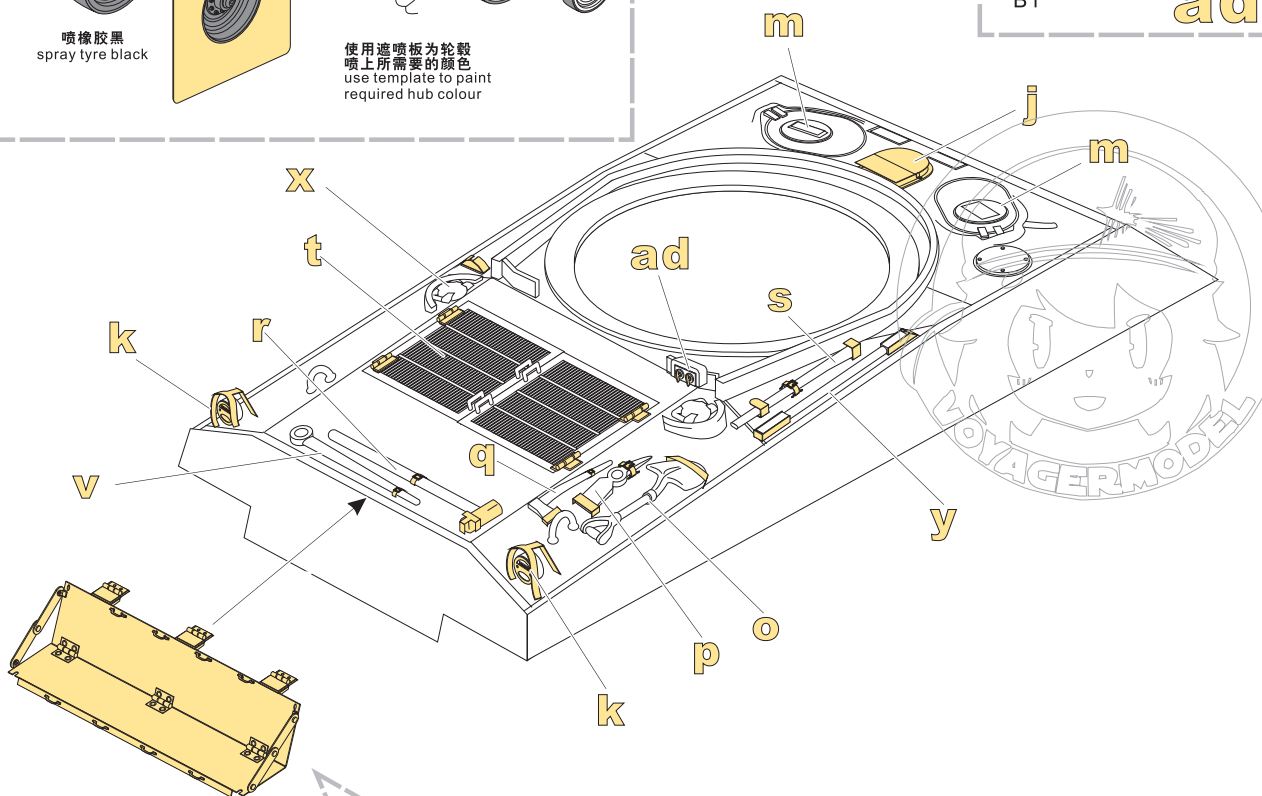
使用遮喷板为轮毂
喷上所需要的颜色
use template to paint
required hub colour



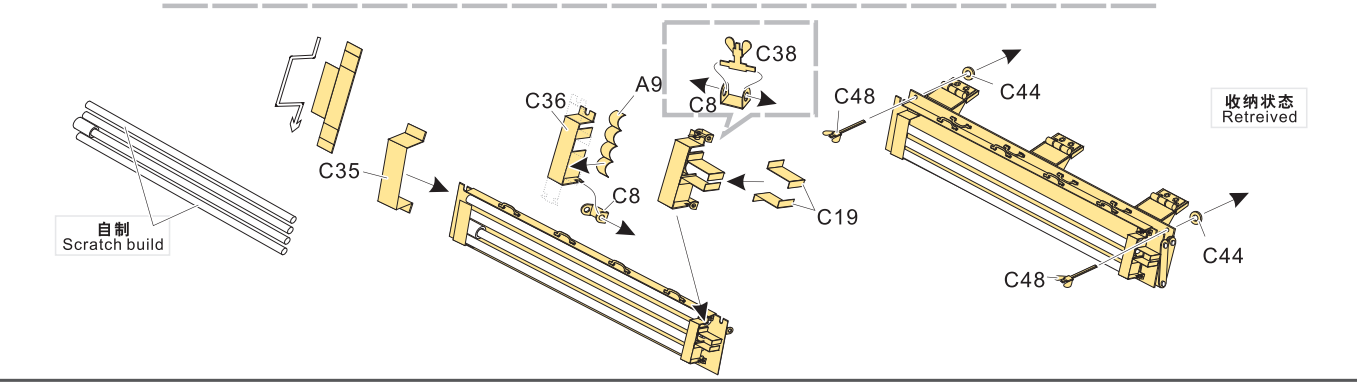
B1



ad



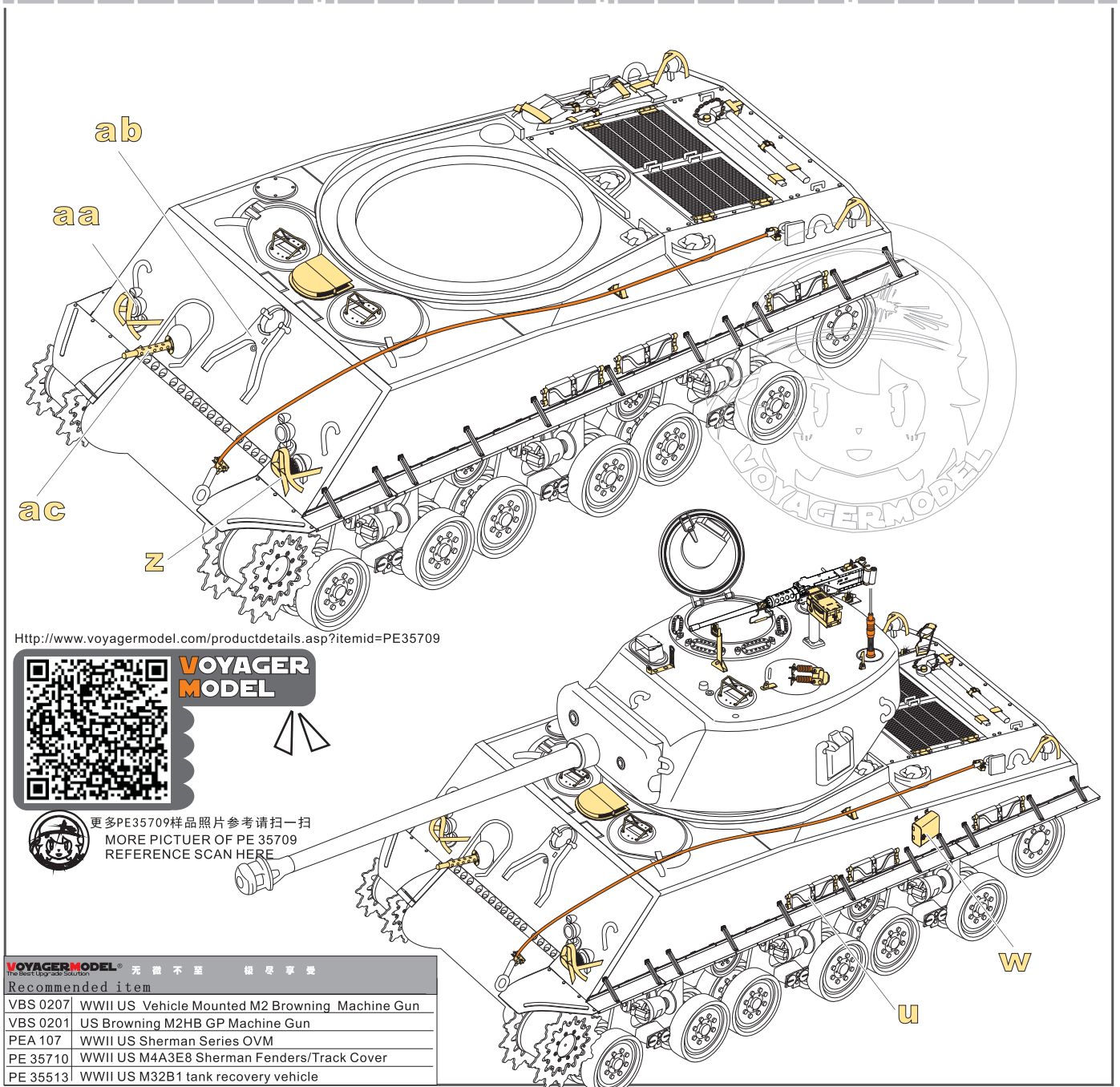
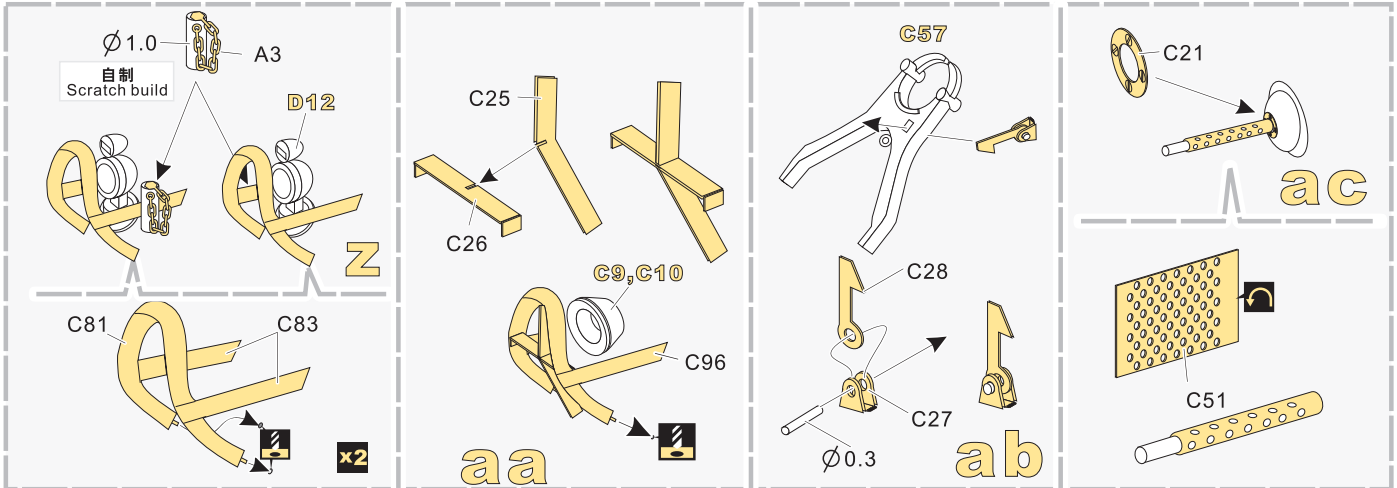
展开状态
Extended



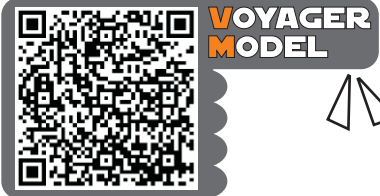
收纳状态
Retrieved

自制
Scratch build

1/35 MILITARY MINIATURE VEHICLE UPGRADE SERIES PE35709



<http://www.voyagermodel.com/productdetails.asp?itemid=PE35709>



更多PE35709样品照片参考请扫一扫
MORE PICTUER OF PE 35709
REFERENCE SCAN HERE

VOYAGERMODEL® 元微不至 极尽享受
The Best Upgrade Solution

Recommended item	
VBS 0207	WWII US Vehicle Mounted M2 Browning Machine Gun
VBS 0201	US Browning M2HB GP Machine Gun
PEA 107	WWII US Sherman Series OVM
PE 35710	WWII US M4A3E8 Sherman Fenders/Track Cover
PE 35513	WWII US M32B1 tank recovery vehicle