

# 1/72 SCALE

## BF-109E4/TROP



### EASY ASSEMBLY AUTHENTIC KIT



cyanoacrylate glue  
强力胶



weight  
配重



make hole  
钻孔



cut / remove  
切除



option  
选择



no cement  
不涂胶水



decal  
贴纸



bend  
弯曲

#### The way to apply the decals

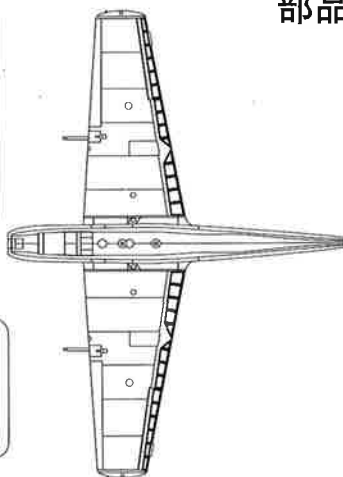
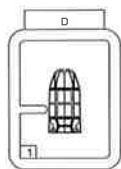
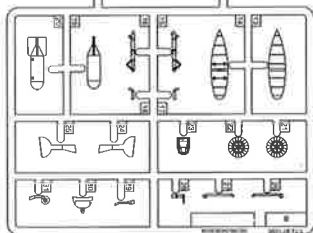
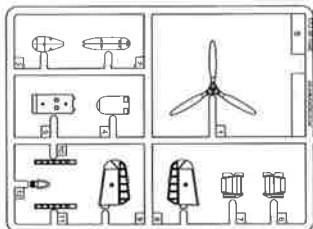
1. Cut off the decal from the decal paper and put it into the warm water 40°C for 10 seconds.
2. Take the decal from the water and put it on a piece of clean cloth.
3. Remove the decal slowly from the paper to the targeted location by a wet finger.
4. Use a piece of dry and soft cloth to press it gently on the decal until it getting dry and no bubble existing.

#### 水贴纸的使用方法:

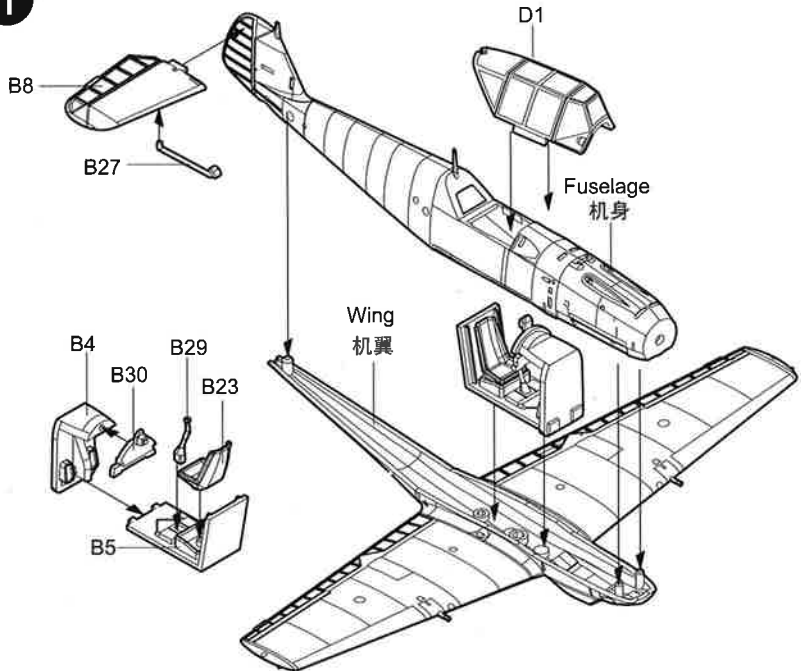
- 一. 把相关的印花从水贴纸上剪下, 放入40°C左右的温水中浸10秒.
- 二. 然后将印花放在干净的布上.
- 三. 拿上印花纸板, 手指蘸水将印花移到适当的位置.
- 四. 用软干布轻压印花直至水干, 气泡消失.

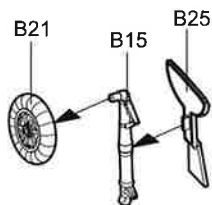
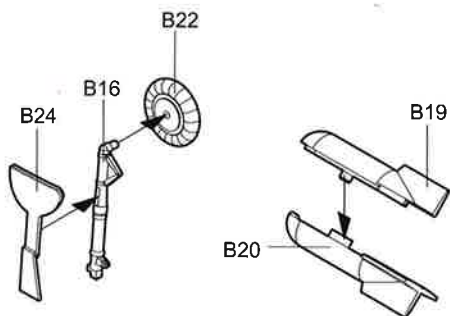
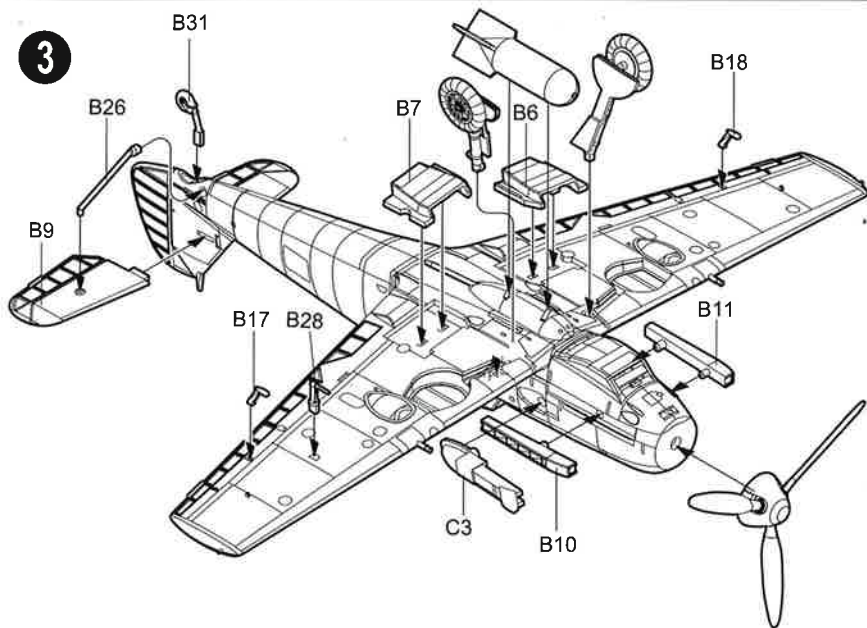
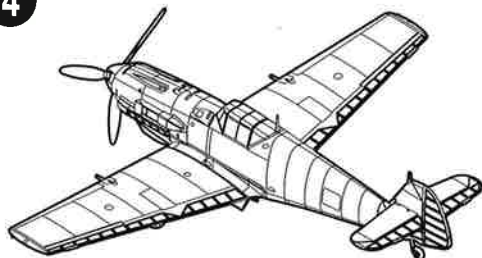
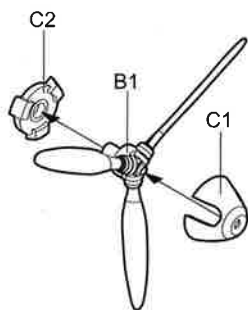
80261

# 部品图 Parts



1



**2****4****3****4**

## 2/JG27



H 120  
 橄榄绿  
 R1m80 olive green

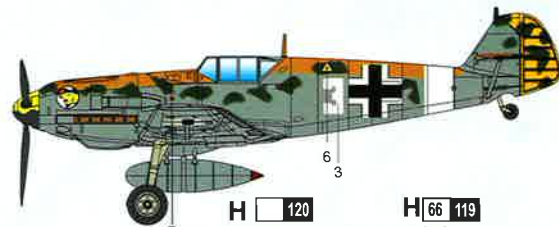
H 119  
 沙棕色  
 R1m79 sandy brown



H 118  
 浅兰色R1m78 light blue

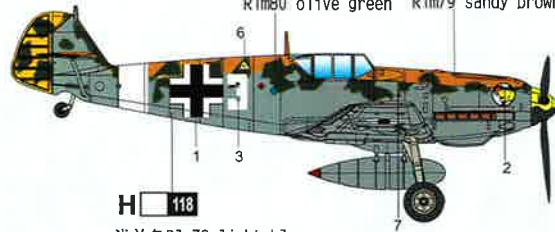


## 1/JG27 Marseille



H 120  
 橄榄绿  
 R1m80 olive green

H 66 119  
 沙棕色  
 R1m79 sandy brown



H 118  
 浅兰色R1m78 light blue

