

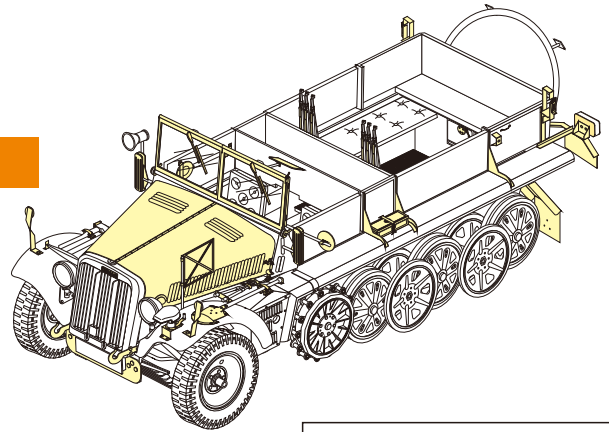
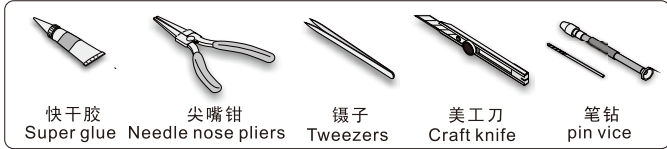
1/35 MILITARY MINIATURE VEHICLE UPGRADE SERIES PE351073

# WWII German Sd.Kfz. 10 Asuf.B Half Track Early Version

## 二战德国Sd.Kfz.10 Ausf.B 半履带运兵车改造件

[For DRAGON 6731]

■ 推荐使用工具 RECOMMENDED TOOLS

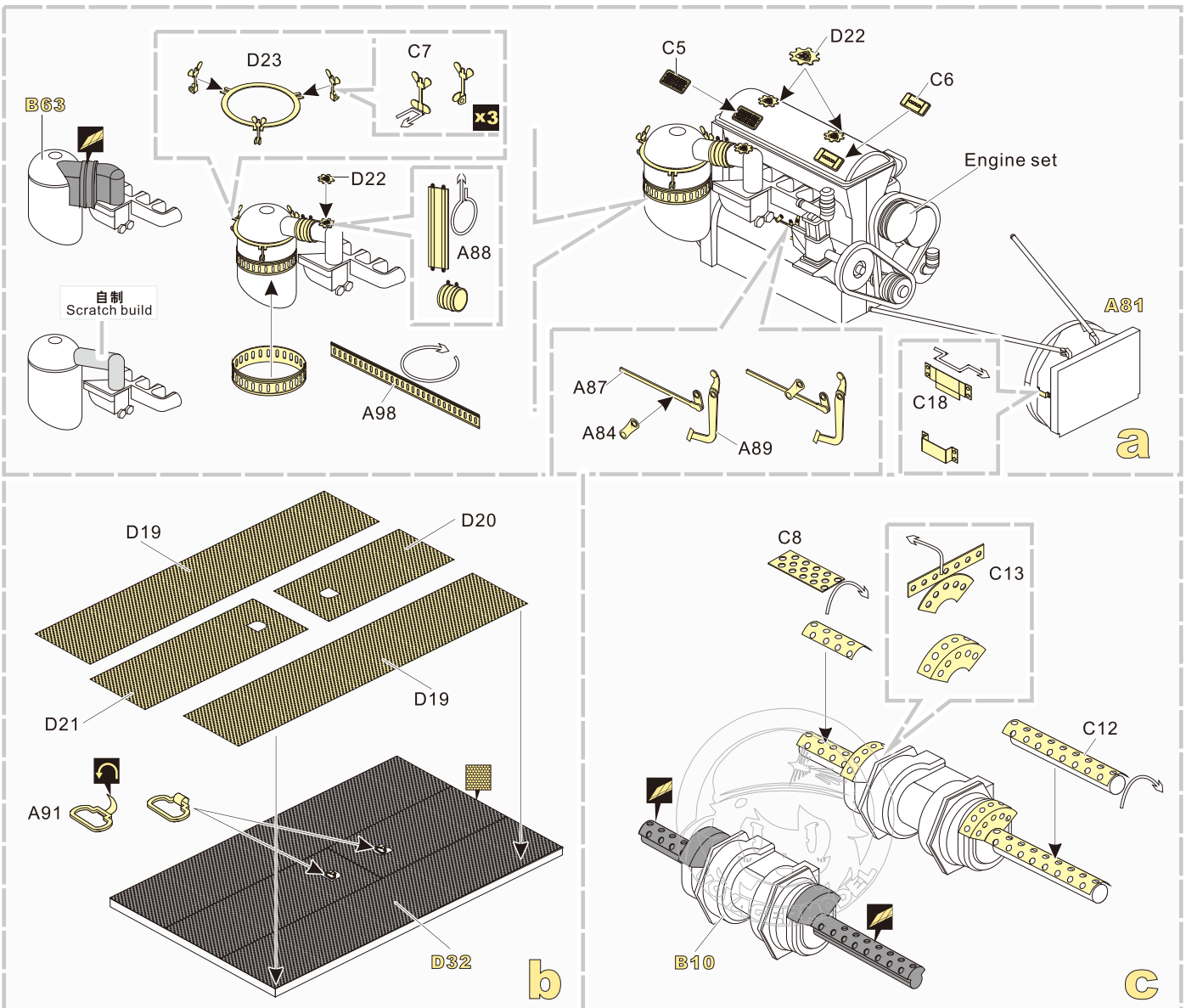


- 安装 install
- 折叠 bend
- A1** 改造件零件编号 PE/resin part number
- B12** 原零件编号 kit part number
- C22** 被替换的原零件编号 replaced kit part number
- 另一侧相同制作 repeat on opposite side
- 切除 remove
- 打磨 grind off
- 弧度卷曲 radial bending
- x2** 制作若干组 multiple assembly
- 选择安装 alternative
- 钻孔 drill
- 用胶棒制作 make from plastic rod

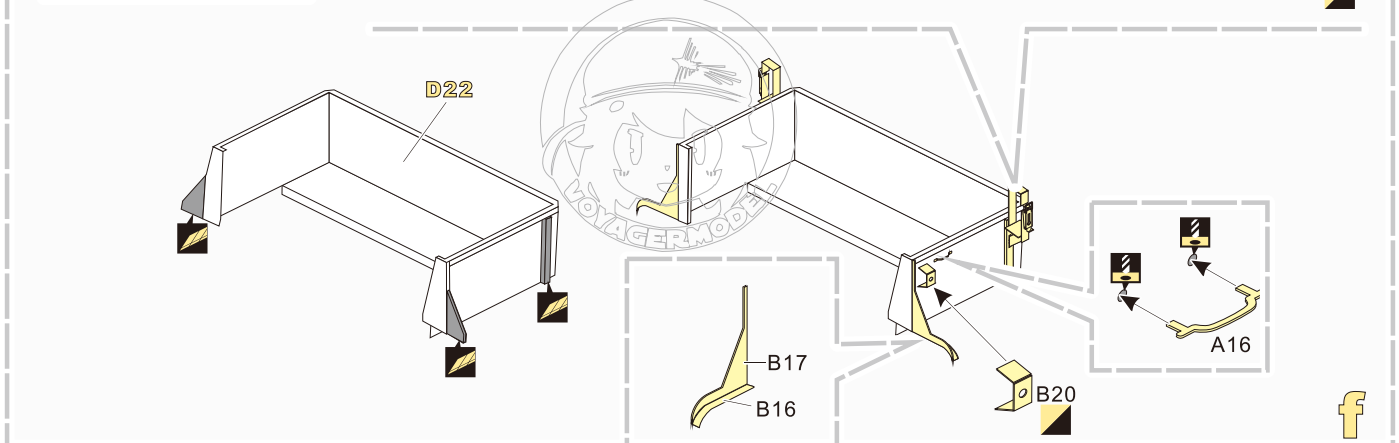
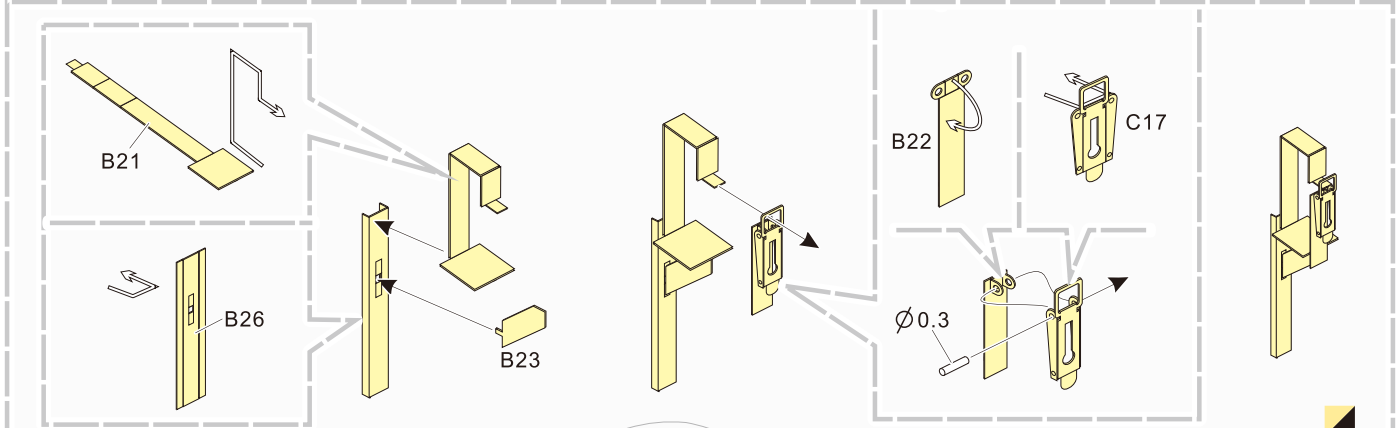
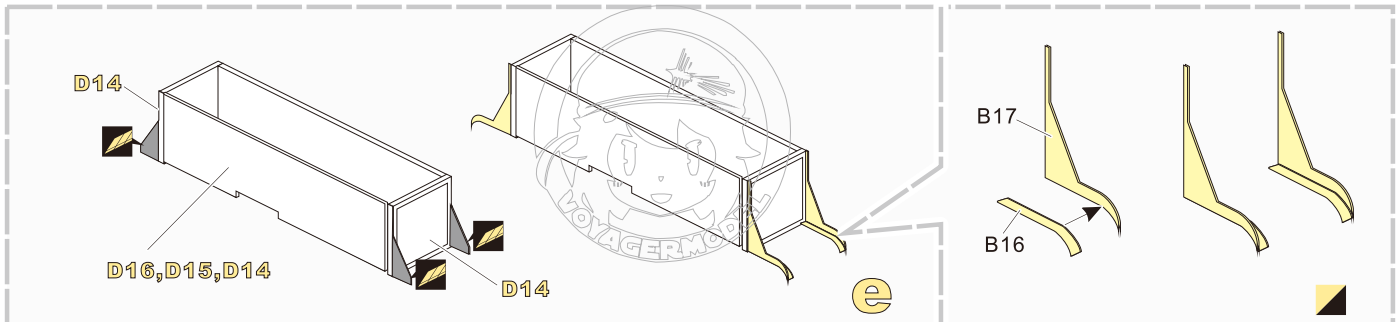
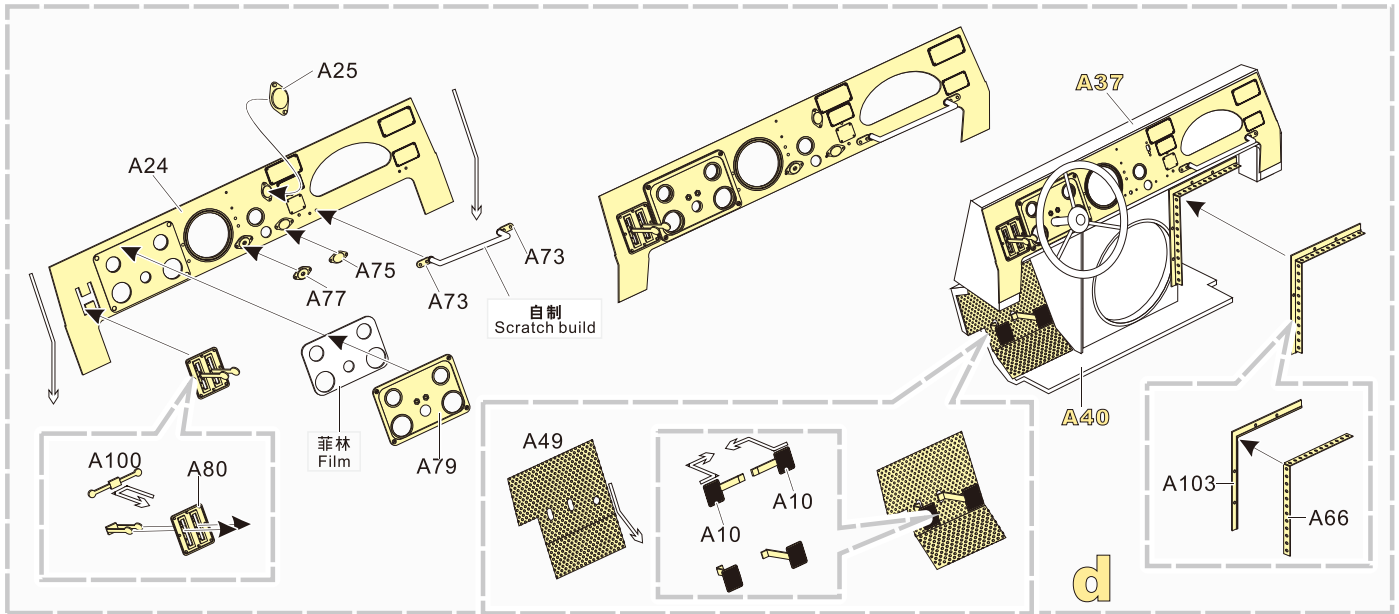
用尖端在凹槽处冲压 use penpoint to press on the dent

蚀刻片零件内侧面向上 Put the part upside down

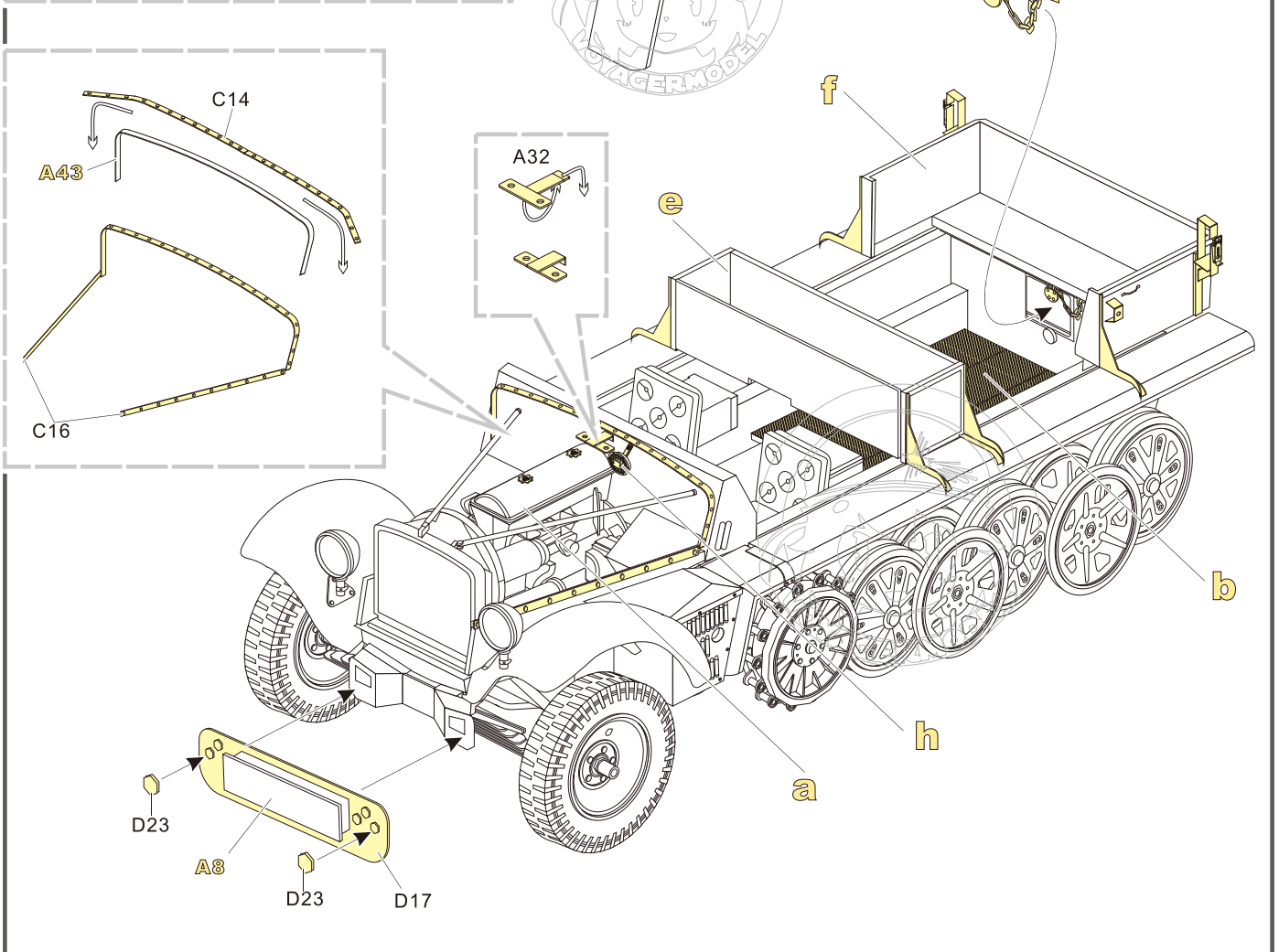
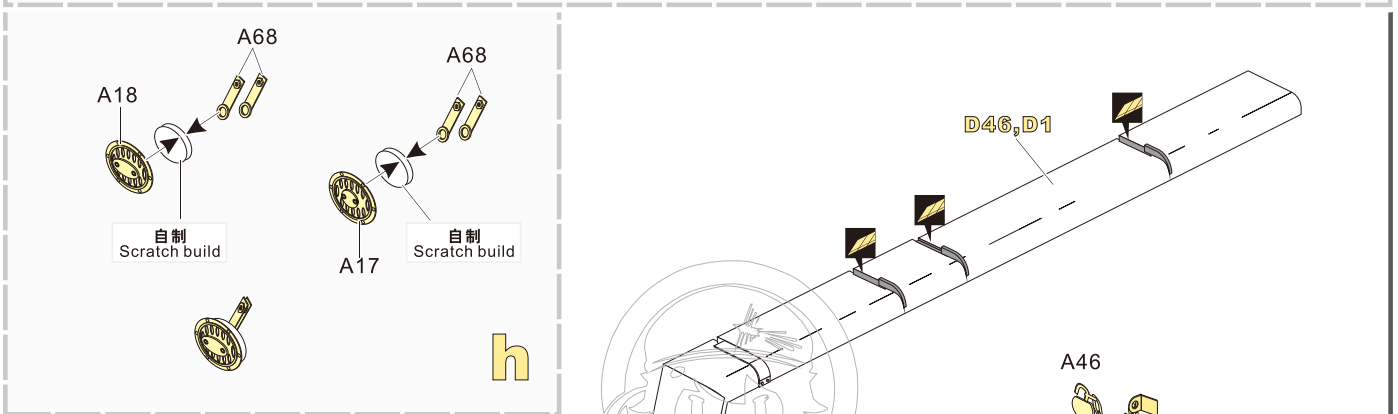
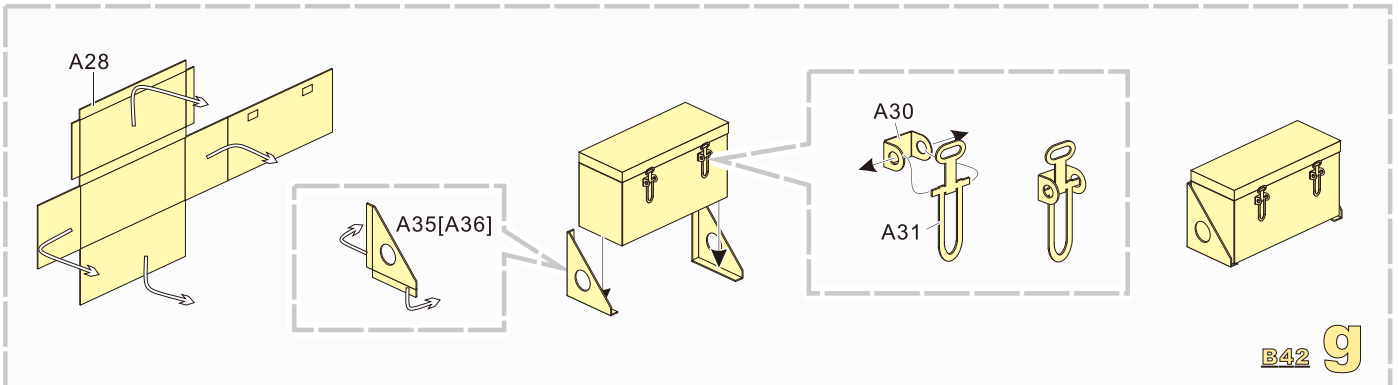
用笔尖在凹槽处刺 Use penpoint to press on the dent



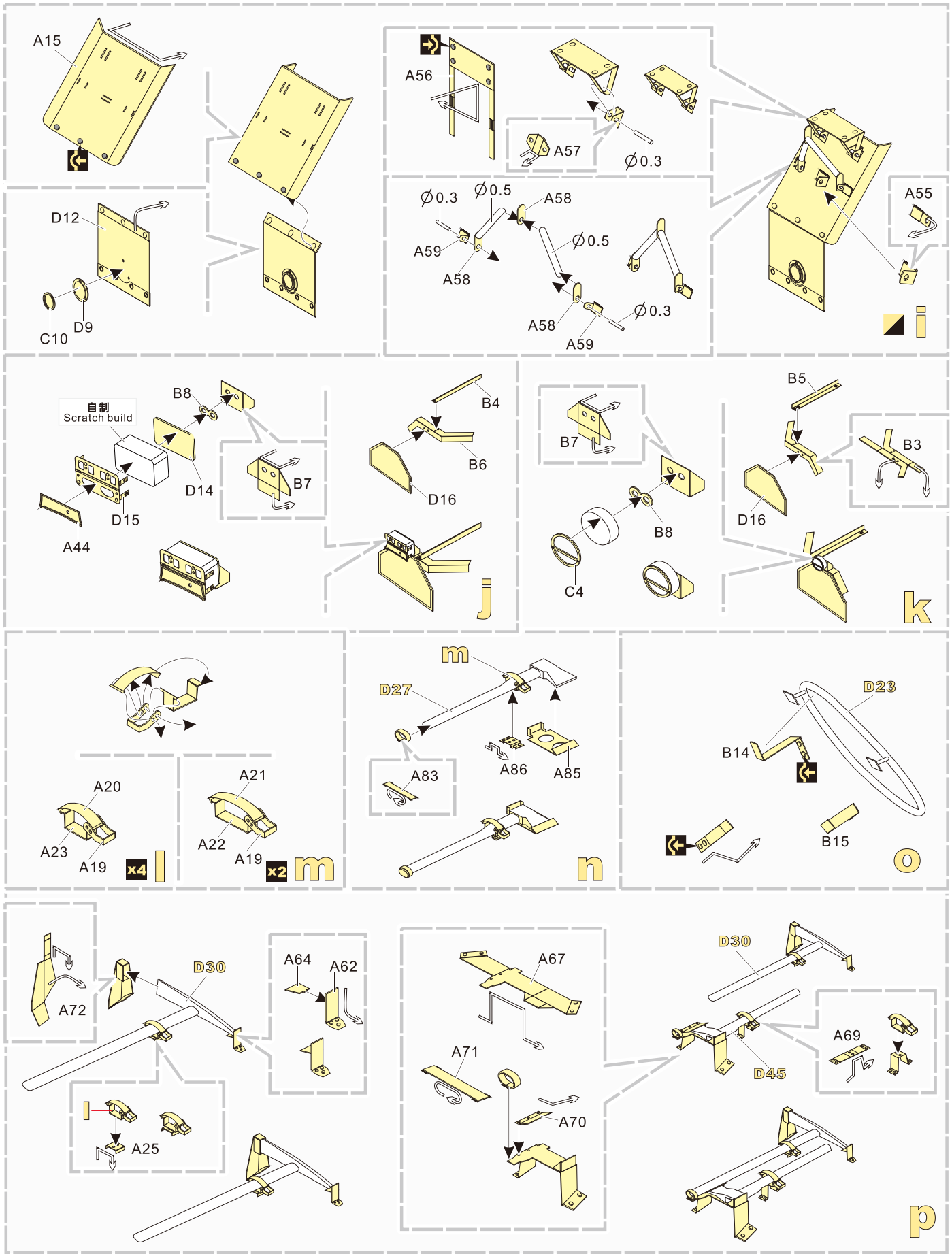
1/35 MILITARY MINIATURE VEHICLE UPGRADE SERIES PE351073



1/35 MILITARY MINIATURE VEHICLE UPGRADE SERIES PE351073

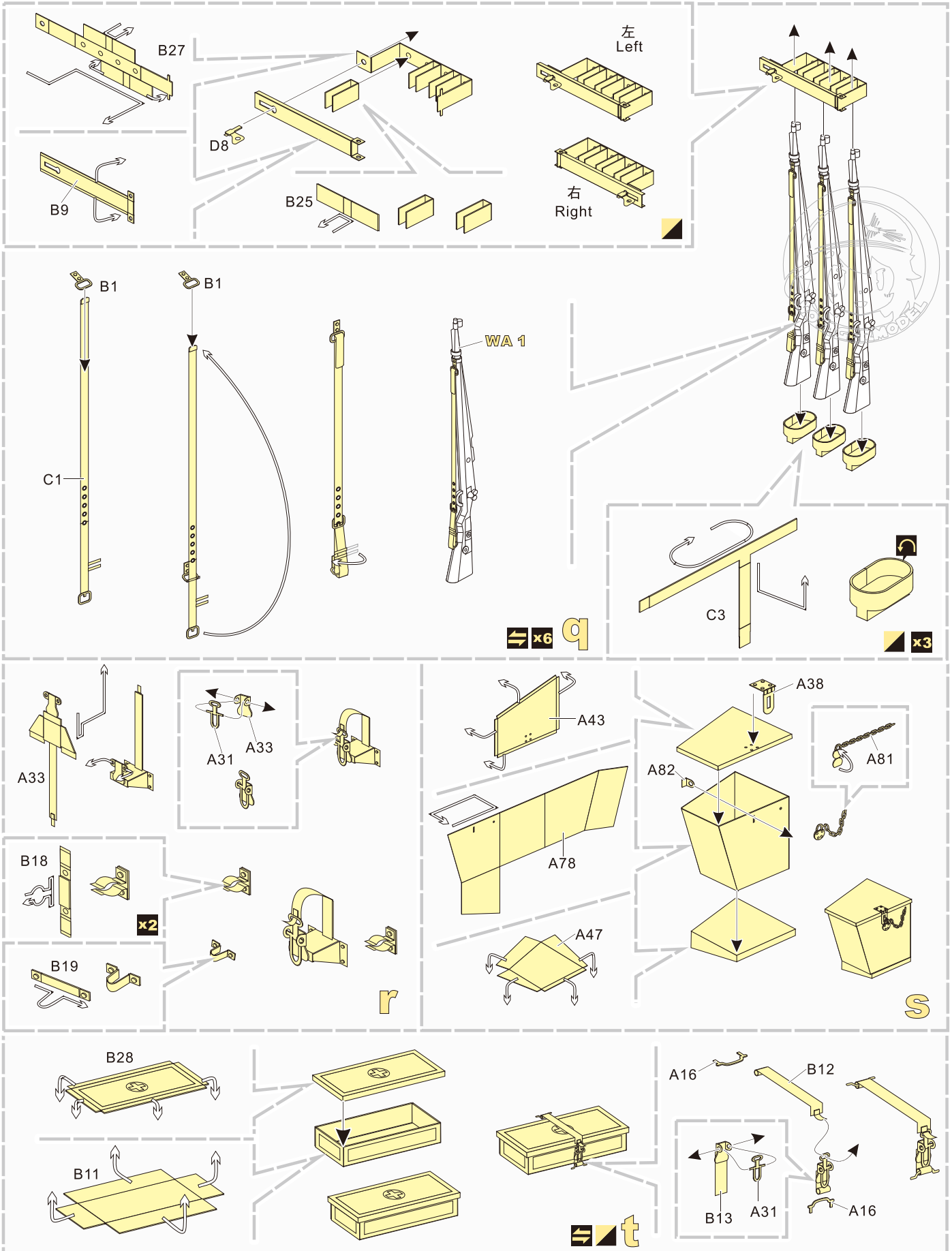


1/35 MILITARY MINIATURE VEHICLE UPGRADE SERIES PE351073

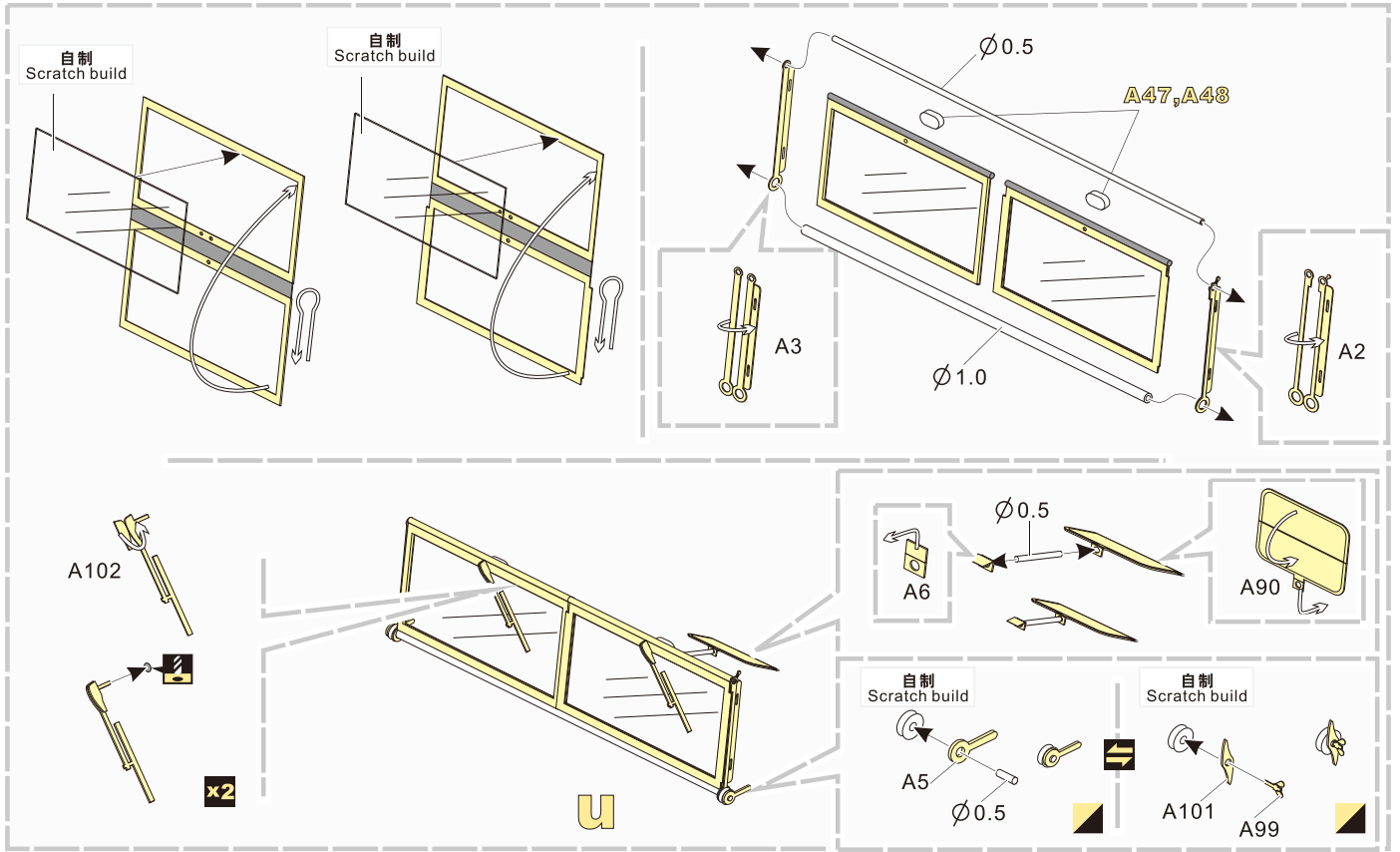
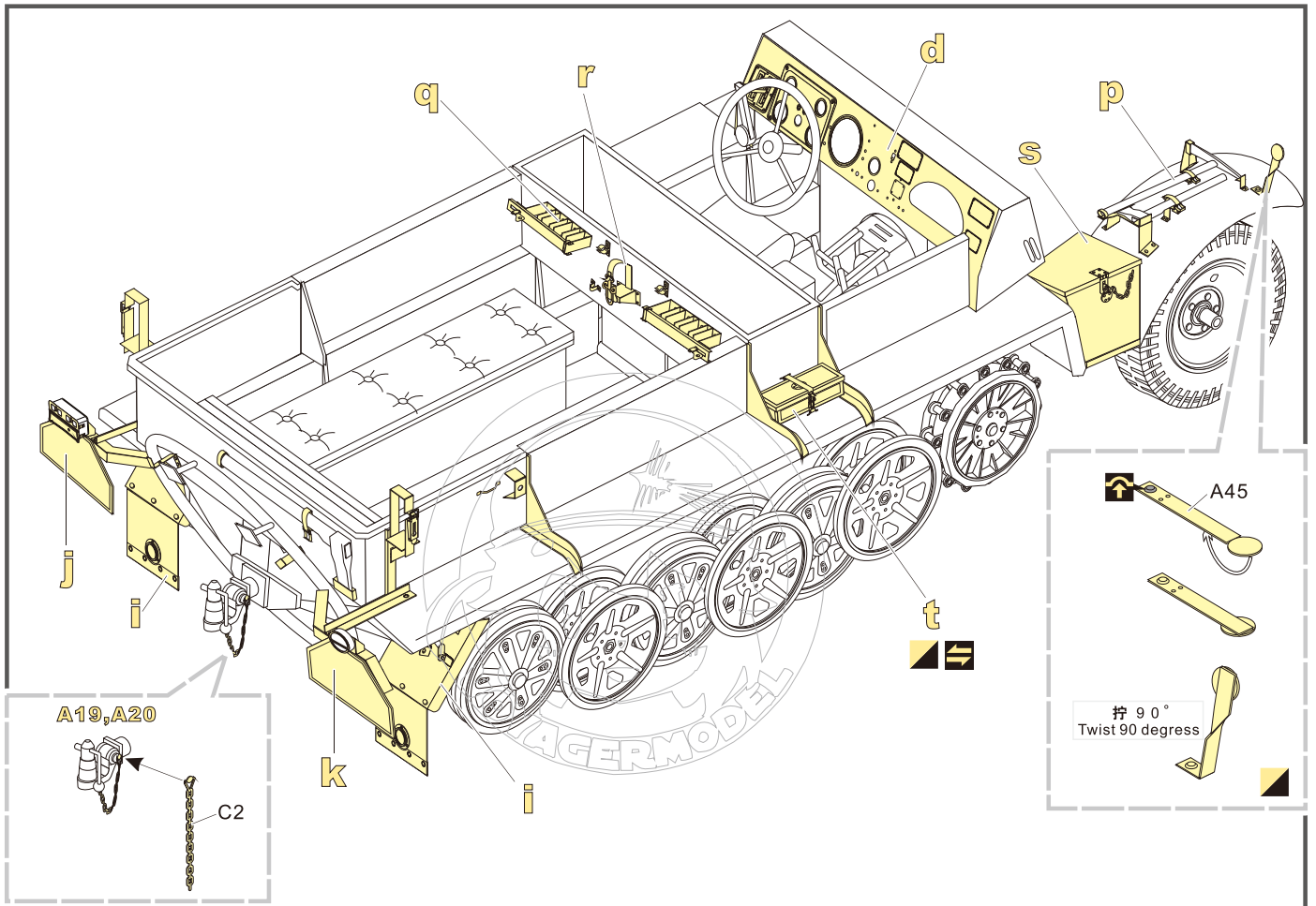




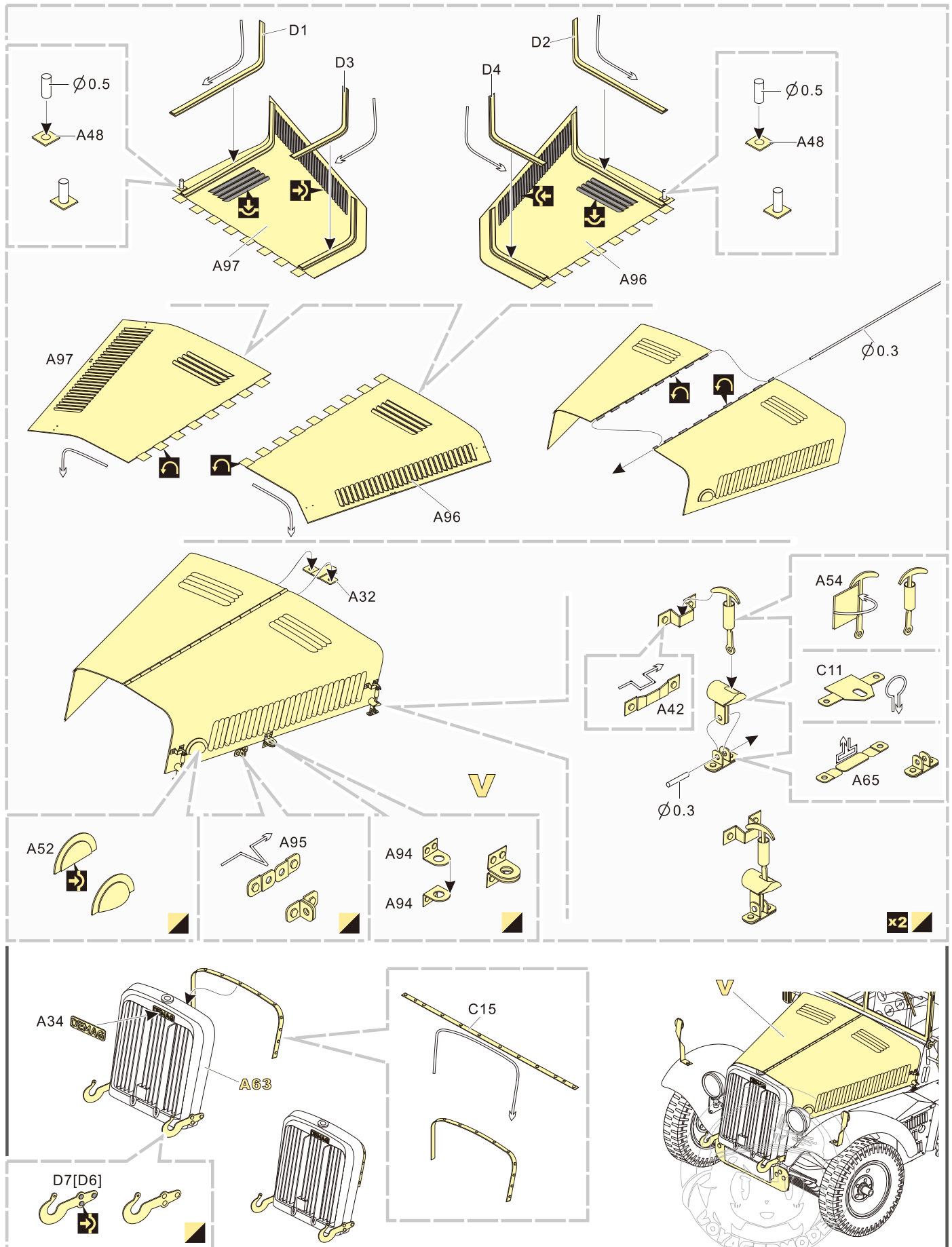
1/35 MILITARY MINIATURE VEHICLE UPGRADE SERIES PE351073



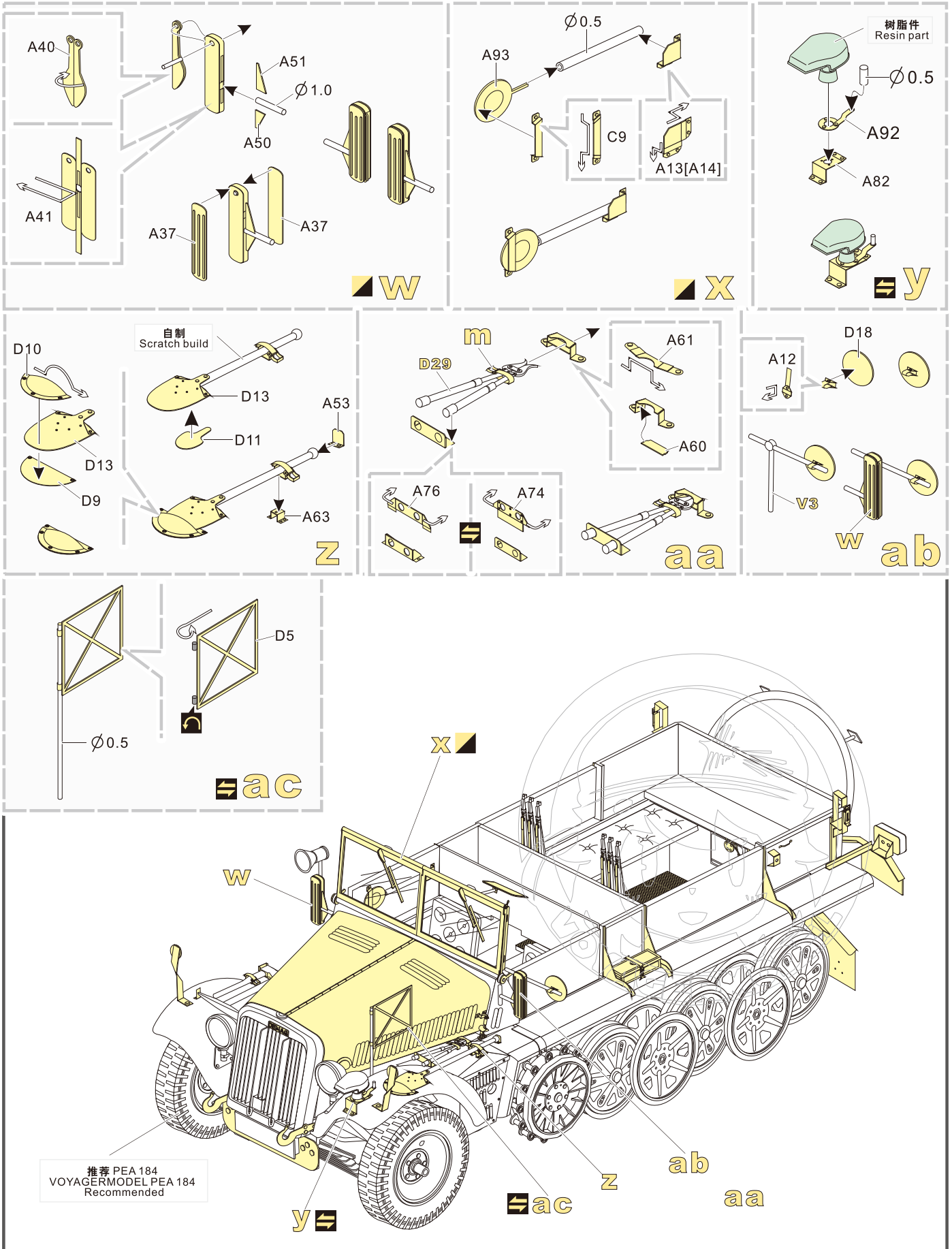
1/35 MILITARY MINIATURE VEHICLE UPGRADE SERIES PE351073



1/35 MILITARY MINIATURE VEHICLE UPGRADE SERIES PE351073

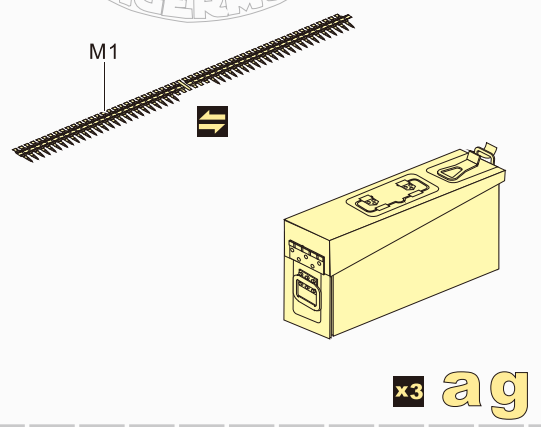
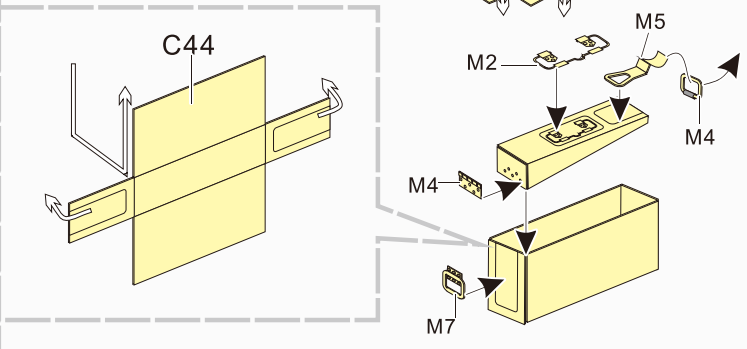
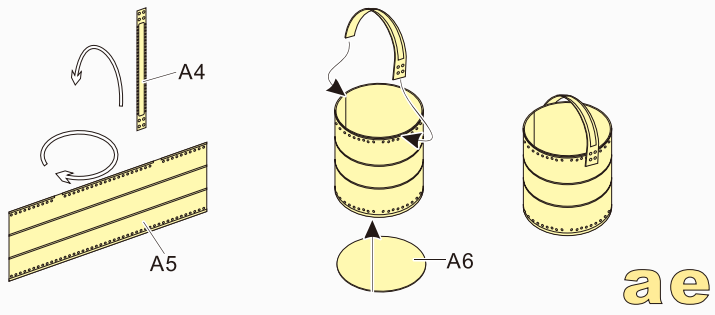
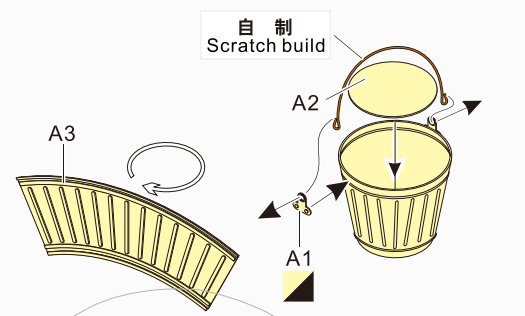
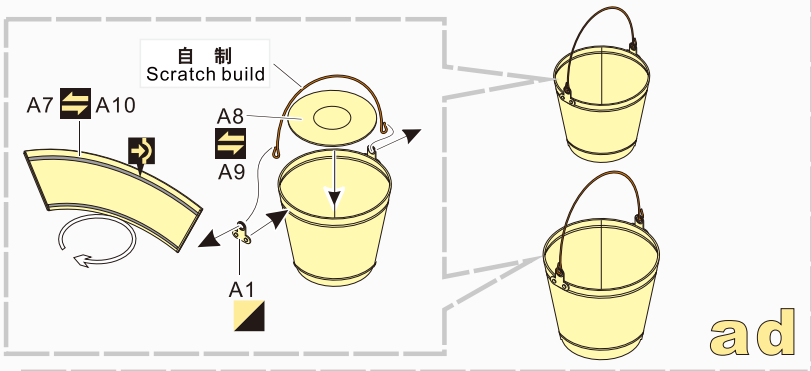


1/35 MILITARY MINIATURE VEHICLE UPGRADE SERIES PE351073





1/35 MILITARY MINIATURE VEHICLE UPGRADE SERIES PE351073



[Http://www.voyagermodel.com/productdetails.asp?itemid=PE351073](http://www.voyagermodel.com/productdetails.asp?itemid=PE351073)



**VOYAGER  
MODEL**



更多PE351073样品照片参考请扫一扫  
MORE PICTUER OF PE 351073  
REFERENCE SCAN HERE

**VOYAGERMODEL®** 无微不至 极尽享受  
The Best Upgrade Solution

Recommended item

PEA 184	WWII German Sd.Kfz.250 Road Wheels patten2
PEA 276	Elements for German Military personel 1
PE 35239	WWII German Sd.Kfz.250/8 "Stummel"
PE 35241	WWII German Sd.Kfz.250/1 NEU Basic
PE 35322	WWII German Sd.Kfz.250/9 NEU "RECON"
PE 35204	WWII German Sd.Kfz.222 4Rad
PE 35489	WWII German Sd.Kfz.231 8 ROD early version
PE 35193	WWII German Sd.Kfz.232 8 ROD early version
PE 35490	WWII German Sd.Kfz.232 8 ROD early version
PE 35572	WWII German Sd.Kfz.263 8 ROD early version
PE 35258	WWII German Sd.Kfz.251/1 Ausf.D Armoured Personnel Carrier
PE 351072	WWII German RSO/03 type 470 upgrade set
PE 35691	WWII German RSO/01 type 470
PE 35367	WWII German 75mm PaK 40/4 auf Steyr RSO basic ( RIVETS INCLUD )



微博公众号



官方淘宝



微信公众号