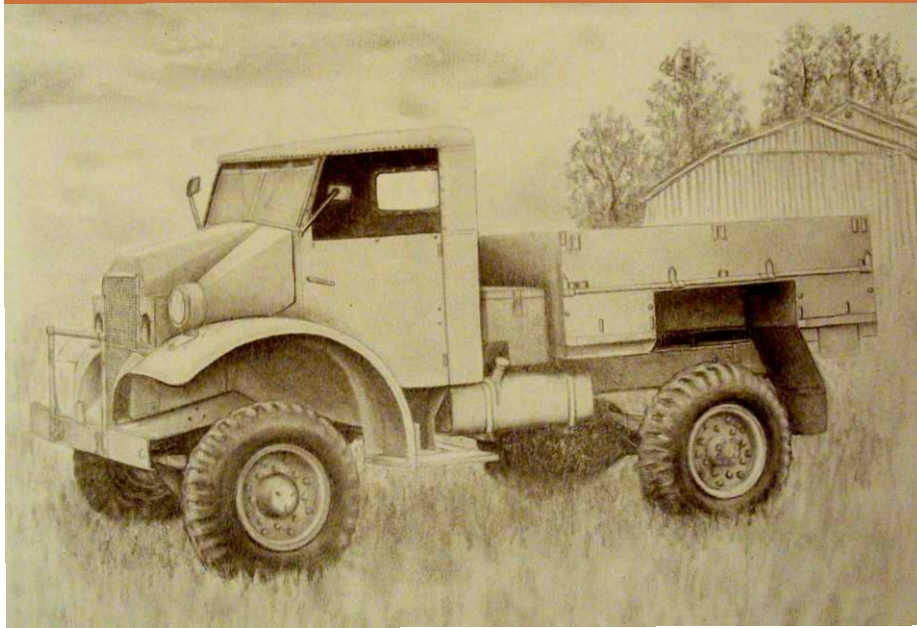


CMP C15A Lorry Van Truck

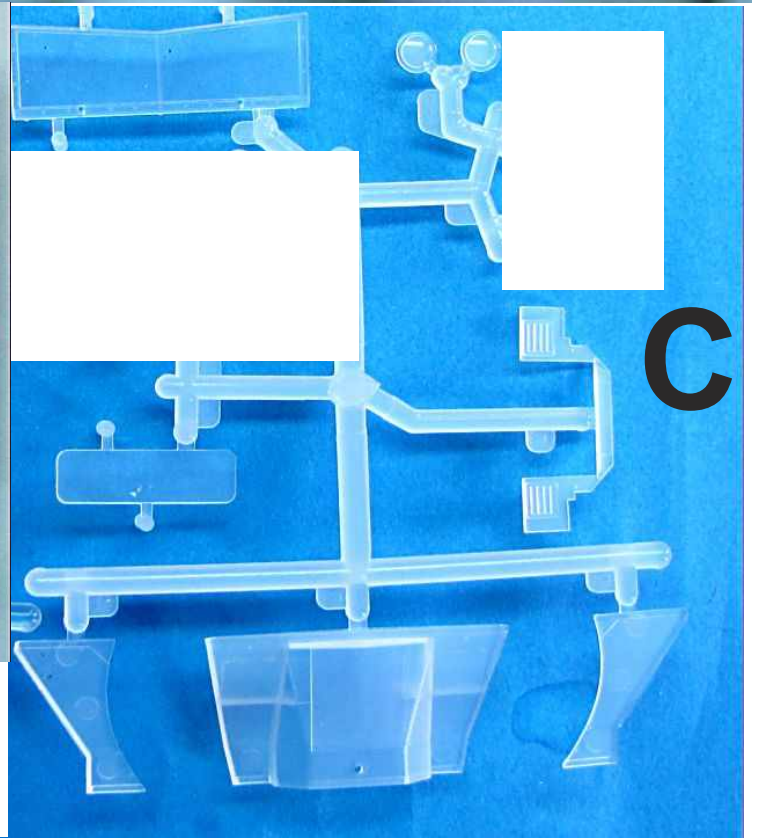
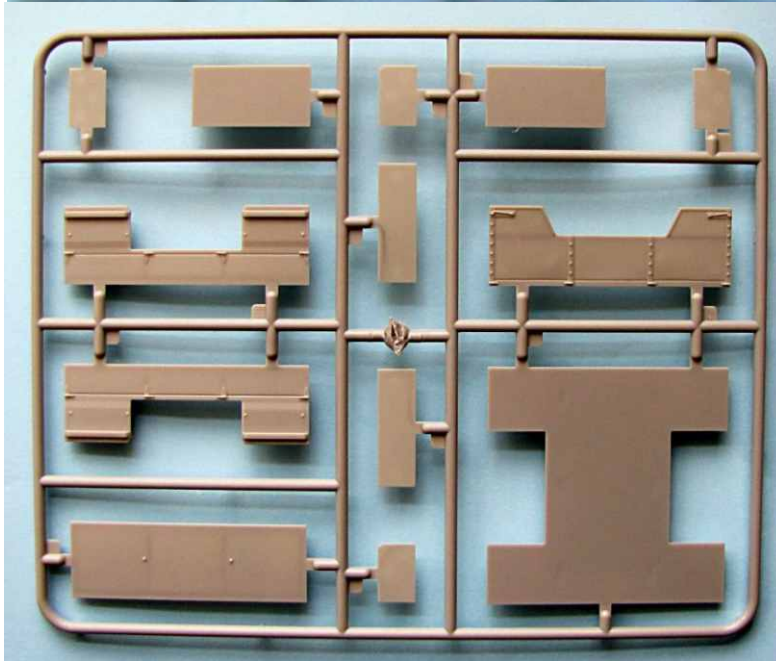
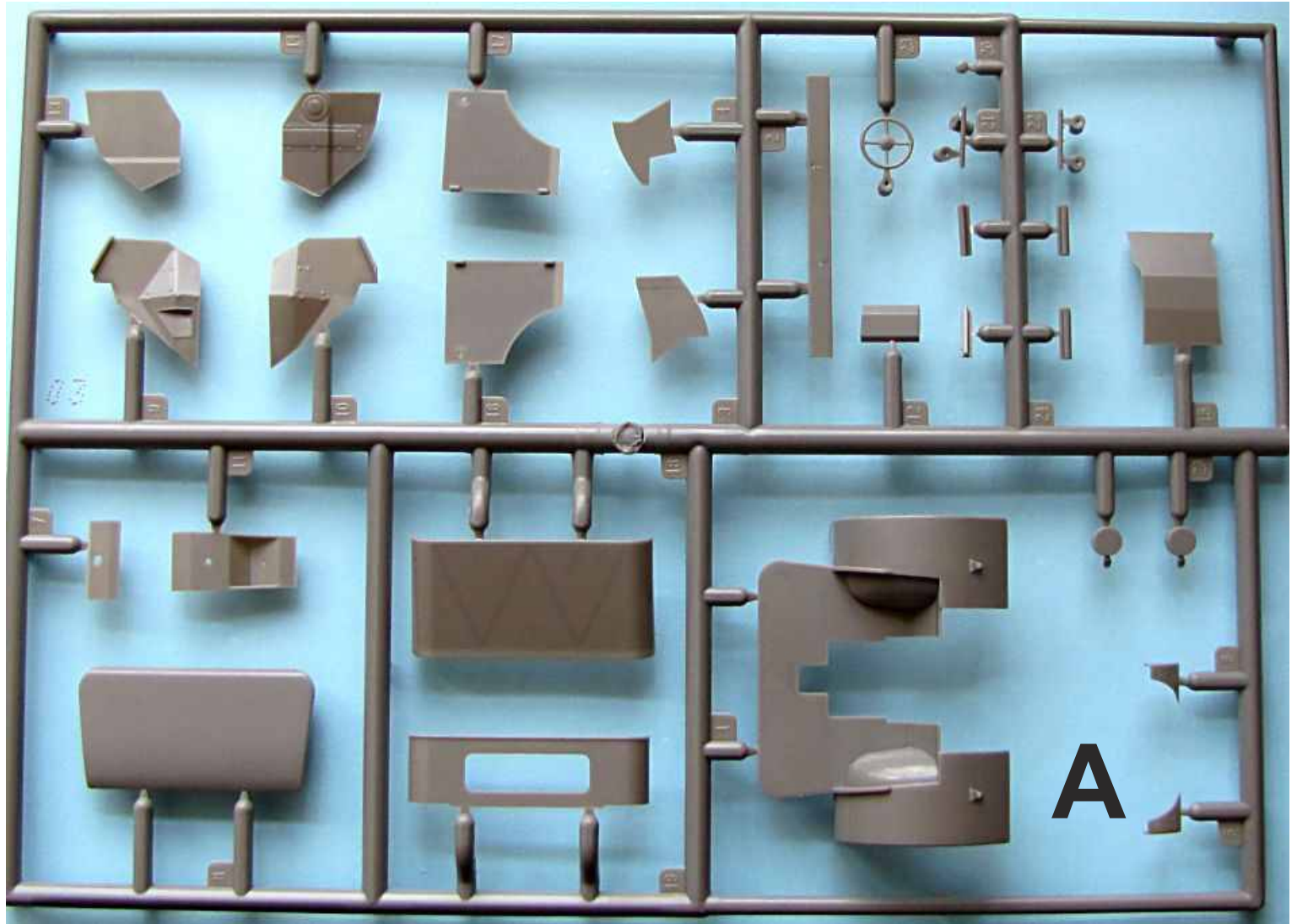
Precision plastic model

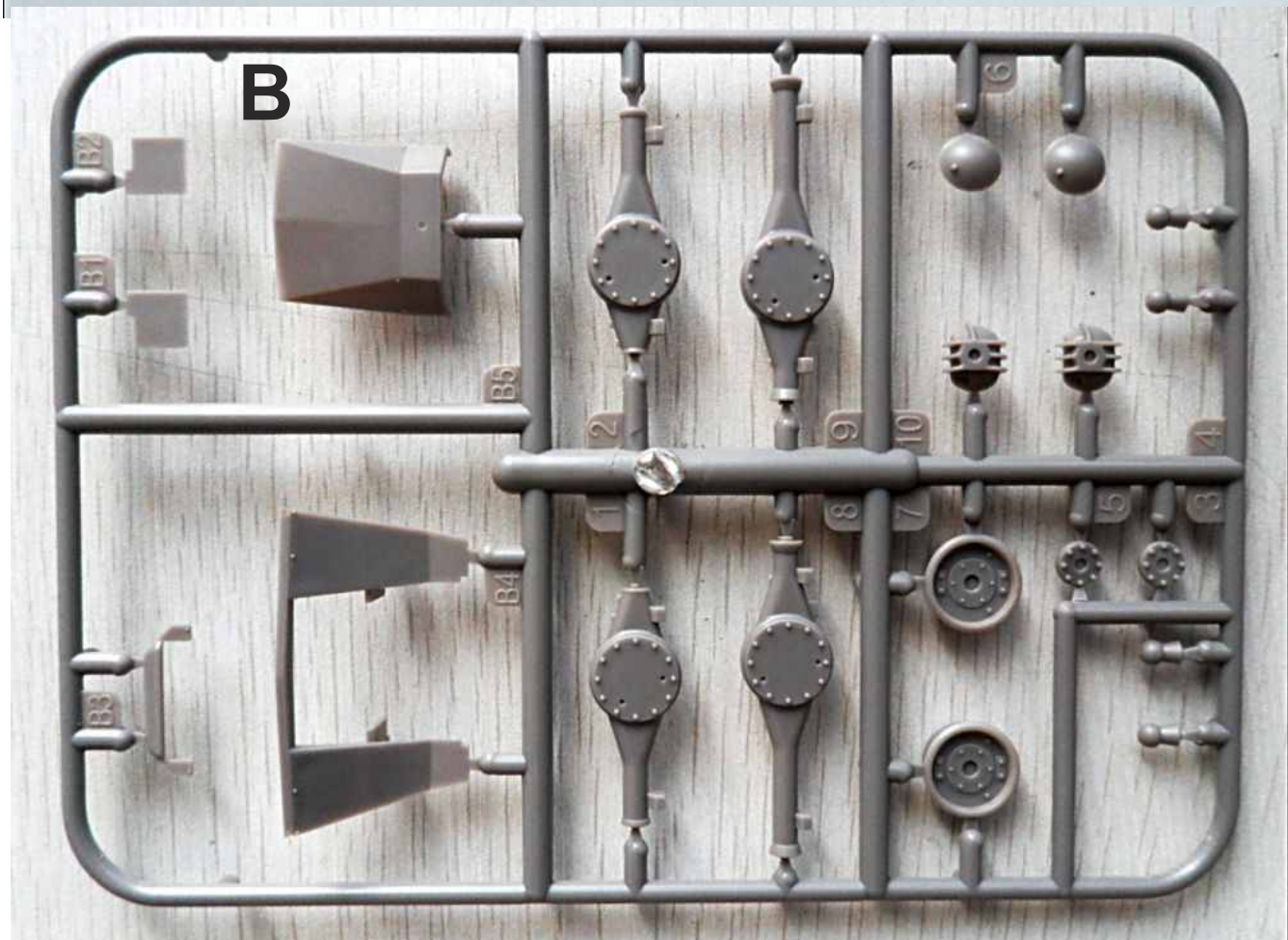
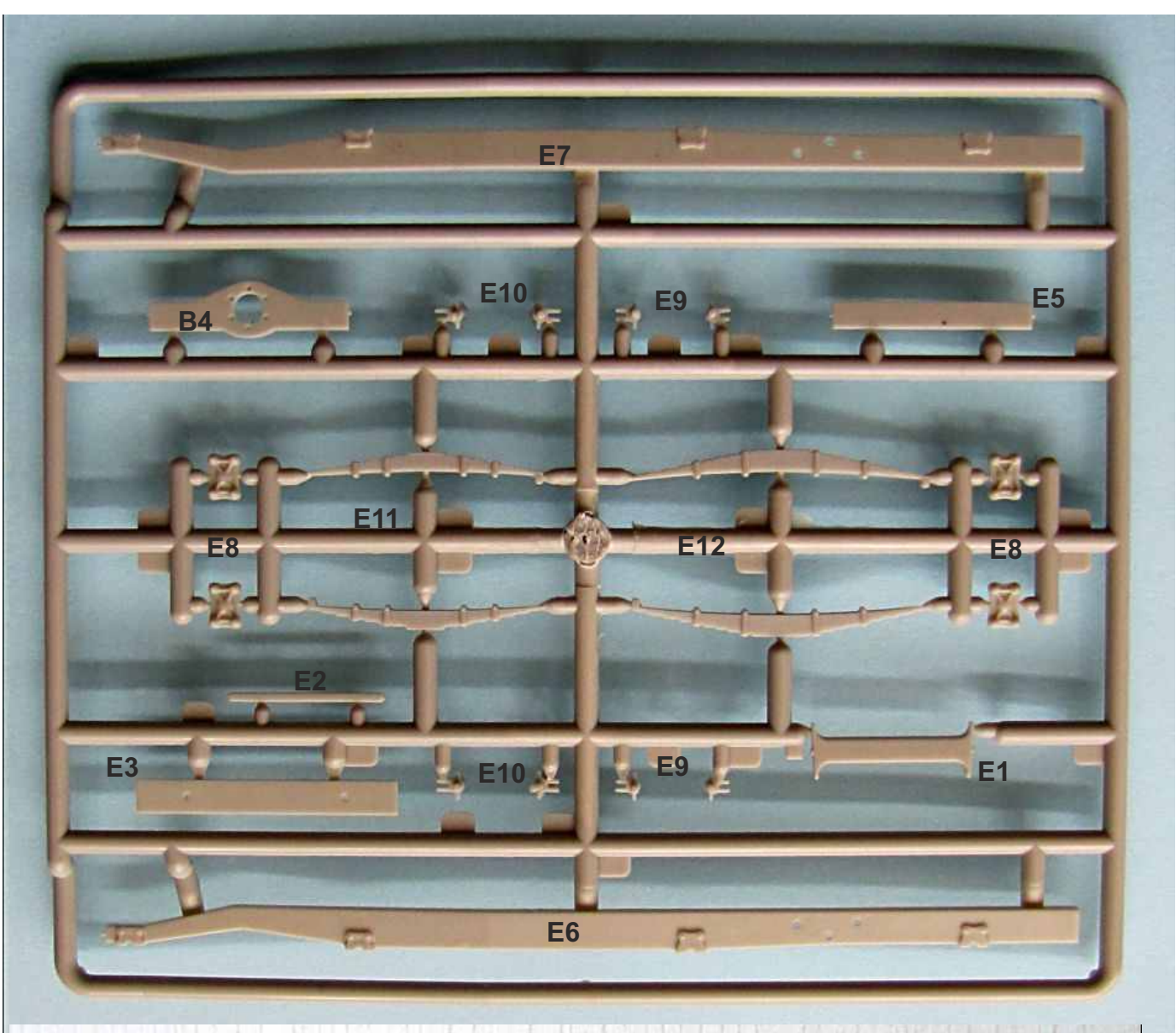


**1/35
Scale**

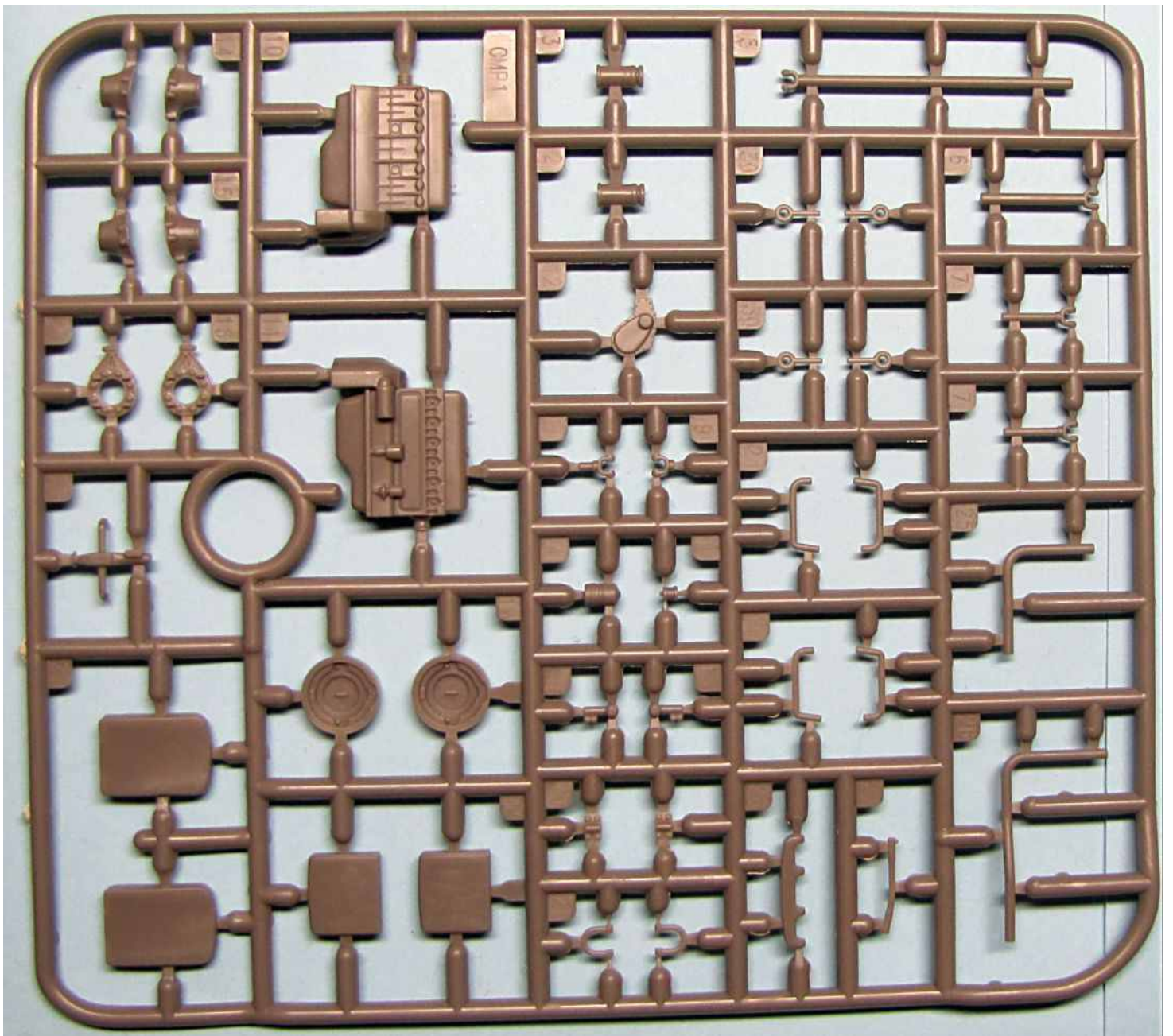
**Kit No.
35101**

The Canadian Military Pattern truck was a class of military truck made in large numbers in Canada during World War II to British Army specifications for use in the armies of the British Commonwealth allies. Standard designs were drawn up just before the beginning of the war. CMP trucks were also sent to the Soviet Union following the Nazi invasion of Russia, as part of Canada's lend-lease program to the Allies. During the War CMP trucks saw service around the world in the North African Campaign, the Allied invasion of Sicily, the Italian Campaign, the Russian Front, the Burma Campaign, the Battle of the Philippines (1941-42), the liberation of Northwest Europe, and the Western Allied invasion of Germany. CMP trucks also saw service in post-war conflicts in Indonesia, French Indochina, and the Portuguese colonies in Africa. Most CMP trucks were manufactured by the Chevrolet division of General Motors of Canada Ltd and by the Ford Motor Company of Canada. Just over 400,000 CMP trucks were manufactured in Canada, accounting for roughly half of the 815,729 military vehicles made in Canada during World War II. Chevrolet-built CMP trucks had a 215 cu in (3.5 L), 85 bhp (63.4 kW) straight-6 overhead-valve engine. Cab design changed twice, first designed at Ford, second and third cab designs - called No. 11, 12 and 13. First two type were similar, the main difference being a two-part radiator grille in No.12 cab, its upper part was opened with a bonnet, which was known as the "Alligator cab". The production of CMP truck bodies in Canada was subcontracted out to smaller companies in Ontario and Manitoba, organized into the wartime Steel Body Manufacturers Association by the Department of Munitions and Supply. The wide variety of truck body designs included general service, water tanker, fuel tanker, vehicle recovery, dental clinic, mobile laundry, wireless house, machinery, folding boat transport, and anti-tank gun portee





F

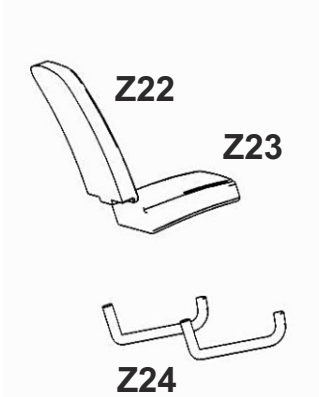
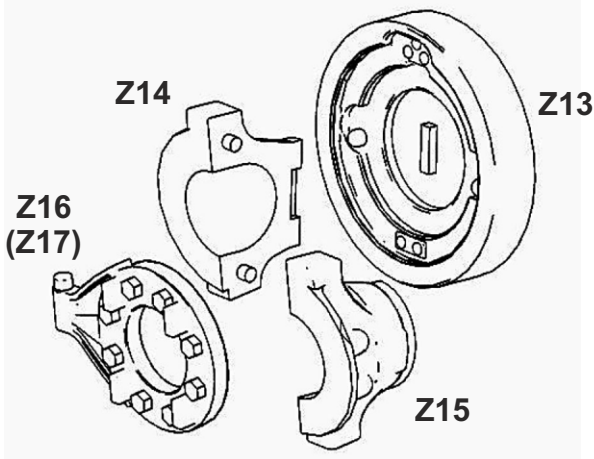
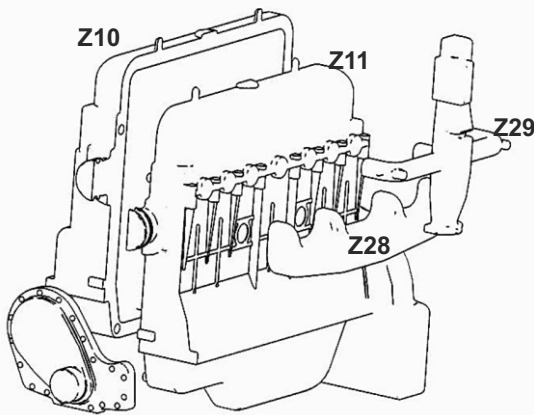


Z

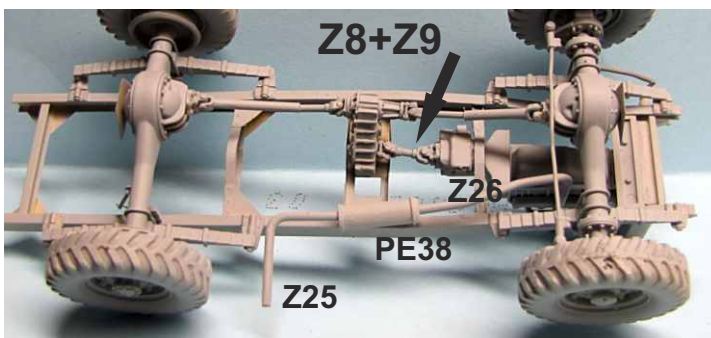
Additional plastic sprue to replace most of resin parts

Assembly CMP parts

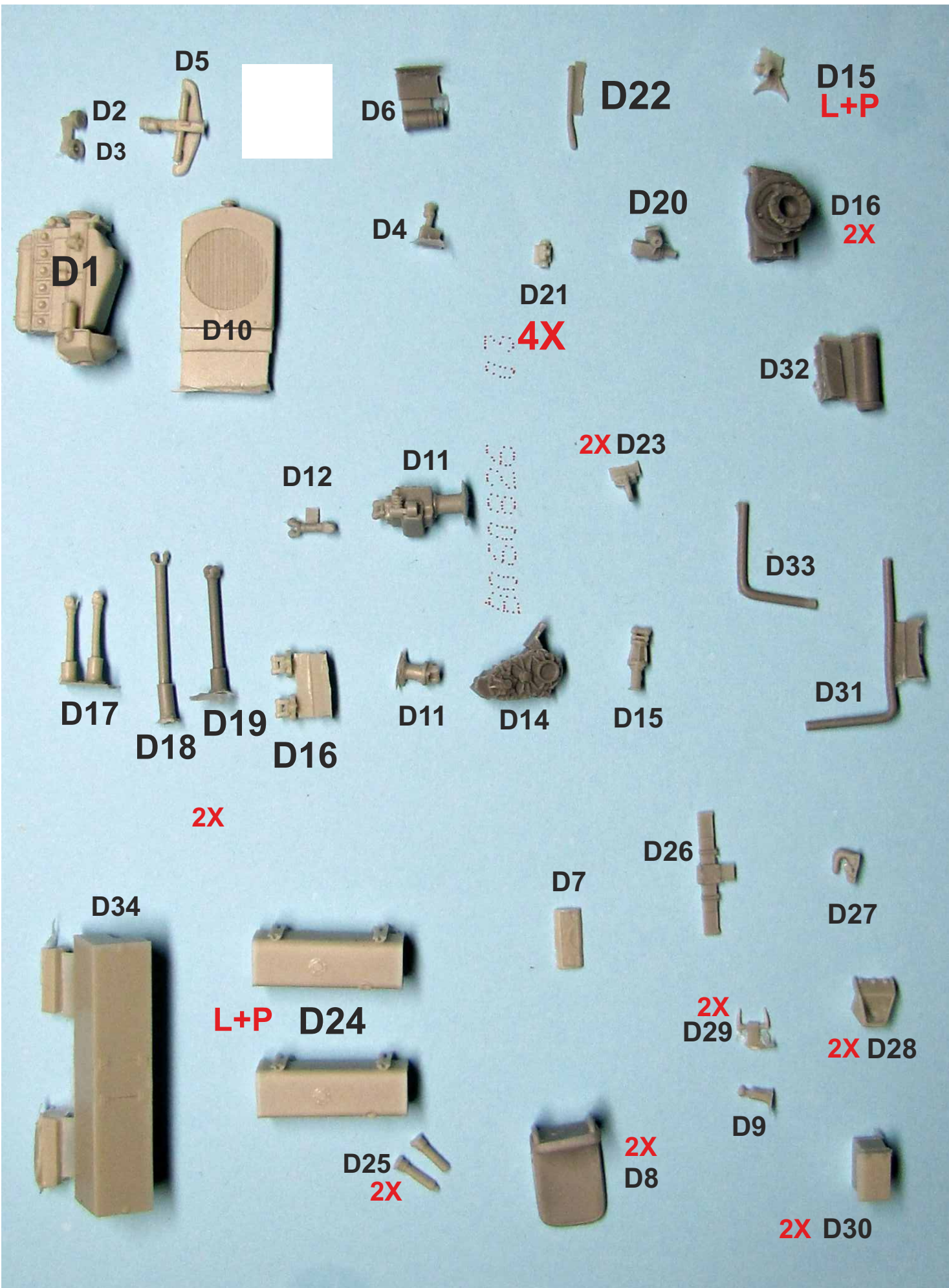
assembly instructions to build up plastic parts provided newly in this kit instead of resin parts supplied earlier



Cut D17, D18 and D19 to length needed

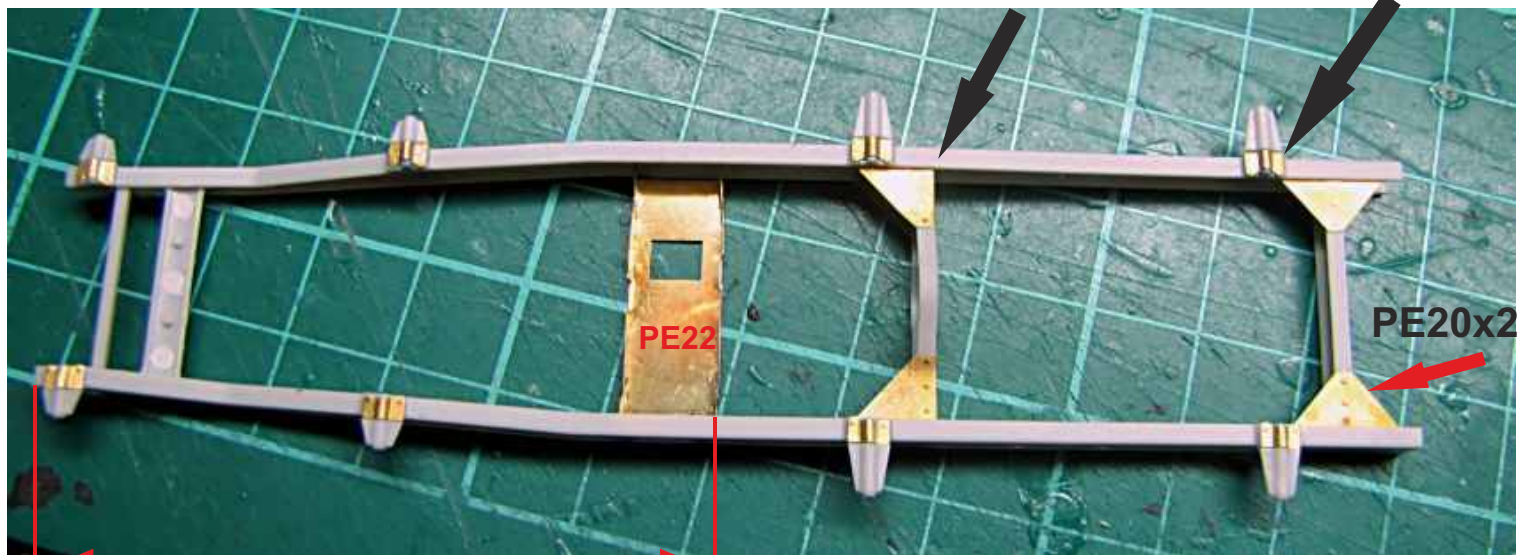
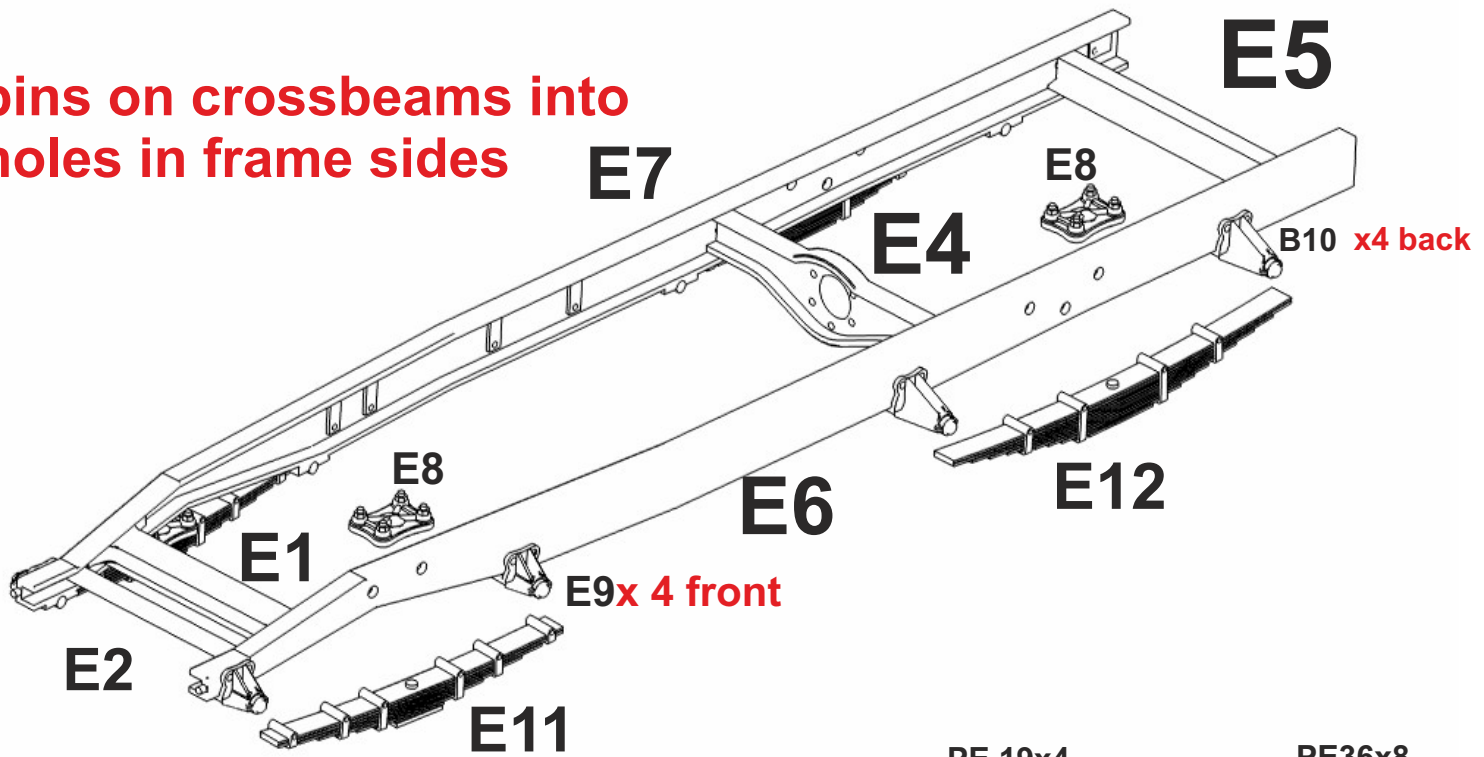


Additionally there are many simple single parts included to replace the same in resin these are easy to locate



C15A Chevy assembly

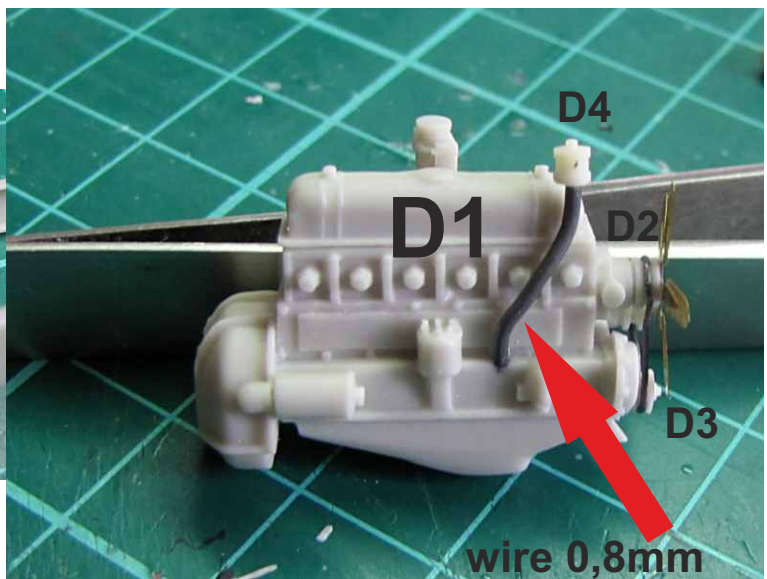
pins on crossbeams into holes in frame sides

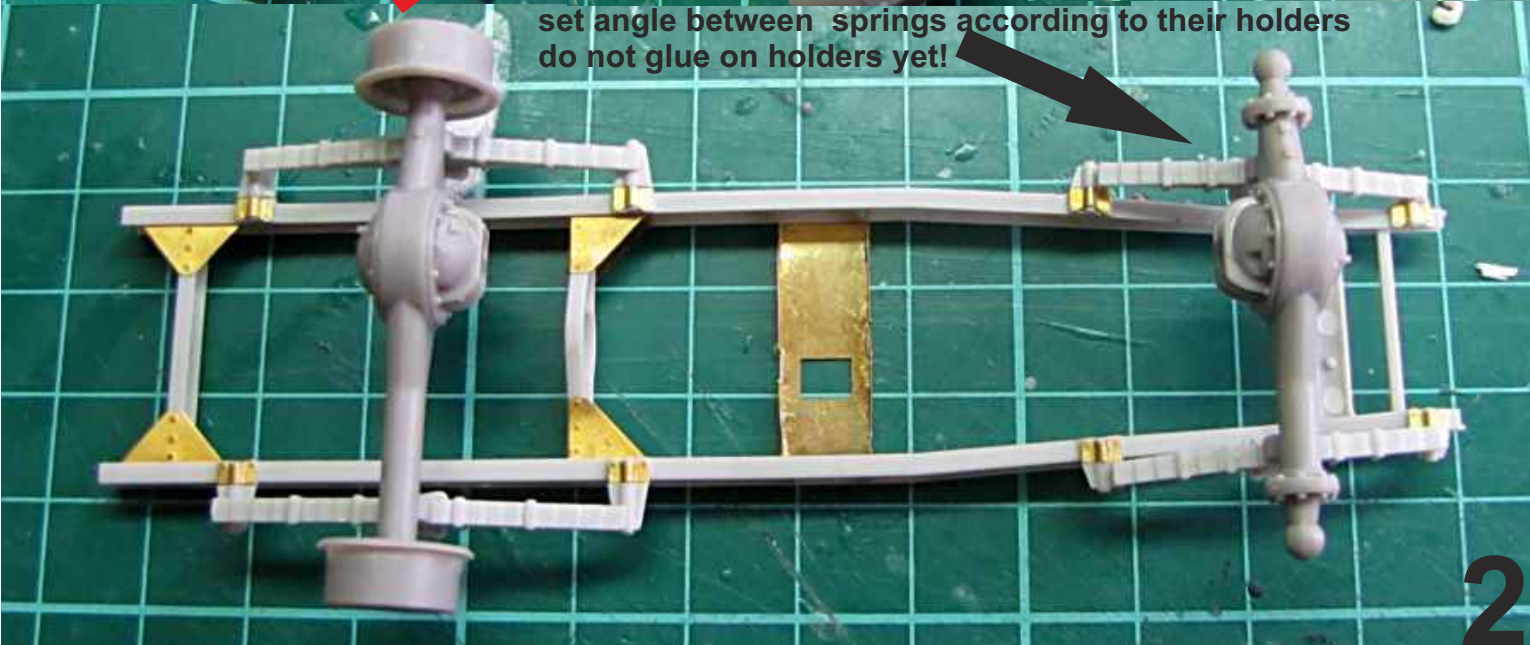
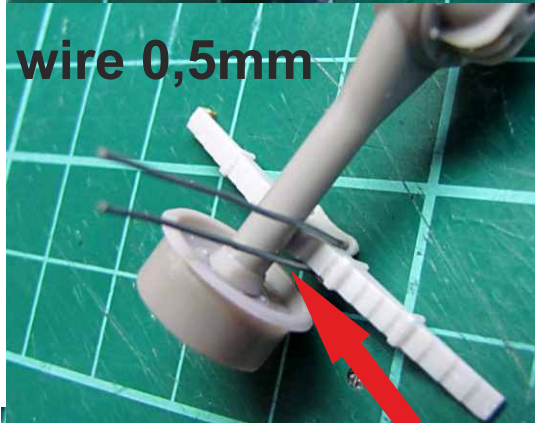
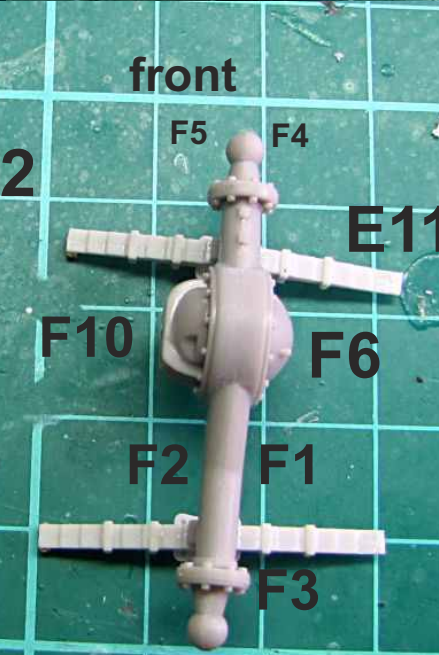
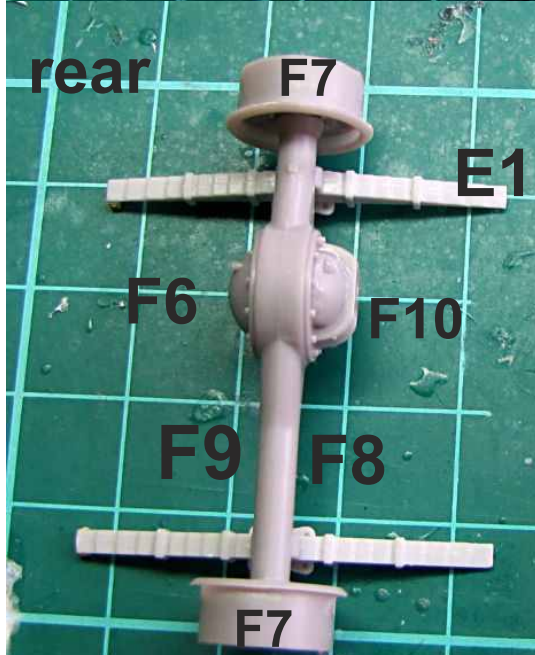
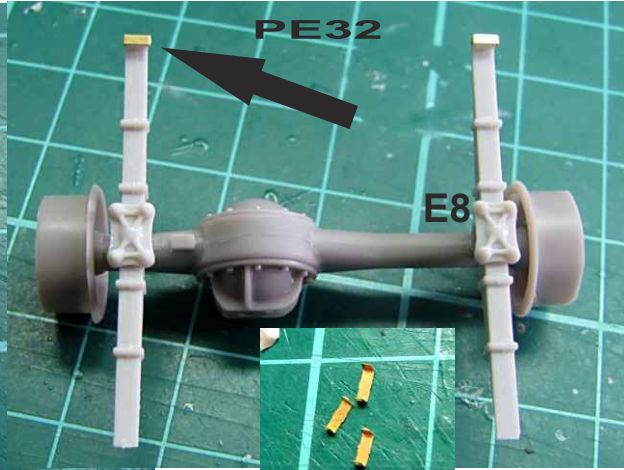


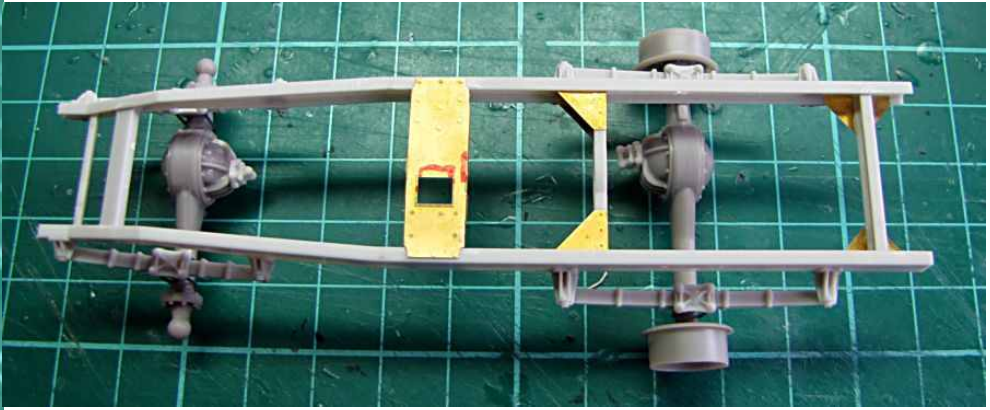
58,8mm



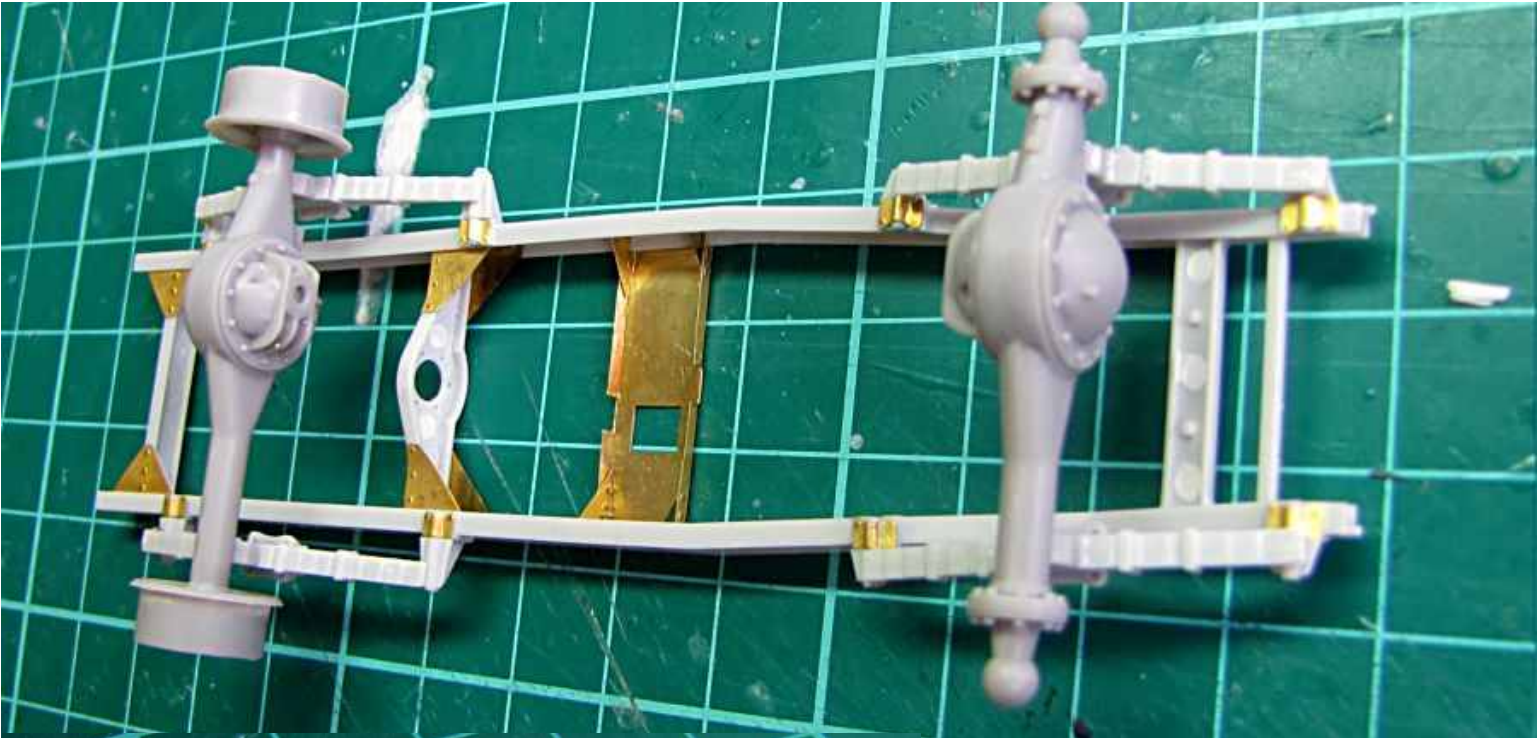
PE 23x4

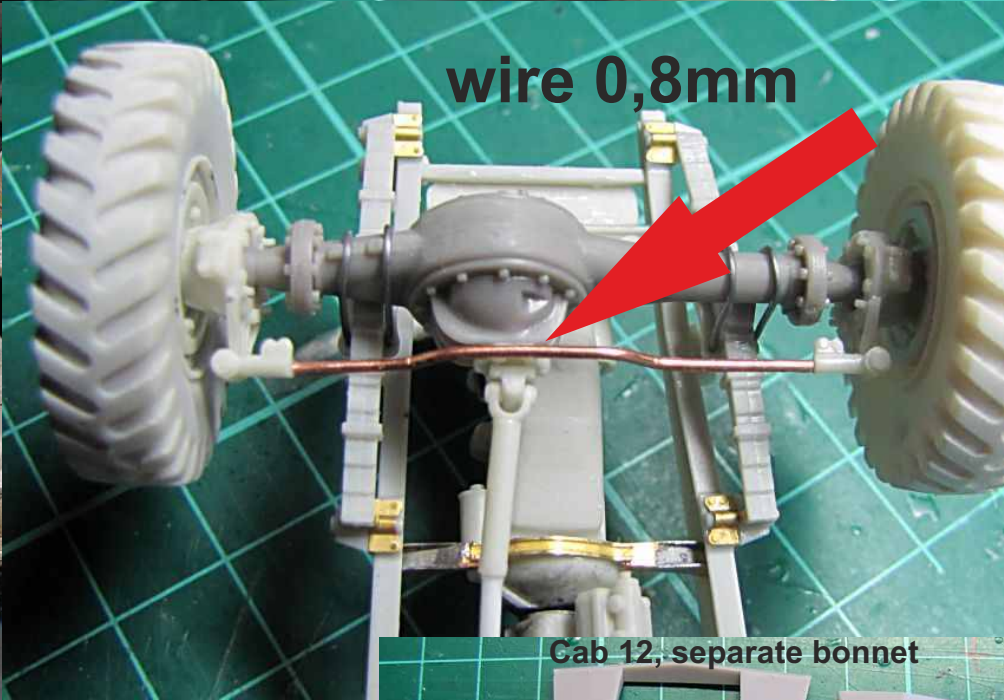
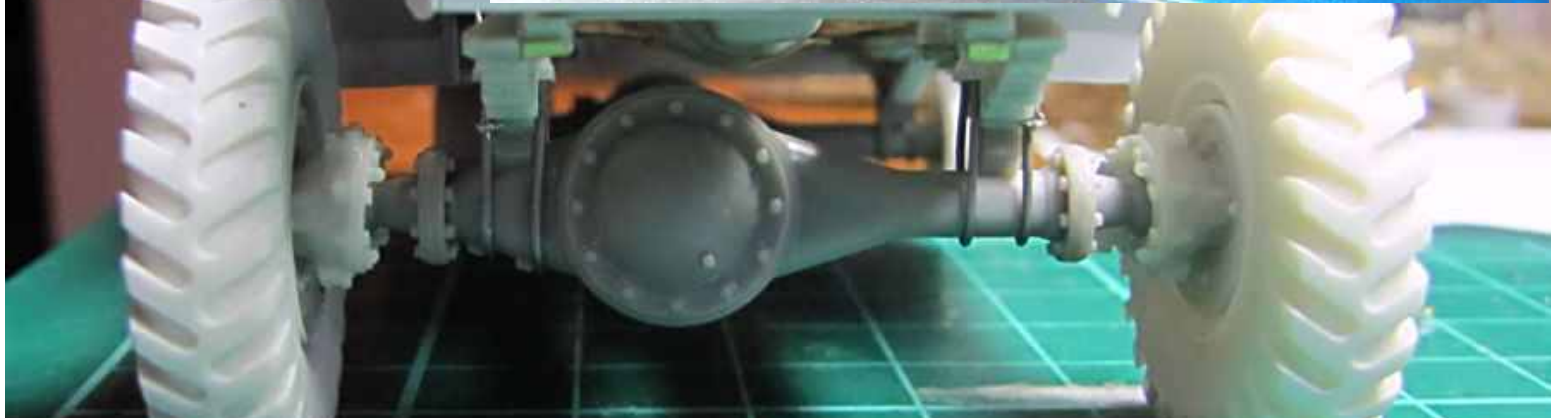






glue axles in position





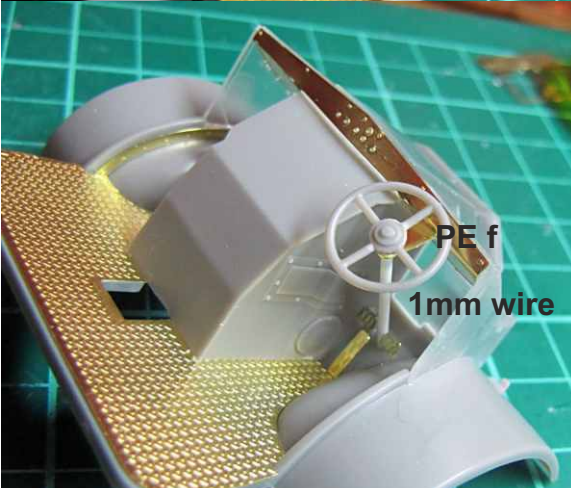
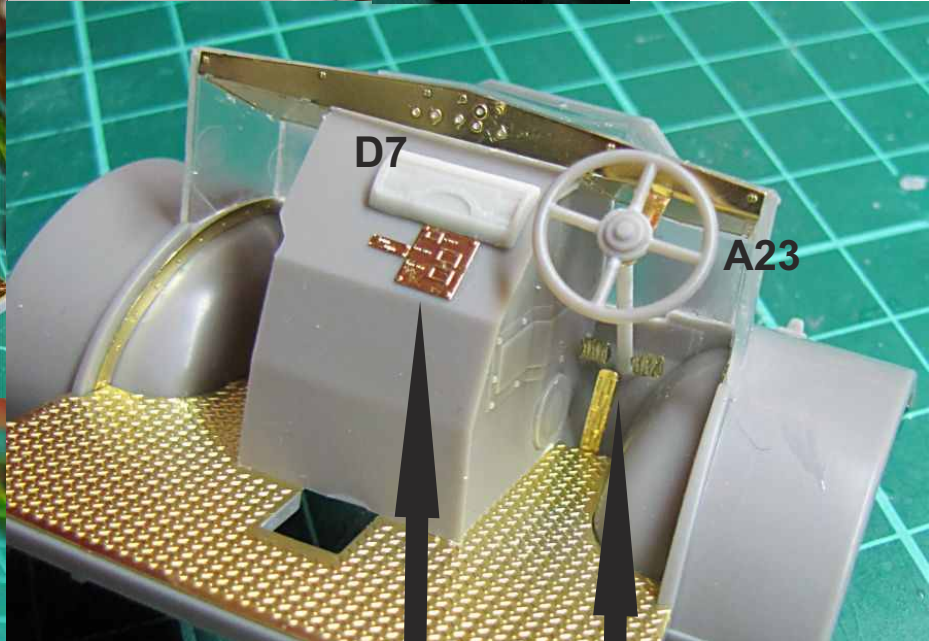
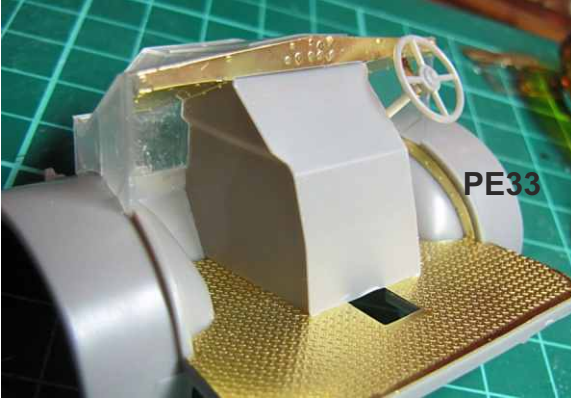
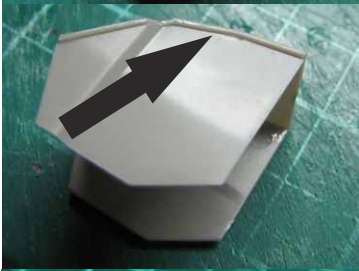
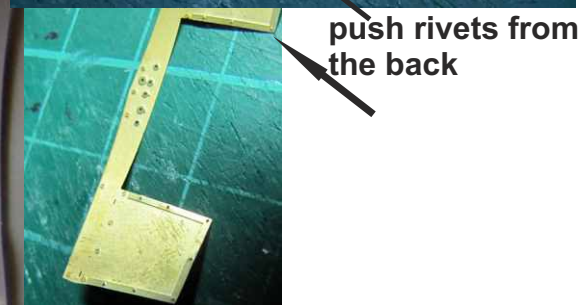
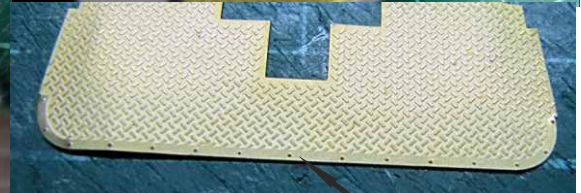
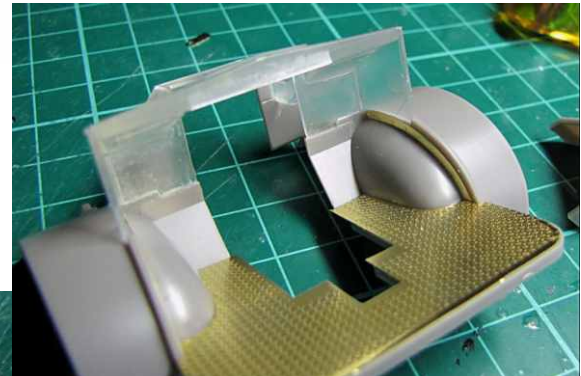
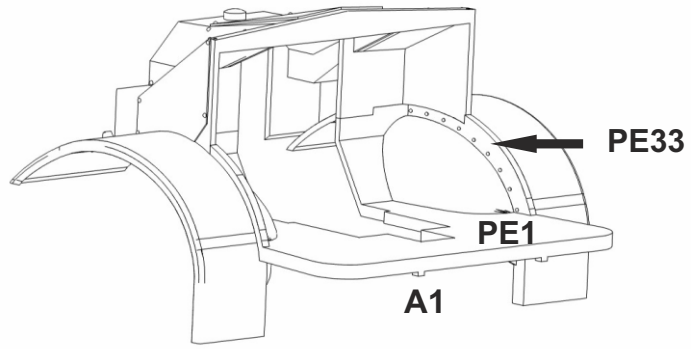
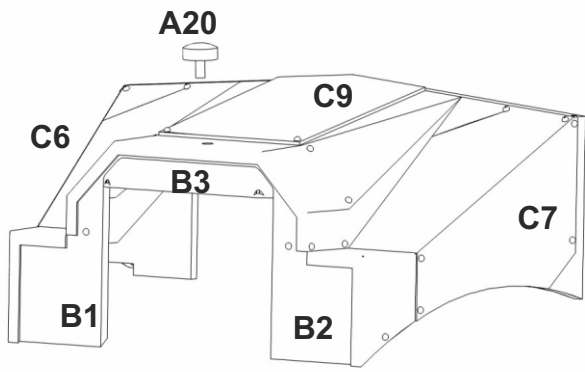
PE cover, you can either drill holes and assemble hoses from inside or cover circles with fine mesh (not included)



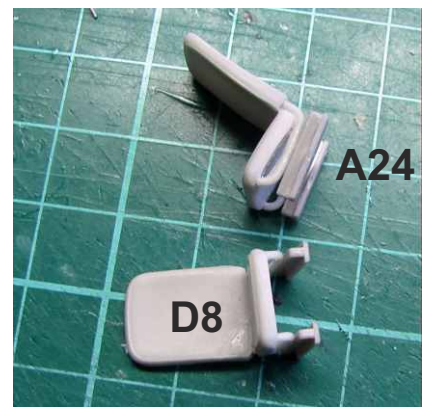
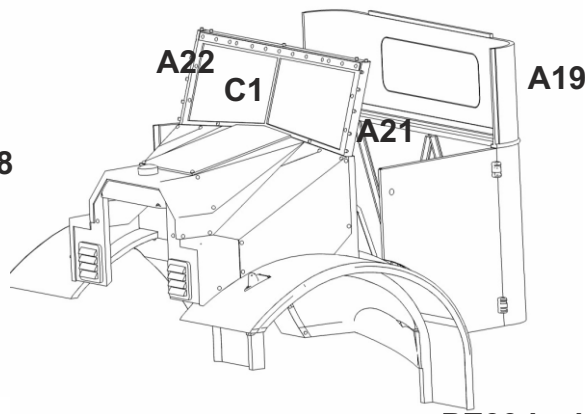
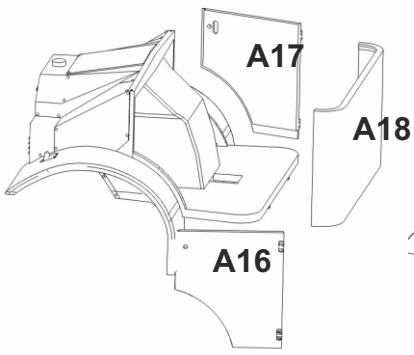
glue together

glue together

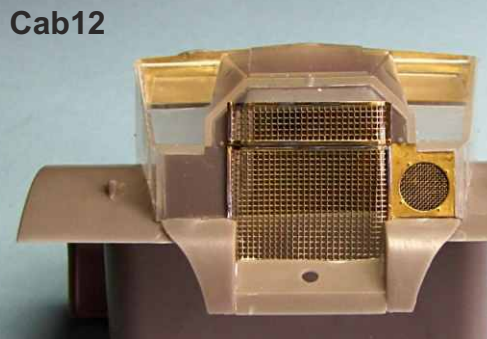
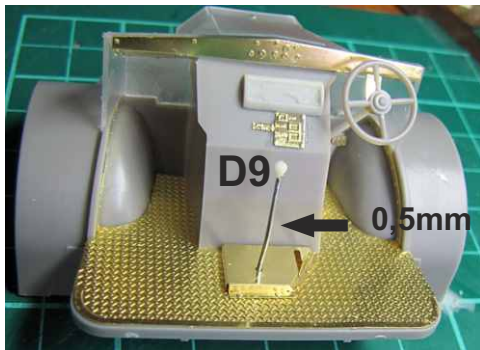
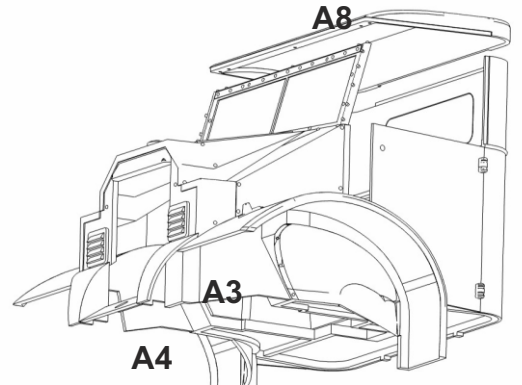
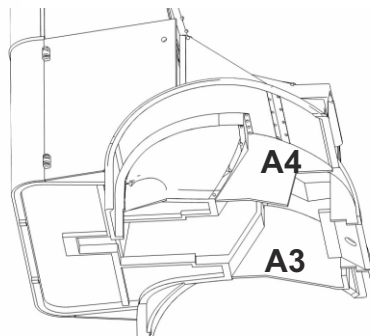
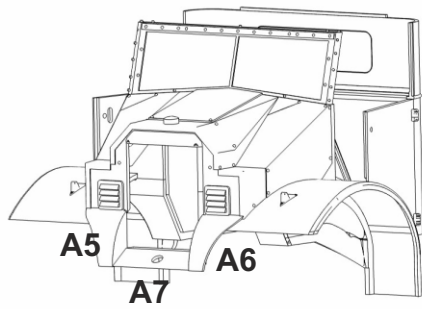
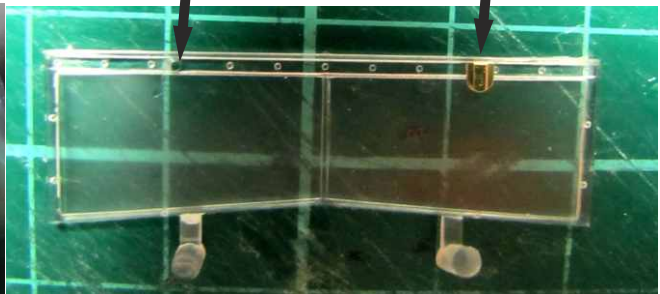
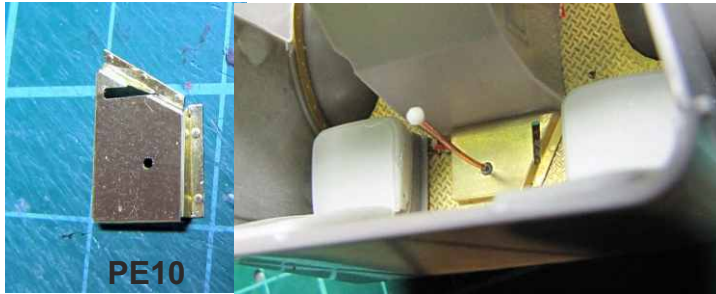
Use parts B4 and B5 instead of C9 kit contains PE mesh for Cab11 only, split PE mesh for Cab 12 offered at www.Lzmodels.com



PE29+30

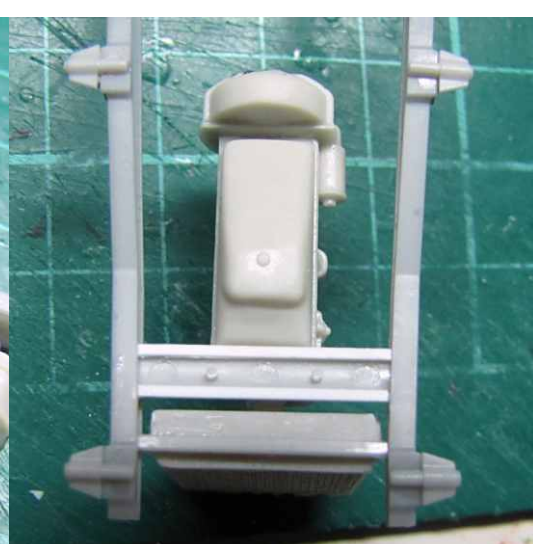
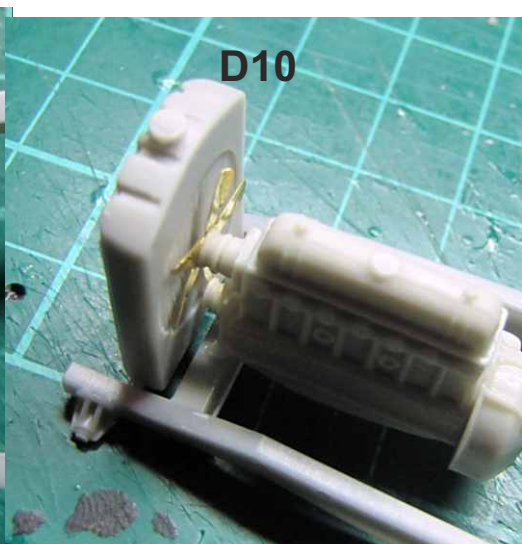
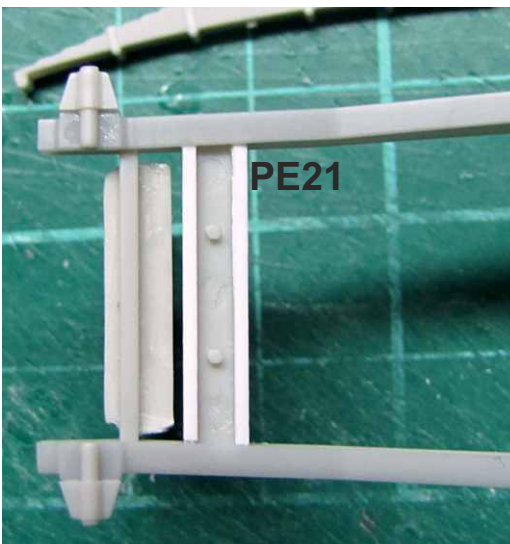


PE39 inside on windshield

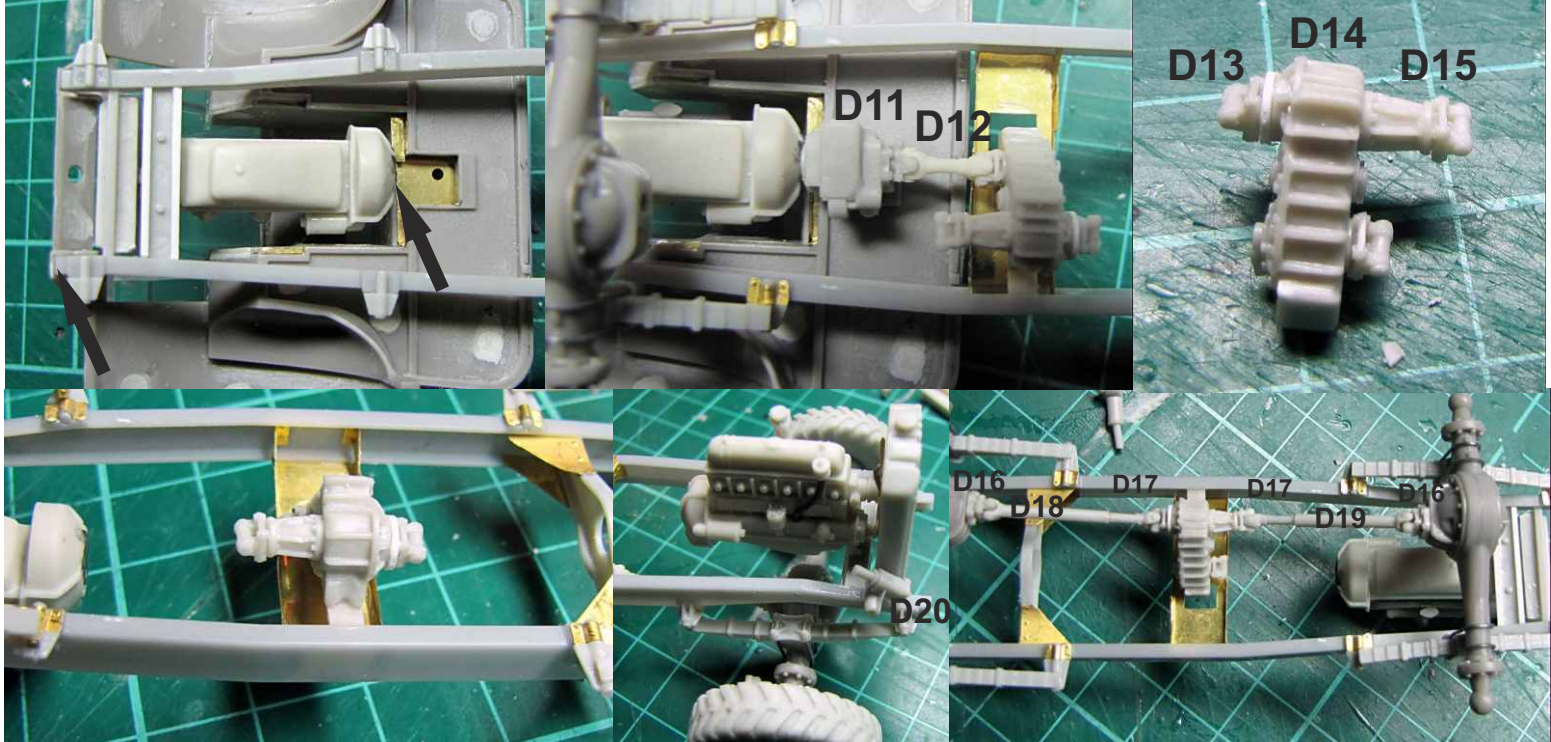


split mesh and frame available at www.Lzmodels.com

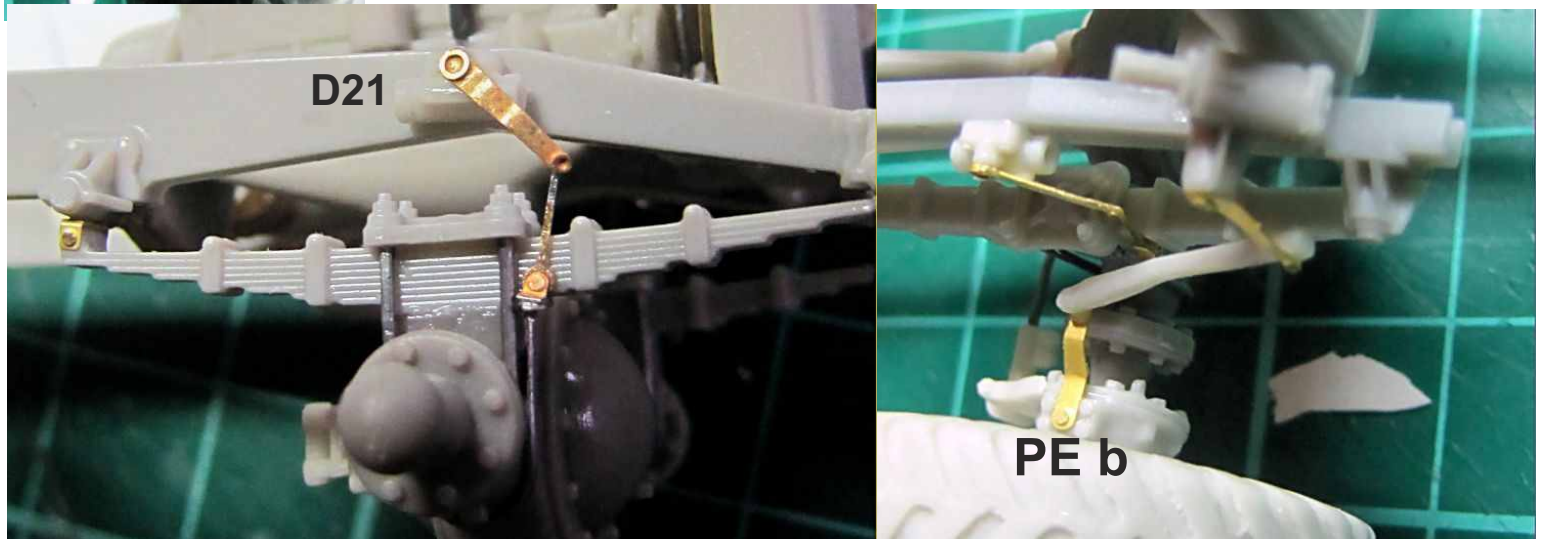
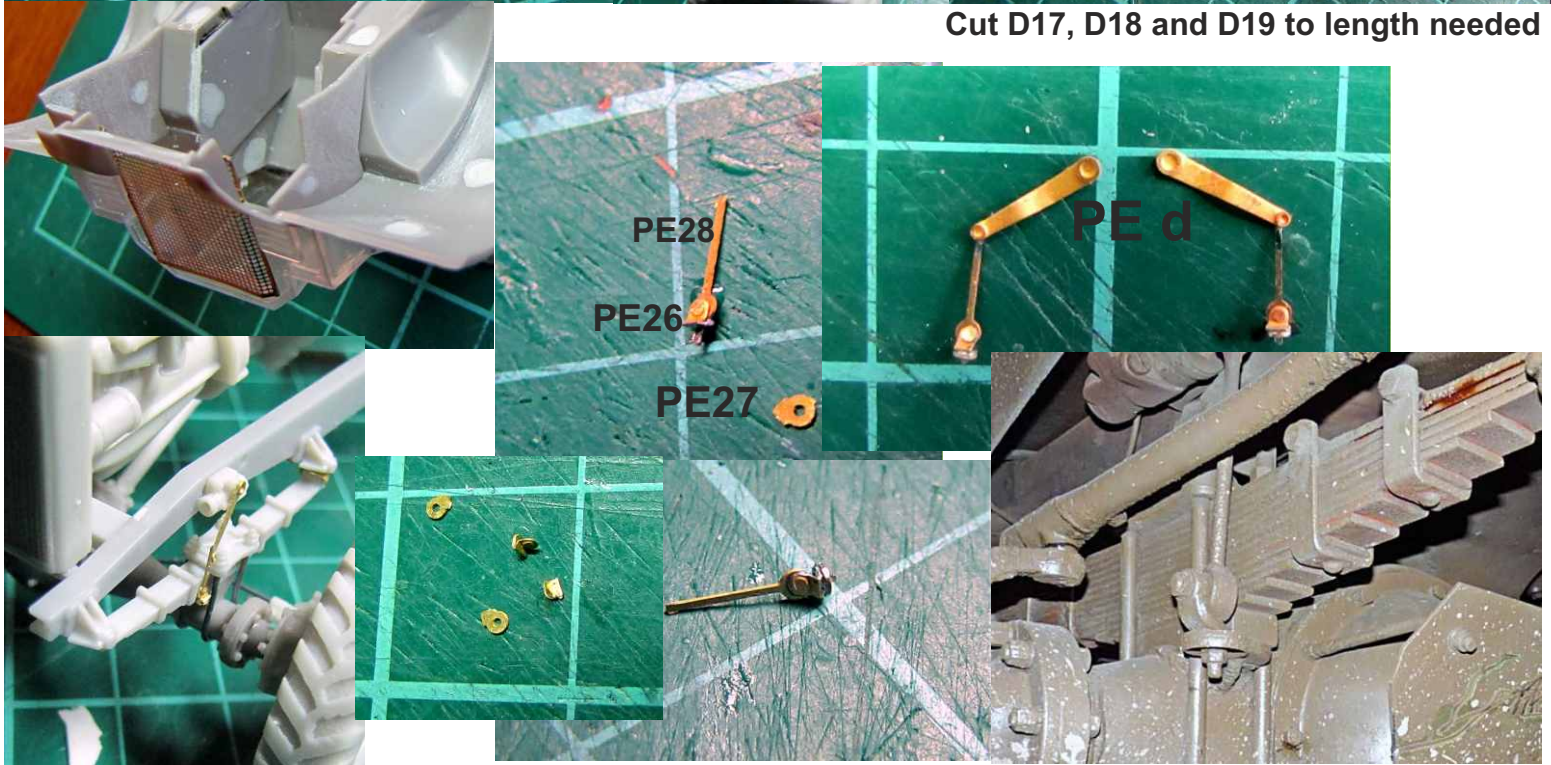
one-piece mesh and frame included in the kit

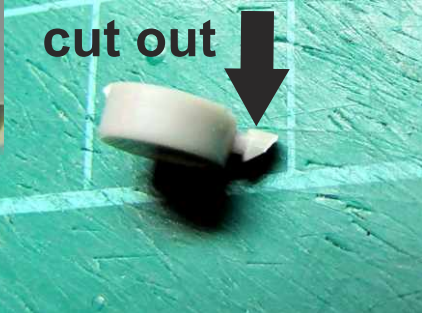
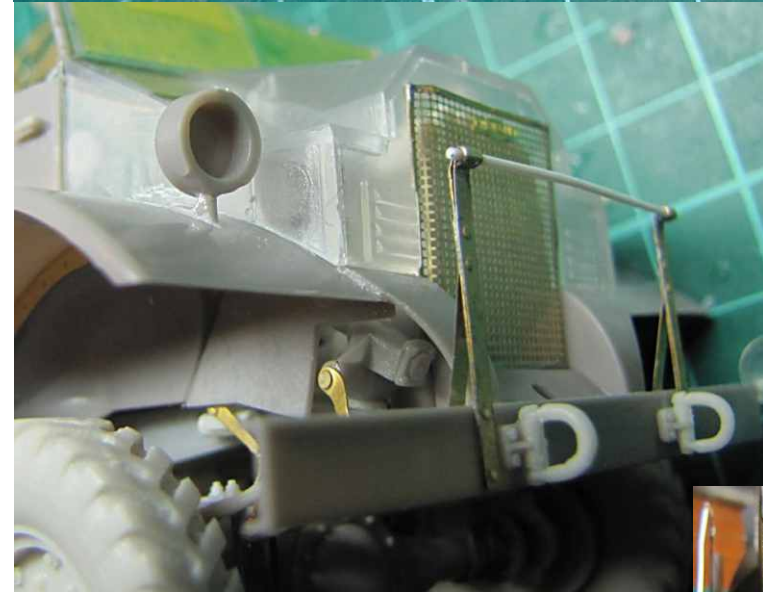
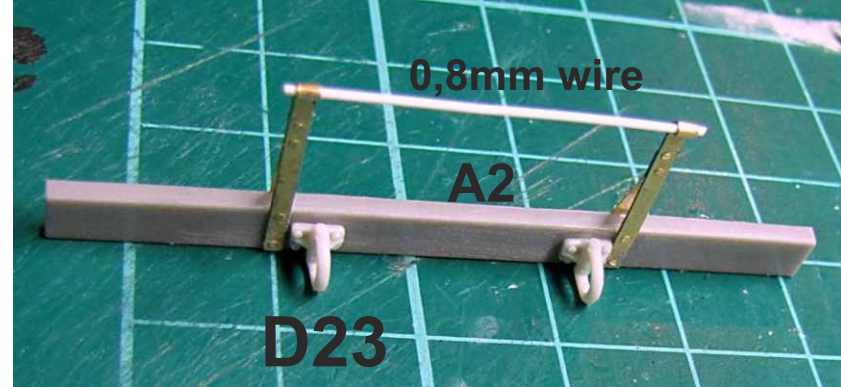
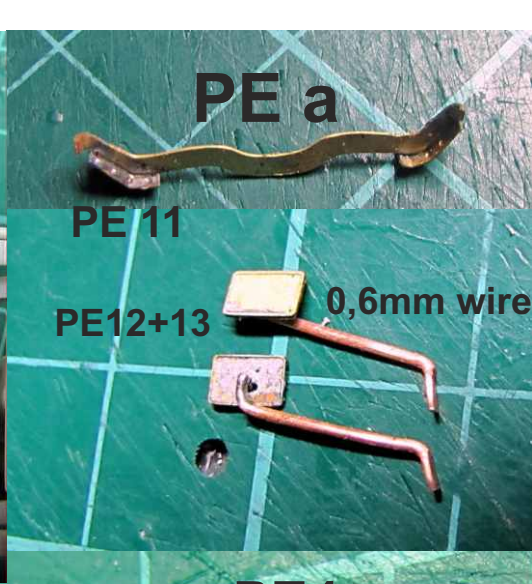
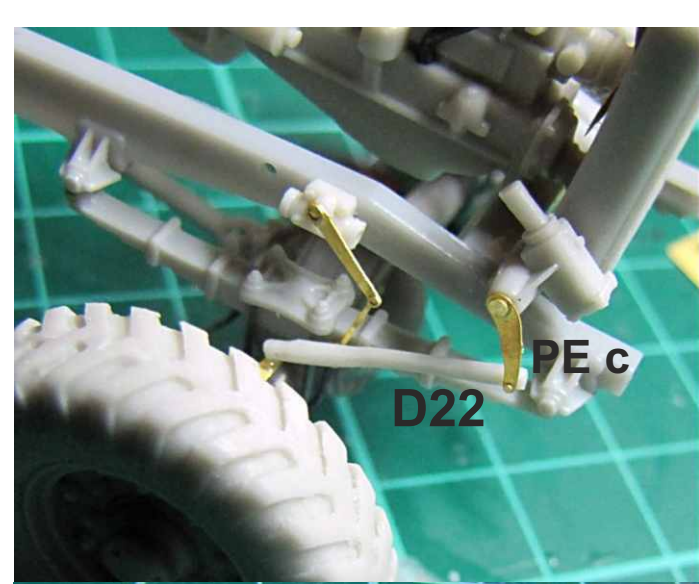


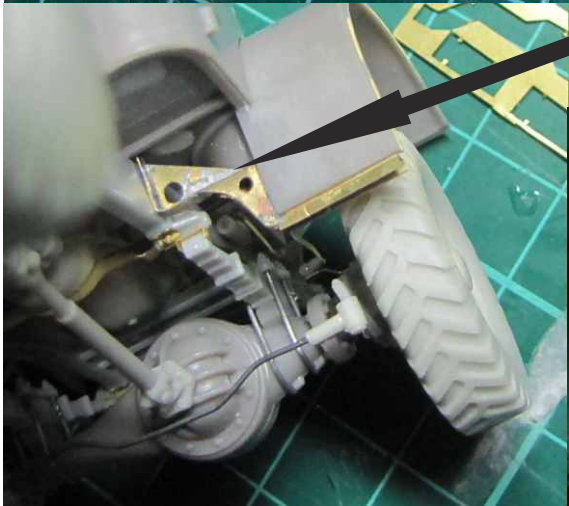
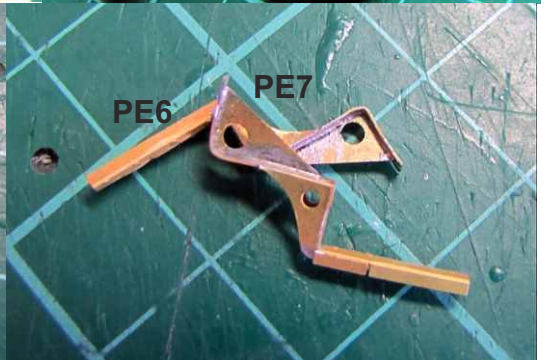
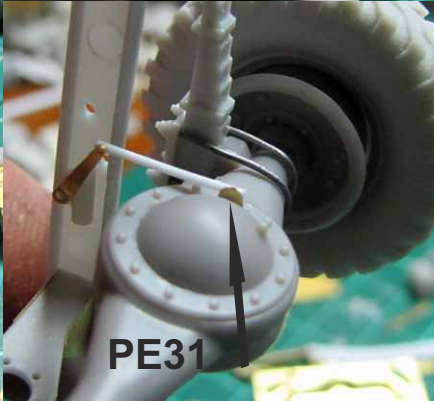
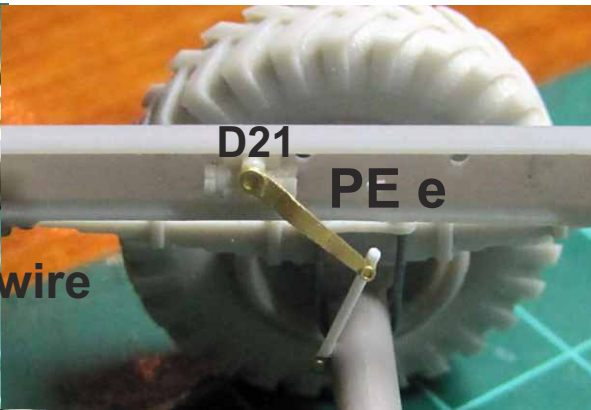
Dry-fit the engine and check right position with cab according to following images, then glue on E1



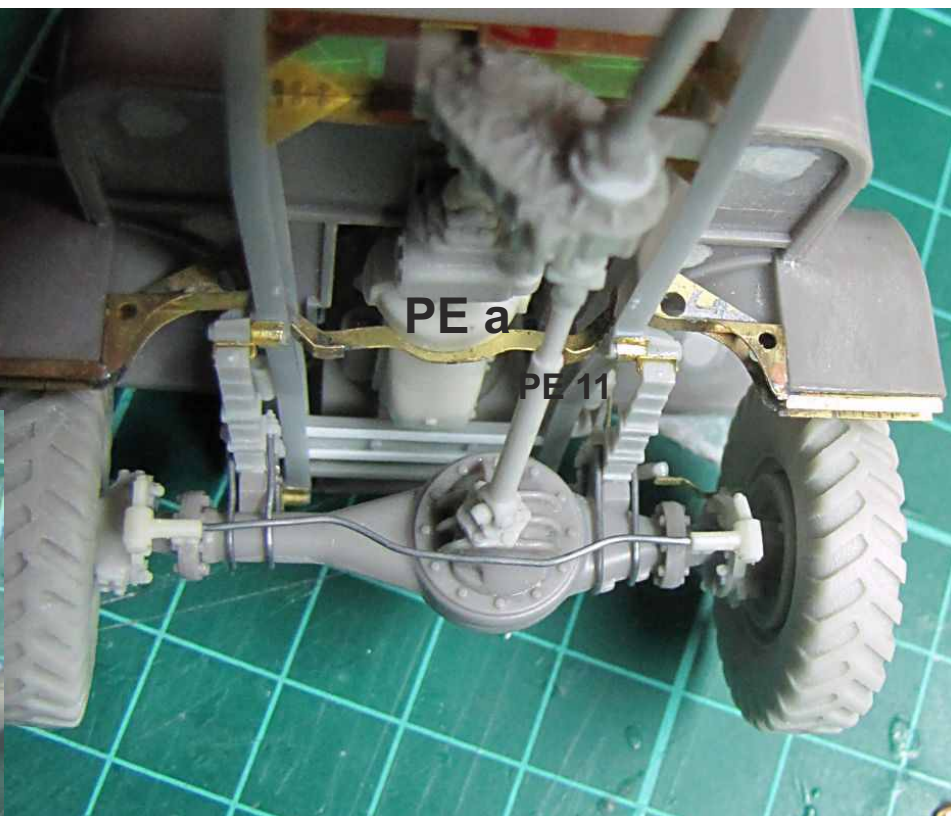
Cut D17, D18 and D19 to length needed

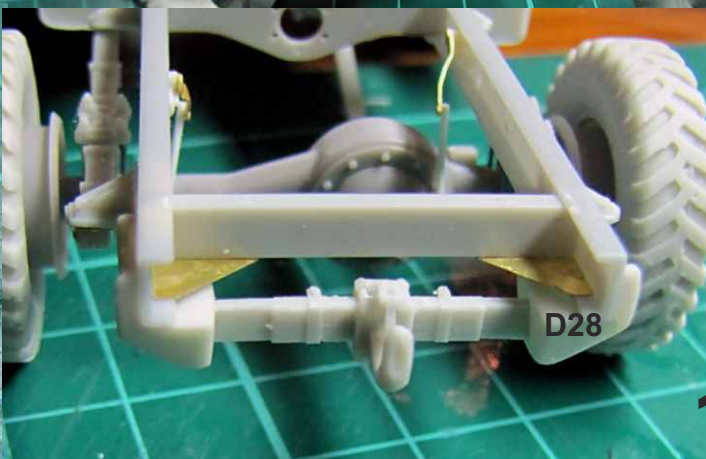
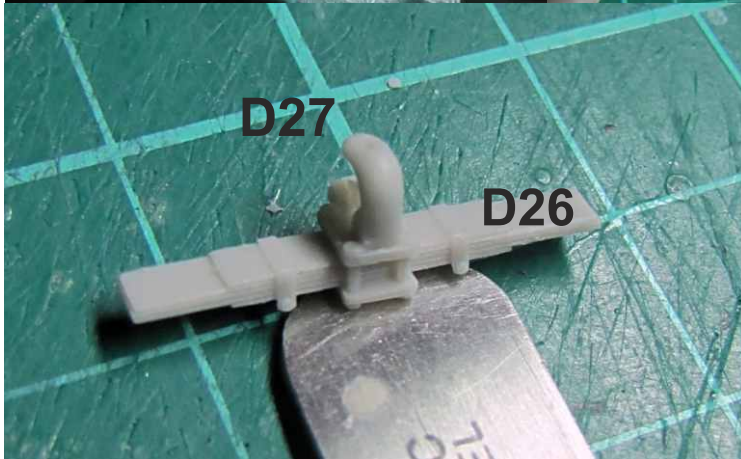
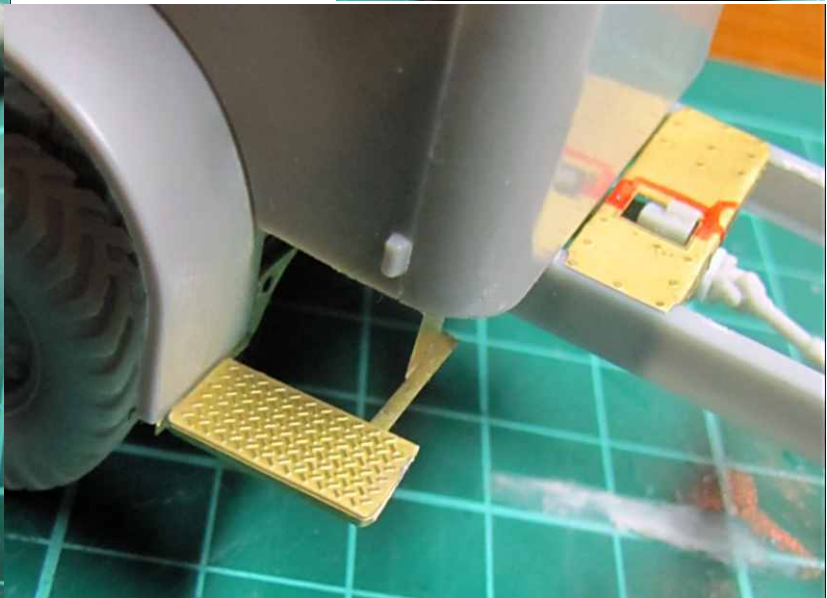
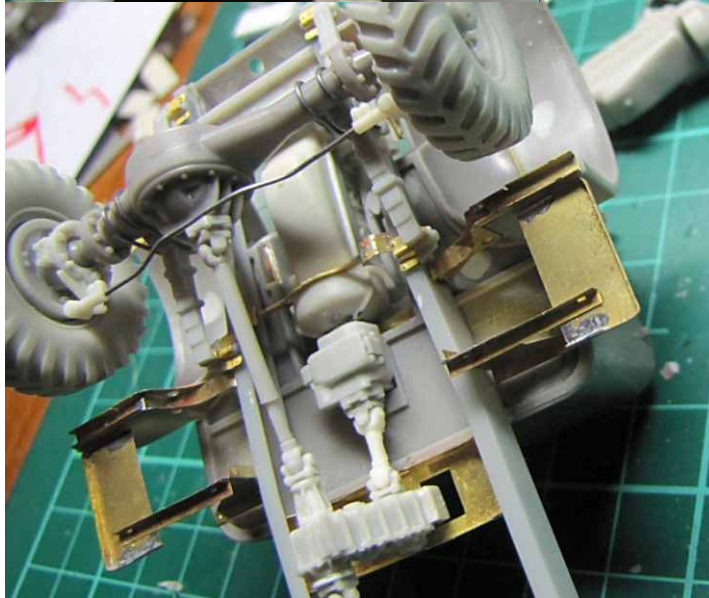
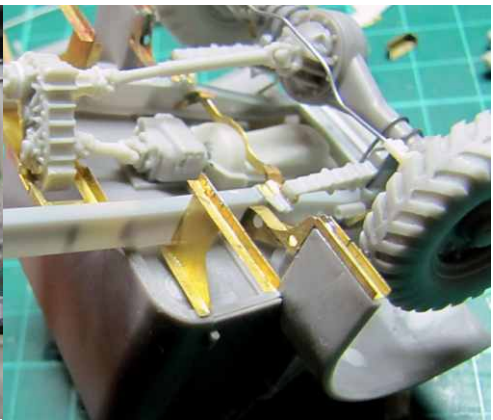
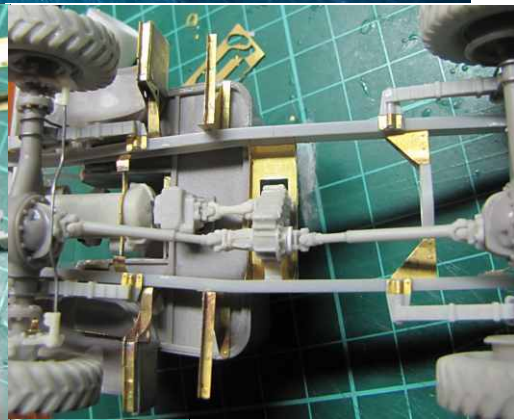
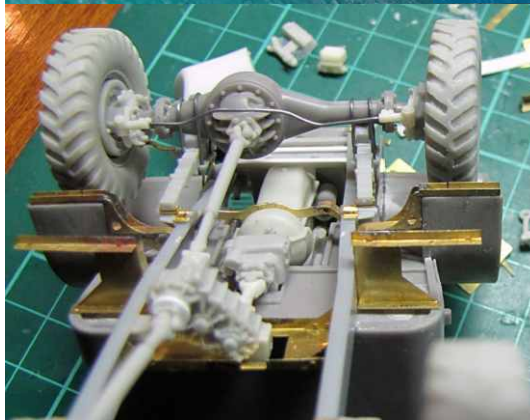
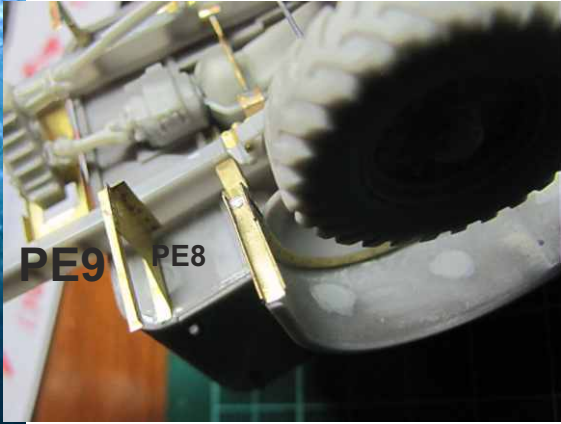
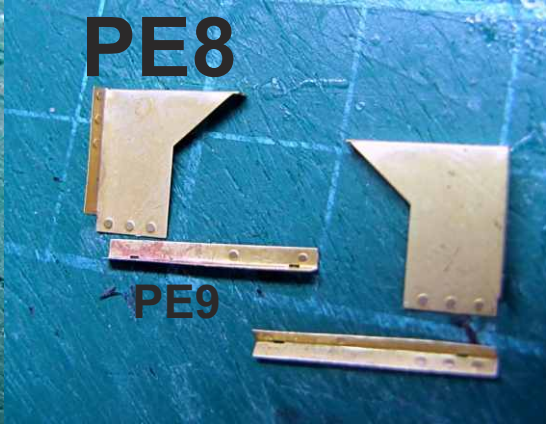
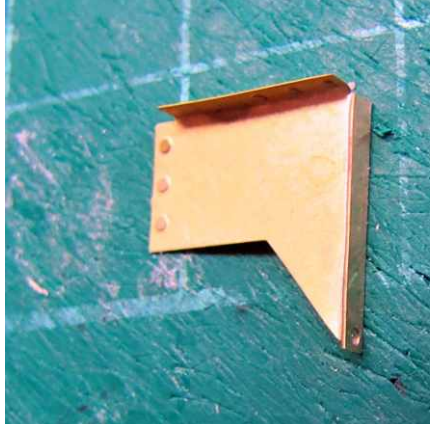




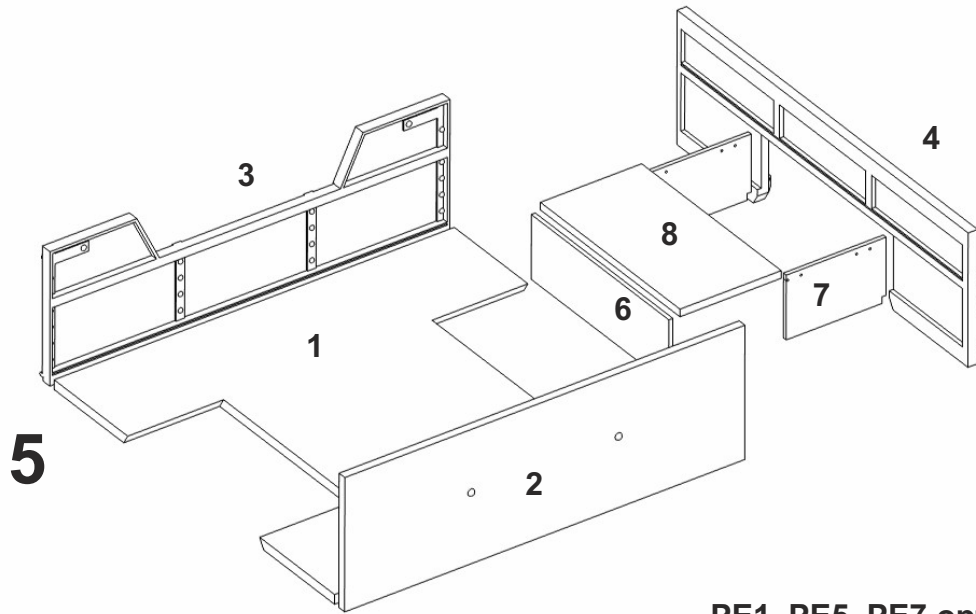


Before adding PE7 on PE6 check it fits well between frame beam and mudguard

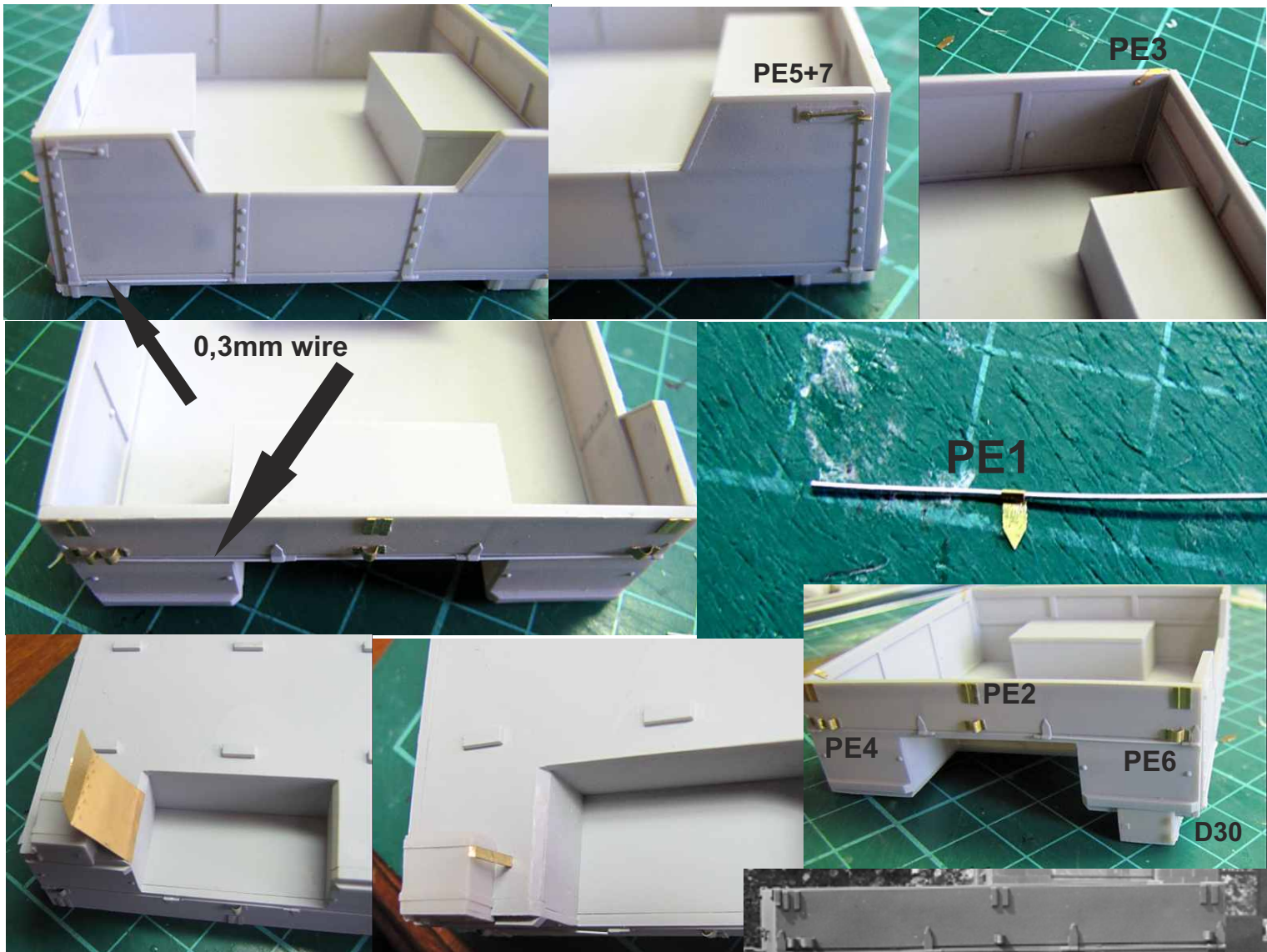




2B1 Body

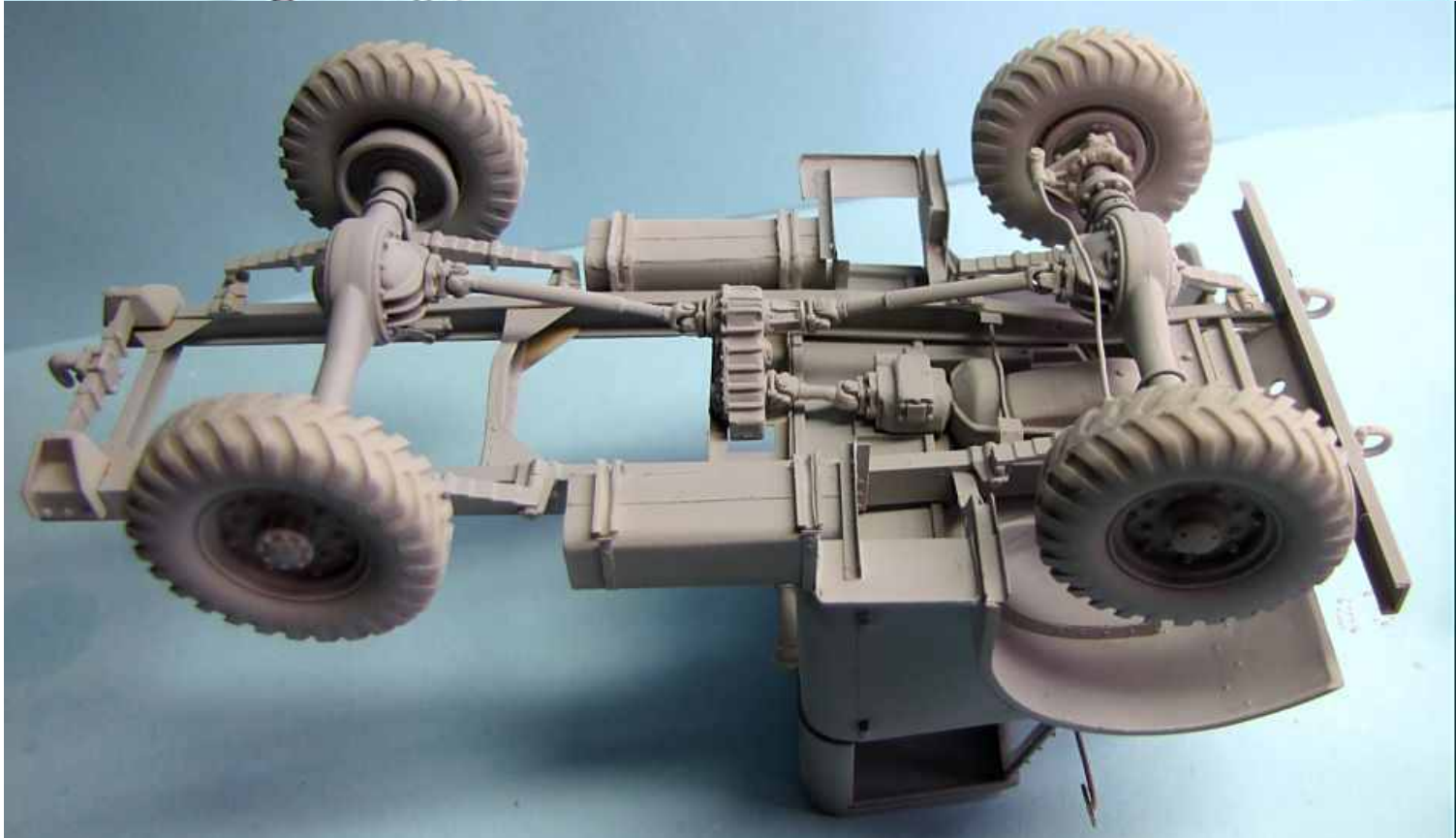
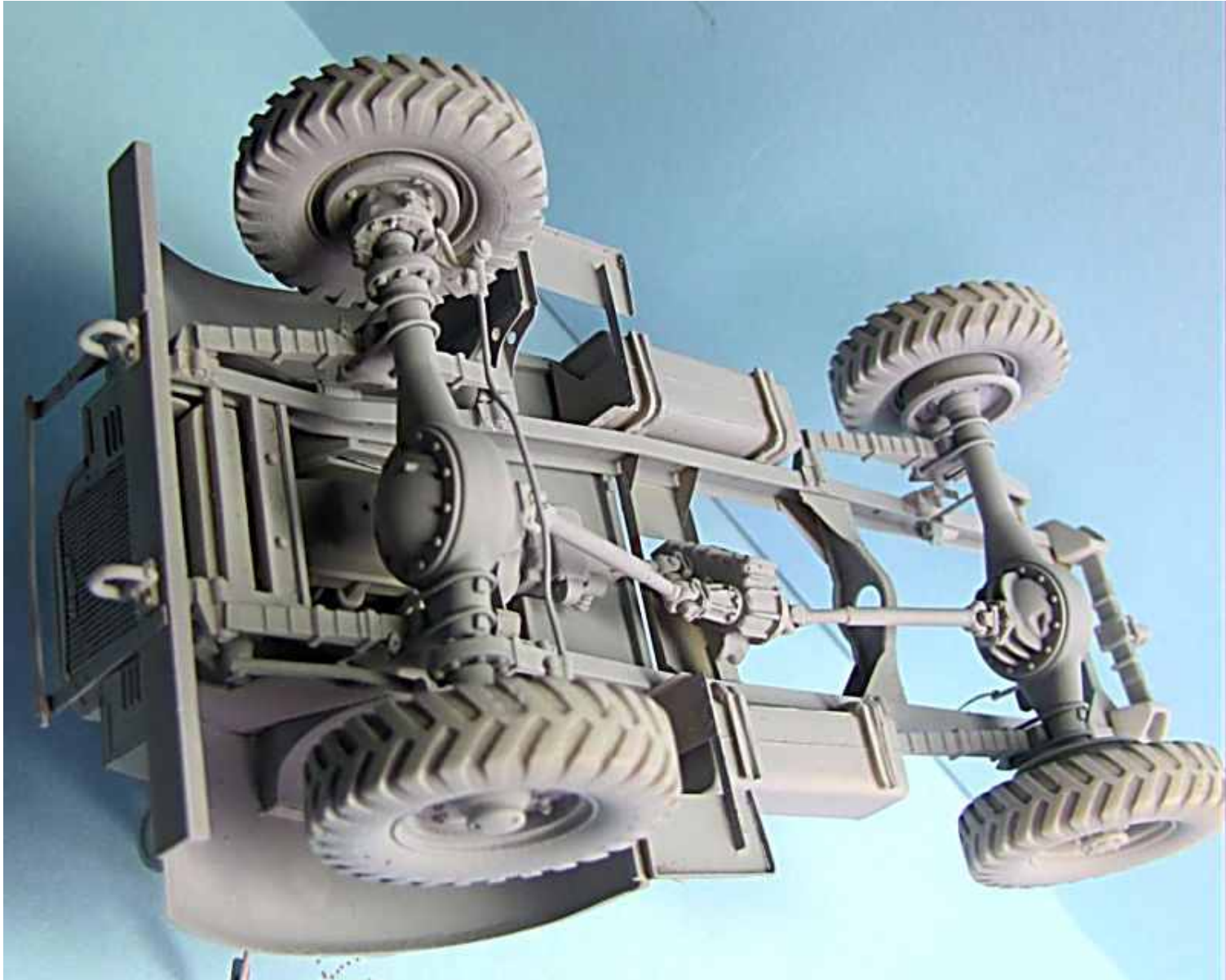


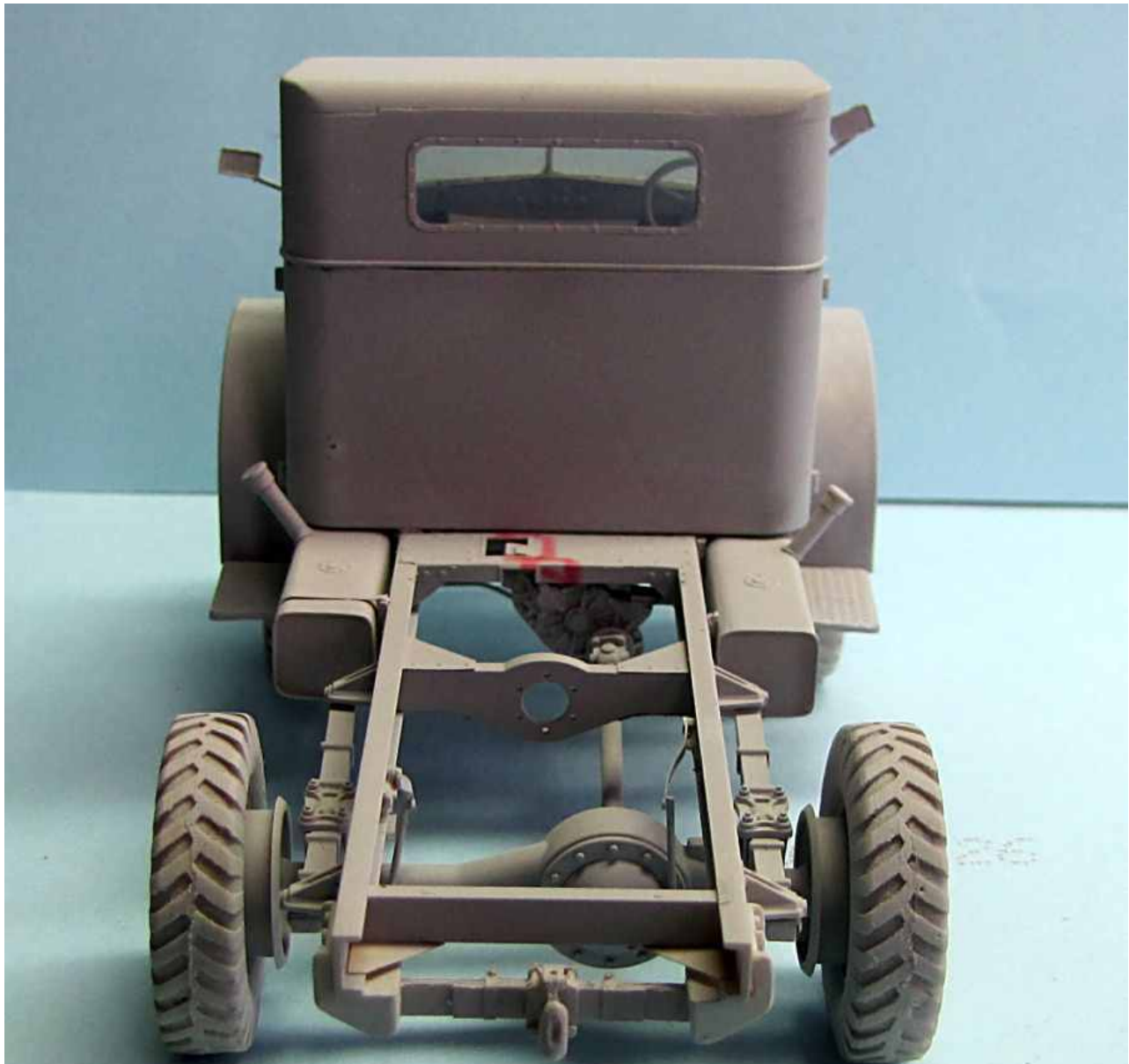
PE1, PE5, PE7 optional to replace plastic



Full photo instructions in colors with hi-res images available to download
www.mirror-models.com
http://mirror-models.com/c15a_assembly.pdf
http://mirror-models.com/c15a_marking.pdf







60 50 826

03

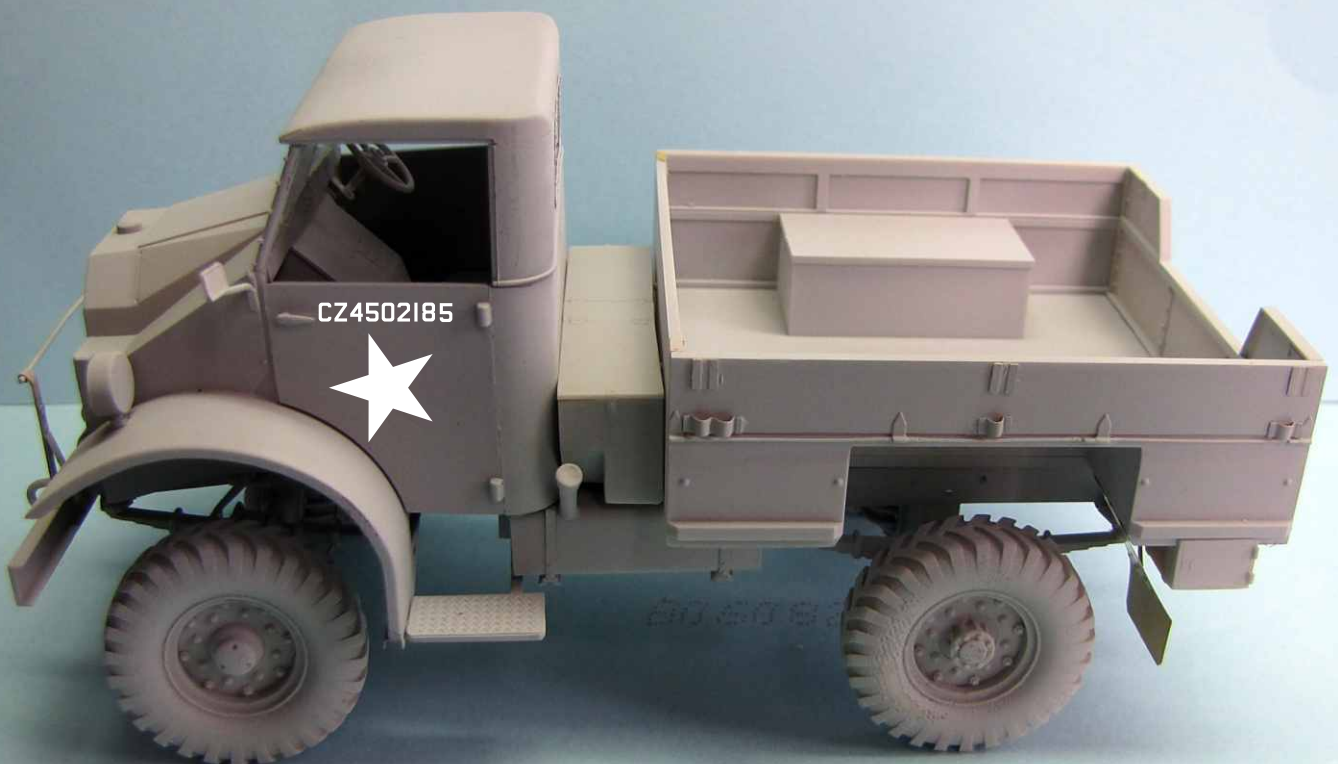


Vehicles often painted in olive drab, in desert service in sand yellow



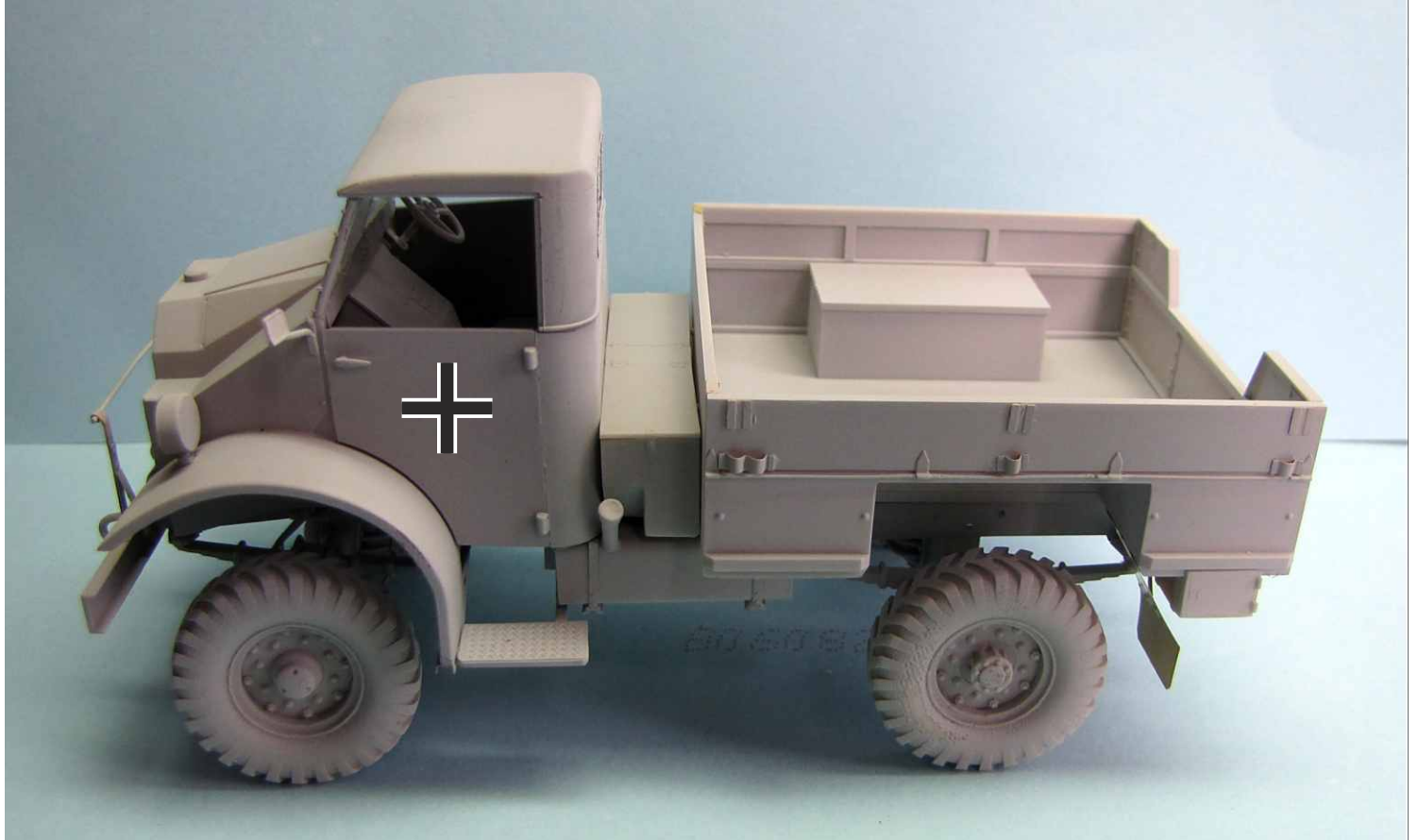
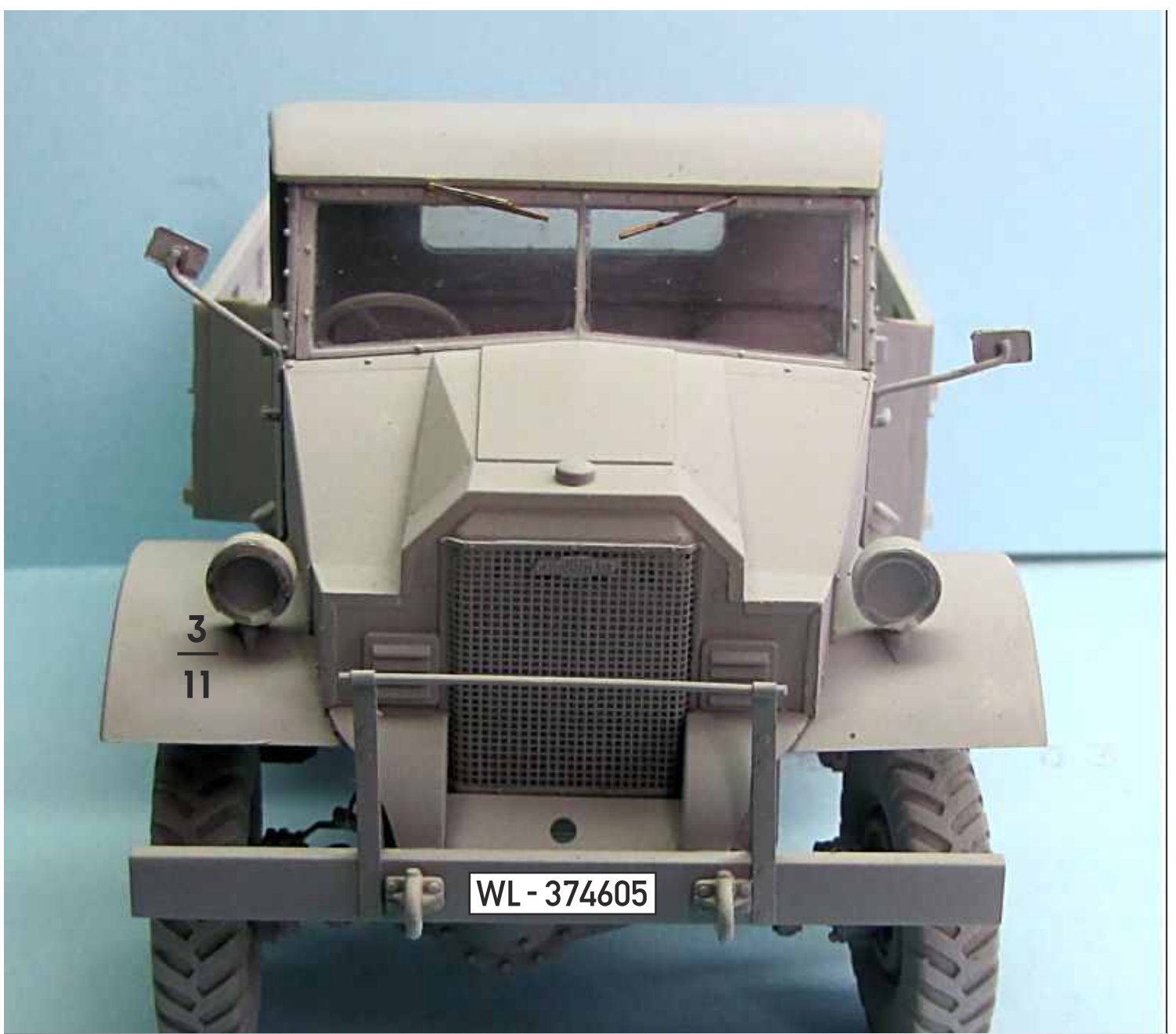
with PE
plate

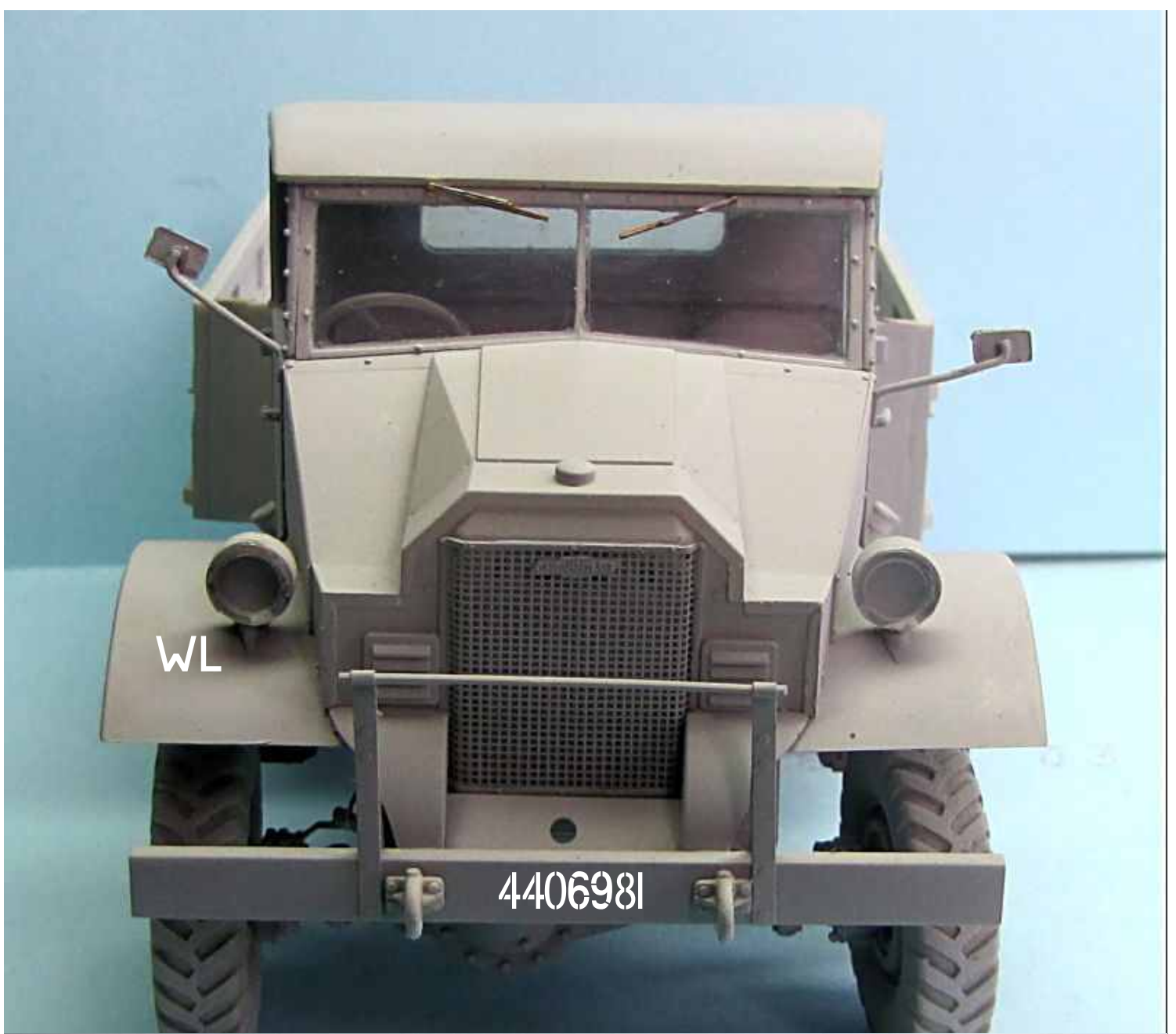
5



CZ4502185







We hope you have enjoyed our kit. We have improved many things on our next releases, any ejector marks will be avoided as much as possible, and many small details provided now in resin will be also molded in plastic without compromises on detail. Mk I Otter kits is produced in plastic except the resin wheels and transfer case, which is too complicated and could not be made in plastic without losing tiny details

If you have experienced missing or damaged part in your kit, contact us directly for replacement at: Mirrormodels.contact@gmail.com

Check for updates and new kits at www.Mirror.models.com

Additional sets and accessories for our kits available at: www.Lzmodels.com

C15A Water Tank Lorry with Cab 11 or 12 - conversion set for this kit is now available at: www.Lzmodels.com

CMP C15A Van Lorry Truck, Cab 13 Precision plastic model	CMP Mk I Otter Light Reconnaissance Car Precision plastic model
 <p>MIRROR Models Ltd.</p> <p>1/35 Scale</p> <p>Kit No. 35102</p>	 <p>MIRROR Models Ltd.</p> <p>1/35 Scale</p> <p>Kit No. 35103</p>

coming soon

Special thanks to James Gosling and Cliff Hutchings for great support and help with references. Also thanks to many other members of <http://www.mapleleafup.net/> for their kind support and advice