

Russian KAMAZ-4310 Truck

俄罗斯KAMAZ-4310军用卡车

READ BEFORE ASSEMBLY:

- Study and understand these instructions thoroughly before beginning assembly
- When needed, remove photo-etch parts carefully using a modeling knife or photo etch sprue cutter, being careful not to damage or lose small parts.
- Take extra care in handling photo etch parts in order to avoid injury
- Apply instant cement sparingly to photo etch parts where instructed
- Tools recommended(not included in kit):Plastic and instant cements, sprue cutters,long nose pliers,modeling knife, small files, tweezers, pin vise & scissors. Soft cloth and sandpaper will also assist in construction
- Glue and paint are not included in the kit. Use plastic cement and hobby paints only. Color guide for purchasing paint is included in the kit.

装配之前仔细阅读

- 小心用模型锉刀锉平所有零件表面的注射浇口。
- 小心用刀片切下蚀刻片零件，不要遗失小零件。
- 用强力快干胶水粘合蚀刻片零件和金属轴。过量快干胶水使用可能导致可动零件会粘住，小心涂胶。
- 取蚀刻片时应特别注意安全，防止利边划伤手指。
- 某些零件表面需贴水上贴纸，请选择在装配的同时进行。
- 推荐模型工具(自备)：胶水，水口剪刀，长咀钳，刀片，锉刀，镊子，钳，钻，剪刀，瞬间快干胶。
- 软布同砂纸同时也应该是必备工具。
- 请使用塑料胶水和油漆，模型内不含。



配重
Weight



使用强力胶
Cyanoacrylate glue



钻孔
Make hole



切除
Cut / Remove



贴纸
Decal



锉平
File / Sand



选择
Option



不涂胶水
No cement



弯曲
Bend



先装
Install it first

水贴纸的使用:

- 1.从水贴上剪下印花;
- 2.将印花放入温水中浸10秒,然后放在干净布上。
- 3.拿着印花纸板将印花移到模型上;
- 4.手指蘸水将印花移到适当的位置;
- 5.用软布轻压印花直至水干, 汽泡消失

DECAL APPLICATION

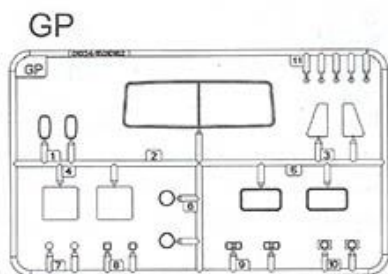
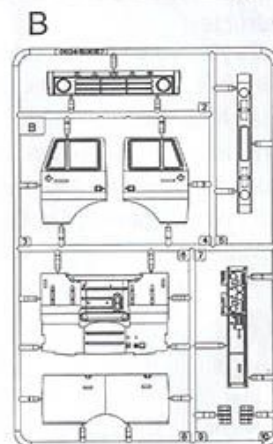
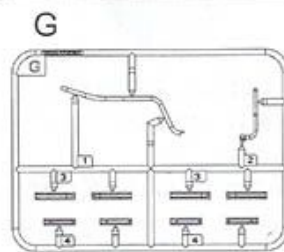
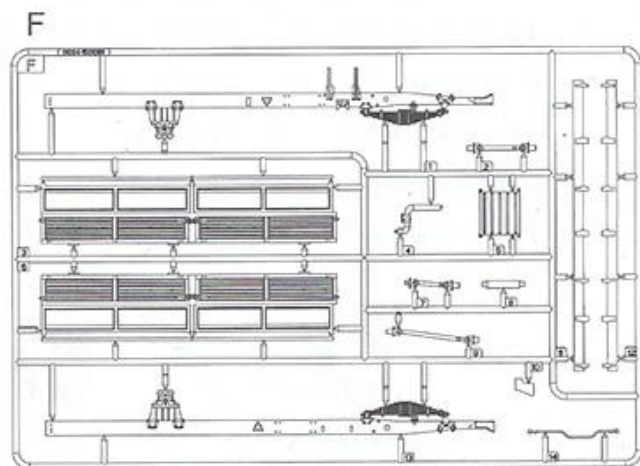
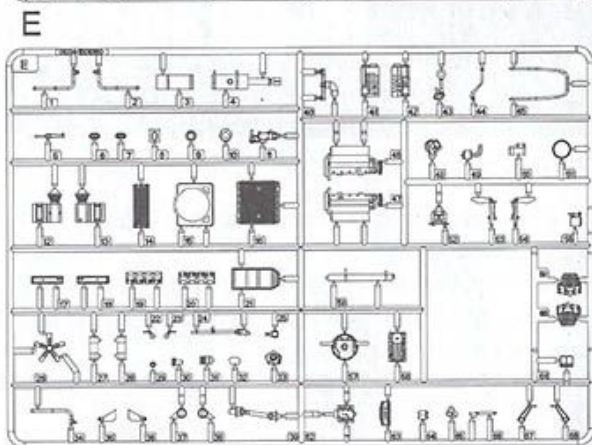
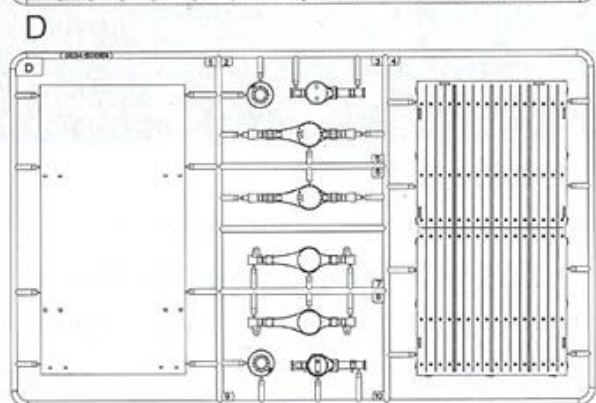
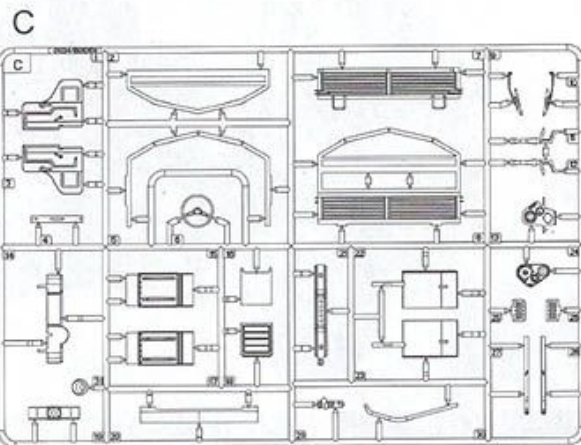
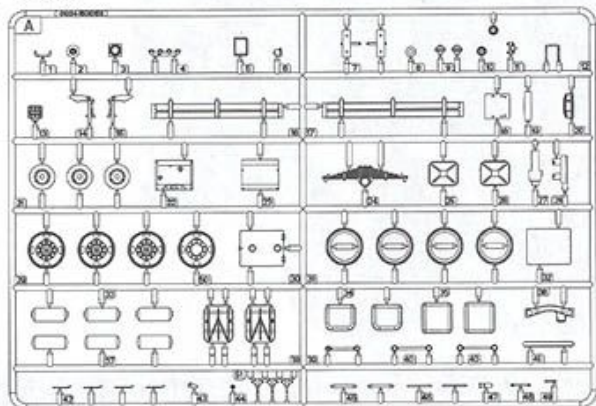
- 1.Cut decals from sheet as needed
- 2.Dip the decal in warm water for about 10 seconds and then place on soft clean cloth.
- 3.Hold the decal backing sheet edge and gently slide the decal onto the model in its proper position.

- 4.While still wet,decal can be adjusted for better fit on model by dampening it gently with your finger.
- 5.When placed in the proper position,gently press decal down with a soft cloth until excess water and air bubbles are gone.
- 6.Allow decal to dry completely before handling model

部品图

Parts

Ax2



《驾驶室》
Cab



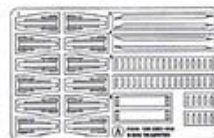
《轮胎》x7
Type



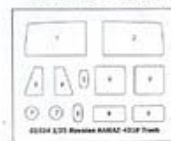
《金属轴》x3
Shaft



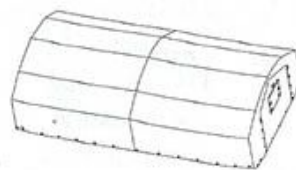
《蚀刻片》
PE



《遮盖纸》
Die-cut mask



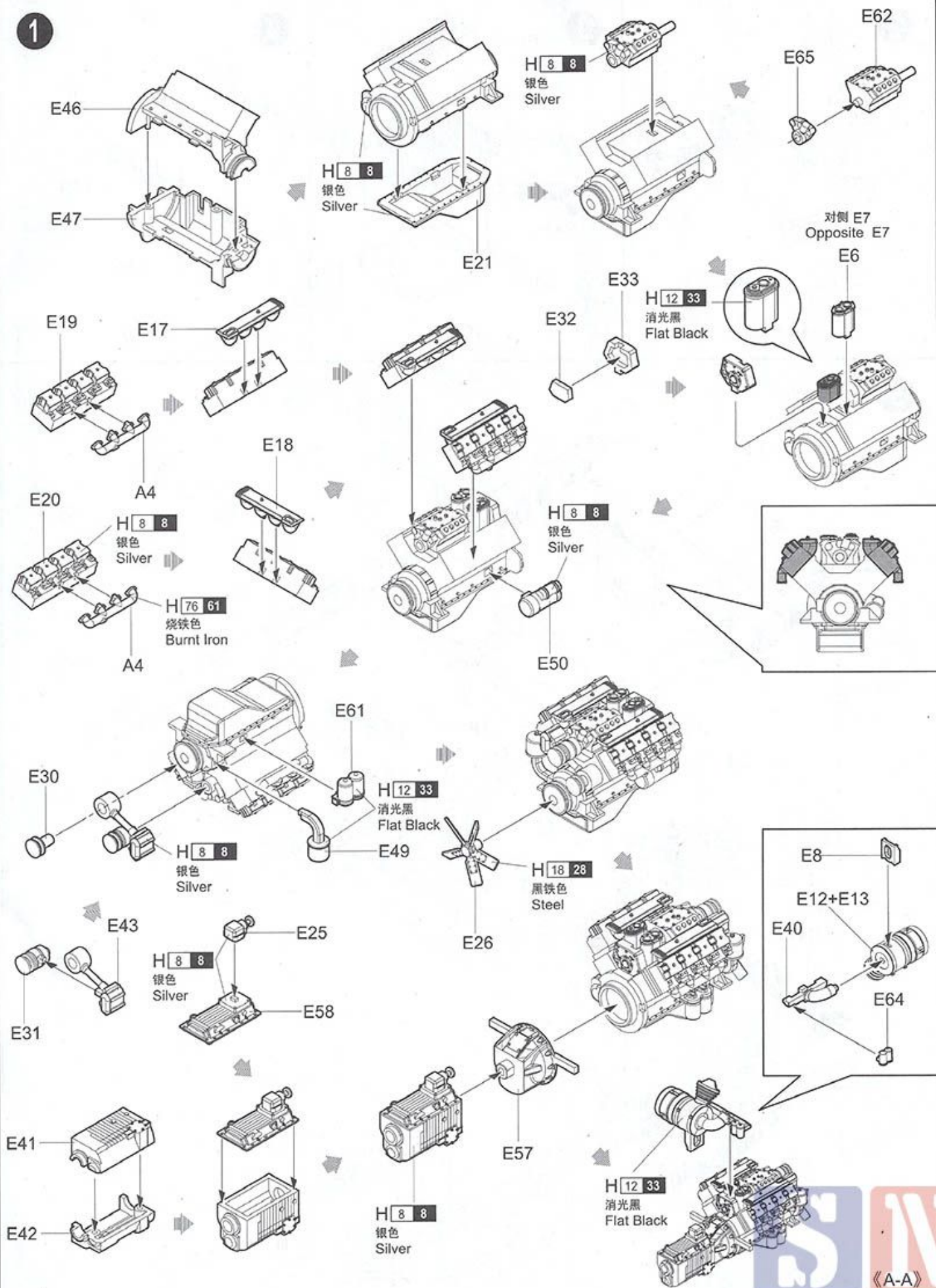
G5



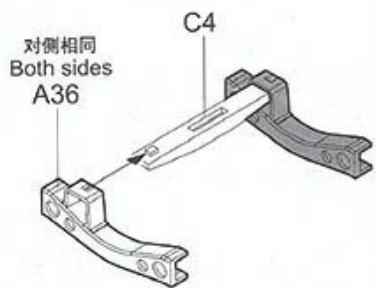
《水贴》
Decal



1

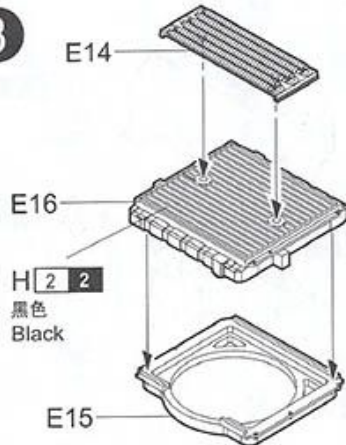


2



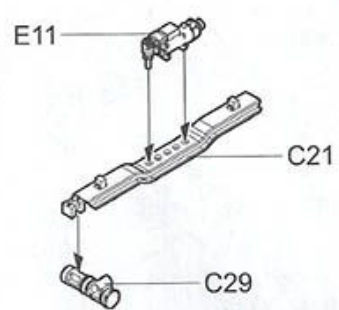
《B-B》

3



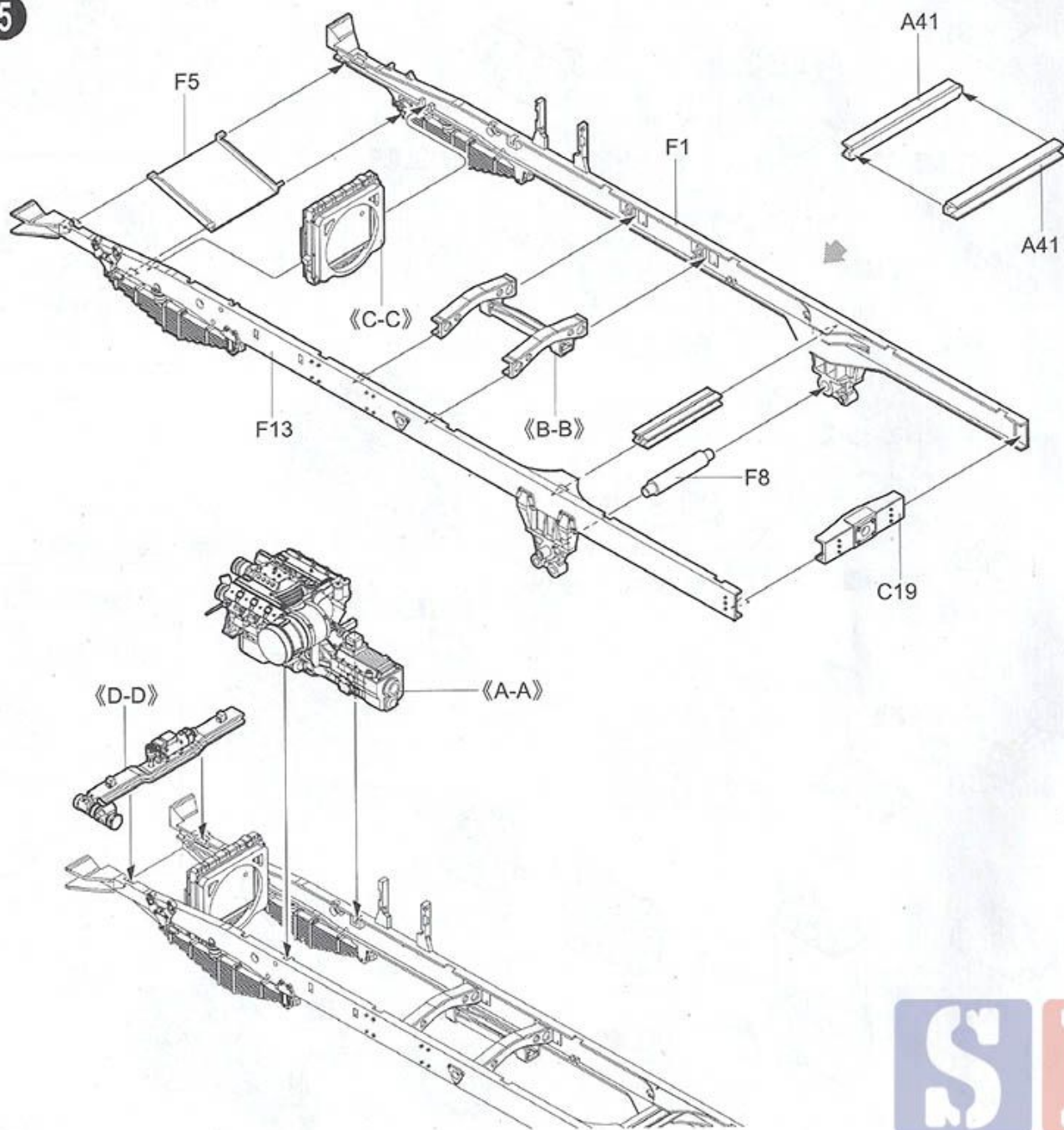
《C-C》

4

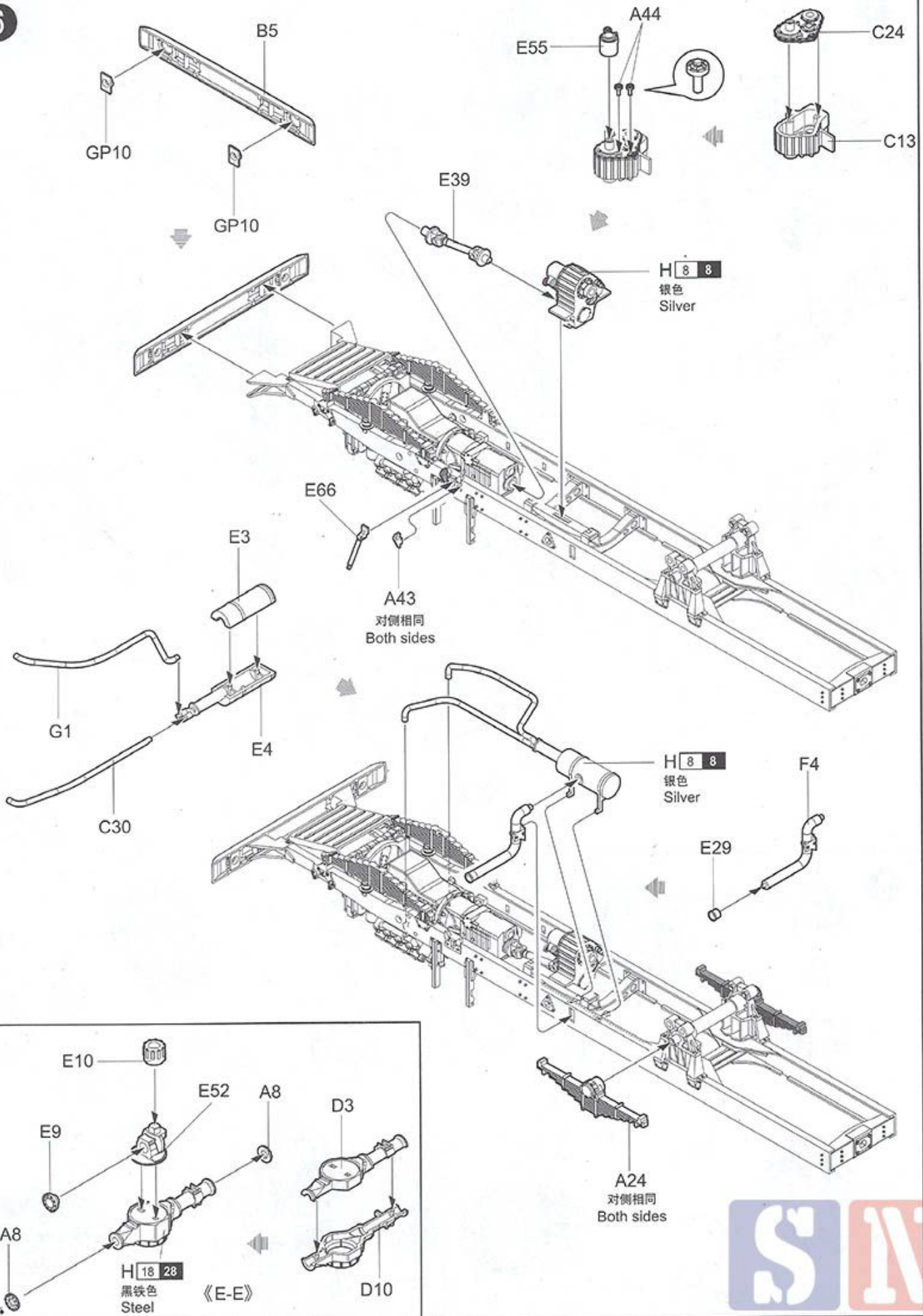


《D-D》

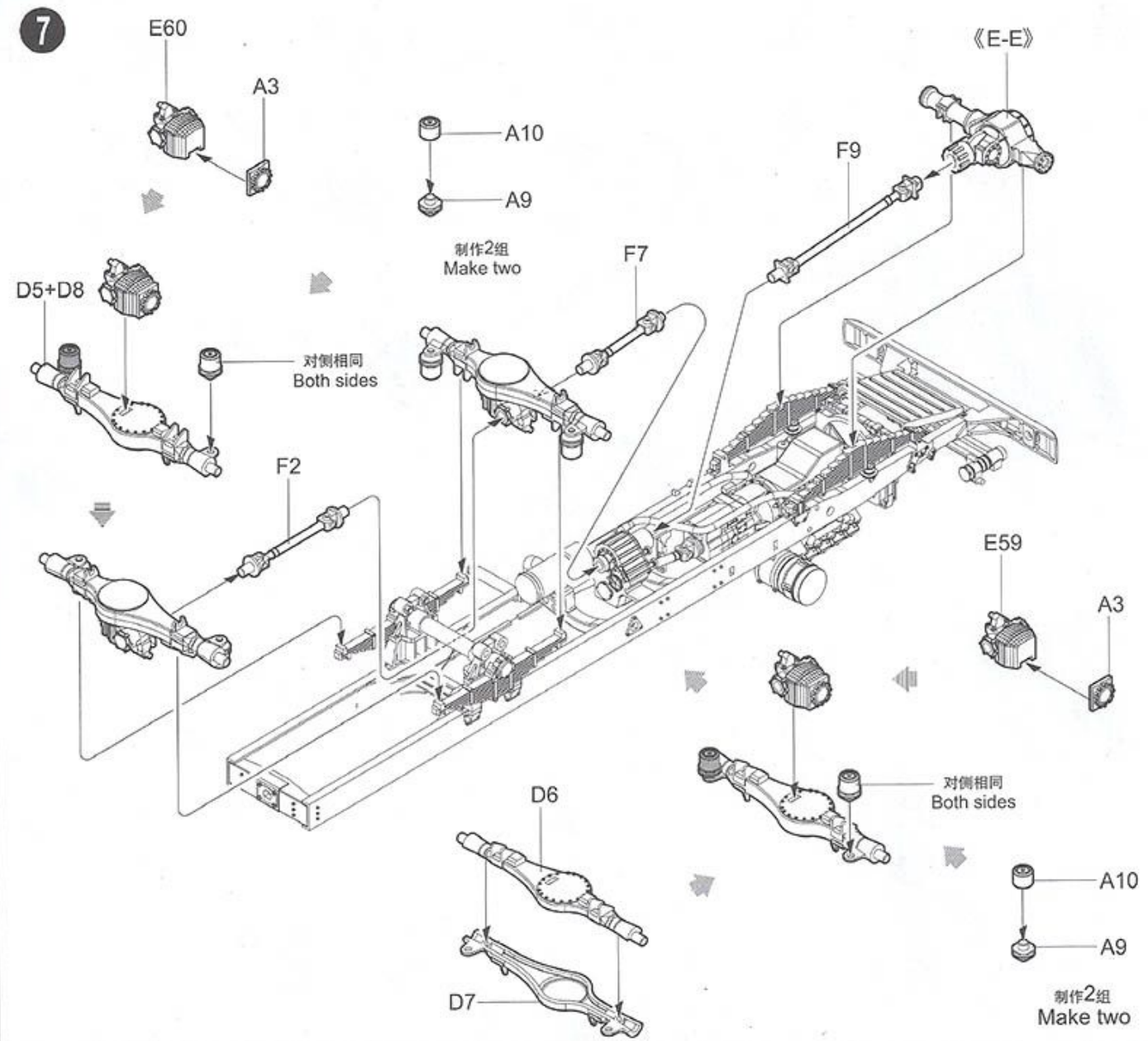
5



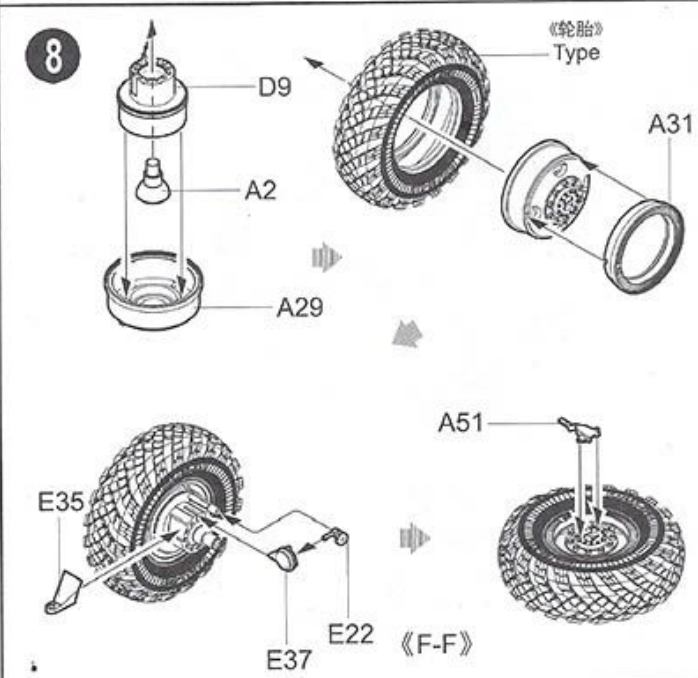
6



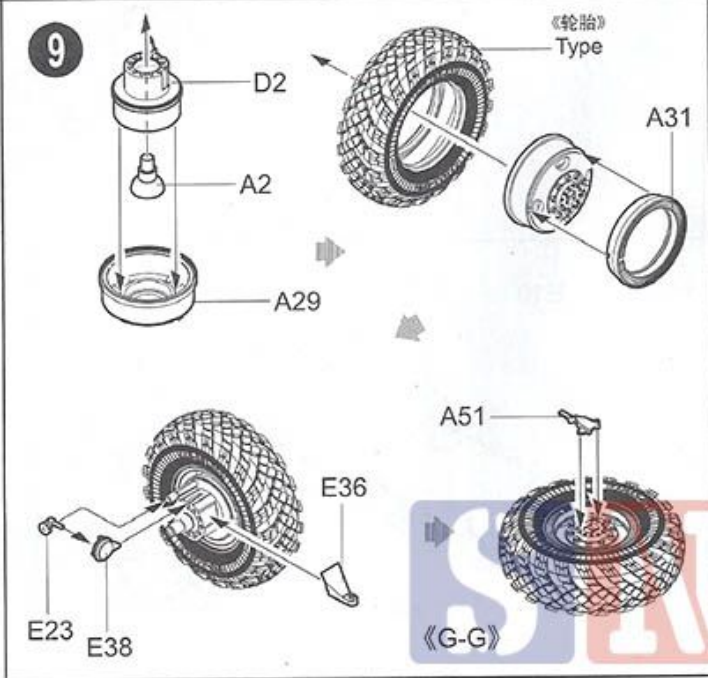
7



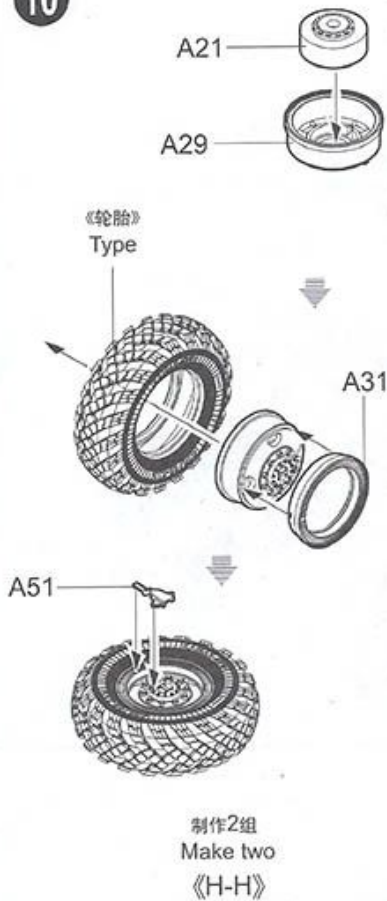
8



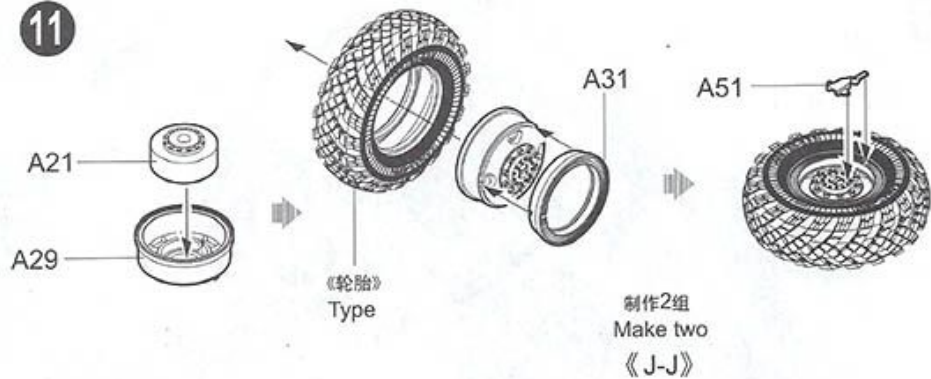
9



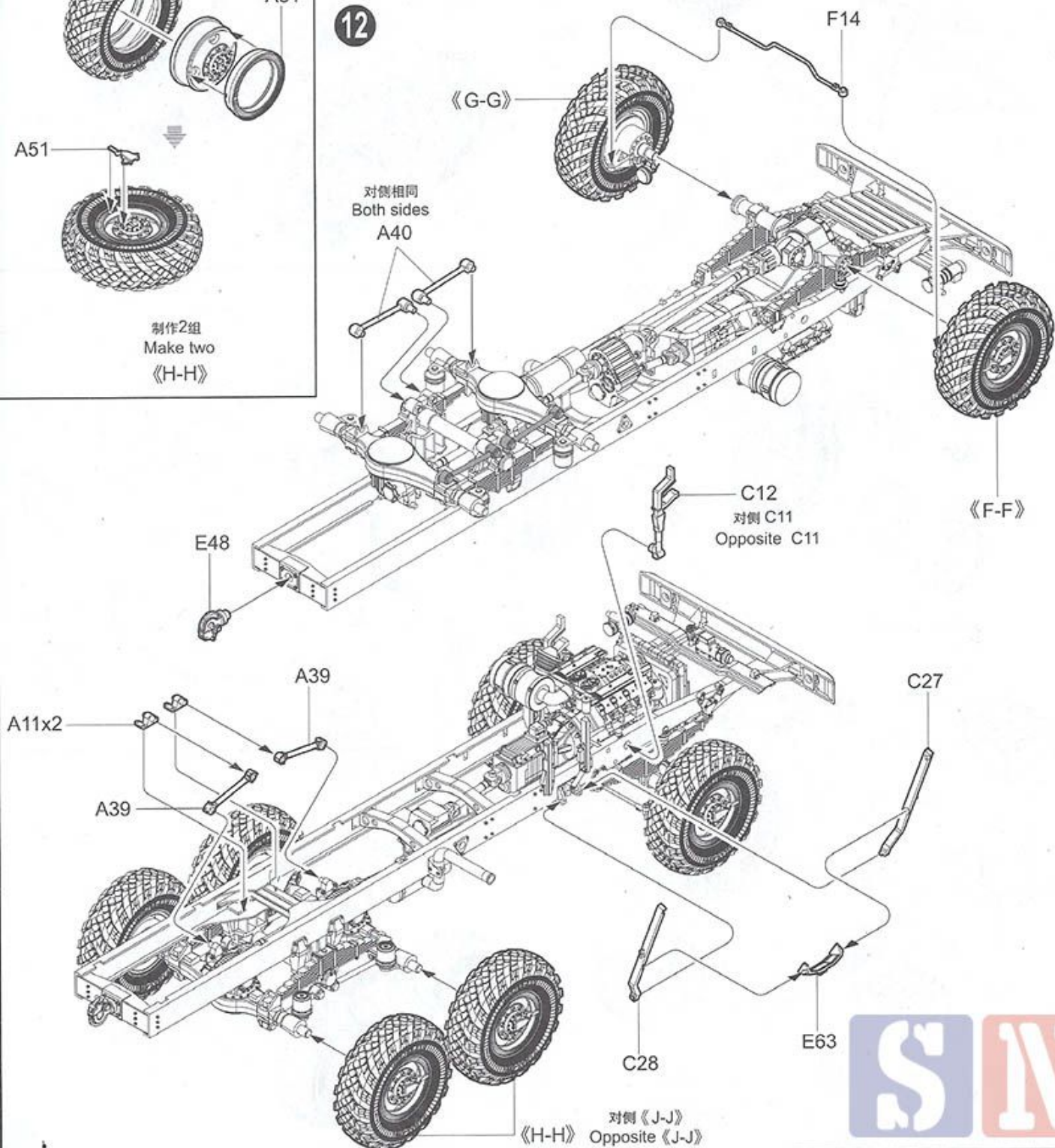
10



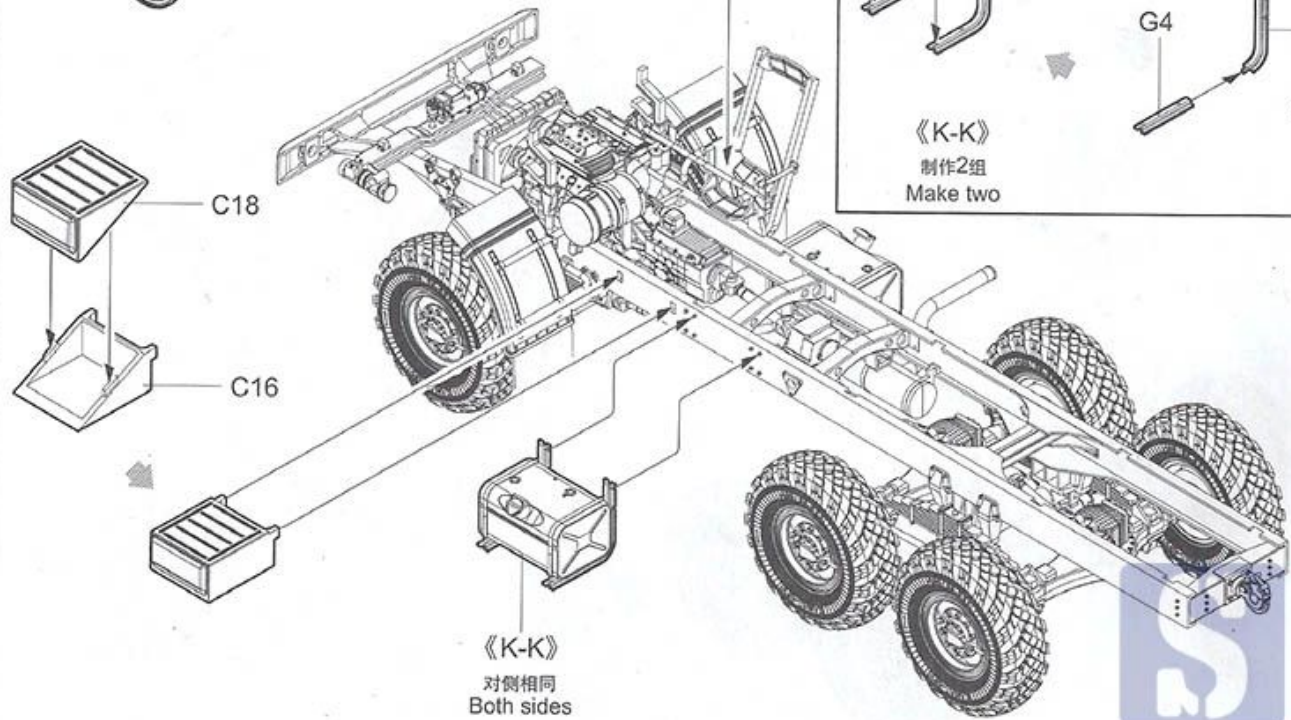
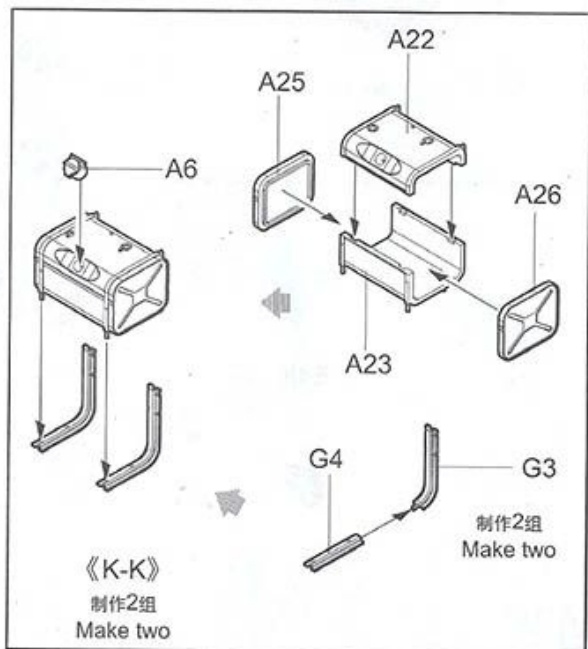
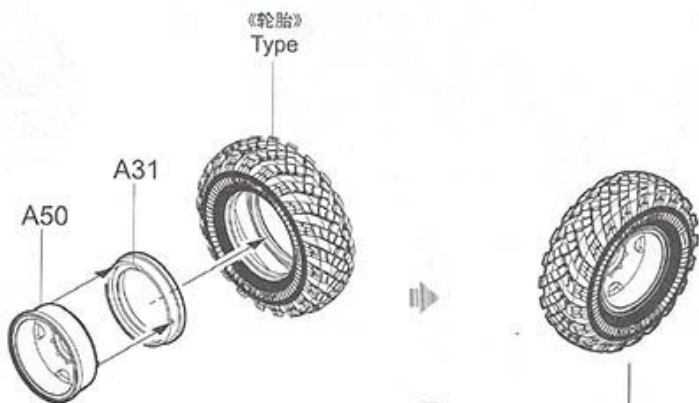
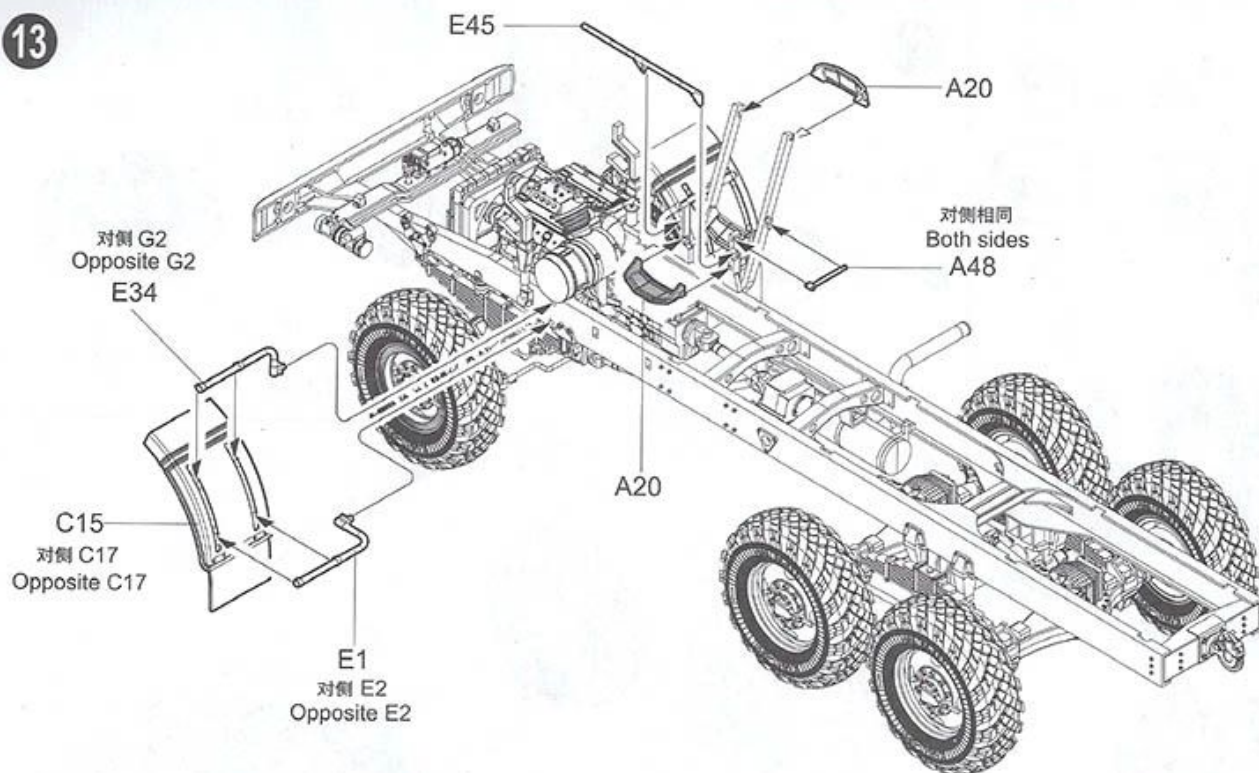
11



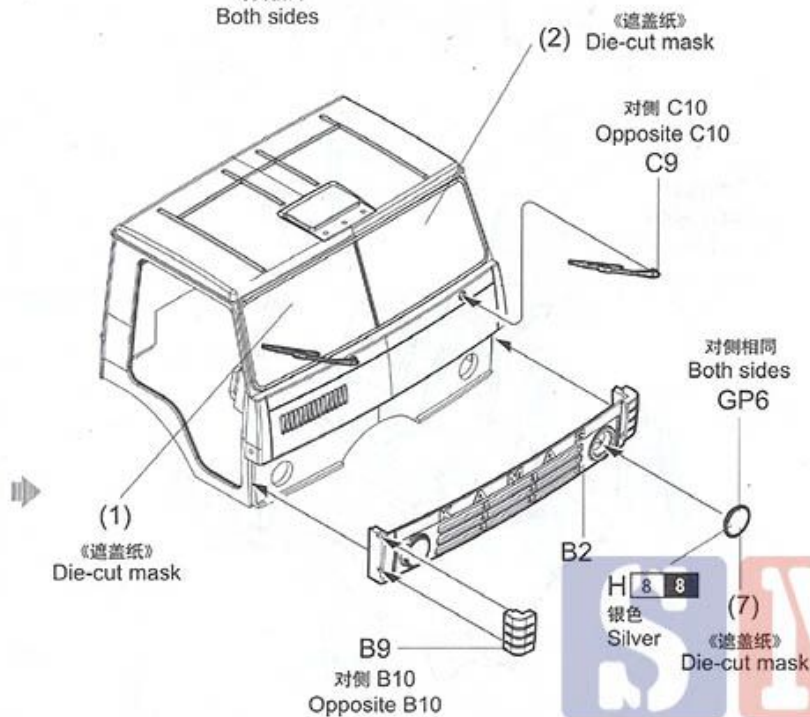
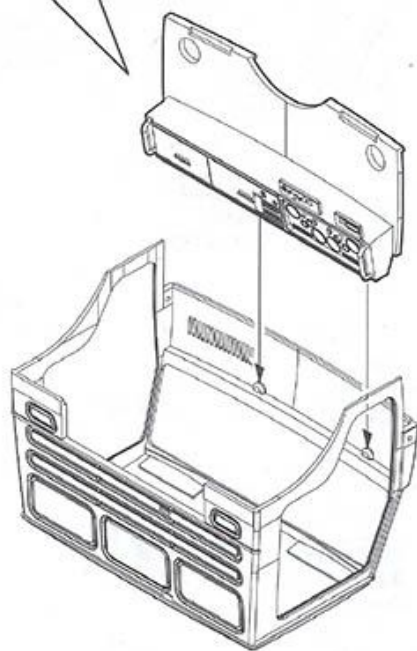
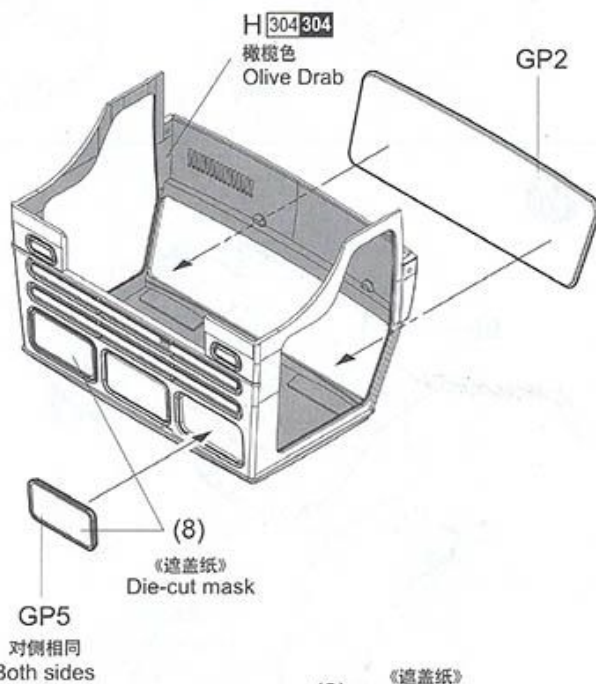
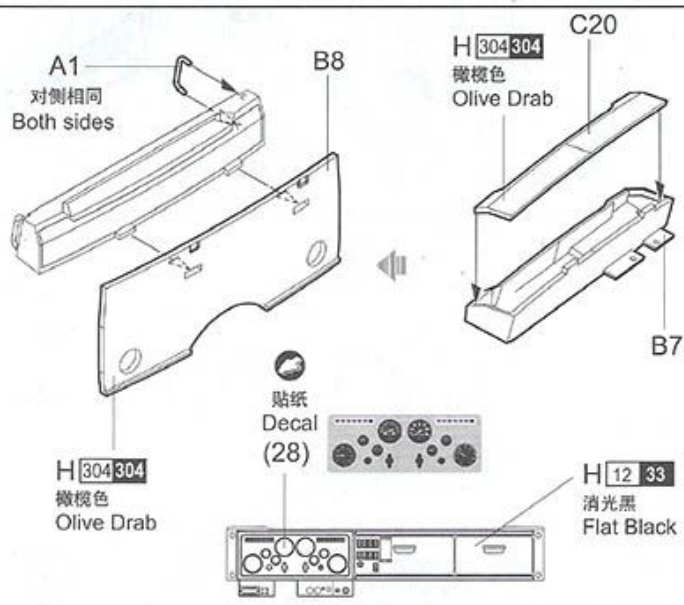
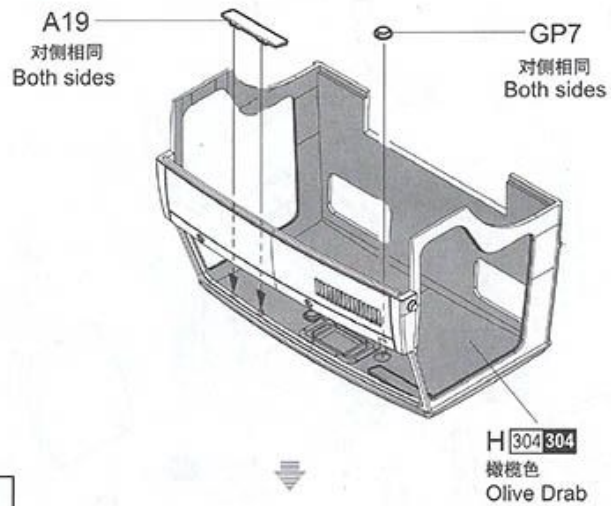
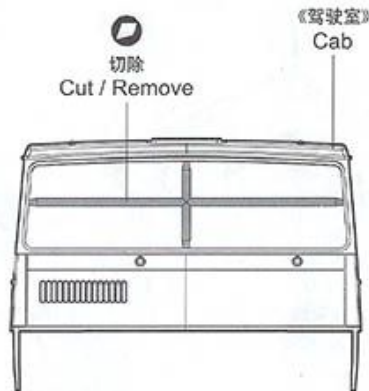
12



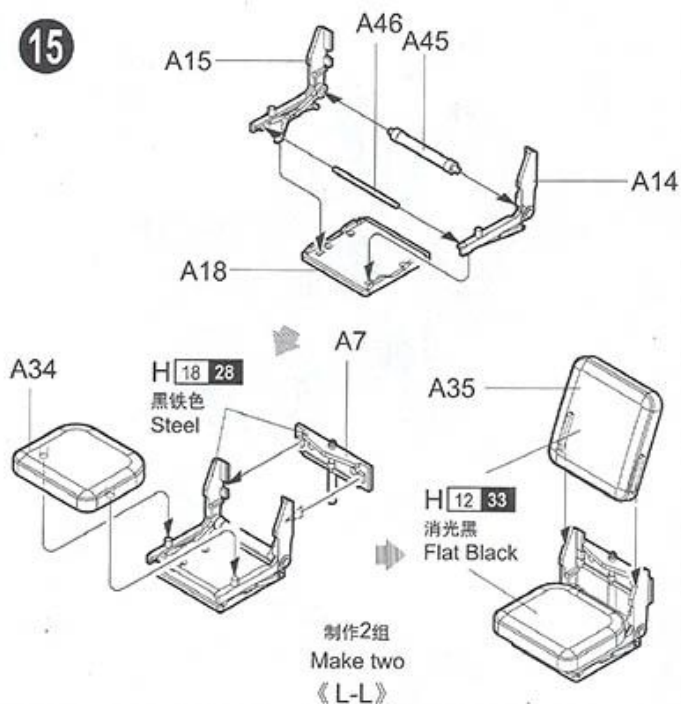
13



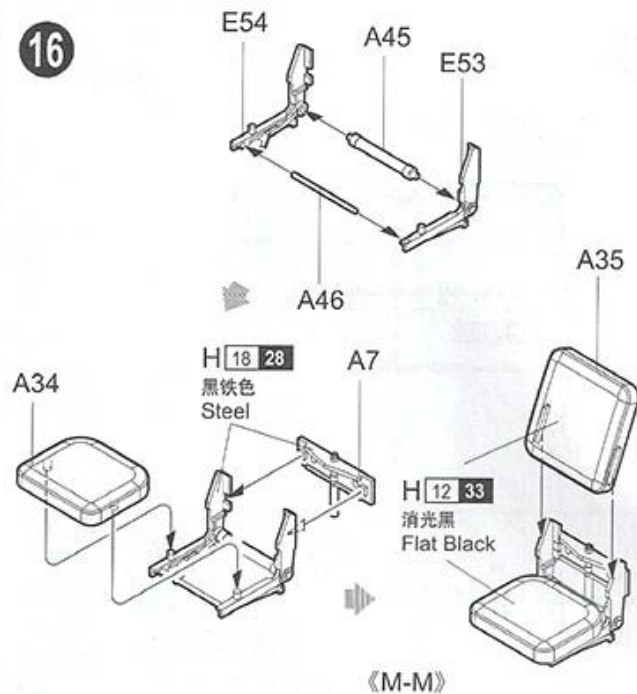
14



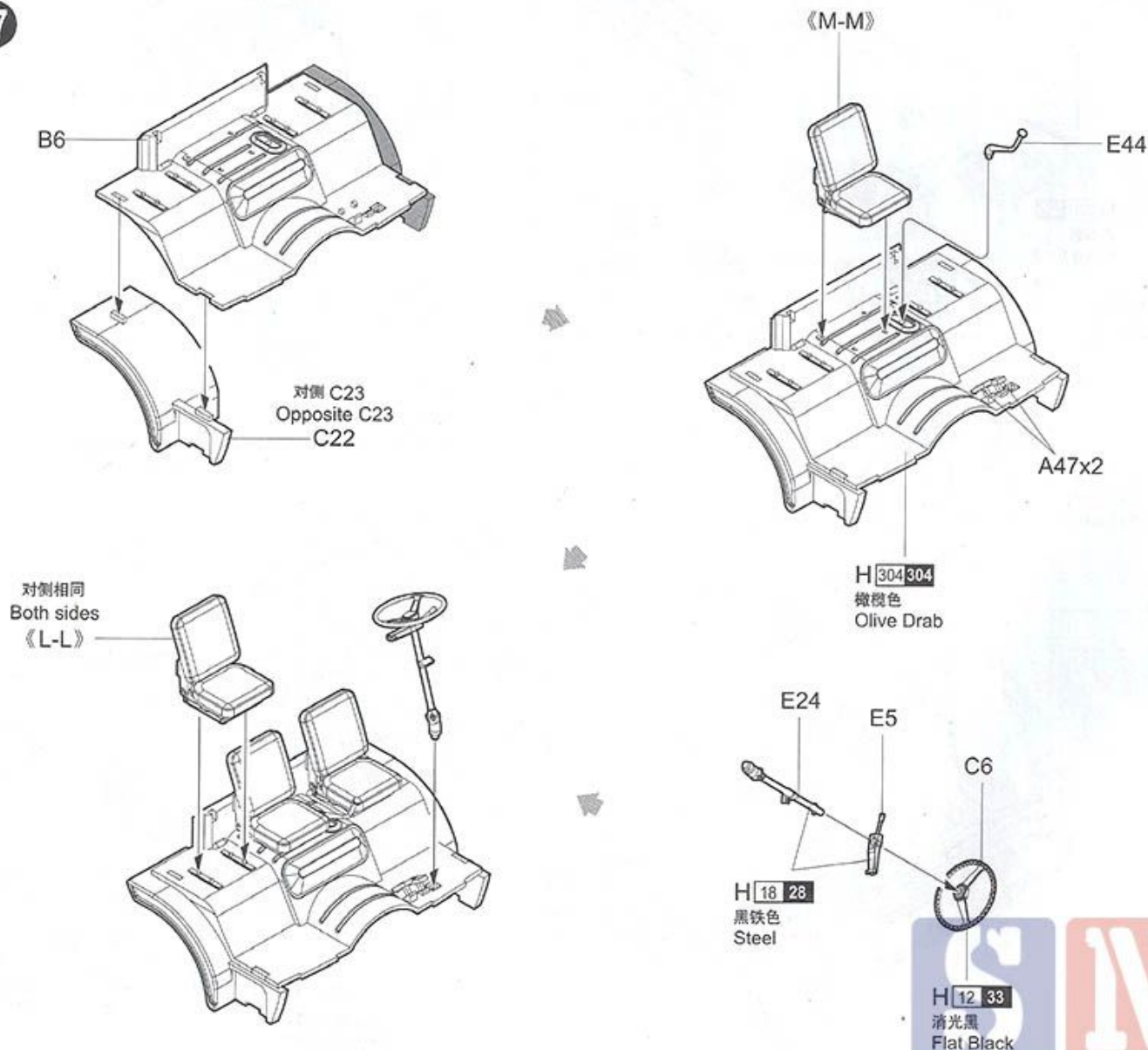
15



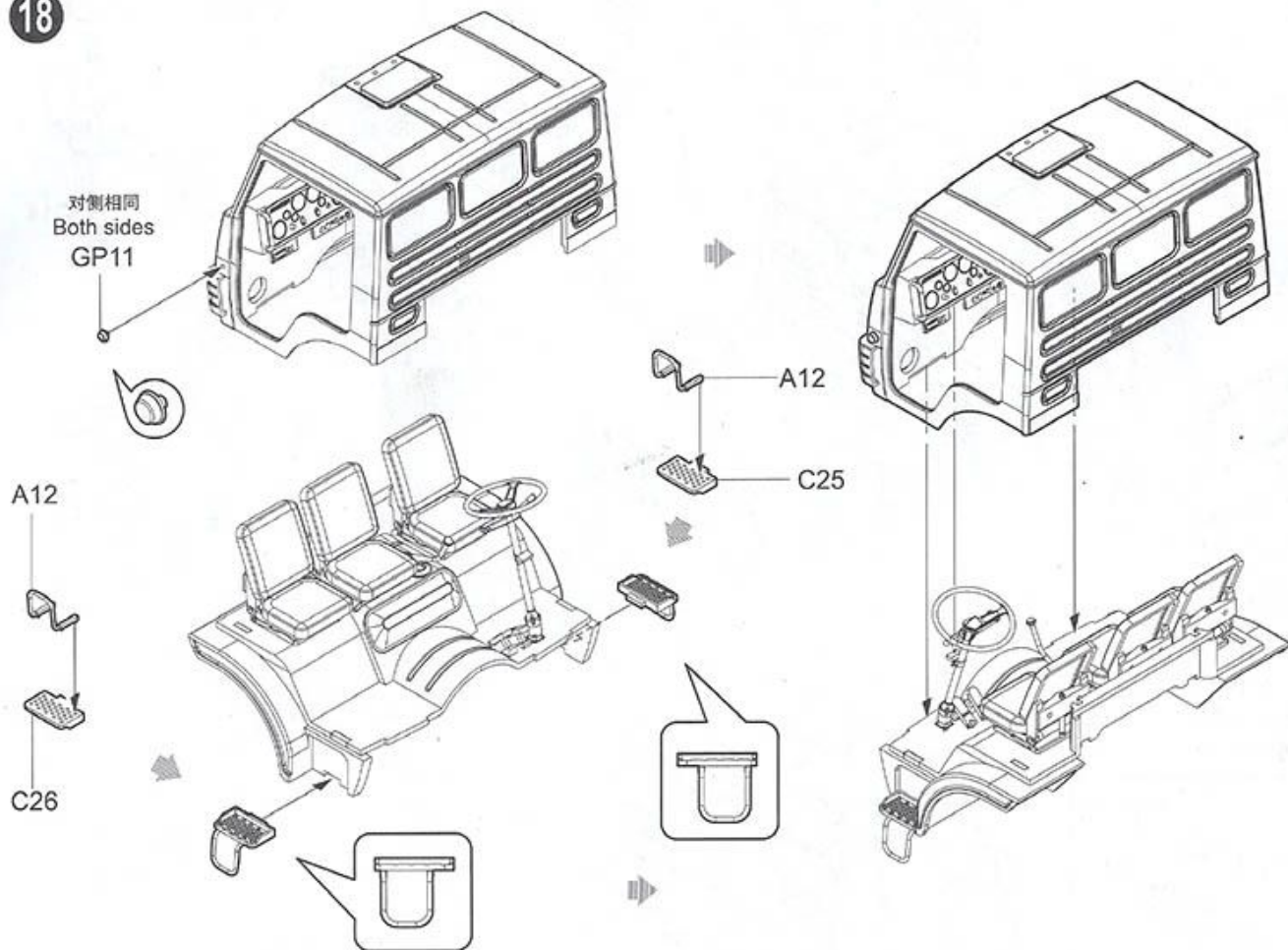
16



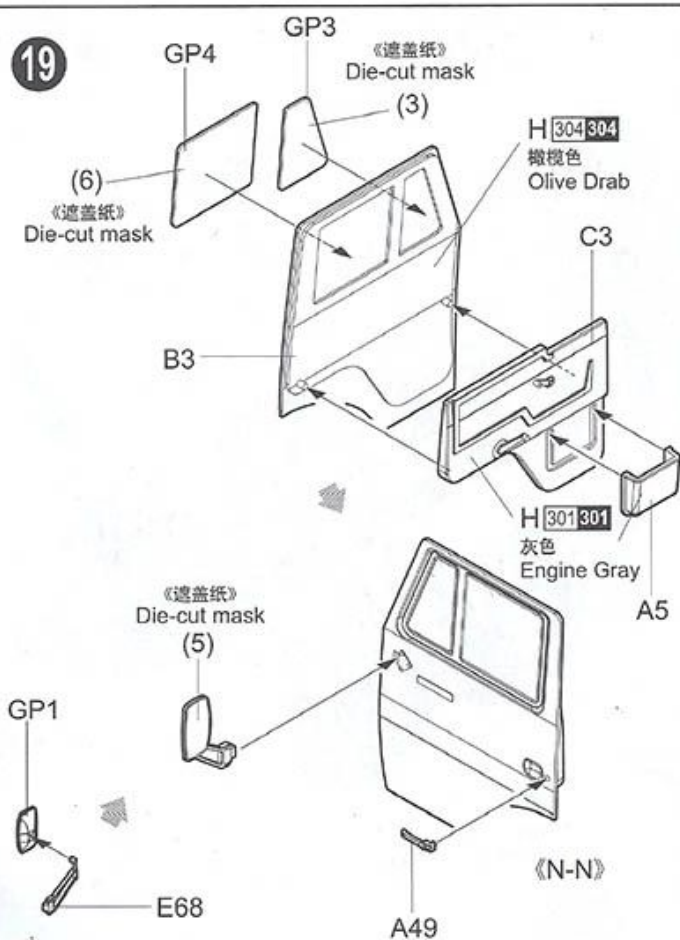
17



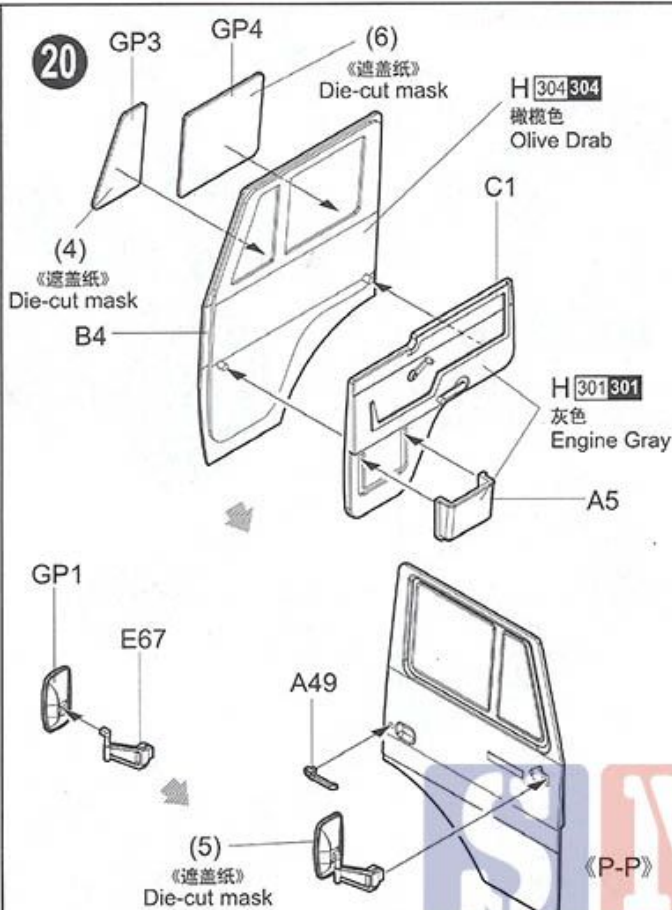
18



19



20



21

GP11x3

A13

C31

H18 28
黑铁色
Steel

A13

C14

E56

E51

《N-N》

对侧《P-P》
Opposite《P-P》

A33

A37

制作3组
Make three

A28

弯曲
Bend
PE-A3

弯曲
Bend
PE-A2

PE-A3

PE-A2

制作2组
Make two
《Q-Q》

《Q-Q》
对侧相同
Both sides

对侧 F12
Opposite F12
F11

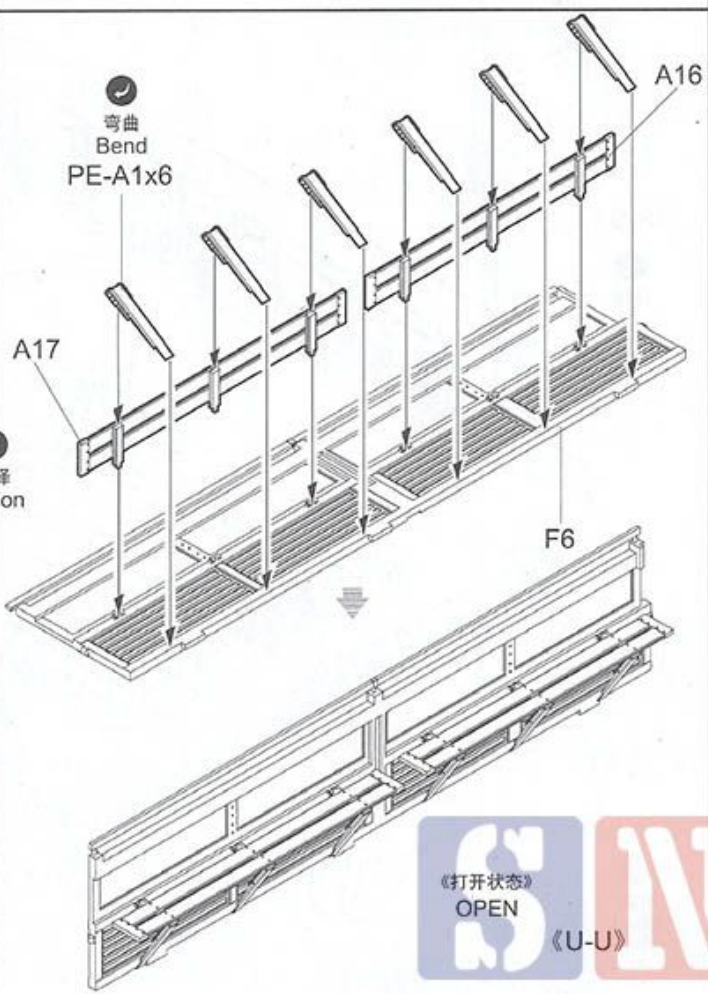
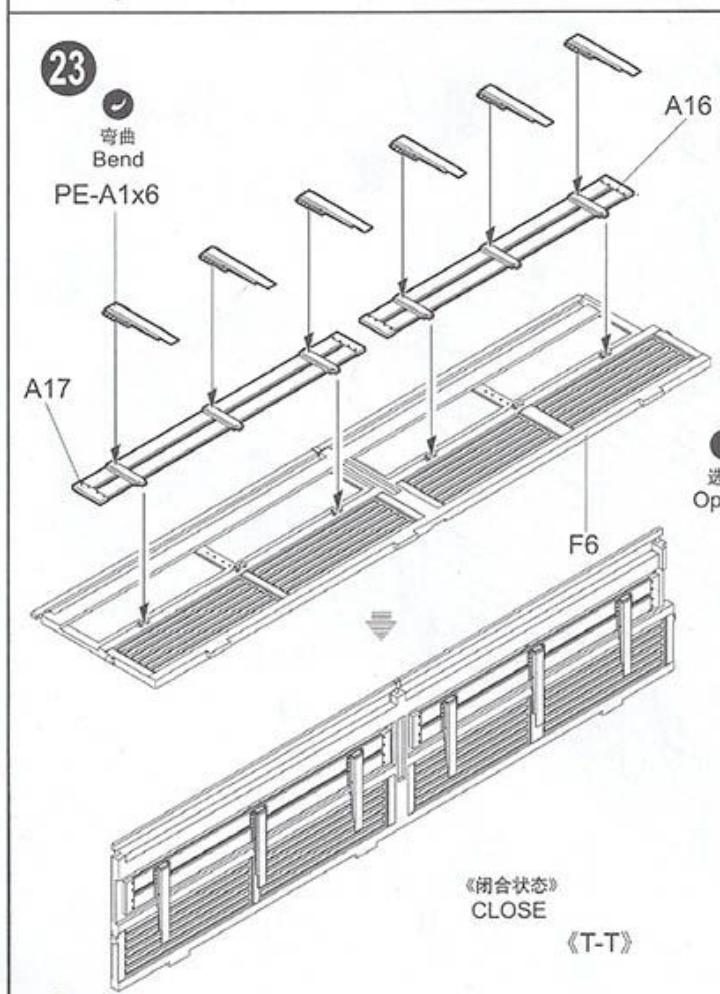
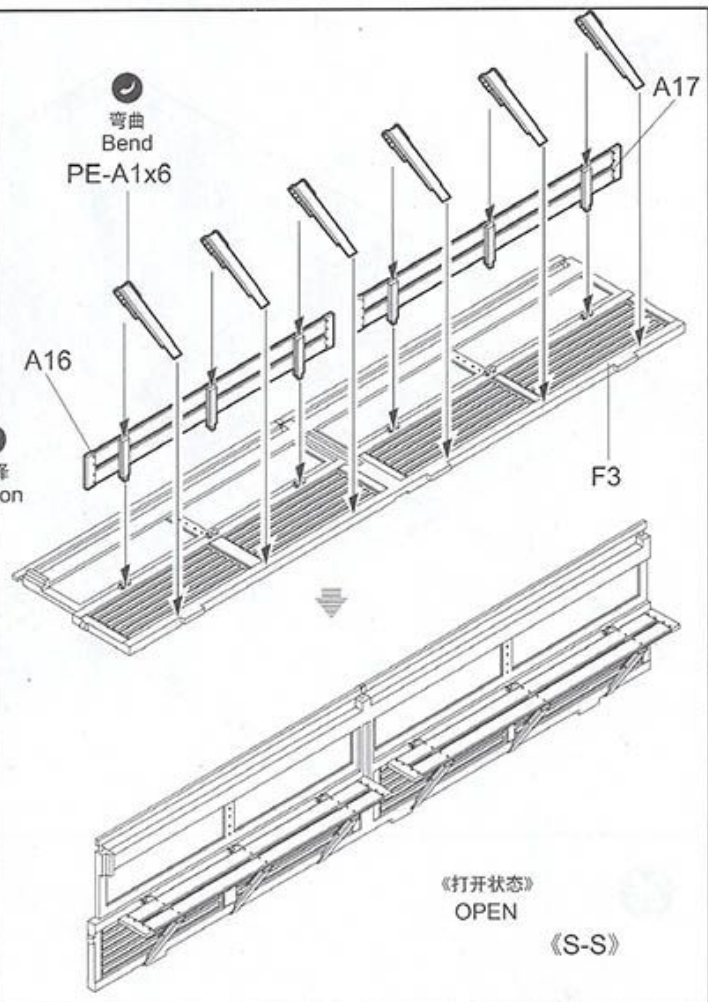
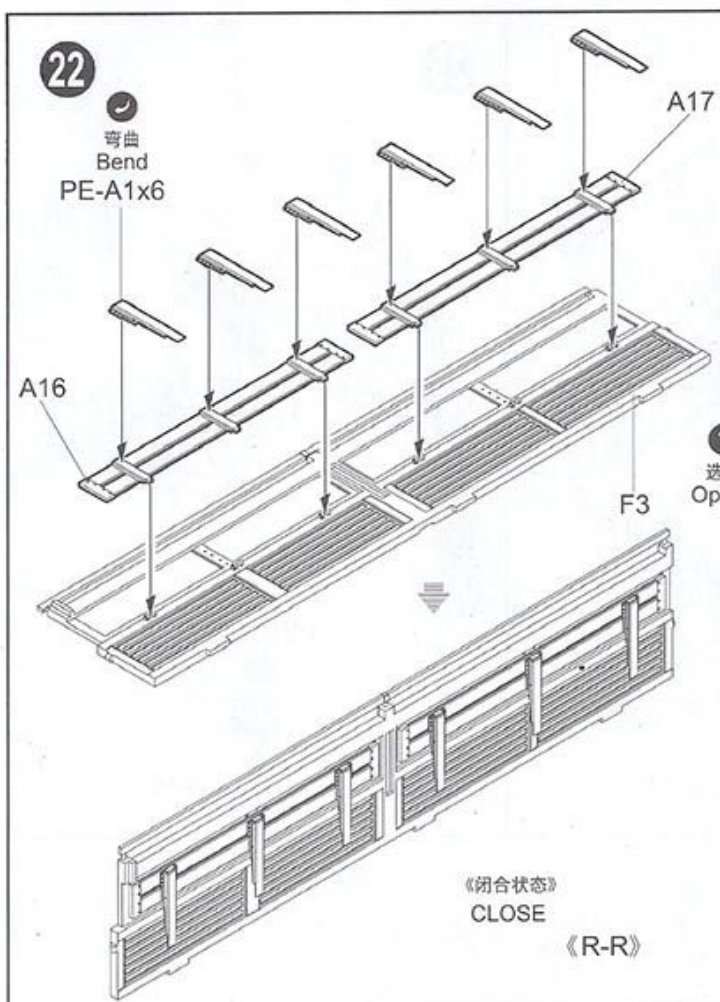
折弯工具
Bend PE Tool
F10

PE-A5

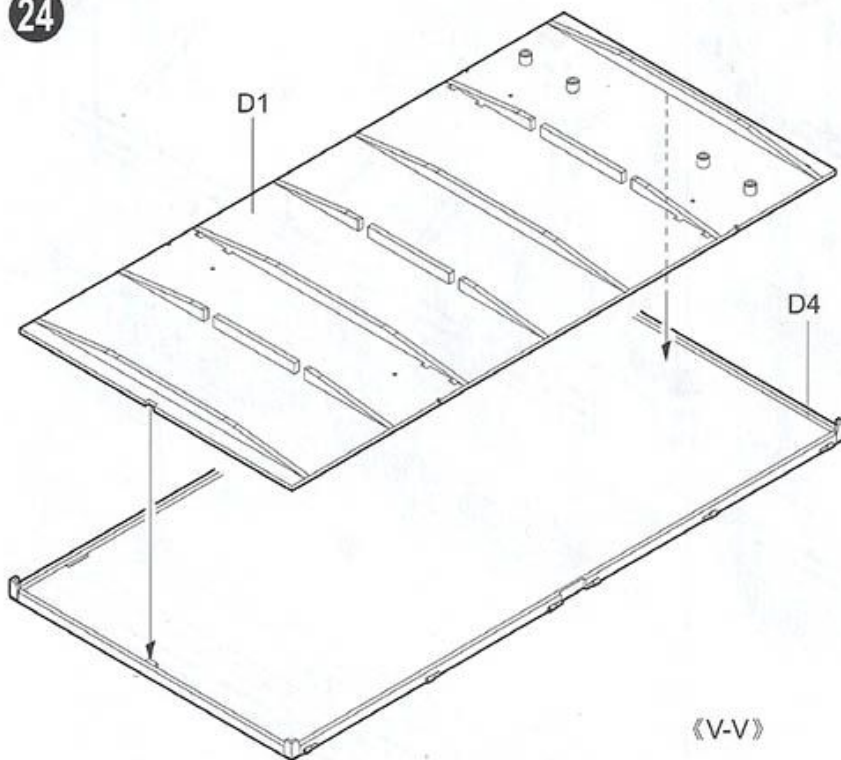
弯曲
Bend

制作2组
Make two

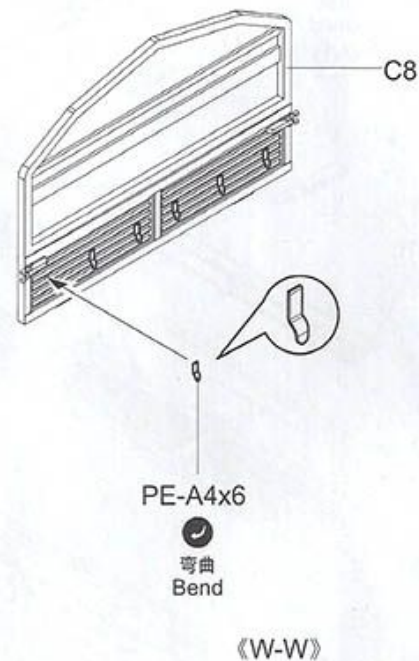




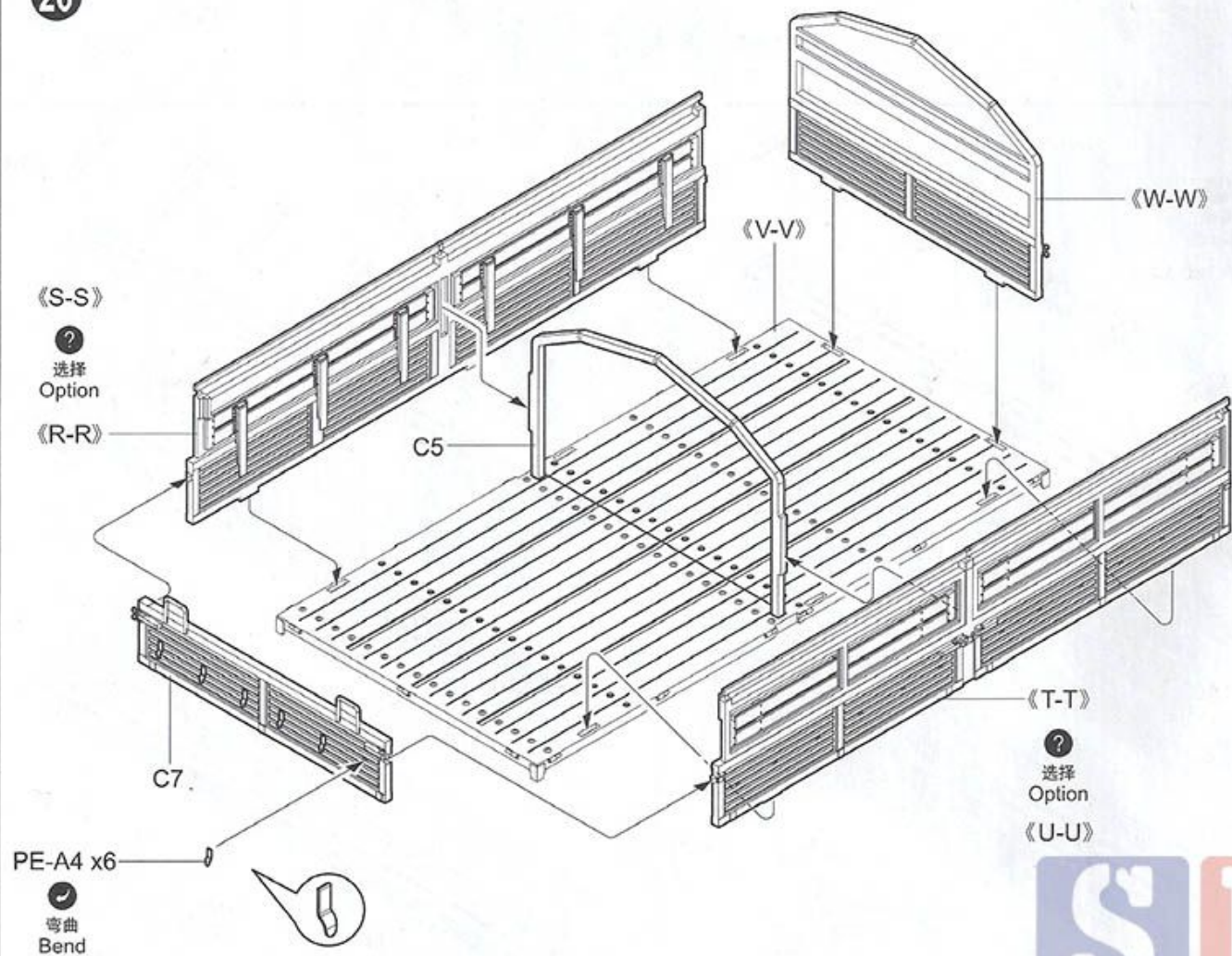
24



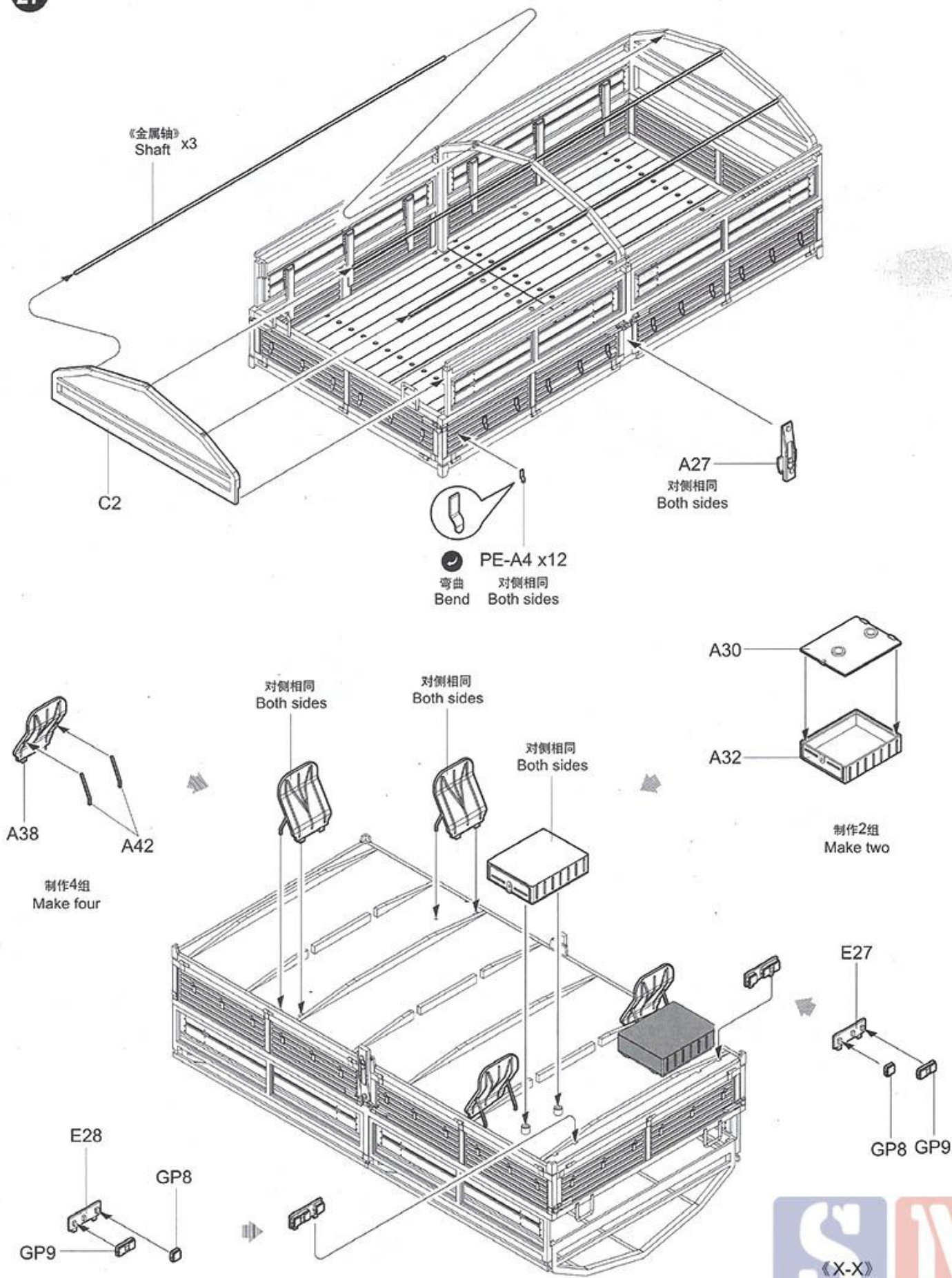
25

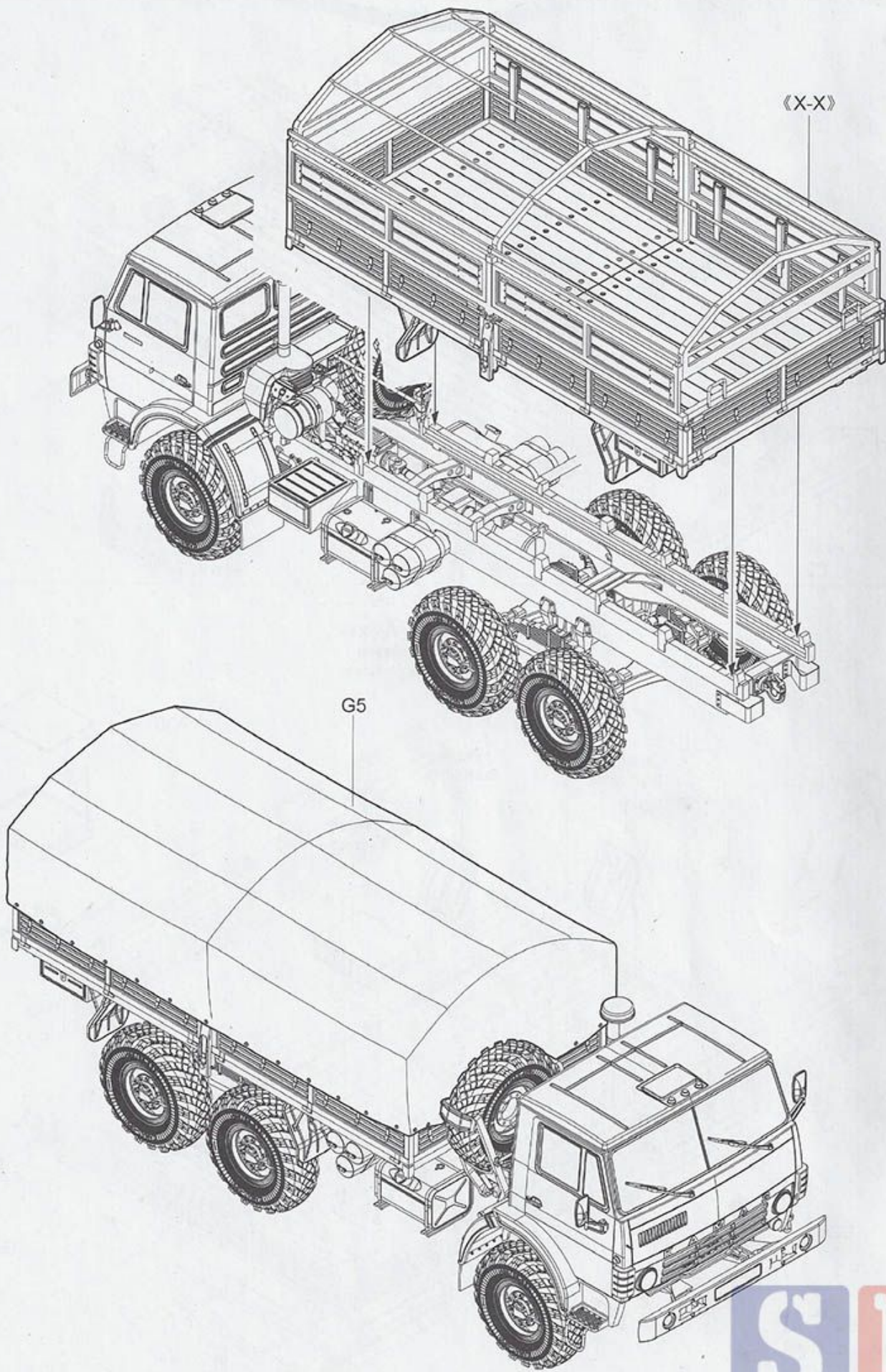


26



27



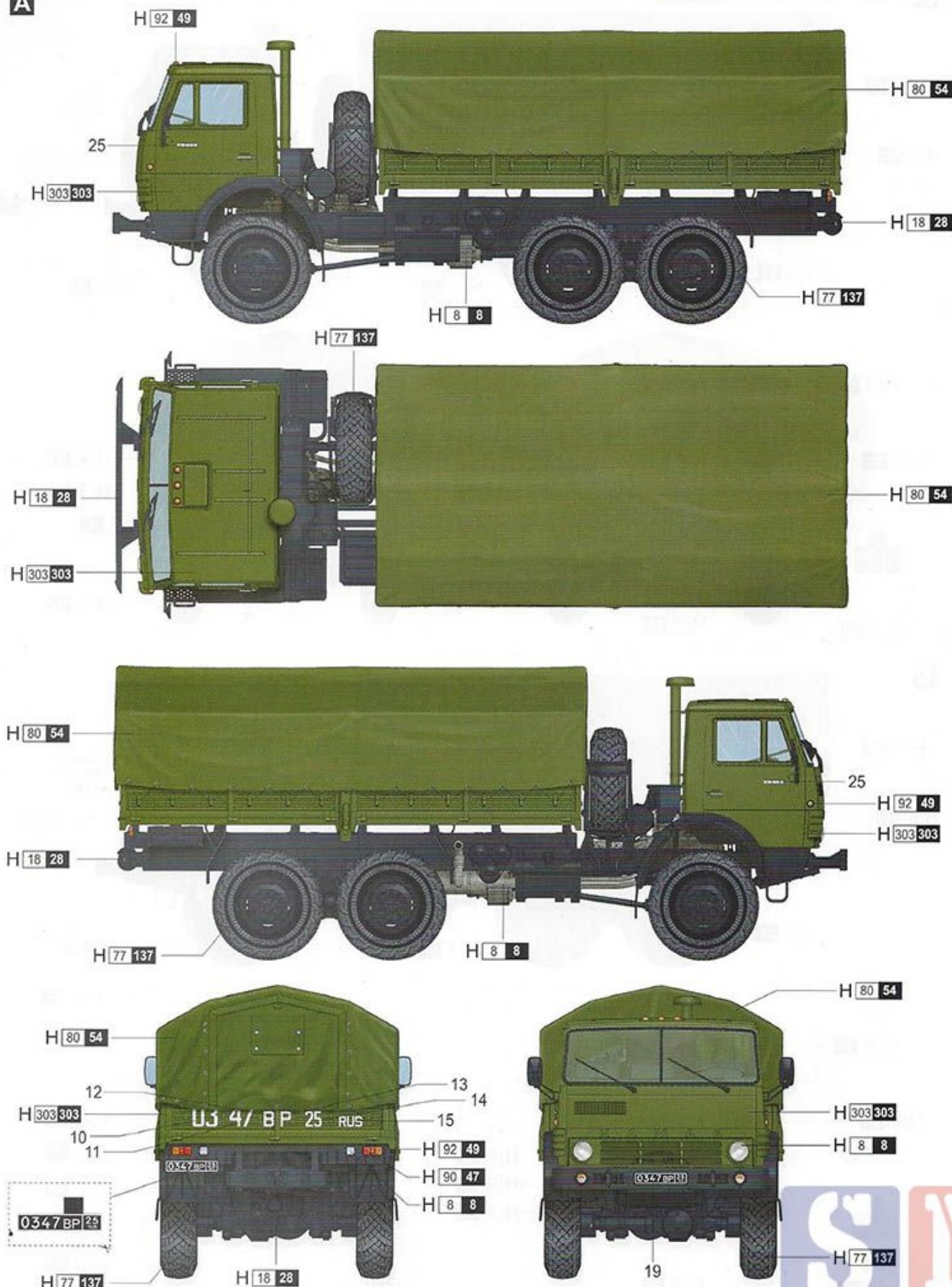


涂装同标贴指示 Painting & Marking guide

PAINT REFERENCE COLOUR					
Color	Mr.Hobby	Vallejo	Model Master	Tamiya	Humbrol
Light Green 绿色	H 303 303	-	1713	XF20	117
Tire Black 胎黑色	H 77 137	-	-	-	-
Sinell 黑铁色	H 18 28	864	1402	-	-

PAINT REFERENCE COLOUR					
Color	Mr.Hobby	Vallejo	Model Master	Tamiya	Humbrol
Clear Orange 透明橙	H 92 49	935	-	X26	-
Clear Red 透明红	H 90 47	934	-	X27	-
Silver 银色	H 8 8	997	1546	X11	11
KHAKI Green 卡其绿色	H 80 54	924	-	XF51	159

A



H AQUEOUS HOBBY COLOR Mr. COLOR

涂装同标贴指示 Painting & Marking guide

PAINT REFERENCE COLOUR

Color	Mr.Hobby	Vallejo	Model Master	Tamiya	Humbrol
Light Green 绿色	H 303 303	-	1713	XF20	117
Tire Black 胎黑色	H 77 137	-	-	-	-
Steel 灰铁色	H 18 28	864	1402	-	-
White 白色	H 1 1	842	1745	X2	22

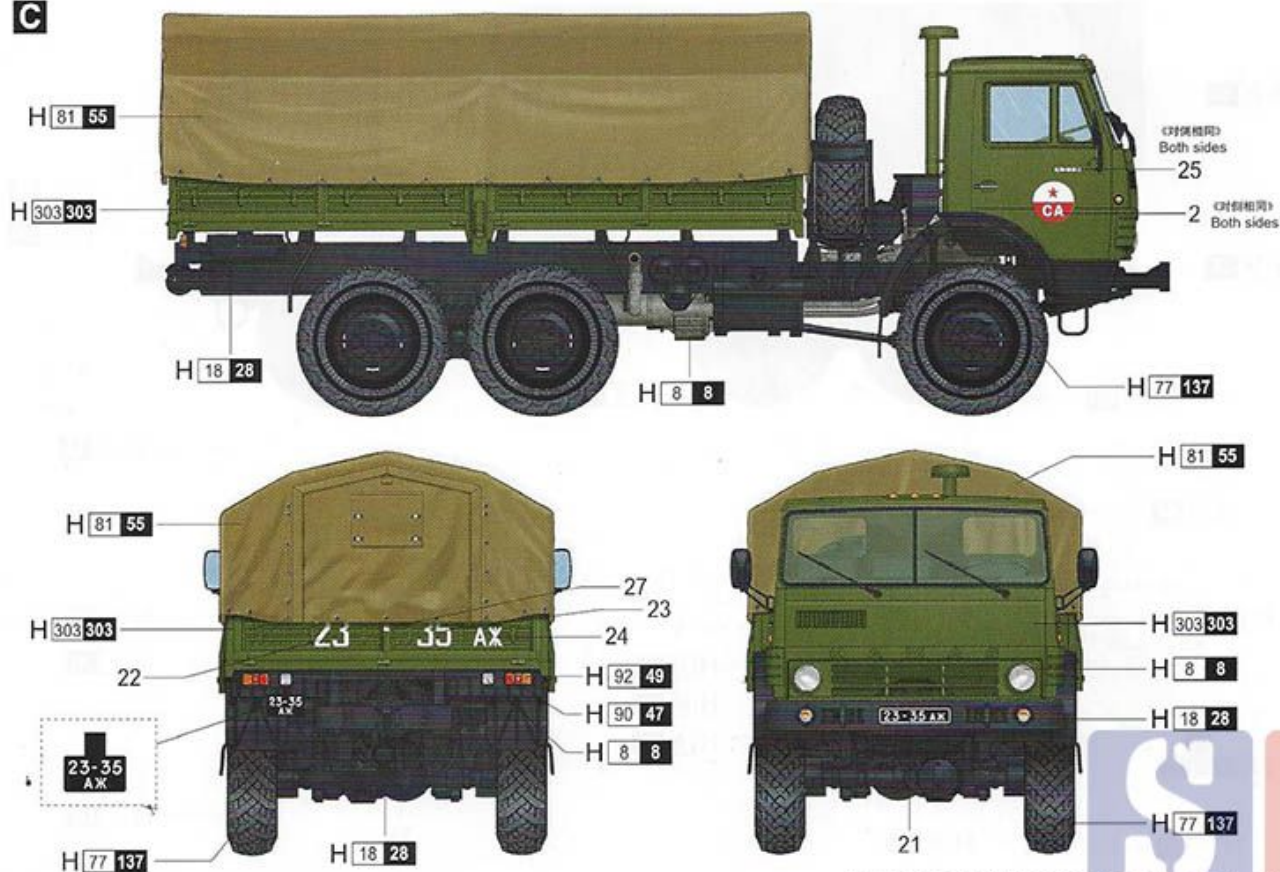
PAINT REFERENCE COLOUR

Color	Mr.Hobby	Vallejo	Model Master	Tamiya	Humbrol
Clear Orange 透明橘	H 92 49	935	-	X26	-
Clear Red 透明红	H 90 47	934	-	X27	-
Silver 银色	H 8 8	997	1546	X11	11
KHAKI 卡其色	H 81 55	988	-	XF49	26

B



C



H X AQUEOUS HOBBY COLOR ■ Mr. COLOR