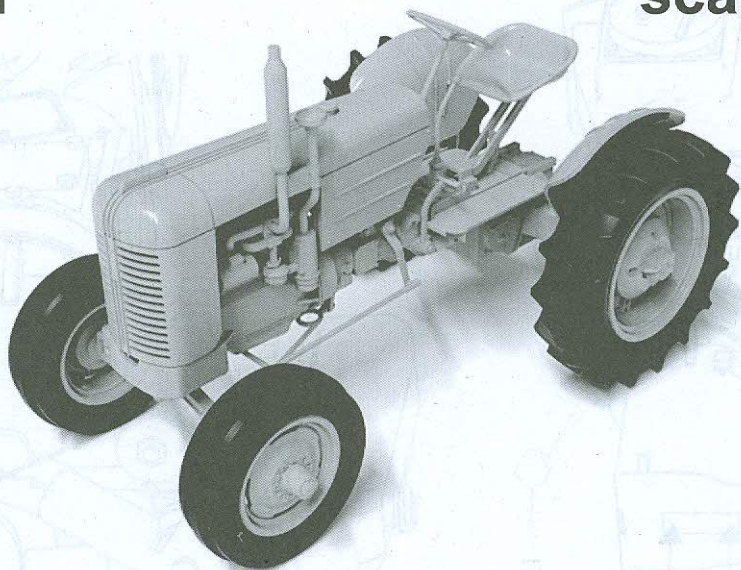


35001

scale 1/35

1:35 比例



US Army Tractor

Go through this assembly guide and understand it before you start kit assembly
Use usual plastic kit's cements and tools (not included in the kit)
Follow painting guide supplied, use only hobby paints
Work carefully with photo etched parts if included, use C/A glues to assemble them

請您在組裝此產品前仔細閱讀組裝指南；
請使用通用塑膠模型黏合劑和工具(本產品不附帶)；
本產品所以提供的噴塗指南只適用本於模型；
如果本產品含有蝕刻套件,請小心仔細處理,請使用C/A膠水組裝；



cut/remove

切下 / 移除



drill hole

鑽孔



no glue

不適用膠水



bend

折彎

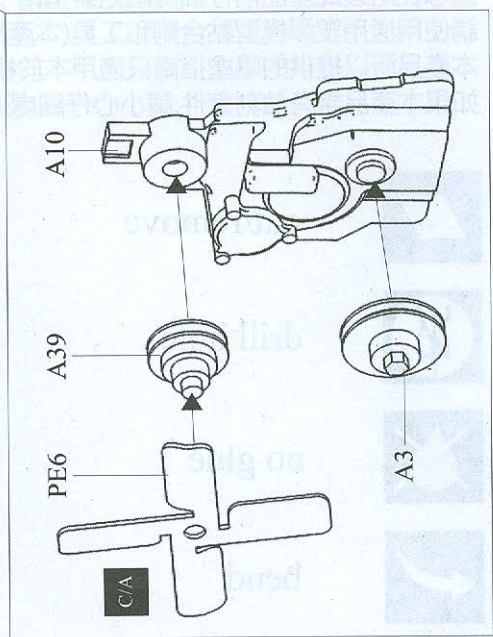
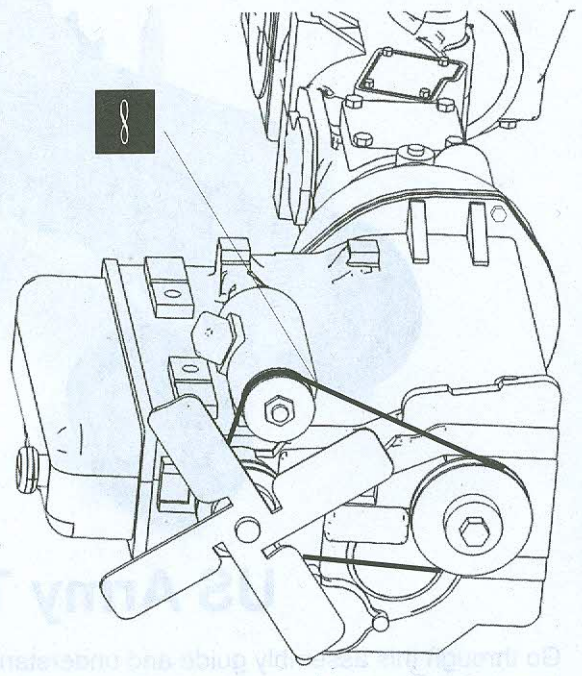
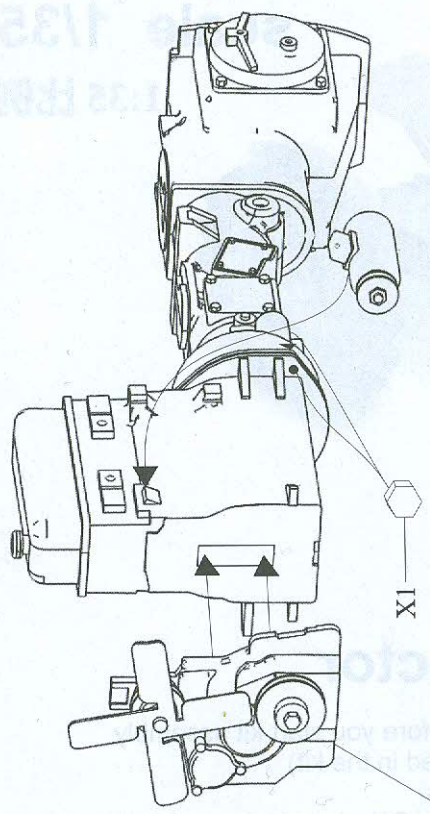
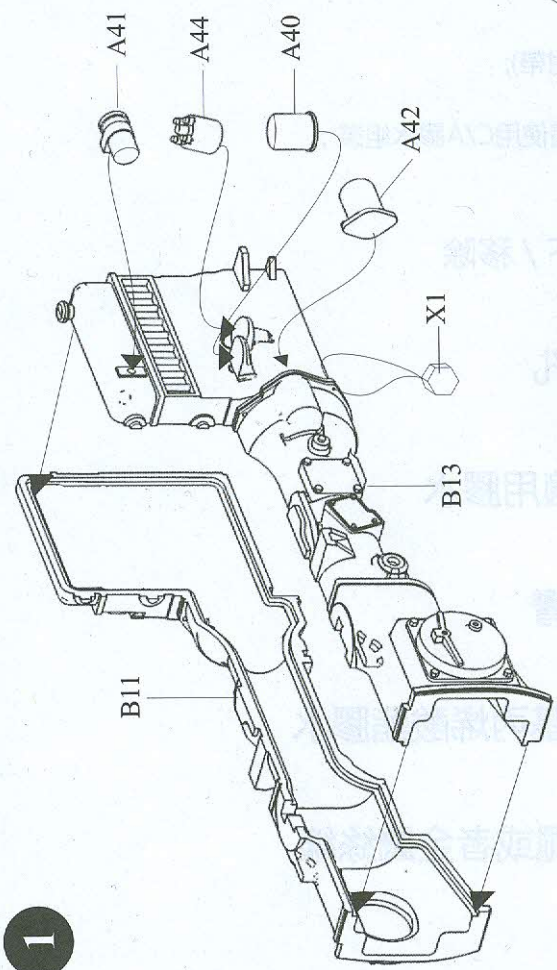


cyanoacrylate glue 氰基丙烯酸酯膠水



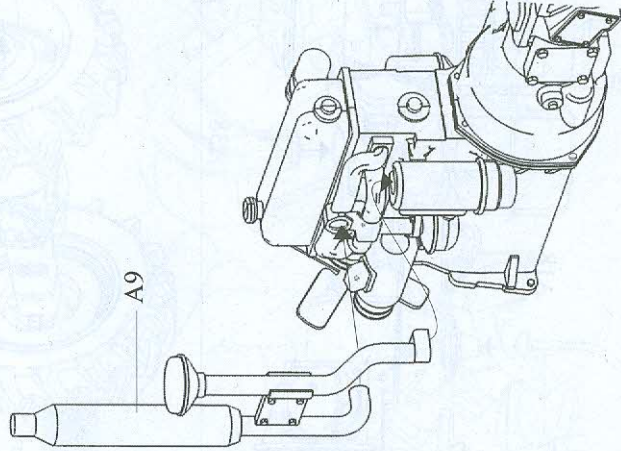
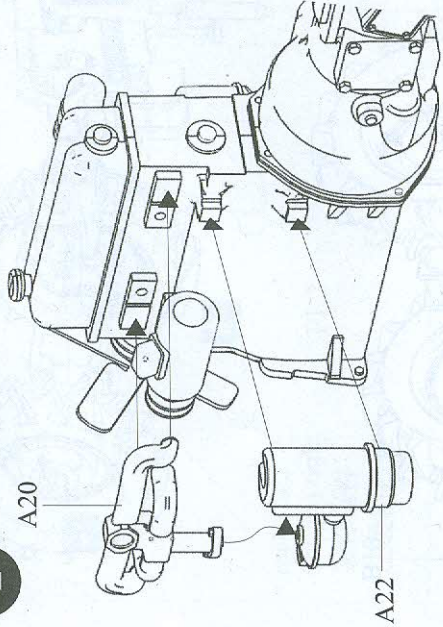
string or wire

細繩或者金屬絲線

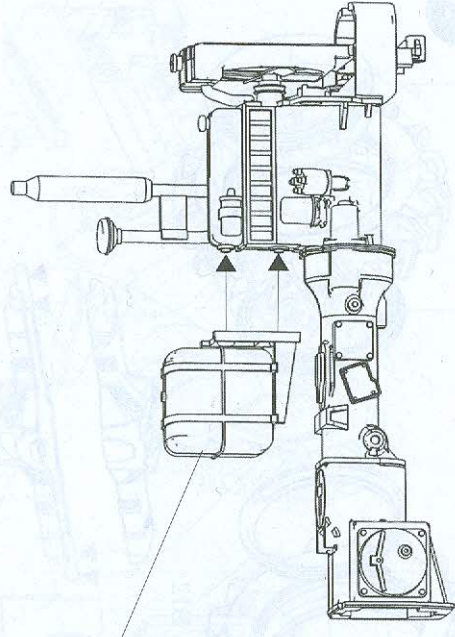
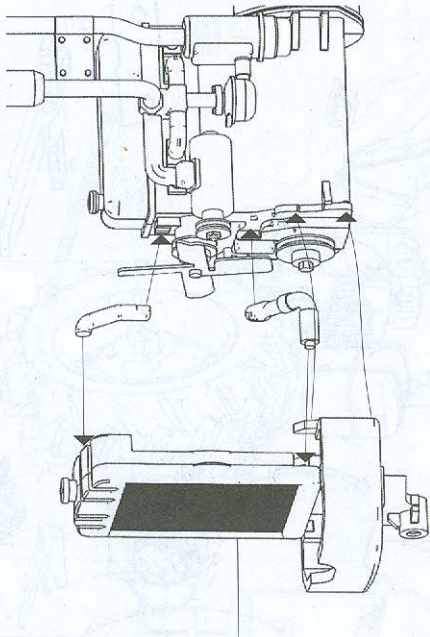
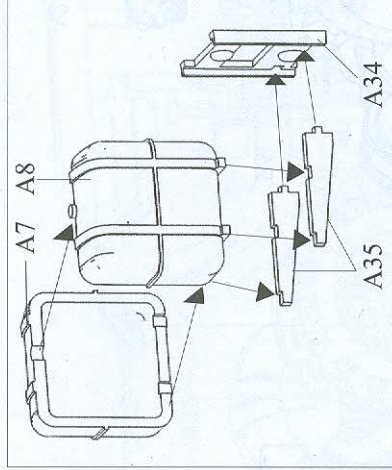
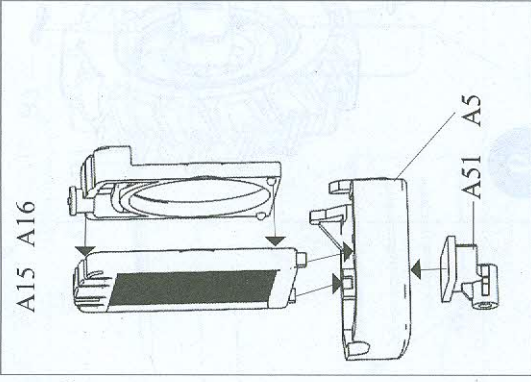


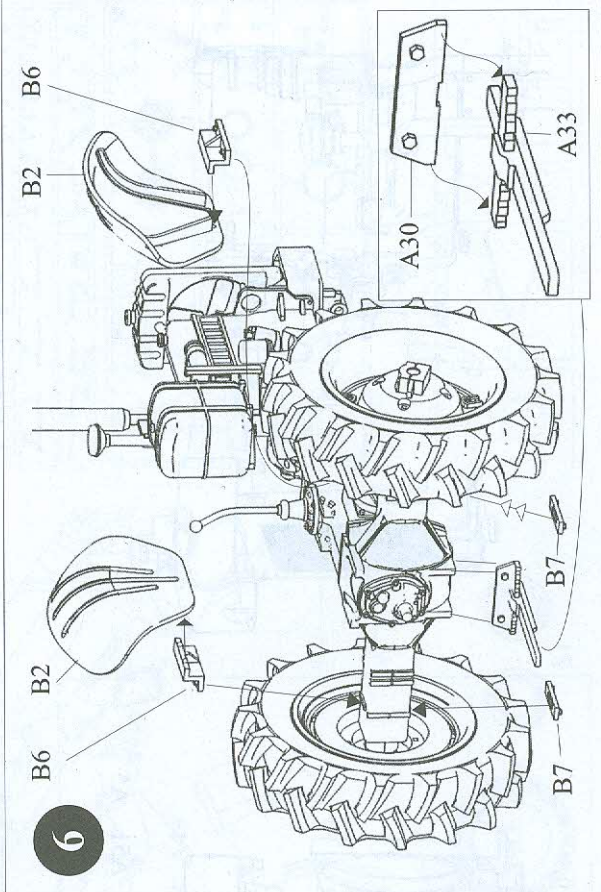
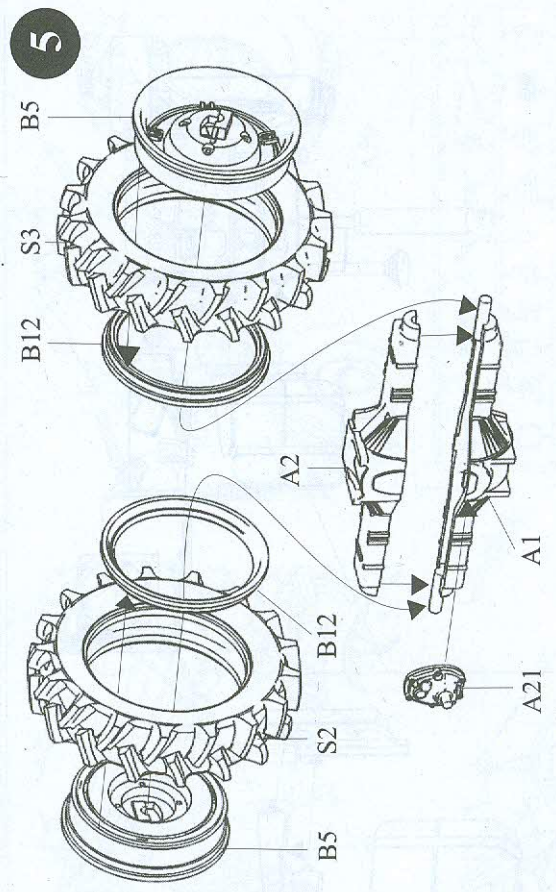
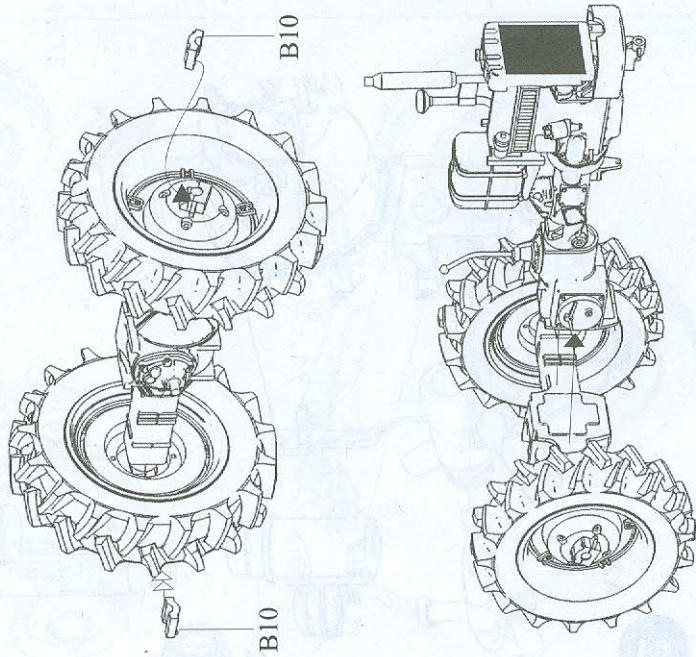
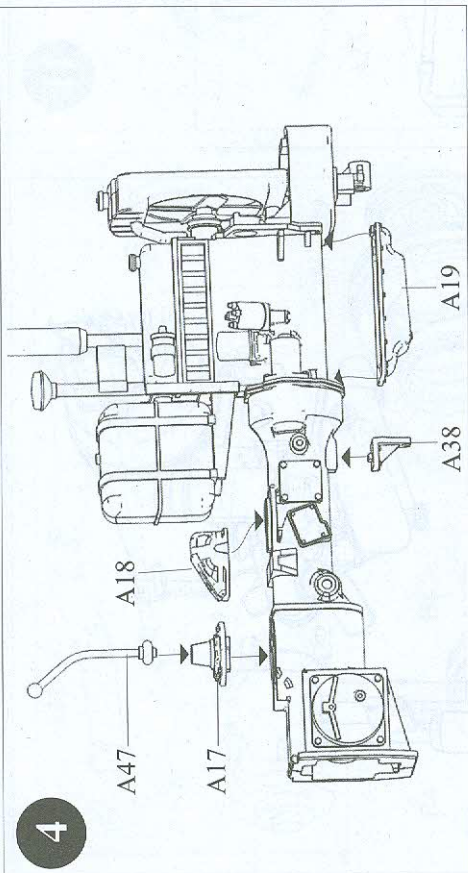
1

2



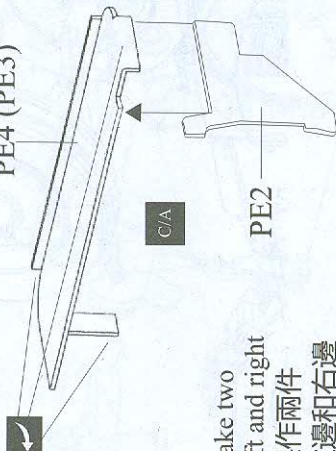
3





7

PE4 (PE3)

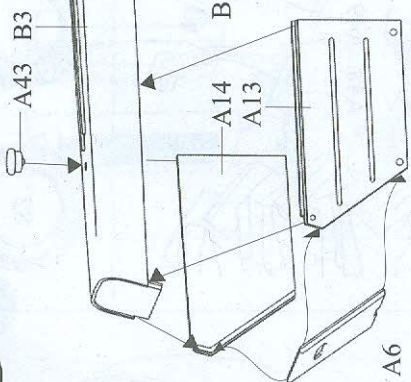


C/A

PE2

make two
left and right
製作兩件
左邊和右邊

8



A43 B3

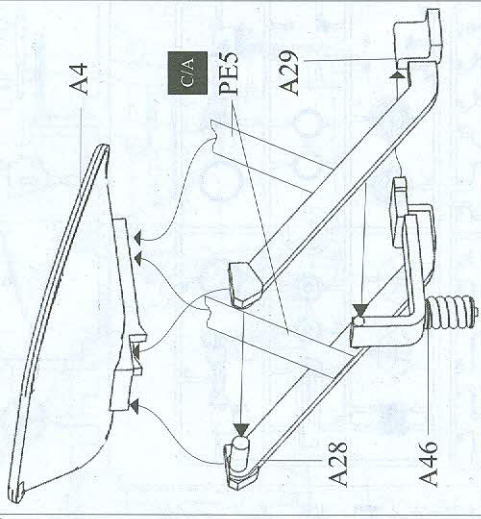
B1

A14

A13

A6

9



A4

C/A

PE5

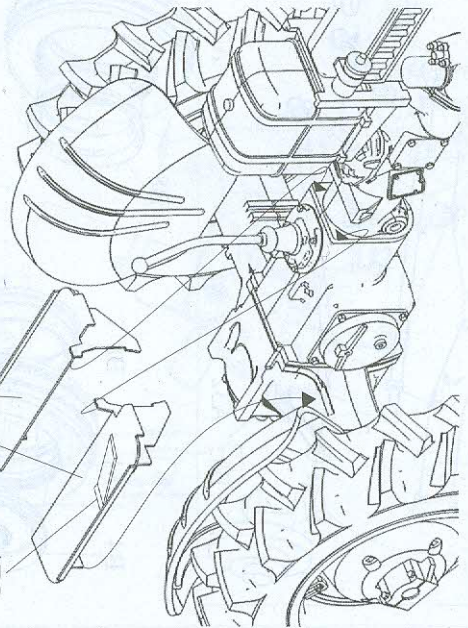
A29

A28

A46

C/A

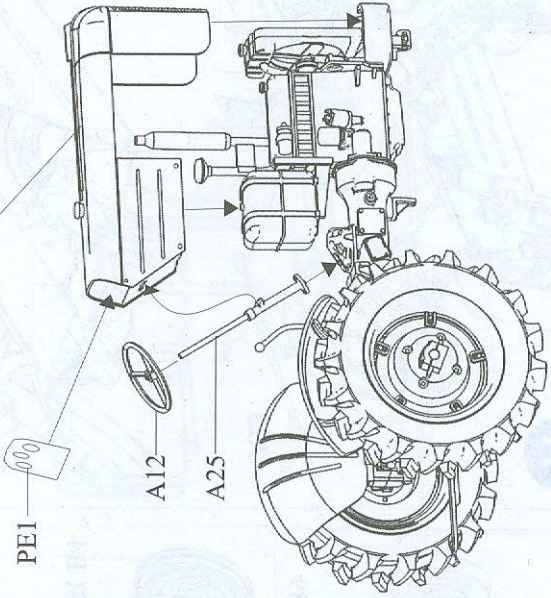
PE7

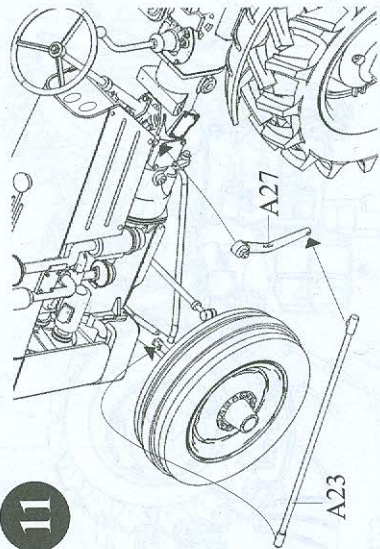
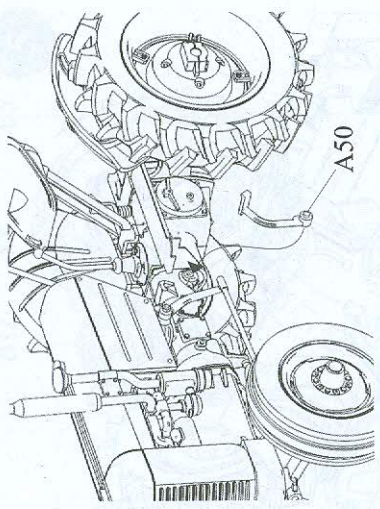


PE1

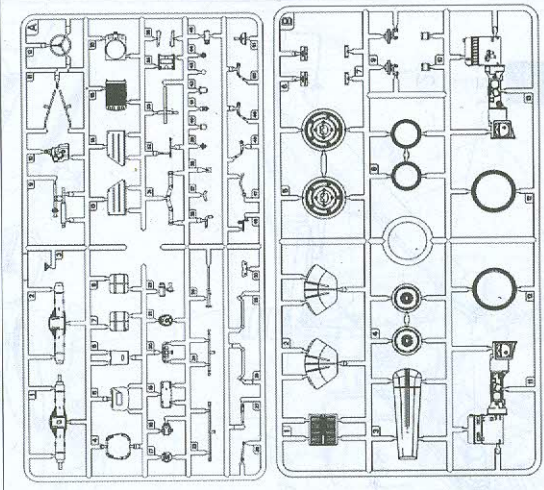
A12

A25

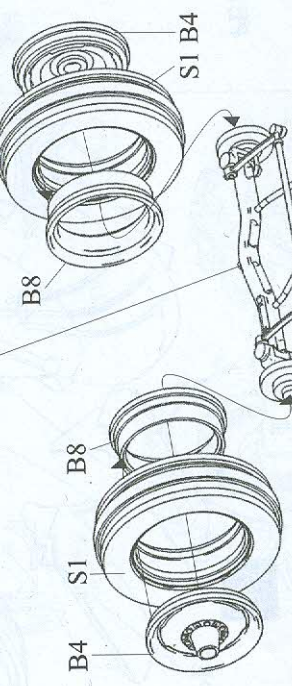
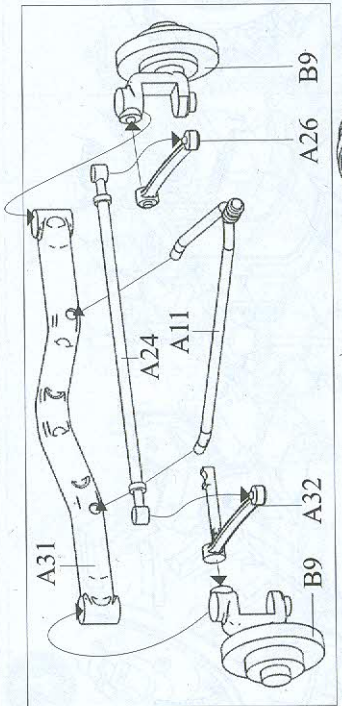
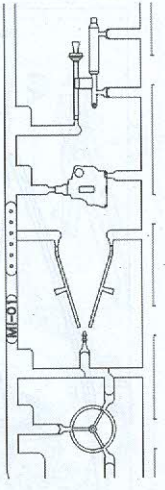




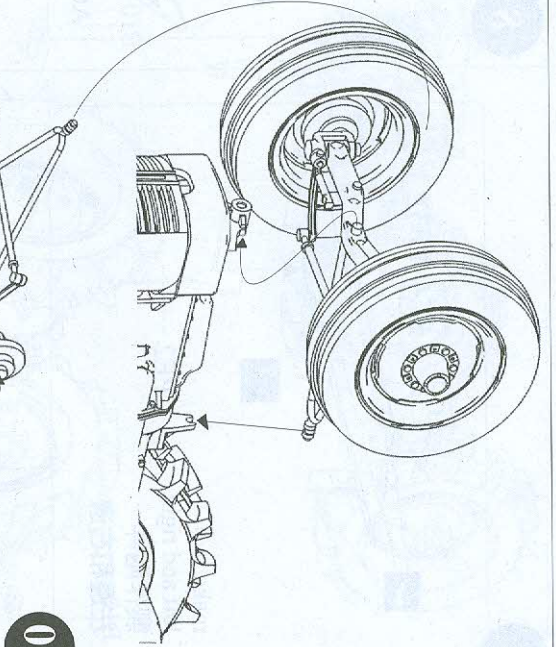
11



XI



10





Color info and profiles by



US ARMY TRACTOR

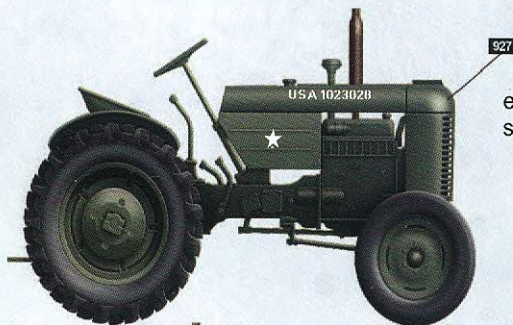
TM 35001

Painting and Marking Guide

A.MIG 033 Rubber & Tires

A.MIG 042 Old Rust

A.MIG 927 Olive Drab Light Base



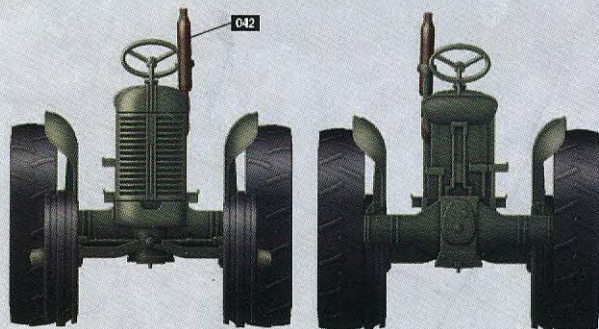
engineering unit
service



USAAF service



instruments
placement on
black
background





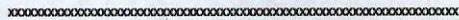
Color info and profiles by



US ARMY TRACTOR

TM 35001

Painting and Marking Guide



A.MIG 033 Rubber & Tires	A.MIG 042 Old Rust	A.MIG 129 Orange
--------------------------	--------------------	------------------

