

BTM-3 High-Speed Trench Digging Vehicle

BTM-3快速挖壕工程车

READ BEFORE ASSEMBLY:

- Study and understand these instructions thoroughly before beginning assembly
- When needed, remove photo-etch parts carefully using a modeling knife or photo etch sprue cutter, being careful not to damage or lose small parts.
- Take extra care in handling photo etch parts in order to avoid injury
- Apply instant cement sparingly to photo etch parts where instructed
- Tools recommended(not included in kit):Plastic and instant cements, sprue cutters,long nose pliers,modeling knife, small files, tweezers, pin vise & scissors. Soft cloth and sandpaper will also assist in construction
- Glue and paint are not included in the kit. Use plastic cement and hobby paints only. Color guide for purchasing paint is included in the kit.

装配之前仔细阅读

- 小心用模型锉刀锉平所有零件表面的注射浇口。
- 小心用刀片切下蚀刻片零件，不要遗失小零件。
- 用强力快干胶水粘合蚀刻片零件和金属轴。过量快干胶水使用可能导致可动零件会粘住，小心涂胶。
- 取蚀刻片时应特别注意安全，防止利边划伤手指。
- 某些零件表面需贴水上贴纸，请选择在装配的同时进行。
- 推荐模型工具(自备)：胶水，水口剪刀，长咀钳，刀片，锉刀，镊子，钳，钻，剪刀，瞬间快干胶。
- 软布同砂纸同时也应该是必备工具。
- 请使用塑料胶水和油漆，模型内不含。



配重
Weight



使用强力胶
Cyanoacrylate glue



钻孔
Make hole



切除
Cut / Remove



贴纸
Decal



锉平
File / Sand



选择
Option



不涂胶水
No cement



弯曲
Bend



先装
Install it first

水贴纸的使用:

- 1.从水贴纸上剪下印花;
- 2.将印花放入温水中浸10秒, 然后放在干净布上。
- 3.拿着印花纸板将印花移到模型上;
- 4.手指蘸水将印花移到适当的位置;
- 5.用软布轻压印花直至水干, 气泡消失

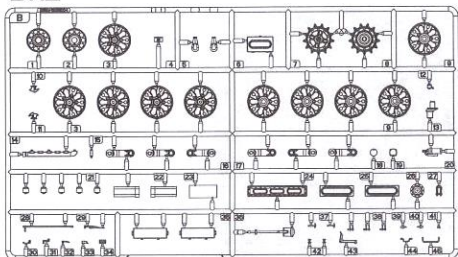
DECAL APPLICATION

- 1.Cut decals from sheet as needed
- 2.Dip the decal in warm water for about 10 seconds and then place on soft clean cloth.
- 3.Hold the decal backing sheet edge and gently slide the decal onto the model in its proper position.

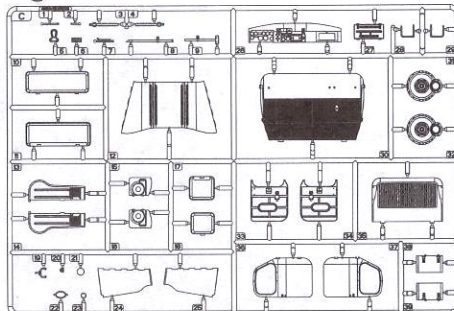
- 4.While still wet,decal can be adjusted for better fit on model by dampening it gently with your finger.
- 5.When placed in the proper position,gently press decal down with a soft cloth until excess water and air bubbles are gone.
- 6.Allow decal to dry completely before handling model

部品图 Parts

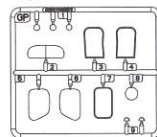
Bx2



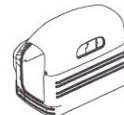
C



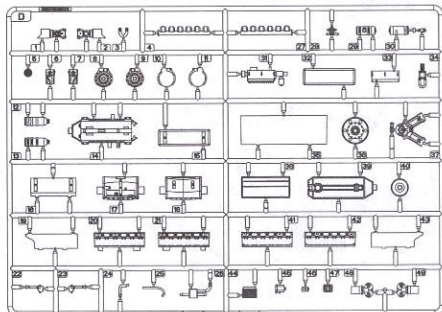
GP



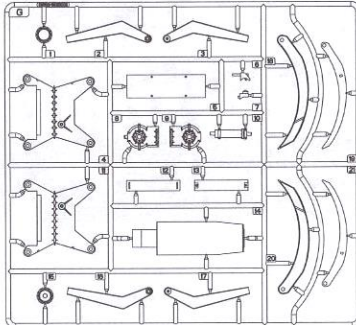
《驾驶室》
Cab



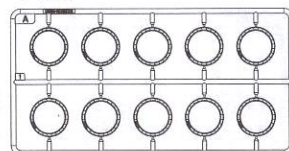
D



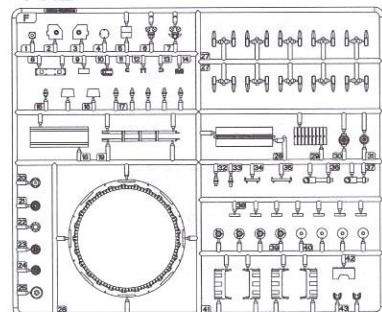
G



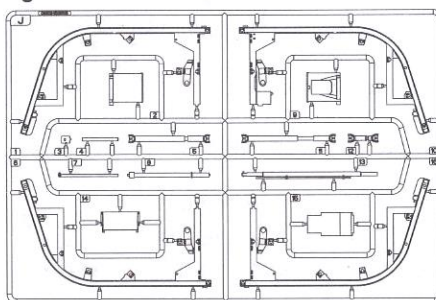
Ax2



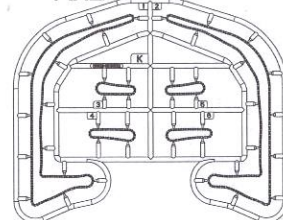
Fx2



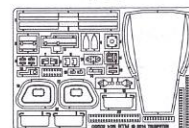
J



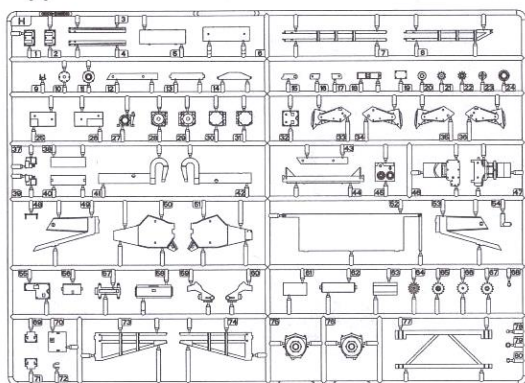
Kx2



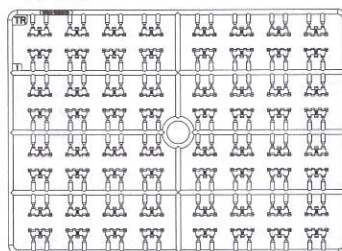
《蚀刻片》
PE



H



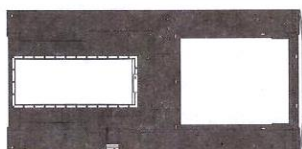
TRx3



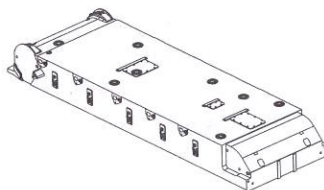
《铜缆》
Brass wire



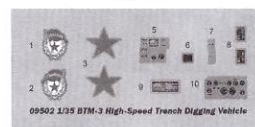
《车面》
Upper hull



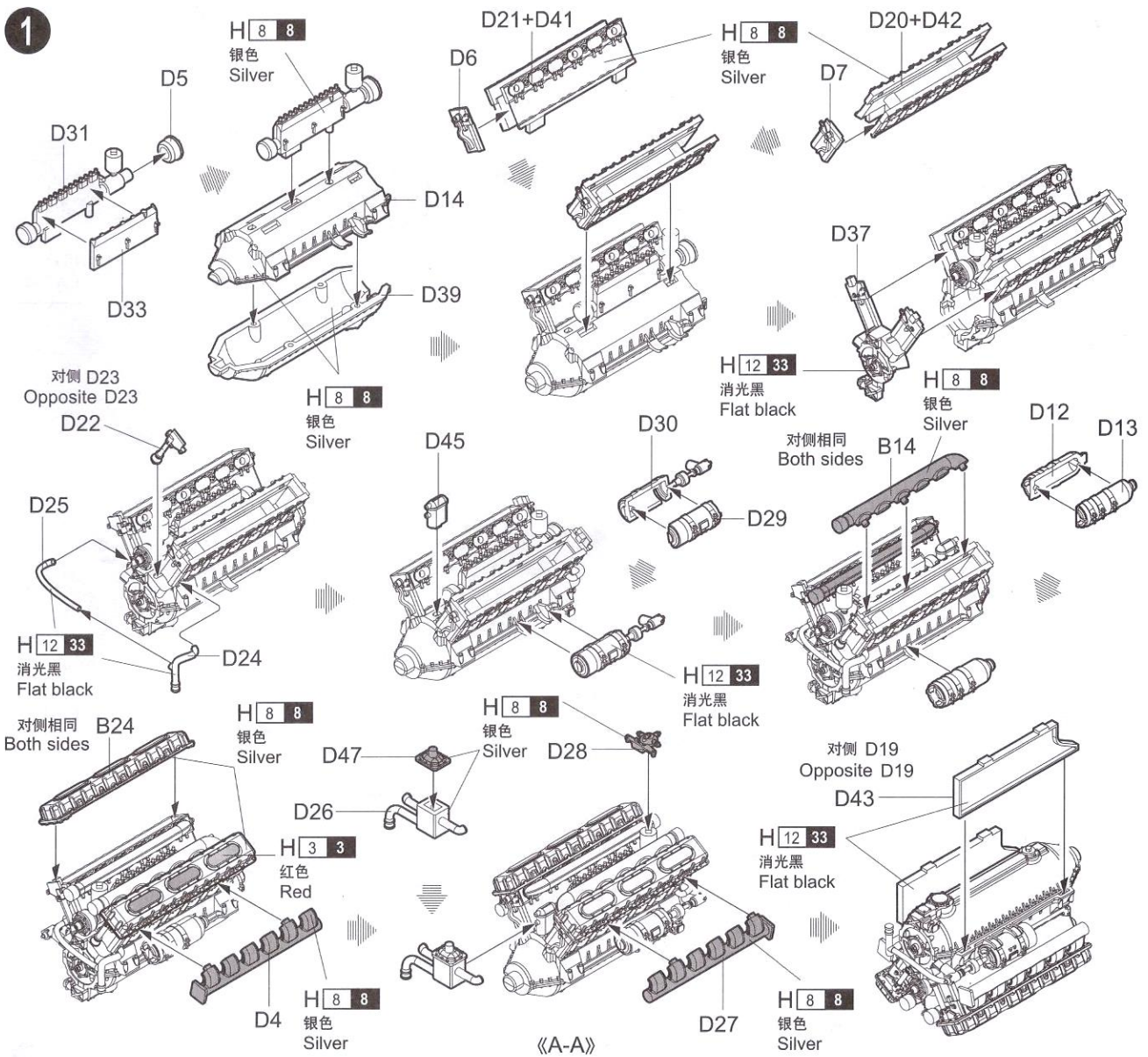
《车底》
Lower hull



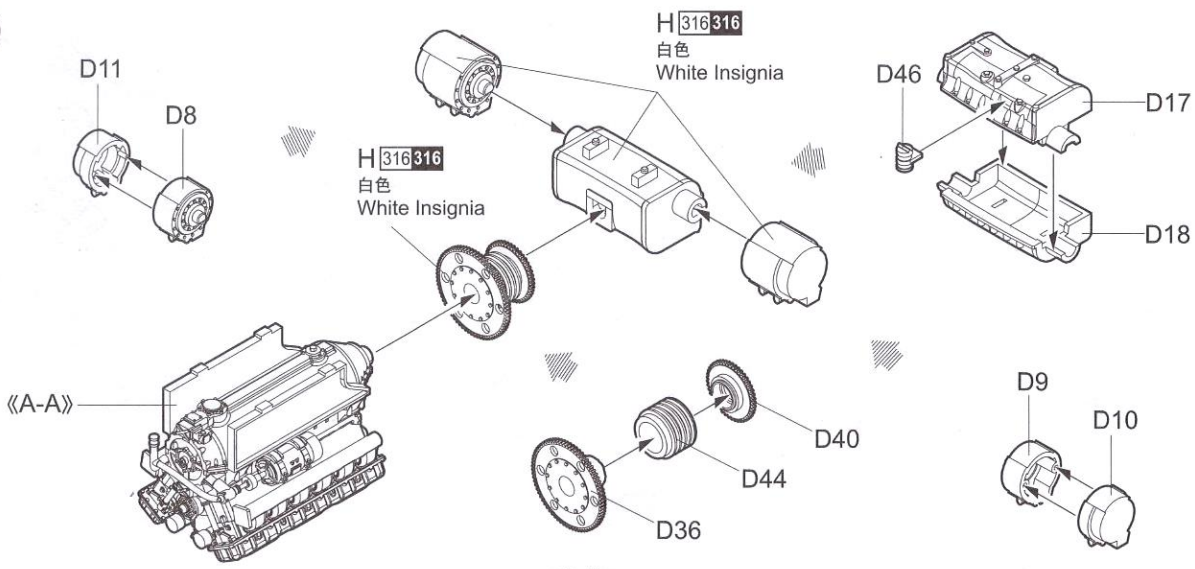
《水贴》
Decal



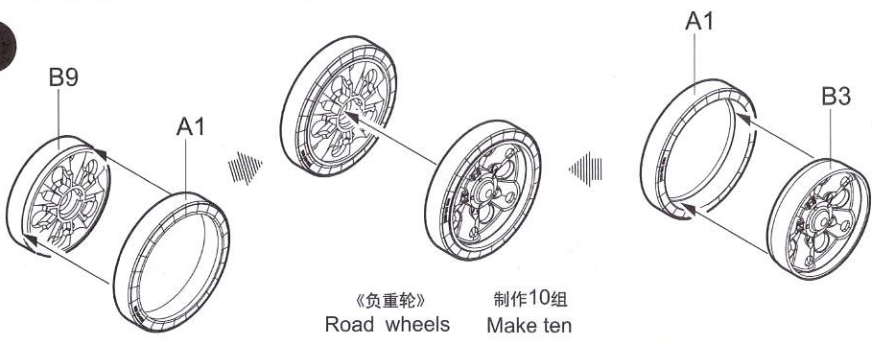
1



2



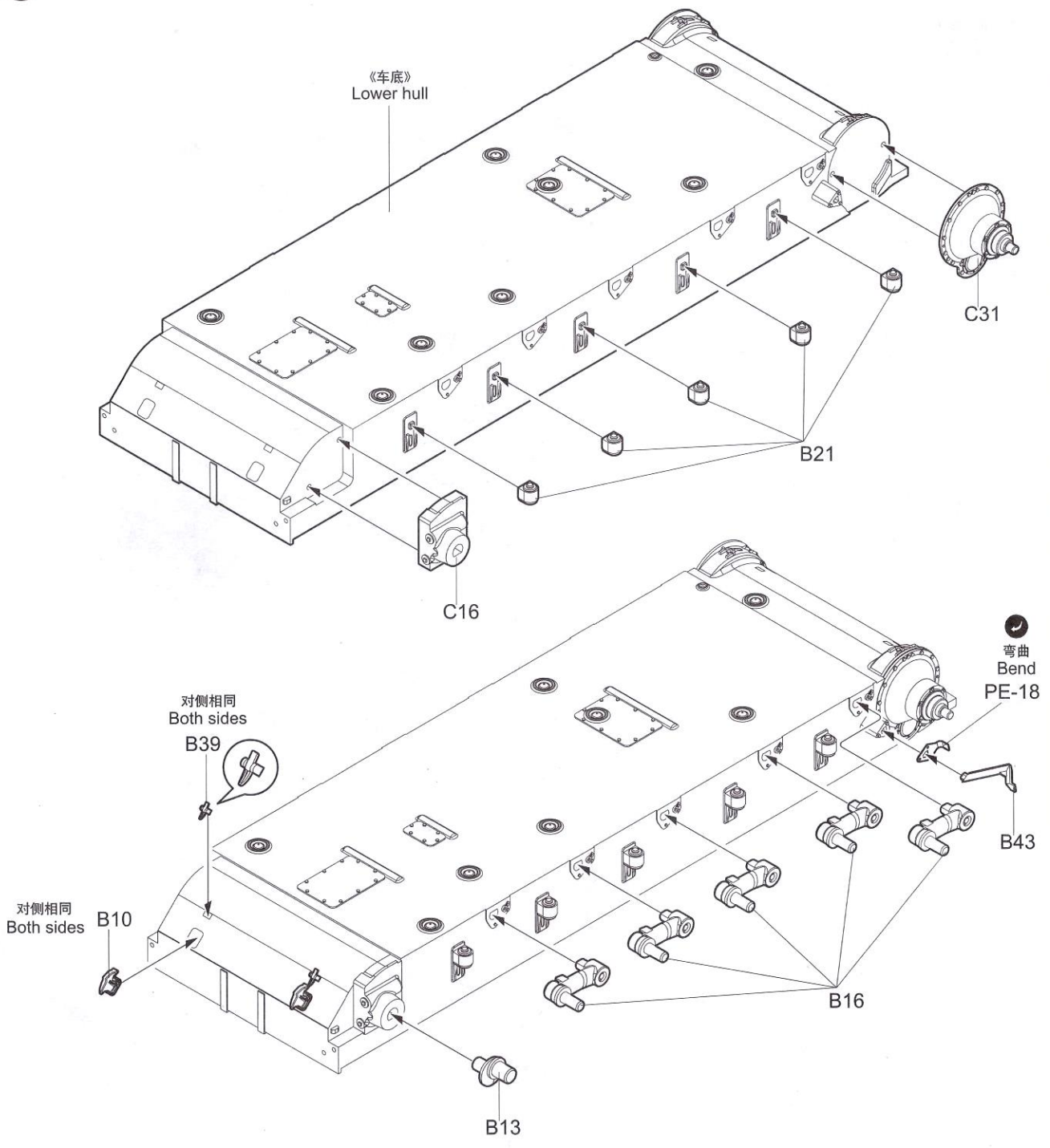
3



《负重轮》 制作10组
Road wheels Make ten

《主动轮》 制作2组
Sprocket wheels Make two

4

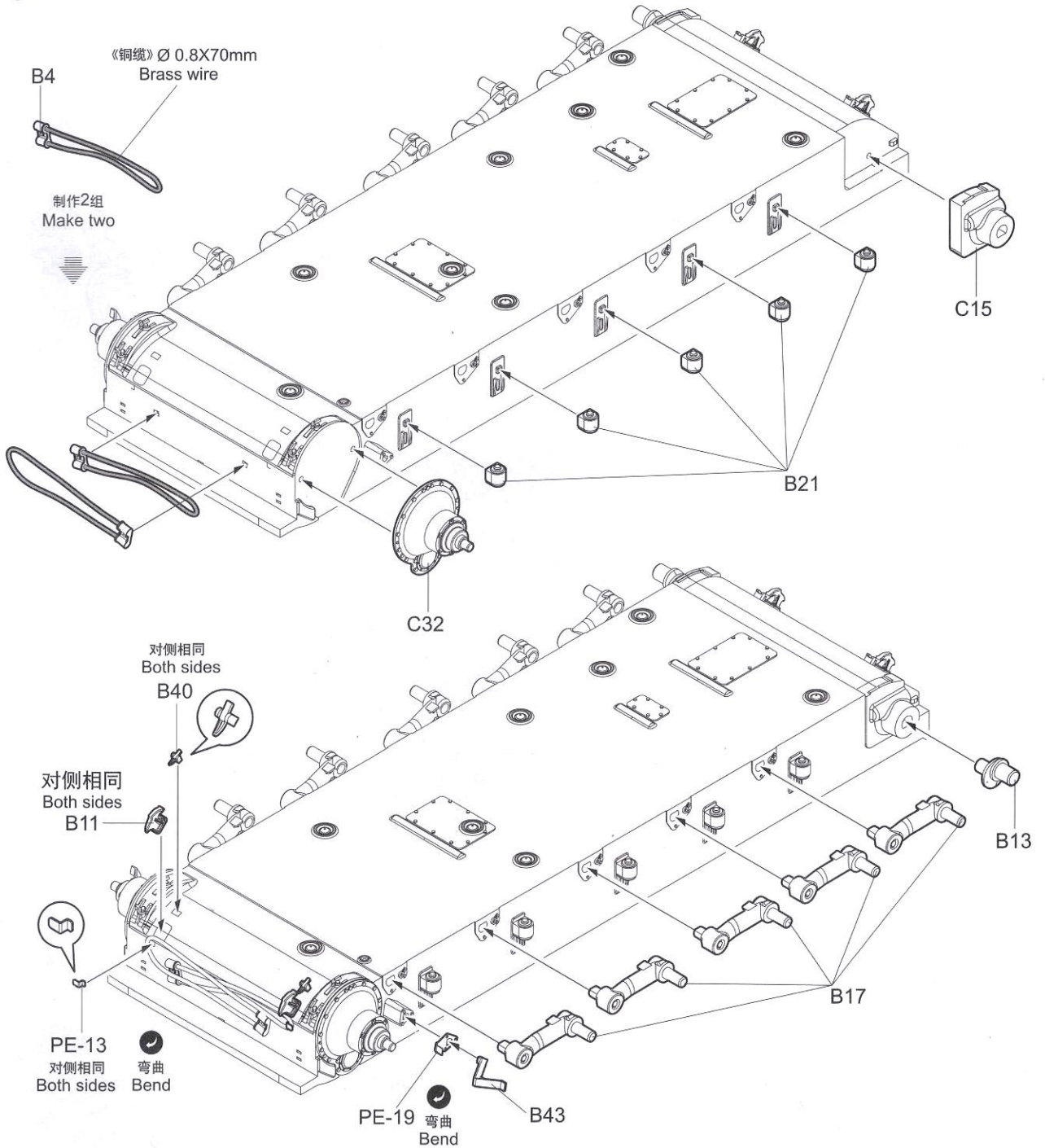


对侧相同
Both sides

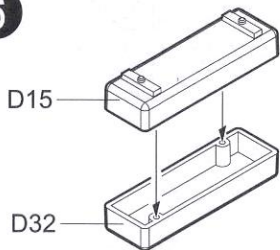
对侧相同
Both sides

弯曲
Bend
PE-18

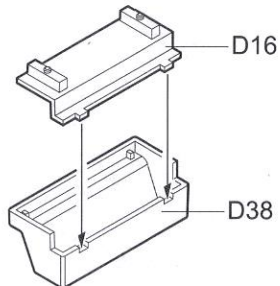
5



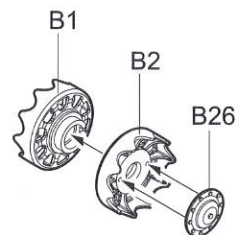
6



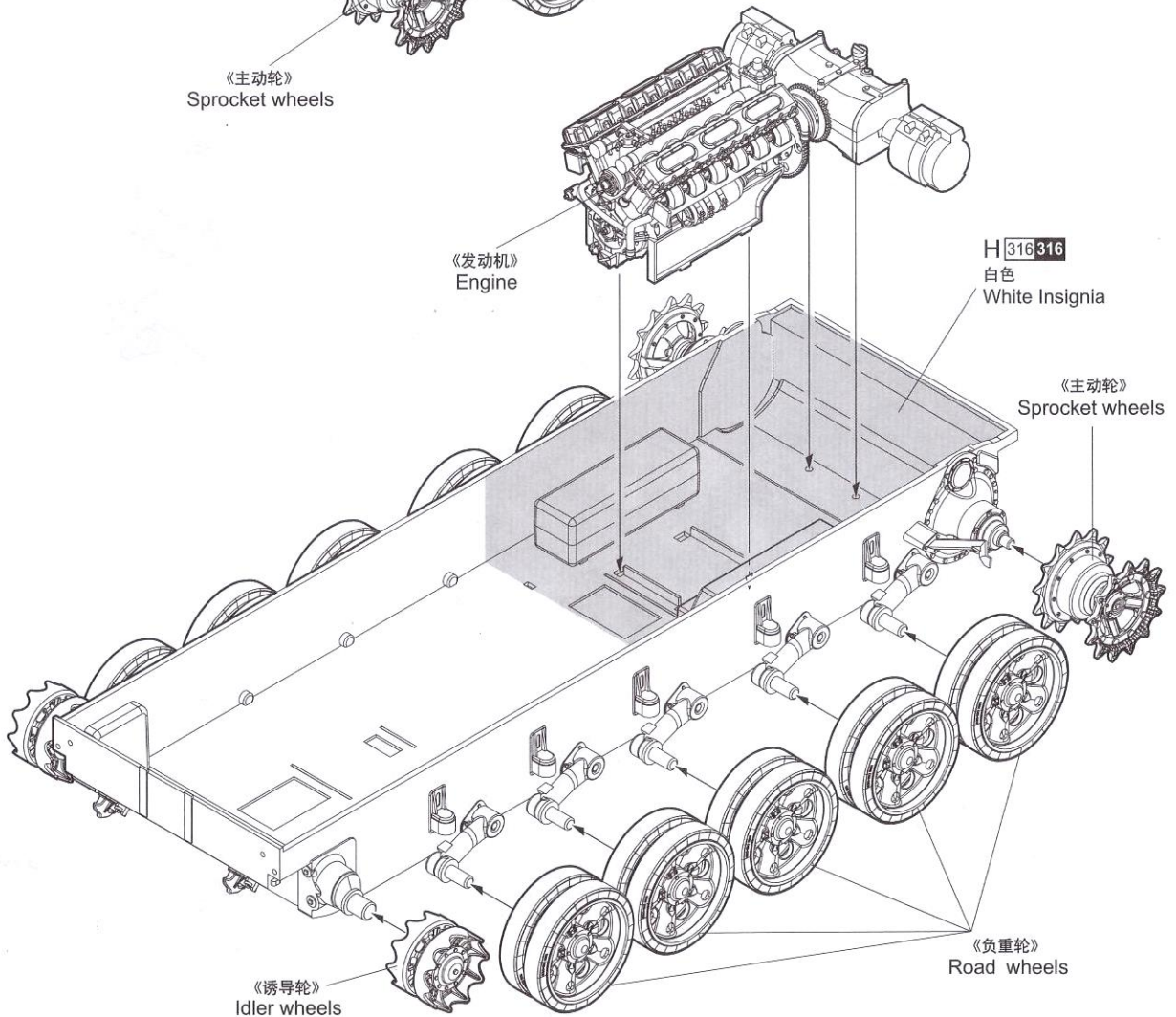
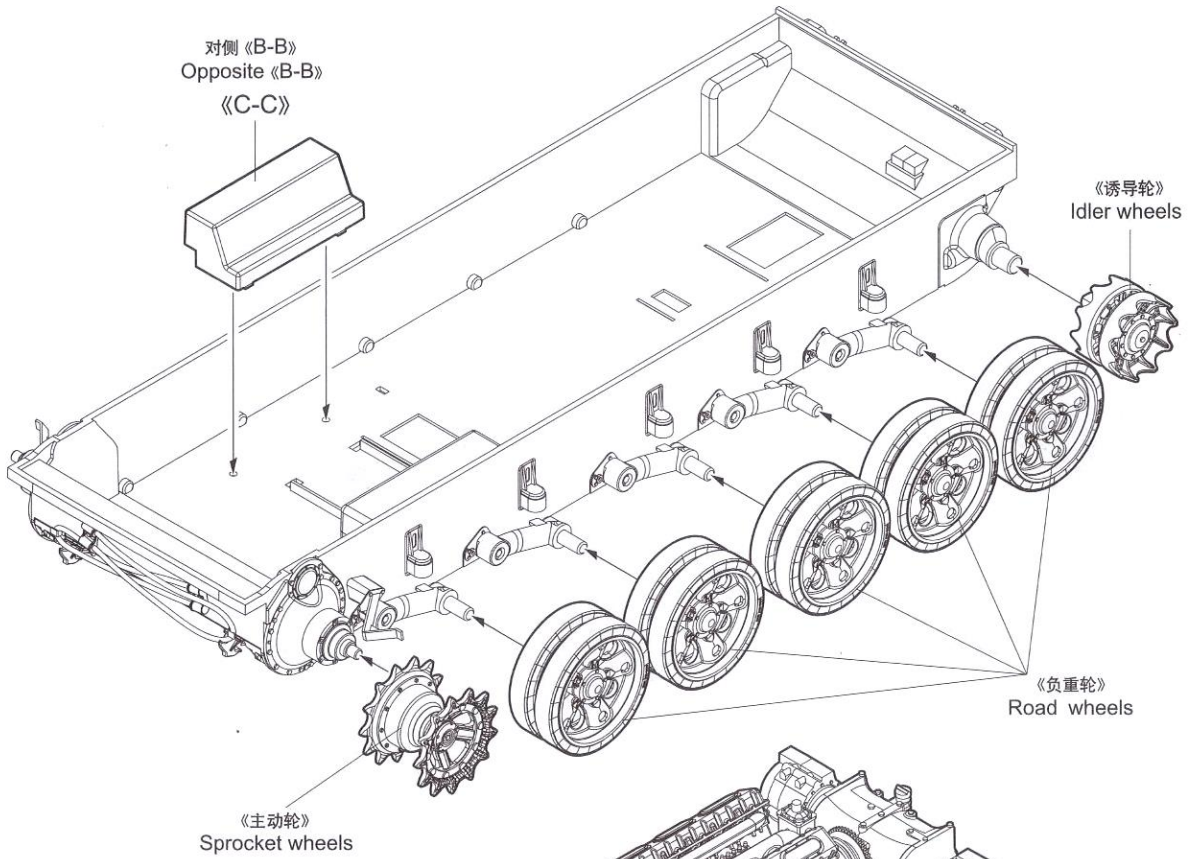
《B-B》



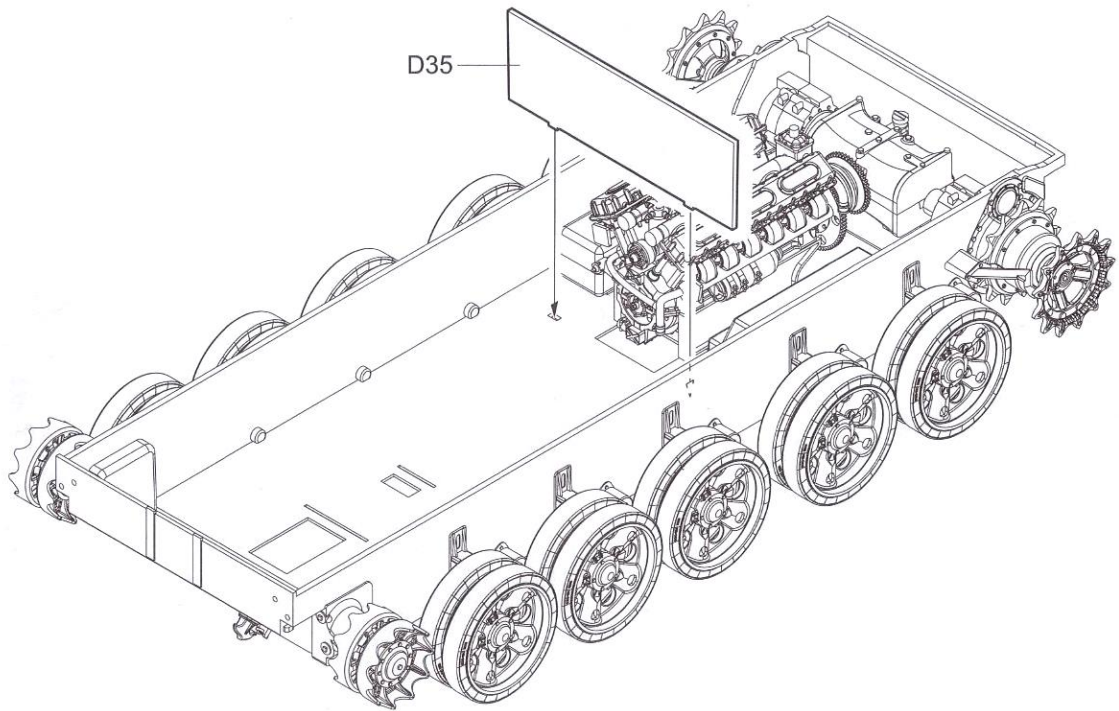
《C-C》



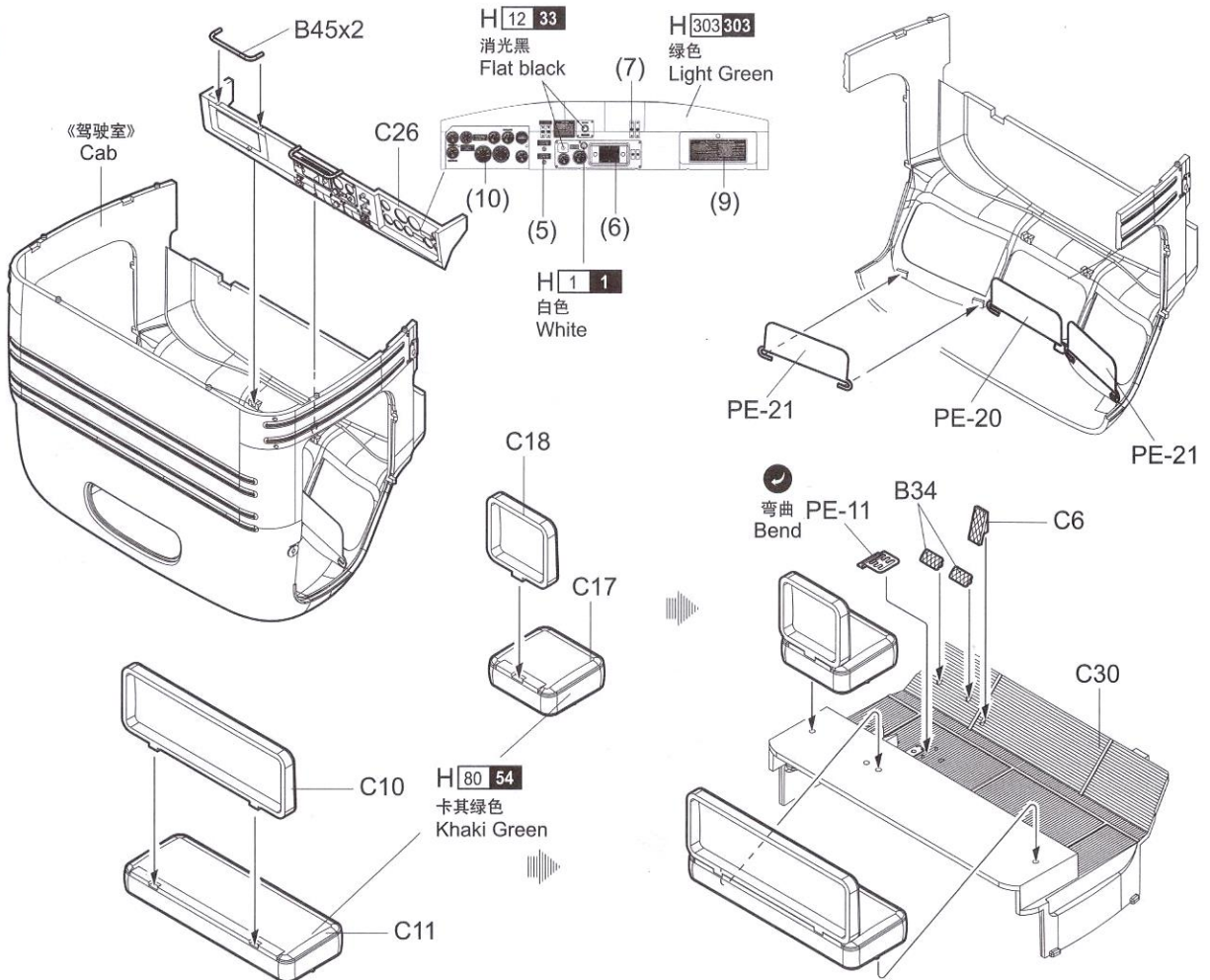
《诱导轮》
Idle wheels
制作2组
Make two



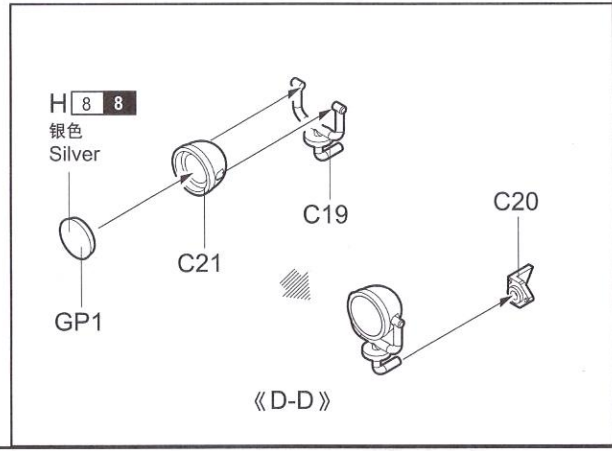
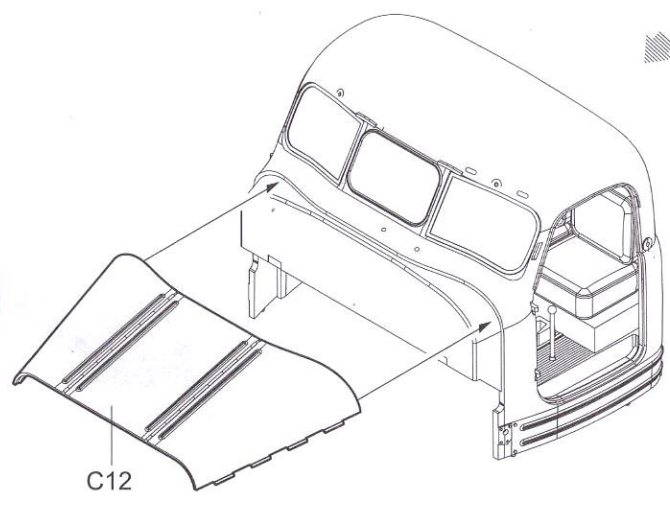
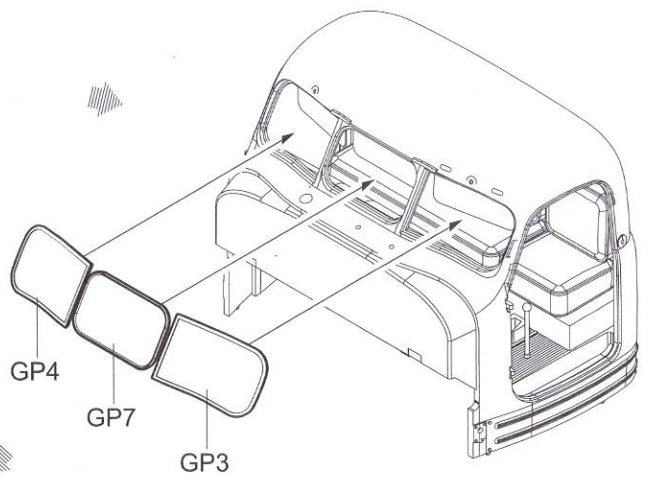
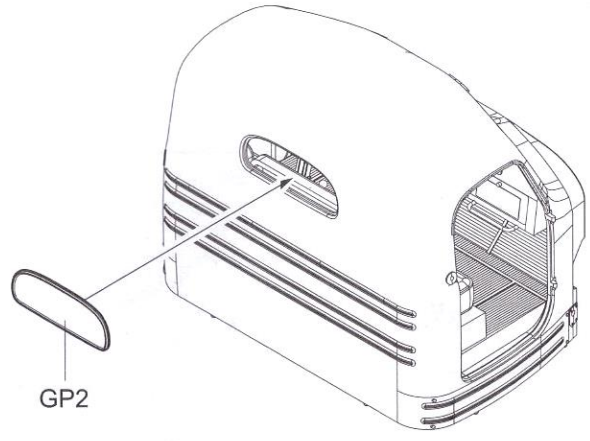
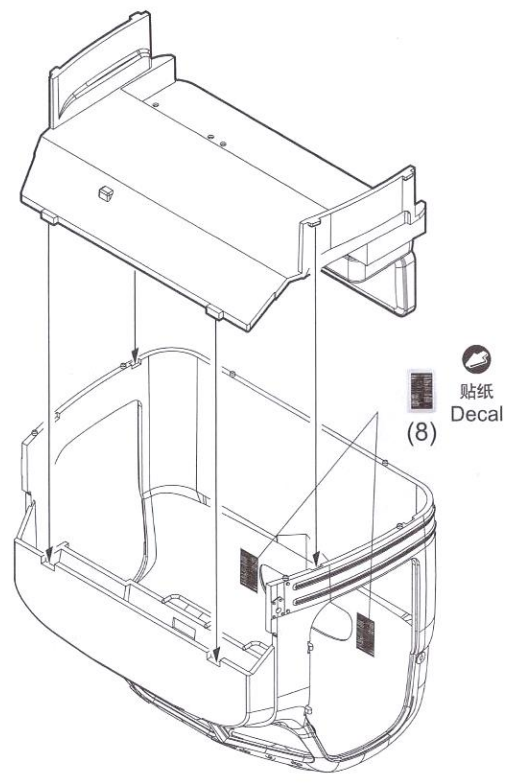
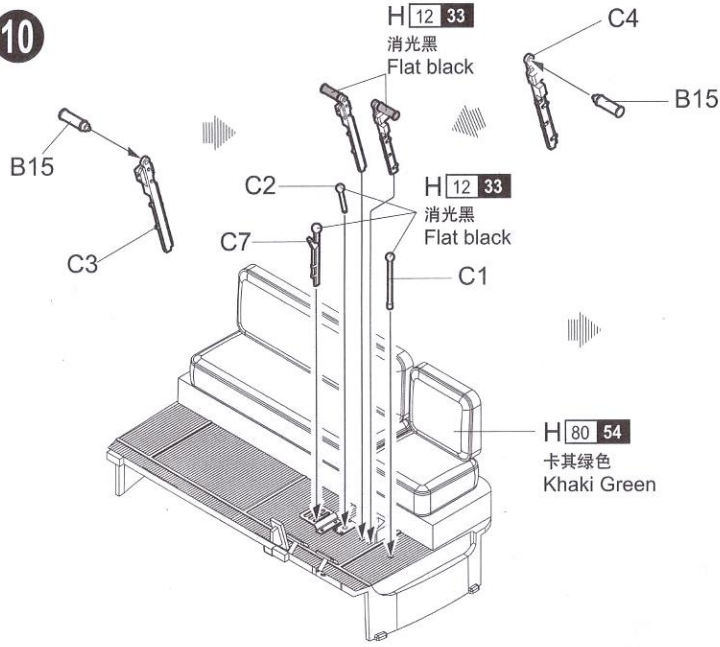
8

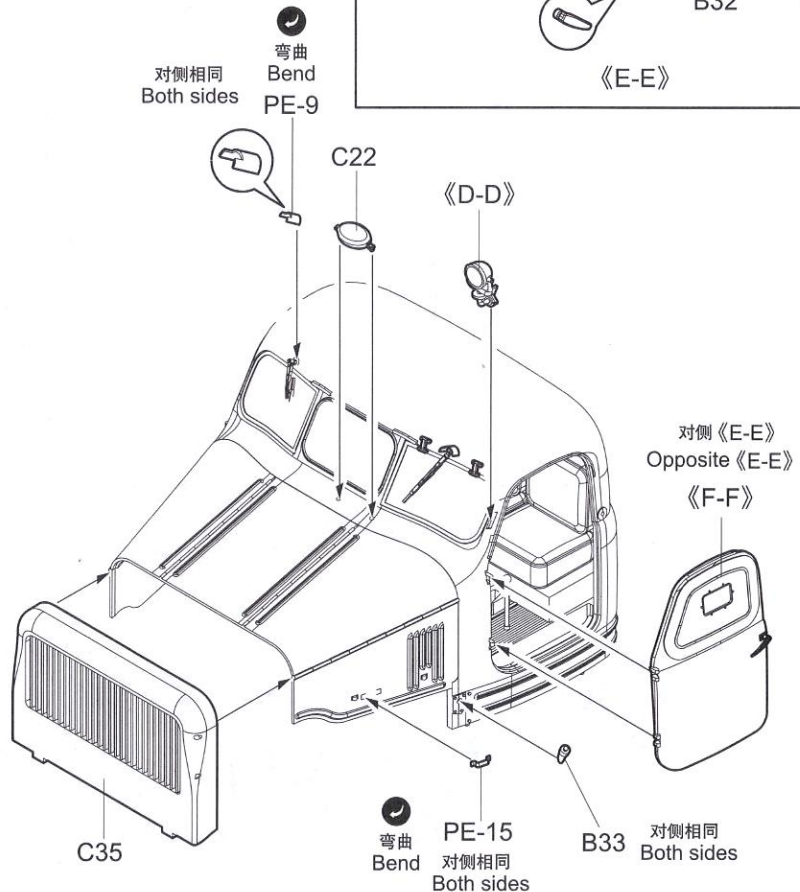
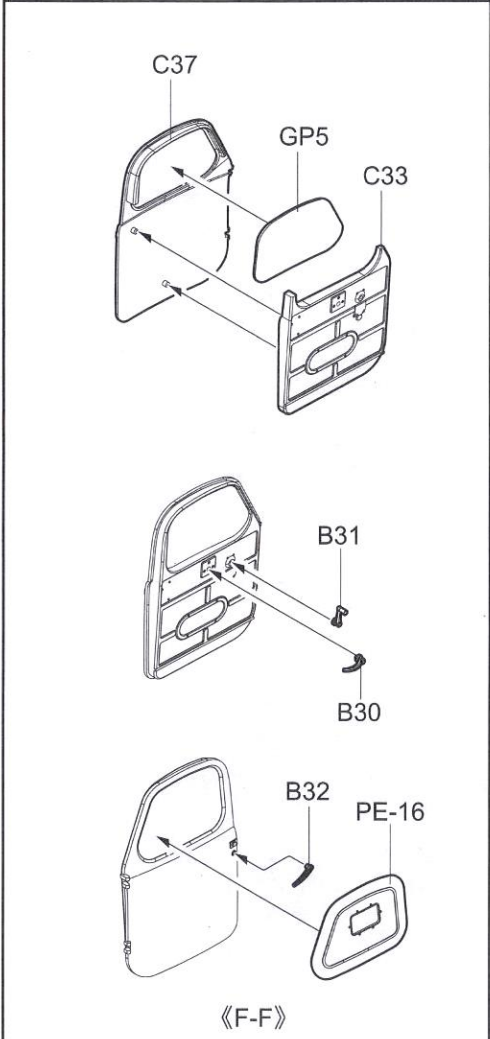
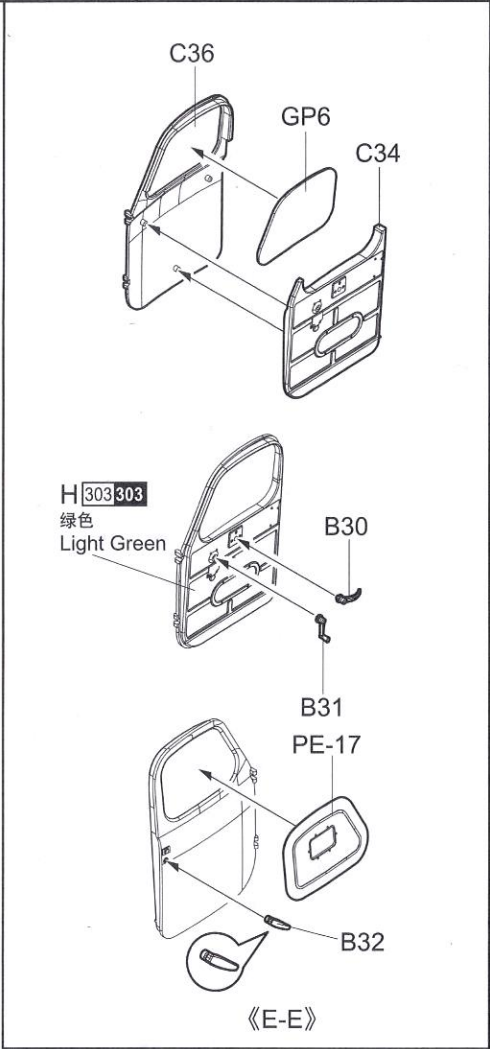
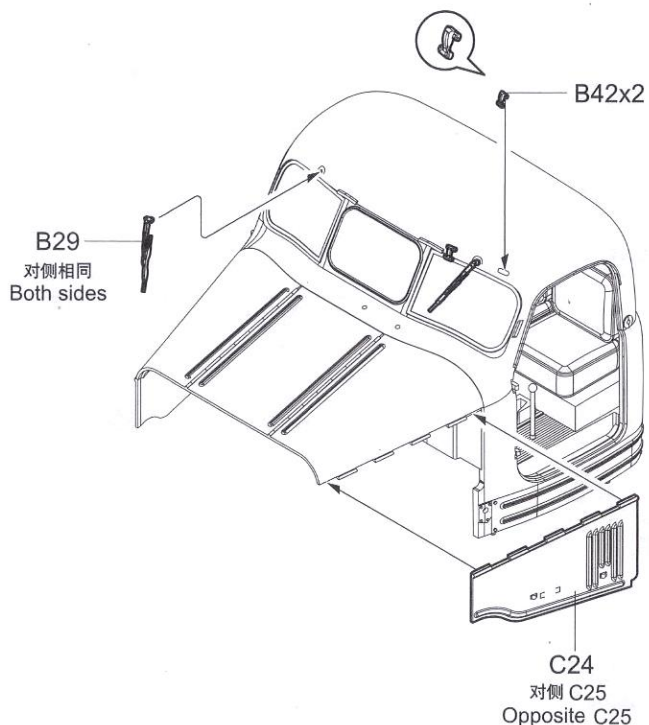


9

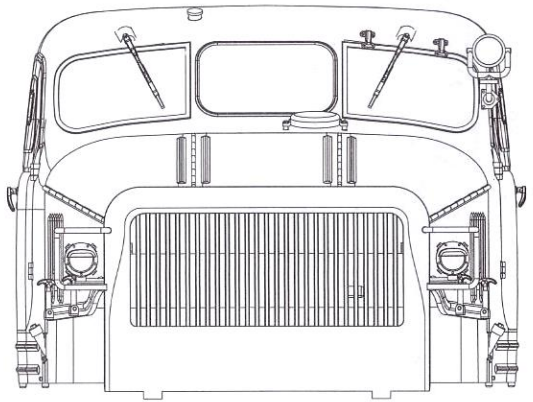
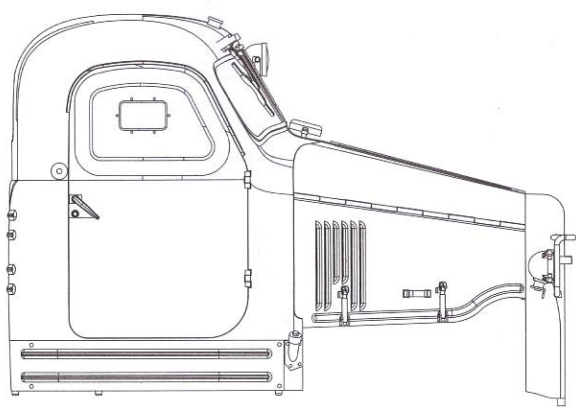
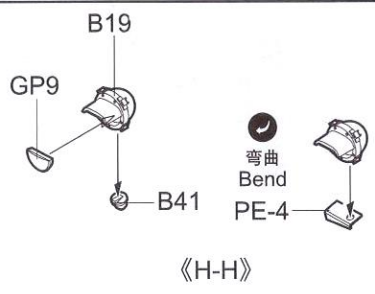
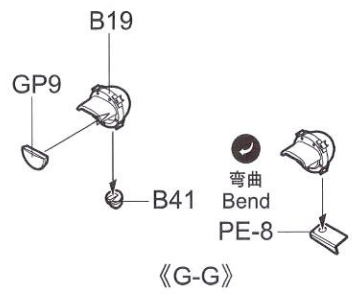
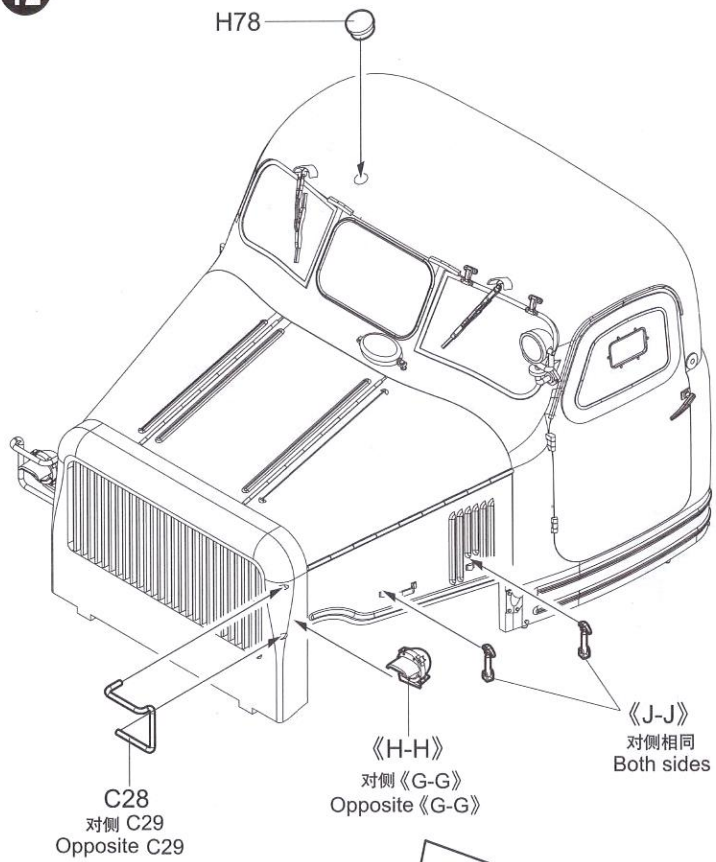


10





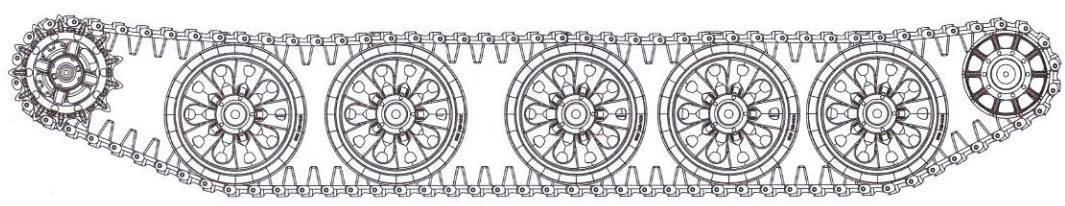
12



13

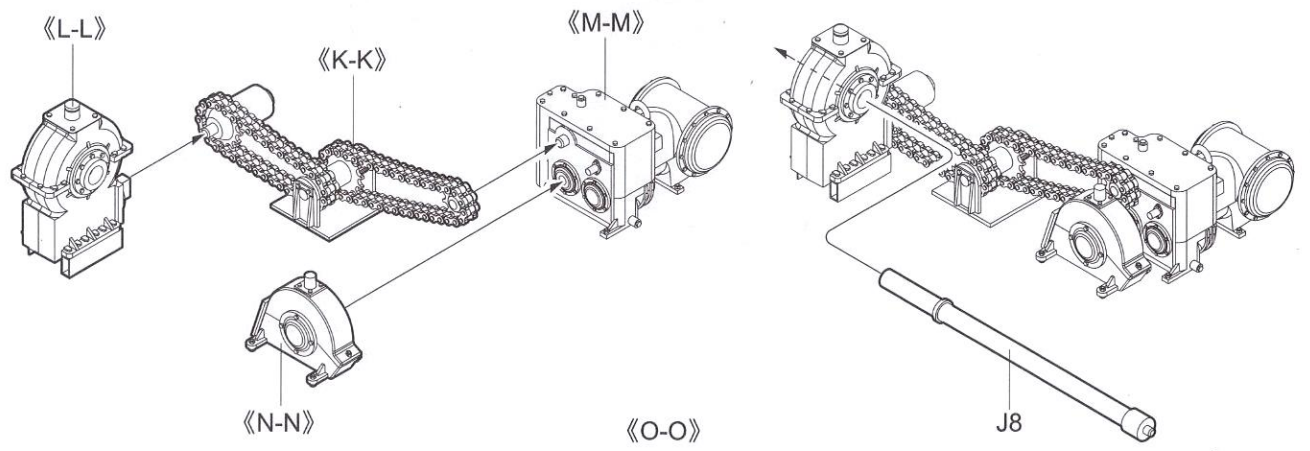
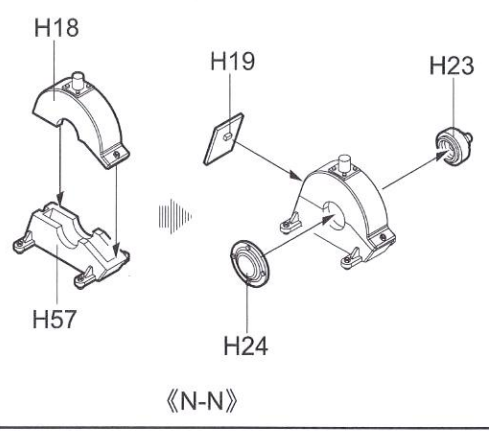
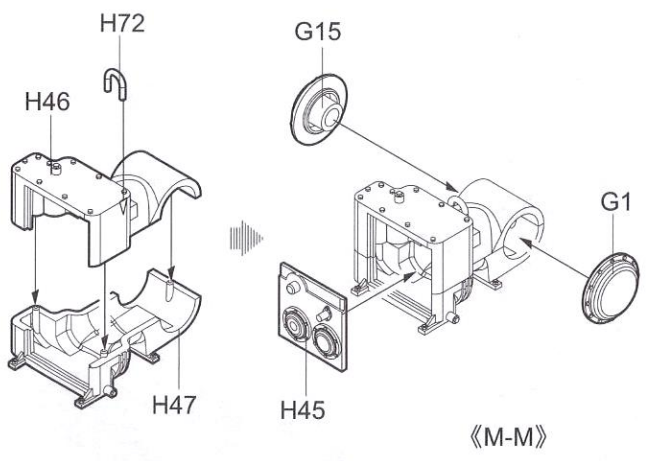
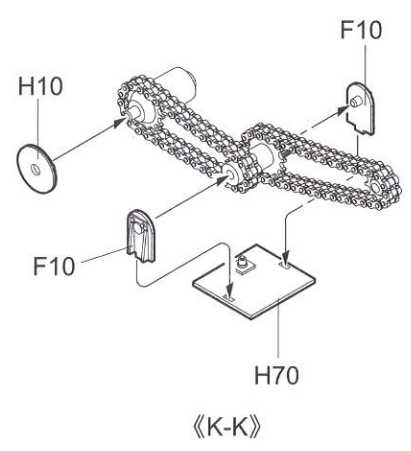
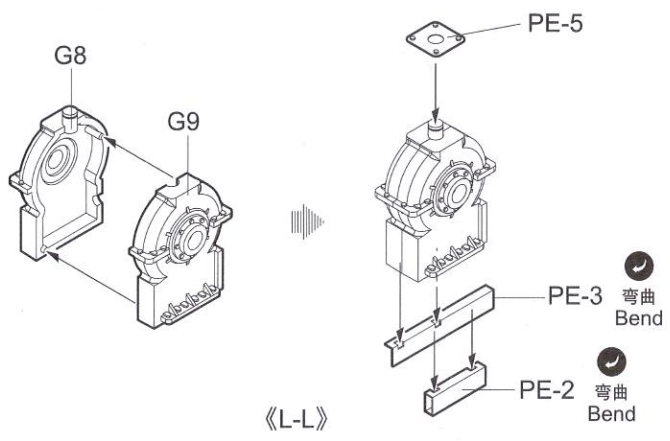
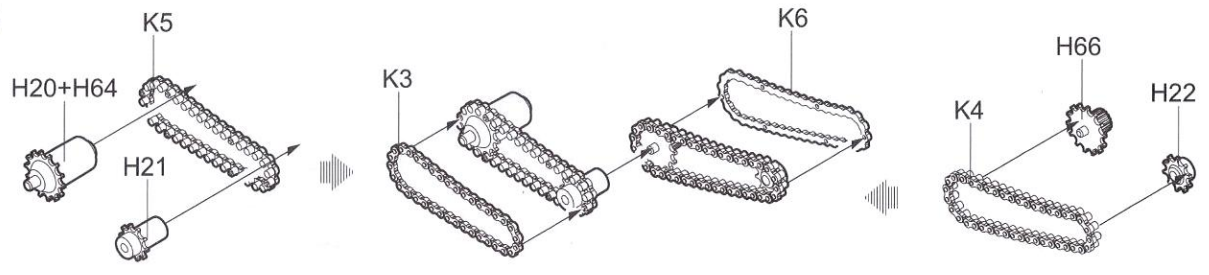
履带组装
Track assembly

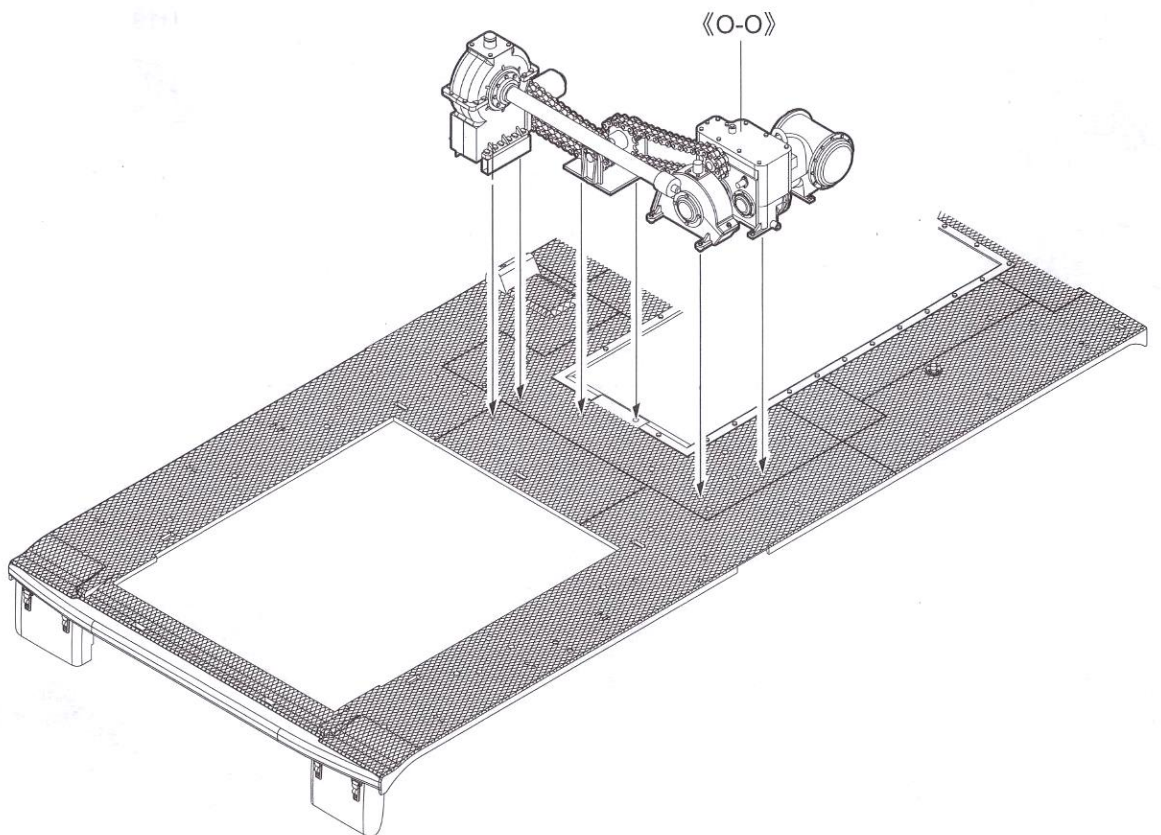
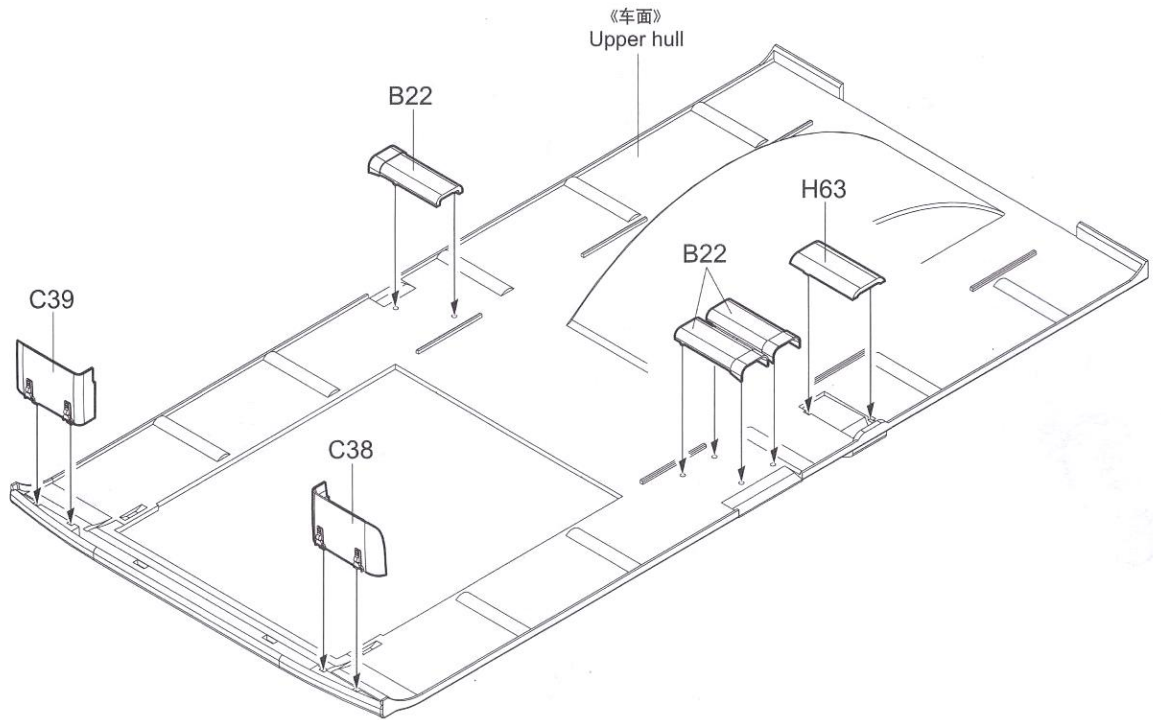
单侧履带约需90节
Complete track for one side requires 90 links

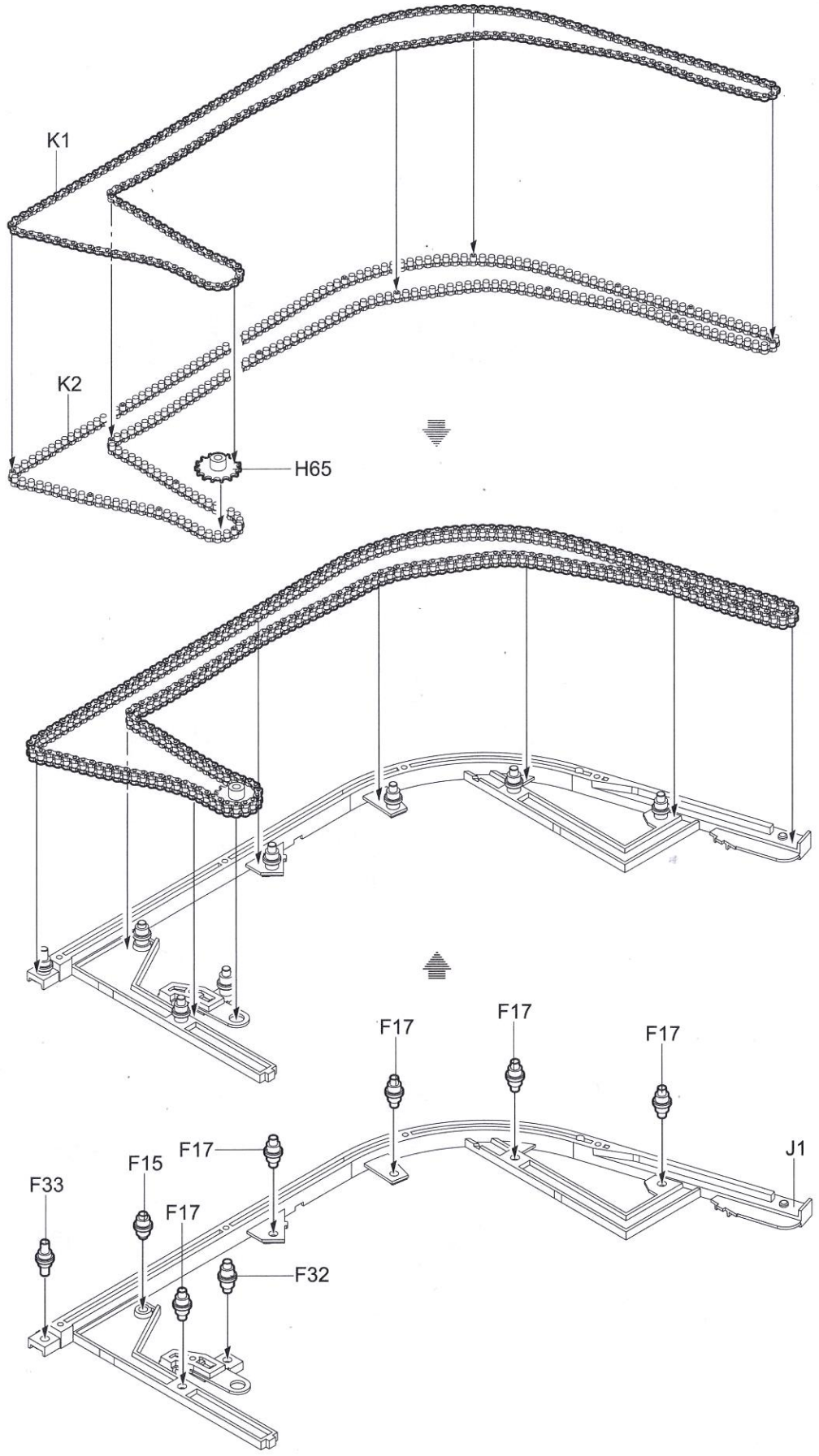


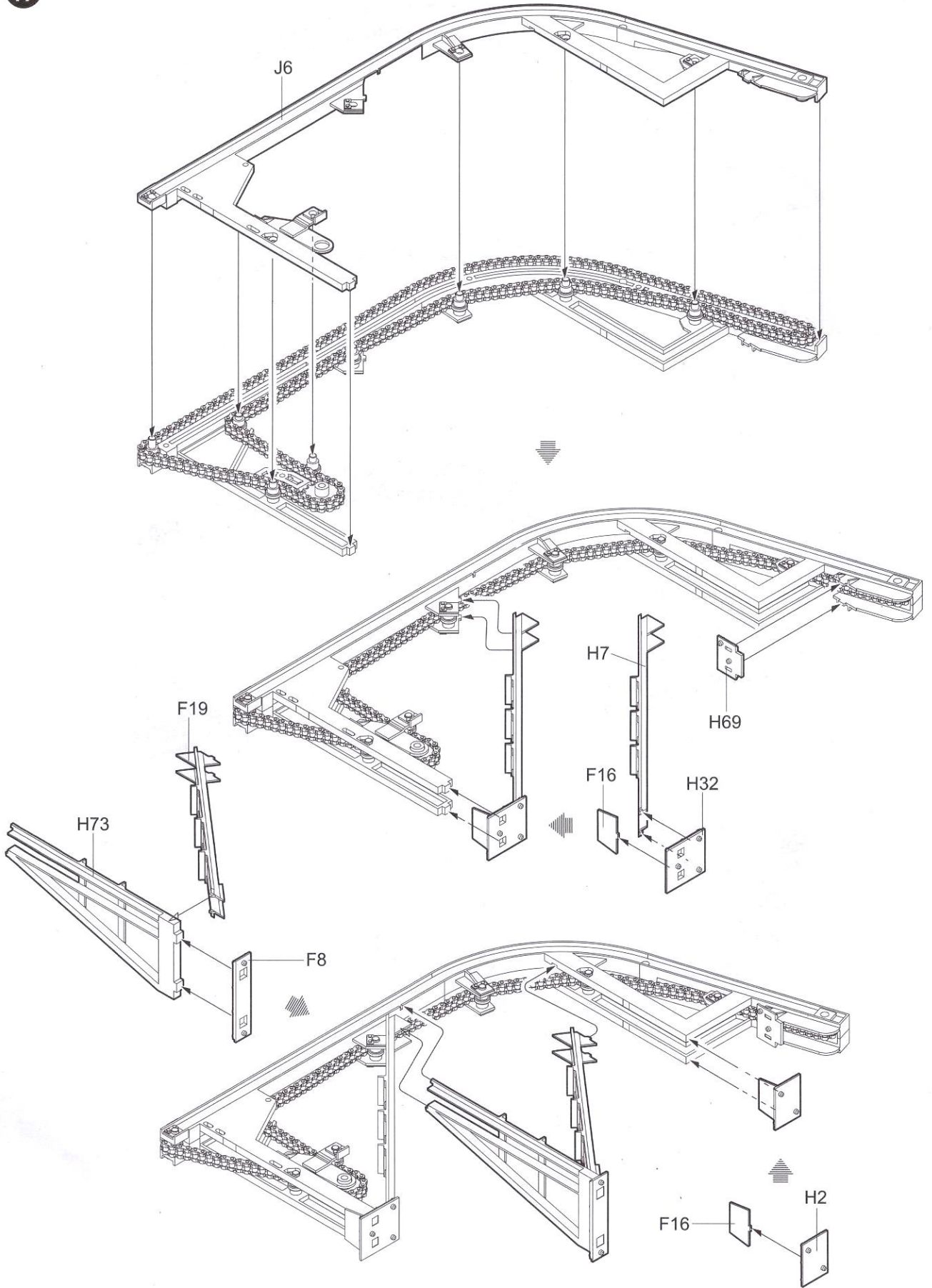
制作2组
Make two

14

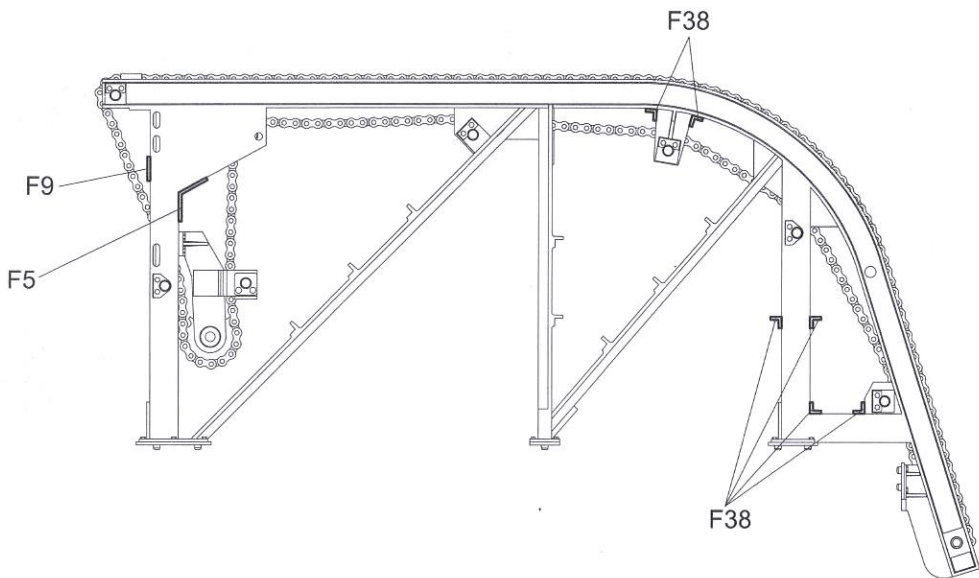






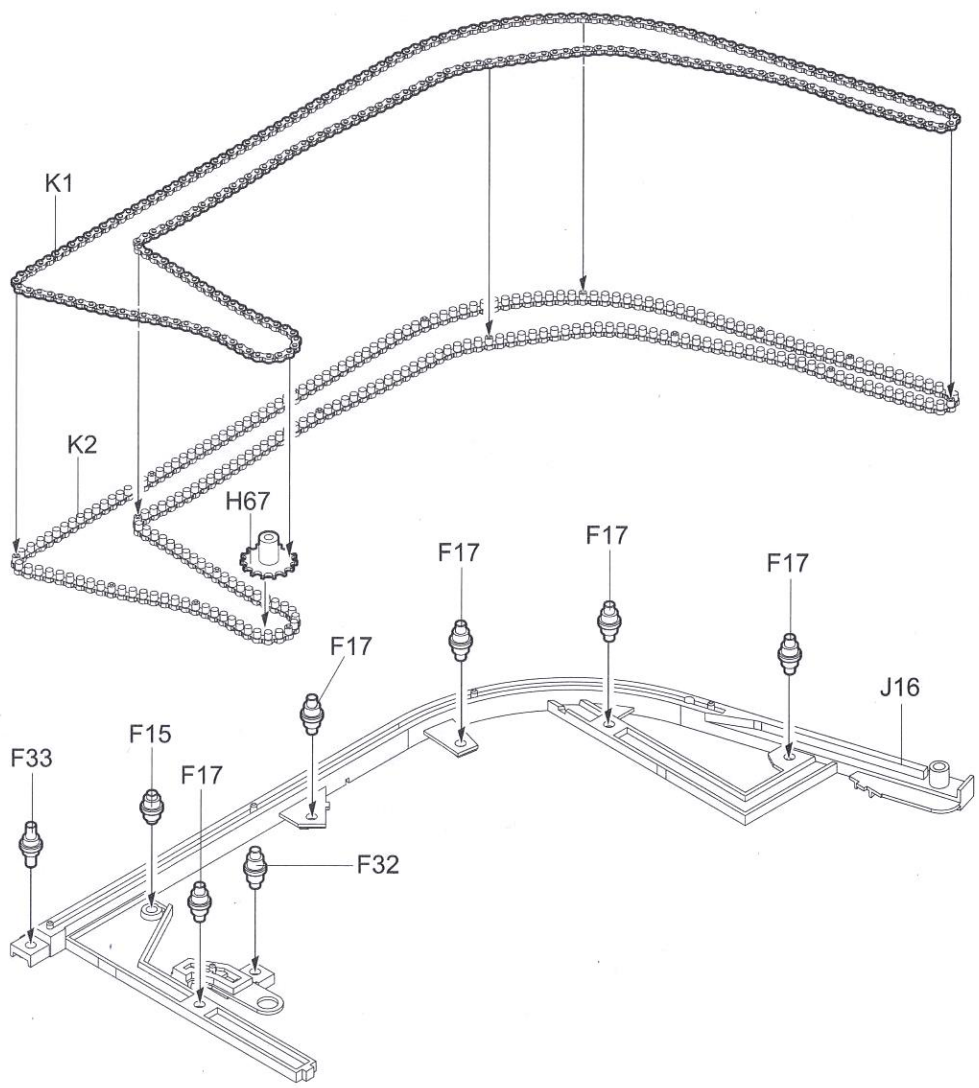


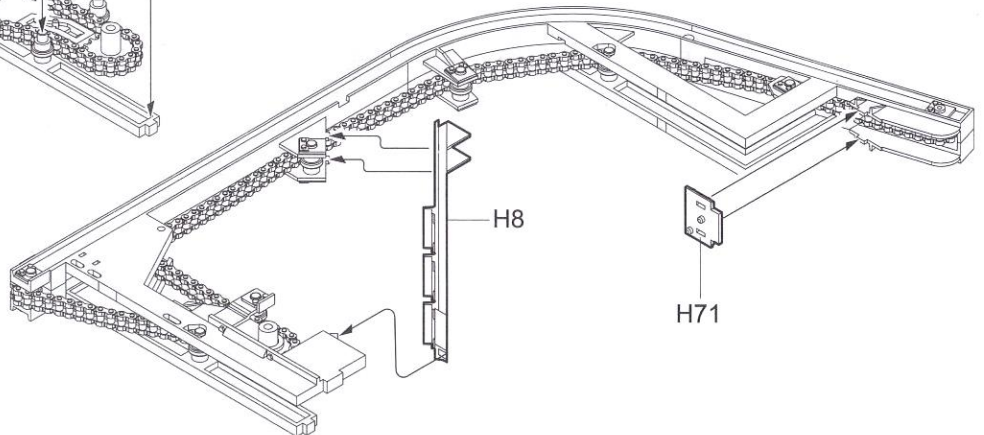
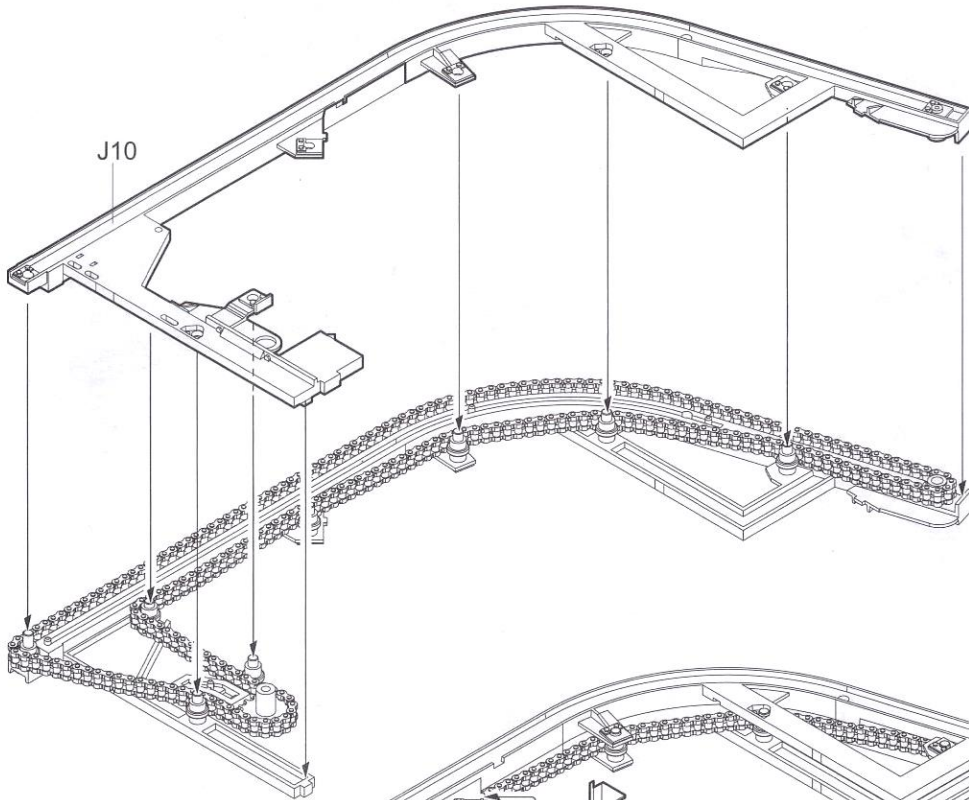
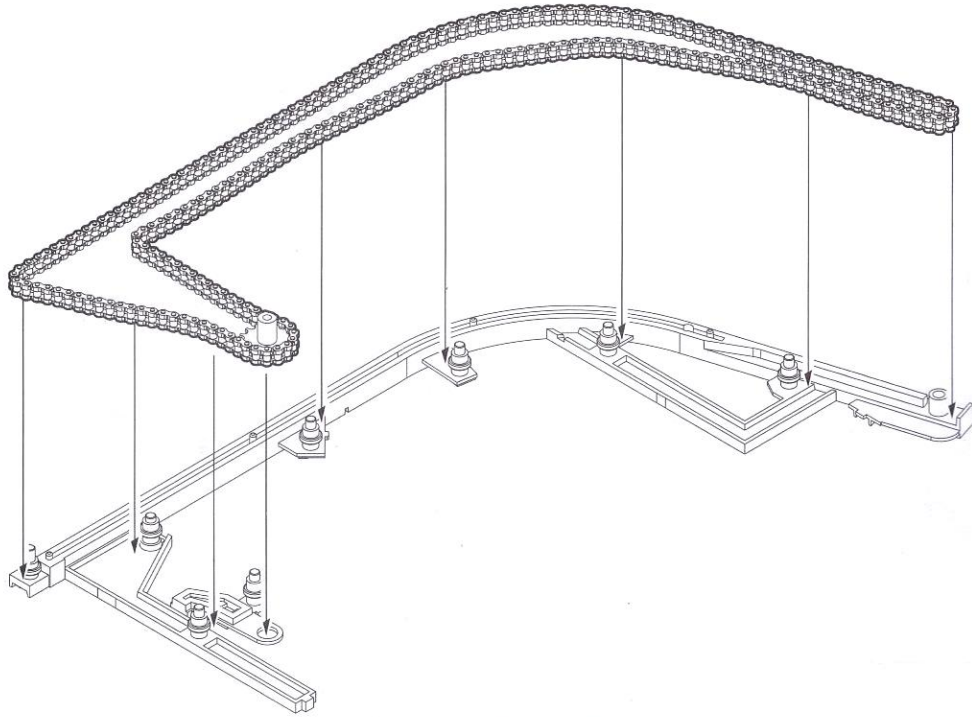
18



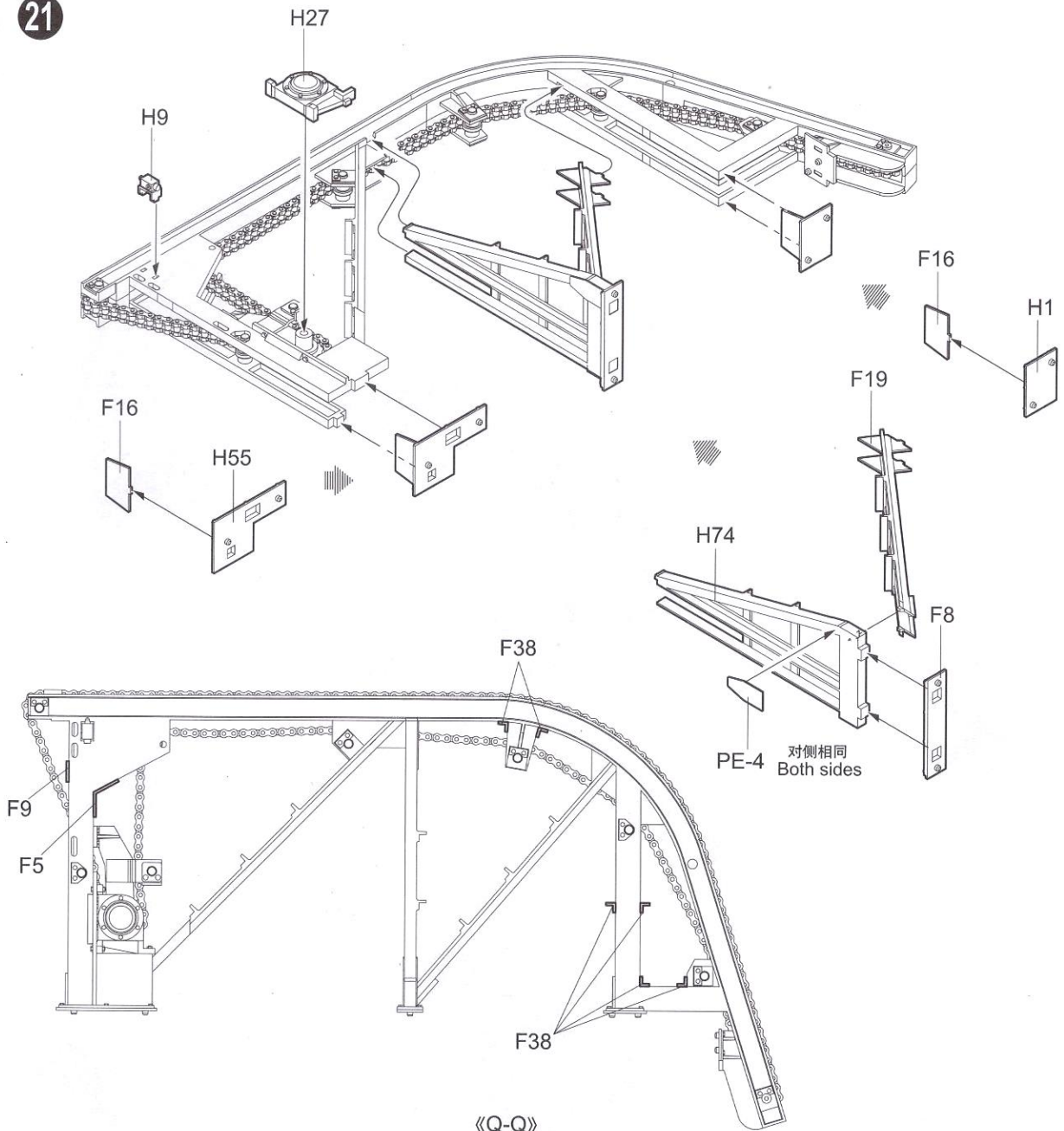
«P-P»

19

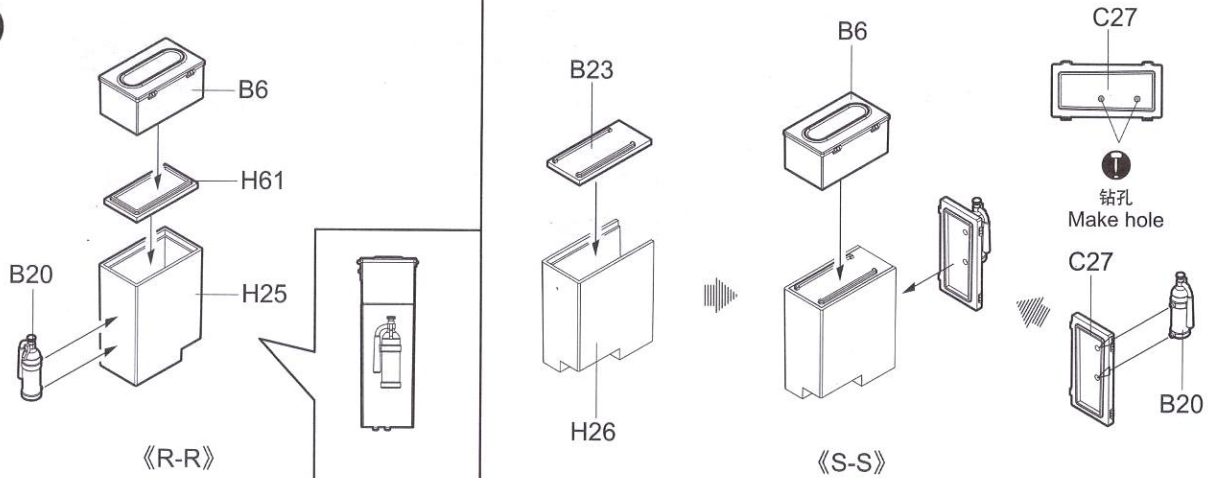


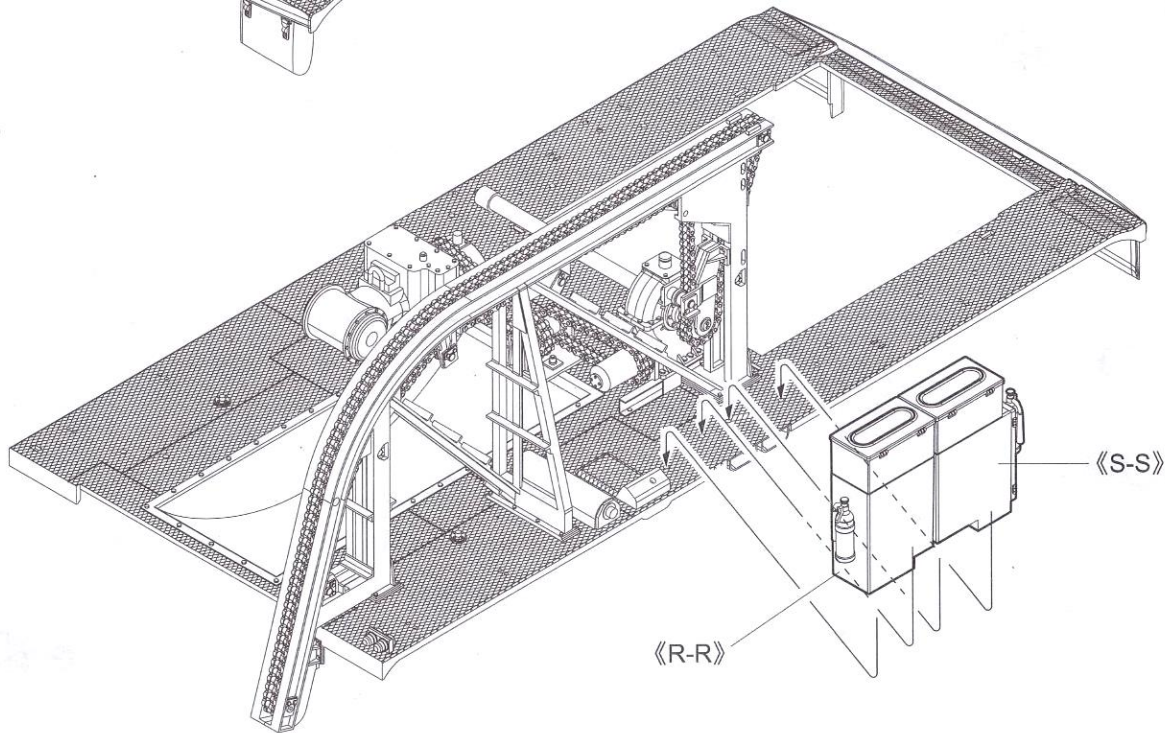
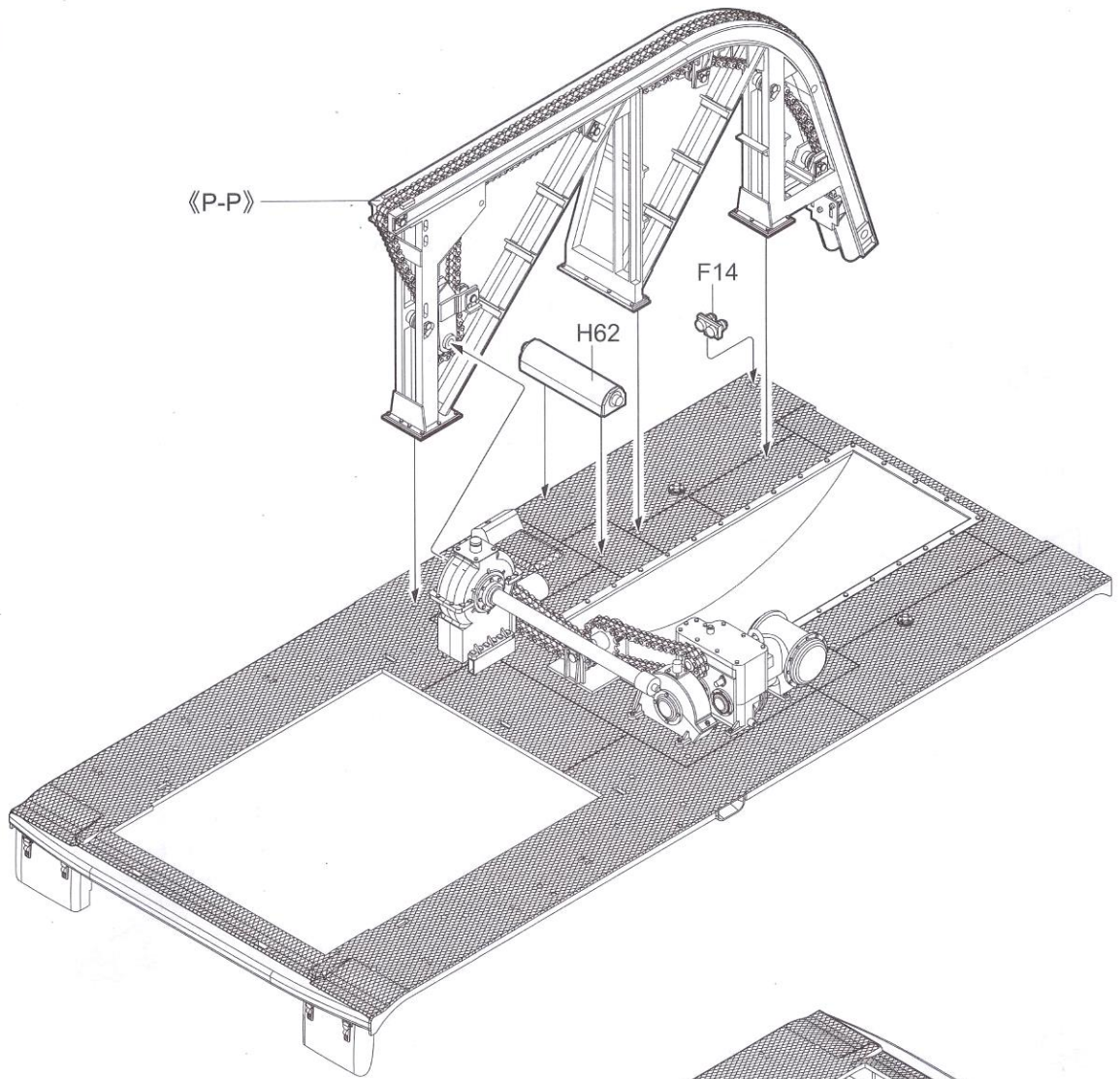


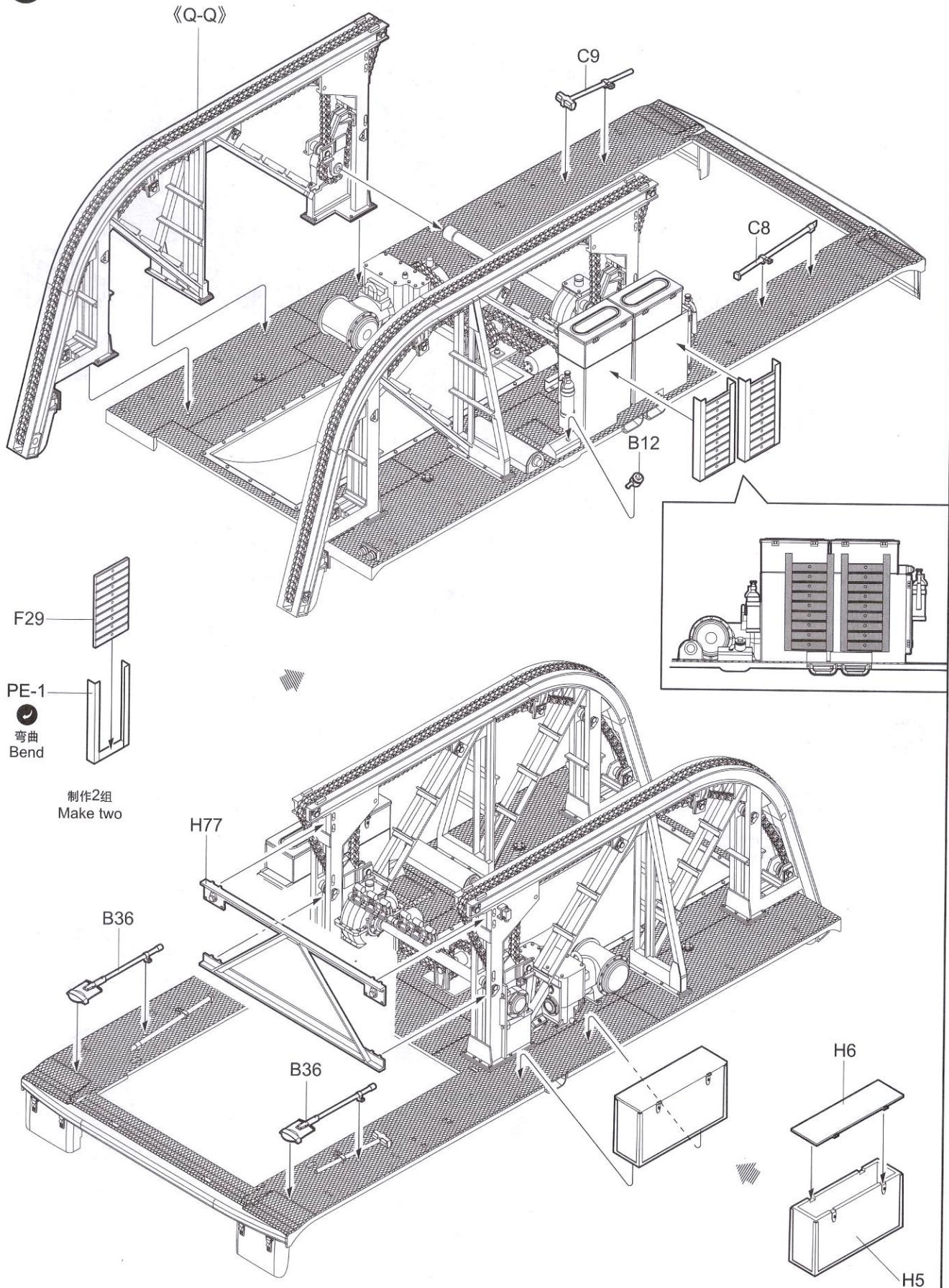
21



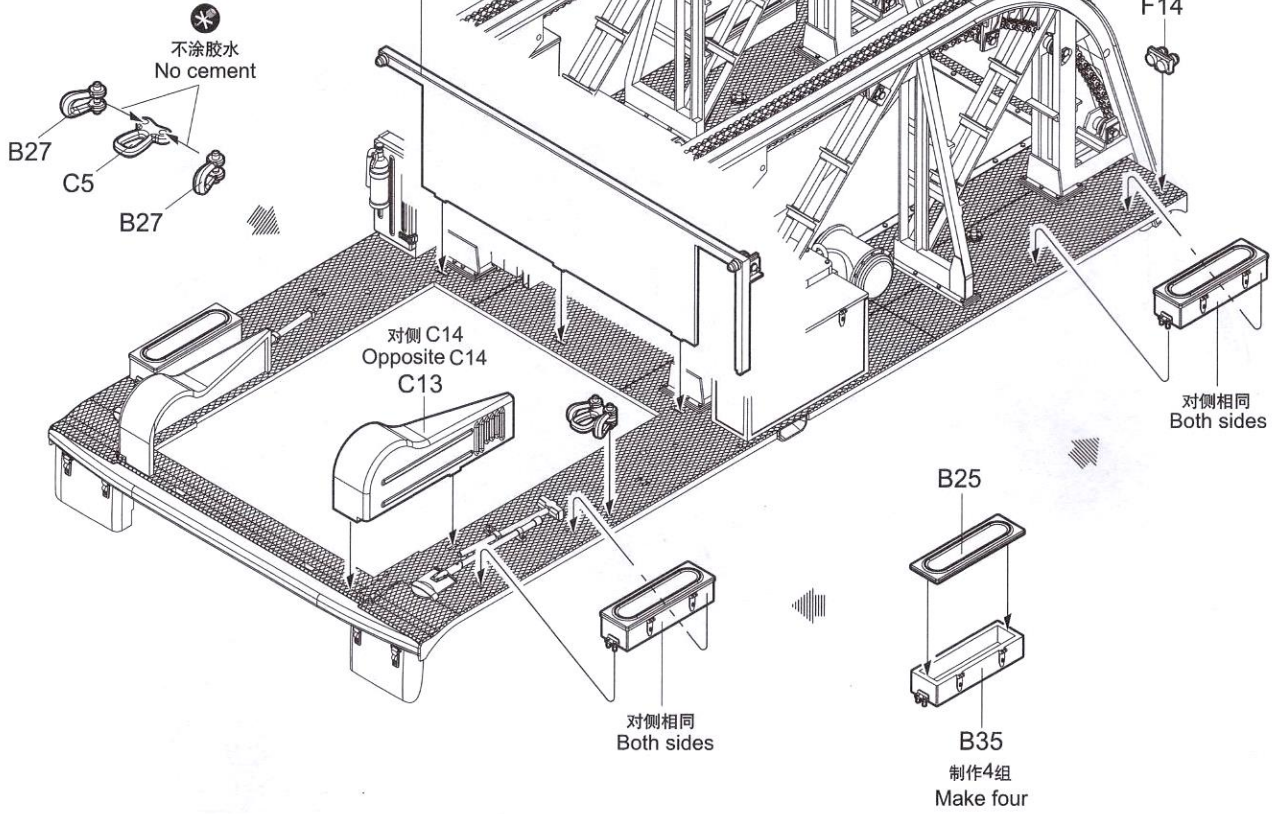
22



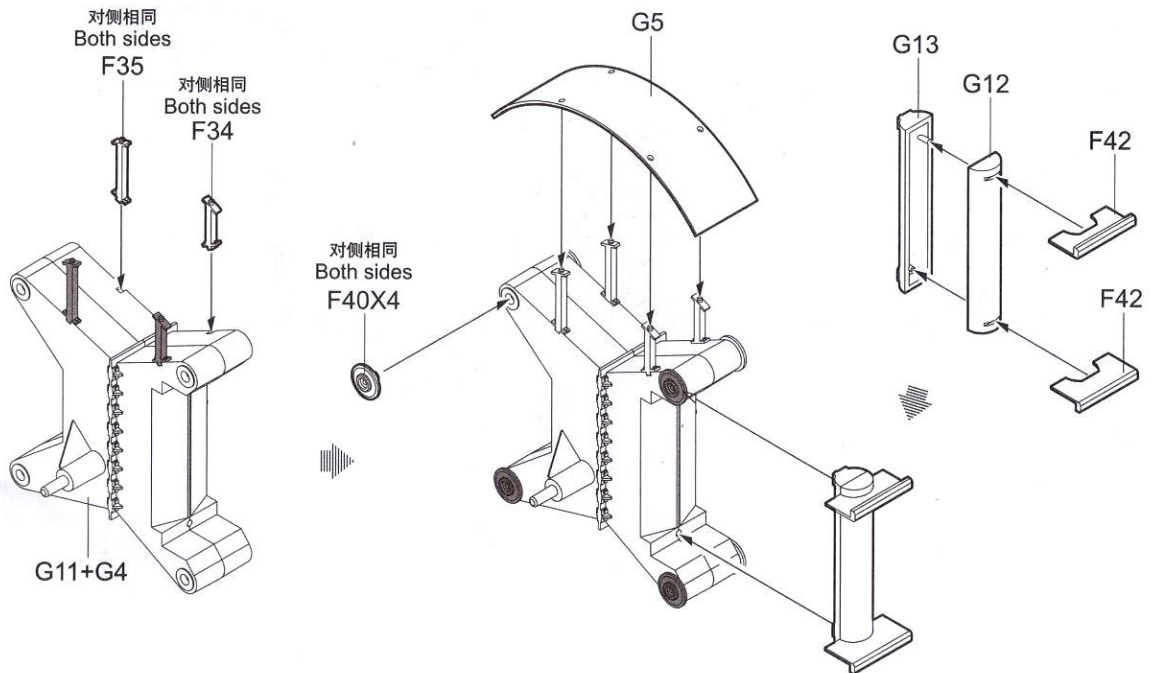




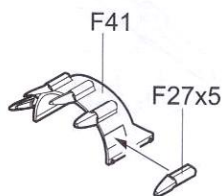
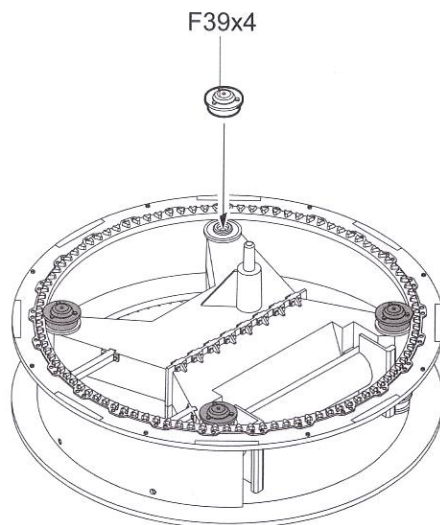
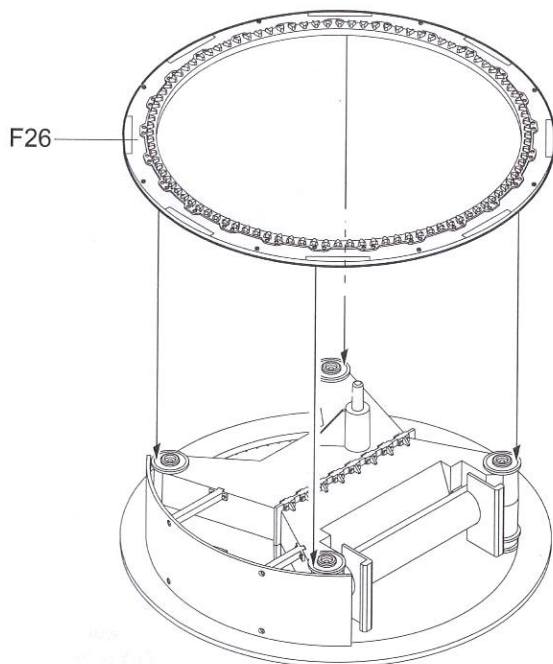
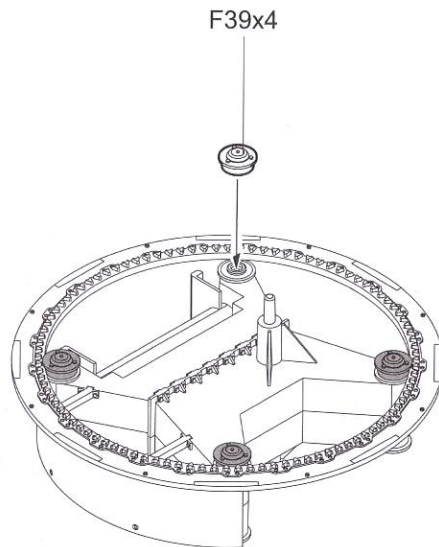
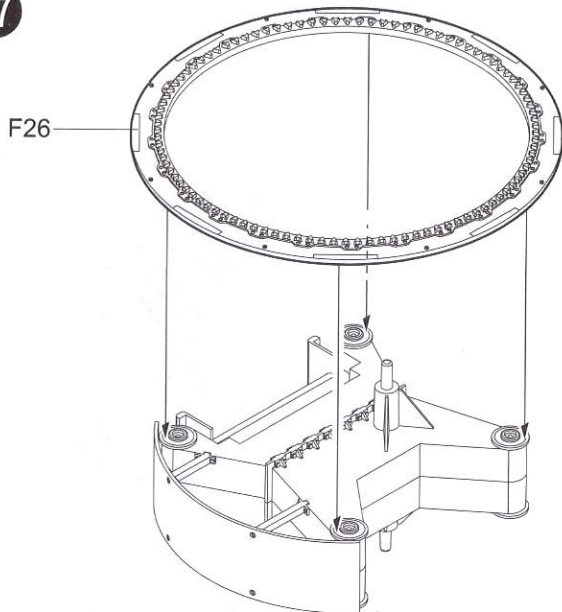
25



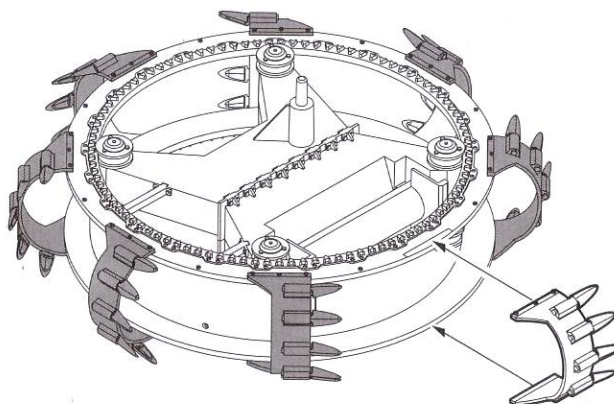
26



27

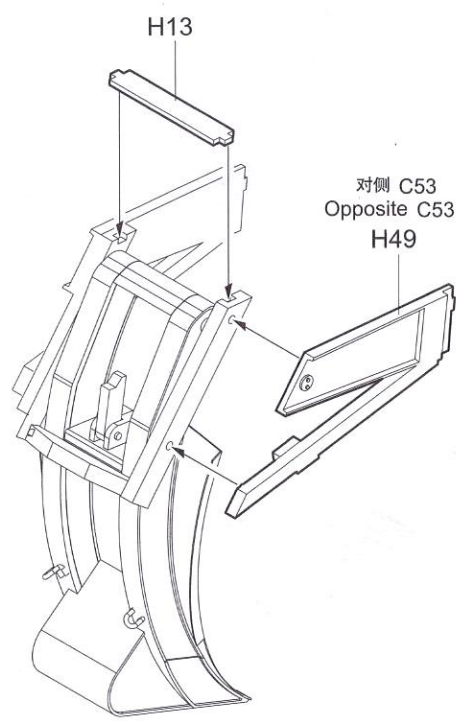
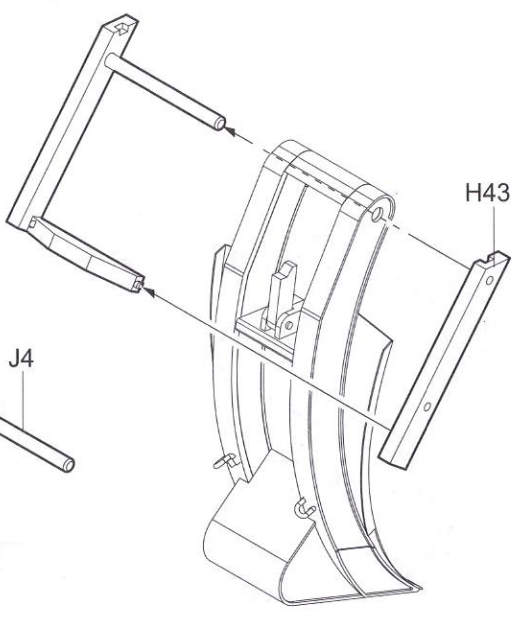
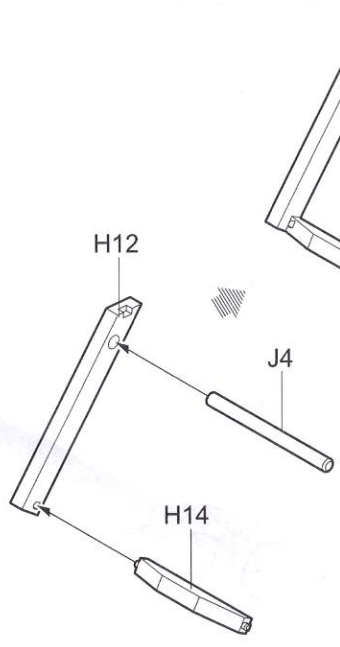
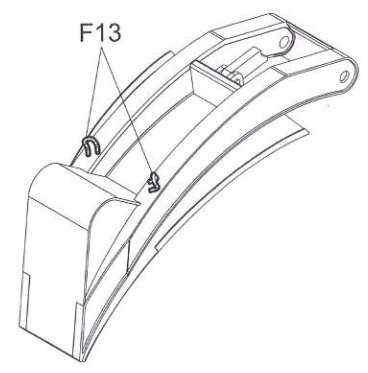
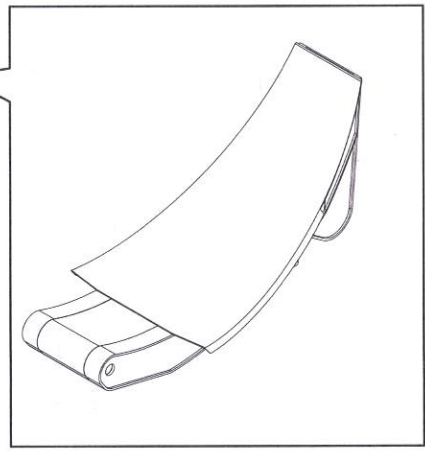
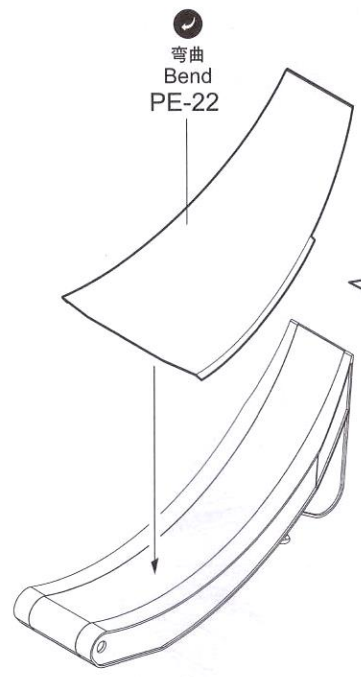
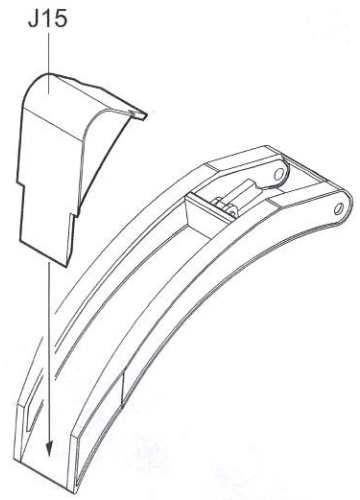
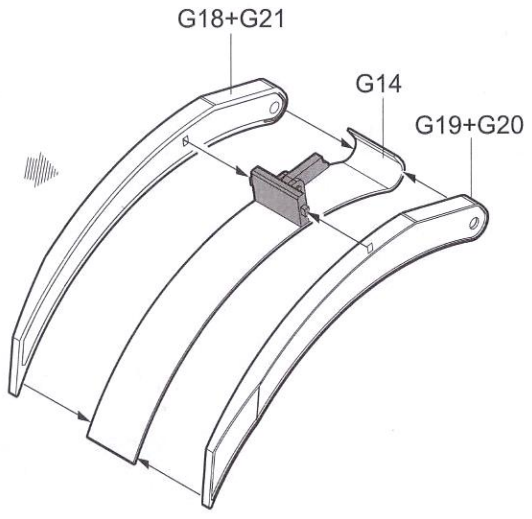
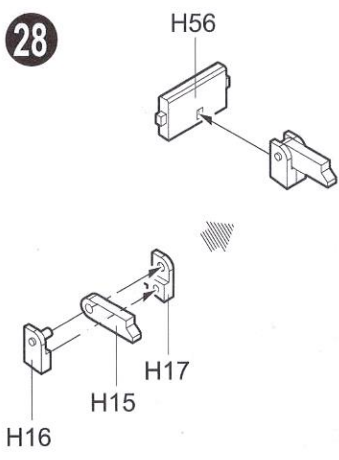


制作8组
Make eight



《T-T》

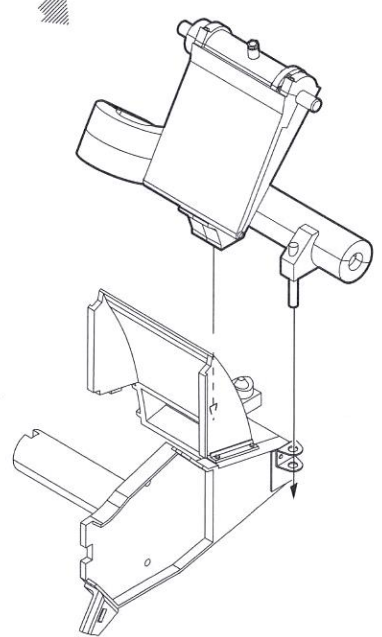
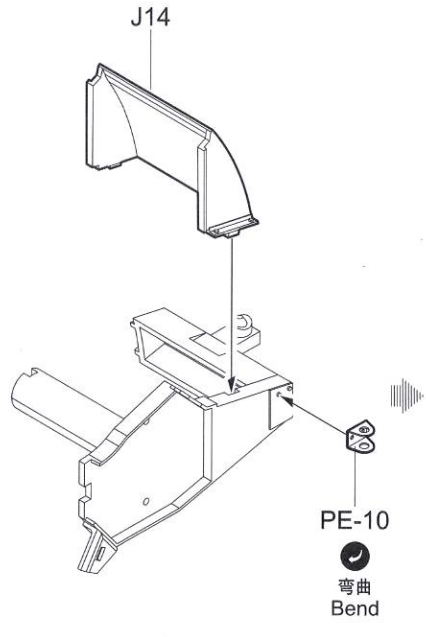
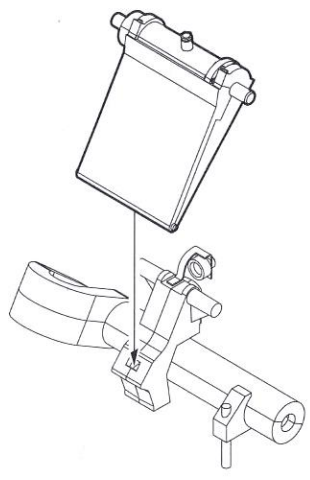
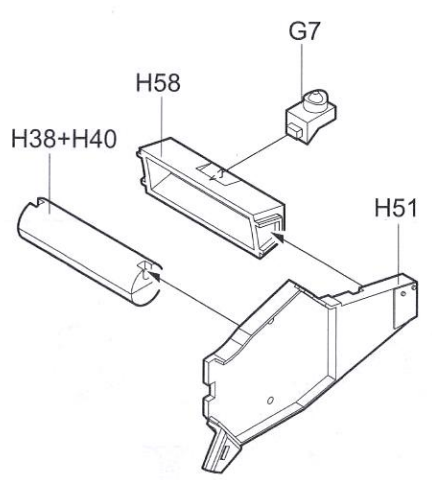
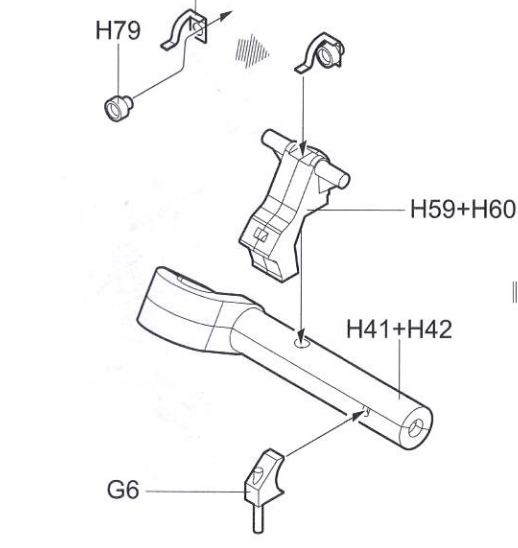
28



《U-U》

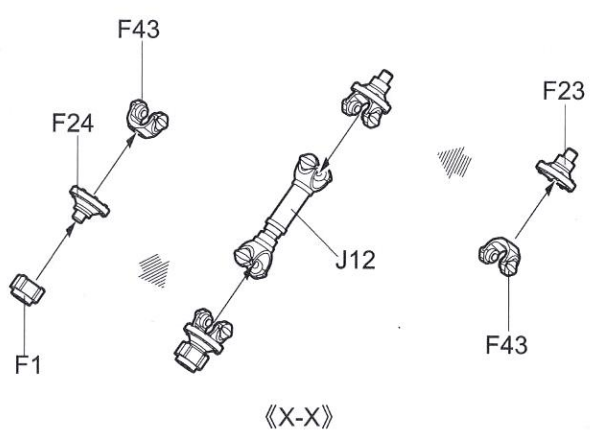
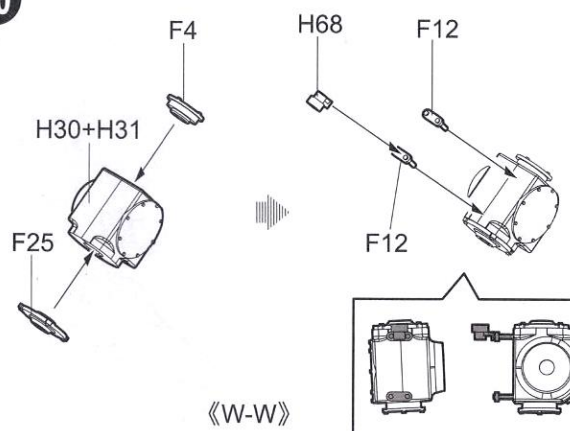
29

弯曲
Bend
PE-12

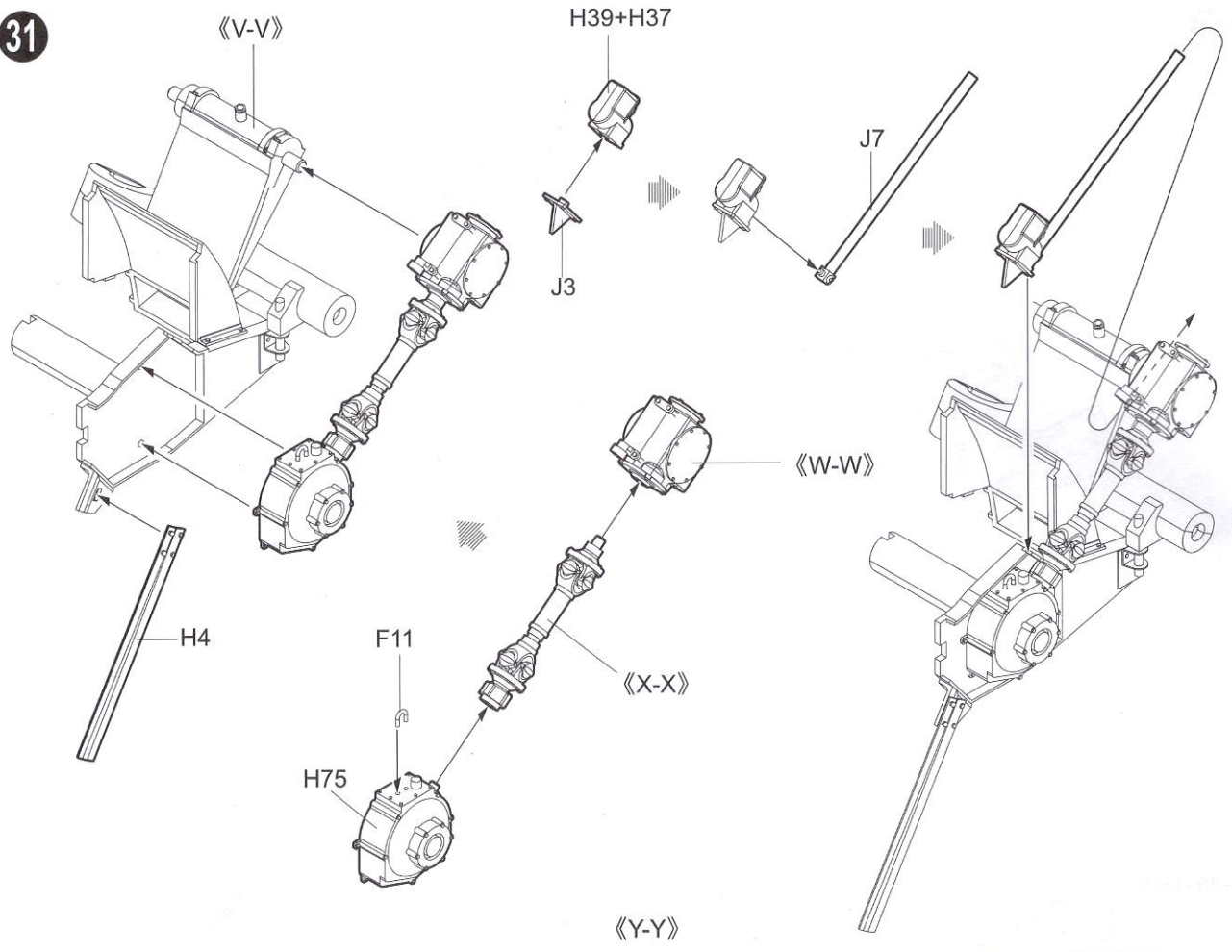


《V-V》

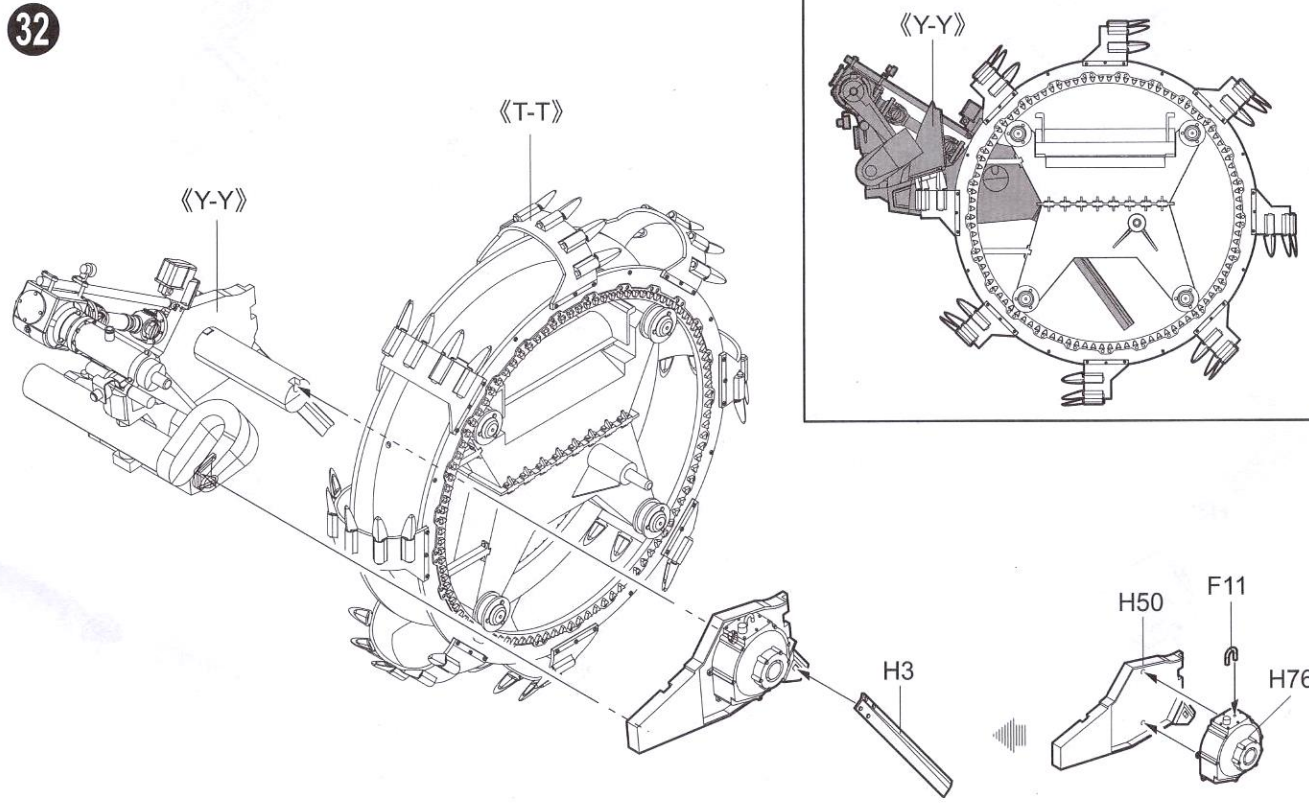
30



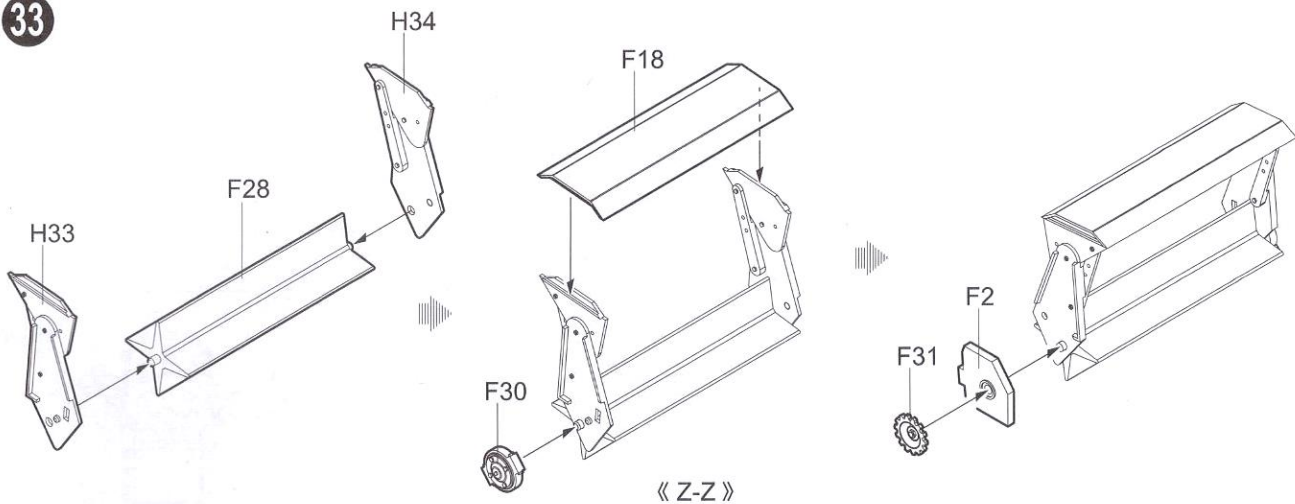
31



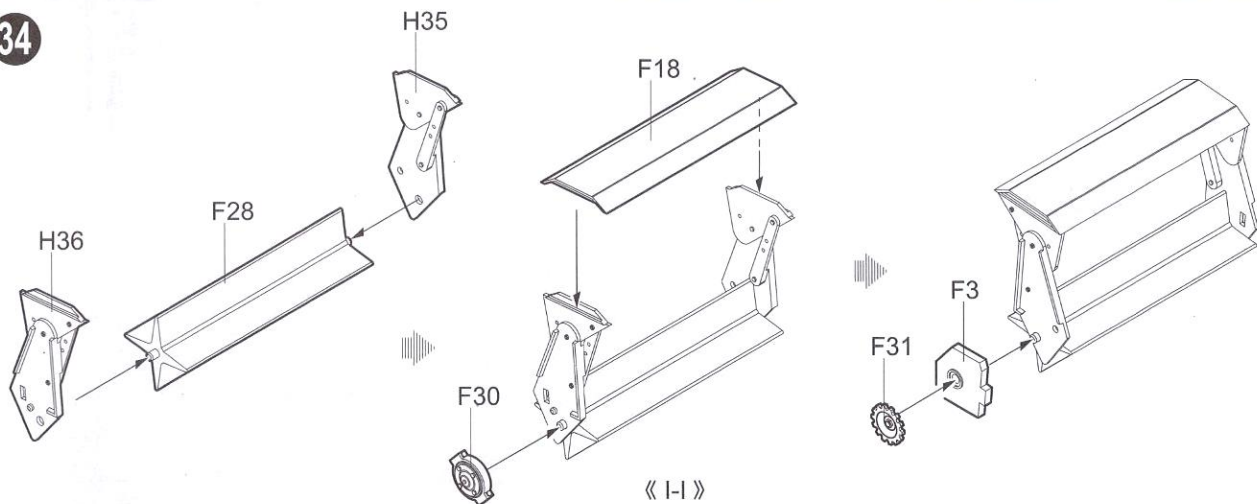
32



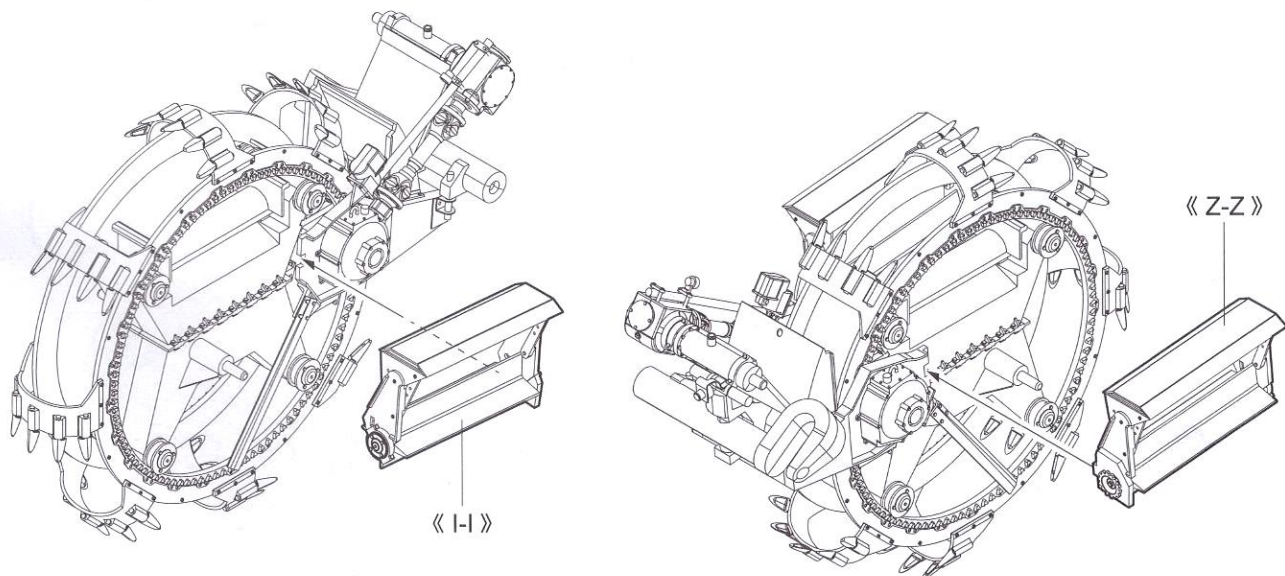
33



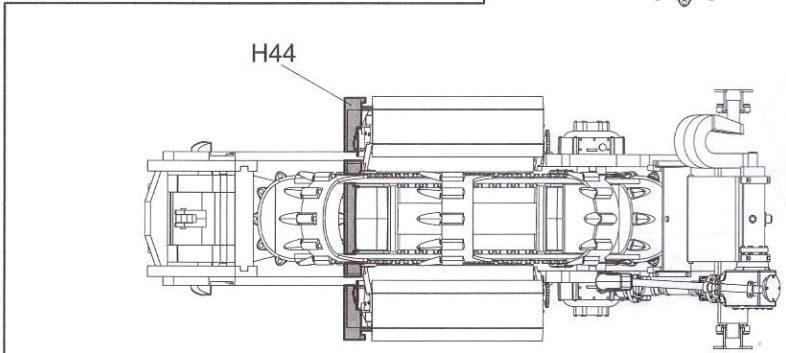
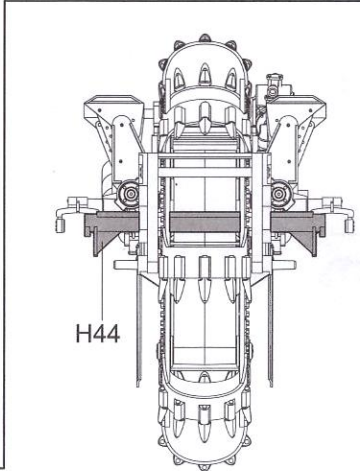
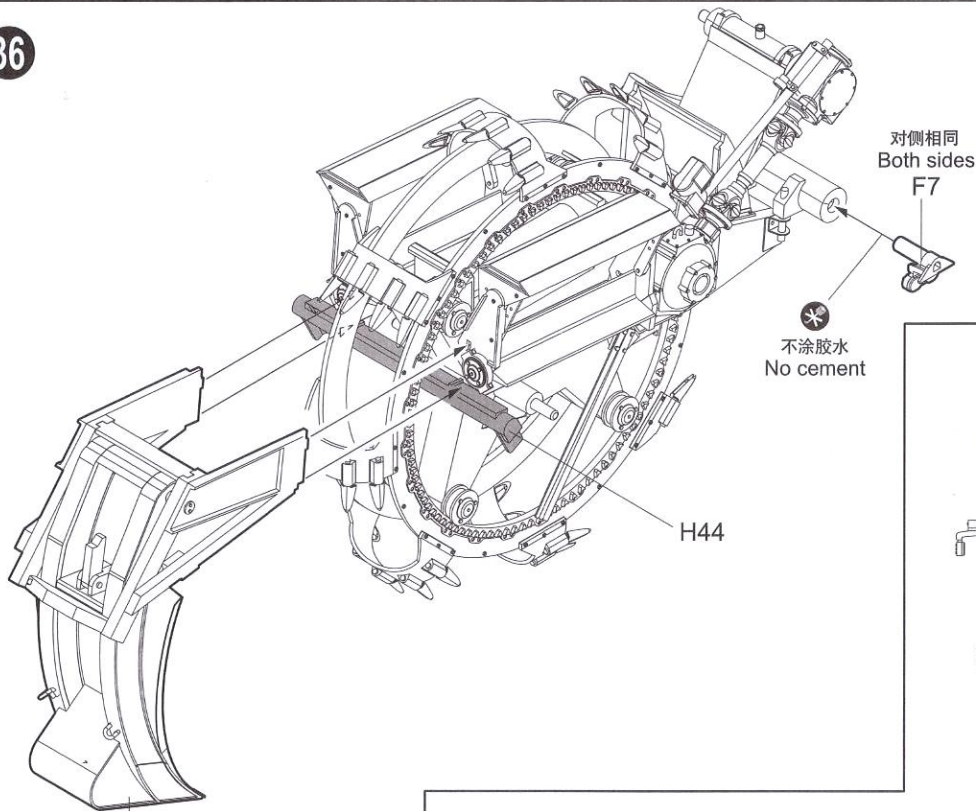
34



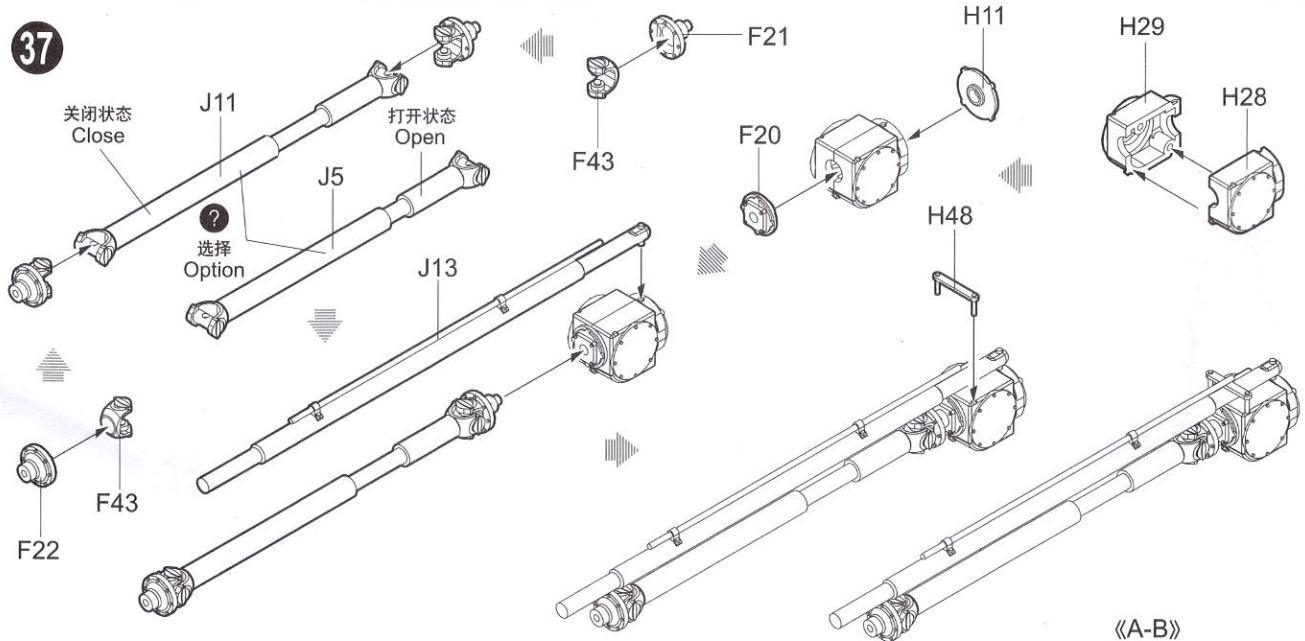
35

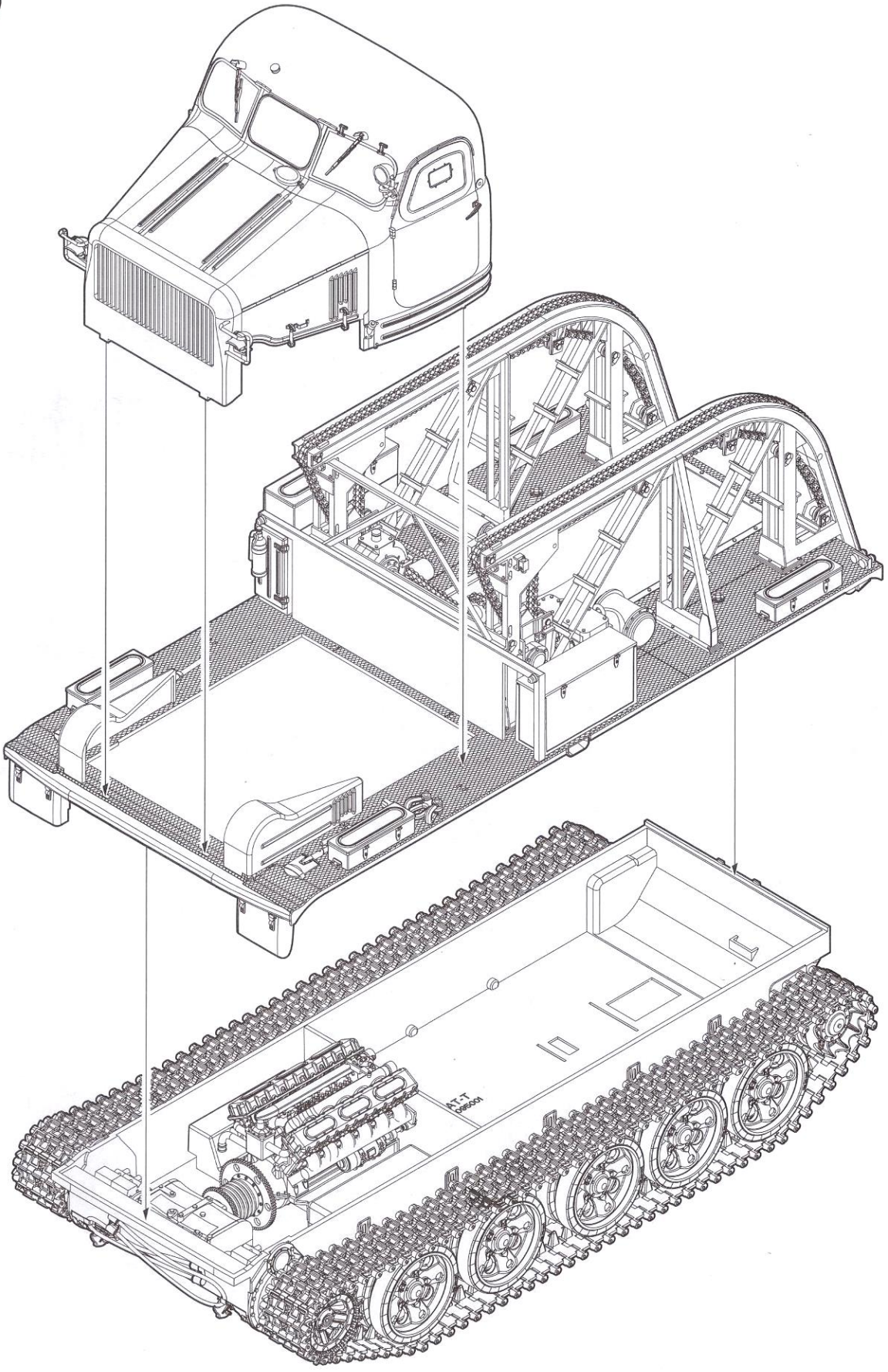


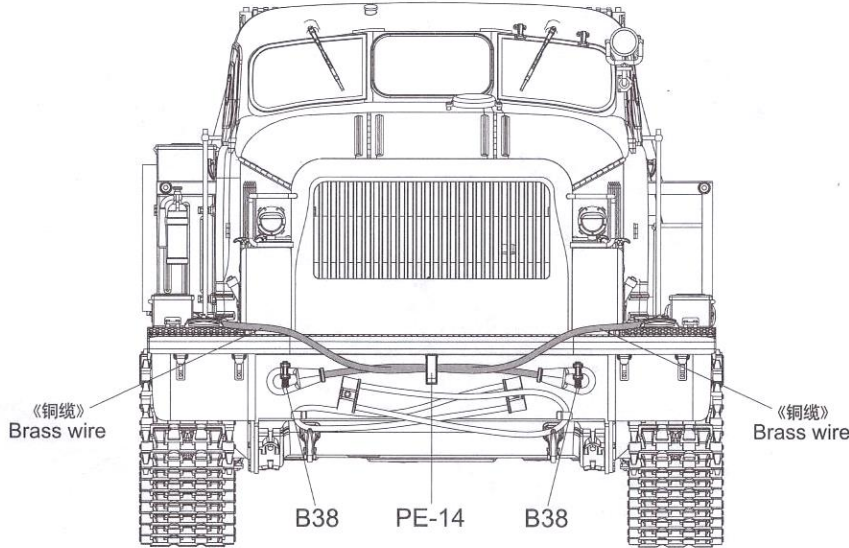
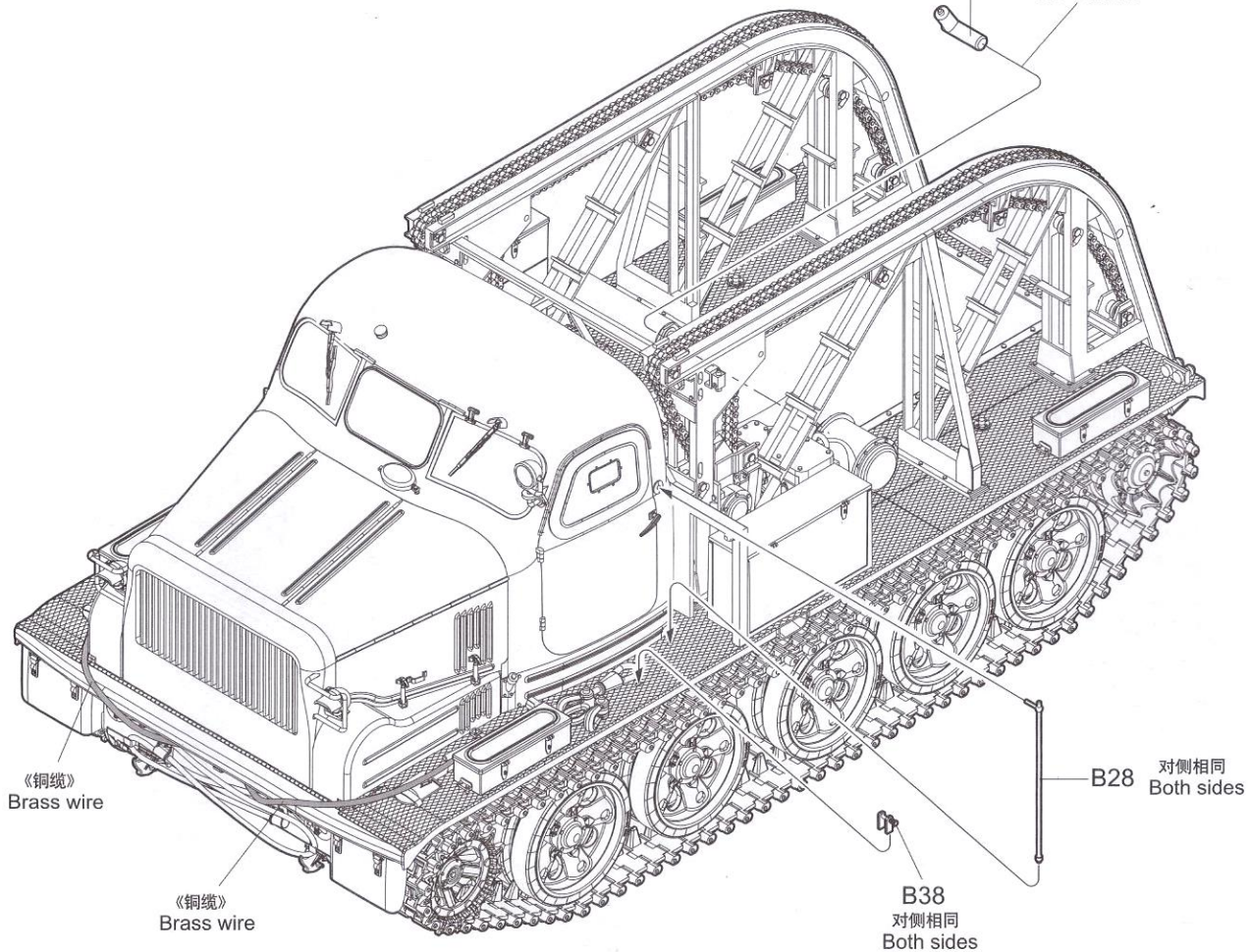
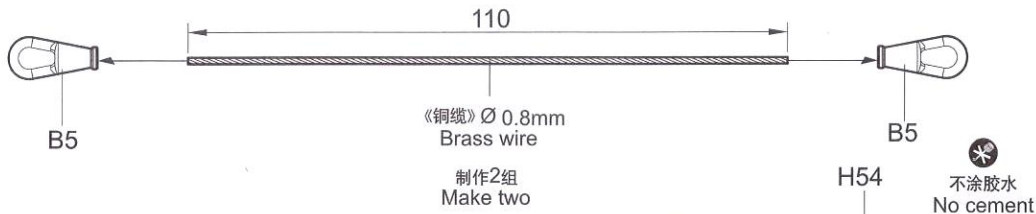
36



37

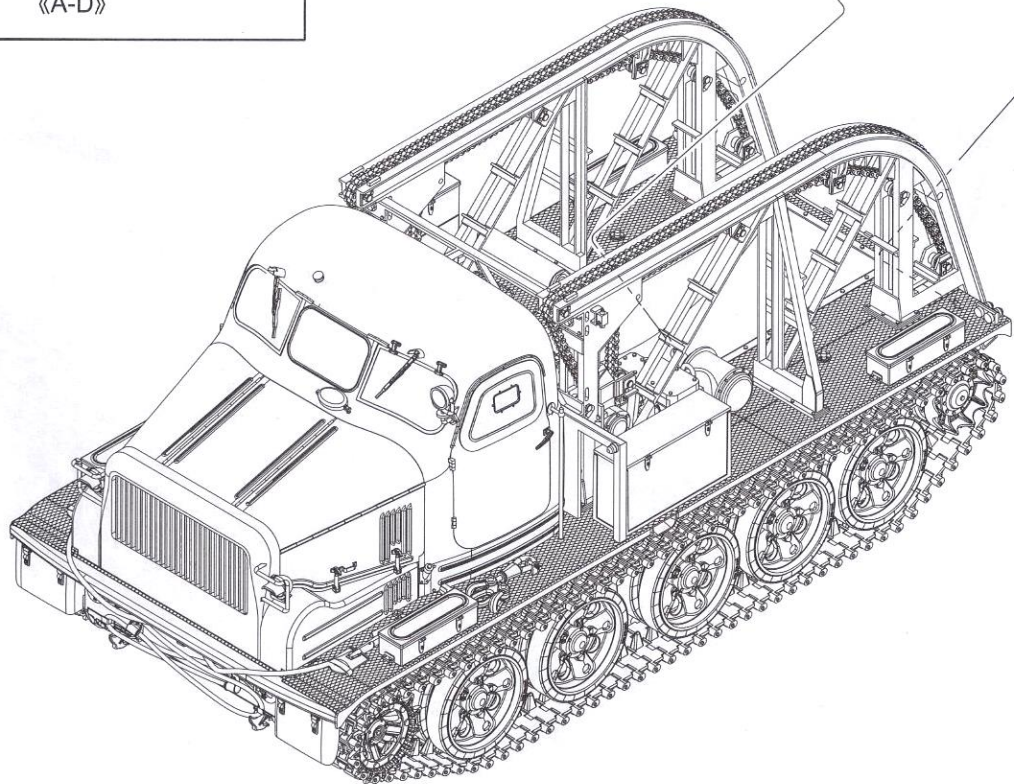
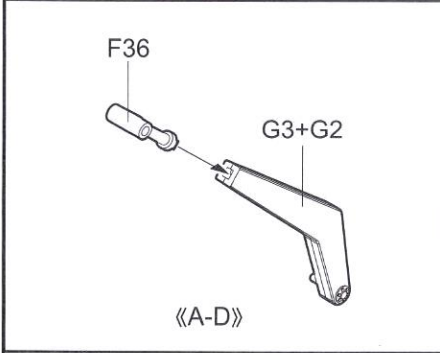
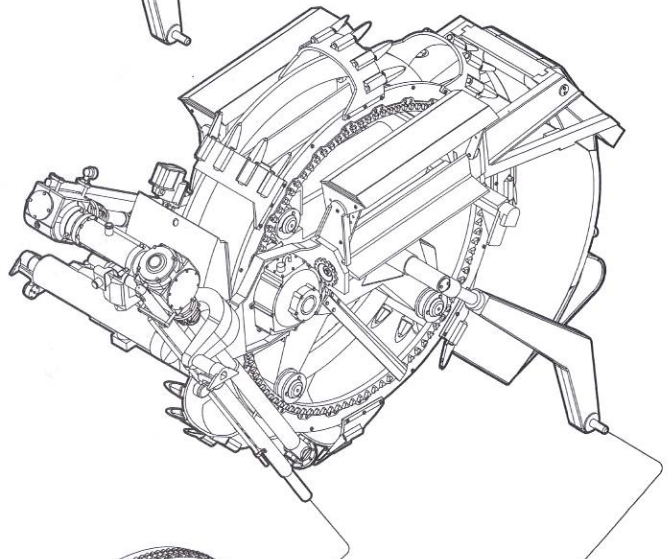
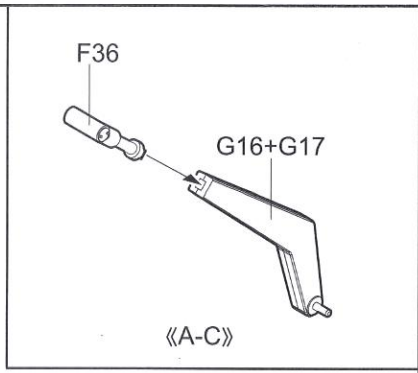
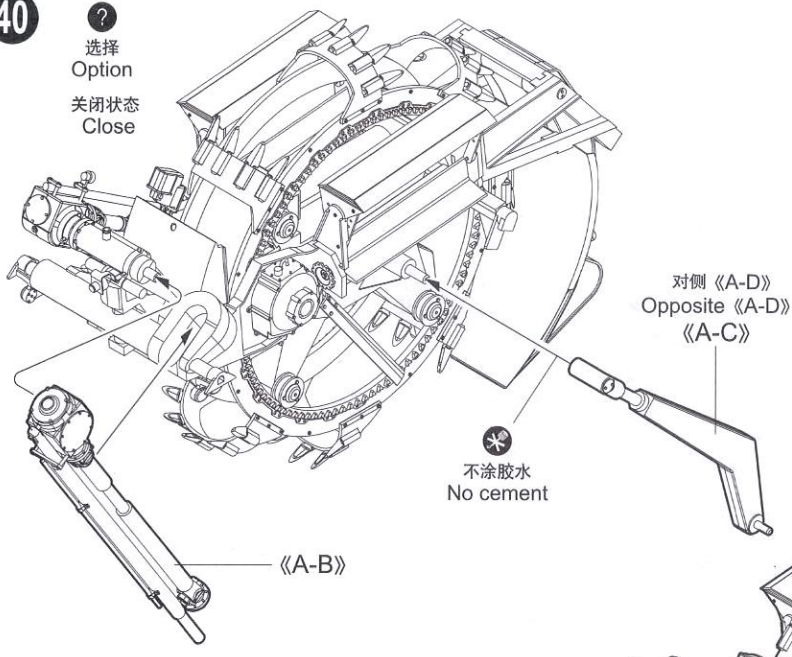






40

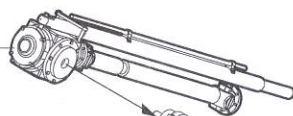
?
选择
Option
关闭状态
Close



41

②
选择
Option
打开状态
Open

《A-B》

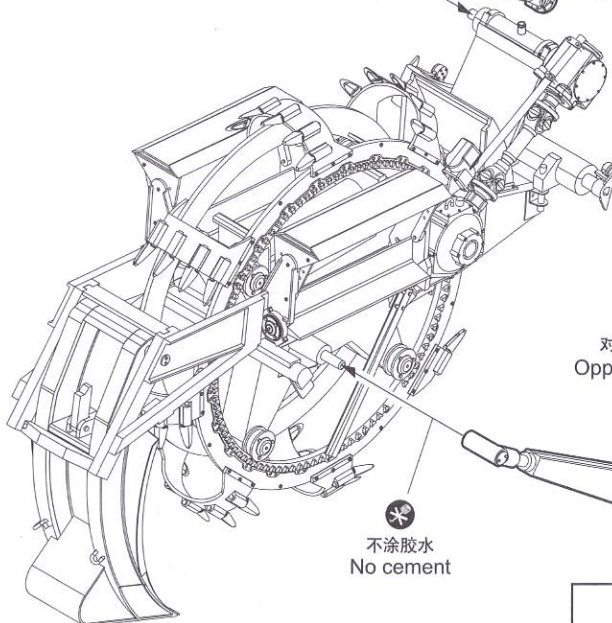


F37

G16+G17



《A-E》

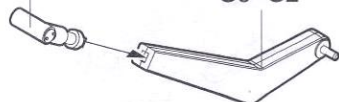


对侧 《A-E》
Opposite 《A-E》
《A-F》

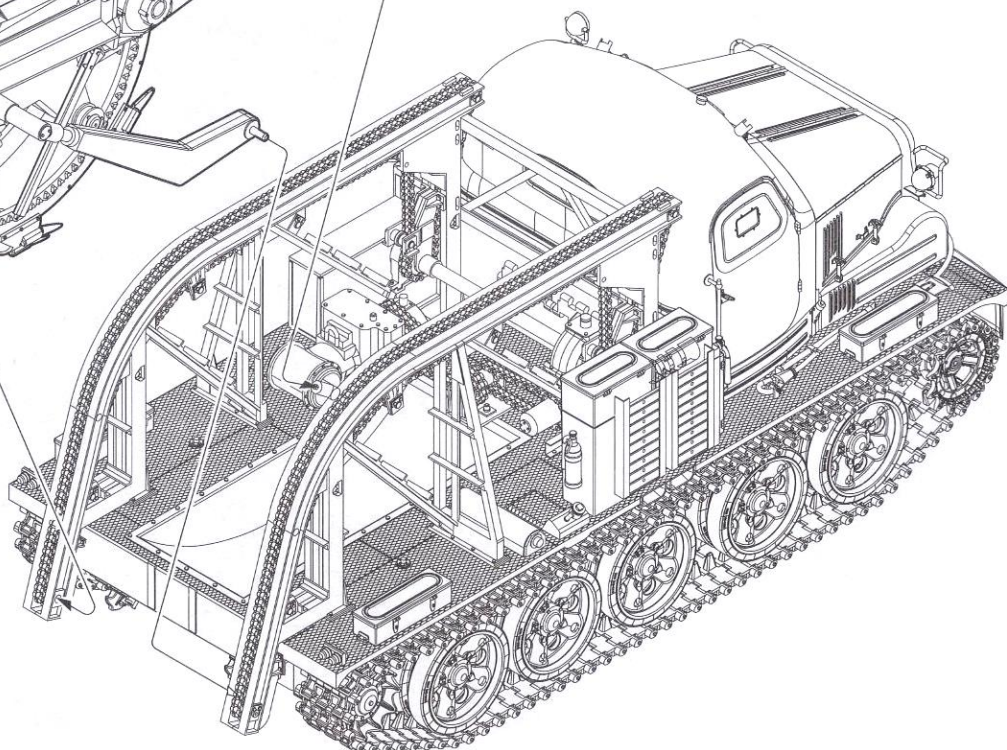
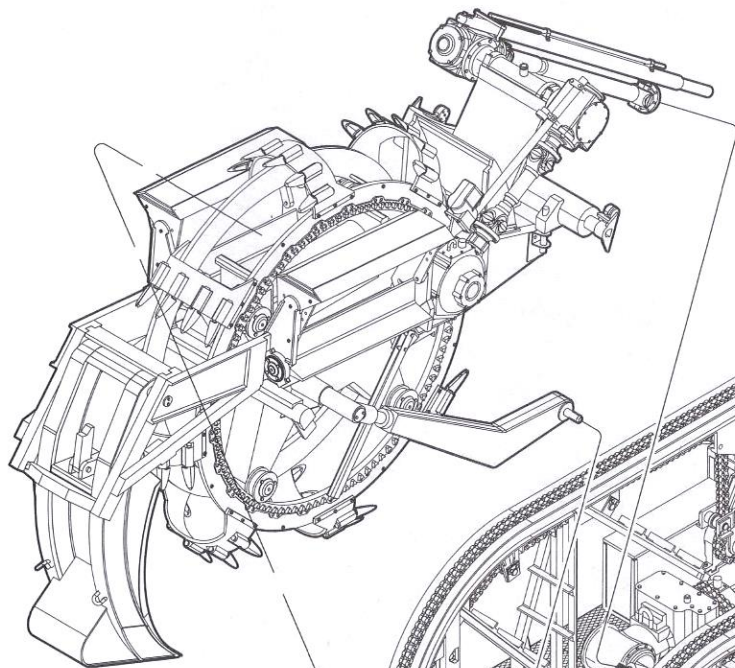
不涂胶水
No cement

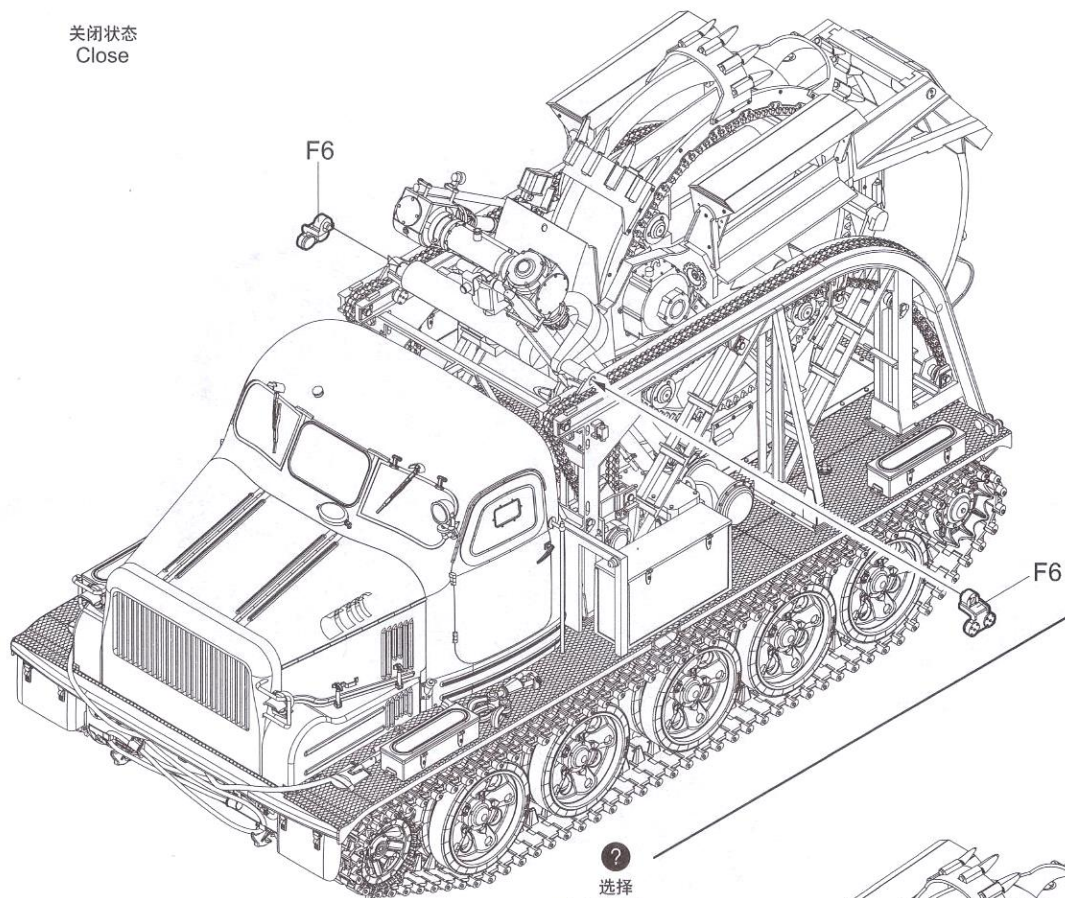
F37

G3+G2



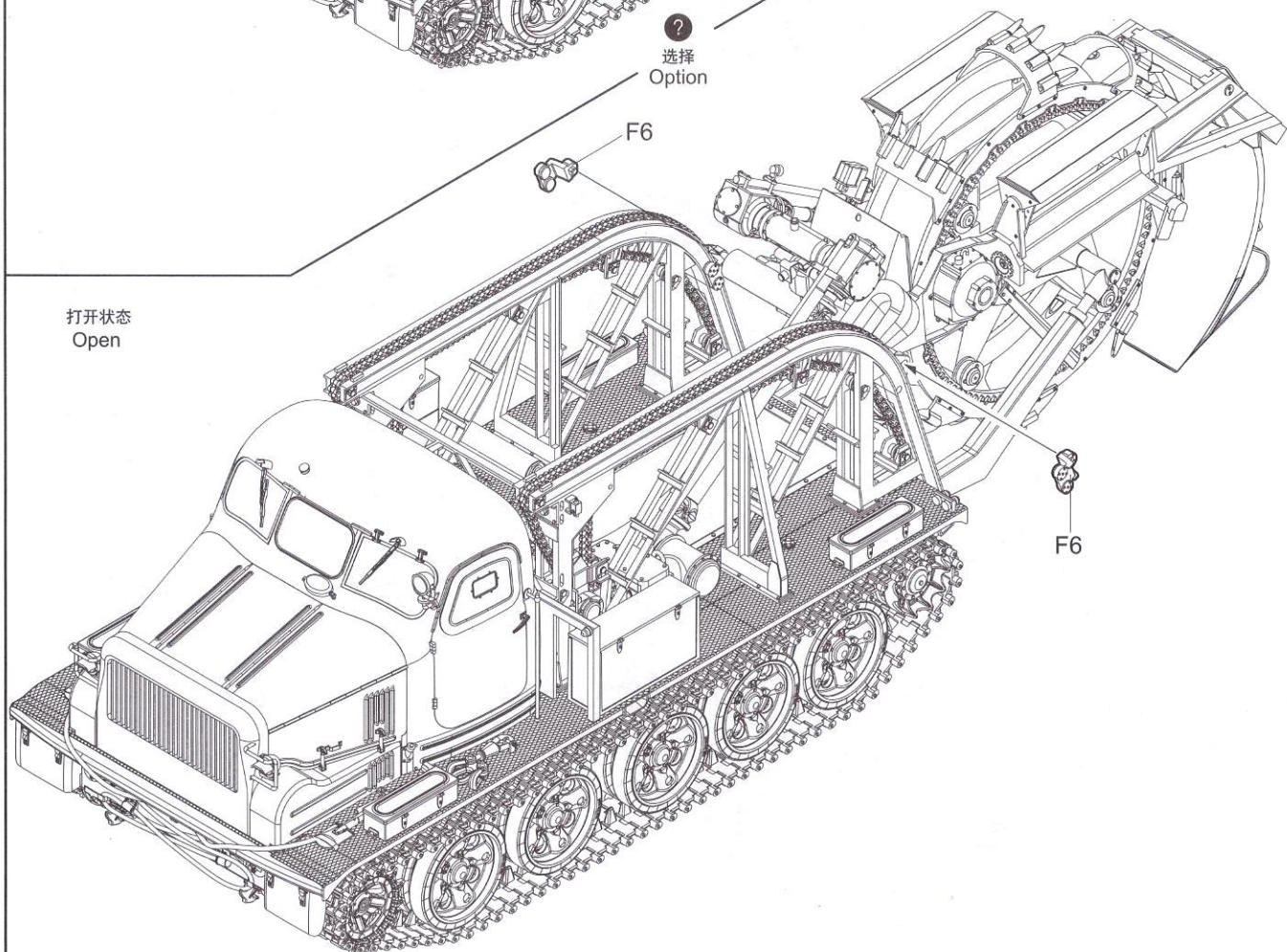
《A-F》





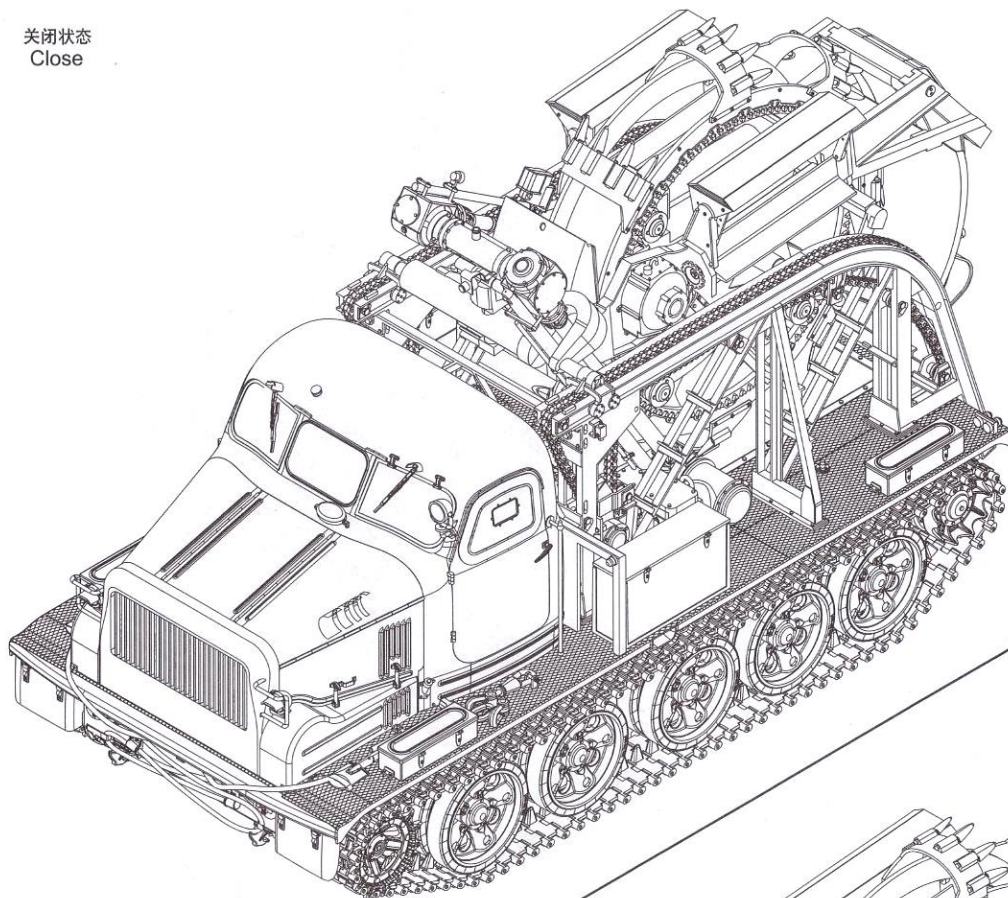
选择
Option

打开状态
Open

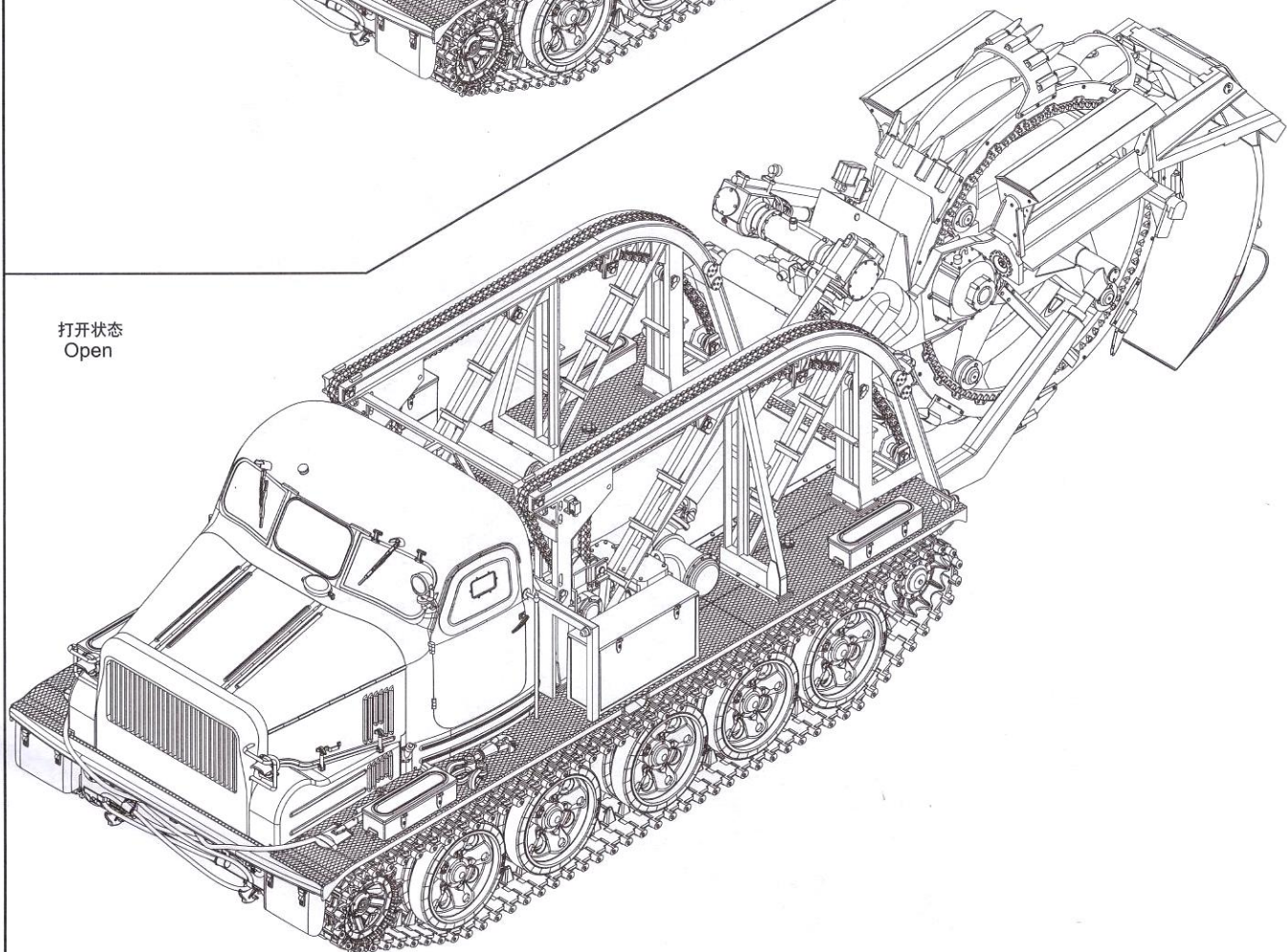


43

关闭状态
Close



打开状态
Open



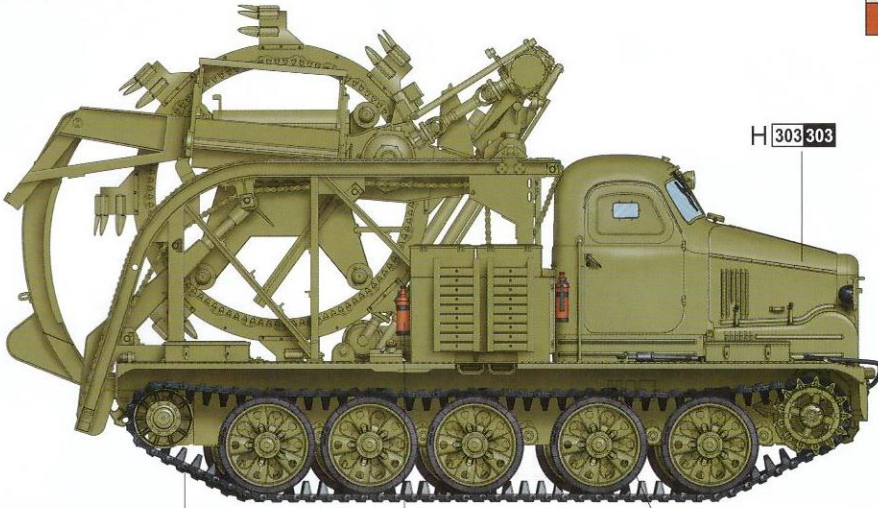
涂装同标贴指示

Painting & Marking guide

PAINT REFERENCE COLOUR

Color	Mr.Hobby	Vallejo	Model Master	Tamiya	Humbrol
Light Green 绿色	H 303 303	—	1713	XF20	117
Metal Black 黑铁色	H 18 28	864	1402	—	—
Wood Brown 木棕色	H 37 43	983	1701	—	186
Tire Black 胎黑色	H 77 137	—	—	—	—
Silver 银色	H 8 8	997	1546	X11	11
Red 红色	H 3 3	908	1503	X7	19

A

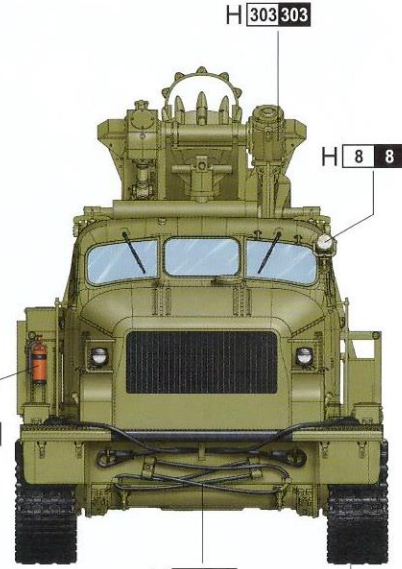


H 18 28

H 3 3

H 77 137

H 303 303



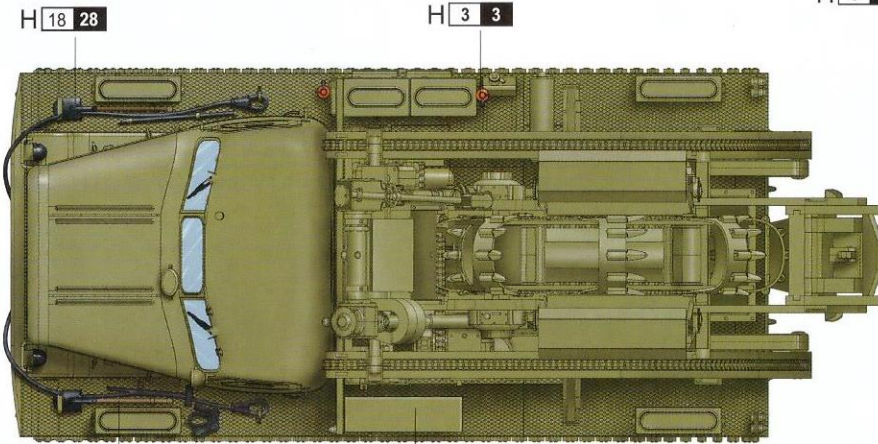
H 303 303

H 8 8

H 3 3

H 18 28

H 18 28



H 18 28

H 3 3

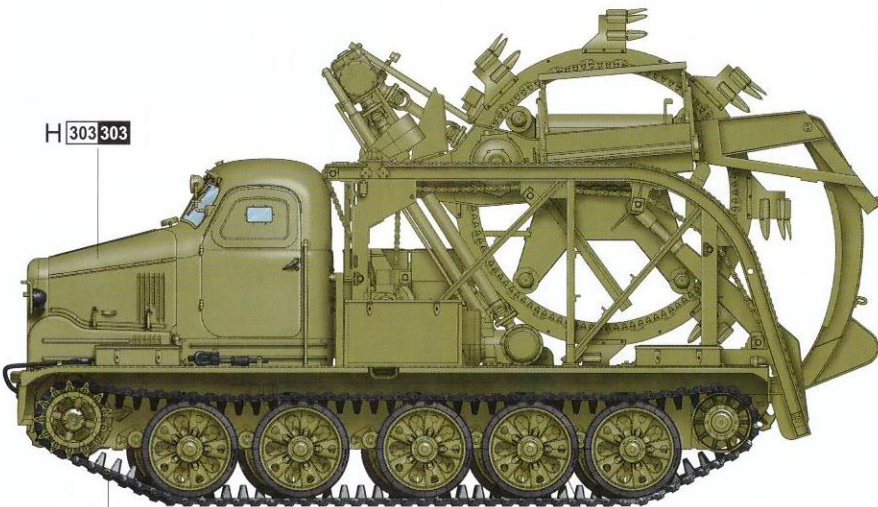
H 37 43

H 303 303



H 303 303

H 18 28



H 303 303

H 18 28

H 77 137

H [X] AQUEOUS HOBBY COLOUR

X [X] MR.COLOUR

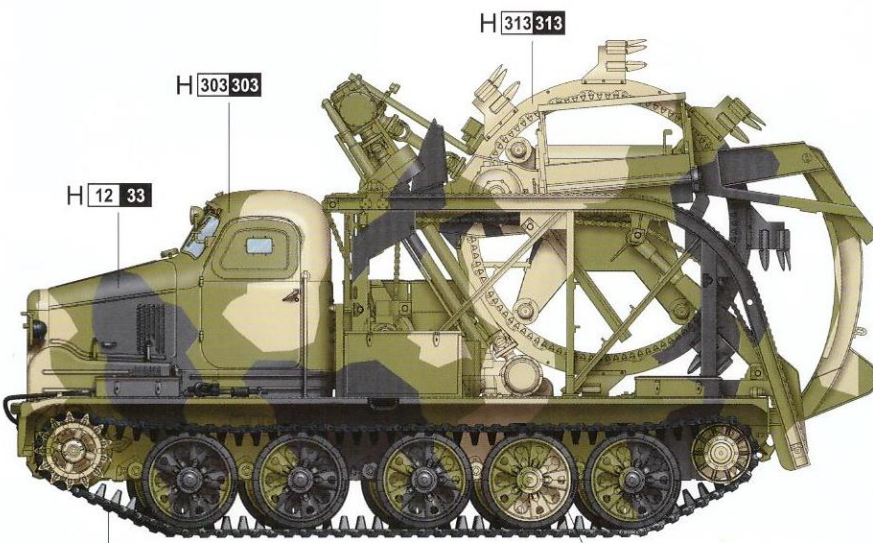
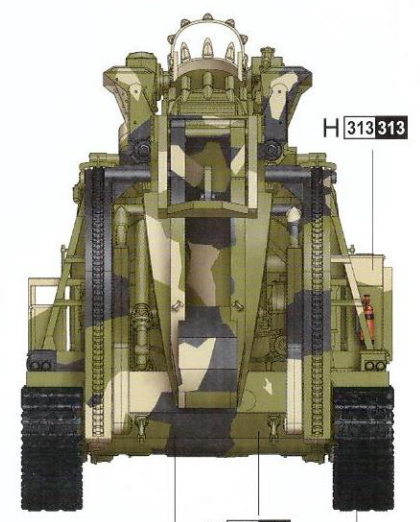
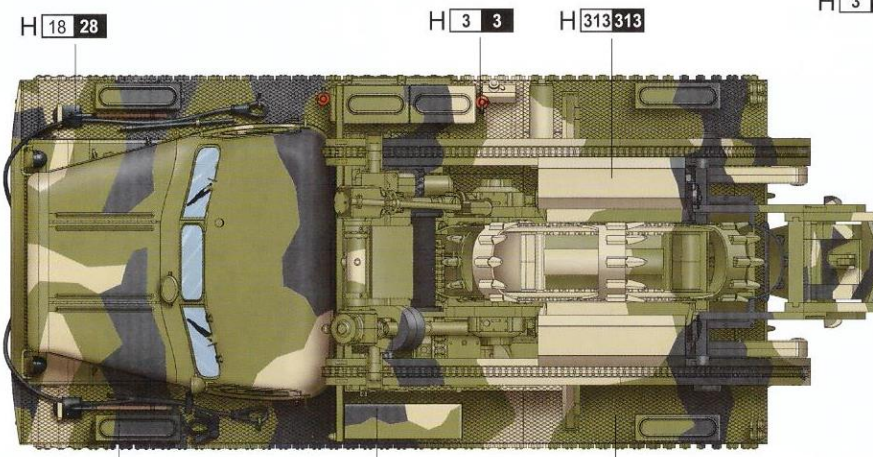
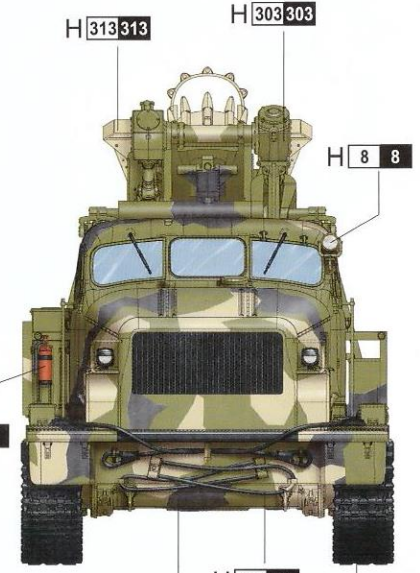
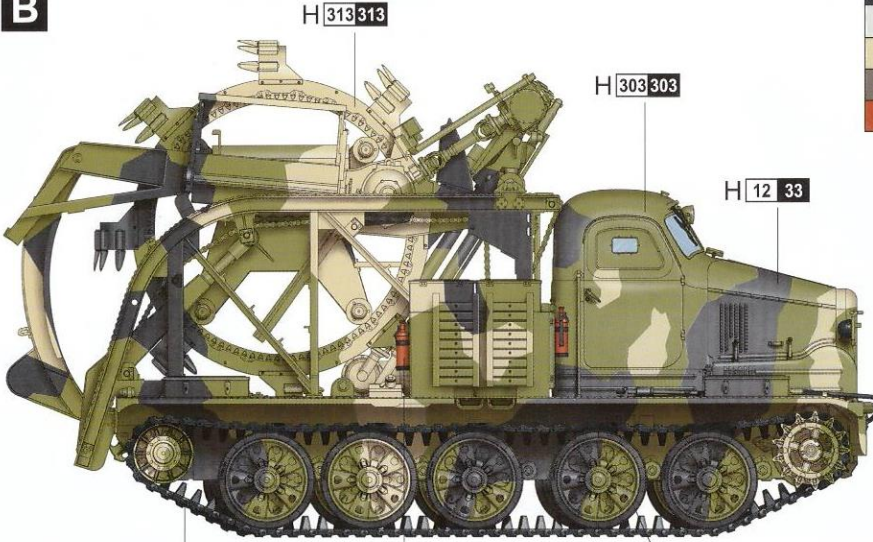
涂装同标贴指示

Painting & Marking guide

B

PAINT REFERENCE COLOUR

Color	Mr.Hobby	Vallejo	Model Master	Tamiya	Humbrol
Light Green 绿色	H 303 303	—	1713	XF20	117
Metal Black 黑铁色	H 18 28	864	1402	—	—
Wood Brown 木棕色	H 37 43	983	1701	—	186
Tire Black 胎黑色	H 77 137	—	—	—	—
Silver 银色	H 8 8	997	1546	X11	11
Yellow 黄色	H 313 313	819	1706	—	121
Flat Black 消光黑	H 12 33	950	1749	XF1	33
Red 红色	H 3 3	908	1503	X7	19



H [X] AQUEOUS HOBBY COLOUR

X MR.COLOUR