

1:72 SCALE

ITEM NO.:07238

US M113A1 Armored Car

美国 M113A1 装甲车



READ BEFORE ASSEMBLY:

- This kit is not recommended for inexperienced modelers or for children under 14 years of age
- Study and understand these instructions thoroughly before beginning assembly
- When needed, remove photo-etch parts carefully using a modeling knife or photo etch sprue cutter, being careful not to damage or lose small parts.
- Take extra care in handling photo etch parts in order to avoid injury
- Apply instant cement sparingly to photo etch parts where instructed
- Tools recommended(not included in kit):Plastic and instant cements,sprue cutters,long nose pliers,,modeling knife, small files, tweezers, pin vise & scissors. Soft cloth and sandpaper will also assist in construction
- Glue and paint are not included in the kit. Use plastic cement and hobby paints only. Color guide for purchasing paint is included in the kit.
- Keep out of reach of small children. They must not be allowed to ingest small parts or handle plastic bags in any way.

装配之前仔细阅读

- 小心用模型锉刀锉平所有零件表面的注射浇口。
- 小心用刀片切下蚀刻片零件，不要遗失小零件。
- 用强力快干胶水粘合蚀刻片零件和金属轴。过量的快干胶水使用可能导致可动零件会粘住，小心涂胶。
- 取蚀刻片时应特别注意安全，防止利边划伤手指。
- 某些零件表面需贴水上贴纸，请选择在装配的同时进行。
- 推荐模型工具(自备)：胶水，水口剪刀，长咀钳，刀片，锉刀，镊子，钳，钻，剪刀，瞬间快干胶。
- 软布同砂纸同时也应该是必备工具。
- 请使用塑料胶水和油漆，模型内不含。
- 谨防小孩吸吮塑料零件，或者将塑料袋套在头上，制作时应将套材远离小孩接触。
- 本产品不适合14岁以下没有经验的模型爱好者



cyanoacrylate glue
使用强力胶



weight
配重



make hole
钻孔



cut / remove
切除



bend
弯曲



file / sand
锉平



option
选择



no cement
不涂胶水



decal
贴纸

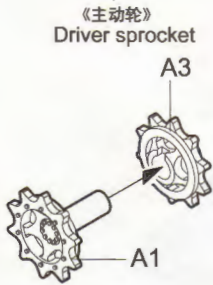
水贴纸的使用:

1. 从水贴上剪下印花;
2. 将印花放入温水中浸10秒, 然后放在干净布上。
3. 拿着印花纸板将印花移到模型上;
4. 手指蘸水将印花移到适当的位置;
5. 用软布轻压印花直至水干, 汽泡消失。

DECAL APPLICATION

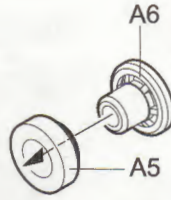
1. Cut off decal from sheet.
2. Dip the decal in tepid water 40°C for about 10 sec. and place on a clean cloth.
3. Hold the backing sheet edge and slide decal onto the model.
4. Move decal into position by wetting decal with finger.
5. Press decal gently down with a soft cloth until excess water and air bubbles are gone.

1 车轮组装 Wheel assembly



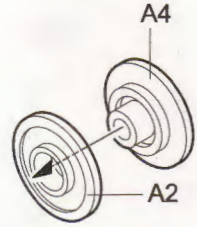
制作2组
Make two

《诱导轮》
Idler wheel



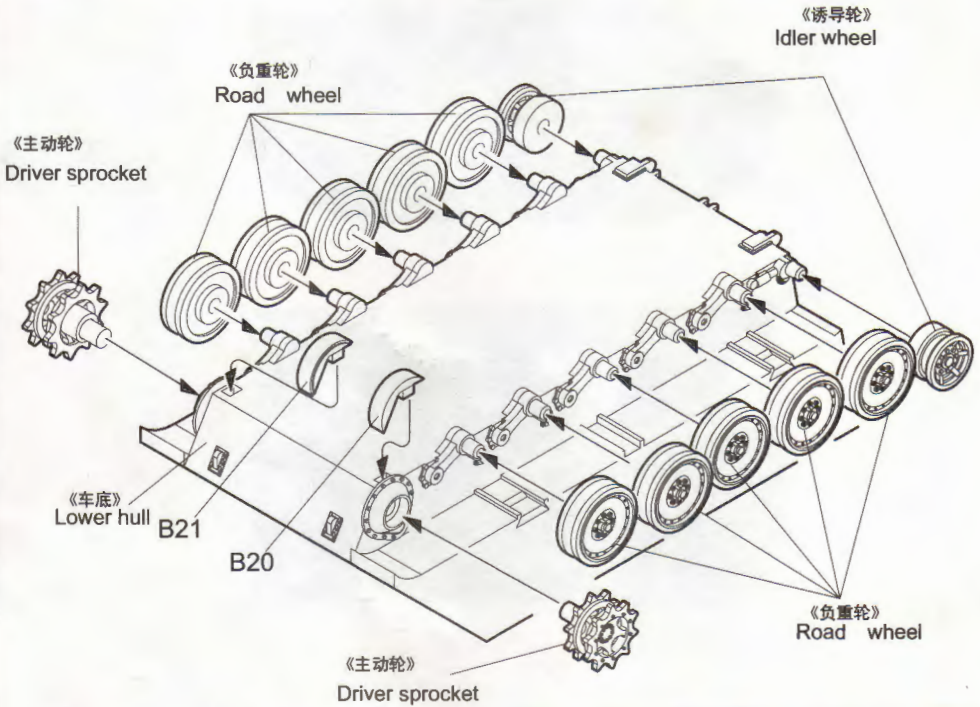
制作2组
Make two

《负重轮》
Road wheel



制作10组
Make ten

2 车轮安装 Attaching wheel



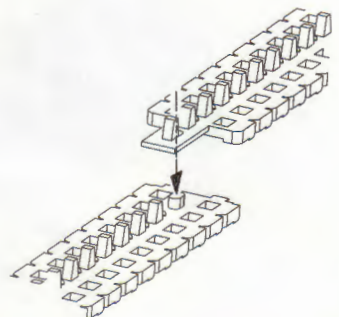
履带联接 Track construction

*根据实际要求选择履带尺寸。

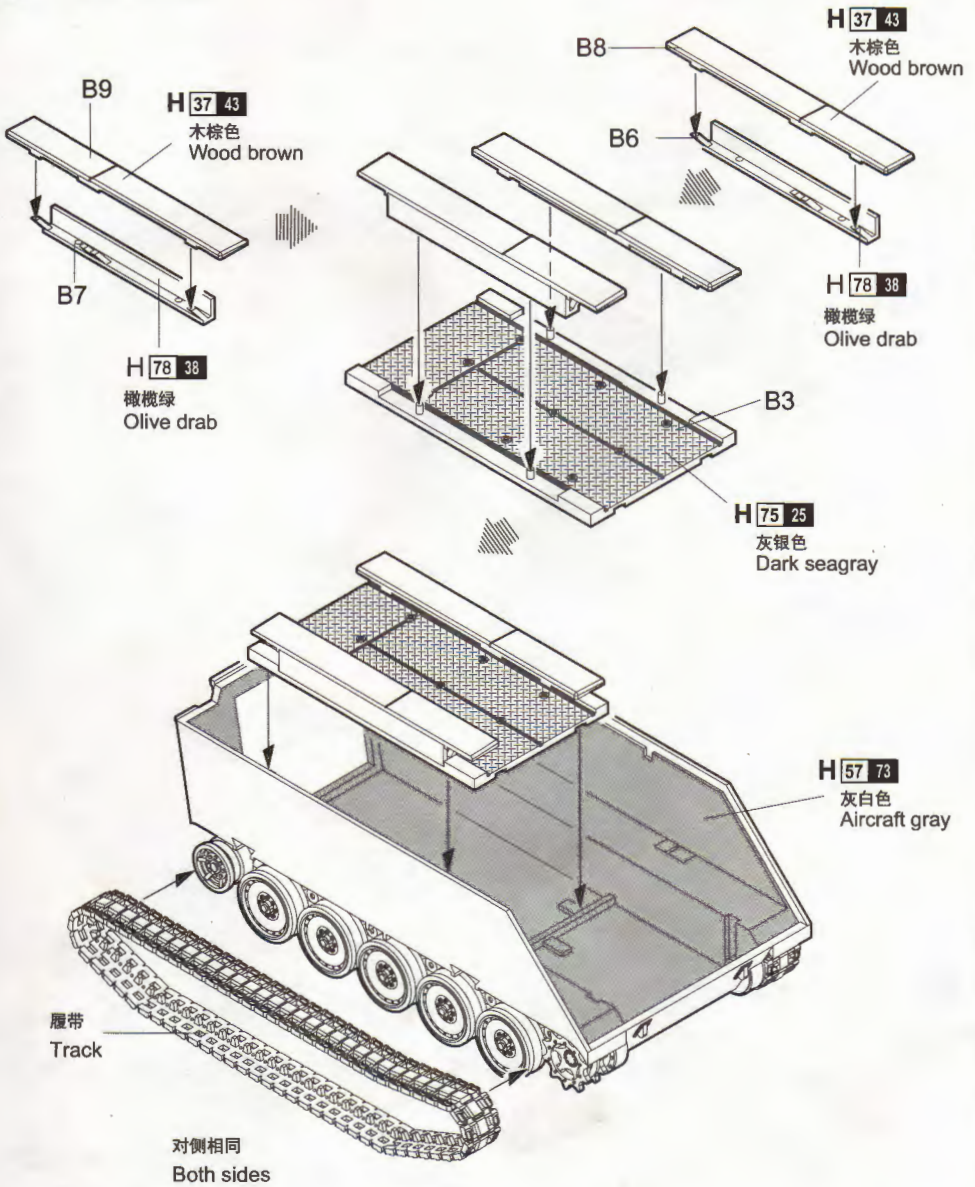
*若履带断裂，用细丝线固定。

*Melt pin heads carefully with a heated nail etc.
Immediately press pin heads with your finger.

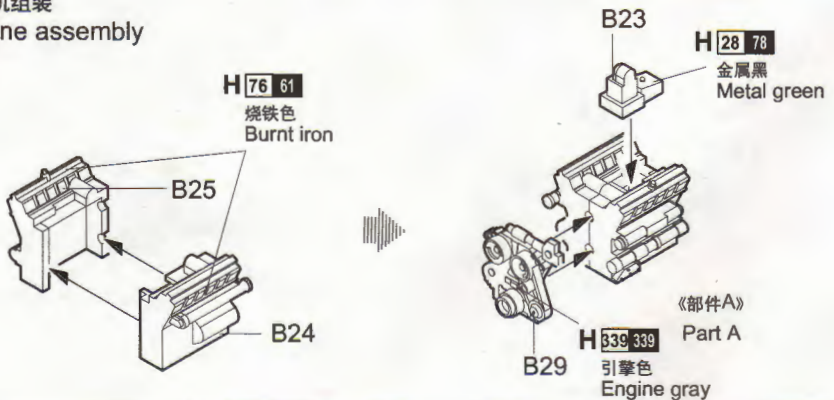
*If track is broken strengthen with staples or thread.



3 车体组装 Hull assembly

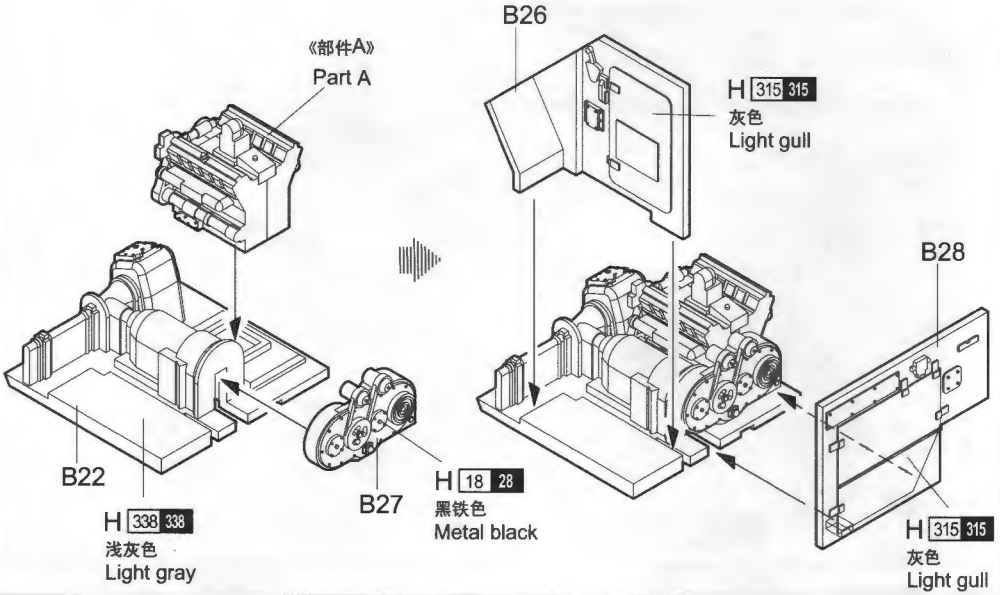


4 发动机组装 Engine assembly



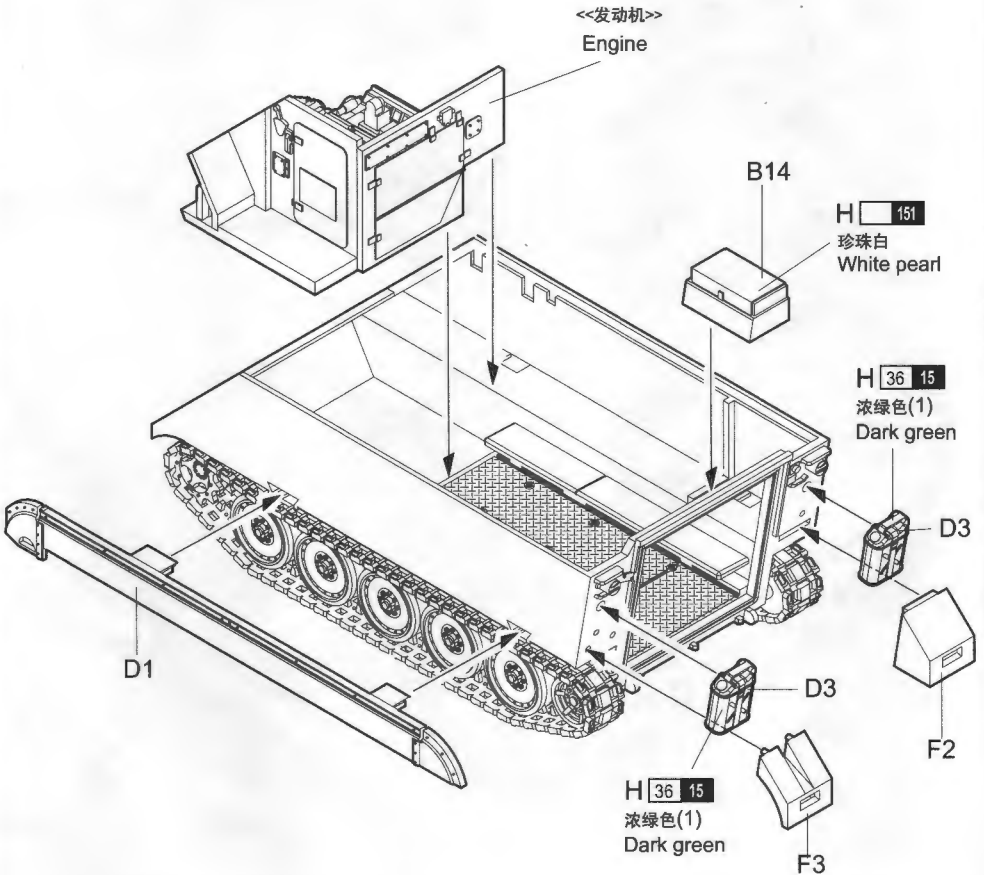
5

发动机组装
Engine assembly

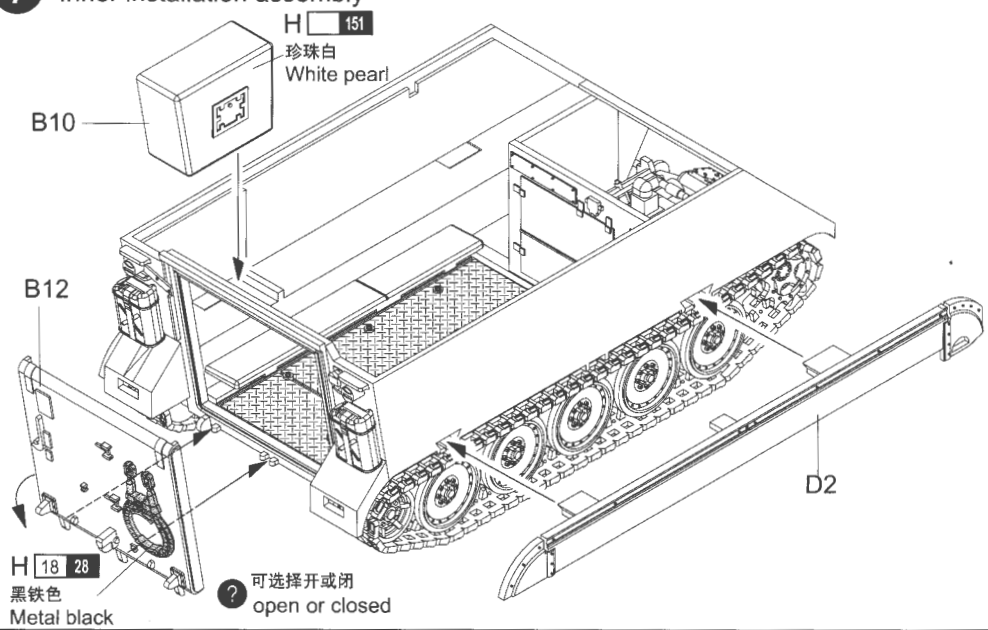


6

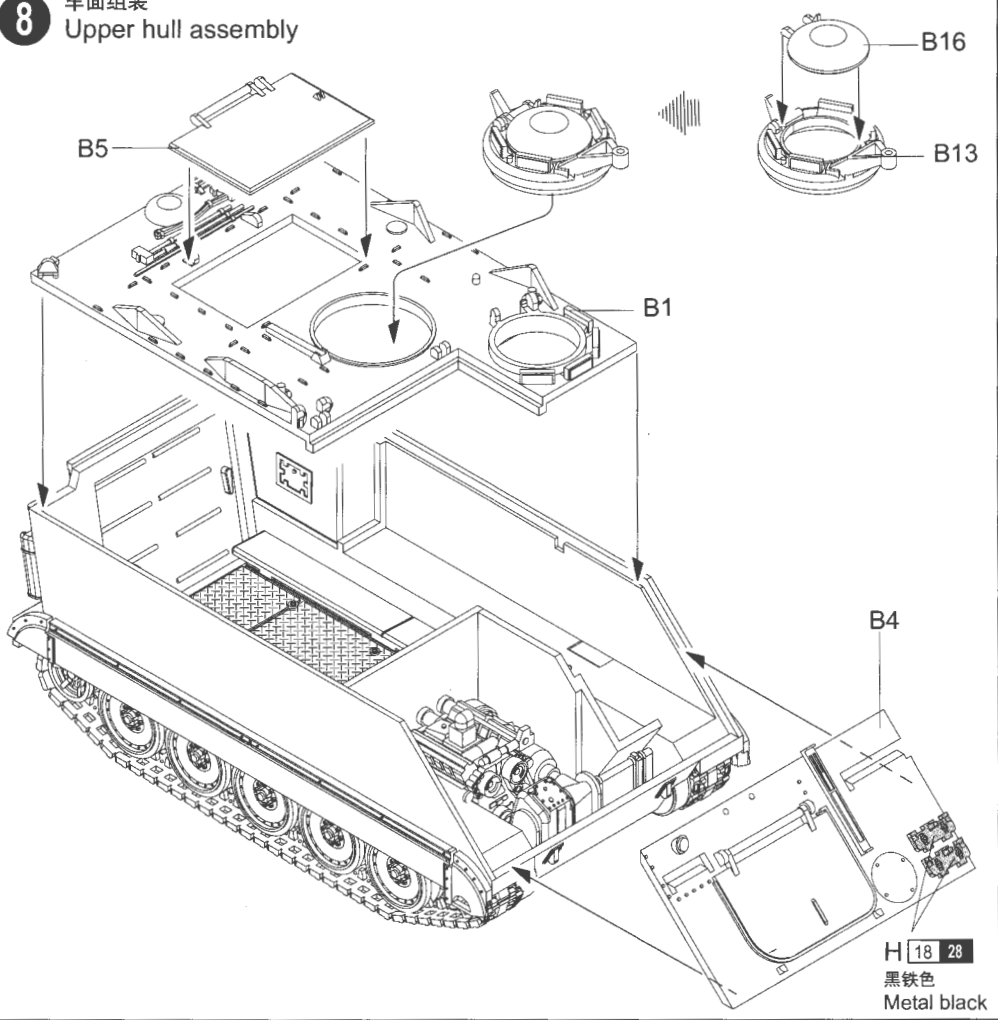
车内零件组装
Inner installation



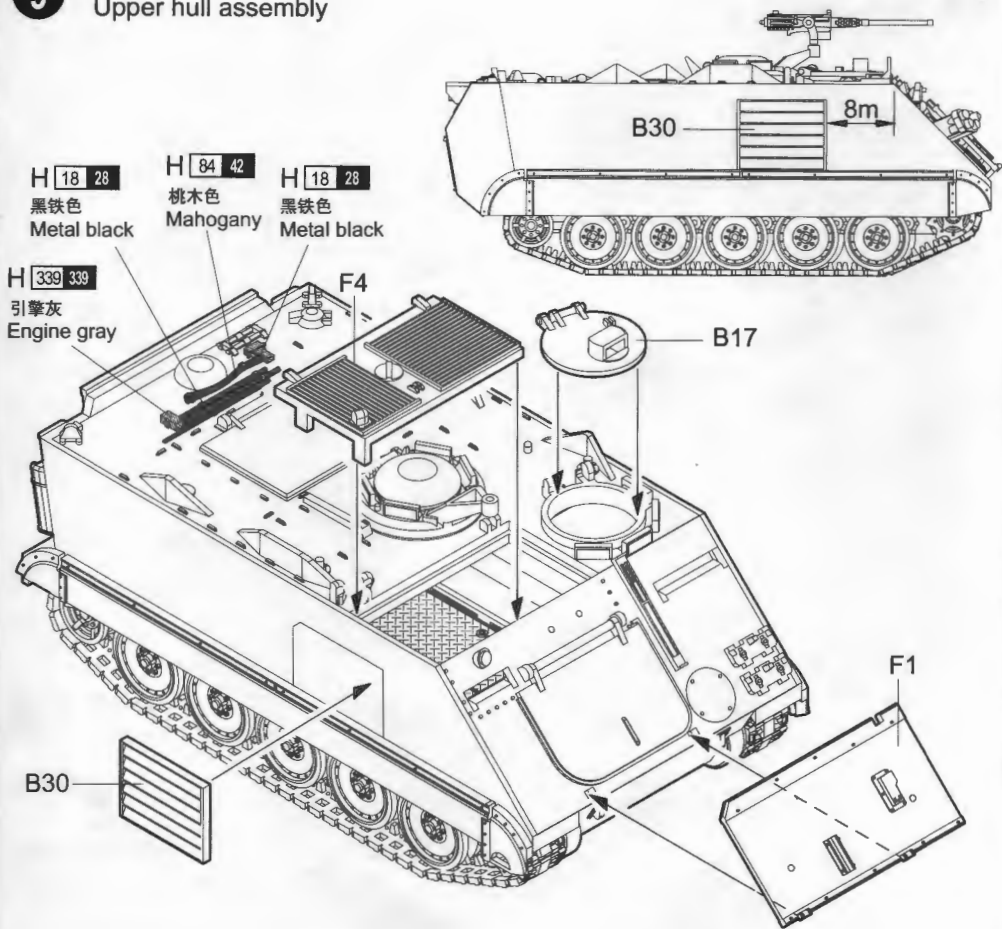
7 车内零件组装
Inner installation assembly



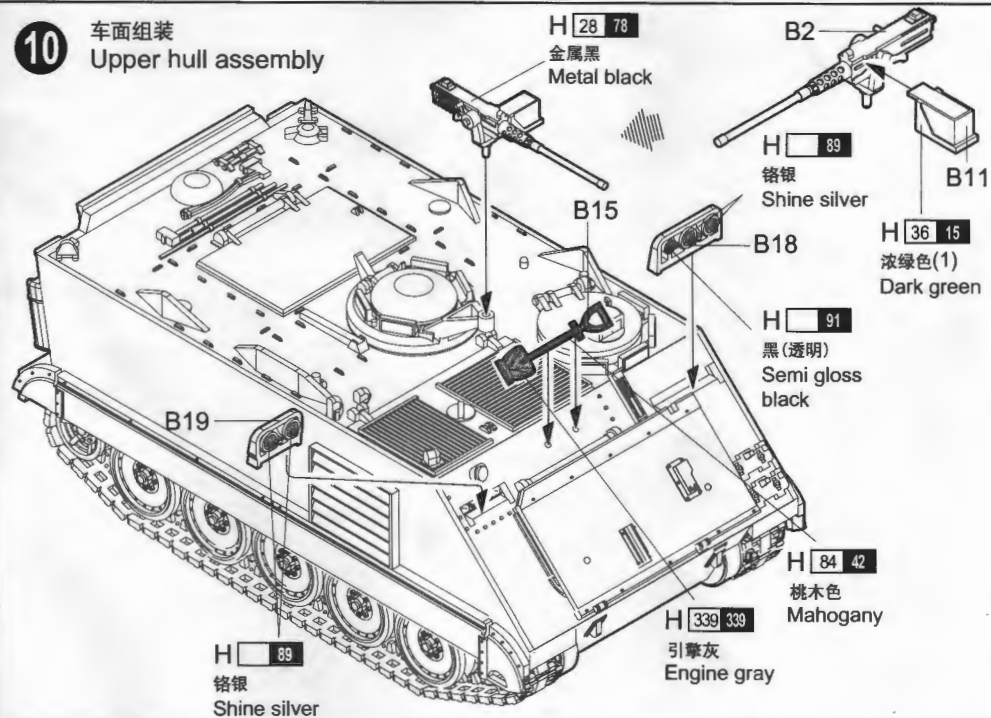
8 车面组装
Upper hull assembly



9 车面组装
Upper hull assembly



10 车面组装
Upper hull assembly



涂装同标贴指示
Painting & Marking guide

郡仕色使用

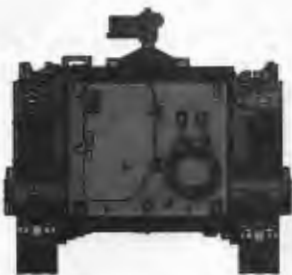
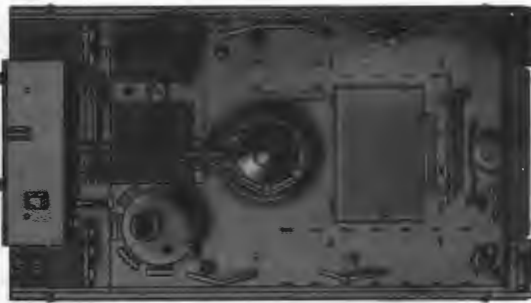
Gunze Mr. color used



H 52 12

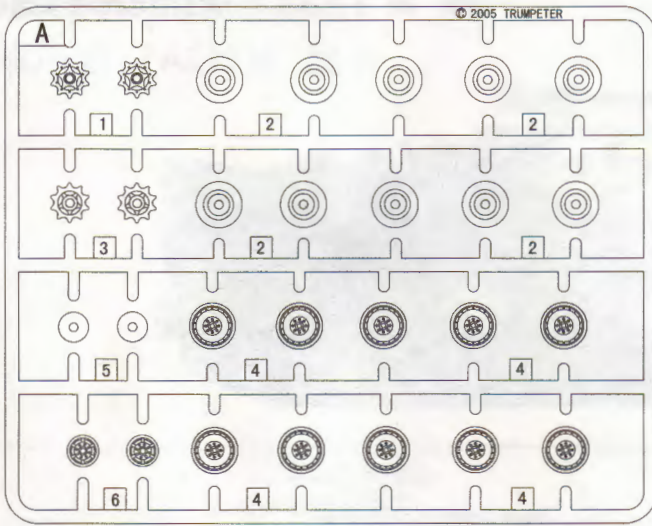
橄欖綠

Olive drab(1)

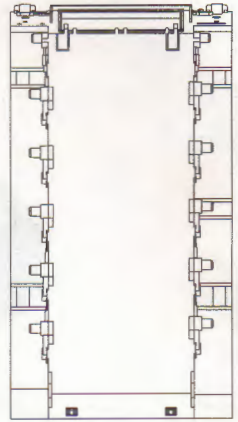


部品图 Parts

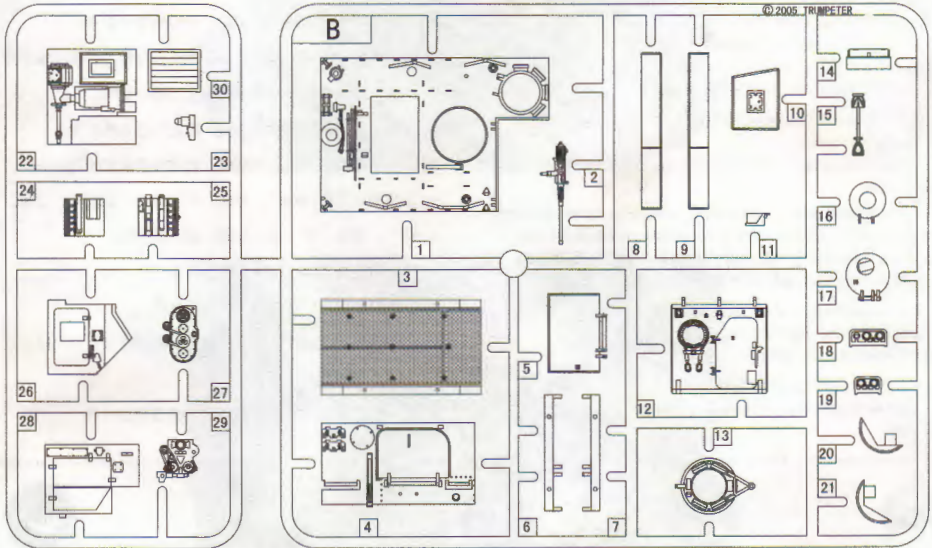
A



车底 Lower hull



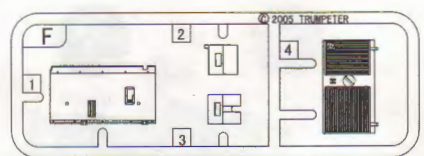
B



D



F



履带
Track



水贴
Decal

