

ITEM NO.:02257

F6F-5 Hellcat

1:32 SCALE

F6F-5 地狱猫战斗机

READ BEFORE ASSEMBLY:

- This kit is not recommended for inexperienced modelers or for children under 14 years of age
- Study and understand these instructions thoroughly before beginning assembly
- When needed, remove photo-etch parts carefully using a modeling knife or photo etch sprue cutter, being careful not to damage or lose small parts.
- Take extra care in handling photo etch parts in order to avoid injury
- Apply instant cement sparingly to photo etch parts where instructed

- Tools recommended(not included in kit):Plastic and instant cements,sprue cutters,long nose pliers,modeling knife, small files, tweezers, pin vise & scissors. Soft cloth and sandpaper will also assist in construction
- Glue and paint are not included in the kit. Use plastic cement and hobby paints only. Color guide for purchasing paint is included in the kit.
- Keep out of reach of children. They must not be allowed to ingest small parts or handle plastic bags in any way.

装配之前仔细阅读

- 小心用模型锉刀锉平所有零件表面的注射浇口。
- 小心用刀片切下蚀刻片零件，不要遗失小零件。
- 用强力快干胶水粘合蚀刻片零件和金属轴。过量的快干胶水使用可能导致可动零件会粘住，小心涂胶。
- 取蚀刻片时应特别注意安全，防止利边划伤手指。
- 某些零件表面需贴水贴纸，请选择在装配的同时进行。
- 推荐模型工具(自备)：胶水，水口剪刀，长咀钳，刀片，锉刀，镊子钳，钻，剪刀，瞬间快干胶。
- 软布同砂纸同时也应该是必备工具。
- 请使用塑料胶水和油漆，模型内不含。
- 谨防小孩吸吮塑料零件，或者将塑料袋套在头上，制作时应将套材远离小孩接触。
- 本产品不适合14岁以下没有经验的模型爱好者。

水贴纸的使用:

1. 从水贴上剪下印花;
2. 将印花放入温水中浸10秒, 然后放在干净布上.
3. 拿着印花纸板将印花移到模型上;
4. 手指蘸水将印花移到适当的位置;
5. 用软布轻压印花直至水干, 气泡消失.

DECAL APPLICATION:

1. Cut decals from sheet as needed
2. Dip the decal in warm water for about 10 seconds and then place on soft clean cloth.
3. Hold the decal backing sheet edge and gently slide the decal onto the model in its proper position.

4. While still wet, decal can be adjusted for better fit on model by dampening it gently with your finger.
5. When placed in the proper position, gently press decal down with a soft cloth until excess water and air bubbles are gone.
6. Allow decal to dry completely before handling model



cyanocrylate glue
使用强力胶



weight
配重



make hole
钻孔



cut / remove
切除



option
选择



no cement
不涂胶水



decal
贴纸

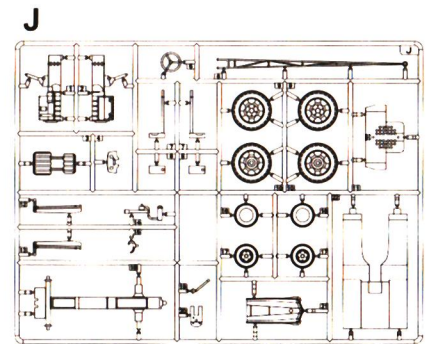
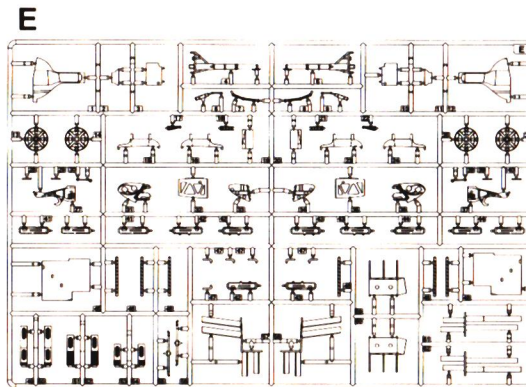
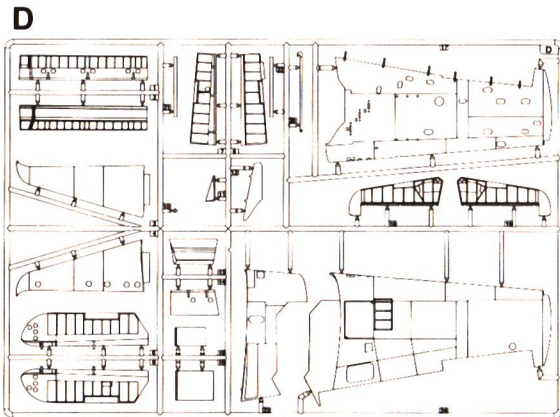
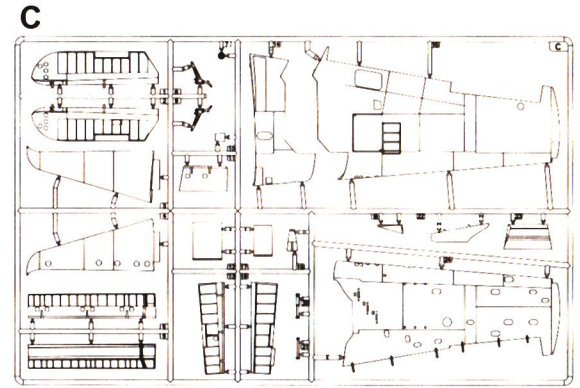
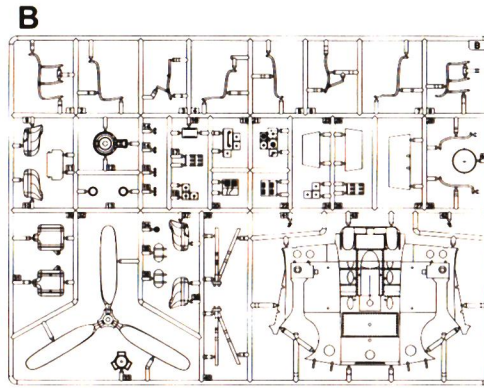
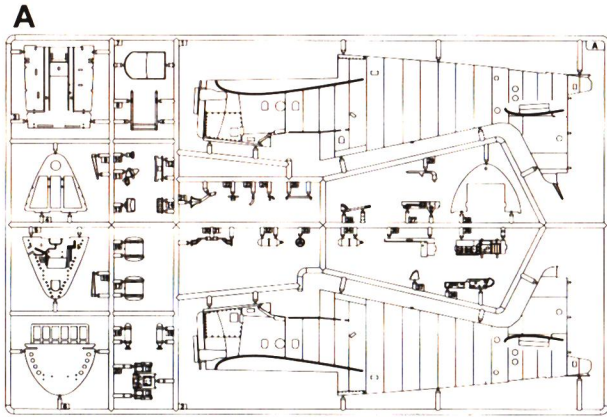


bend
弯曲

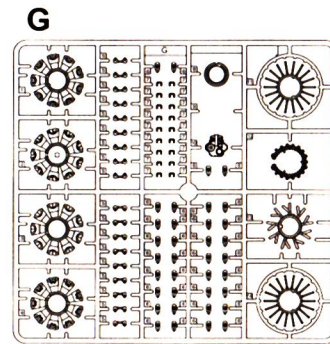
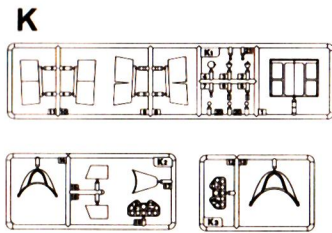


file / sand
锉平

部品图
Parts



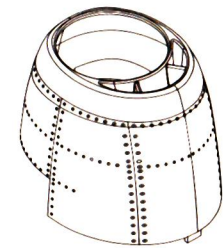
部品图
Parts



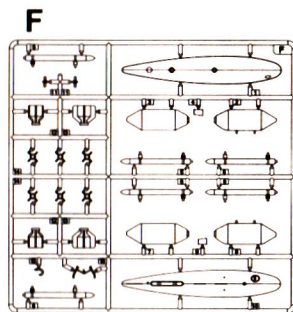
<<主轮胎>> × 2
Main tyre



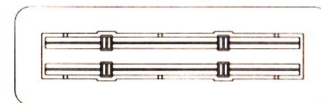
<<尾轮胎>>
Tail tyre



<<引擎罩>>
Cowling



<<蚀刻片>>
Photo etched parts(PE)



不用的部件: A16 D10 K12 K14 K15 K16 K17
Unused part

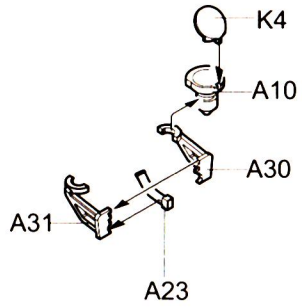
<<水贴>>
Decal



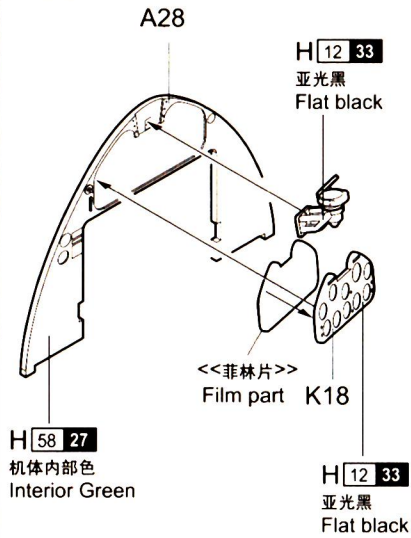
<<菲林片>>
Film part



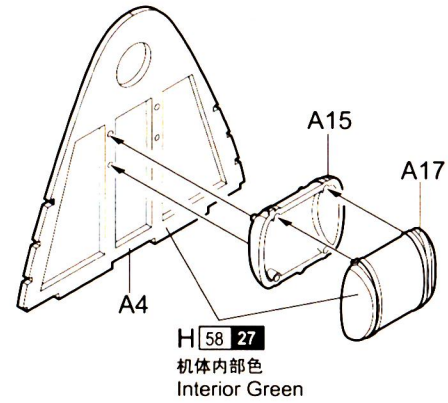
1



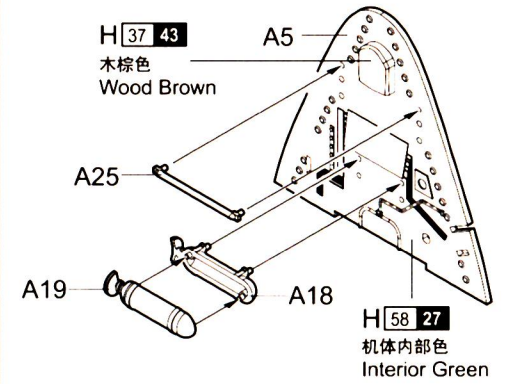
2



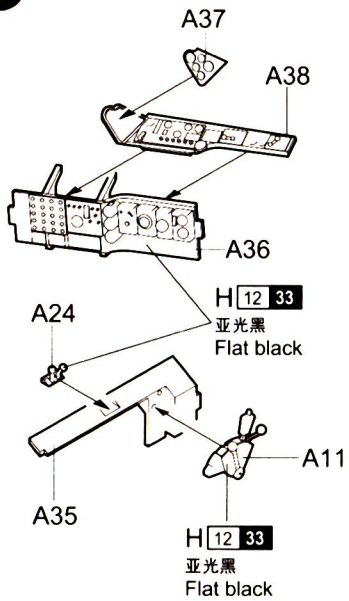
3



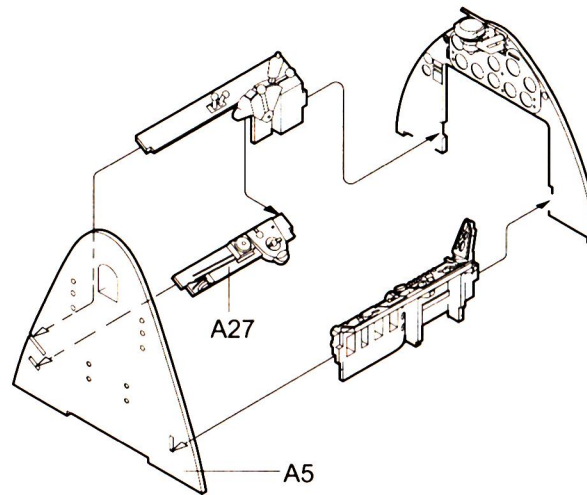
4



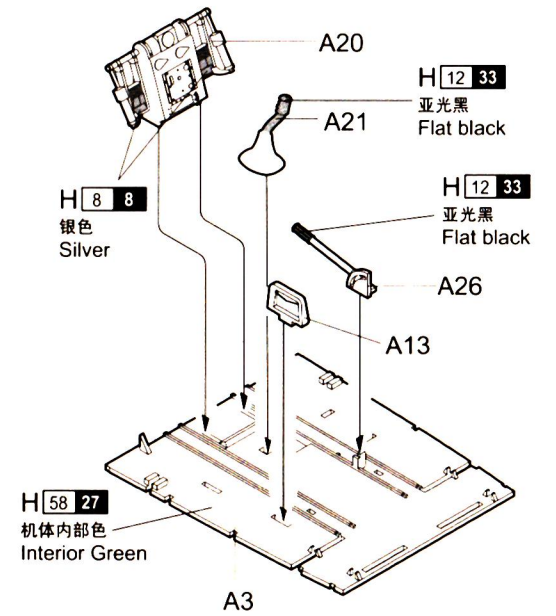
5



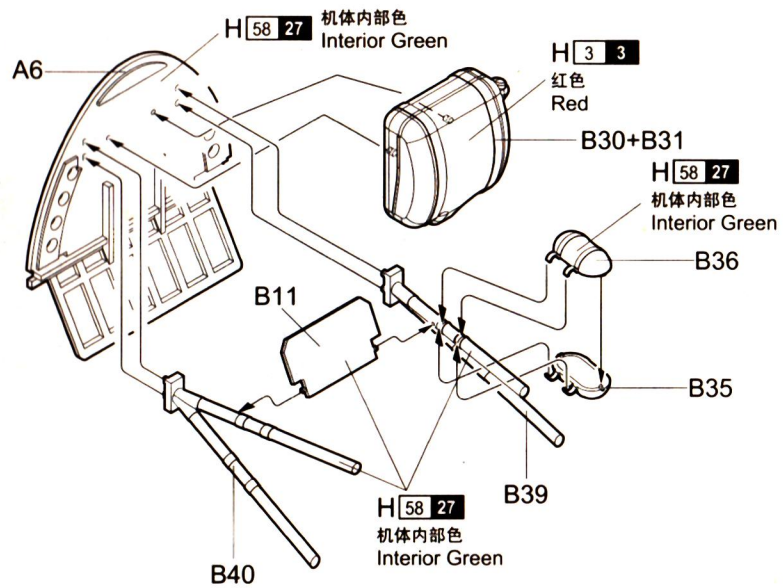
6



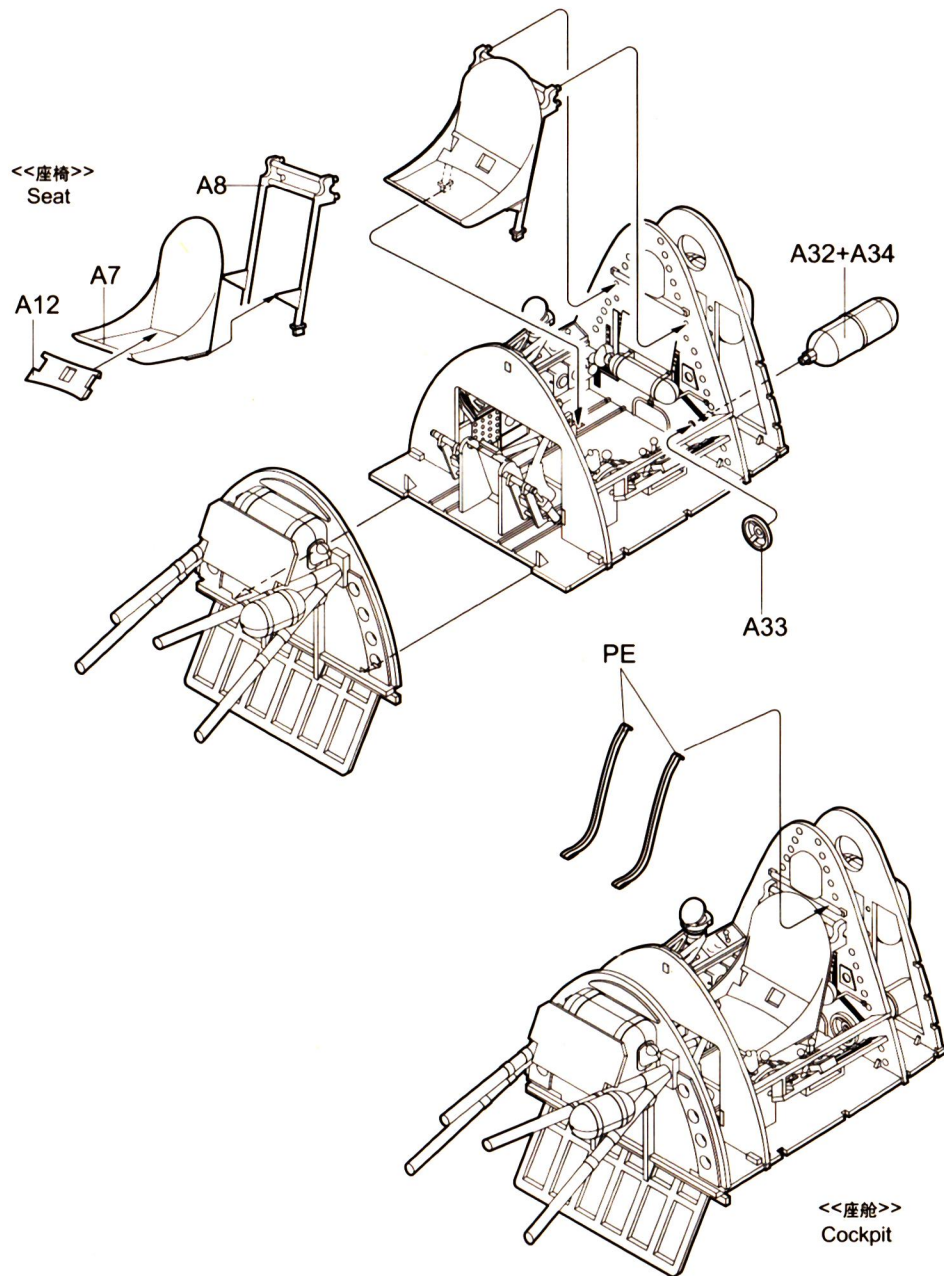
7



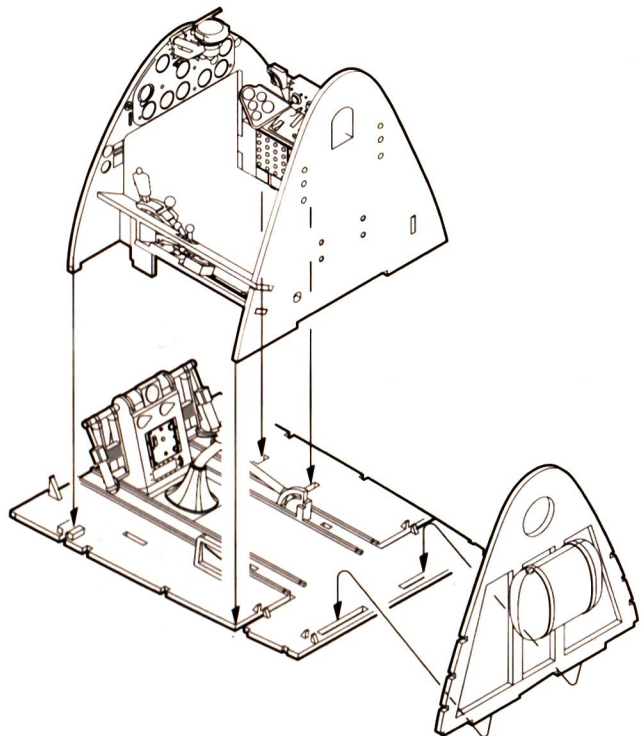
8



10

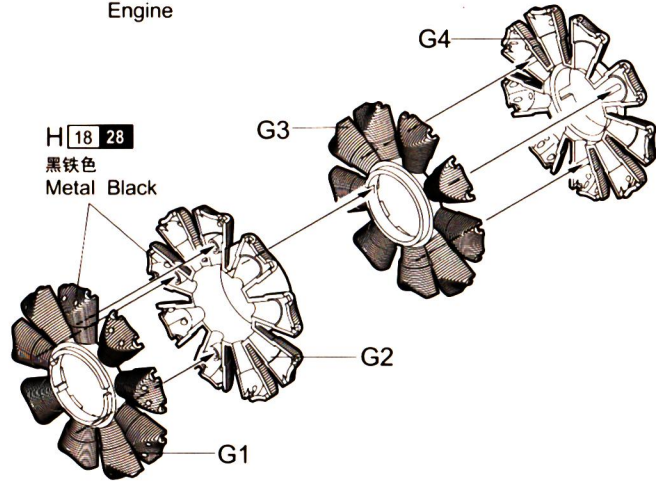


9



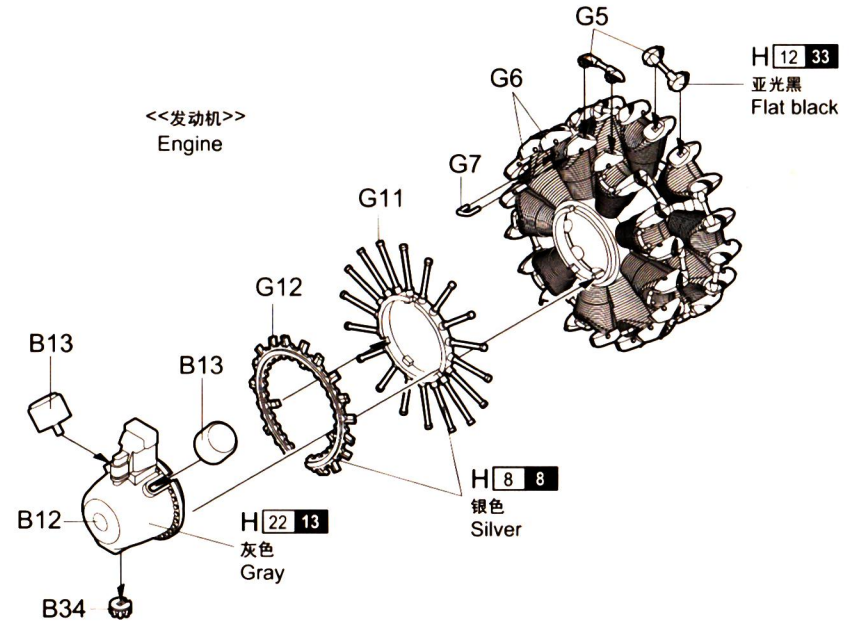
11

<<发动机>>
Engine



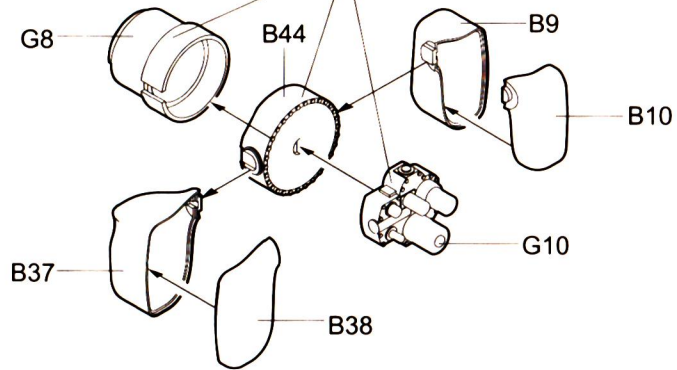
12

<<发动机>>
Engine



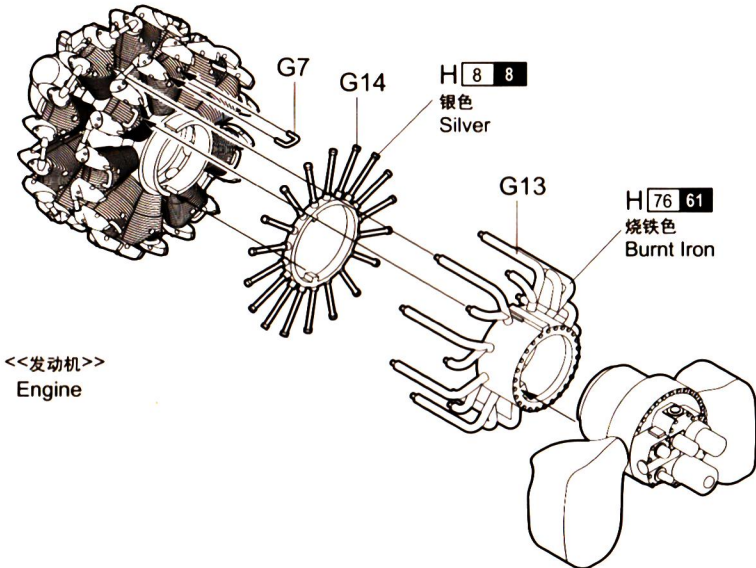
13

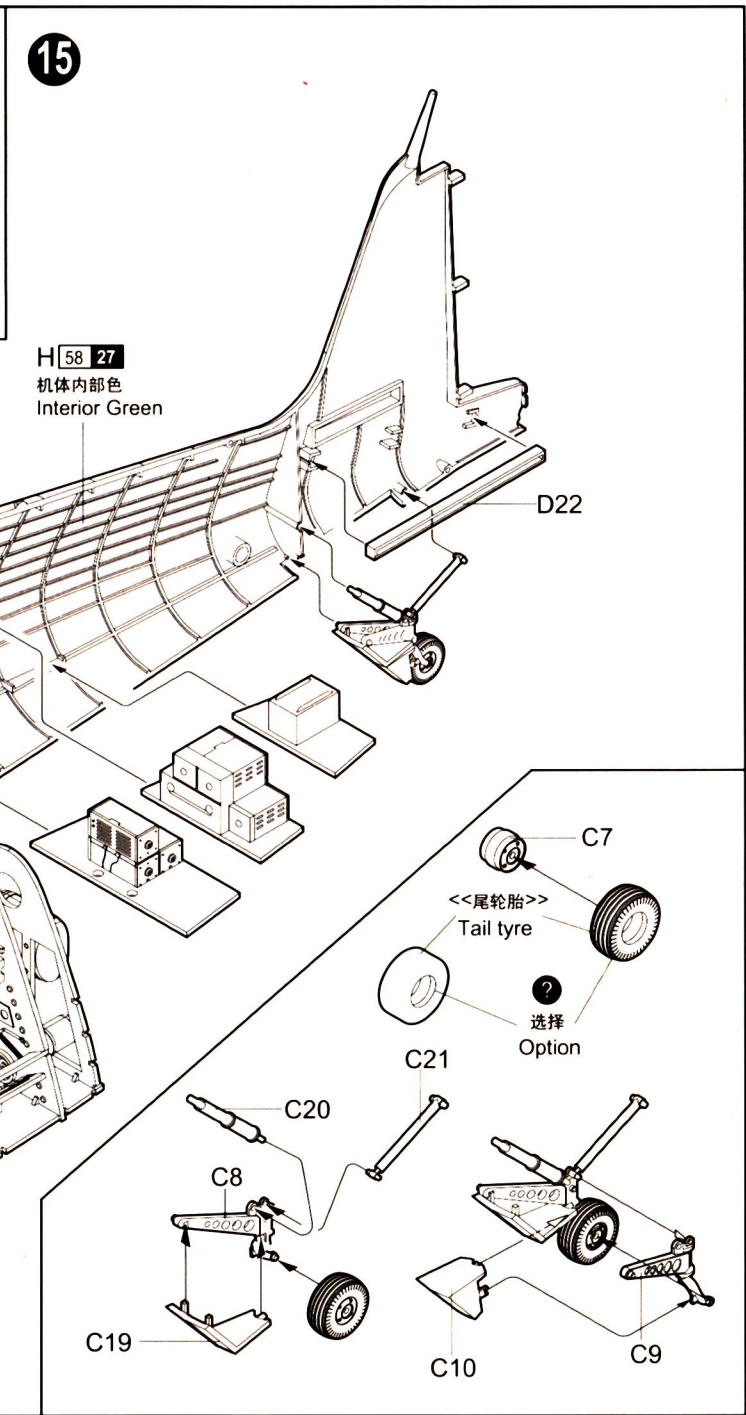
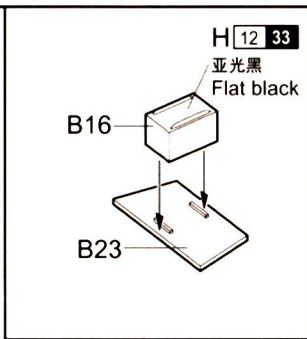
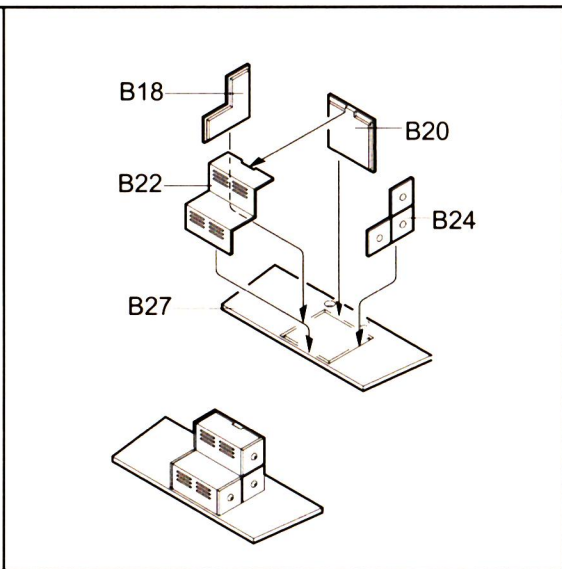
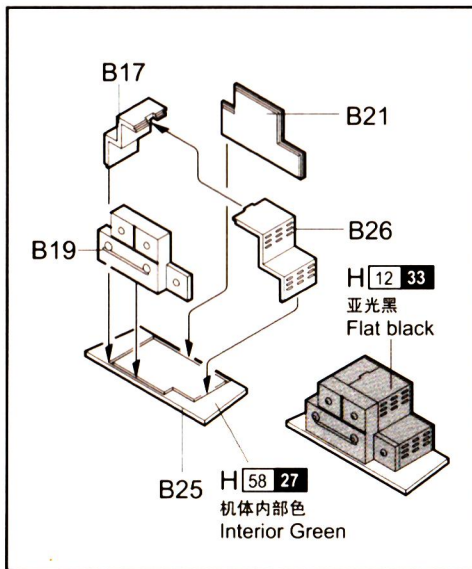
H 58 27
机体内部色
Interior Green



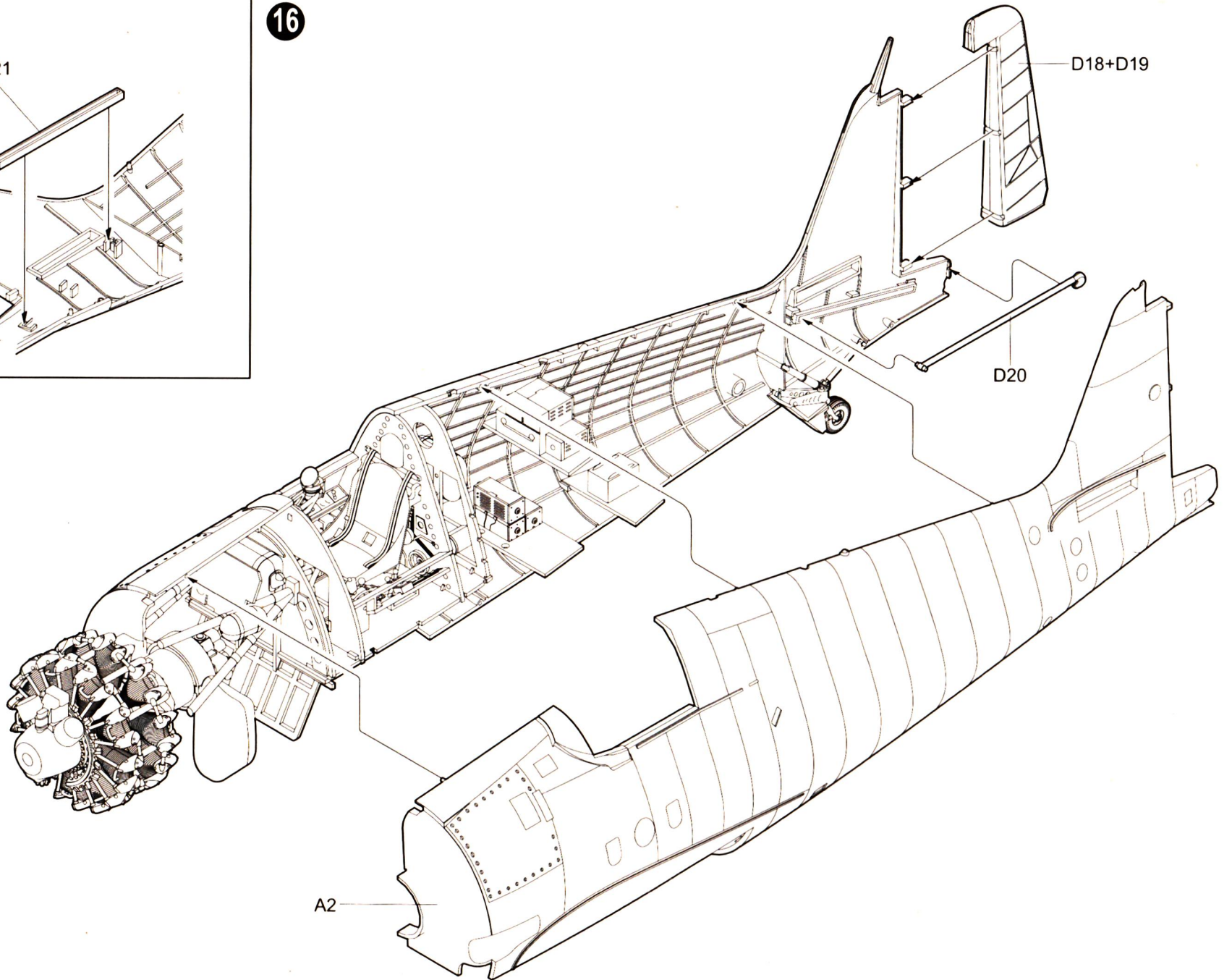
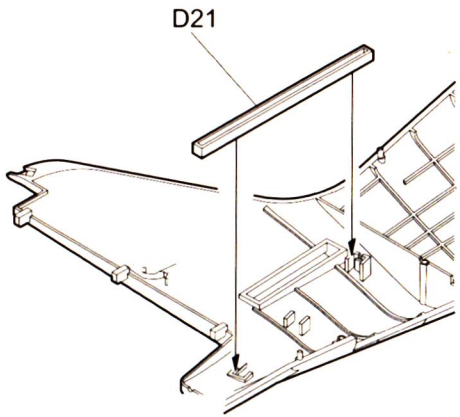
14

<<发动机>>
Engine

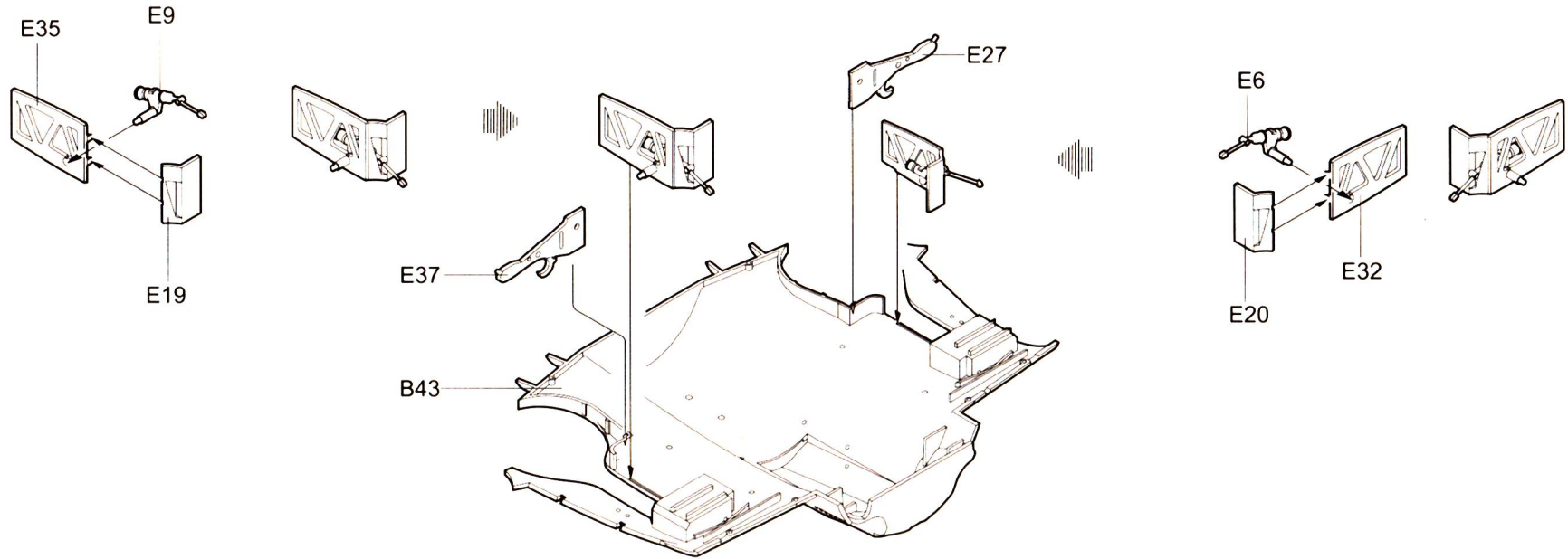




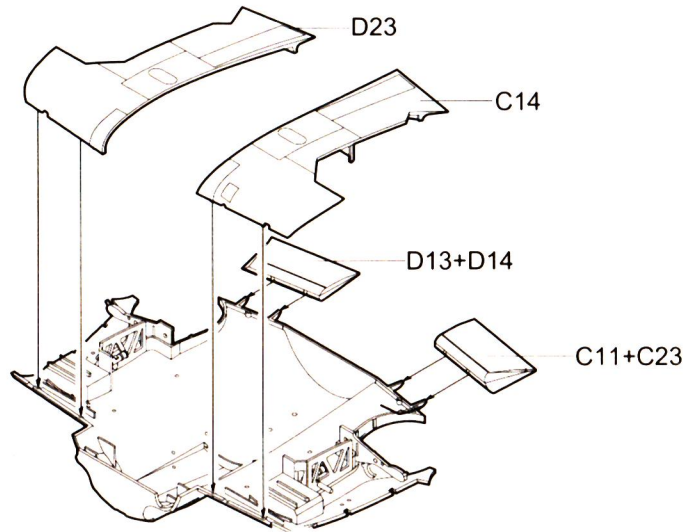
16



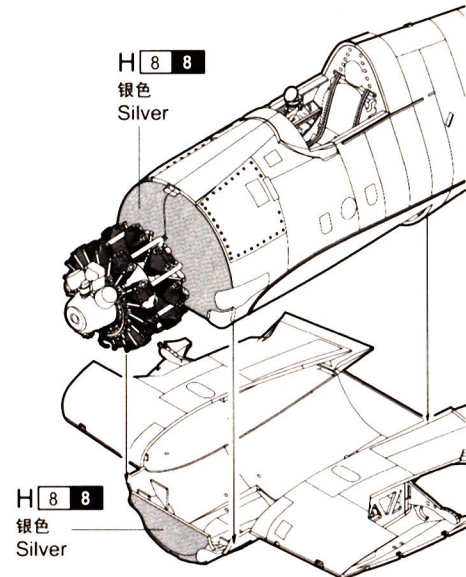
17



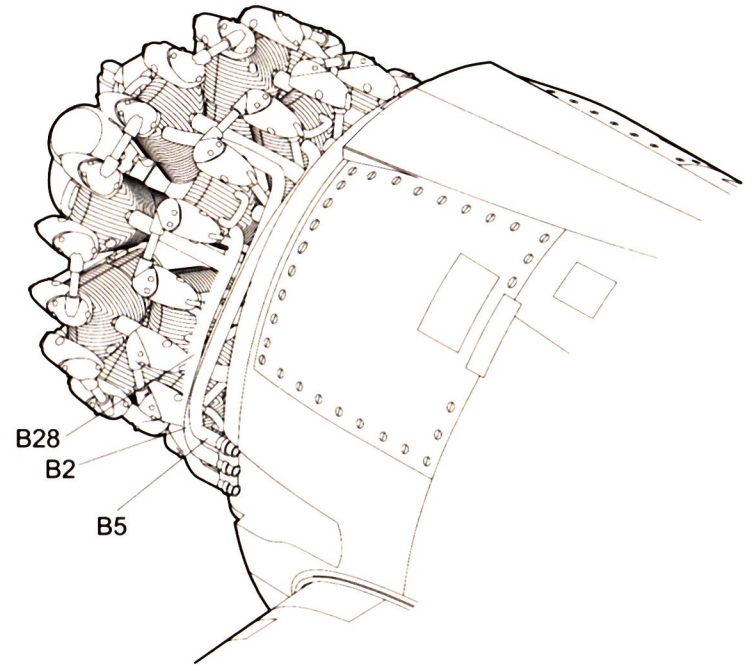
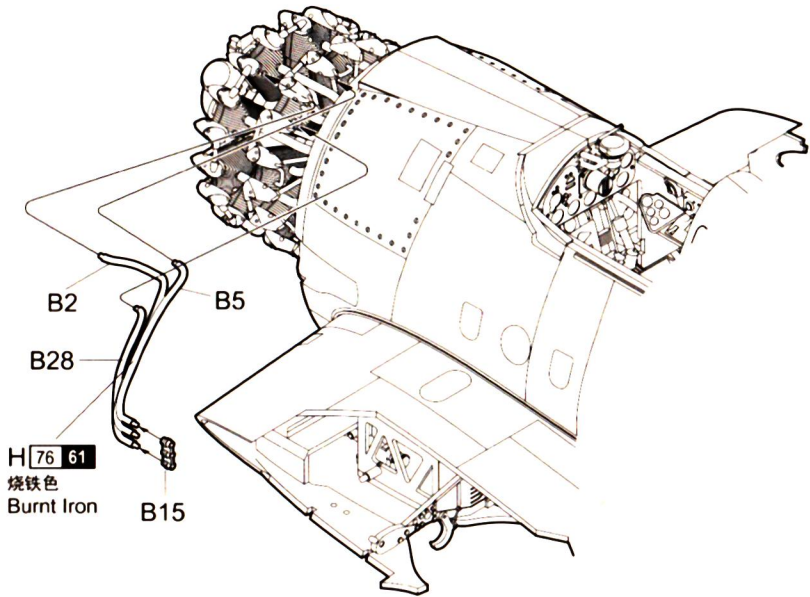
18



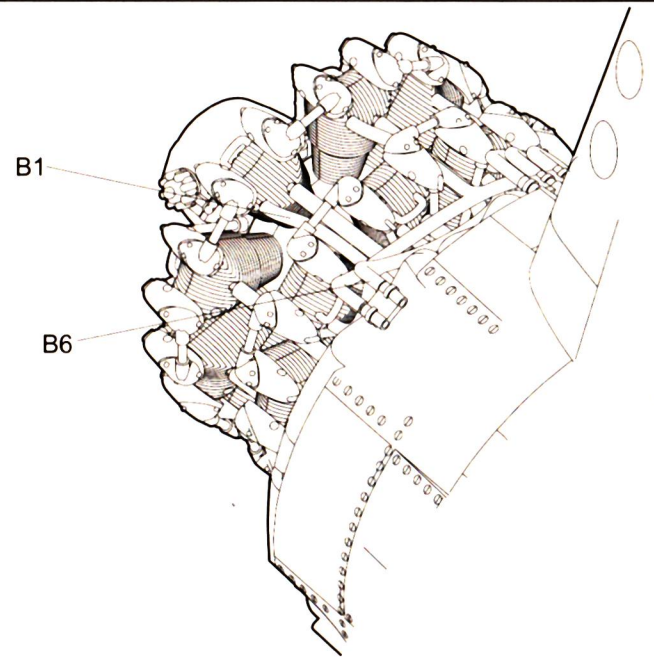
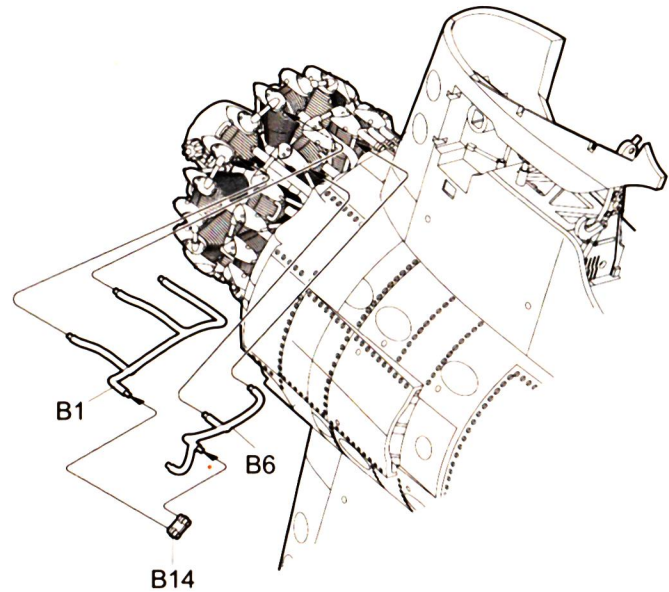
19



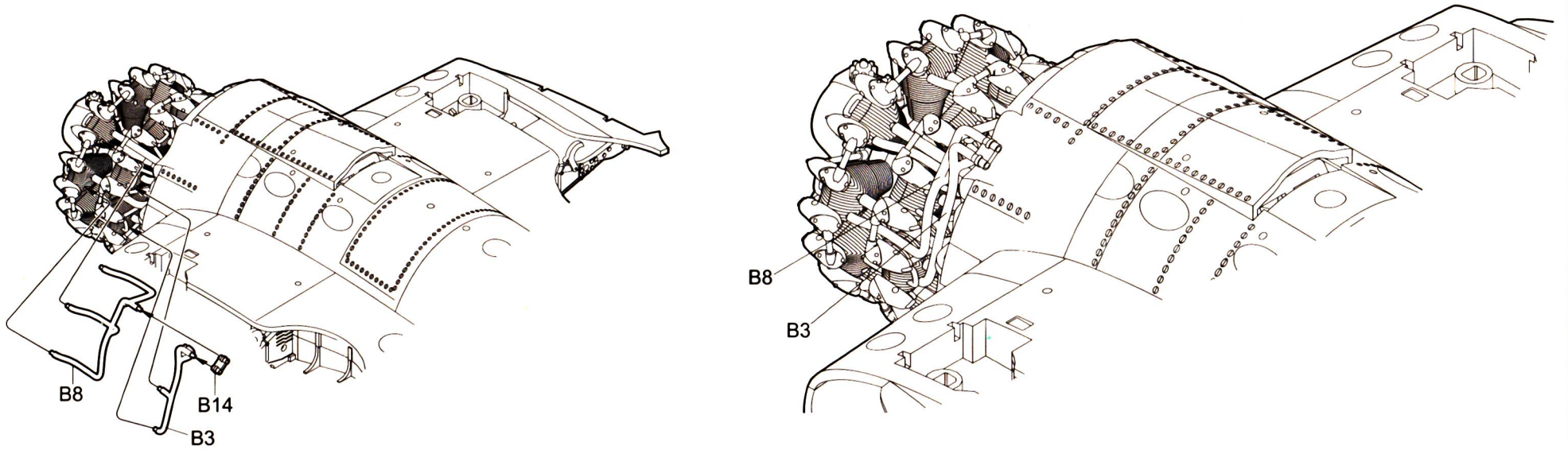
20



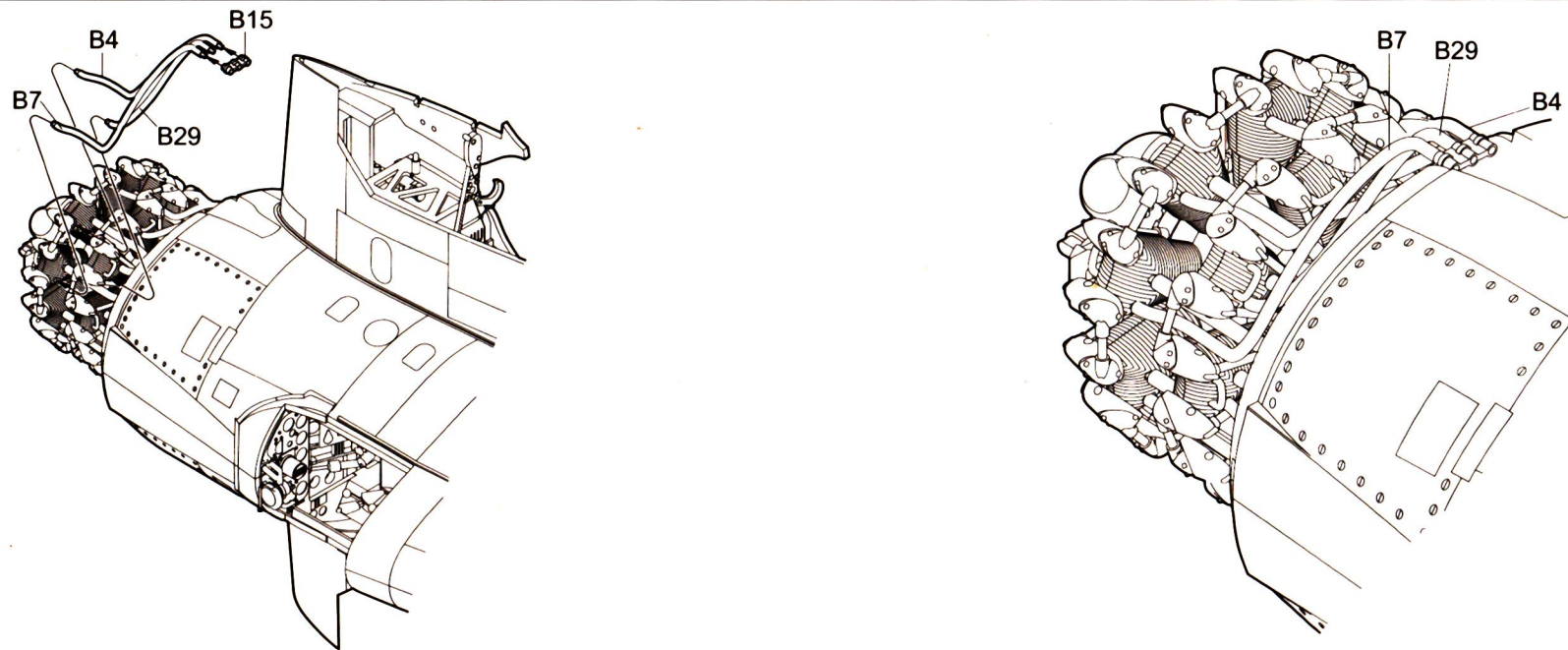
21

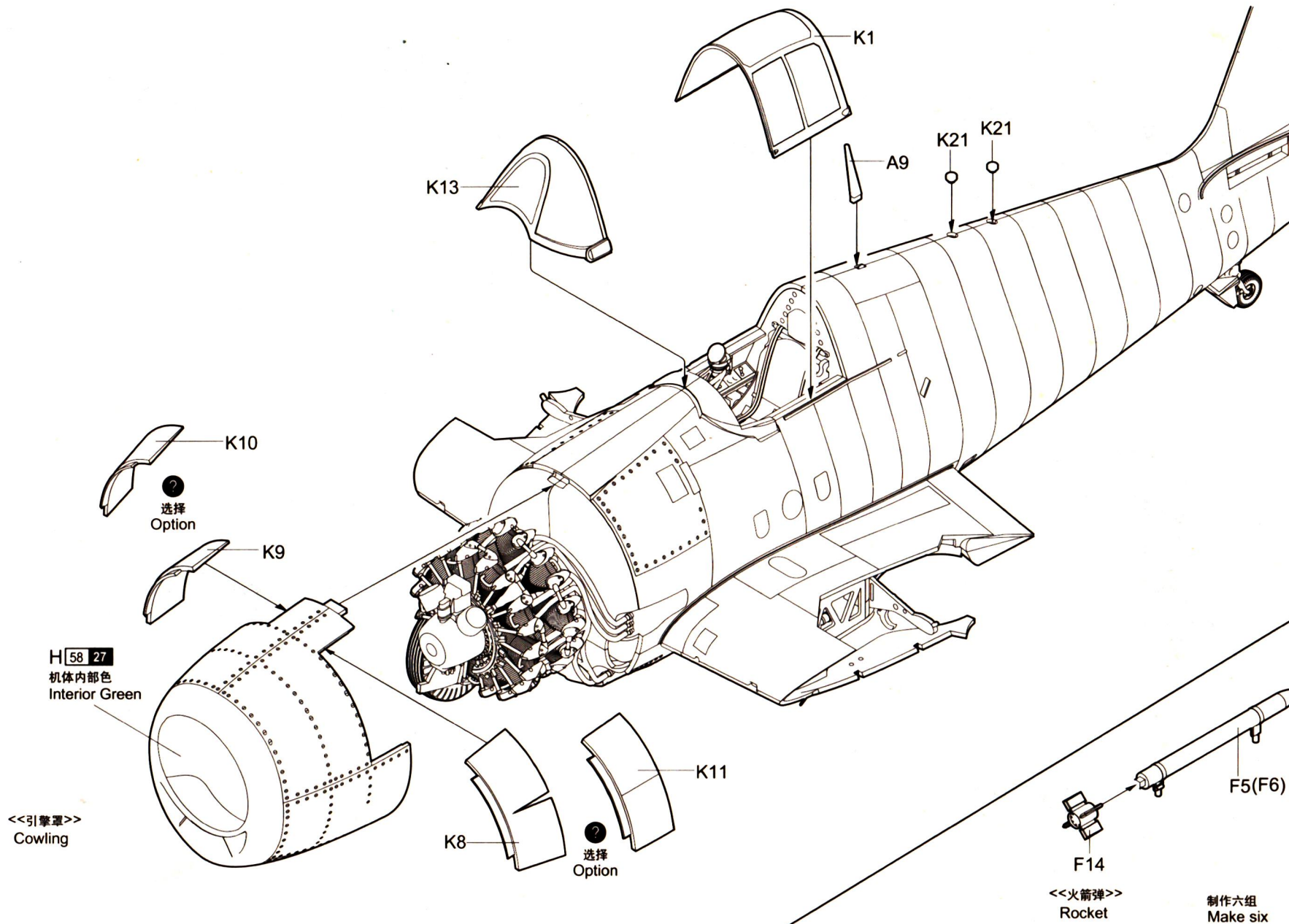


22



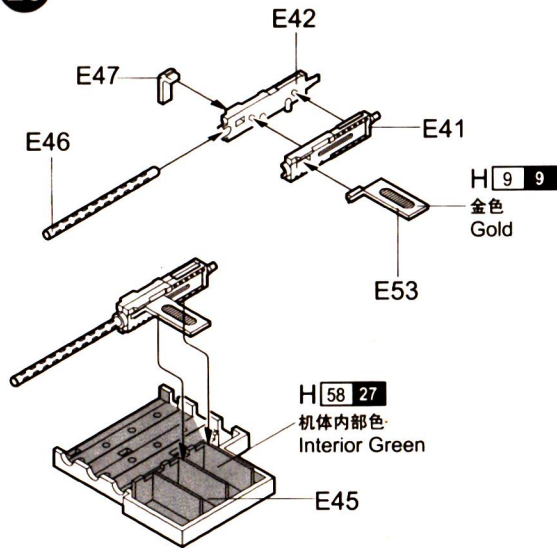
23





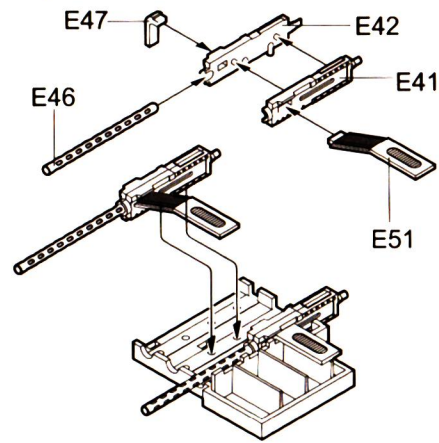
26

<<左侧机枪>>
Left machine gun



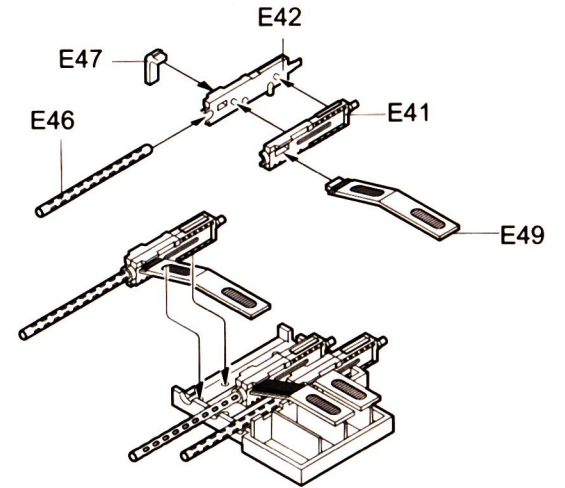
27

<<左侧机枪>>
Left machine gun



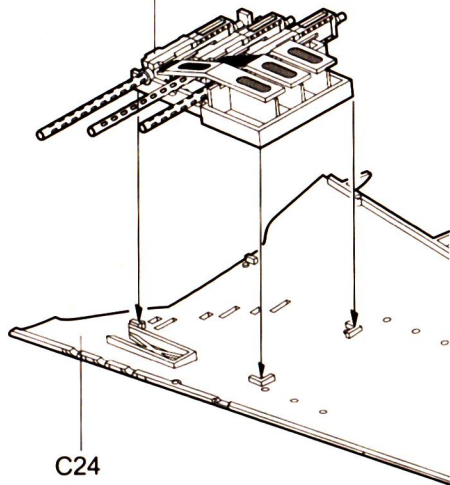
28

<<左侧机枪>>
Left machine gun

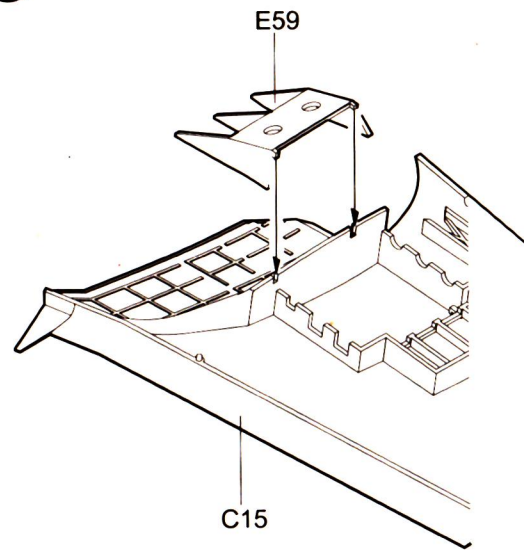


29

<<左侧机枪>>
Left machine gun

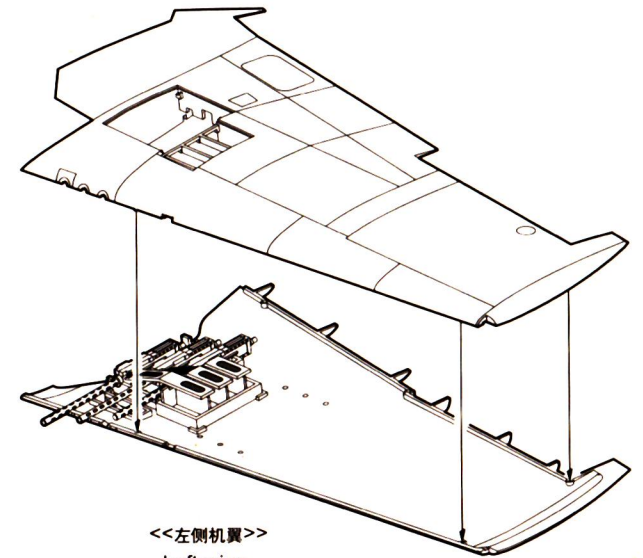


30

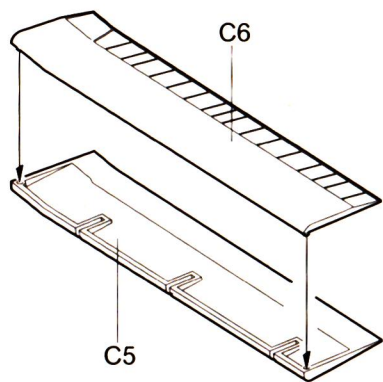


31

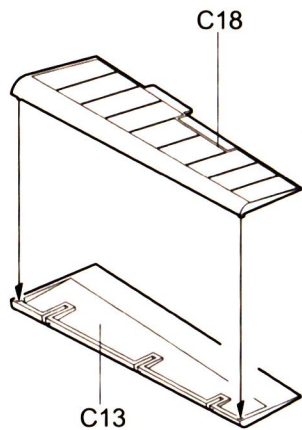
<<左侧机翼>>
Left wing



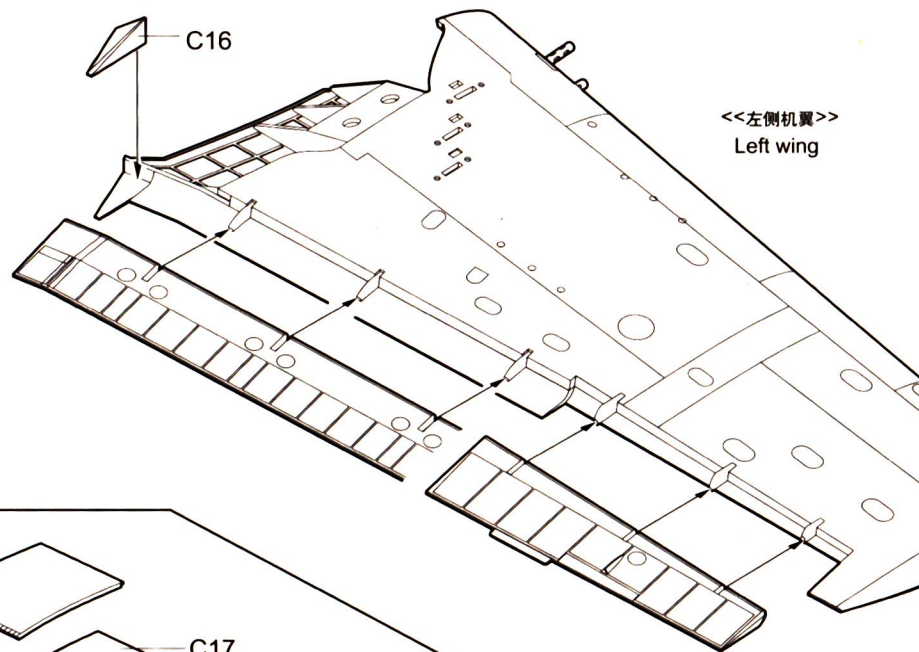
32



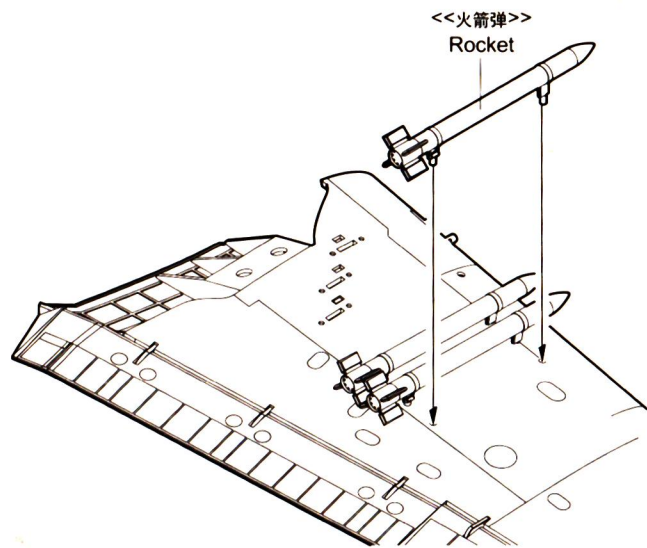
33



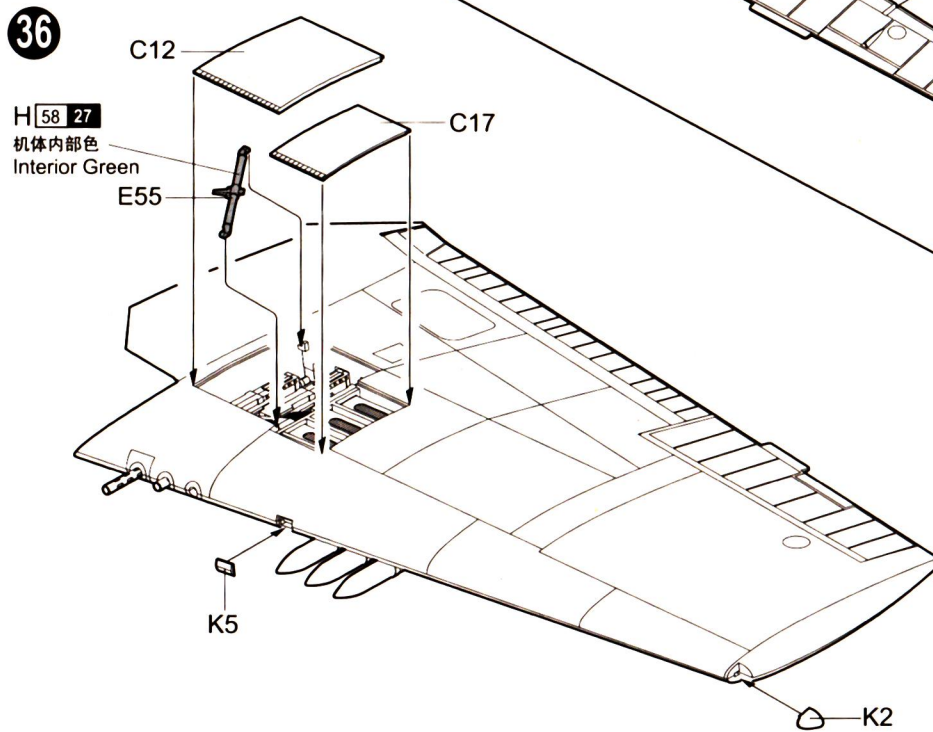
34



35

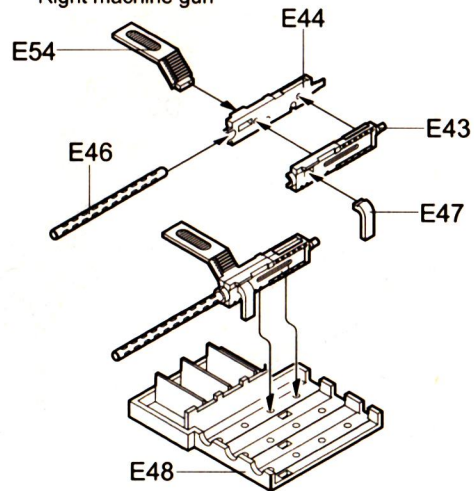


36



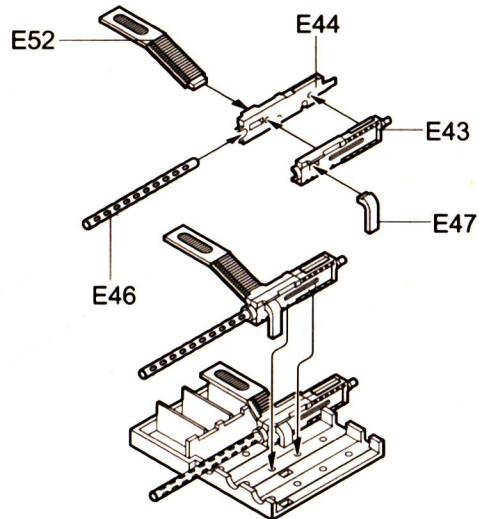
37

<<右侧机枪>>
Right machine gun



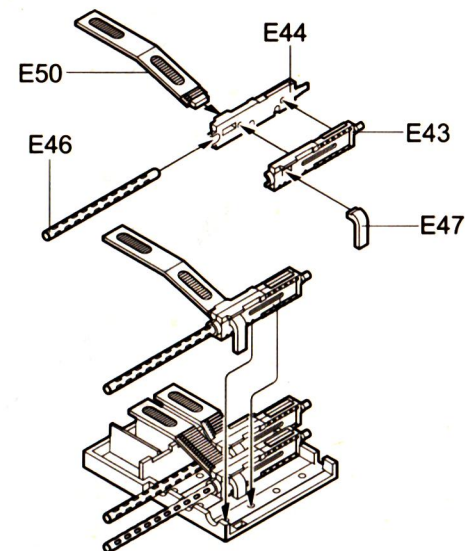
38

<<右侧机枪>>
Right machine gun



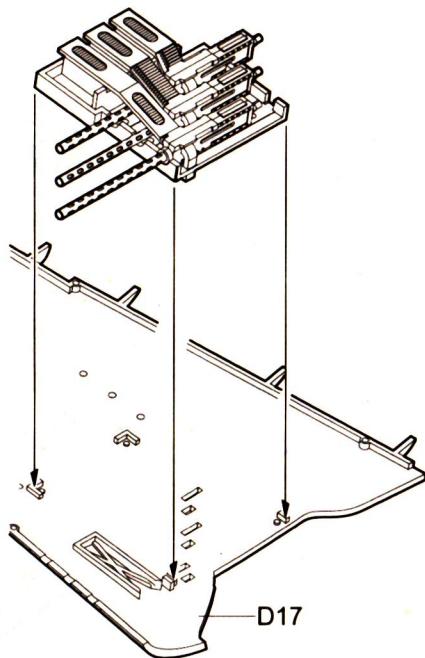
39

<<右侧机枪>>
Right machine gun

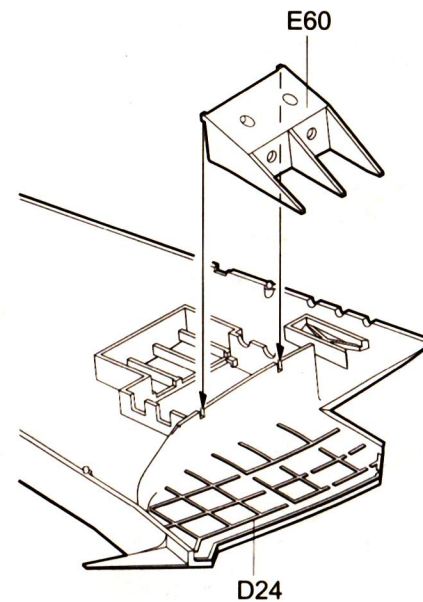


40

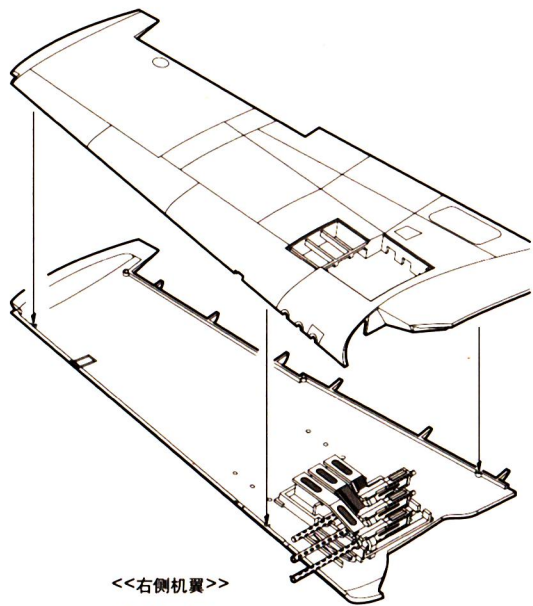
<<右侧机翼>>
Right wing



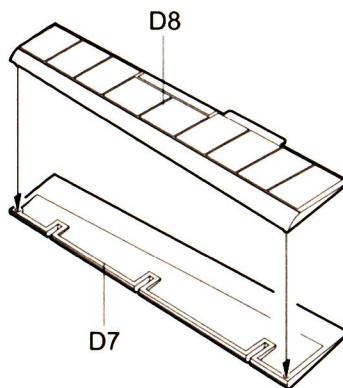
41



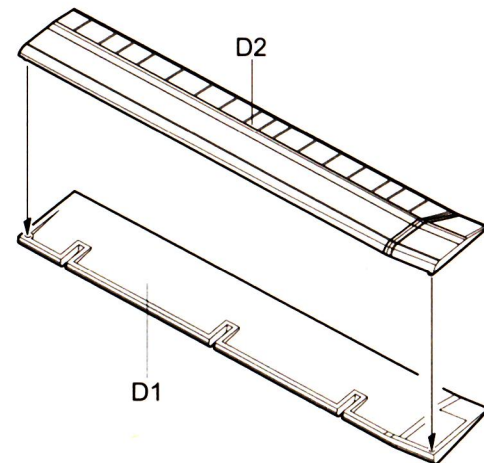
42



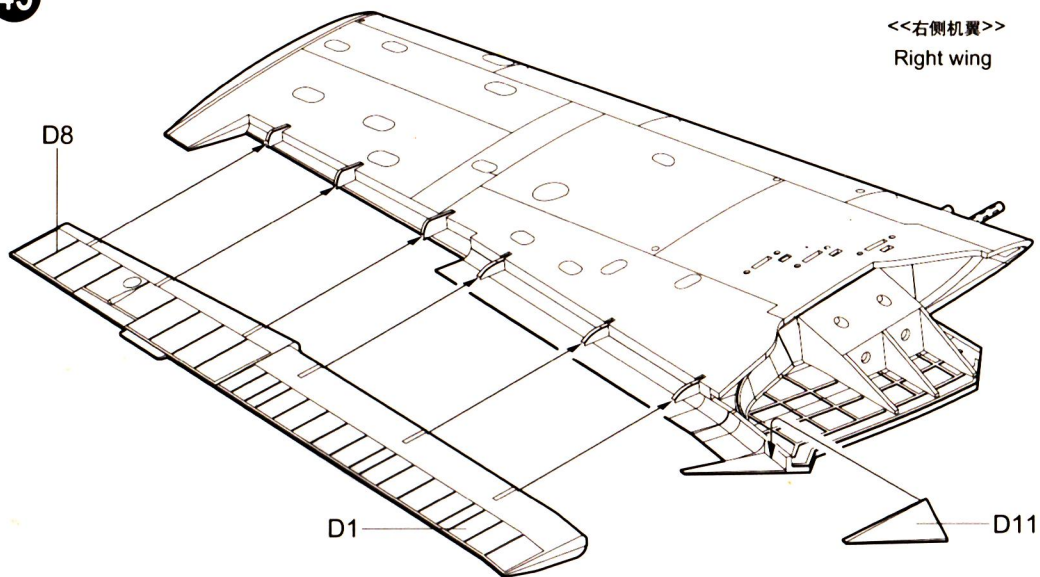
43



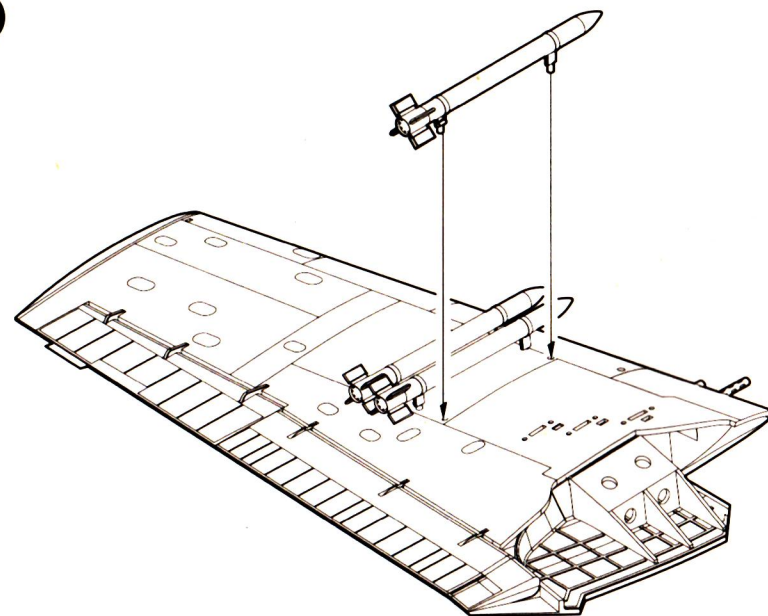
44



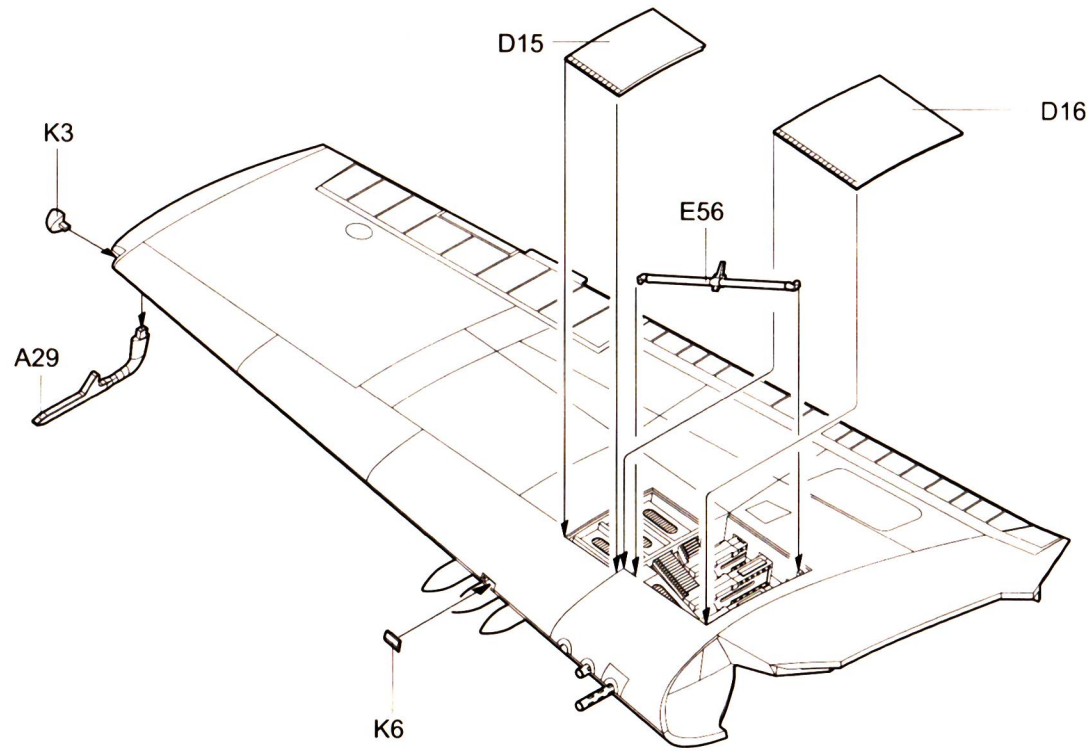
45



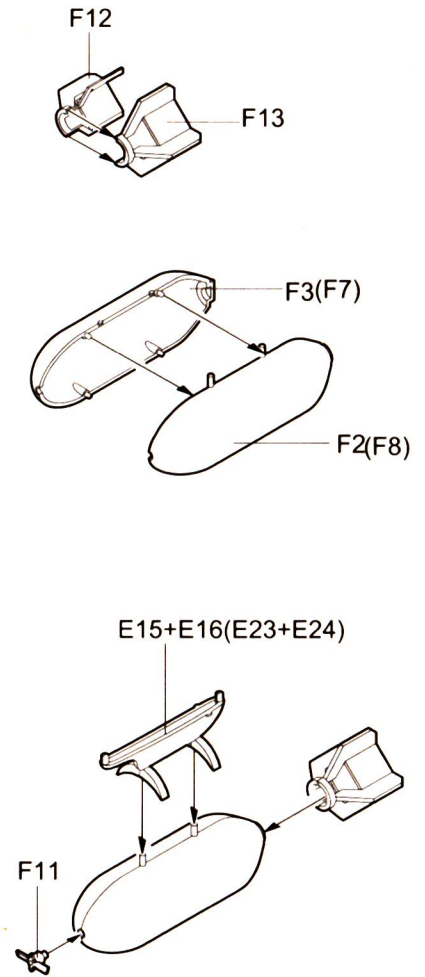
46



47

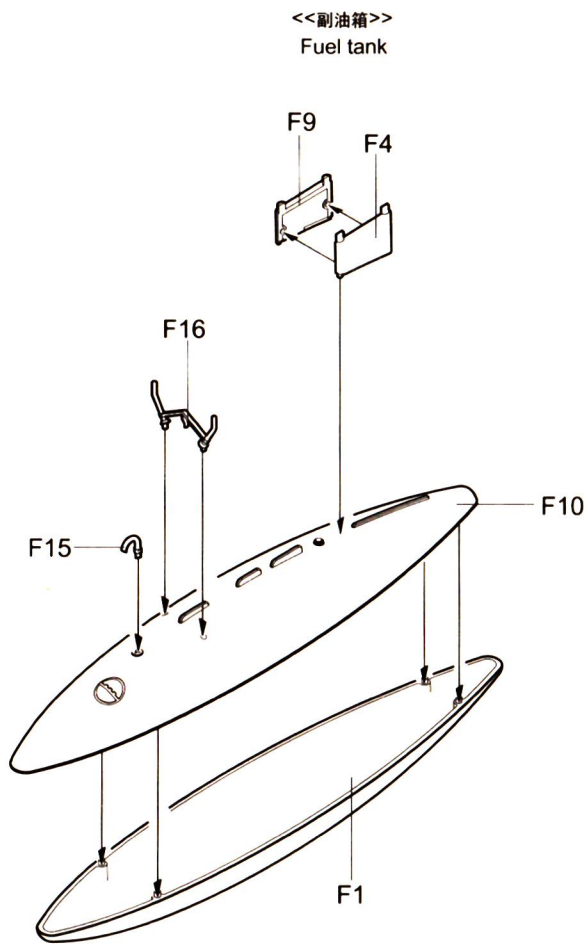


48

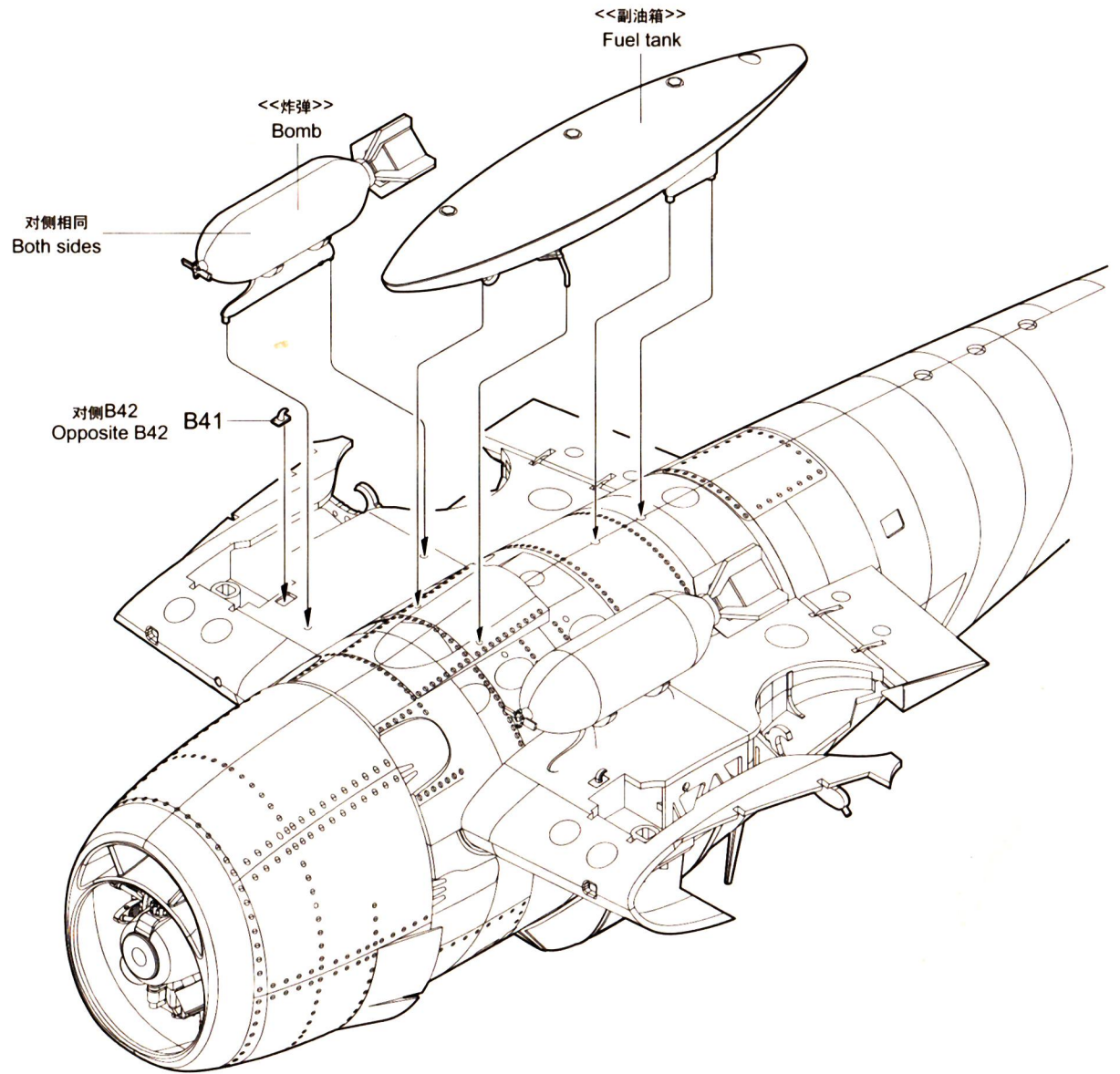


制作2组
Make two

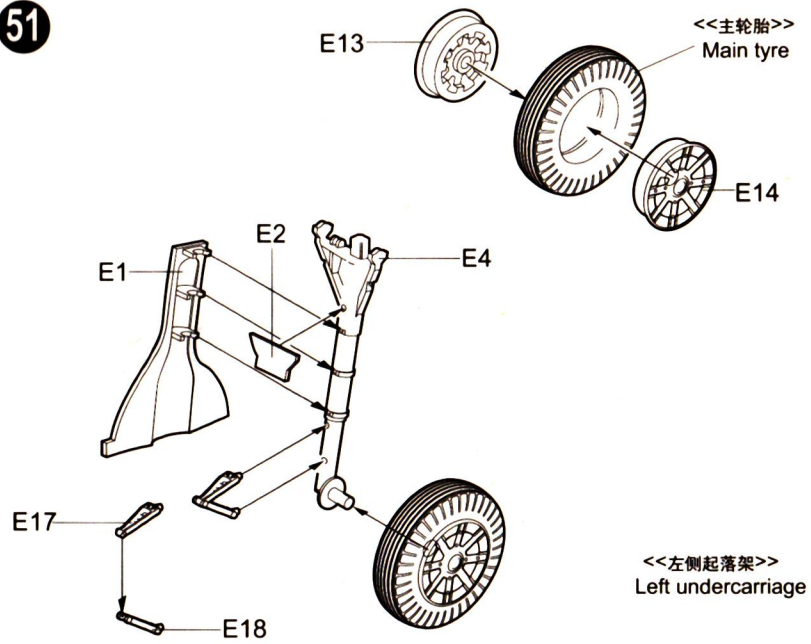
49



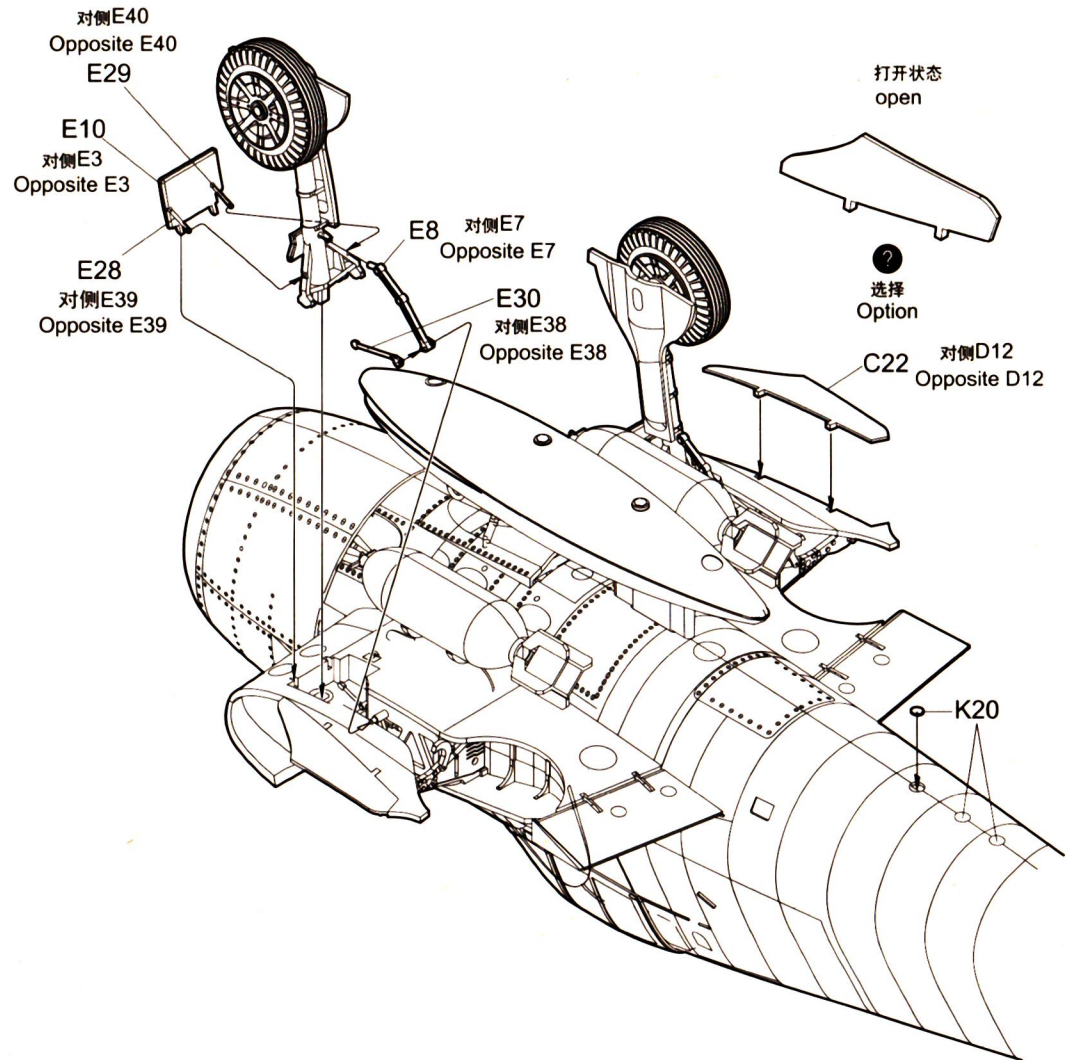
50



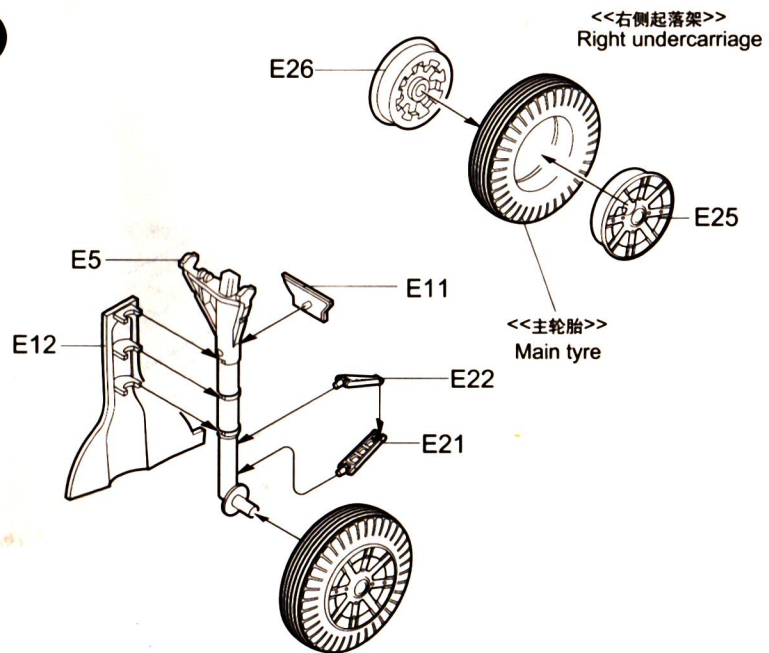
51



53

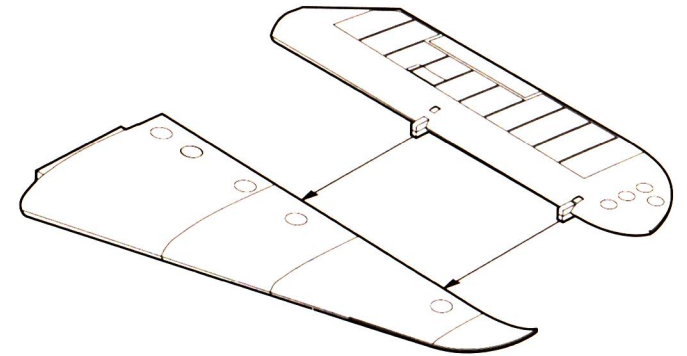
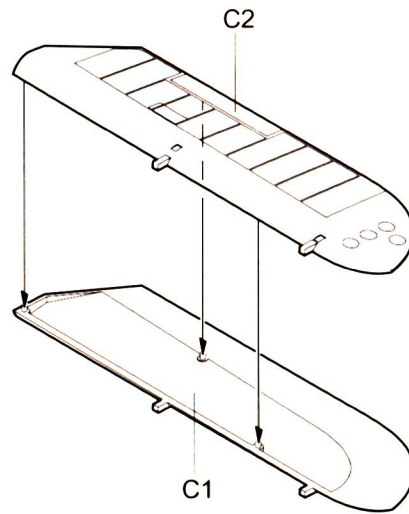
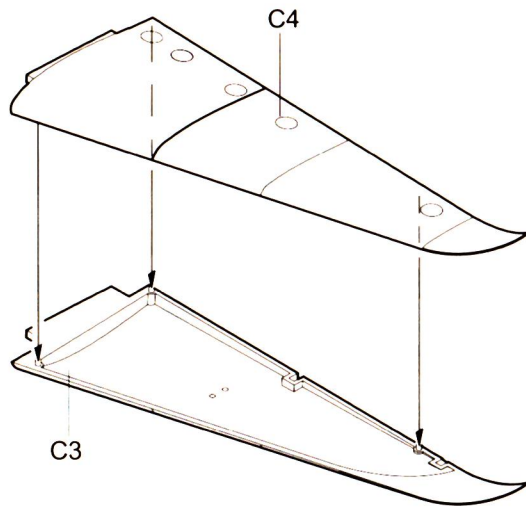


52



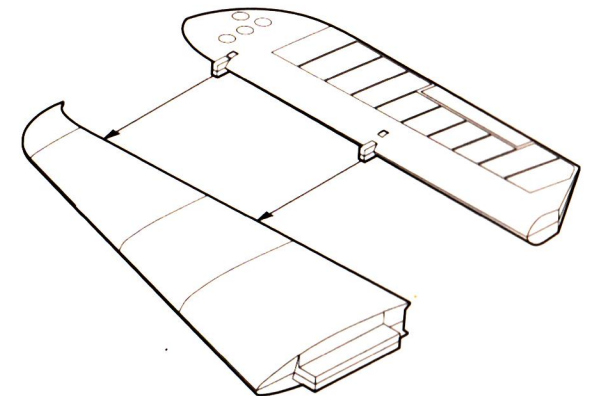
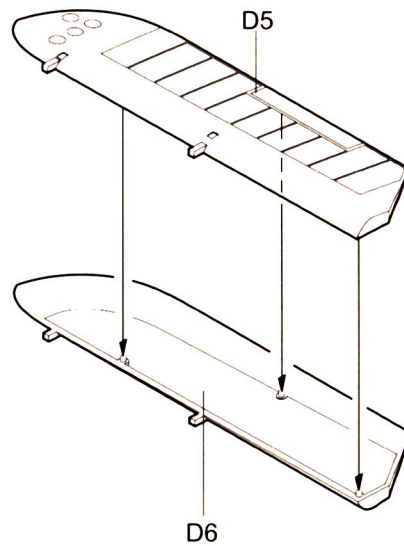
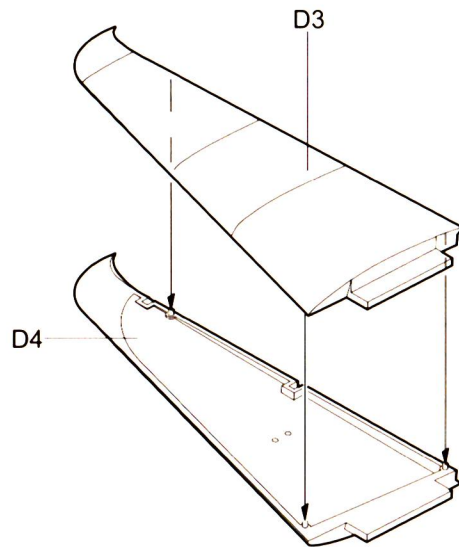
54

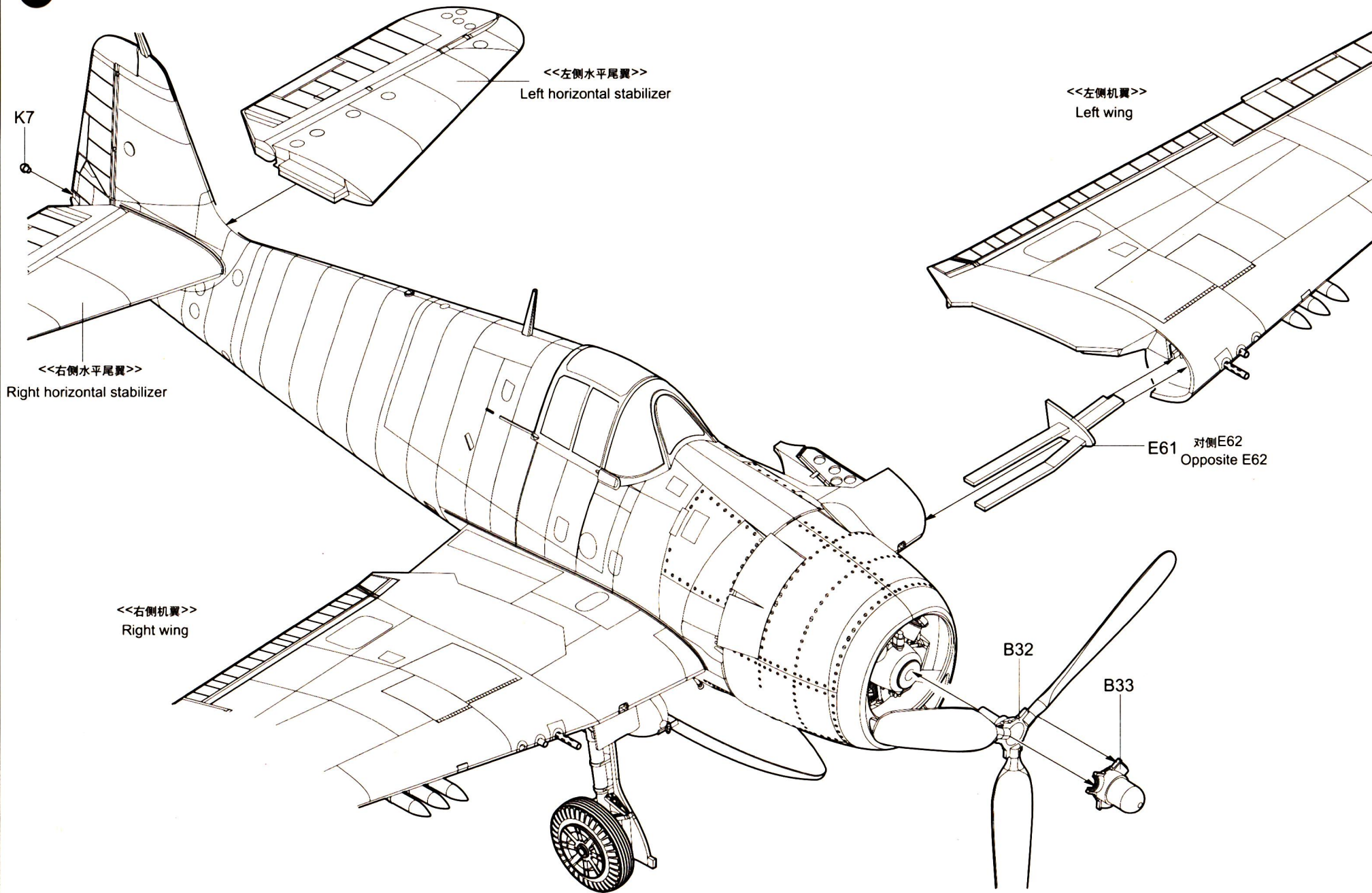
<<左侧水平尾翼>>
Left horizontal stabilizer



55

<<右侧水平尾翼>>
Right horizontal stabilizer





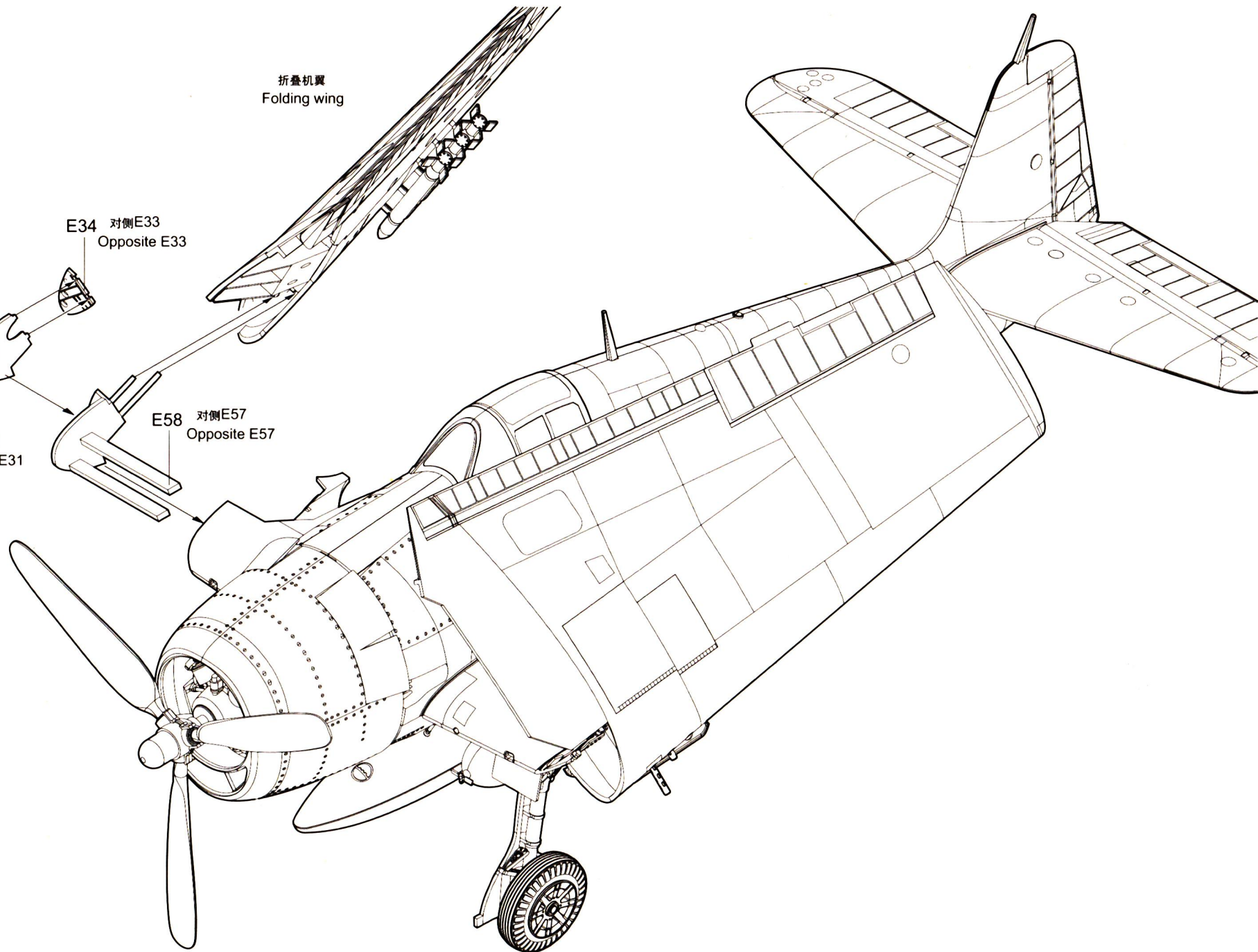
57

折叠机翼
Folding wing

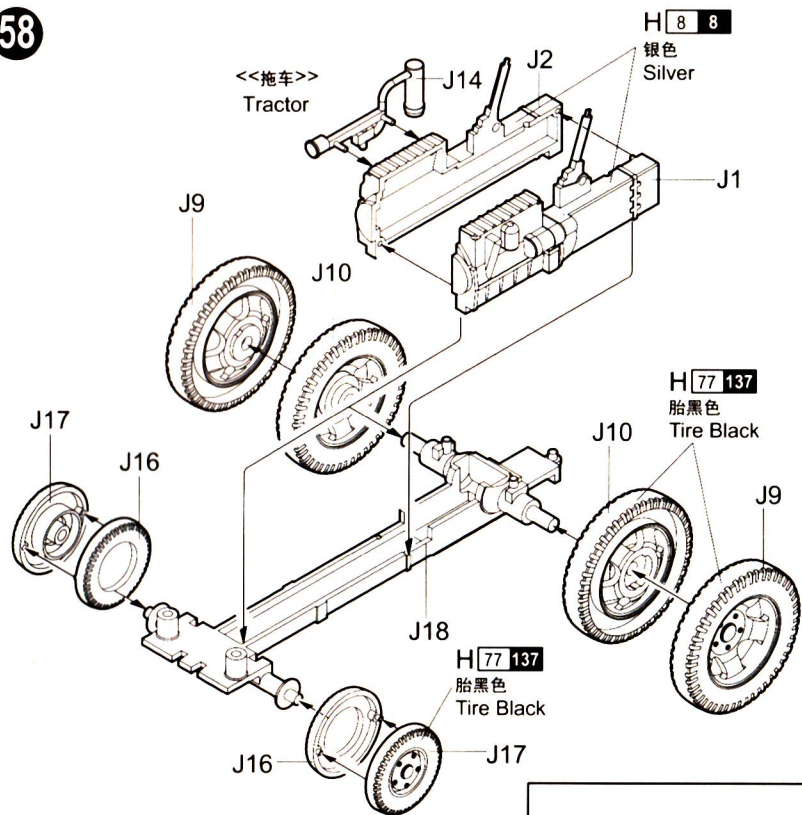
E34 对侧E33
Opposite E33

E36
对侧E31
Opposite E31

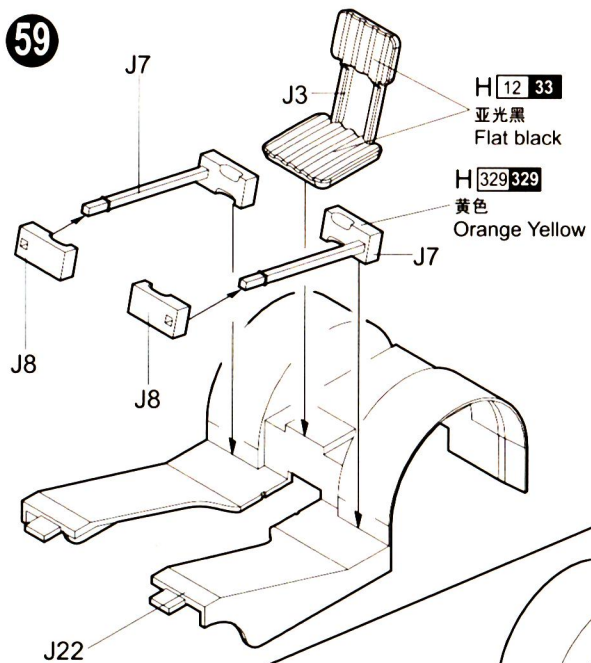
E58 对侧E57
Opposite E57



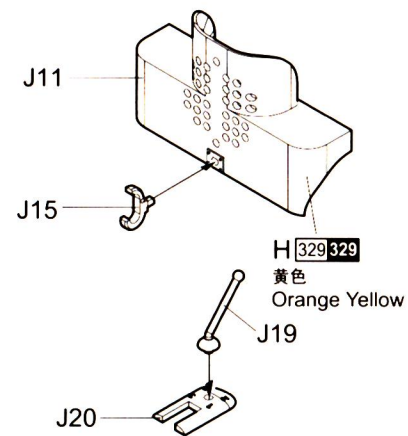
58



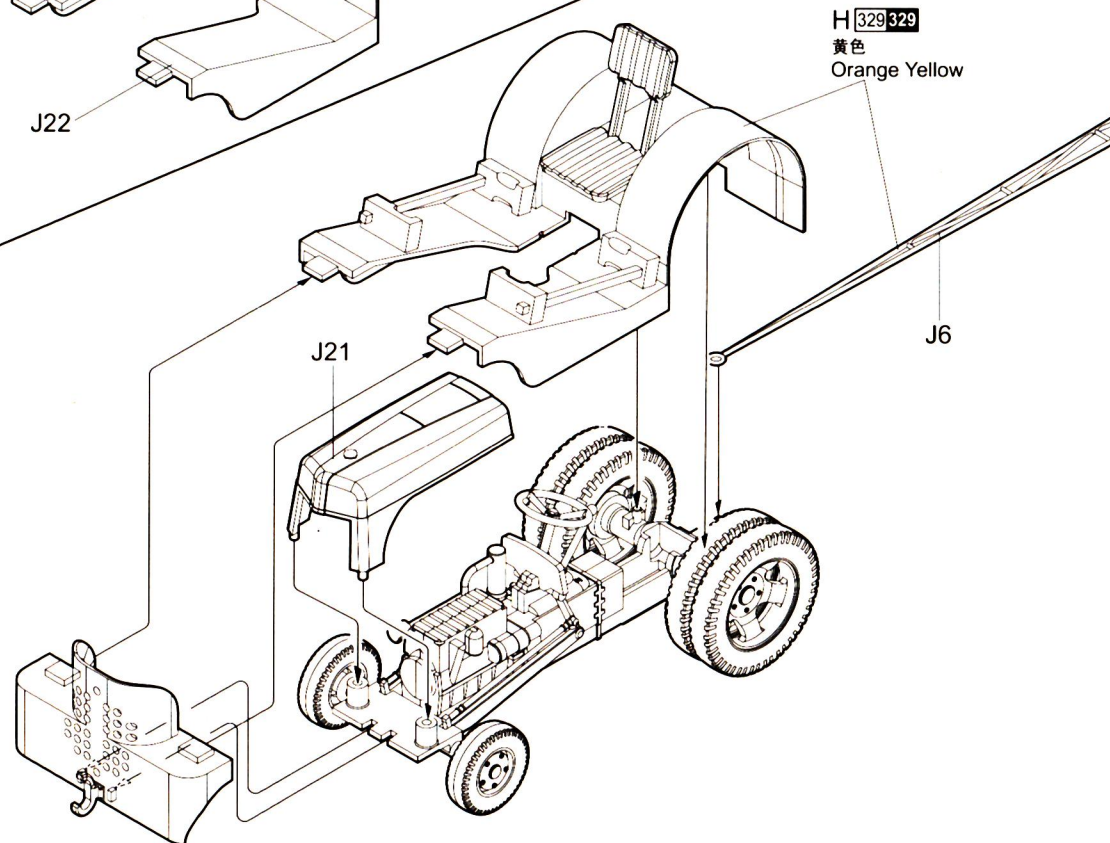
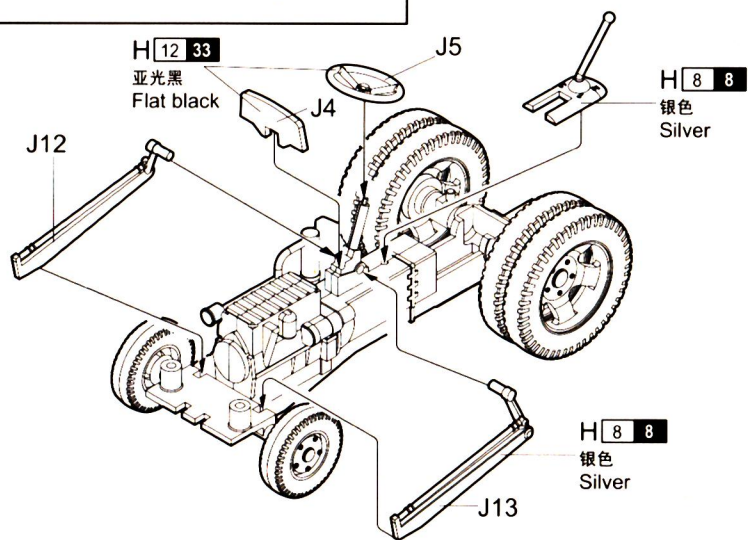
59



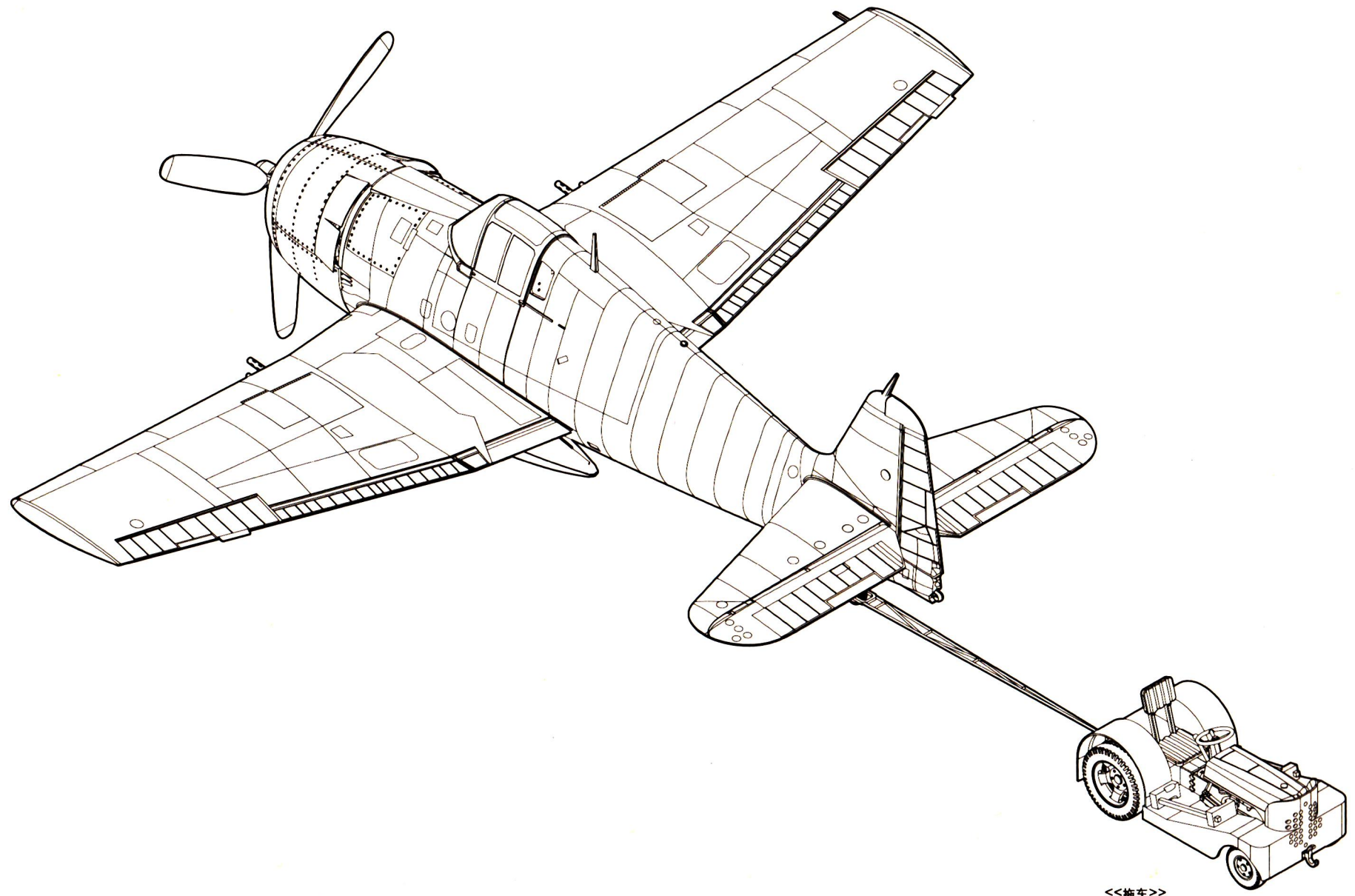
60



61



62



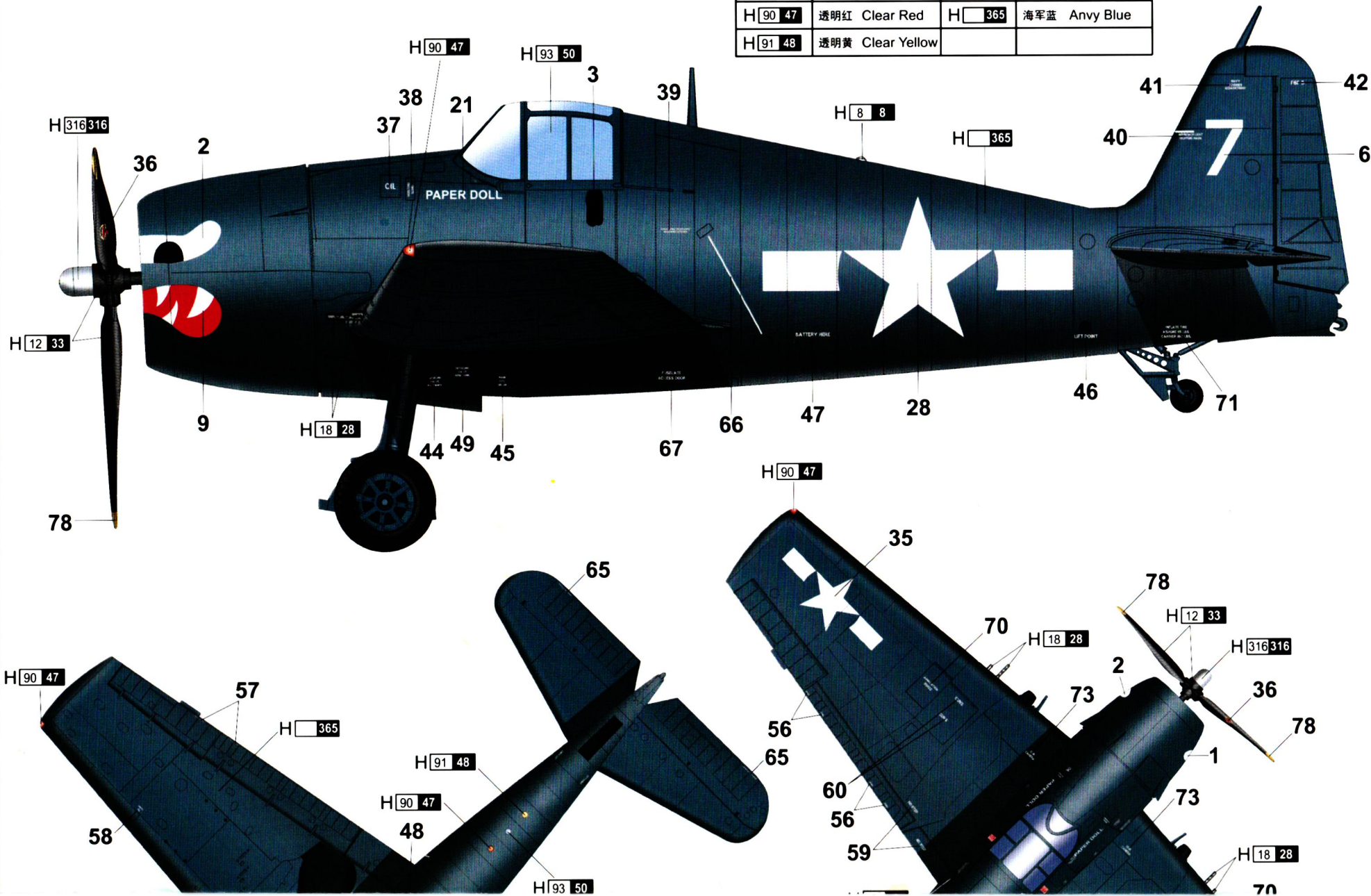
<<拖车>>
Tractor

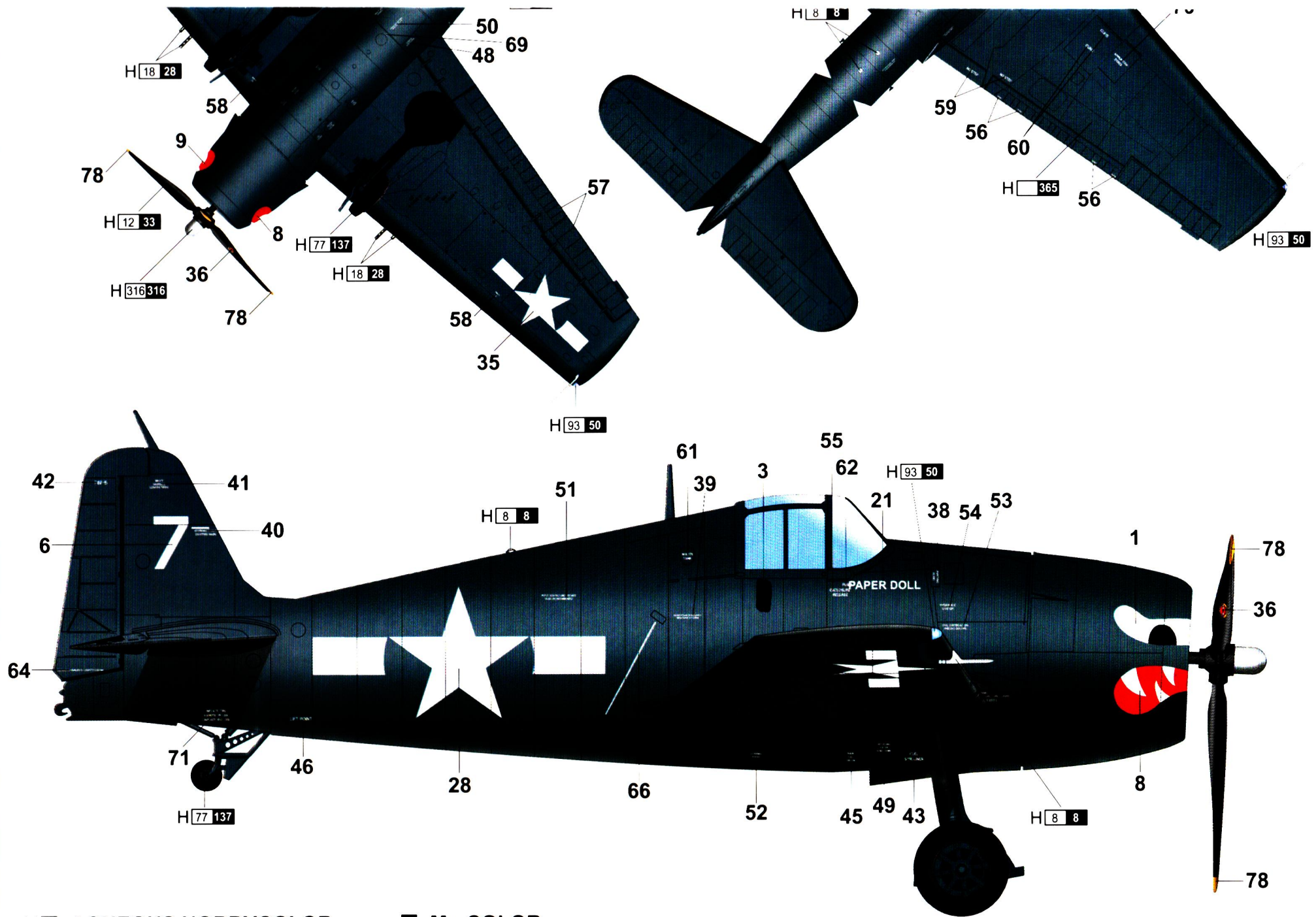
涂装同标贴指示
Painting & Marking guide

A Lt. Carl A Brown CVL-23 USS Princeton 1944

使用 MR.HOBBY 涂料 Mr. Color Used

H 8 8	银色 Silver	H 93 50	透明蓝 Clear Blue
H 18 28	黑铁色 Metal Black	H 77 137	胎黑色 Tire Black
H 12 33	亚光黑 Flat black	H 329 329	黄色 Orange Yellow
H 90 47	透明红 Clear Red	H 365	海军蓝 Anvy Blue
H 91 48	透明黄 Clear Yellow		



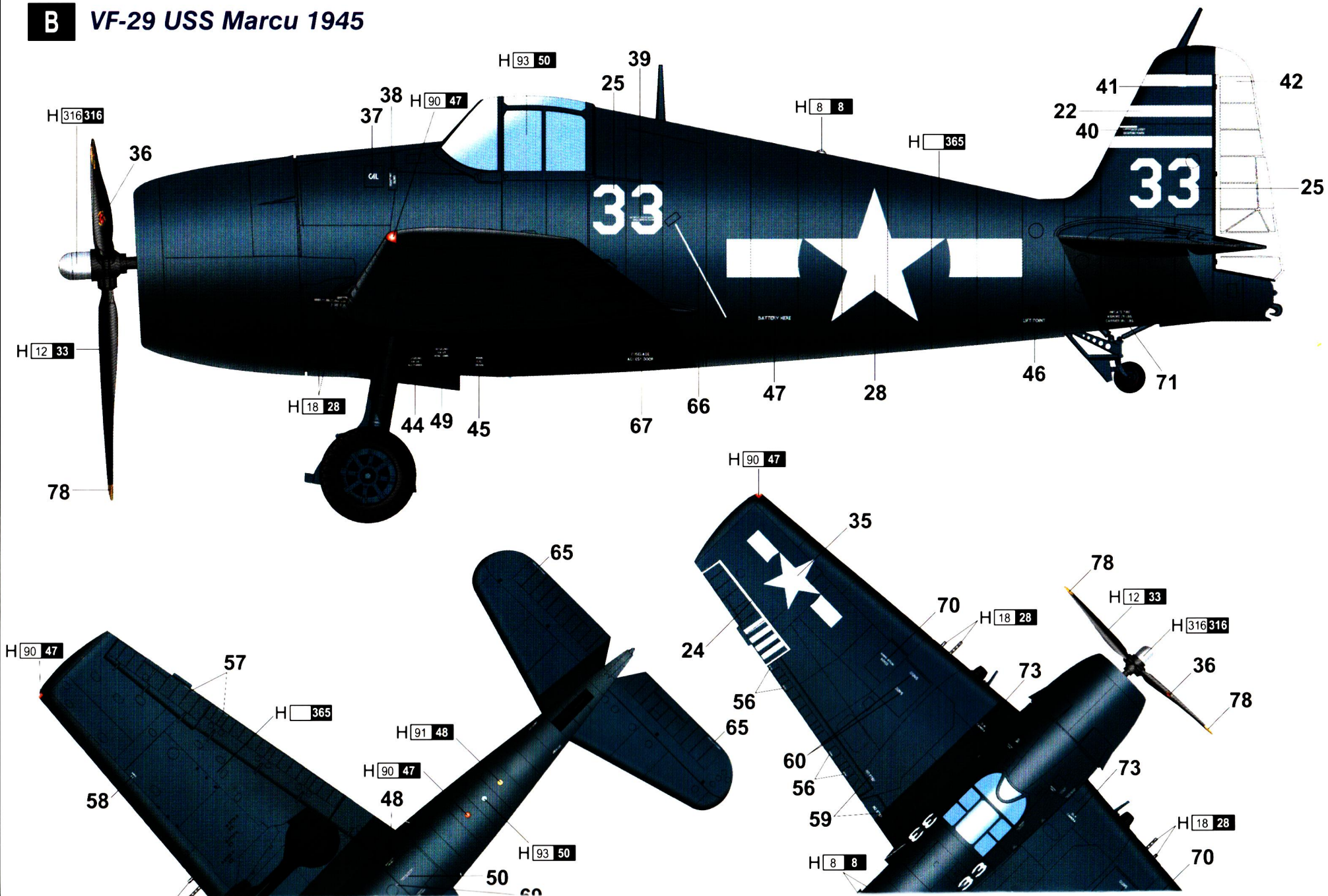


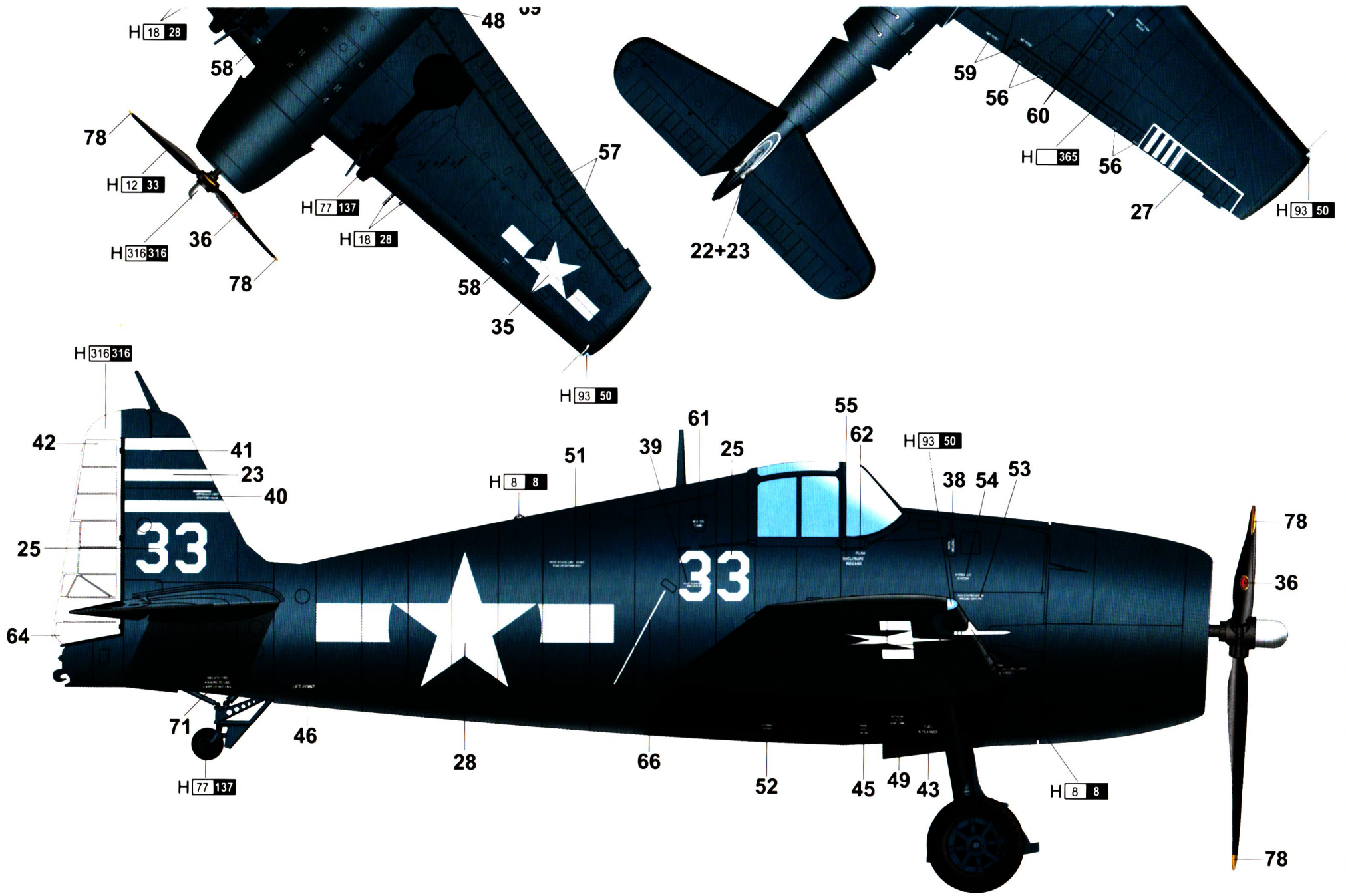
H AQUEOUS HOBBYCOLOR

■ Mr. COLOR

涂装同标贴指示
Painting & Marking guide

B VF-29 USS Marcu 1945





H AQUEOUS HOBBYCOLOR

■ Mr. COLOR

使用 MR.HOBBY 涂料 Mr. Color Used