

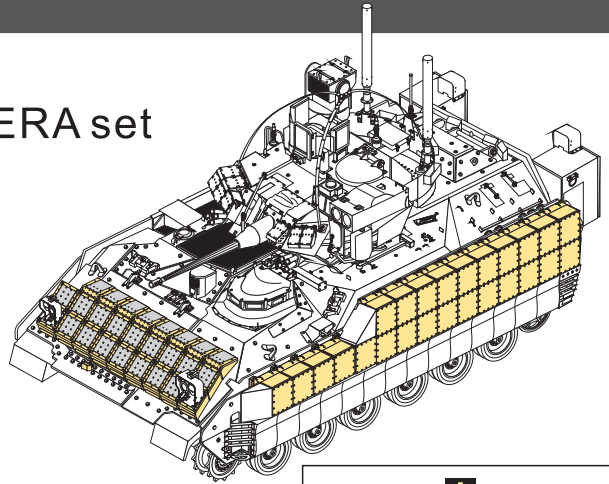
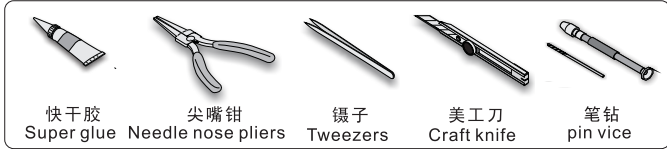
1/35 MILITARY MINIATURE VEHICLE UPGRADE SERIES PE35661

Modern US Army M2A3 BRADLEY ERA set

美M2A3 布雷德利 BUSK III 反映装甲

[For MENG SS-004]

推荐使用工具 RECOMMENDED TOOLS



- 安装
install
- 折叠
bend
- A1**

改造件零件编号
PE/resin part number
- B12**

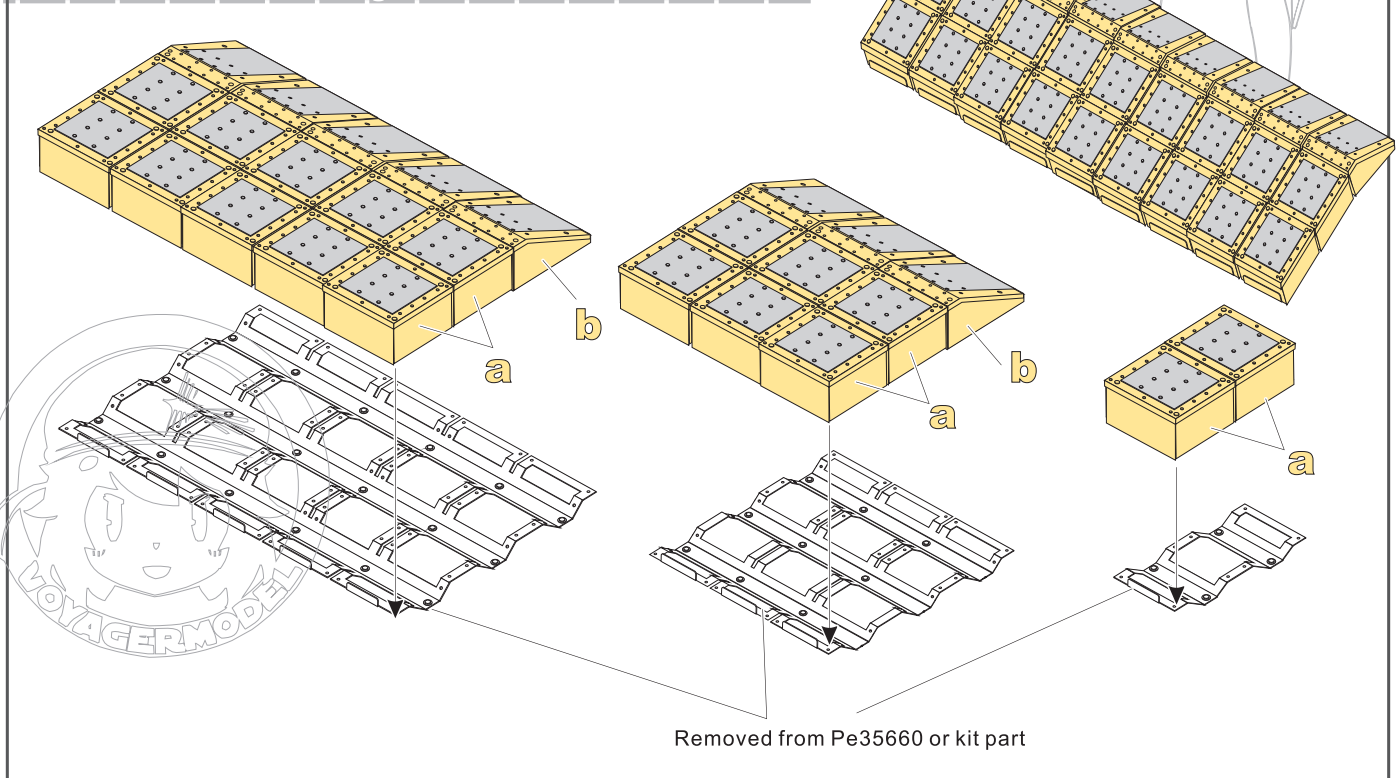
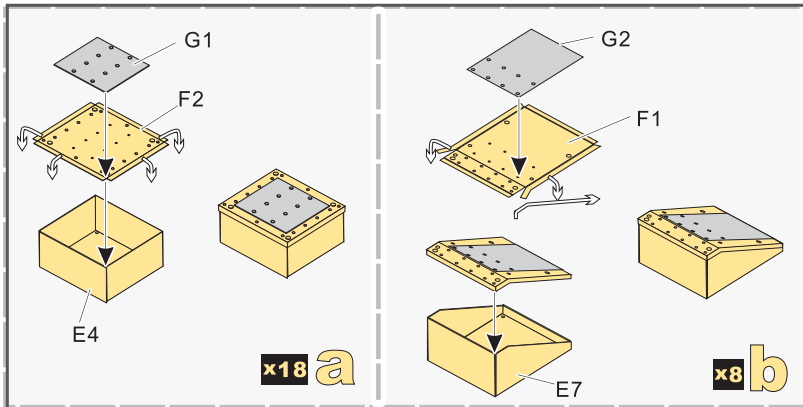
原零件编号
kit part number
- C22**

被替换的原零件编号
replaced kit part number
- 另一侧相同制作
repeat on opposite side
- 切除
remove
- 打磨
grind off
- 弧度卷曲
radial bending
- x2**

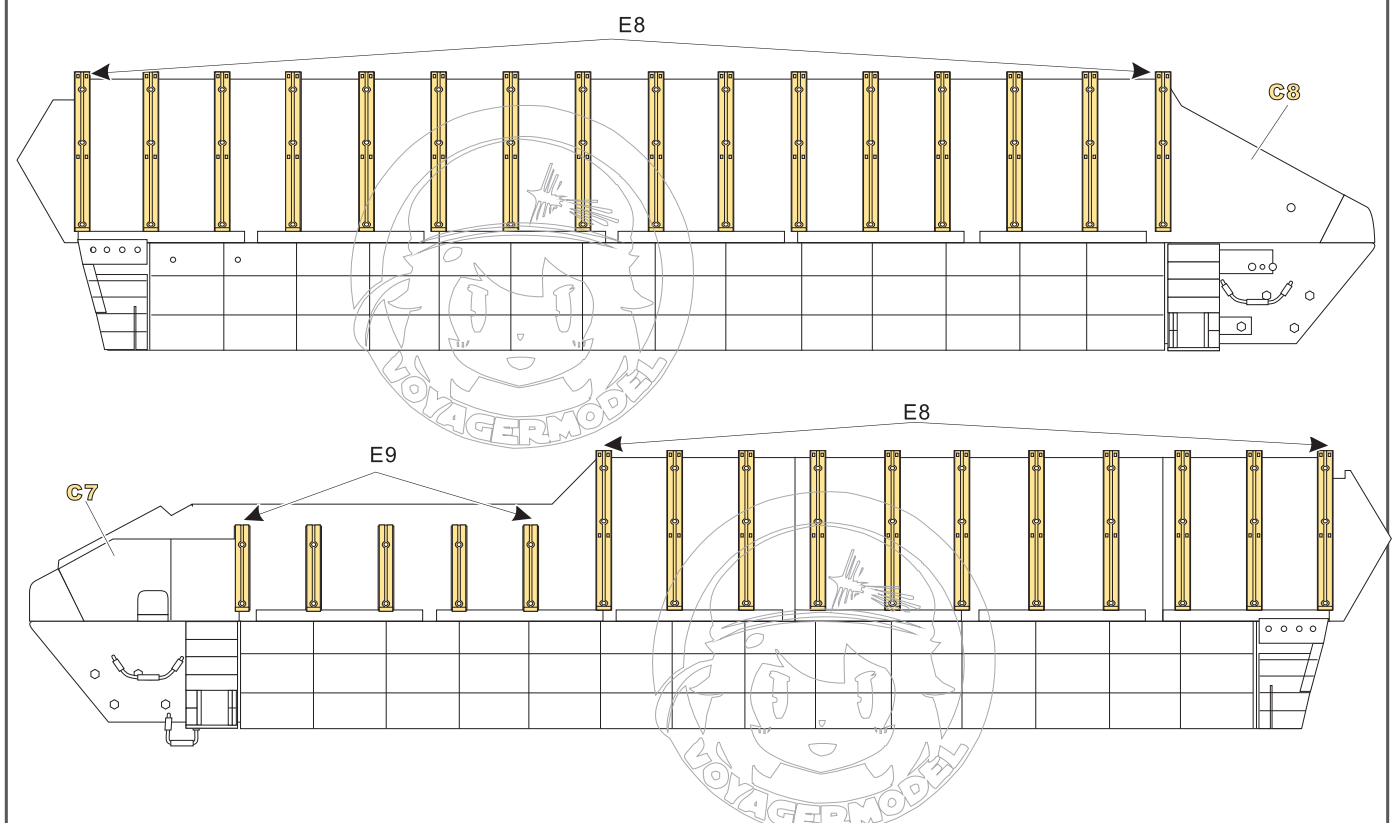
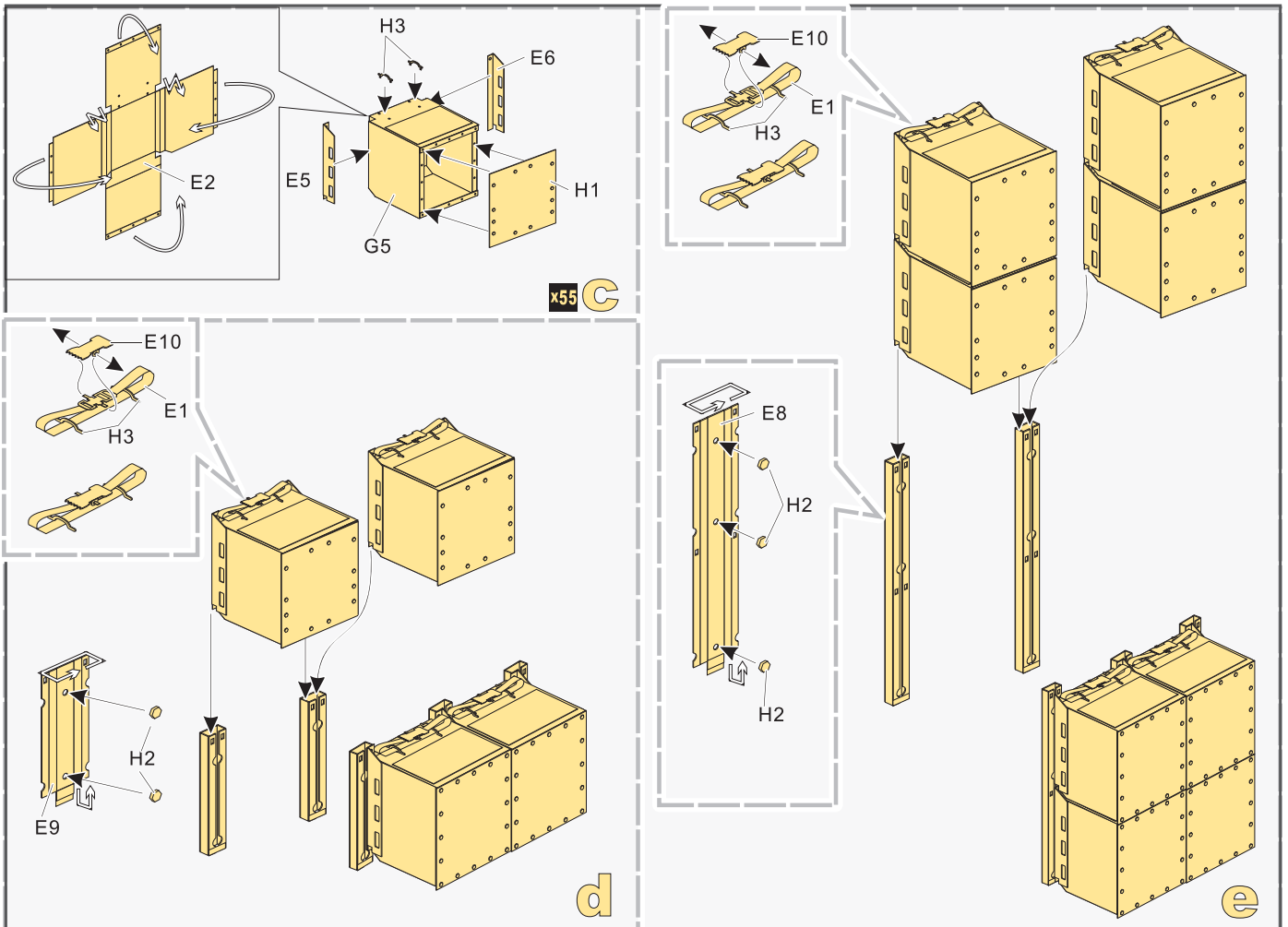
制作若干组
multiple assembly
- 选择安装
alternative
- 钻孔
drill
- 注意
caution

用尖端在凹槽处冲压
use penpoint to press on the dent

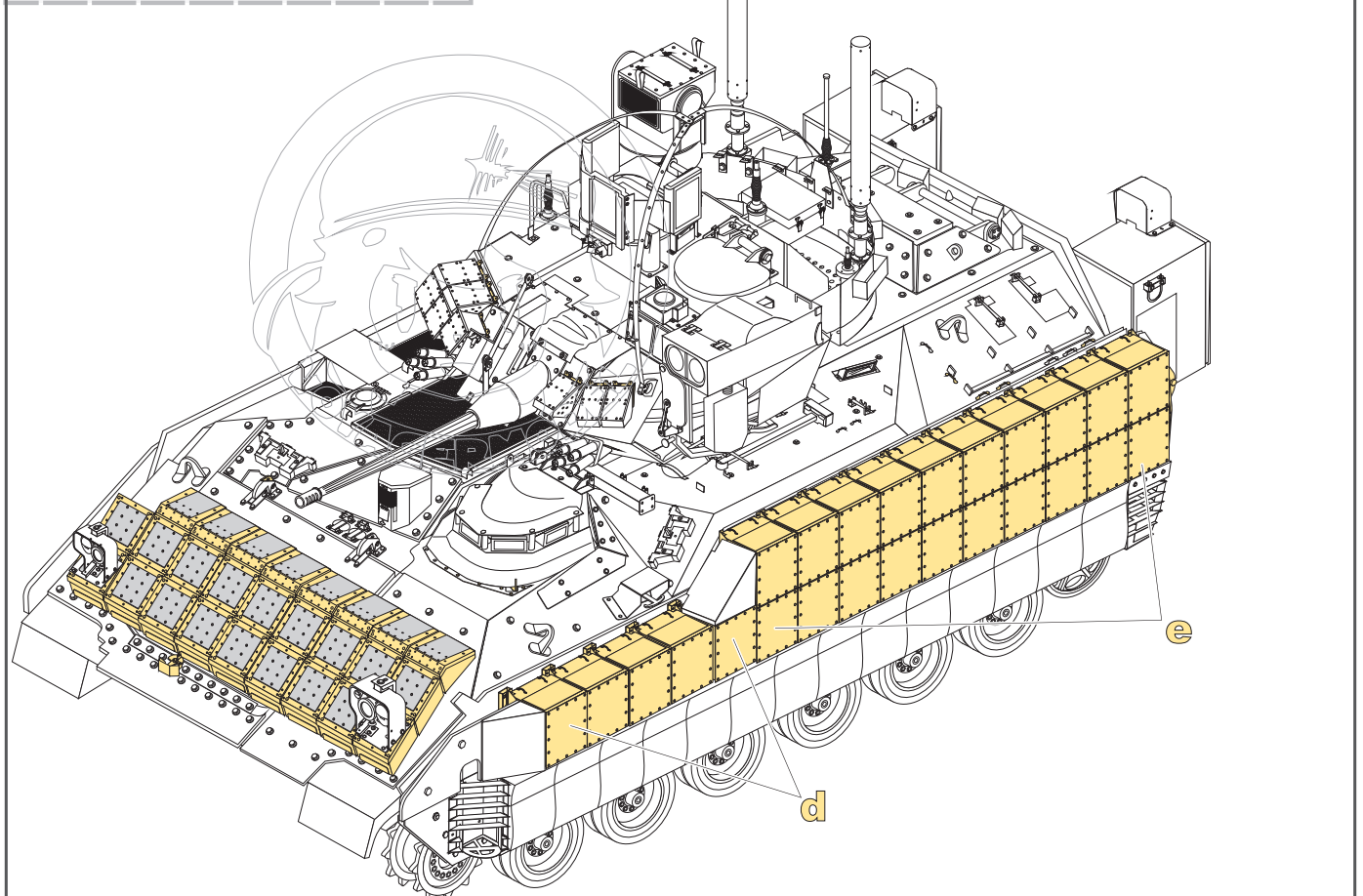
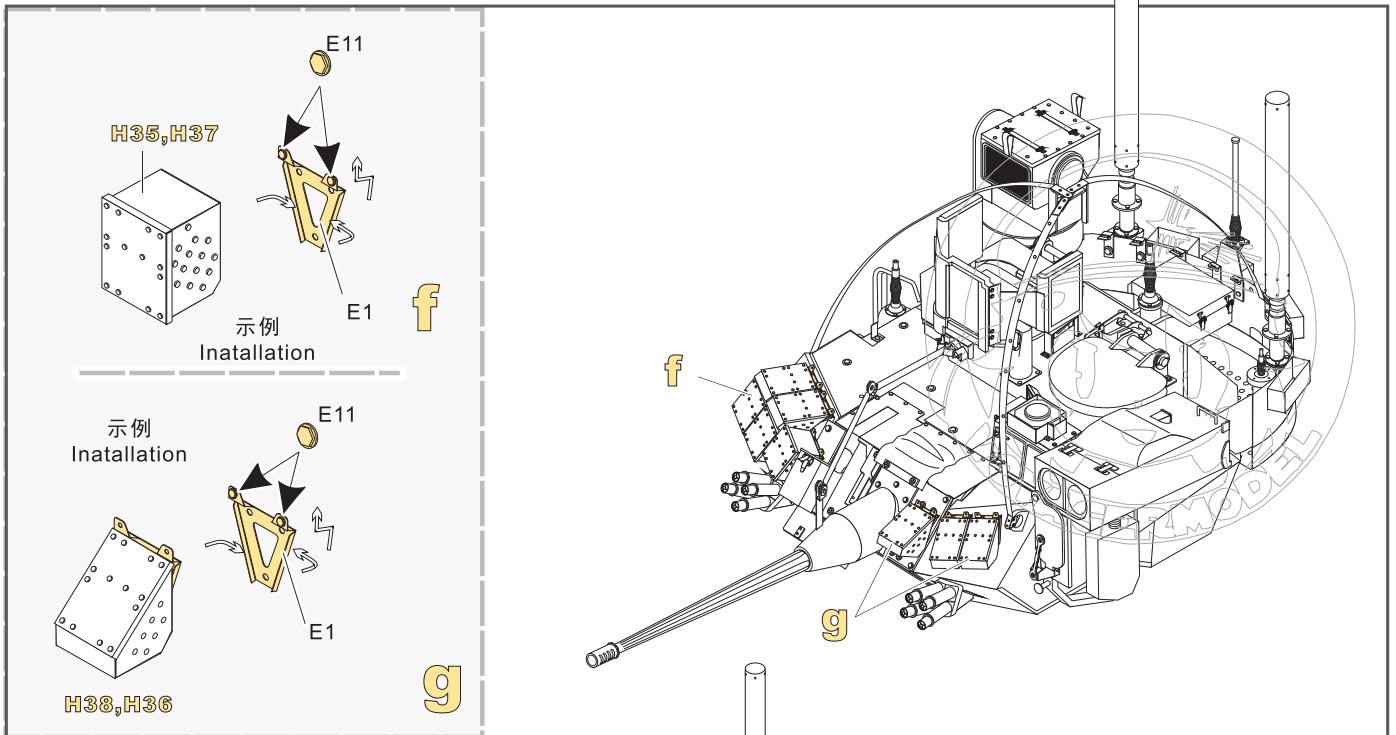
蚀刻片零件内朝面向上
Put the part upside down
用笔尖在凹槽处刺
Use penpoint to press on the dent



1/35 MILITARY MINIATURE VEHICLE UPGRADE SERIES PE35661



1/35 MILITARY MINIATURE VEHICLE UPGRADE SERIES PE35661



VOYAGERMODEL[®] 无微不至 极致享受

Recommended item

PE 35660	Modern US Army M2A3 BRADLEY w/BUSK III IFV Basic (Gun barrel ,smoke discharger include)
PE 35724	Modern US Army M3A3 BRADLEY w/BUSK III IFV Basic (Gun barrel ,smoke discharger include)
PE 35725	Modern US Army M3A3 BRADLEY ERA set
PE 35731	Modern US Army M3A3 BRADLEY w/BUSK III IFV Basic (smoke discharger include)
PE 35400	Modern US M2A3 Infantry Fighting Vehicle w/ERA Basic
PE 35470	Modern US M2A2 Infantry Fighting Vehicle w/ERA Basic