

# 1:72 SCALE

## F4F-4 "Wildcat"



### EASY ASSEMBLY AUTHENTIC KIT



cyanoacrylate glue  
强力胶



weight  
配重



make hole  
钻孔



cut / remove  
切除



option  
选择



no cement  
不涂胶水



decal  
贴纸



bend  
弯曲

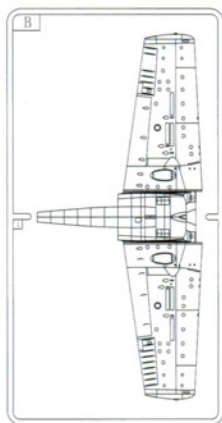
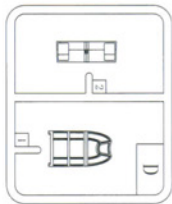
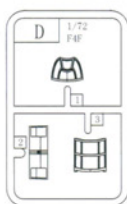
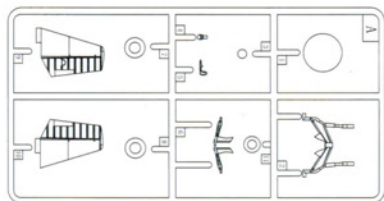
#### The way to apply the decals

1. Cut off the decal from the decal paper and put it into the warm water 40? for 10 seconds.
2. Take the decal from the water and put it on a piece of clean cloth.
3. Remove the decal slowly from the paper to the targeted location by a wet finger.
4. Use a piece of dry and soft cloth to press it gently on the decal until it getting dry and no bubble existing.

#### 水贴纸的使用方法:

- 一. 把相关的印花从水贴纸上剪下, 放入40℃左右的温水中浸10秒。
- 二. 然后将印花放在干净的布上。
- 三. 拿上印花纸, 手指蘸水将印花移到适当的位置。
- 四. 用软干布轻压印花直至水干, 气泡消失。

80220



1

可选择  
Option



D3



D1



机身  
Fuselage

A3

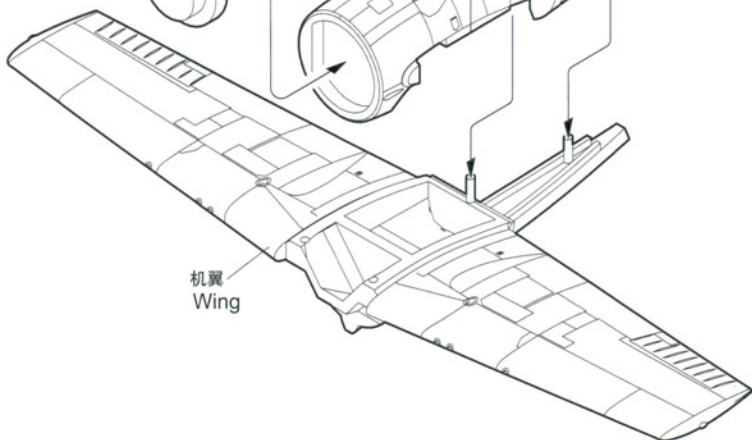
A4

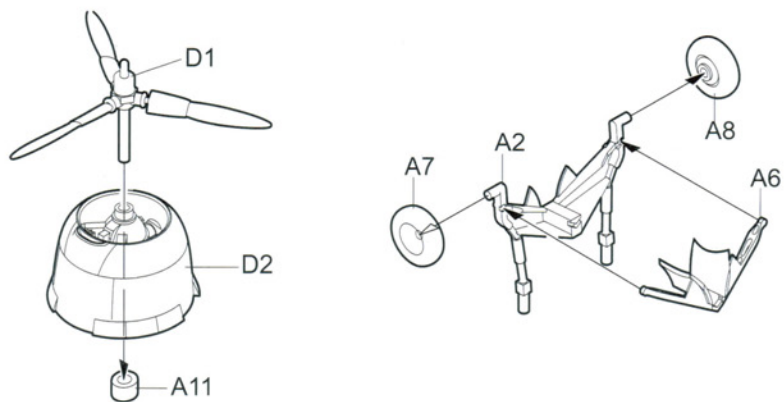
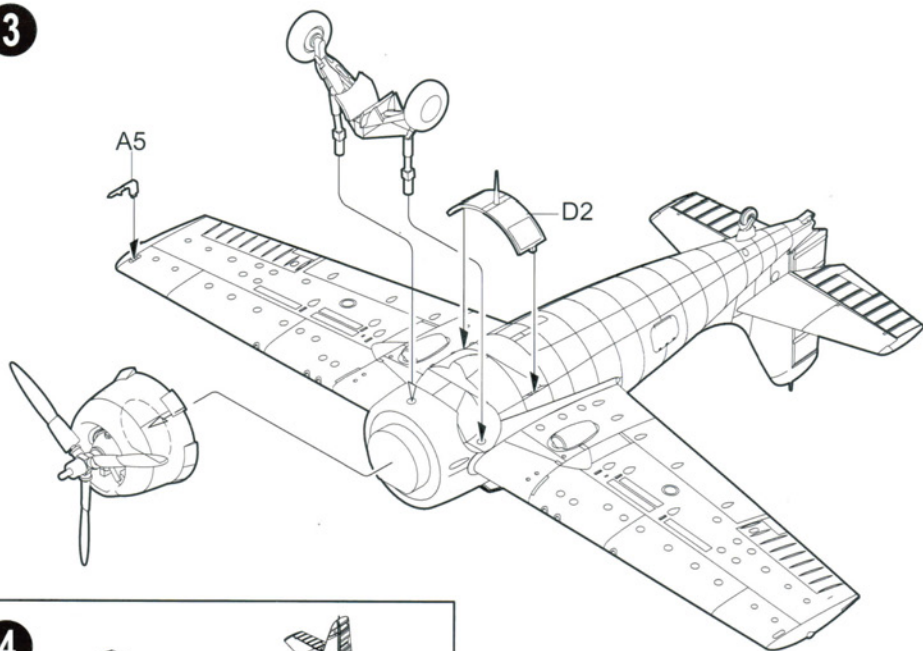
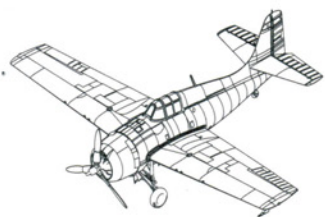
A1



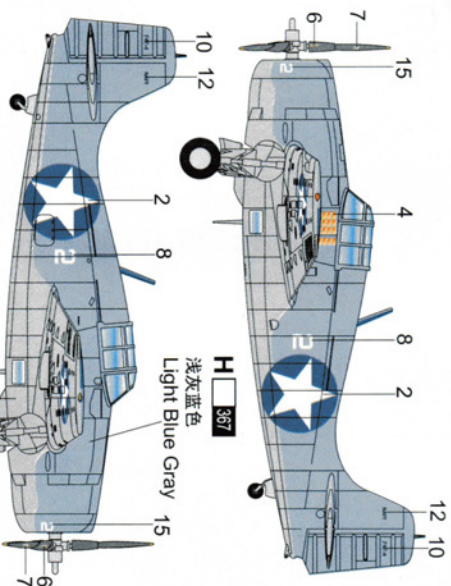
A10

机翼  
Wing



**2****3****4**

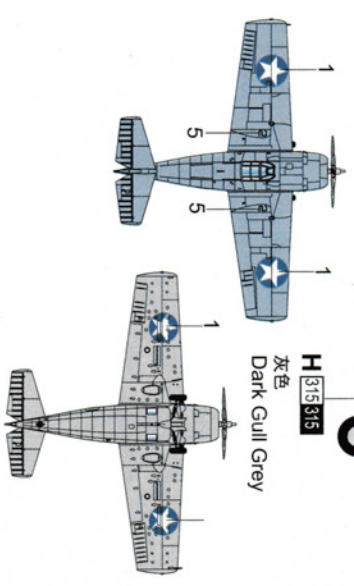
## VMF-223 USMC 1942



H  367

浅灰蓝色

Light Blue Gray

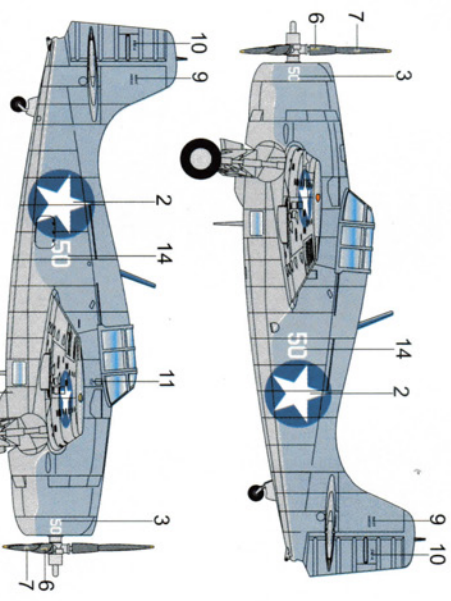


H  315

灰色

Dark Gull Grey

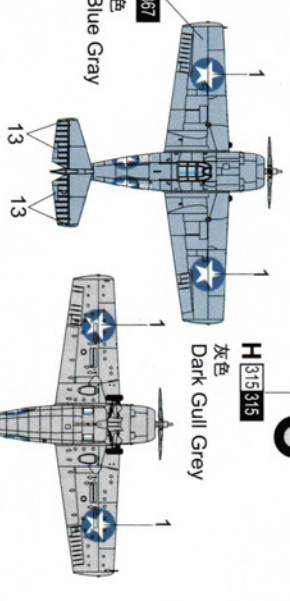
## Grumman F4F-4 Wildcat



H  315

灰色

Dark Gull Grey



H  367

浅灰蓝色

Light Blue Gray

H  GUNZE SANGYO AQUEOUS HOBBY COLOUR    X  GUNZE SANGYO MR COLOUR

涂装同标贴指示  
Painting & Marking guide

\*Some paints may not be available in your country. Please check your local hobby shop for substitute