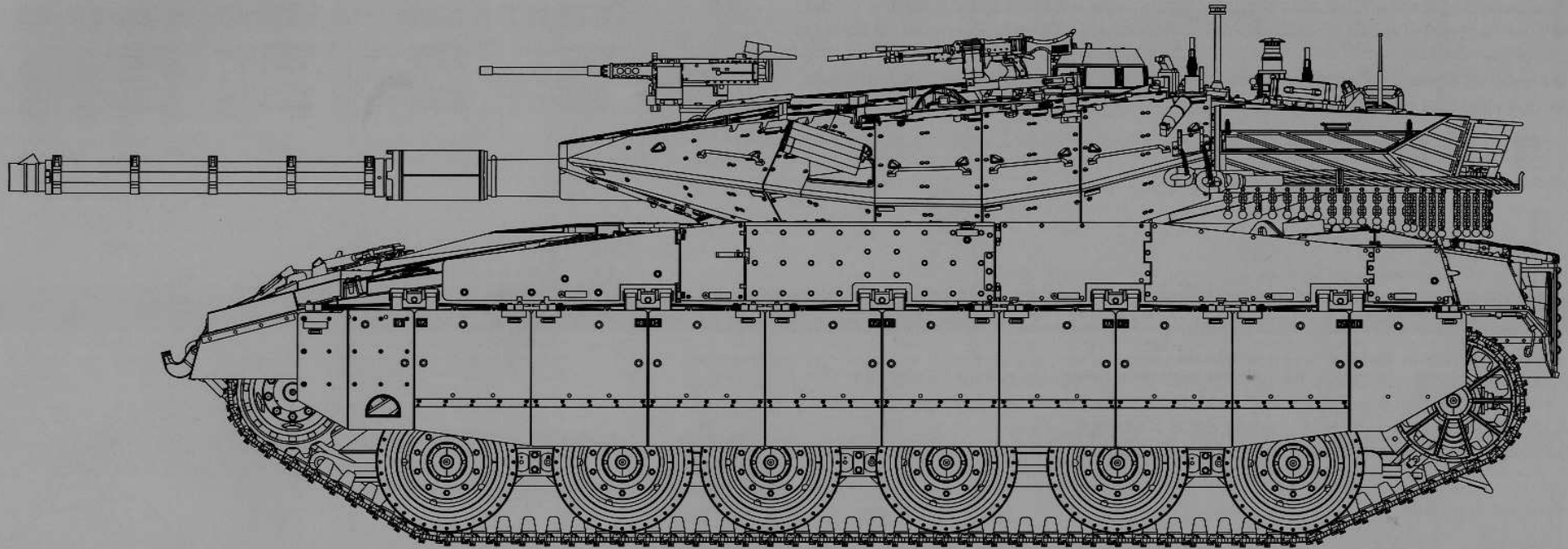


# MERKAVA MK.20



Named after the ancient Hebrew war chariot, Israel's Merkava tank was forged by experience on the battlefield as well as the painful political realities facing the Jewish state. After enthusiastically providing the UK with valuable data gathered during 2 years of intense evaluation of the Chieftain tank, The Israelis were denied the weapon after political objections by wealthy Arab states resulting in the British cancellation of their agreement in 1969. This sudden turn of events instigated the ultimate decision in Israel to become self-sufficient and produce an indigenous tank of their own.

Drawing on experience gained operating U.S. & British tanks in heavy combat, the Merkava was designed after the Yom Kippur war of 1973, and after several prototypes were tested and improved, the new tank went into production in 1977. Design features included a troop compartment in the rear accessed by a unique split hatch reminiscent of APC's, a 908 Hp Teledyne Continental AVDS 1790-6A diesel engine mounted in the front of the hull for increased crew protection from the front, and a flat, arrow-shaped turret housing a powerful license-produced fully-stabilized version of the rifled 105-mm M68 tank gun. Up to 62 rounds can be carried, including APFSDS, HEAT, HE-FRAG, and smoke rounds. Secondary armament comprised of two US 7.62 mm machine-guns and a third heavy Browning .50 caliber could be mounted on top of the commander cupola. An external 60 mm mortar could be fired by an operator from the nearby hatch. The tank features a Laser Range Finder and a digital fire control system, and enjoys NBC protection and an automatic fire extinguishing system. The Merkava can carry up to 10 fully equipped troops, as well as its crew of 4, consisting of the driver, gunner, loader, and commander.

The Merkava Mk.1 saw combat in Lebanon in 1982 and began featuring various successive upgrades which ultimately led to the more advanced Mk.IID. These improved tanks feature enhanced fire control & thermal sensors, a new transmission, increased fuel capacity, extra armor, and relocation of the mortar. The Mk.IID features classified new modular composite armor and is fitted with newly designed side skirts which provide added protection against threats faced along the Golan Heights.

# READ BEFORE ASSEMBLY

## CAUTION

- Read carefully and fully understand the instructions before commencing assembly. A supervising adult should also read the instructions if a child assembles the model.
- When assembling this kit, tools including knives used. Extra care should be taken to avoid personal injury.
- Keep out of reach of small children. Children must not be allowed to suck any part, or pull vinyl bag over their heads.



Optional



Be Careful



Do Not Cement



Drill



Instant Glue  
for Metal

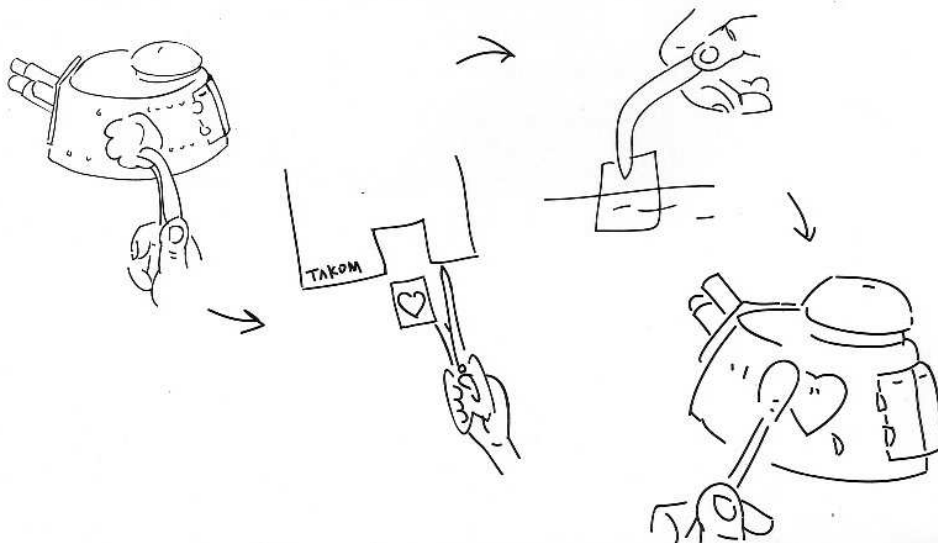
## PAINTS REQUIRED

Color info and profiles by Mig Jimenez

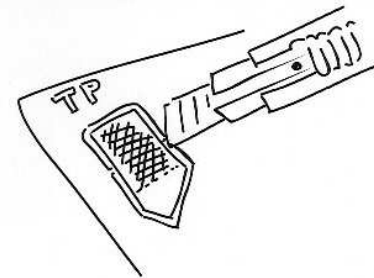
A.MIG-0051	Real IDF Signal Grey R2	A.MIG-0055	Dark Tracks	A.MIG-0054	Rust Tracks	A.MIG-0046	Matt Black
A.MIG-0053	Rubber & Tires	A.MIG-0045	Gun Metal	A.MIG-0100	Burnt Brown Red	A.MIG-0108	Silver
A.MIG-0094	Crystal Glass	A.MIG-0050	Crystal Smoke	A.MIG-0050	Crystal Red	A.MIG-0099	Crystal Black Blue

## APPLYING DECALS

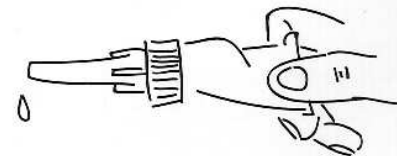
1. Clean the model surface with a wet cloth.
2. Cut out each decal design from sheet, and dip it in tepid water for 15~20 sec.
3. Hold the backing sheet edge and slide decal onto the model.
4. Move decal into position by wetting decal with finger.
5. Press decal gently down with a soft cloth until excess water and air bubbles are gone.



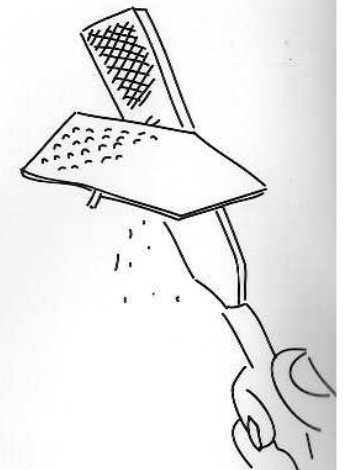
## REMOVING PE



Be careful not to hurt when removing PE parts.

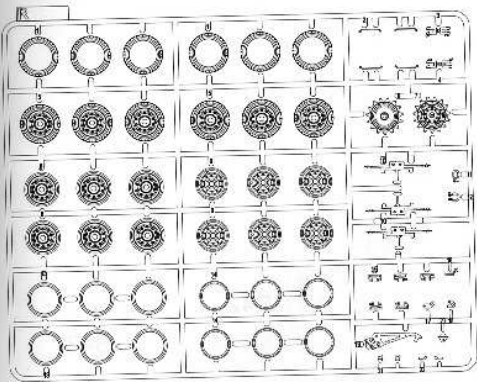


Secure using instant glue (not included).

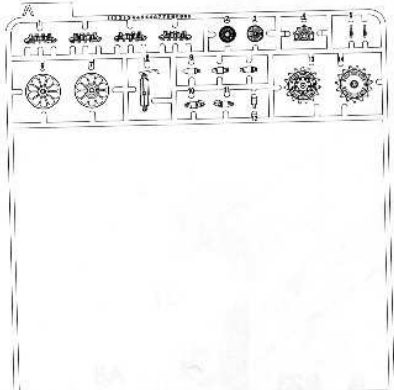
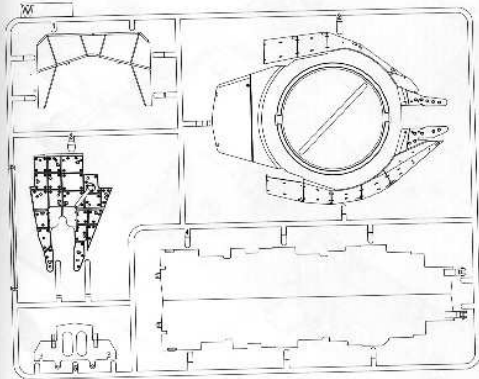


Finish using file.

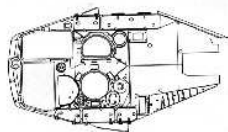
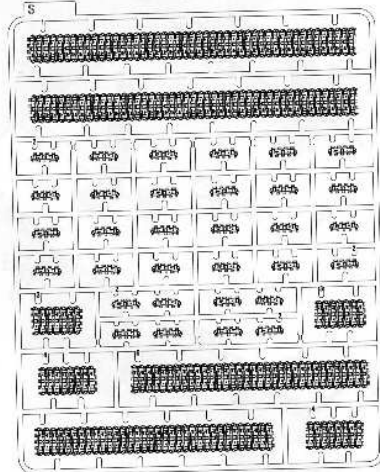
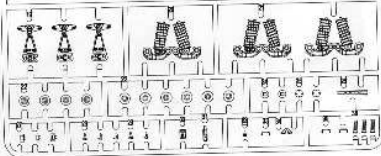
# PARTS



X2



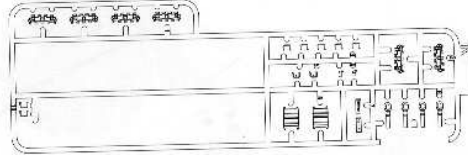
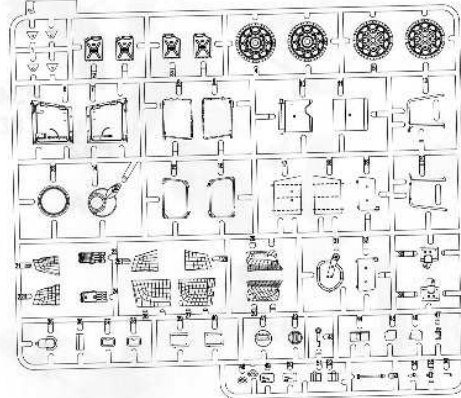
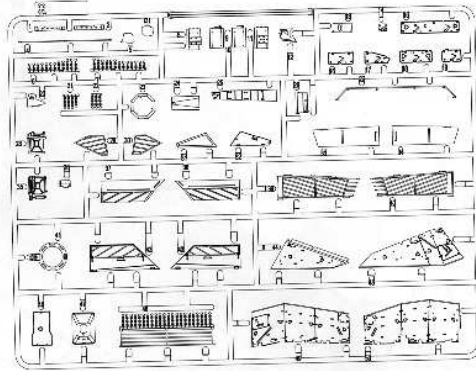
X2



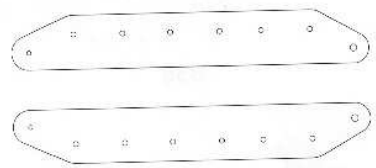
Turret



Metal Part

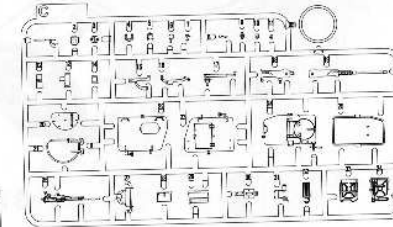
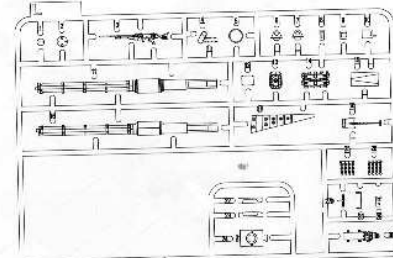
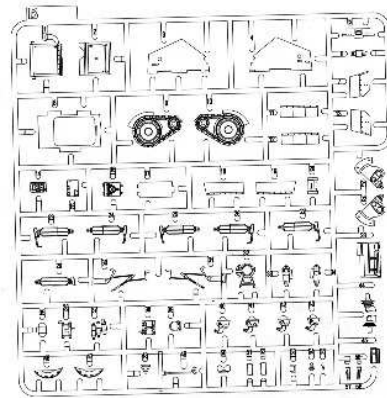


Chain



Z1

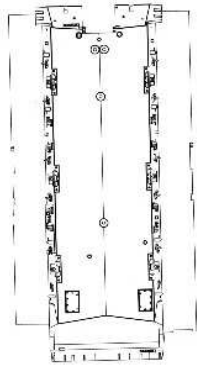
Z2



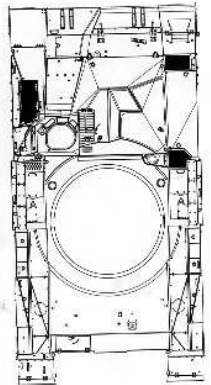
Cable



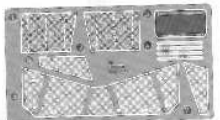
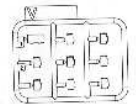
Decal



Lower Hull



Upper Hull

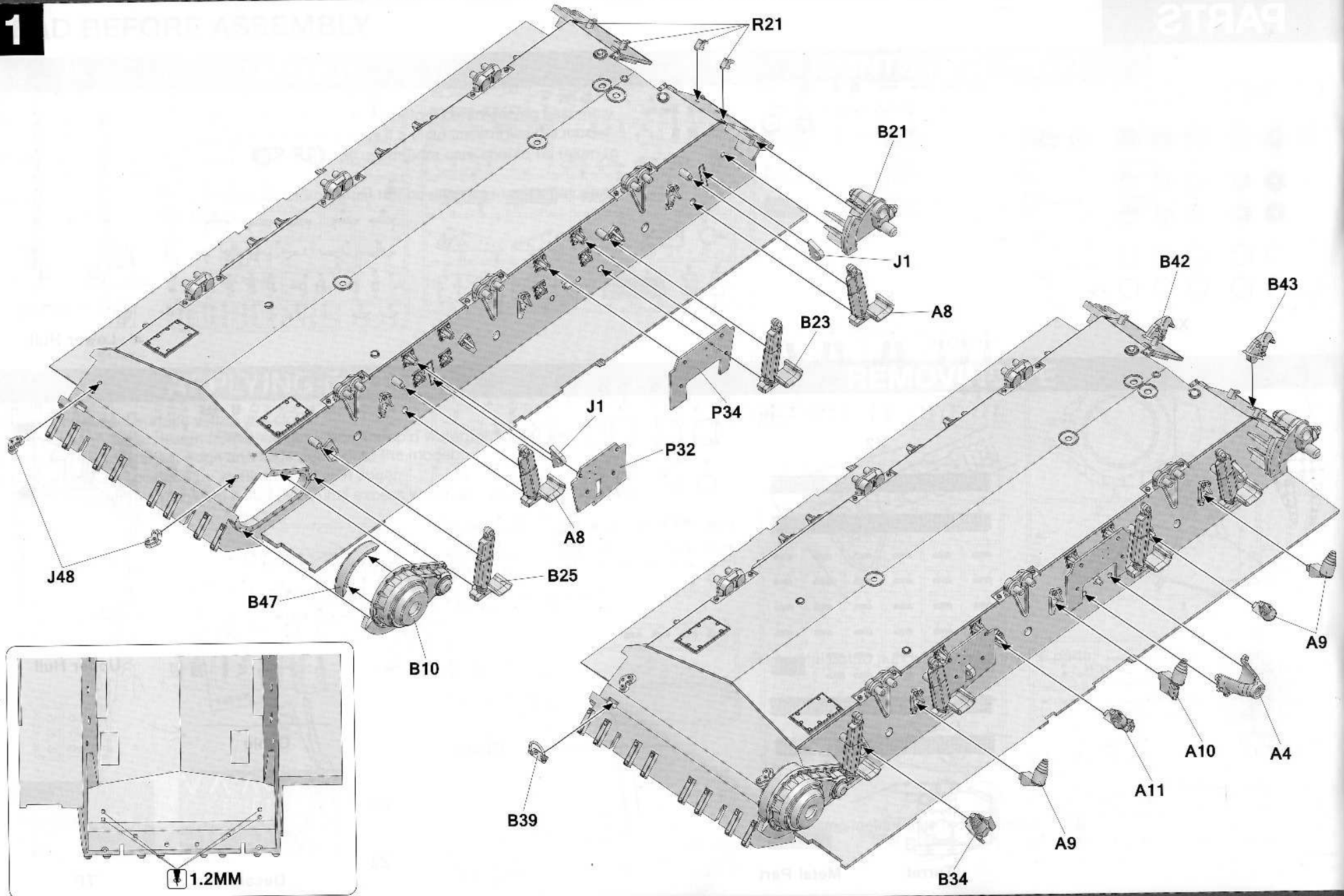


TP

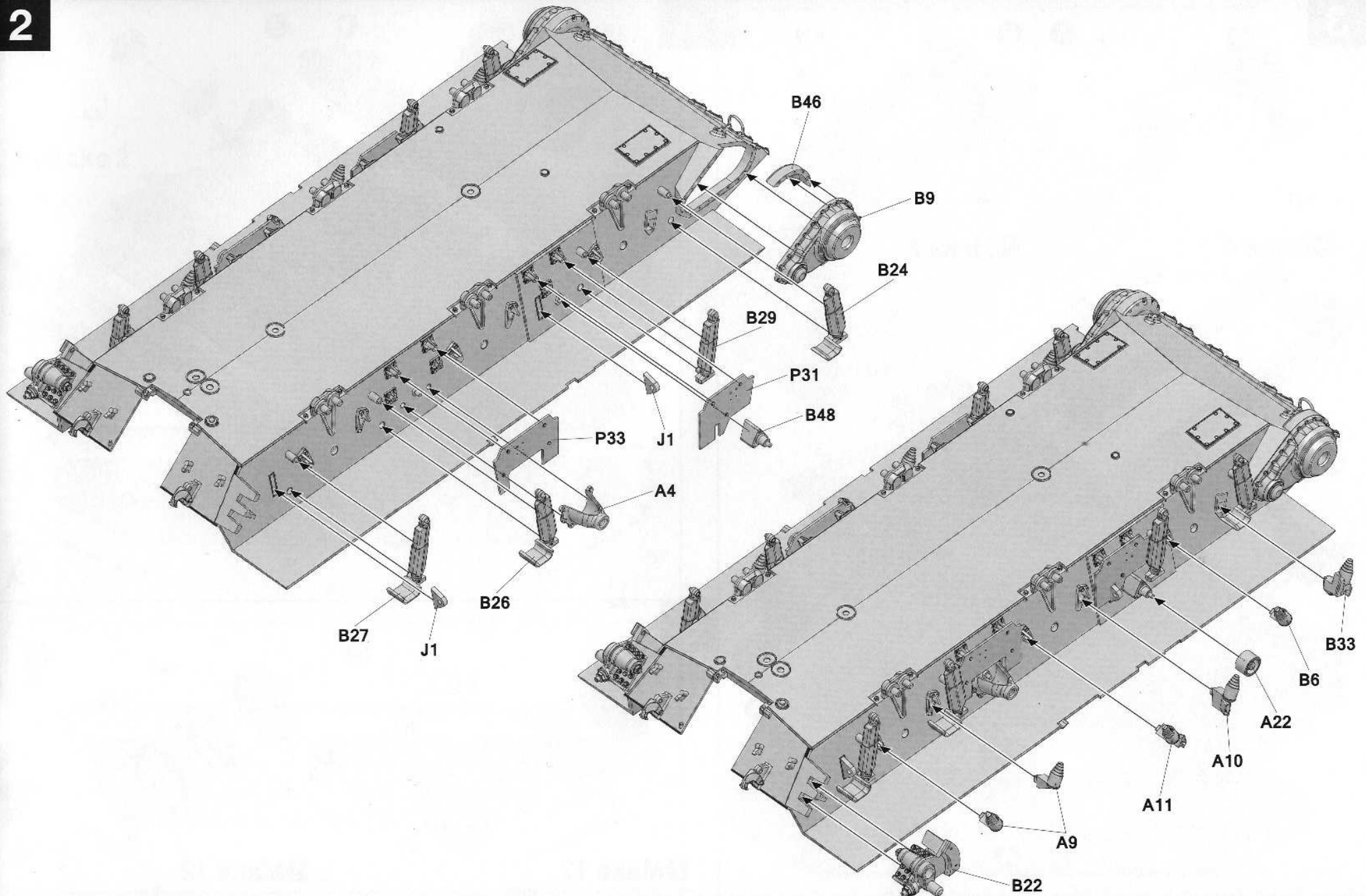
1

BEFORE ASSEMBLY

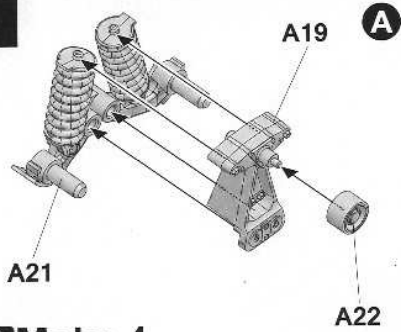
PARTS



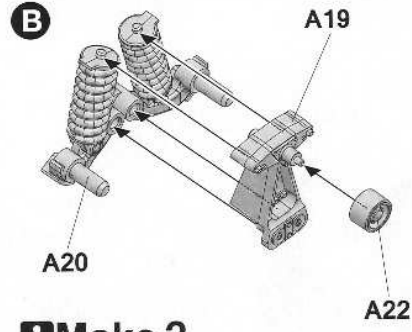




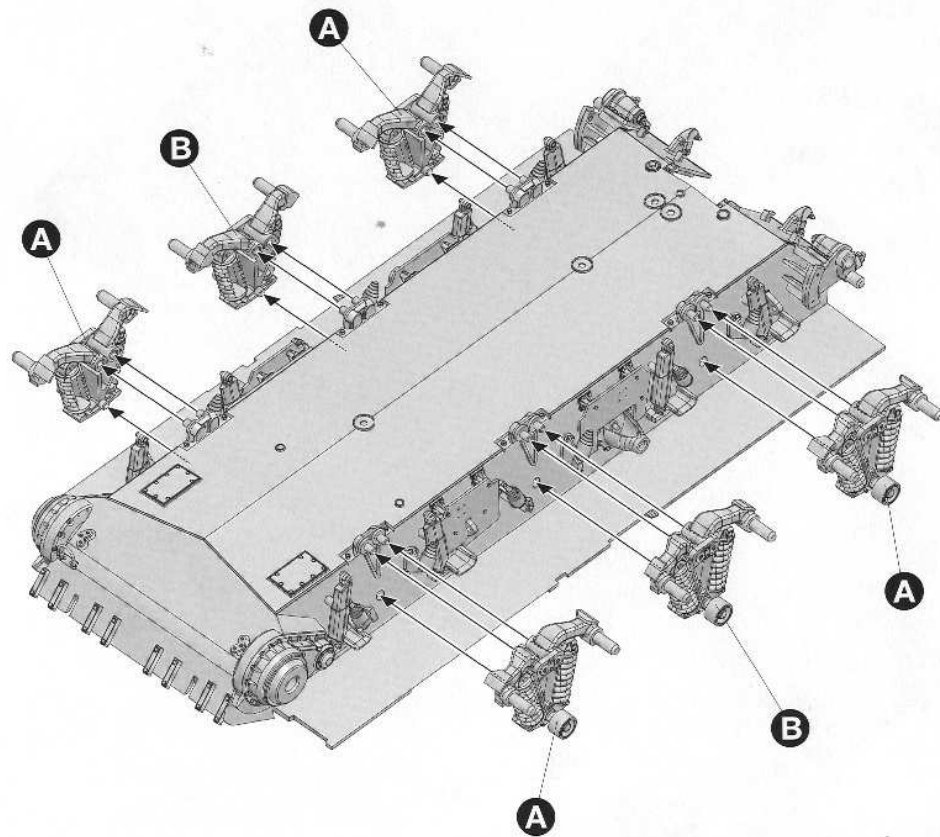
3



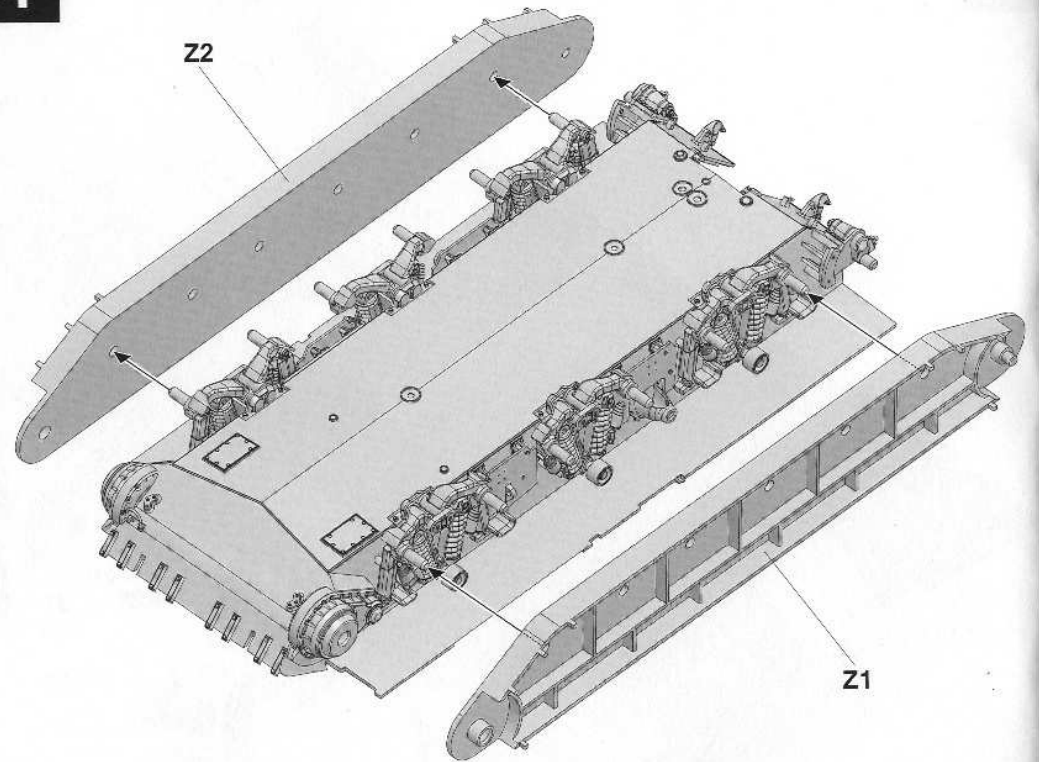
Make 4



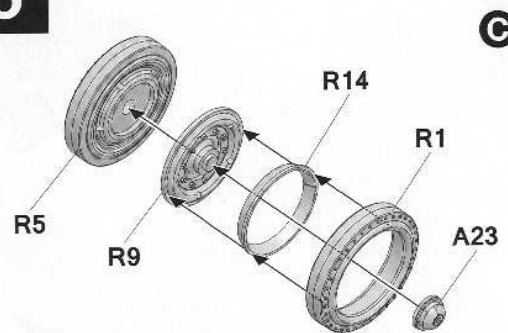
Make 2



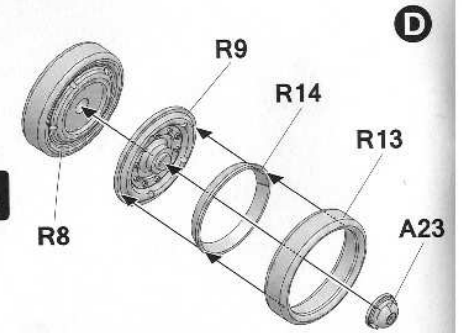
4



5

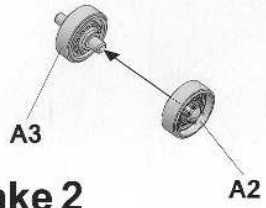


Make 12



Make 12

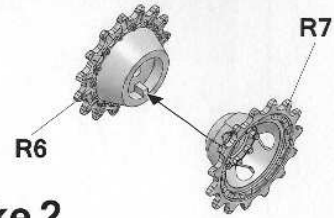
6



E

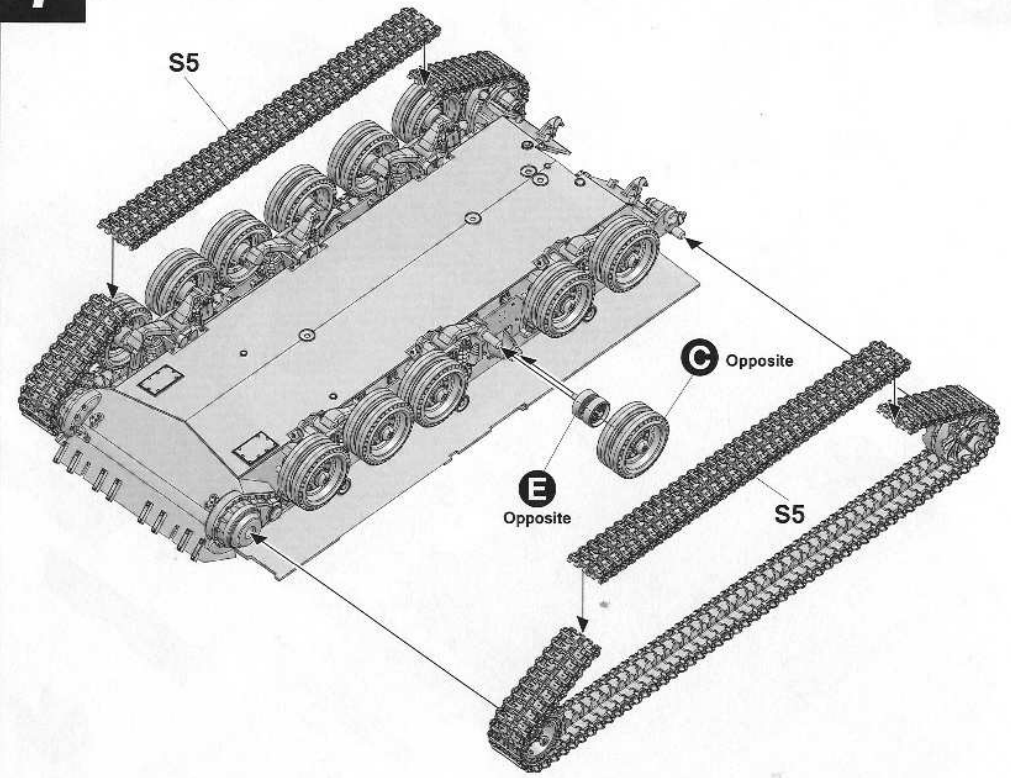
Make 2

F

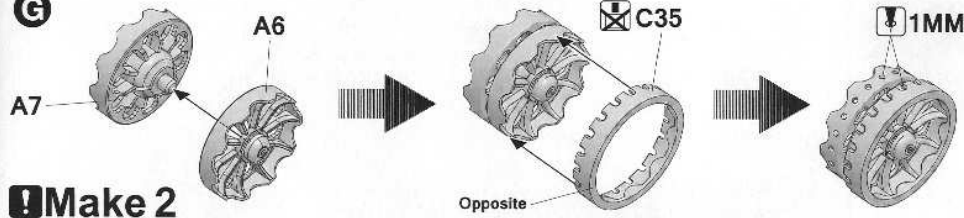


Make 2

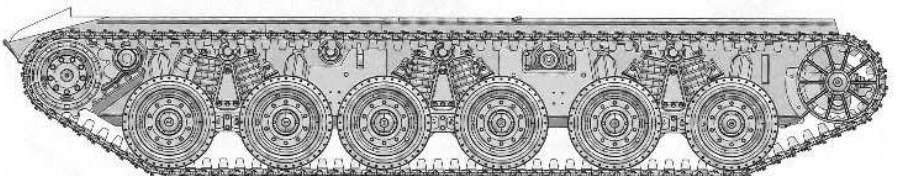
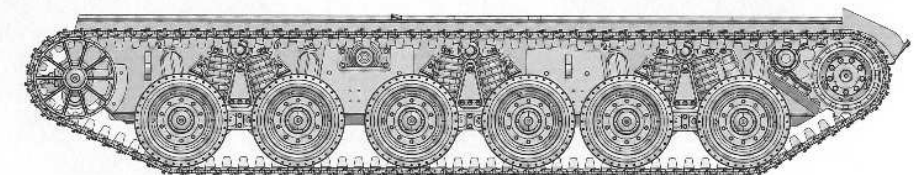
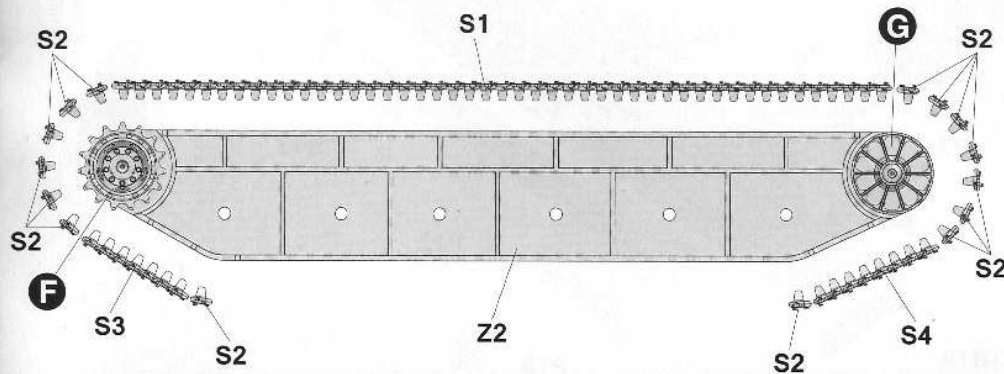
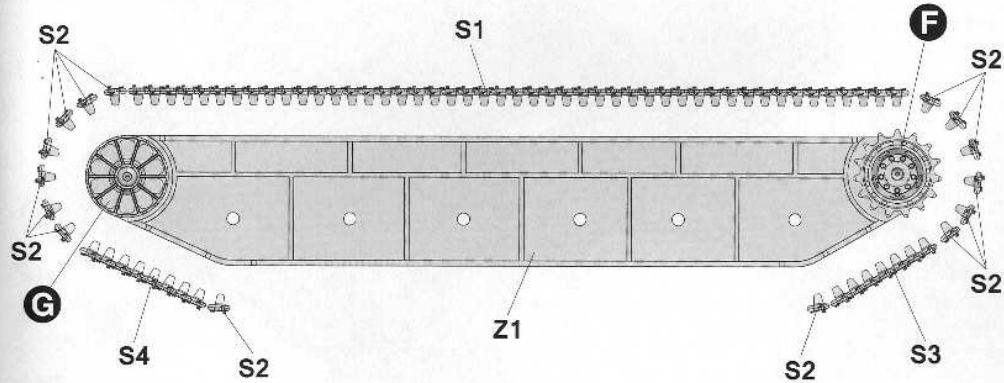
7

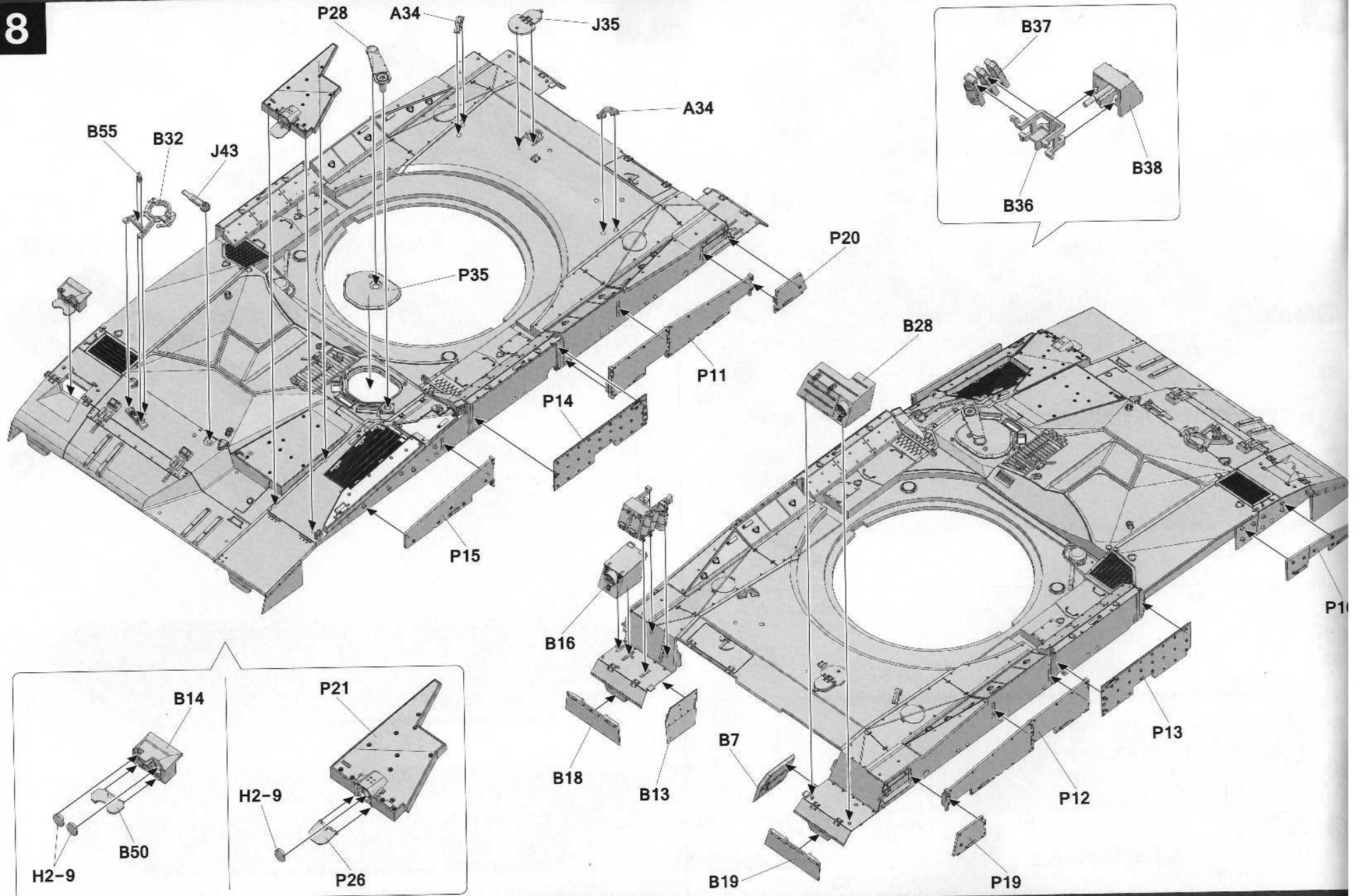


G



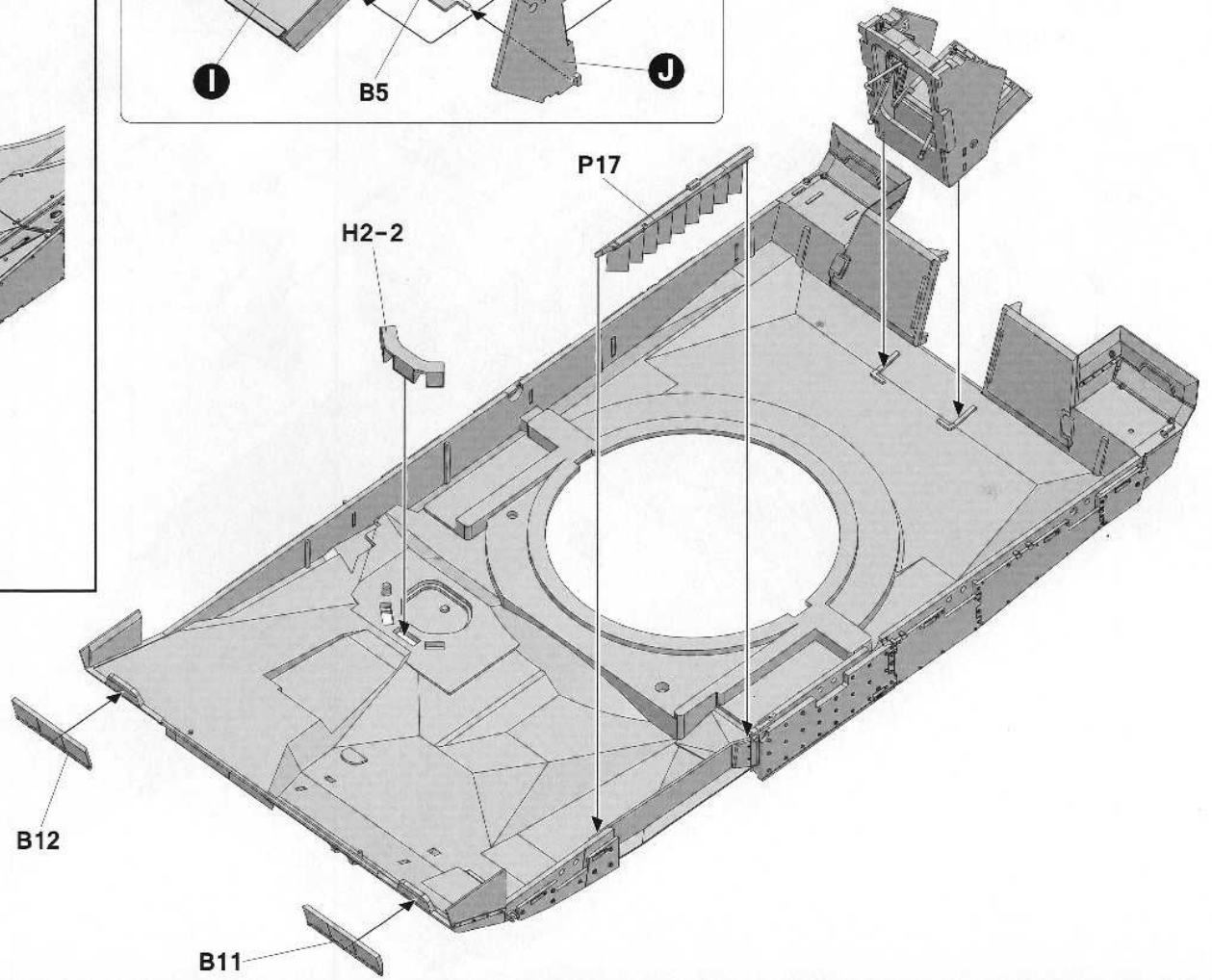
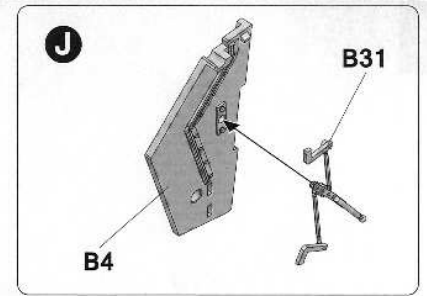
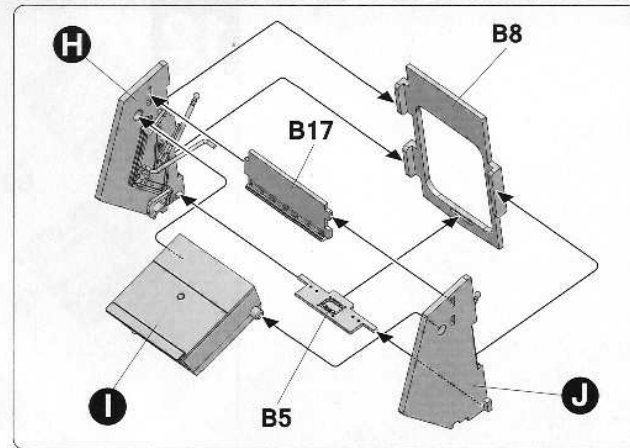
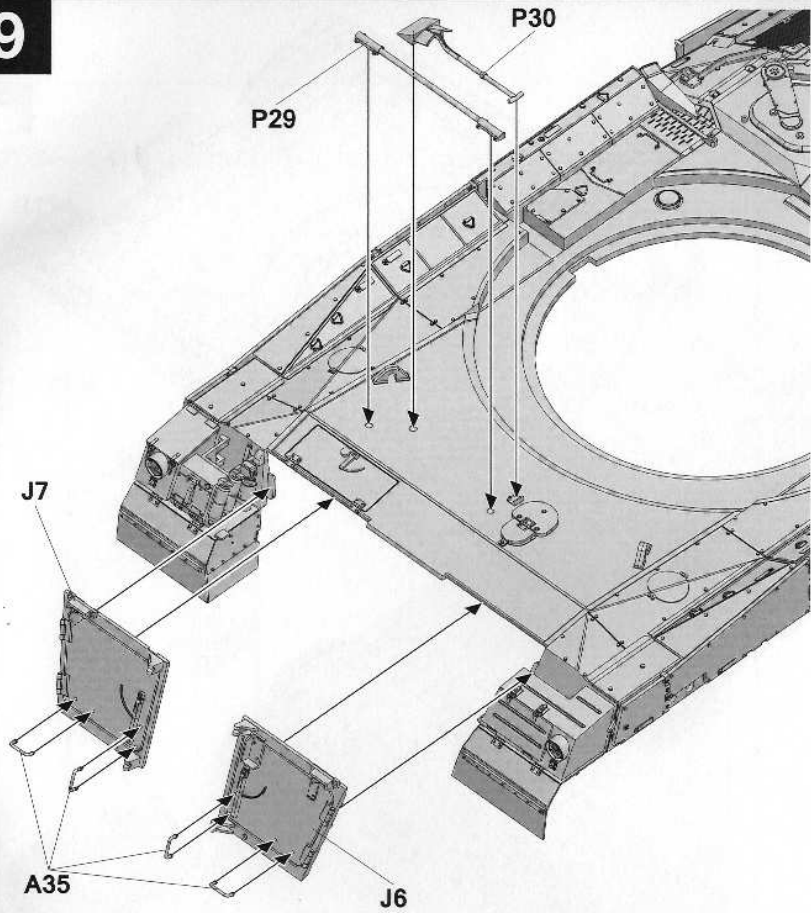
Make 2



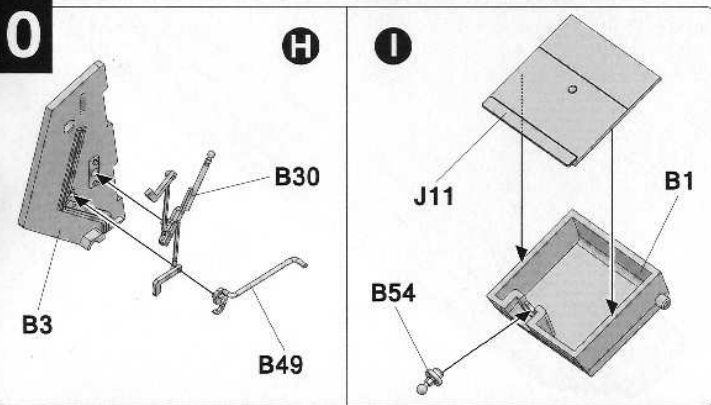




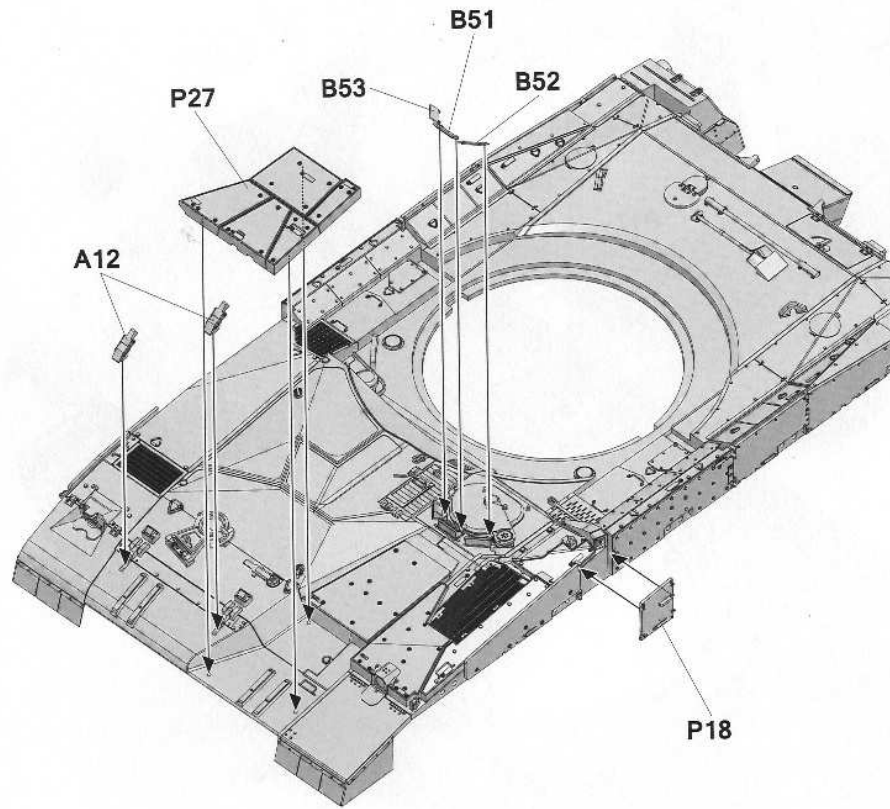
9



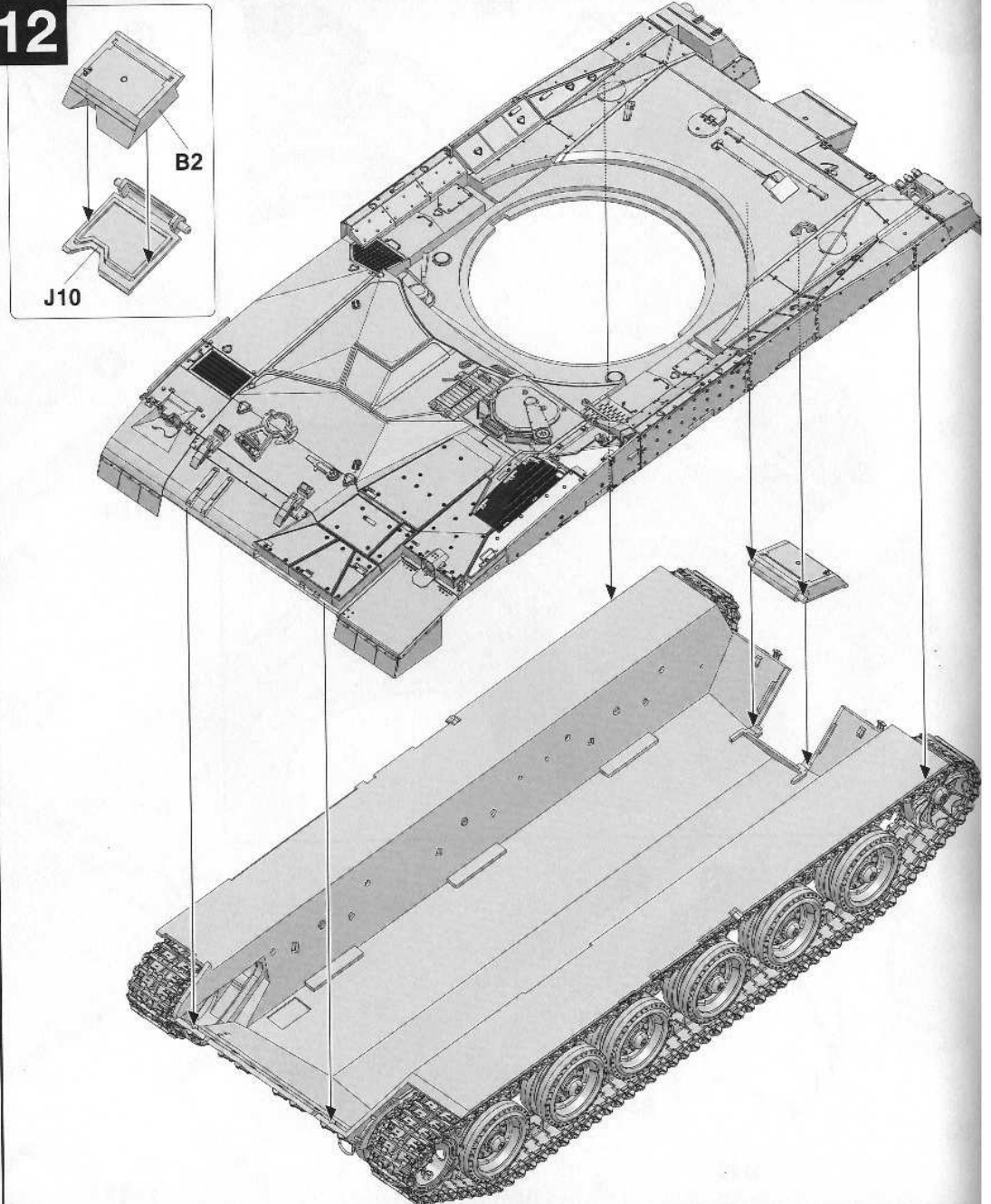
10



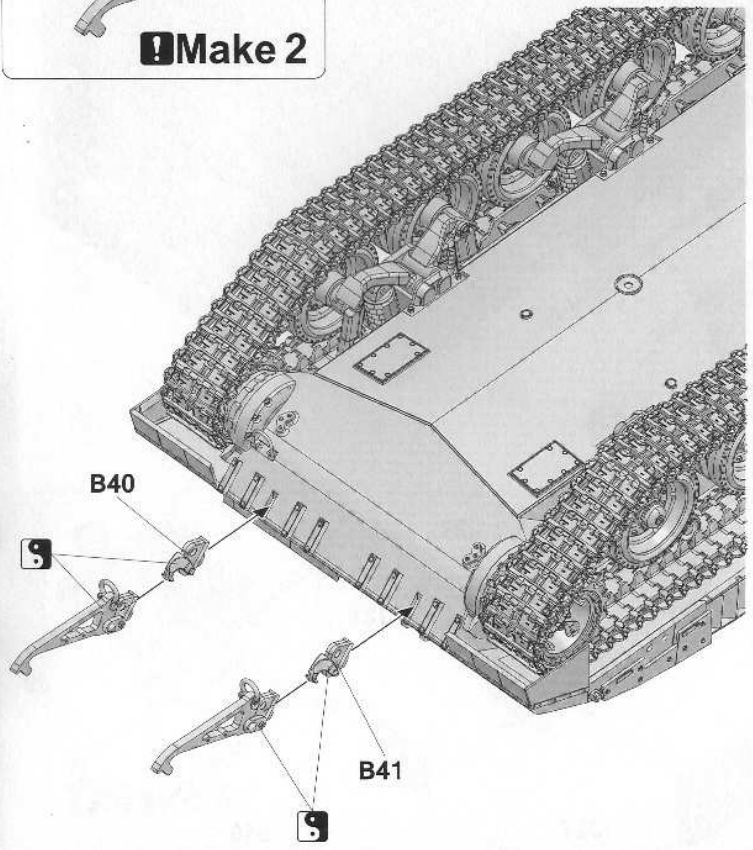
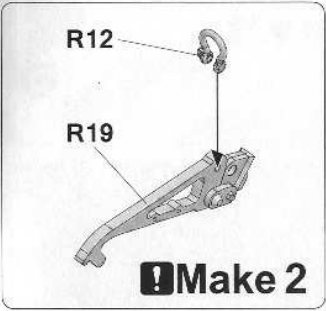
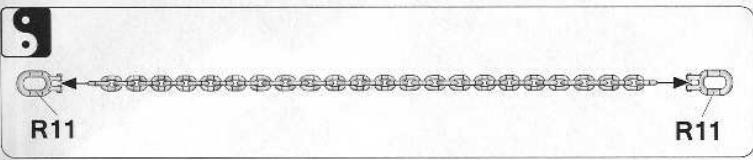
11



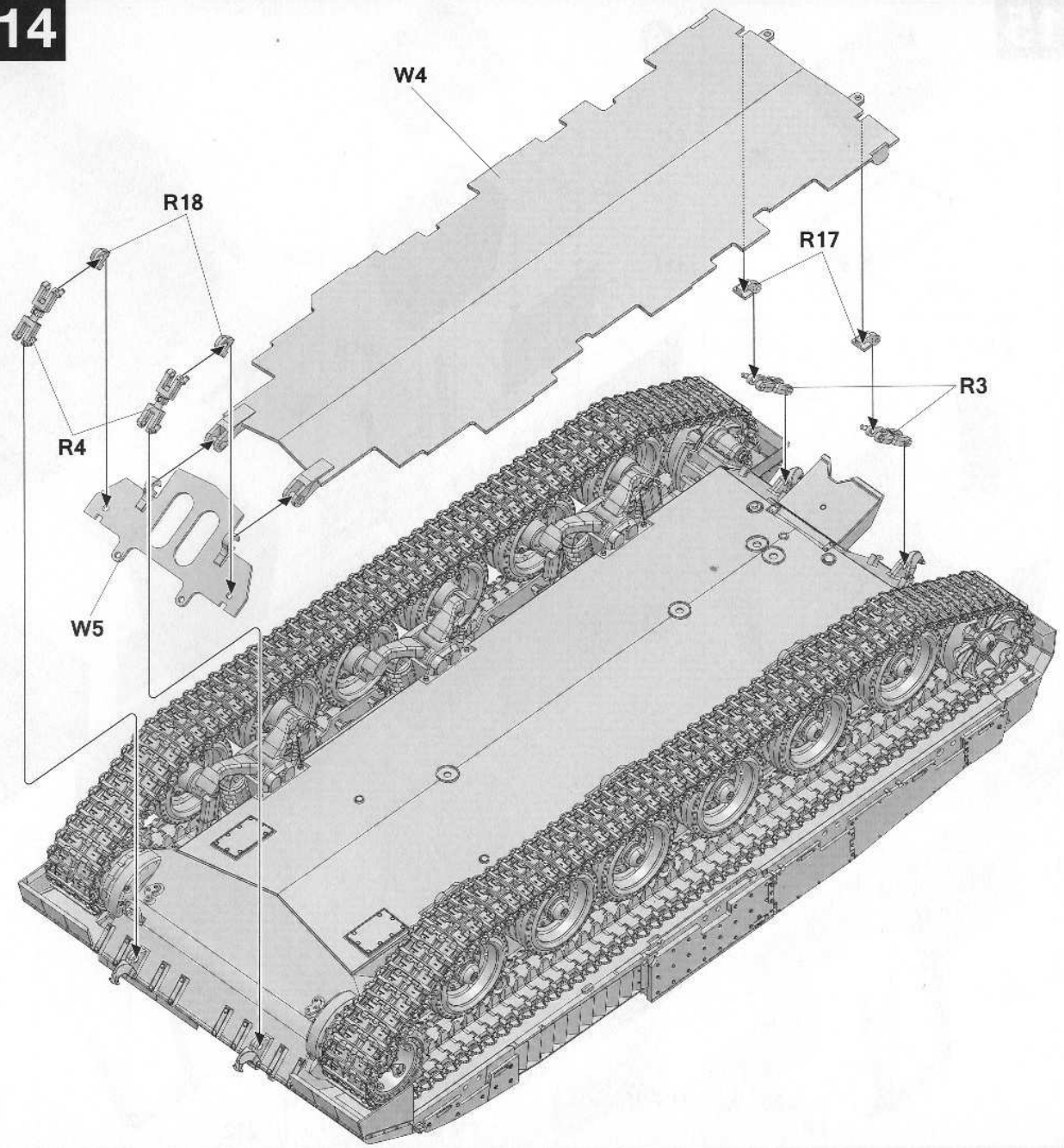
12



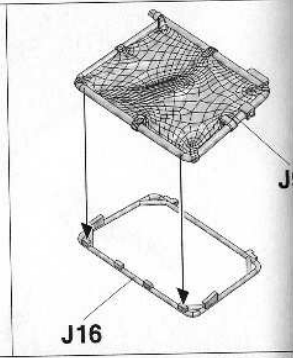
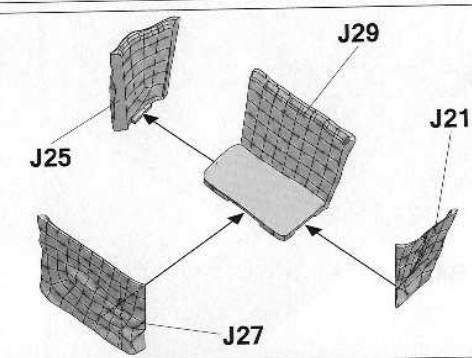
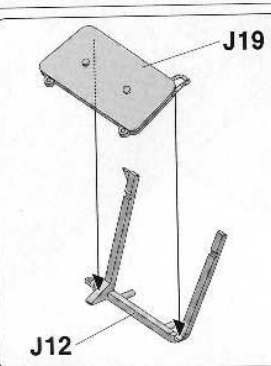
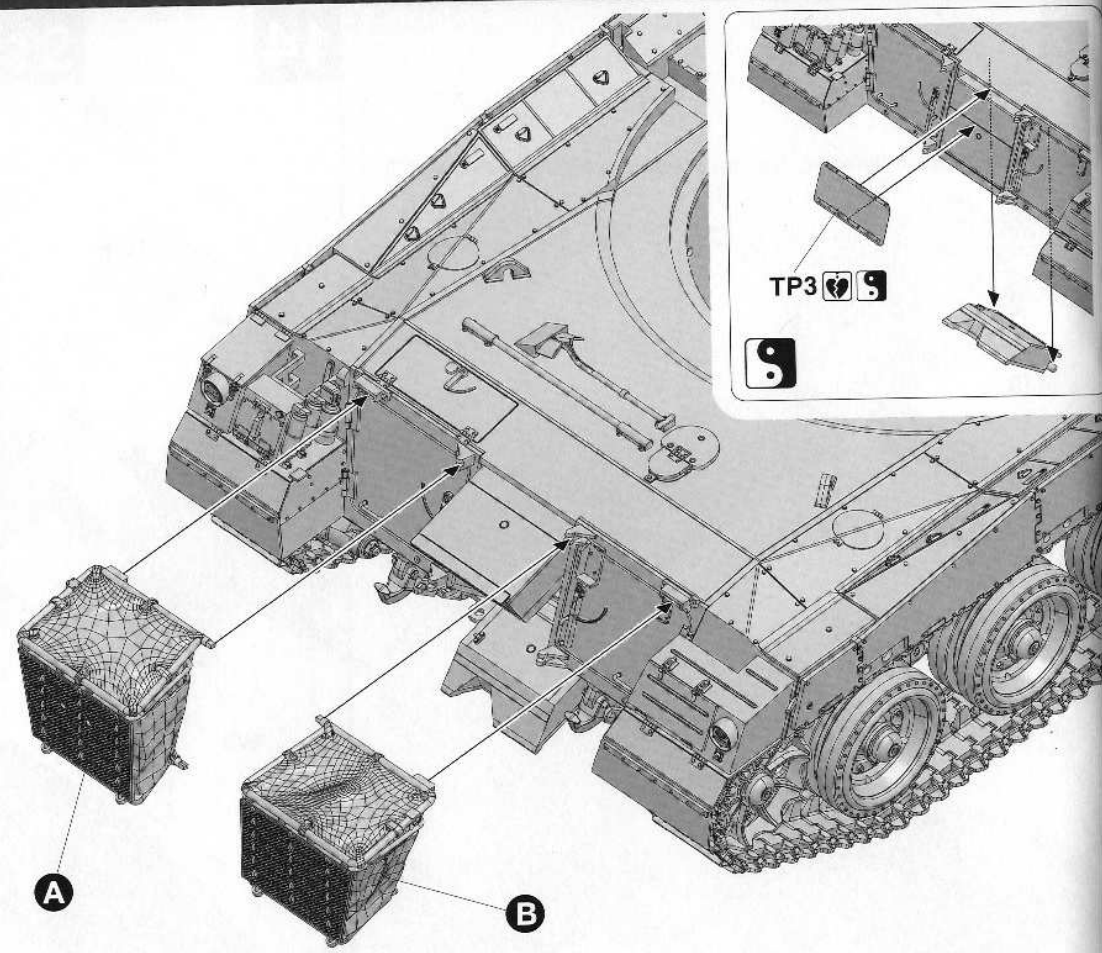
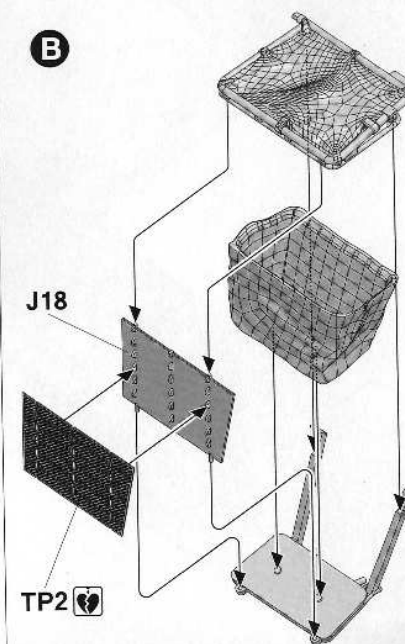
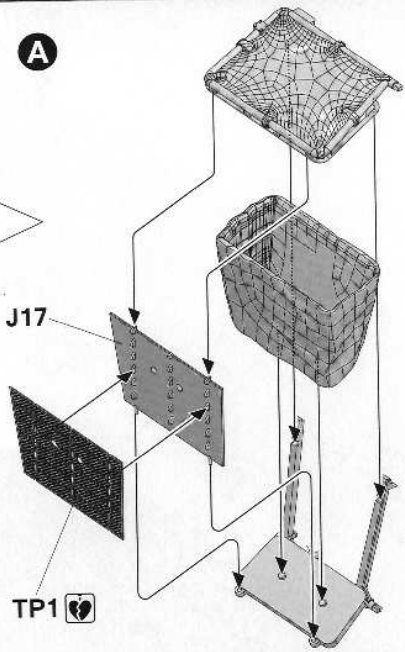
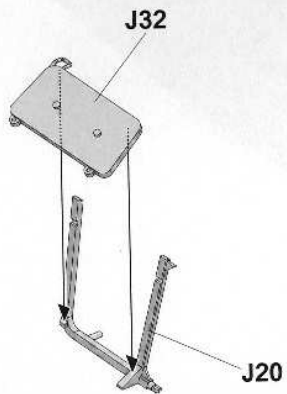
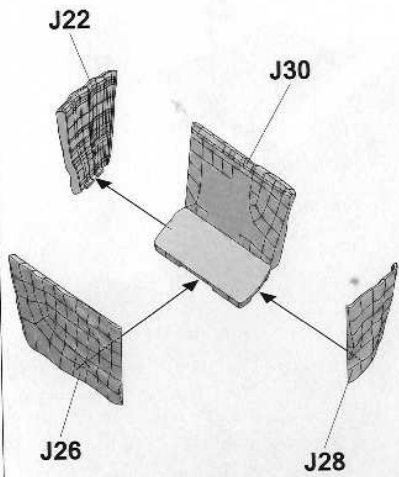
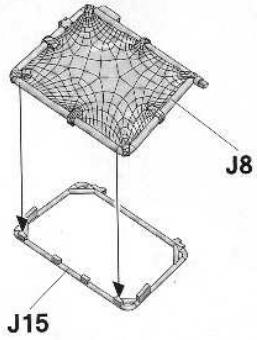
13



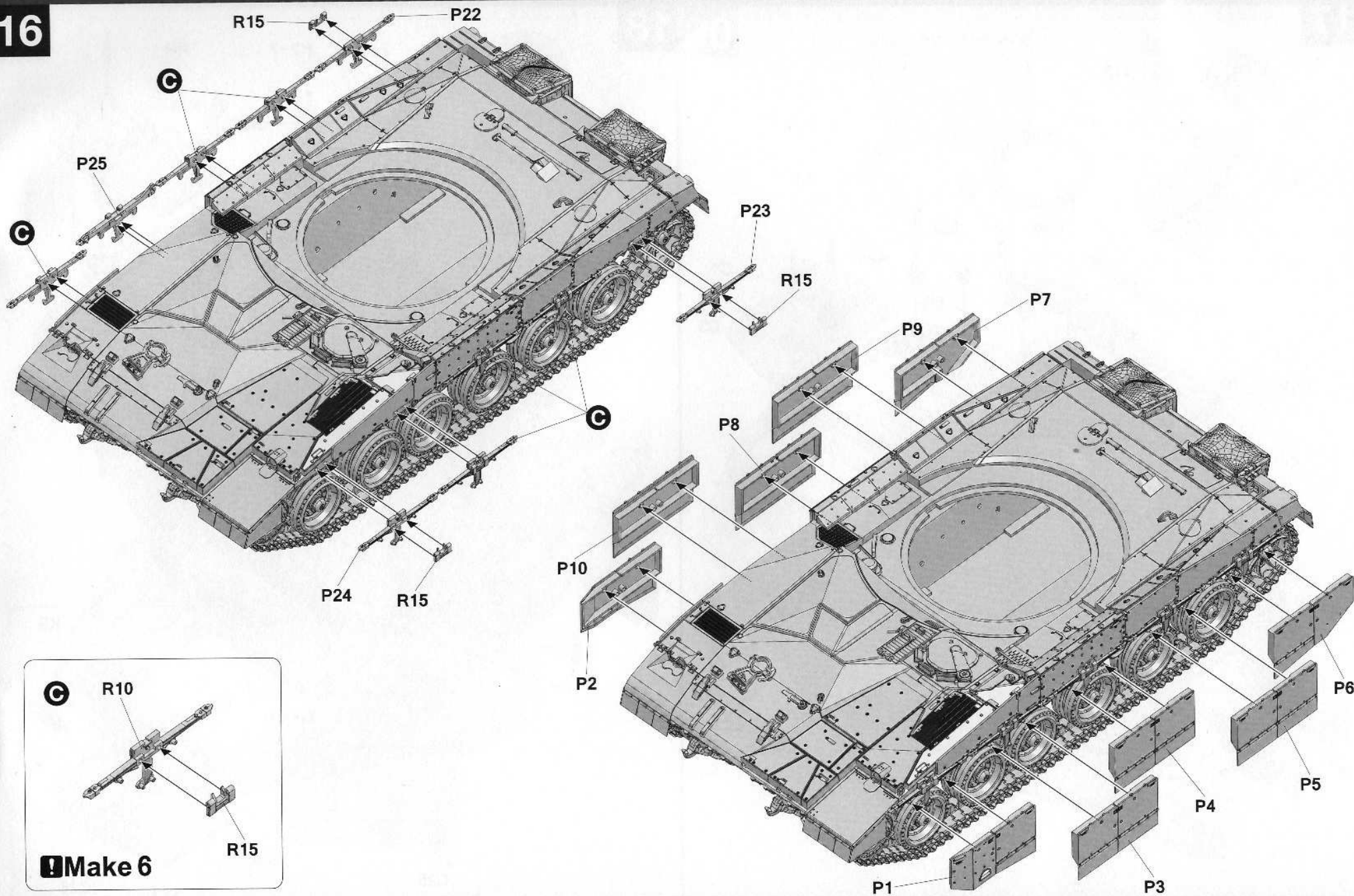
14



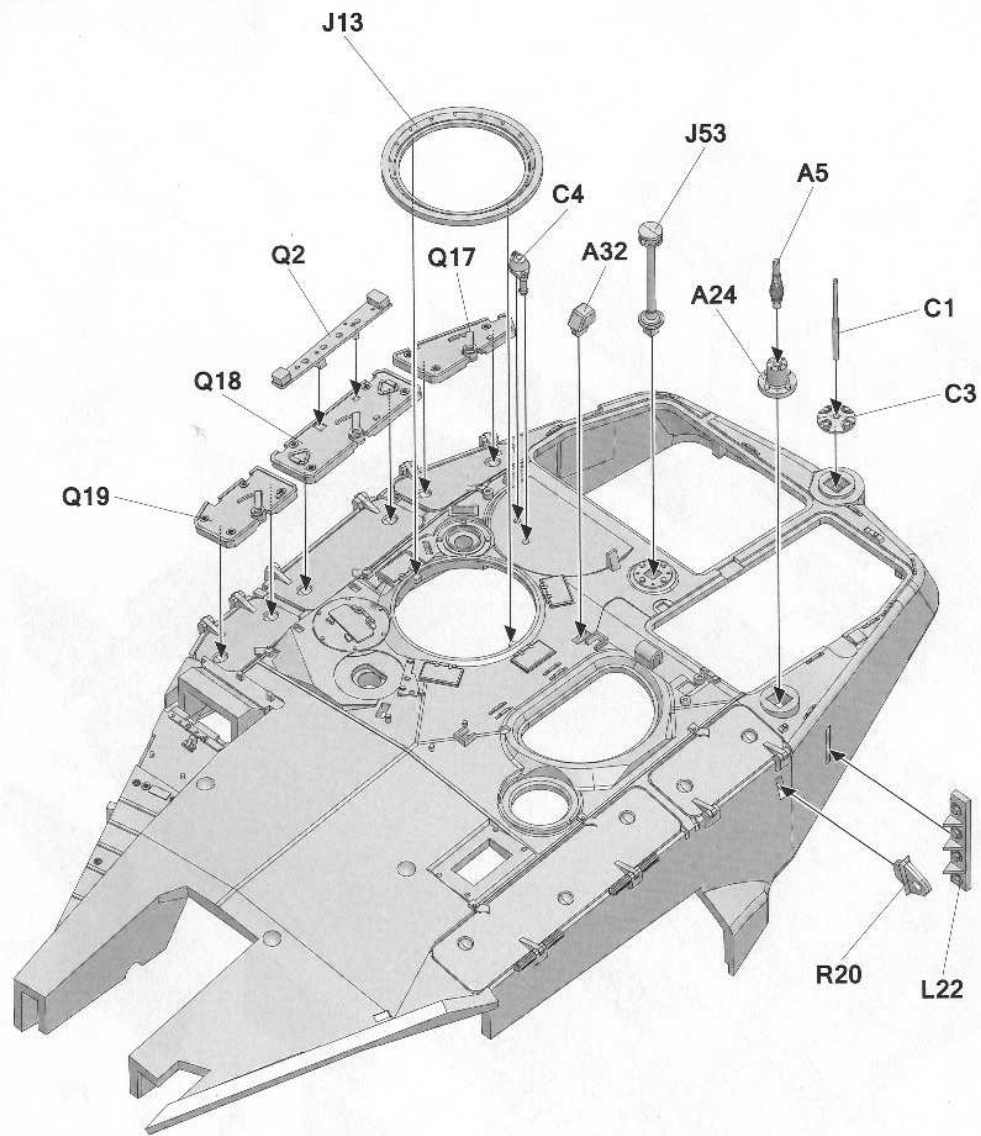




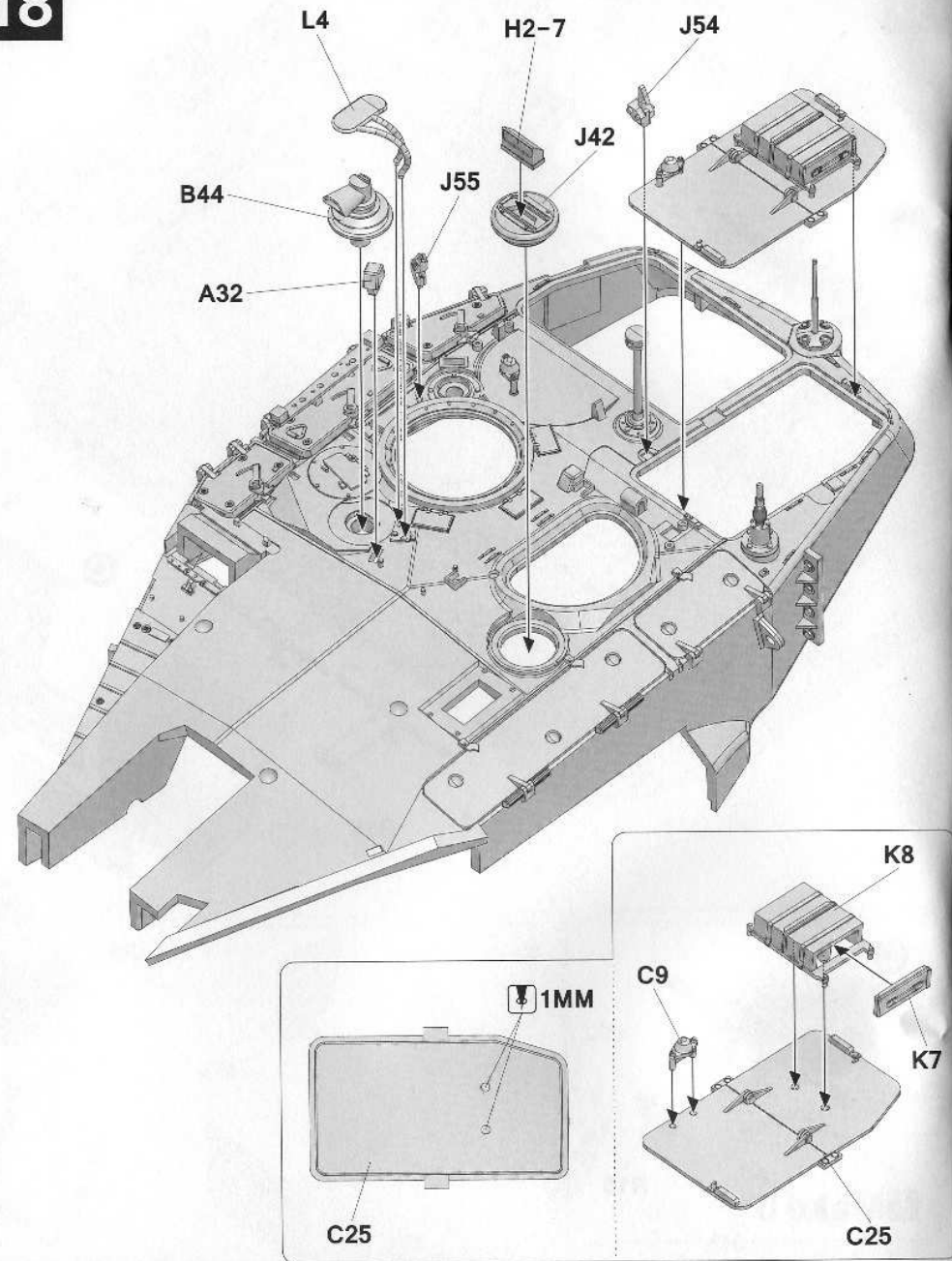




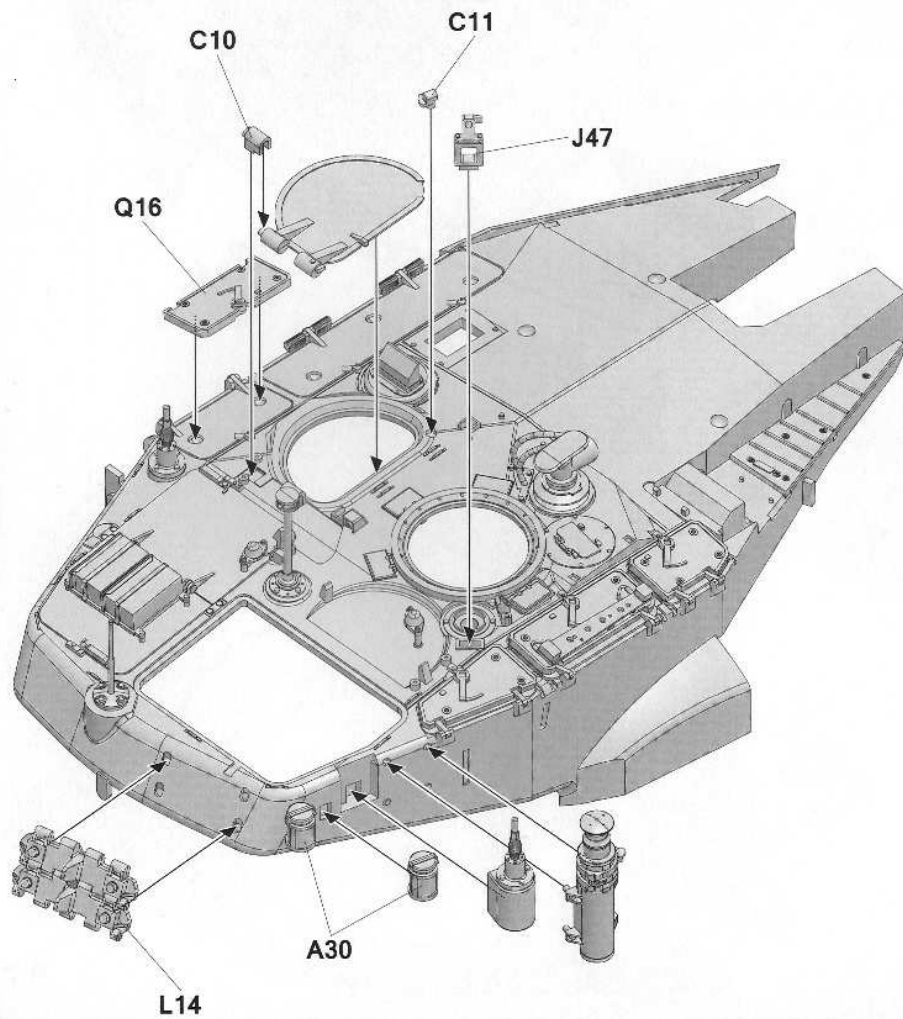
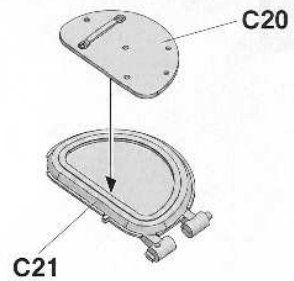
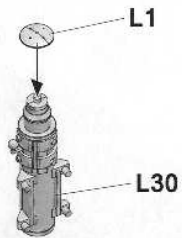
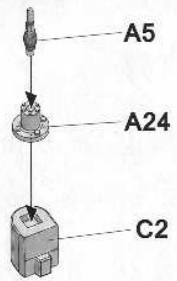
17



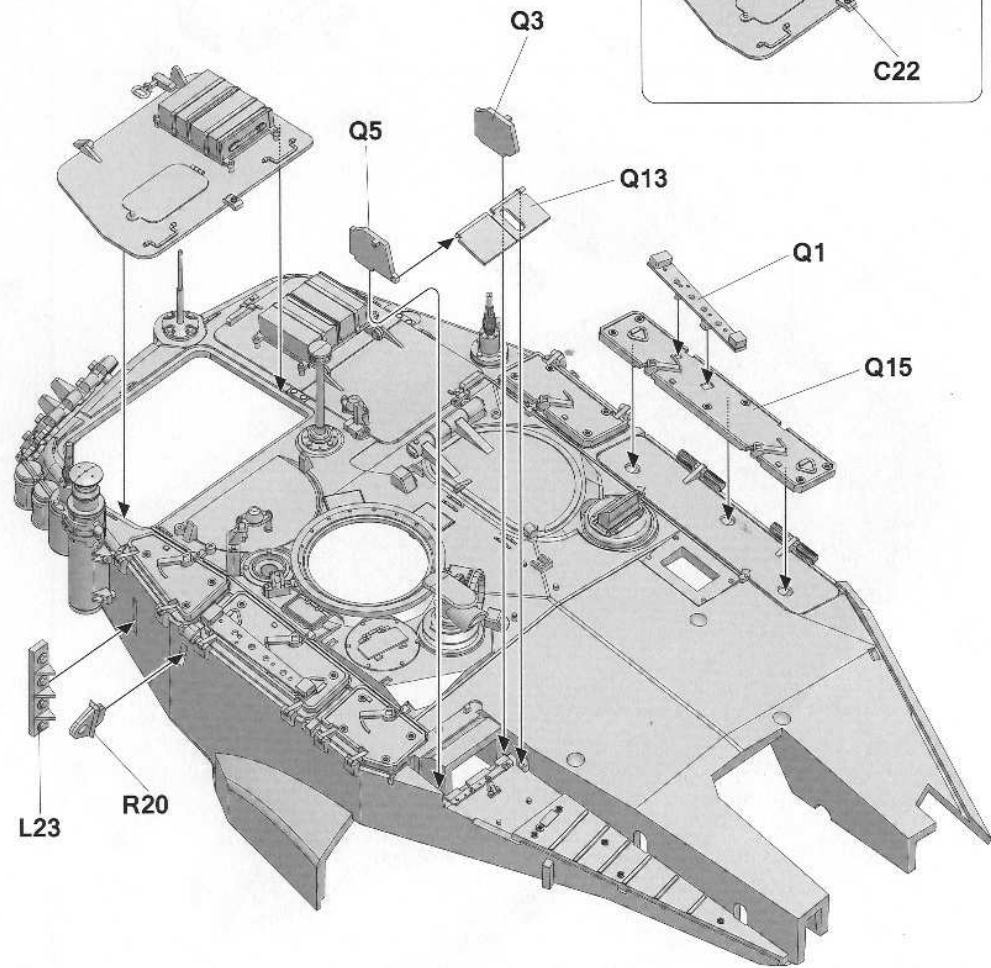
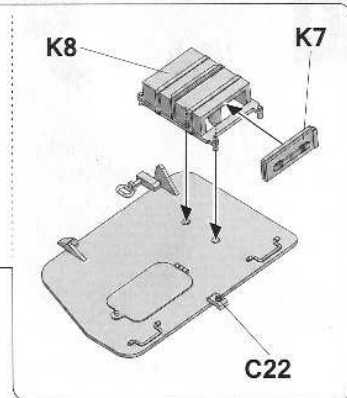
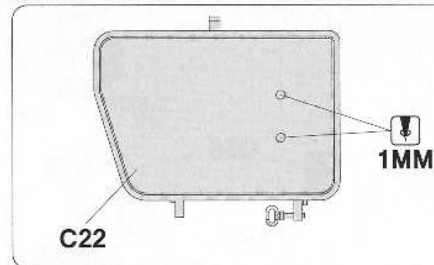
18



19

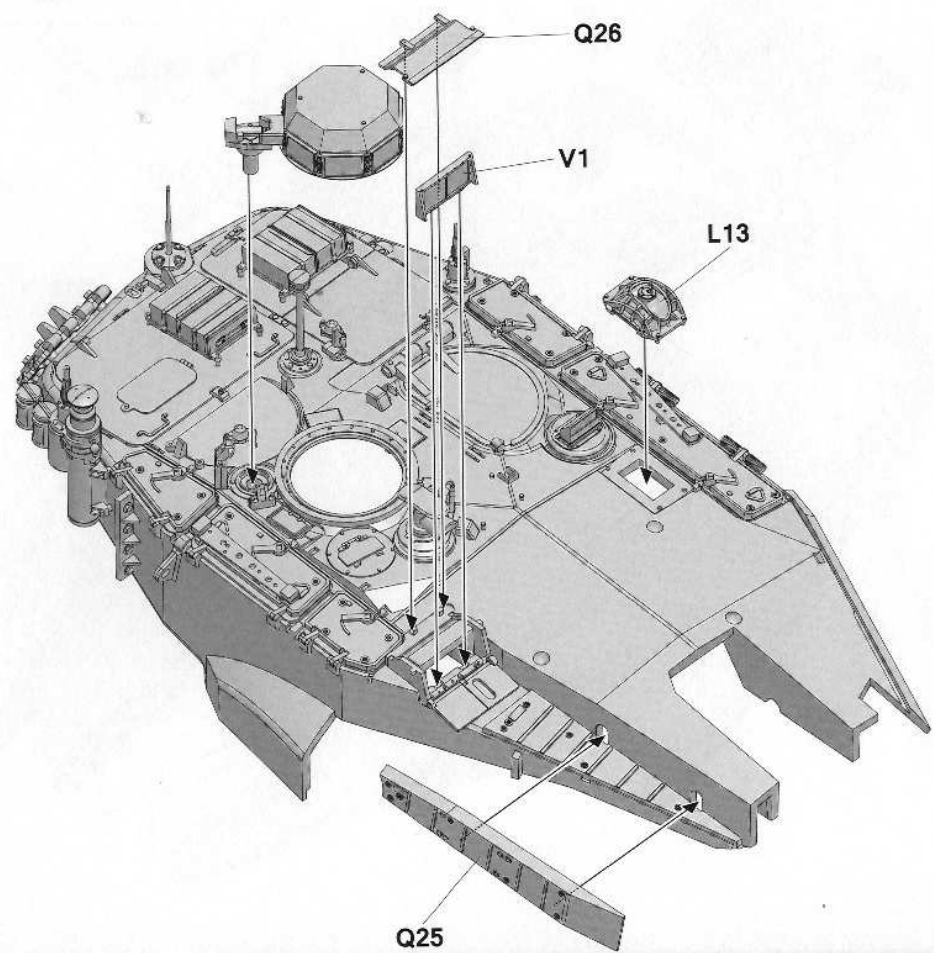
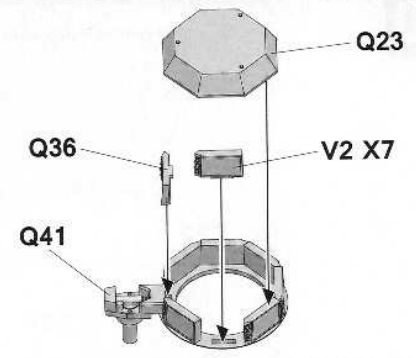
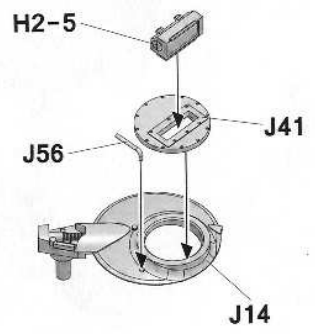


20

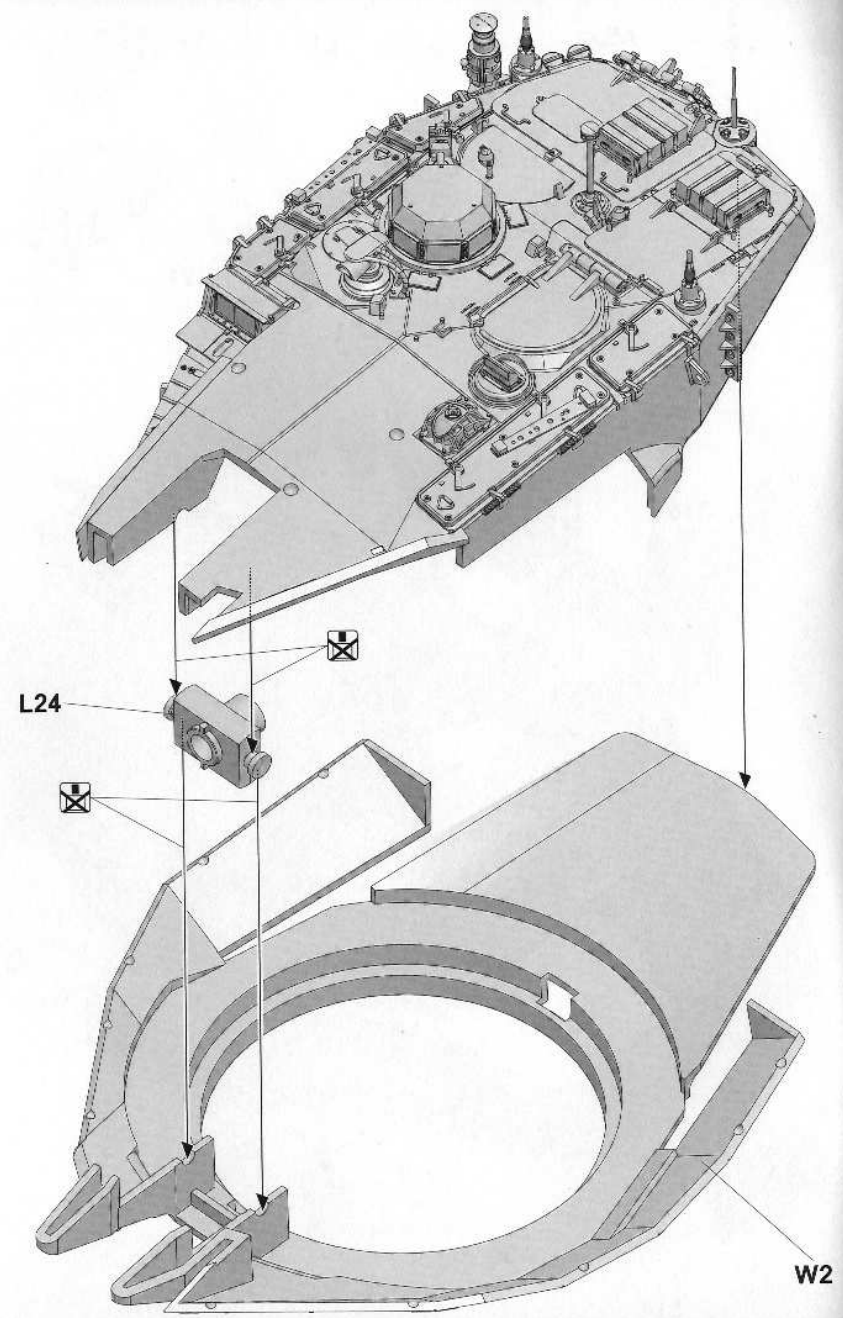




121

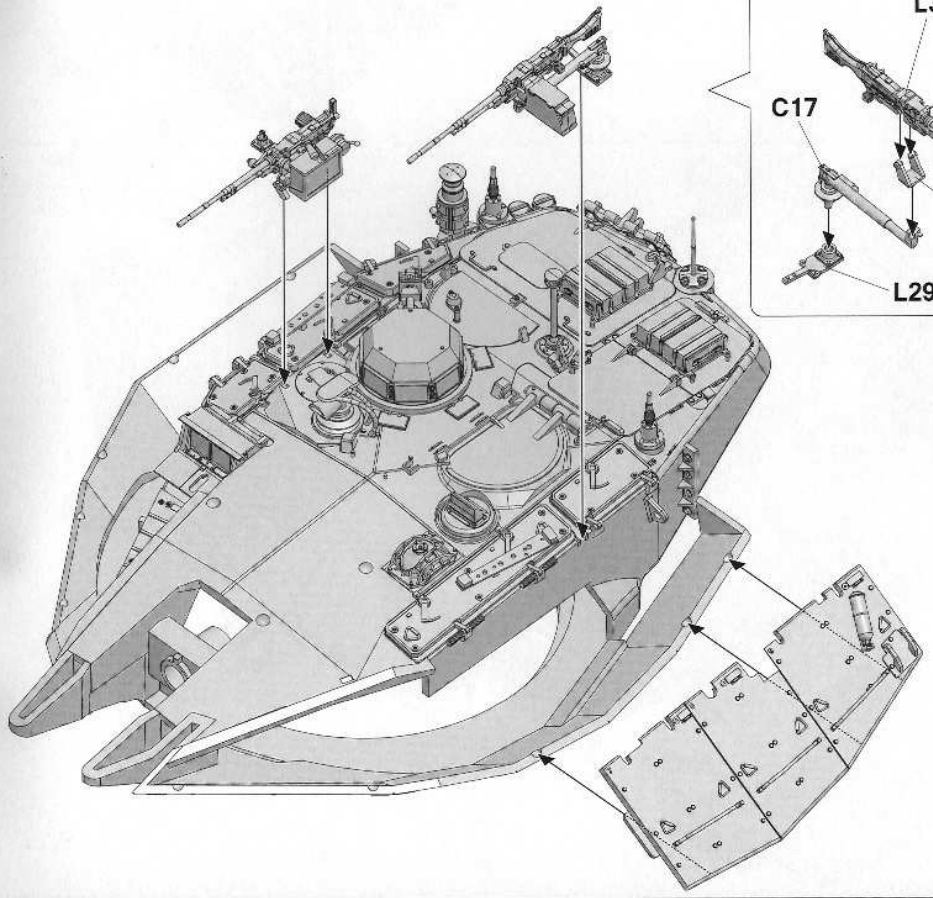
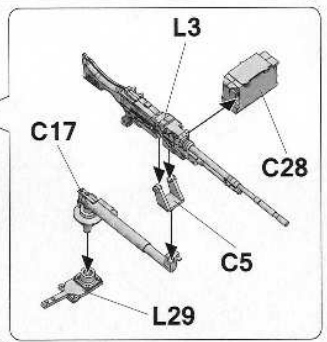
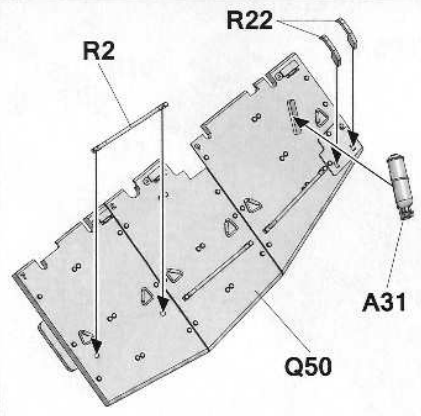
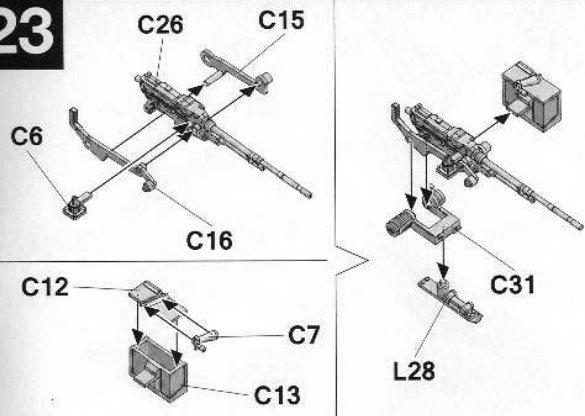


22

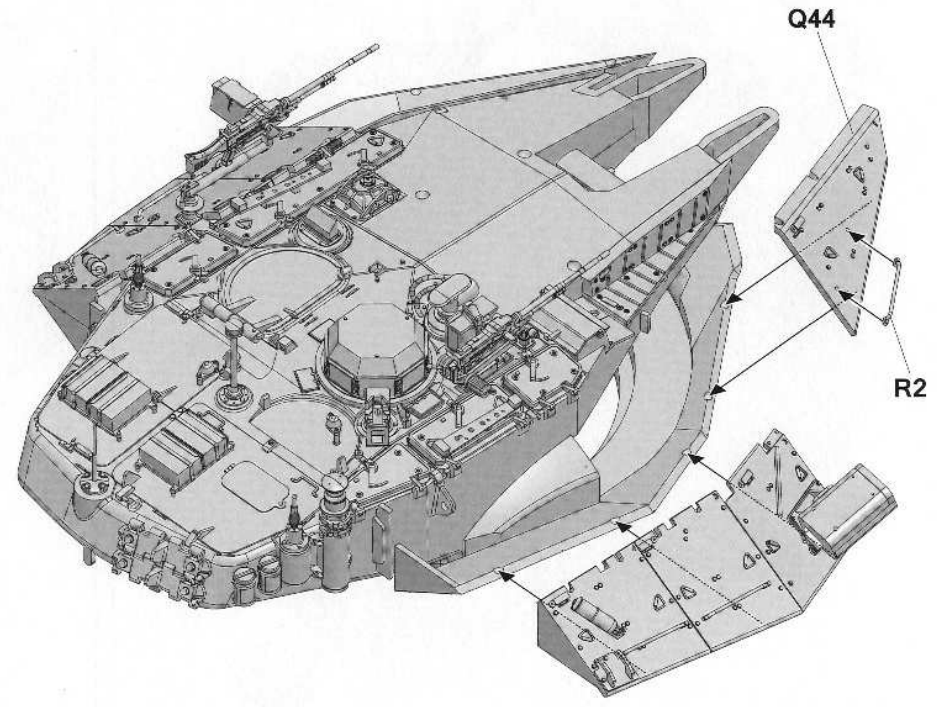
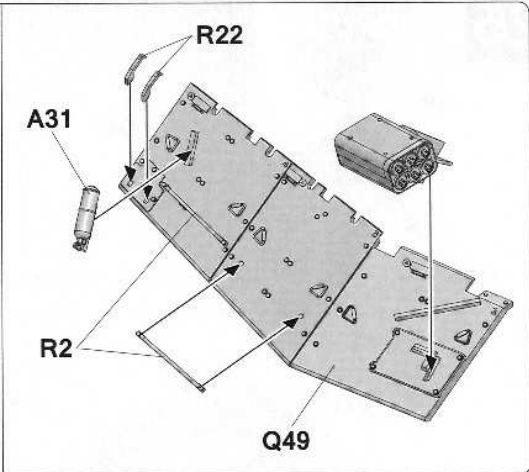
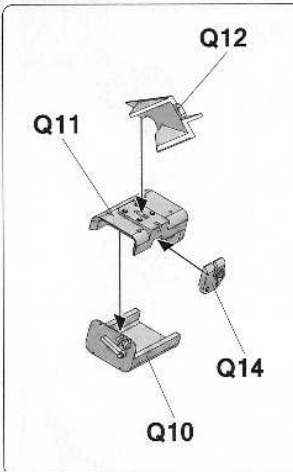




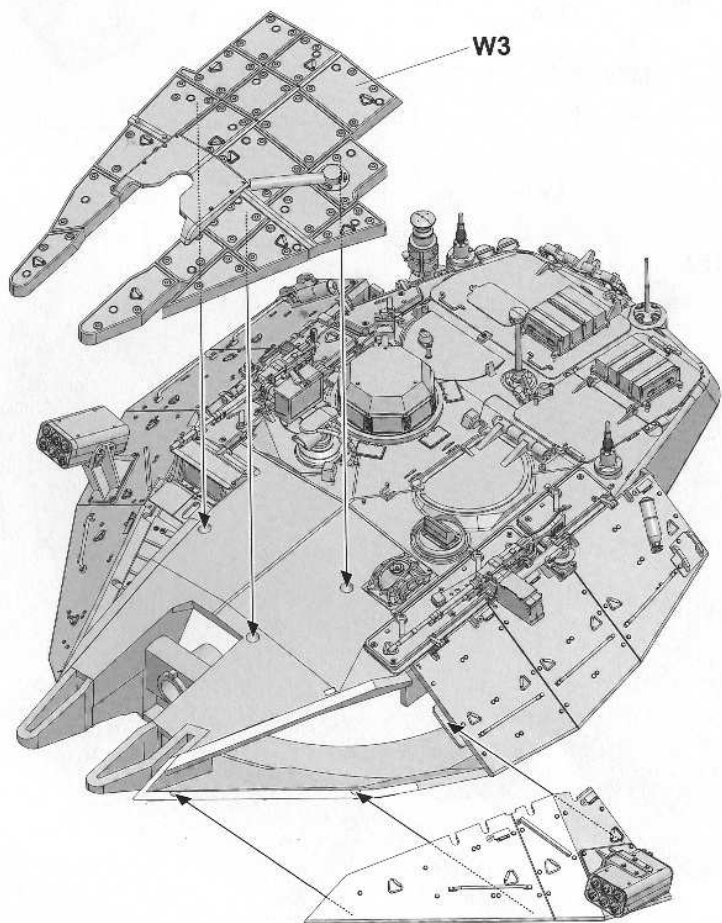
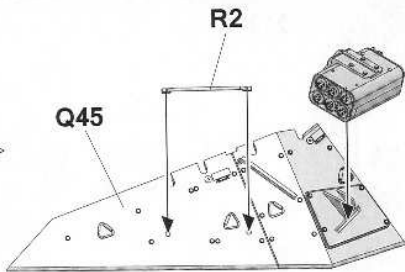
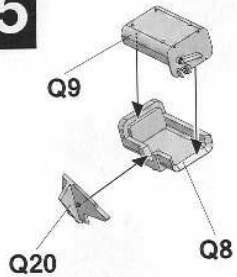
23



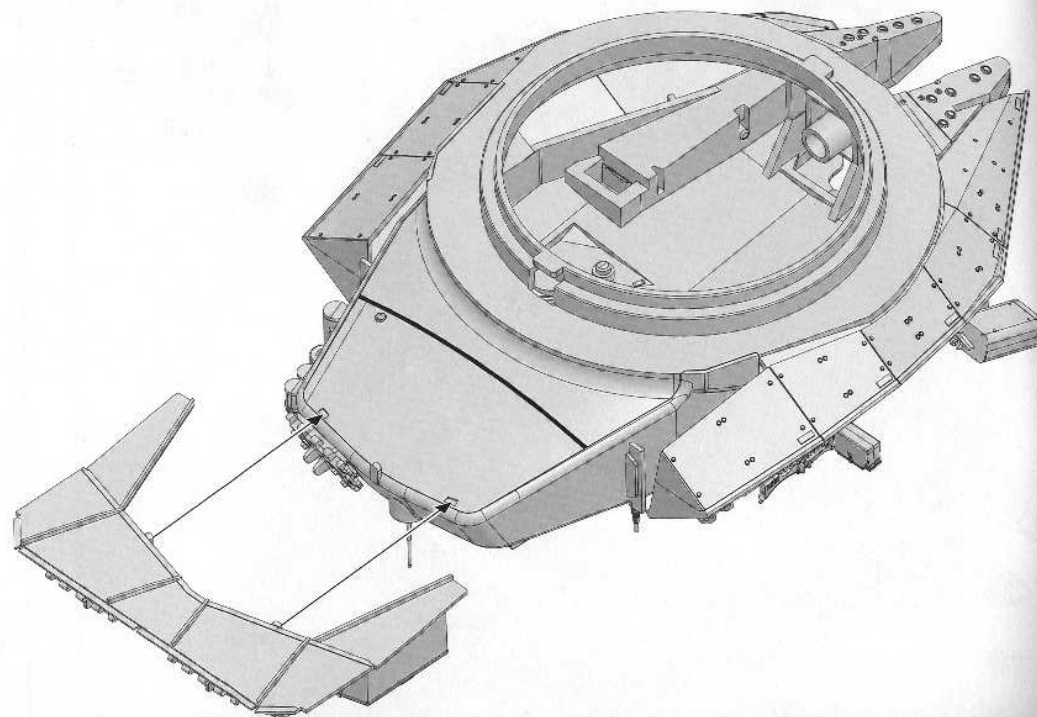
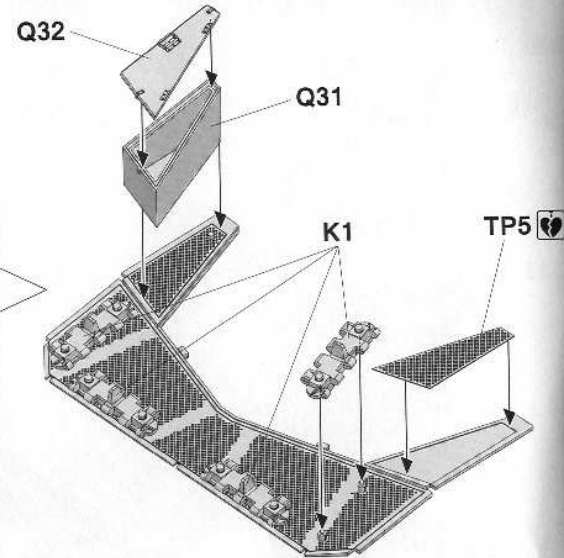
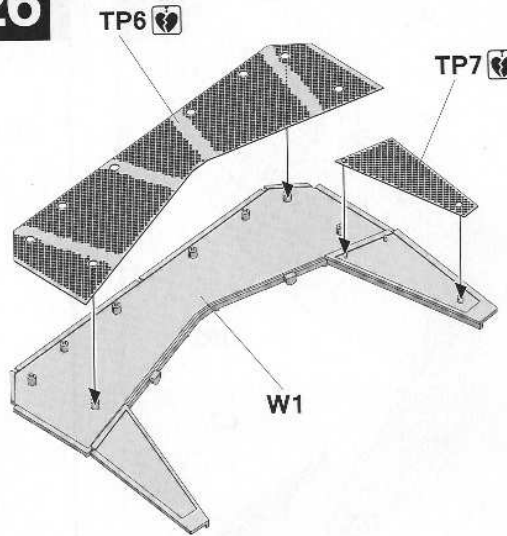
24



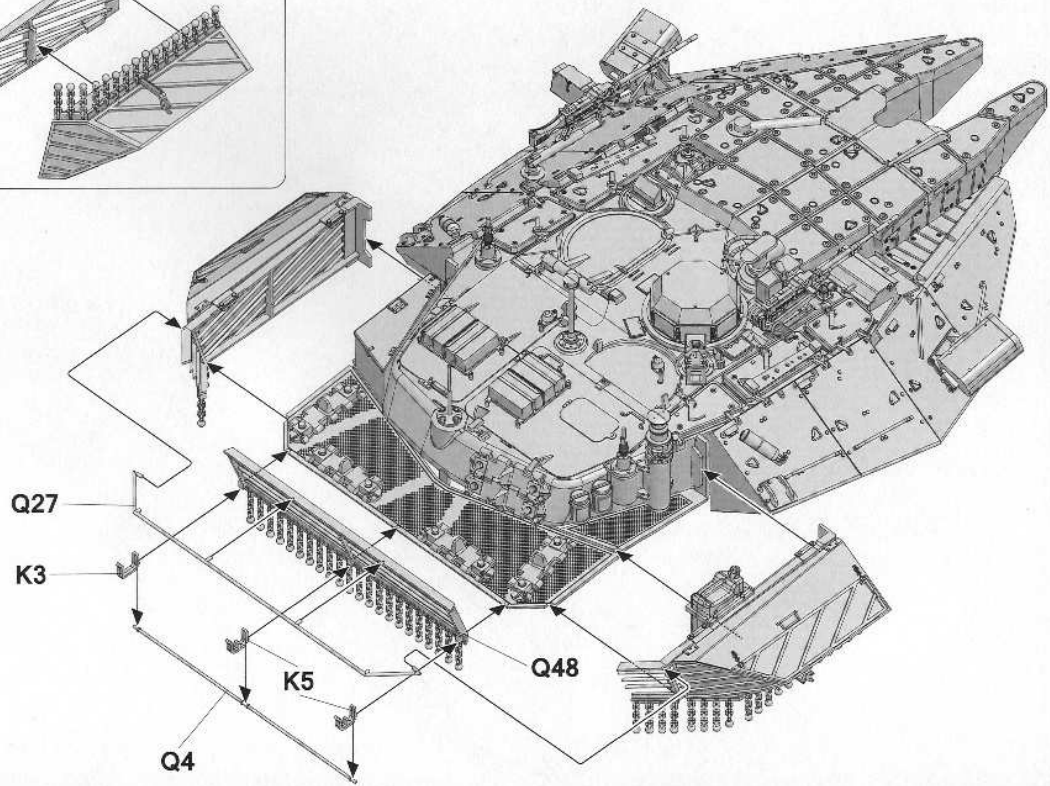
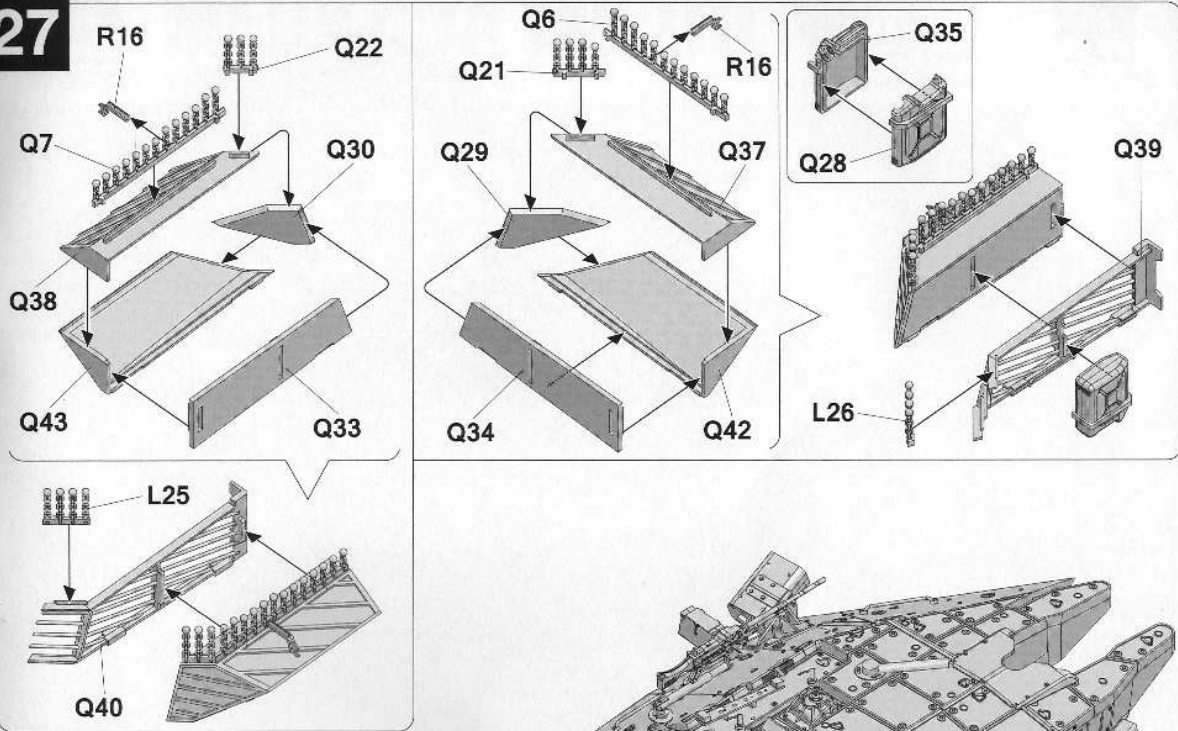
25



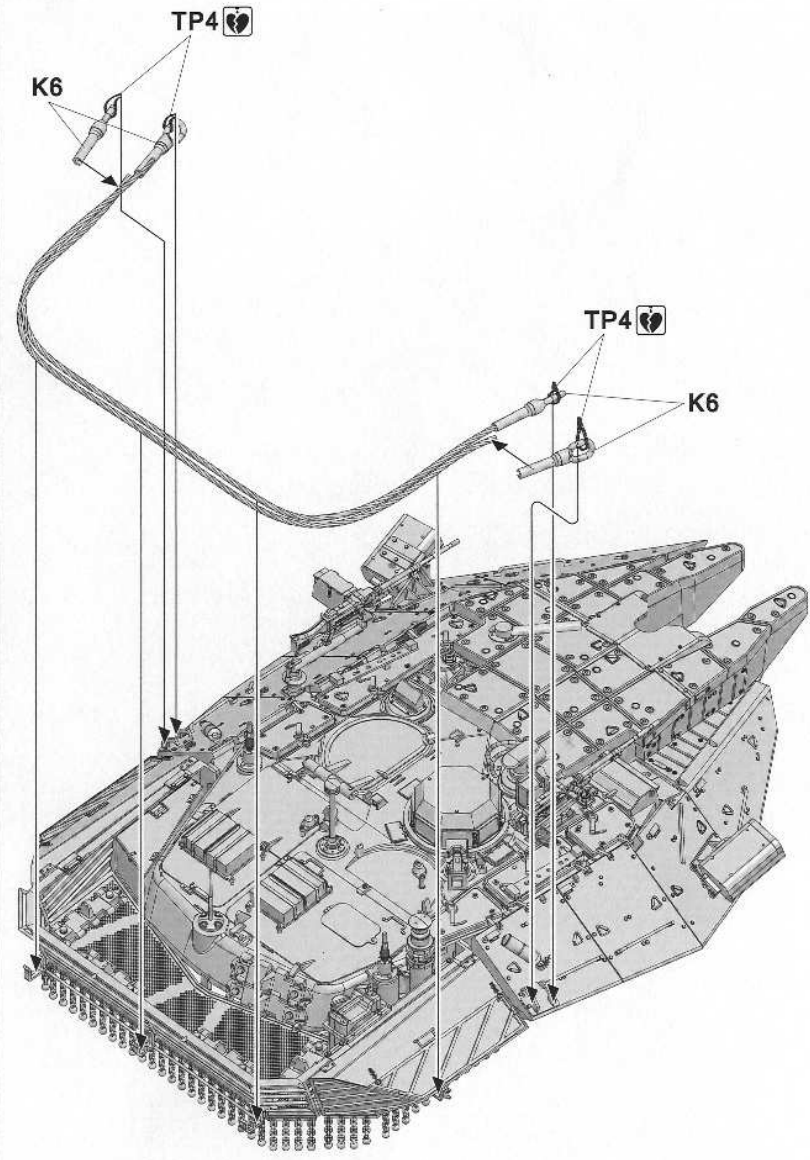
26



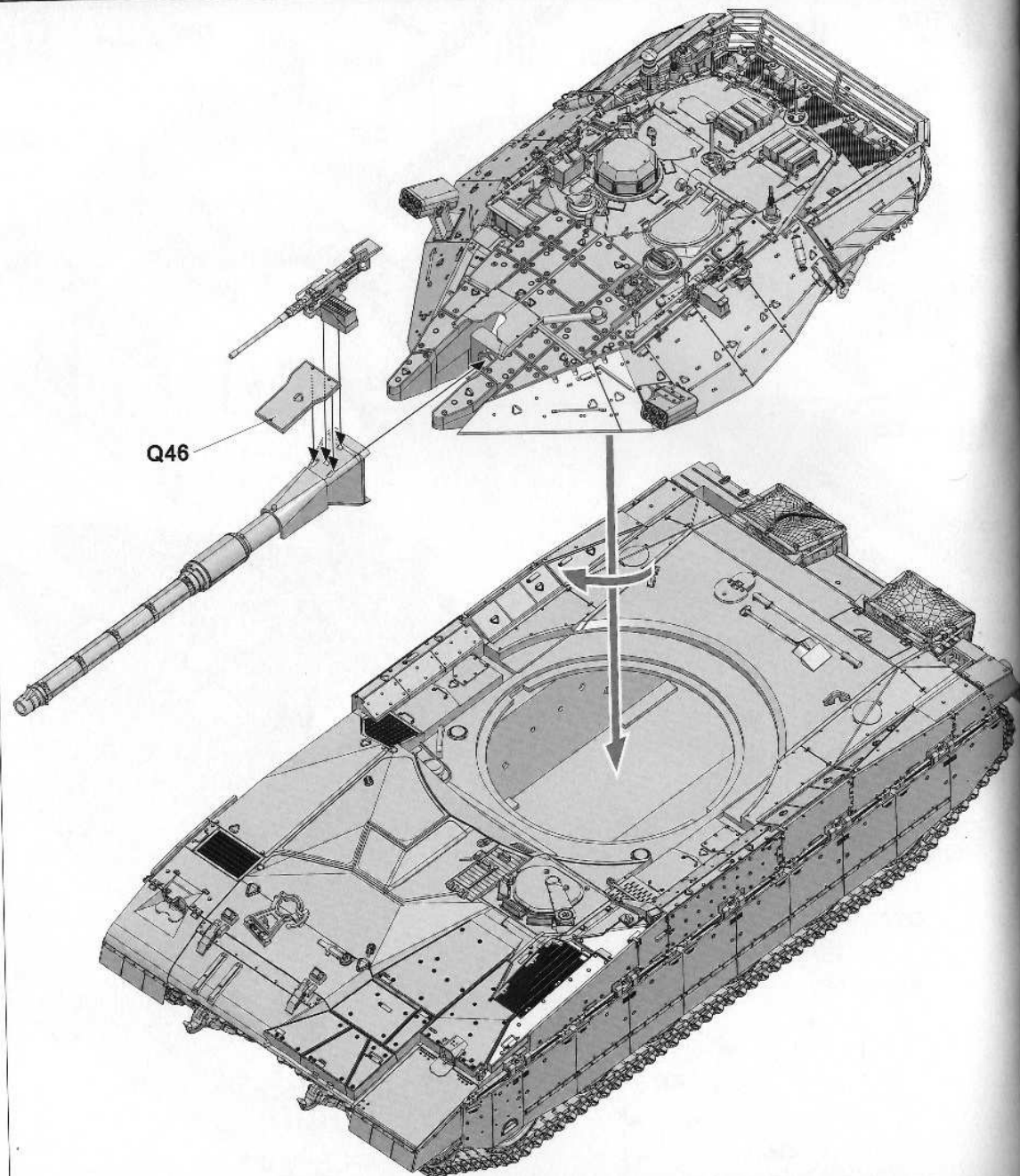
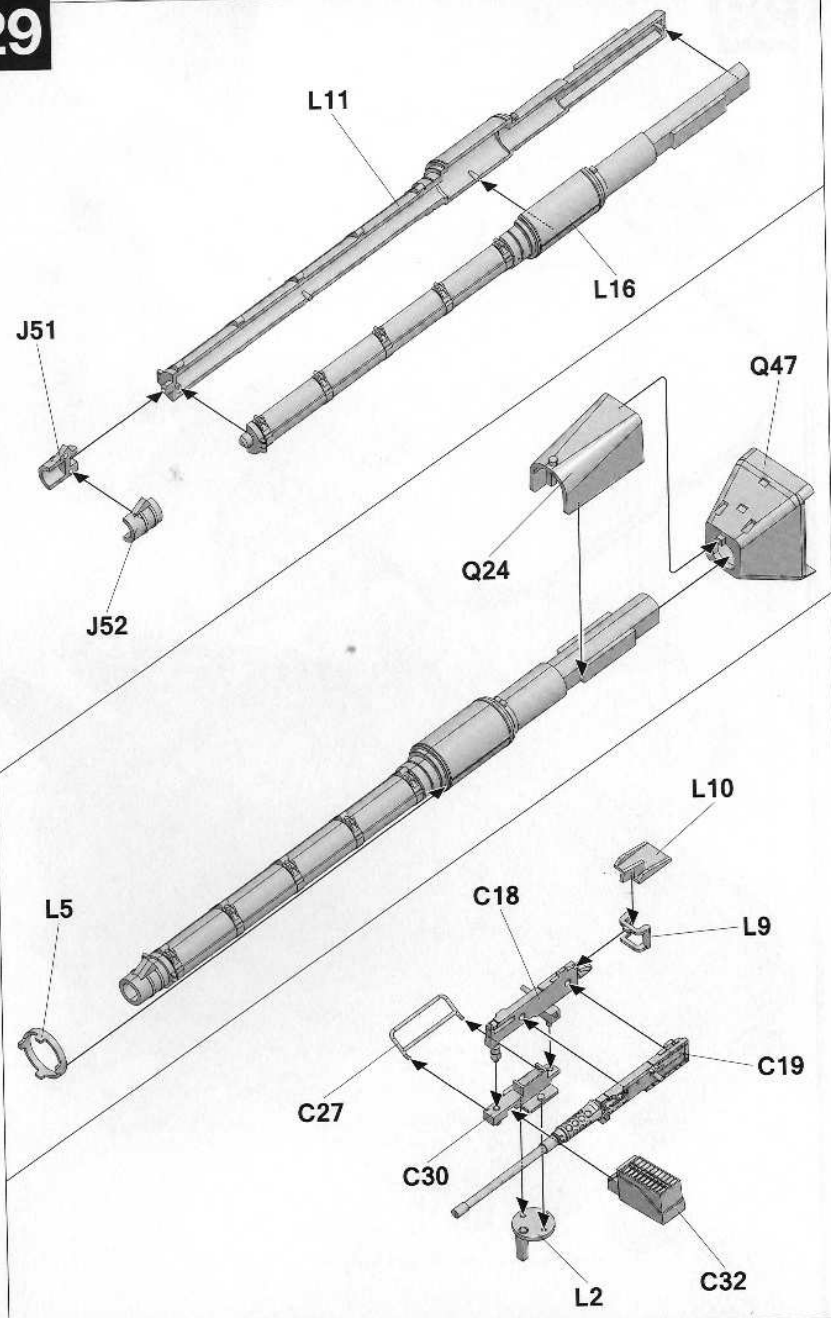
27



28













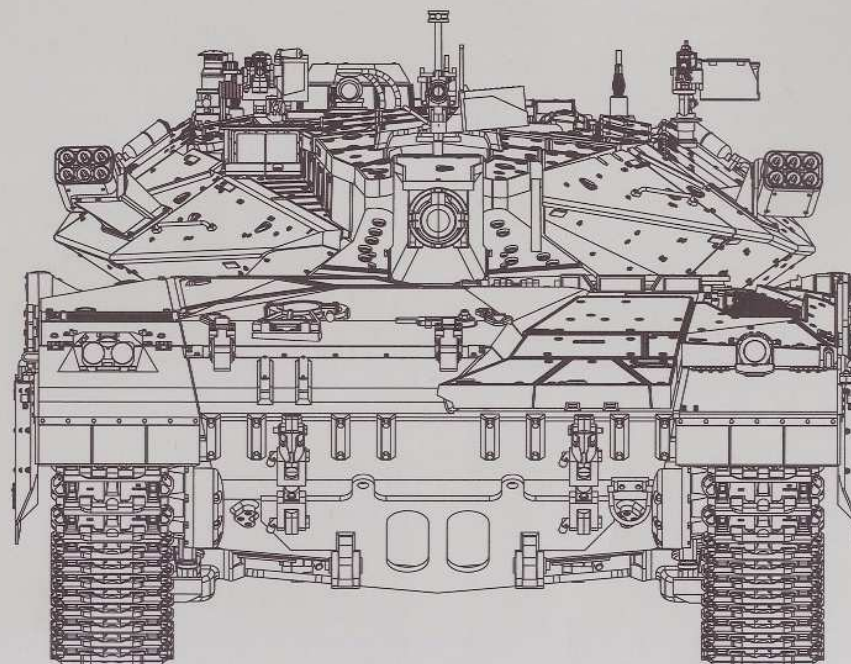








2020/2133



You can find TAKOM on Facebook.com