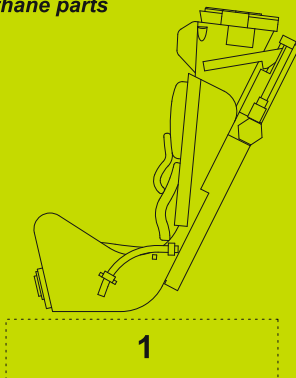


**Q48 357** **Hawker Hunter**  
**1/48** **ejection seat (M.B. Mk.2)**

for Airfix kit

**PUR - Polyurethane parts**



© Special Hobby 2019

Díly ohnuté popř. pokroucené vlivem teplotních změn a stárnutí materiálu, mohou být narovnaný do požadovaného tvaru pomocí proudu teplé vody nebo vzduchu (fén na vlasy).

*Parts slightly distorted and bent owing to temperature changes or due to material ageing can be straightened to requested shape by hot water or hot air jet. (hair dryer)*

*This process can be repeated till result is entirely satisfactory.*

K lepení použít kyanoakrylátové lepidlo!

*Use cyanoacrylate (super) glue!*

Kontaktní plochy doporučujeme před lepením odmastit.

*It is recommended to ungrease the mating surfaces before assembly.*

**Visit our official website and e-shop at**

**www.cmkkits.com**

**www.specialhobby.eu**



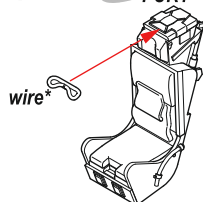
*Other 1/72 Sets*

- 4392 Hawker Hunter F.6 Wheels for Airfix kit
- 4388 Hawker Hunter F.6 Undercarriage set for Airfix kit
- 4387 Hawker Hunter F.6 Cockpit for Airfix kit
- 4351 BAC Lightning F2A/F6 Electronics set for Airfix kit
- 4350 BAC Lightning F2/F2A/F3/F6 Cockpit set for Airfix kit
- 4349 BAC Lightning F2A/F6 Control Surface set for Airfix kit
- 4348 BAC Lightning F2A/F6 1/48 Engine set for Airfix kit
- 4347 BAC Lightning F1/F1A 1/48 Cockpit set for Airfix kit
- 4346 BAC Lightning F1/F1A/F2/F3 Control Surface set for Airfix kit
- 4345 BAC Lightning Main Undercarriage Bay set for Airfix kit
- 4344 BAC Lightning Front Undercarriage Bay set for Airfix kit

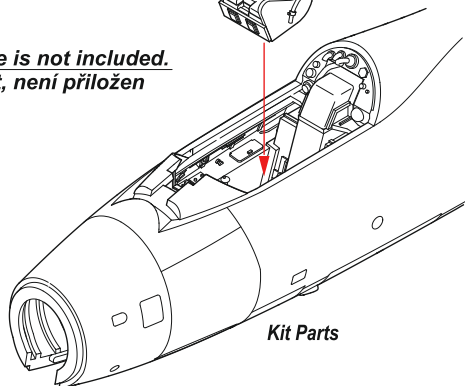
Special Hobby, Mezilesí 718, CZ - Praha 9, 193 00, Czech Republic  
e-mail: office@specialhobby.eu

www.specialhobby.eu

**PUR1**



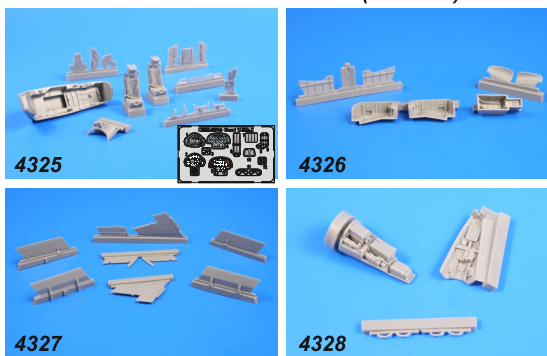
**\* Wire is not included.**  
**Drát, není přiložen**



**SPECIAL HOBBY OFFER**

**1/48 CMK RESIN SETS**

**FOR FOLLAND GNAT T.1 (Airfix kit)**



**4325 Folland Gnat T.1 – Interior set**

**4326 Folland Gnat T.1 – Undercarriage set**

**4327 Folland Gnat T.1 – Control surface set**

**4328 Folland Gnat T.1 – Nose Electronics box**