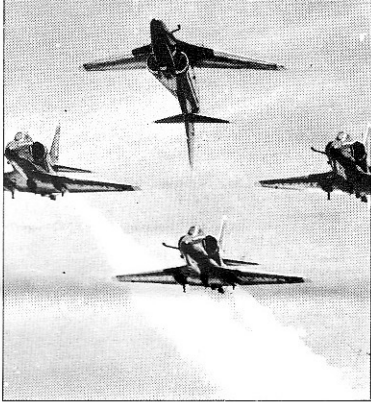


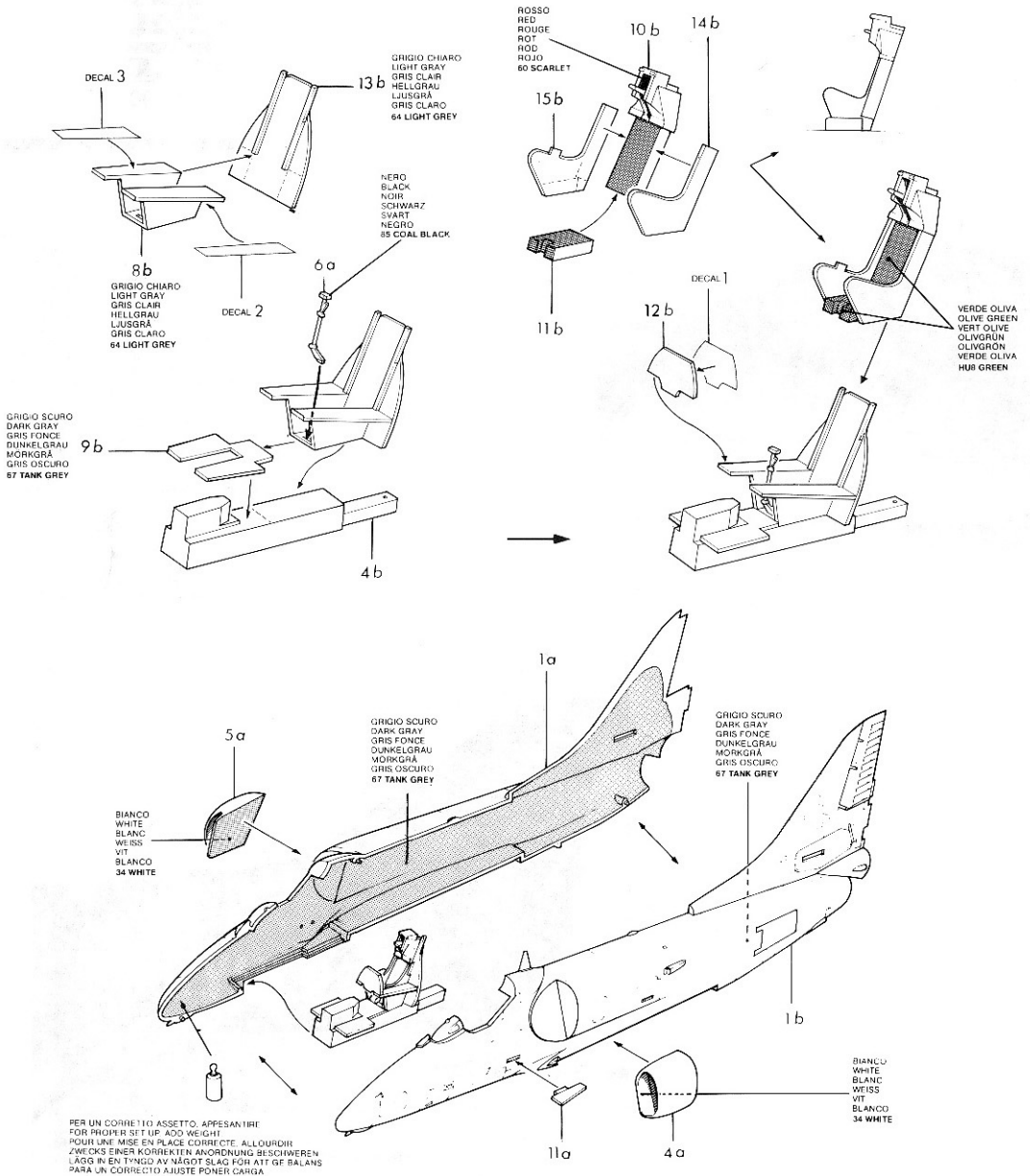
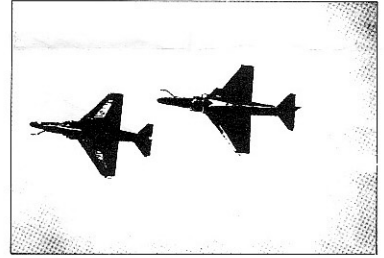
# A-4E BLUE ANGELS

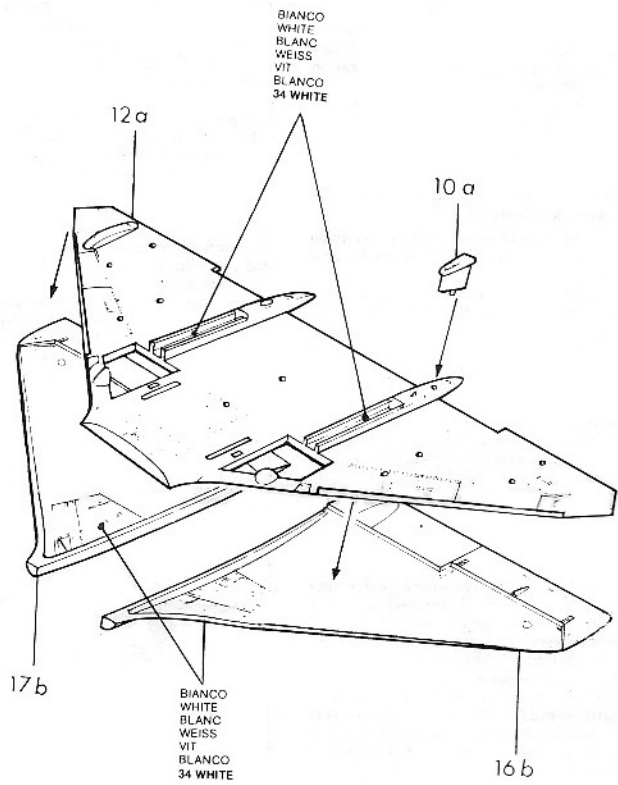
1/72 SCALE

art.9010  
MADE IN U.S.A.



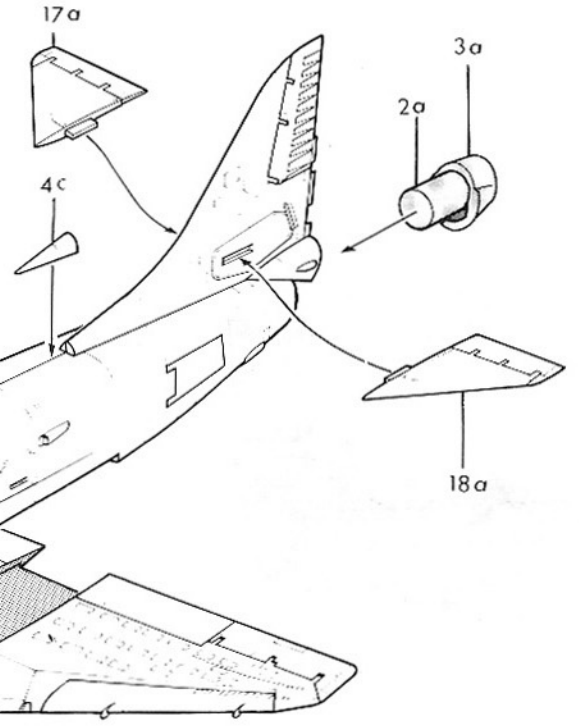
The Skyhawk designed in 1952 by Ed Heinemann, chief Designer at Douglas, has often been used as a good example of airplane design. Conceived during the Korean war as a subsonic fighter bomber for the U.S. Navy, it proved to be an exceptionally sturdy well armed light plane (5-11 tons) and indeed its validity is proved by the fact that it was kept in production for over twenty years. The prototype, which first flew on June 22 1954 (piloted by Bob Rahn) was followed by the first mass produced version known initially as A4D-1 and then an A-4A. The <<second generation>> Skyhawk (nicknamed <<Scooter>> because of its size) was the A4D-5 or A-4E, nicknamed <<Mighty Mite>> and was characterized by a considerable improvement in the performance and in the armament. In this version the thrust of the engine increased 362 kgs and the wing was given two new connection points for the armament; the visibility longer nose had room also for a Doppler radar and an altimeter device which gave the plane good all weather navigation possibilities. It was also possible to increase the speed and to improve range by 27% after a general revision of the design. The first A-4E, took off on July 12, 1961 and at the end of the next year started operating with the VA-23 Black Knights Squadron of the U.S. Navy. Later on, immediately before the merger with the McDonnell, Douglas worked out a new version; the A-4F, characterized by a further increase in the thrust, which made it possible to increase the speed and gave a higher <<load capacity>> (zero-zero ejection seat, wing spoilers and dorsal avionics hump for the new communications and navigation systems). This latter version first flew on August 31, 1966 and went into operation on June 20, 1967. Soon the A-4Es, for standardization purposes, also began to have the back fairing for the electronics units; both versions took a part in the Vietnam war.



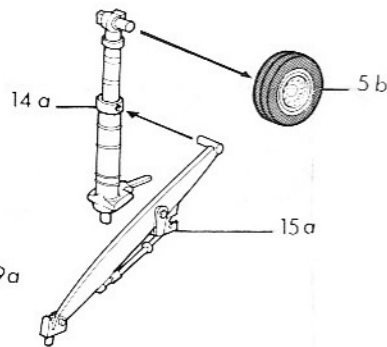
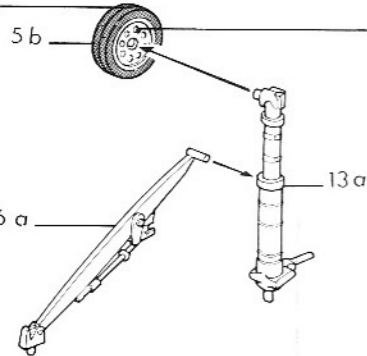


\* 2-3a

METALLO BRUNITO  
BURNISHED METAL  
METAL BRUNI  
BRÜNIERTER METAL  
OXIDERAD METALL  
METAL BRUNIDO



NERO  
BLACK  
NOIR  
SCHWARZ  
SVART  
NEGRO  
85 COAL BLACK



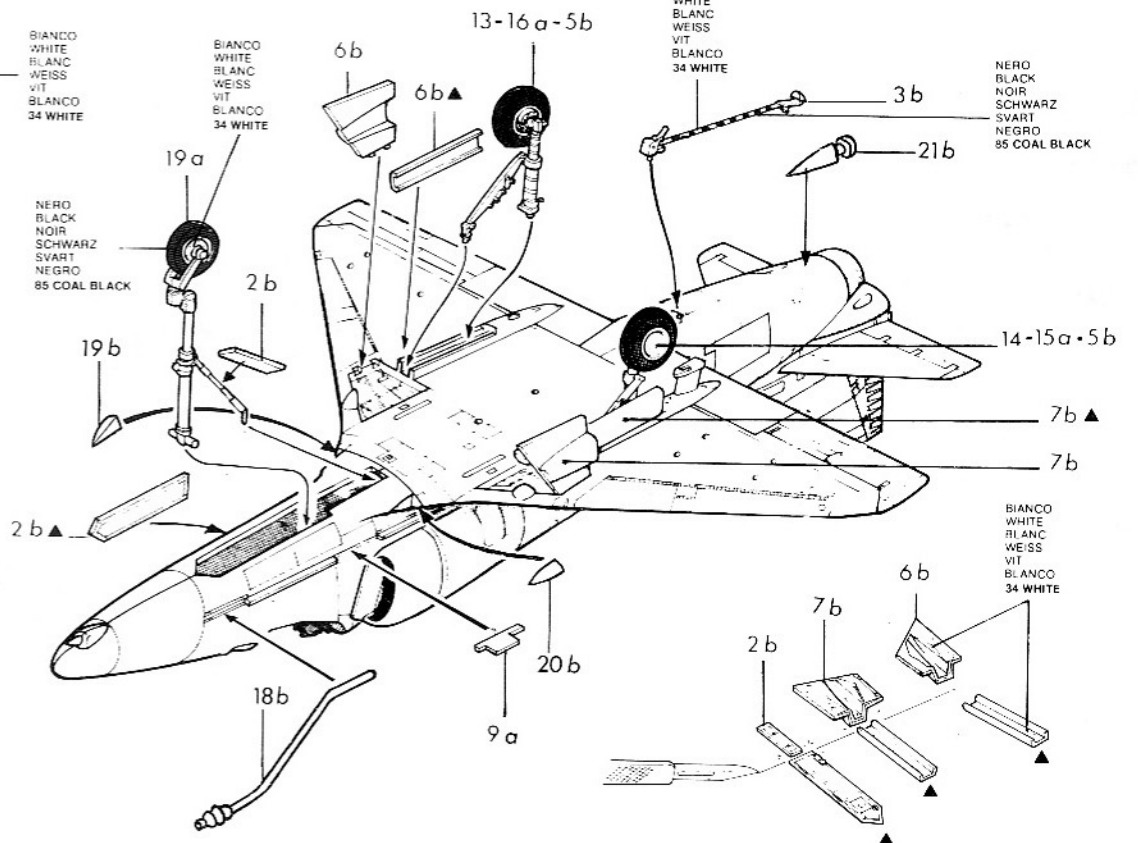
\* 13-14-15-16-19a

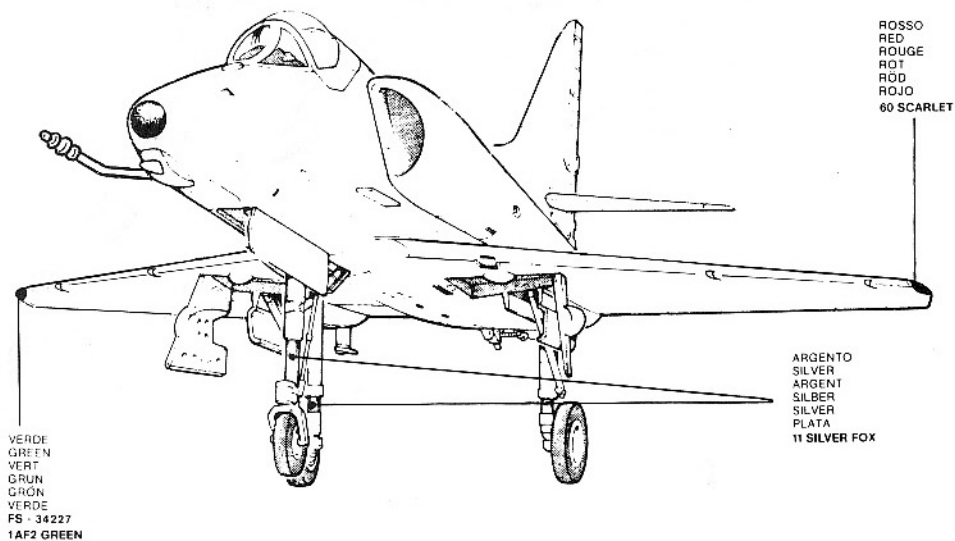
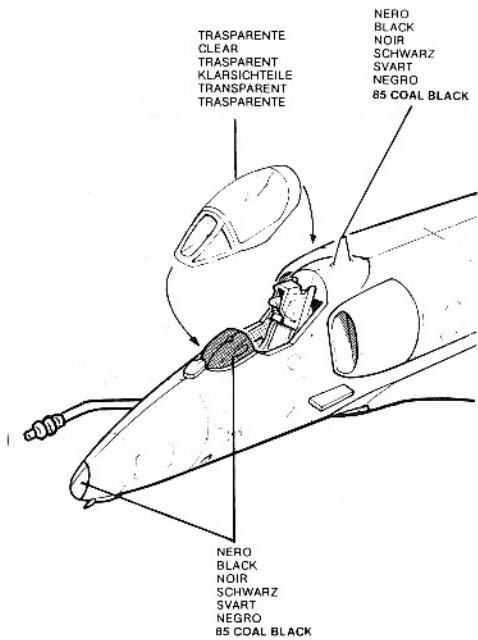
BIANCO  
WHITE  
BLANC  
WEISS  
VIT  
BLANCO  
34 WHITE

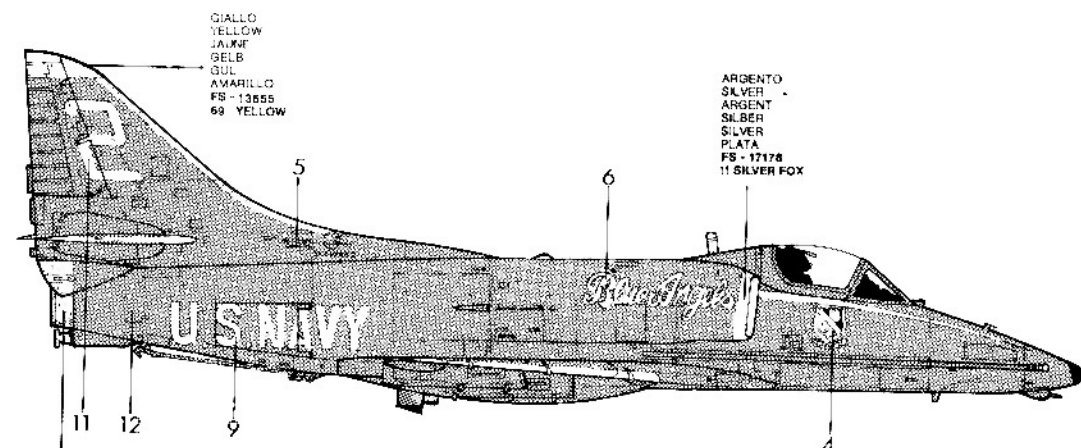
BIANCO  
WHITE  
BLANC  
WEISS  
VIT  
BLANCO  
34 WHITE

BIANCO  
WHITE  
BLANC  
WEISS  
VIT  
BLANCO  
34 WHITE

NERO  
BLACK  
NOIR  
SCHWARZ  
SVART  
NEGRO  
85 COAL BLACK



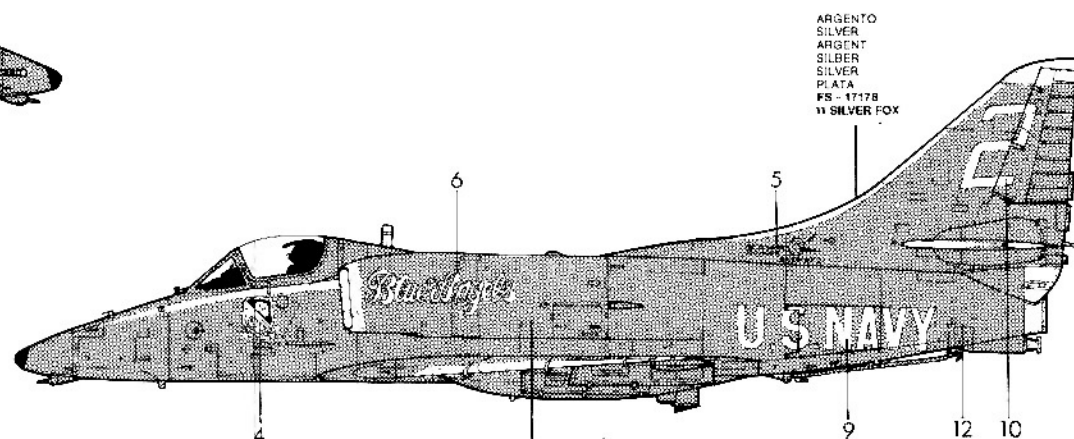




METALLO BRUNITO  
BURNISHED METAL  
METAL BRUNI  
BRÜNIERTER METAL  
OXIDERAD METALL  
METAL BRUNIDO  
FS - 17178  
56 ALUMINUM

GIALLO  
YELLOW  
JAUNE  
GELB  
GUL  
AMARILLO  
FS - 13655  
69 YELLOW

ARGENTO  
SILVER  
ARGENT  
SILBER  
SILBER  
PLATA  
FS - 17178  
11 SILVER FOX

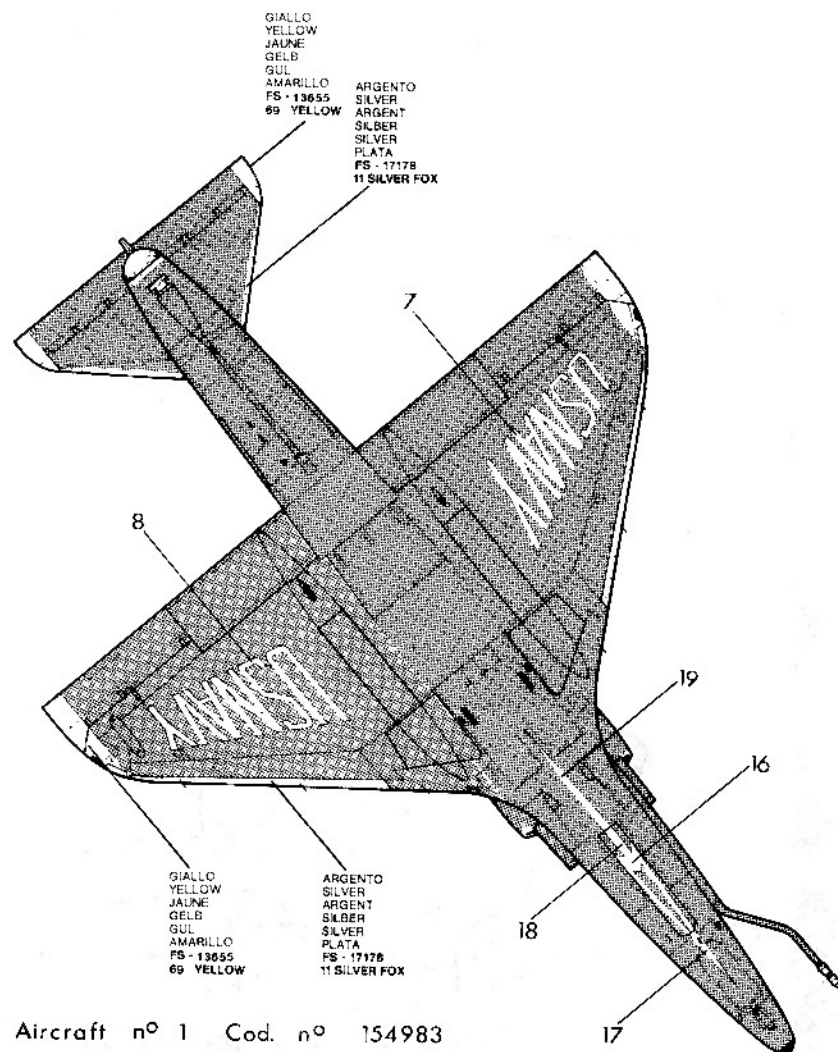


ARGENTO  
SILVER  
ARGENT  
SILBER  
SILBER  
PLATA  
FS - 17178  
11 SILVER FOX

80% BLU SCURO  
DARK BLUE  
BLEU FONCE  
DUNKELBLAU  
MORKEBLAU  
AZUL OSCURO  
FS - 15042  
HB9 SEA BLUE GLOSSY

+

20% AZZURRO  
BLUE  
BLEU  
BLAU  
AZUL  
FS - 15450  
47 SEA BLUE

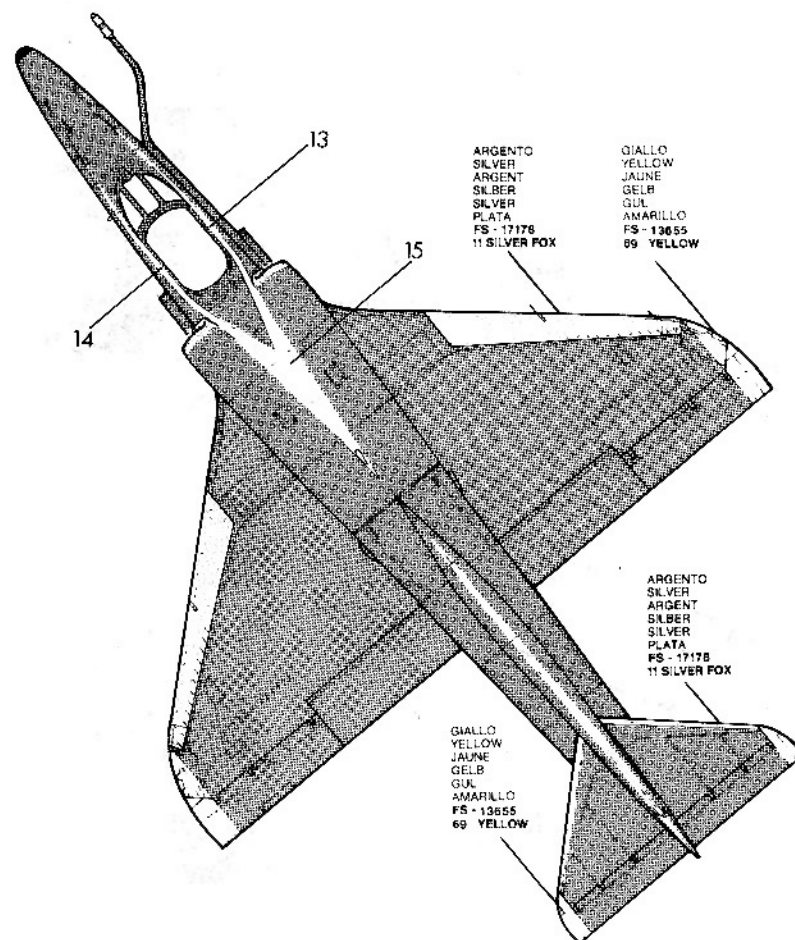


GIALLO  
YELLOW  
JAUNE  
GELB  
GUL  
AMARILLO  
FS - 13655  
69 YELLOW

ARGENTO  
SILVER  
ARGENT  
SILBER  
SILBER  
PLATA  
FS - 17178  
11 SILVER FOX

GIALLO  
YELLOW  
JAUNE  
GELB  
GUL  
AMARILLO  
FS - 13655  
69 YELLOW

ARGENTO  
SILVER  
ARGENT  
SILBER  
SILBER  
PLATA  
FS - 17178  
11 SILVER FOX



ARGENTO  
SILVER  
ARGENT  
SILBER  
SILBER  
PLATA  
FS - 17178  
11 SILVER FOX

GIALLO  
YELLOW  
JAUNE  
GELB  
GUL  
AMARILLO  
FS - 13655  
69 YELLOW

ARGENTO  
SILVER  
ARGENT  
SILBER  
SILBER  
PLATA  
FS - 17178  
11 SILVER FOX

GIALLO  
YELLOW  
JAUNE  
GELB  
GUL  
AMARILLO  
FS - 13655  
69 YELLOW

Aircraft n°	Cod. n°	
1		154983
"	2	154177
"	3	154176
"	4	154179
"	5	154984
"	6	154986

18

Blue Angels 6 Blue Angels



4



15

17

19

7

U.S. NAVY 1 U.S. NAVY 8



16

3

1 2 3 4 5 6 10



1 2 3 4 5 6 11



12

2

154983 154983 154179 154179

154177 154177 154984 154984

154176 154176 154986 154986

9 U.S. NAVY U.S. NAVY



5



13

14

MADE IN ITALY

ART. 9010 A4E "Blue Angels"

NON TOXIC PRINTED BY G. DECAL (BO) ITALY

FEBRUARY 1992





**USNAVY**

**1 2 3 4 5 6**

®



®



©

*Blue Angels*

155029

155029

**U.S. NAVY**



154975

154975

154986

154986



**U.S. NAVY**



154176

154176

154983

154983



**USNAVY**

**1 2 3 4 5 6**

®



®



©

*Blue Angels*

154173

154173