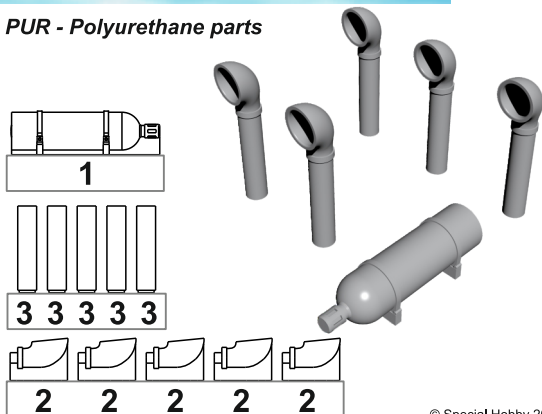


www.facebook.com/specialhobby/

N72036 PT-109 Boat Deck Set
1/72 (Smoke Generator, Ventilation Funnels)
for Revell kit



PUR - Polyurethane parts



© Special Hobby 2019

Díly ohnuté popř. pokroucené vlivem teplotních změn a stárnutí materiálu, mohou být narovnány do požadovaného tvaru pomocí proudu teplé vody nebo vzduchu (fén na vlasy).

Parts slightly distorted and bent owing to temperature changes or due to material ageing can be straightened to requested shape by hot water or hot air jet. (hair dryer)

This process can be repeated till result is entirely satisfactory.

K lepení použít kyanoakrylátové lepidlo!

Use cyanoacrylate (super) glue!

Kontaktní plochy doporučujeme před lepením odmastit.

It is recommended to ungrease the mating surfaces before assembly.

Visit our official website and e-shop at
www.cmkkits.com
www.specialhobby.eu

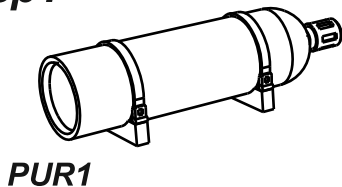


Other 1/72 Navy Series Sets

- N72023 U-Boot IX Flak-Vierling Conversion
- N72024 U-Boot IX Electric Motor section
- N72025 WW II German Torpedo Type G7e (3 pcs)
- N72026 WW II German Torpedo Type G7a (3 pcs)
- N72027 Diesel Engine MAN M9V46 for U IXC
- N72028 U-Boot IX Bow Torpedo w/Loading Winch and Cart
- N72029 U-Boot IX Stern Torpedo w/ Loading Winch and Cart
- N72033 PT-109 Boat Life Raft
- N72034 PT-109 Torpedo Tube Breech Door Set (4pcs)
- N72035 PT-109 Boat Mk.6 Depth Charges (2pcs)

Special Hobby, Mezilesí 718, CZ - Praha 9, 19300, Czech Republic
e-mail: office@specialhobby.eu

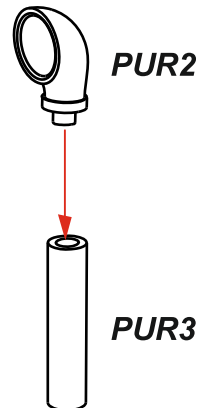
Step1



PUR1

Díl PUR1, po očištění od nálitků, nahrazuje díly stavebnice.
PUR1, after removing the pour stub, directly replaces the kit part.

Step2
5x



PUR3

Sestava ventilátorů nahrazuje díly stavebnice.
The funnels assembly replaces original kit parts.