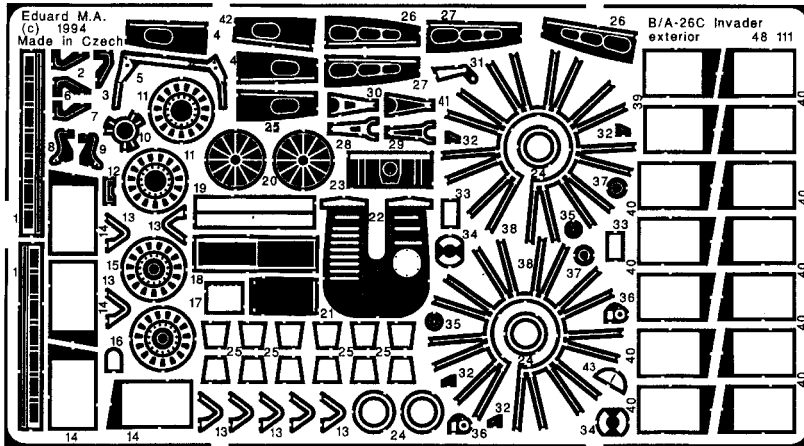







# A/B-26C Invader -exterior

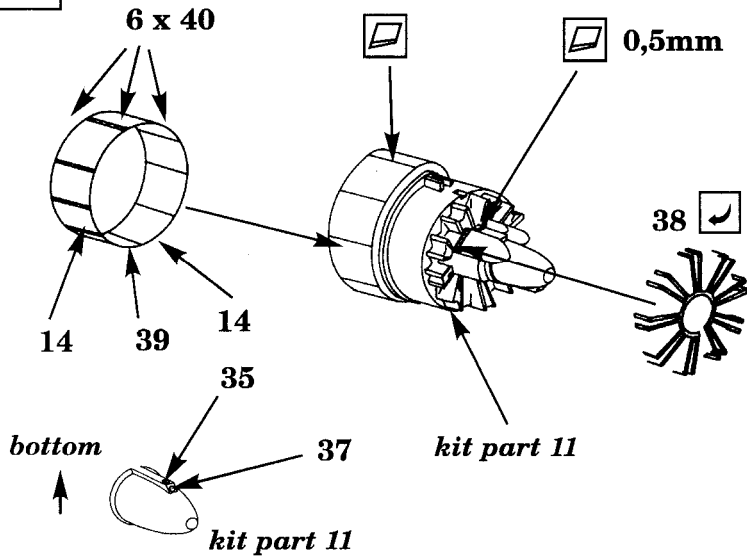
1/48 scale detail set for Monogram kit

48 111

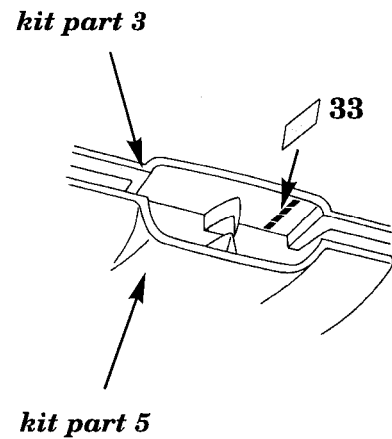


-  OPPOSITE SIDE
-  REMOVE
-  BEND

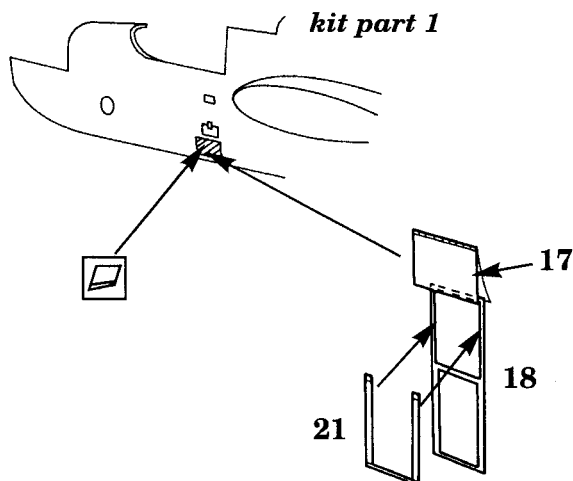
## A ENGINE ASSEMBLY



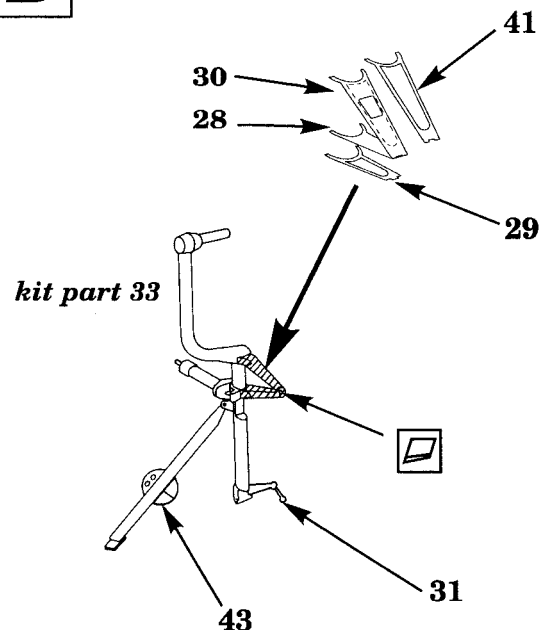
## B RADIATOR INTAKE



## C BOARDING LADDER

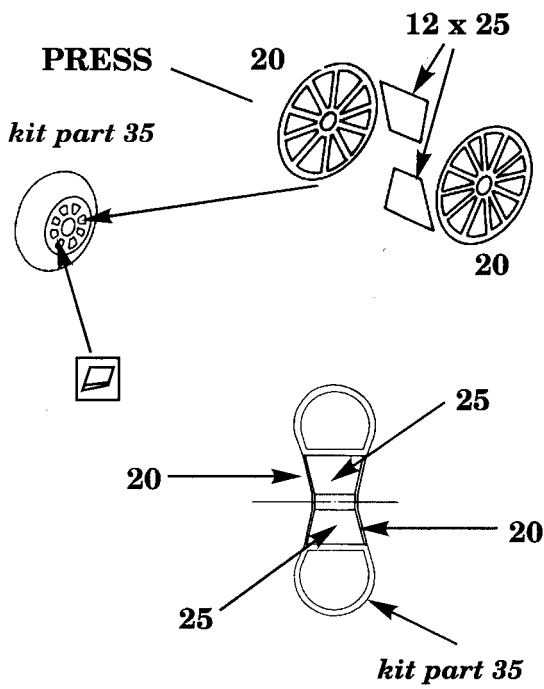


## D NOSE STRUT

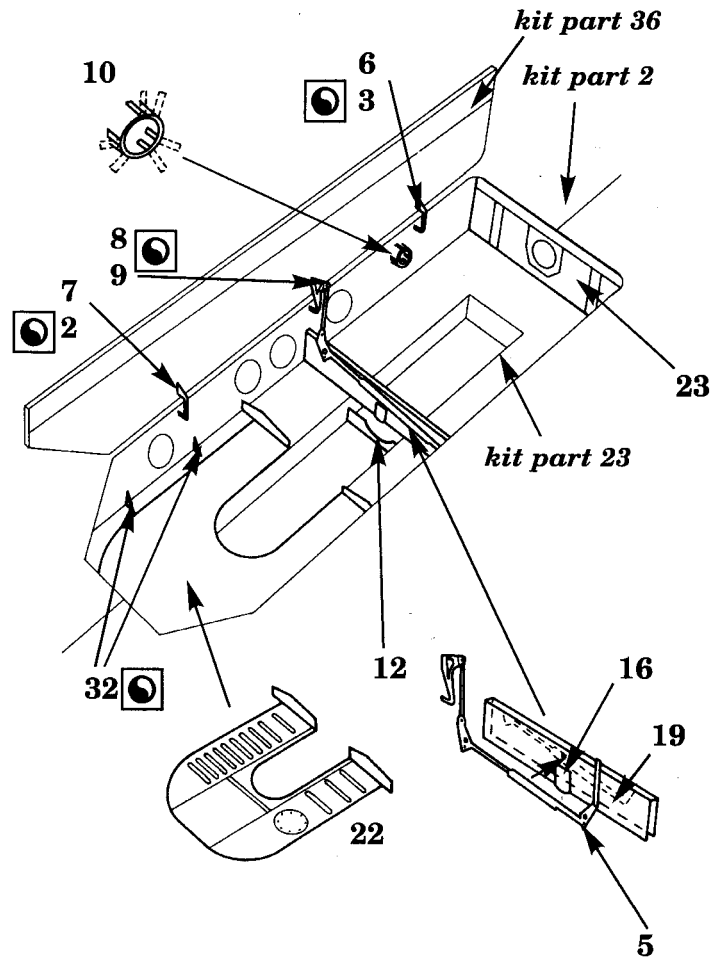


### E NOSE WHEEL

*For late version only*

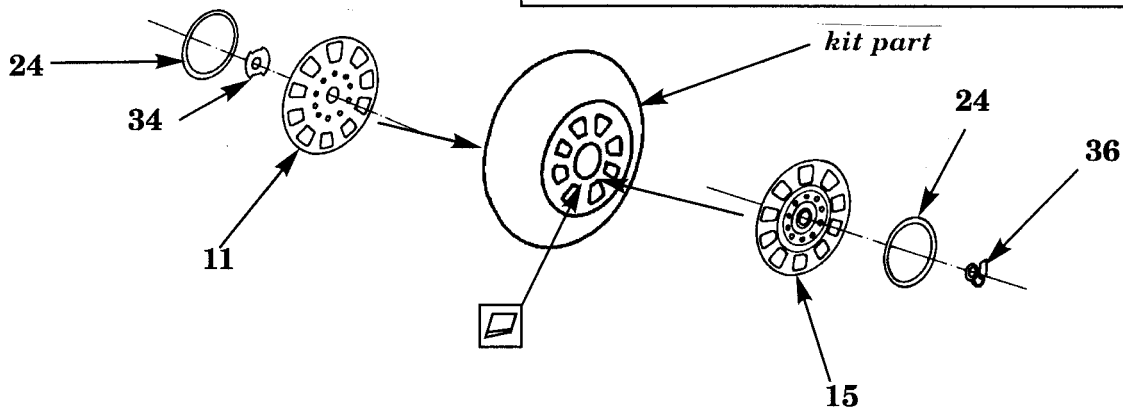


### F NOSE UNDERCARRIAGE WELL



### G MAIN WHEEL

*For late version only*



### H MAIN WHEEL

