

M1120 HEMTT Load Handling System(LHS)

M1120重型高机动战术卡车物资承载系统

READ BEFORE ASSEMBLY:

- This kit is not recommended for inexperienced modelers or for children under 14 years of age
- Study and understand these instructions thoroughly before beginning assembly
- When needed, remove photo-etch parts carefully using a modeling knife or photo etch sprue cutter, being careful not to damage or lose small parts.
- Take extra care in handling photo etch parts in order to avoid injury
- Apply instant cement sparingly to photo etch parts where instructed

- Tools recommended(not included in kit):Plastic and instant cements,sprue cutters,long nose pliers,modeling knife, small files, tweezers, pin vise & scissors. Soft cloth and sandpaper will also assist in construction
- Glue and paint are not included in the kit. Use plastic cement and hobby paints only. Color guide for purchasing paint is included in the kit.
- Keep out of reach of children. They must not be allowed to ingest small parts or handle plastic bags in any way.

装配之前仔细阅读

- 小心用模型锉刀锉平所有零件表面的注射浇口。
- 小心用刀片切下蚀刻片零件，不要遗失小零件。
- 用强力快干胶水粘合蚀刻片零件和金属轴。过量的快干胶水使用可能导致可动零件会粘住，小心涂胶。
- 取蚀刻片时应特别注意安全，防止利边划伤手指。
- 某些零件表面需贴水贴纸，请选择在装配的同时进行。
- 推荐模型工具(自备)：胶水，水口剪刀，长咀钳，刀片，锉刀，镊子钳，钻，剪刀，瞬间快干胶。
- 软布同砂纸同时也应该是必备工具。
- 请使用塑料胶水和油漆，模型内不含。
- 谨防小孩吸吮塑料零件，或者将塑料袋套在头上，制作时应将套材远离小孩接触。
- 本产品不适合14岁以下没有经验的模型爱好者。

水贴纸的使用:

- 1.从水贴上剪下印花;
- 2.将印花放入温水中浸10秒, 然后放在干净布上。
- 3.拿着印花纸板将印花移到模型上;
- 4.手指蘸水将印花移到适当的位置;
- 5.用软布轻压印花直至水干, 汽泡消失

DECAL APPLICATION

- 1.Cut decals from sheet as needed
- 2.Dip the decal in warm water for about 10 seconds and then place on soft clean cloth.
- 3.Hold the decal backing sheet edge and gently slide the decal onto the model in its proper position.

- 4.While still wet,decal can be adjusted for better fit on model by dampening it gently with your finger.
- 5.When placed in the proper position,gently press decal down with a soft cloth until excess water and air bubbles are gone.
- 6.Allow decal to dry completely before handling model.



配重
Weight



使用强力胶
Cyanoacrylate glue



钻孔
Make hole



切除
Cut / Remove



贴纸
Decal



锉平
File / Sand



选择
Option



不涂胶水
No cement



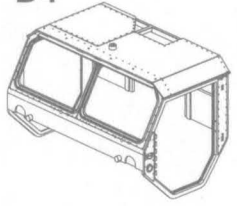
弯曲
Bend



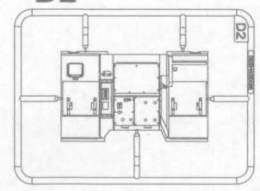
先装
Install it first

部品图
Parts

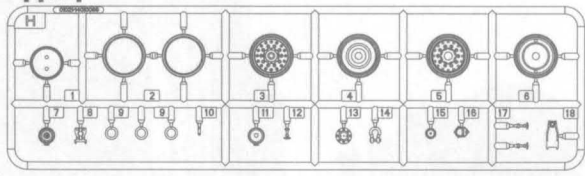
D4



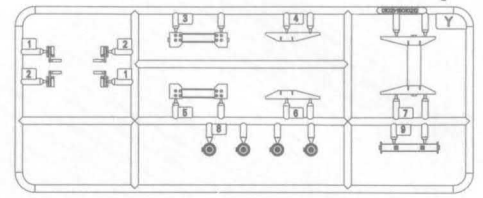
D2



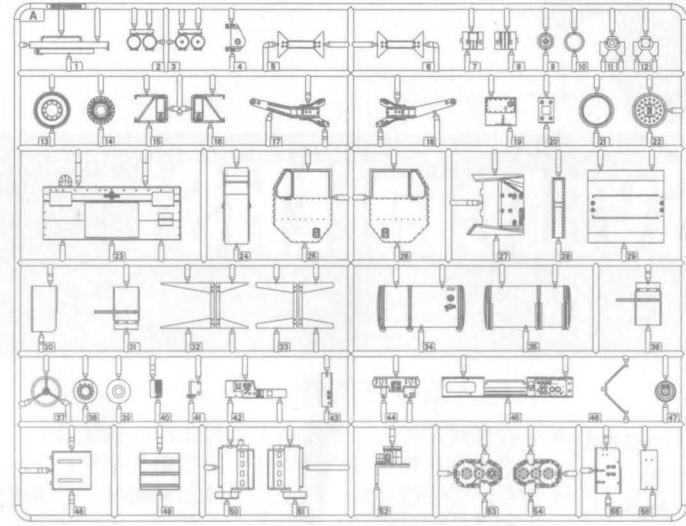
H×4



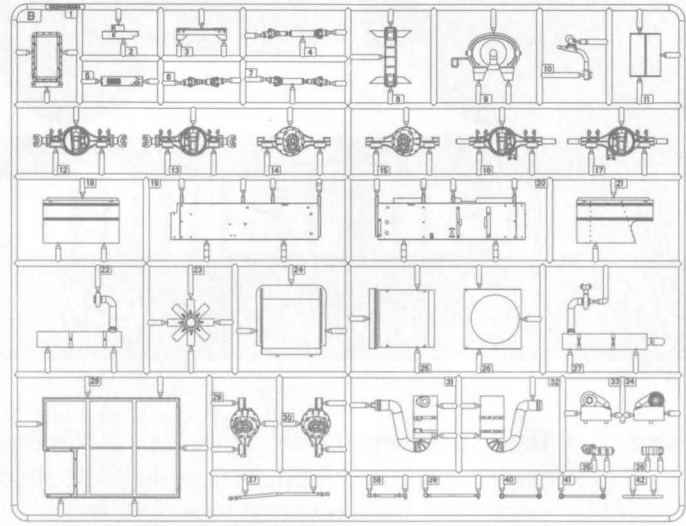
Y



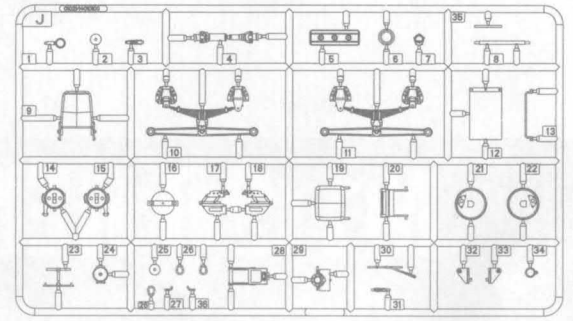
A



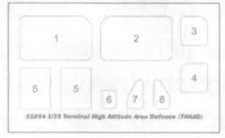
B



J×2



《遮盖纸》
Die-cut mask



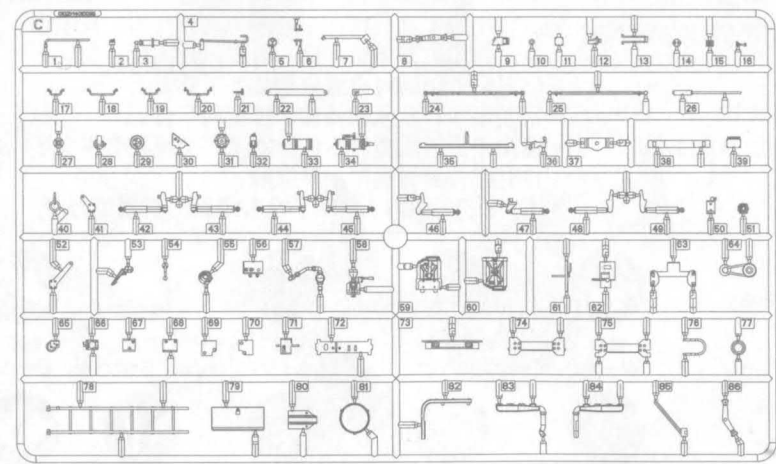
《轮胎》
Tyre ×9



《水贴》
Decal



C



《金属管》

Metal Tube ① Ø3.5x50.8mm



×2

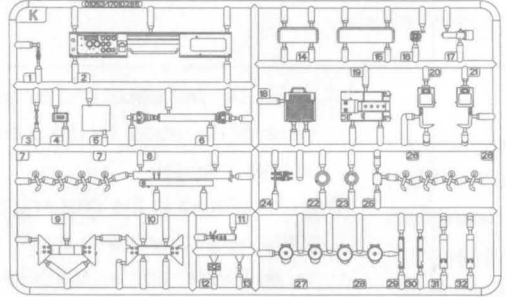
《金属管》

Metal Tube ② Ø3.5x29mm

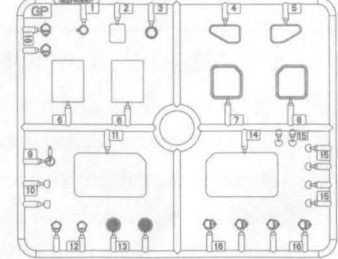


×2

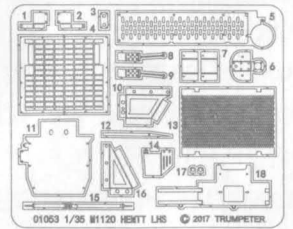
K



GP

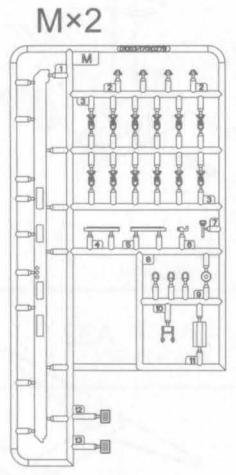
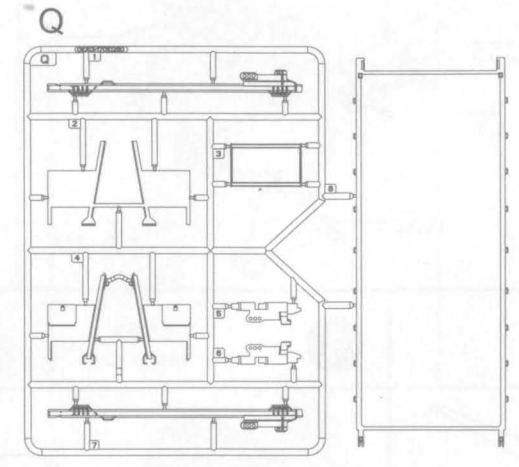
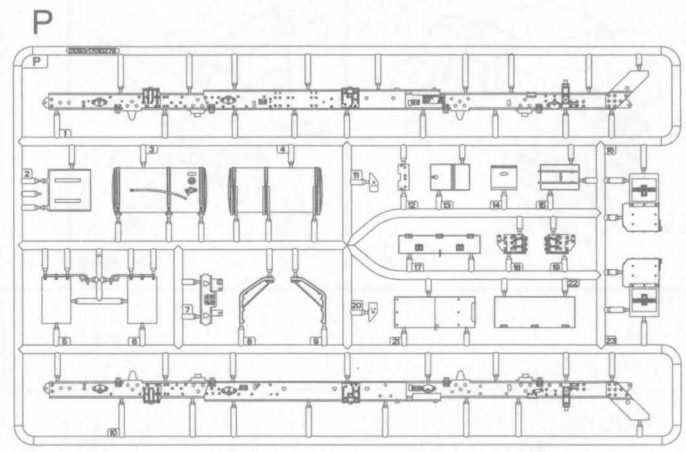
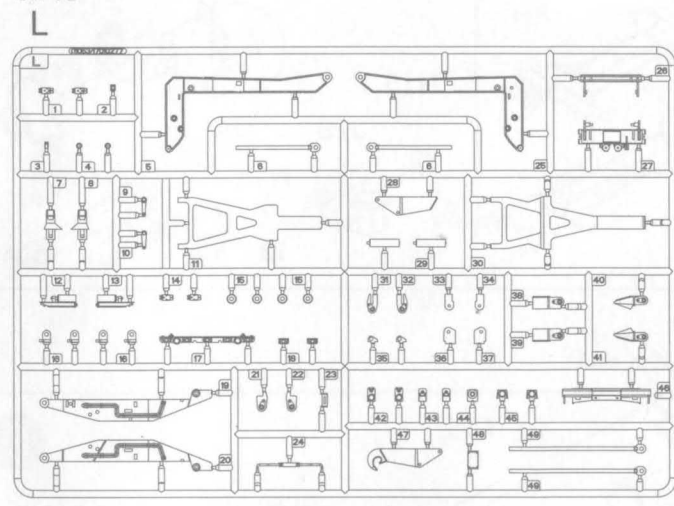


《蚀刻片》
PE



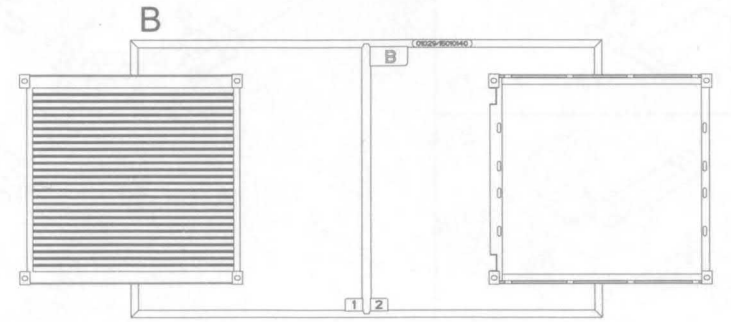
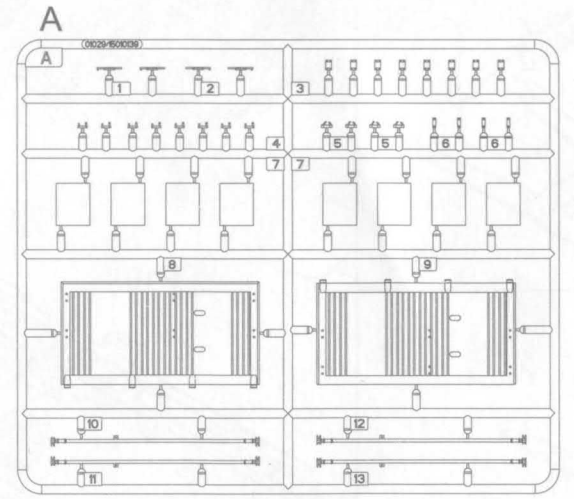
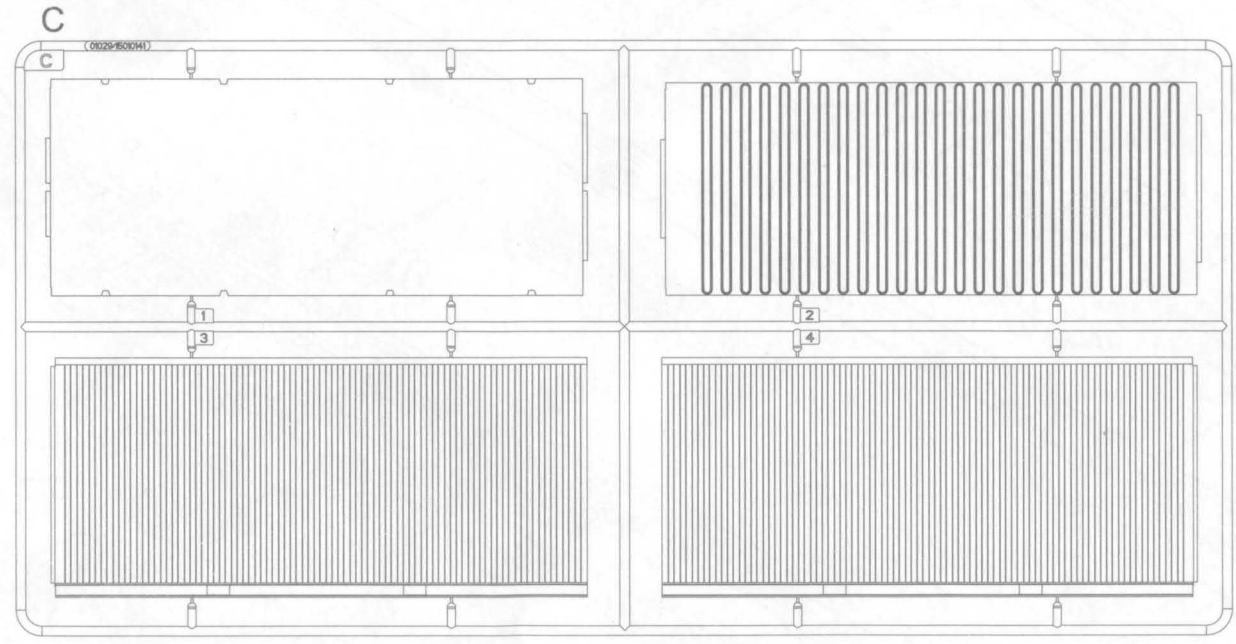
部品图

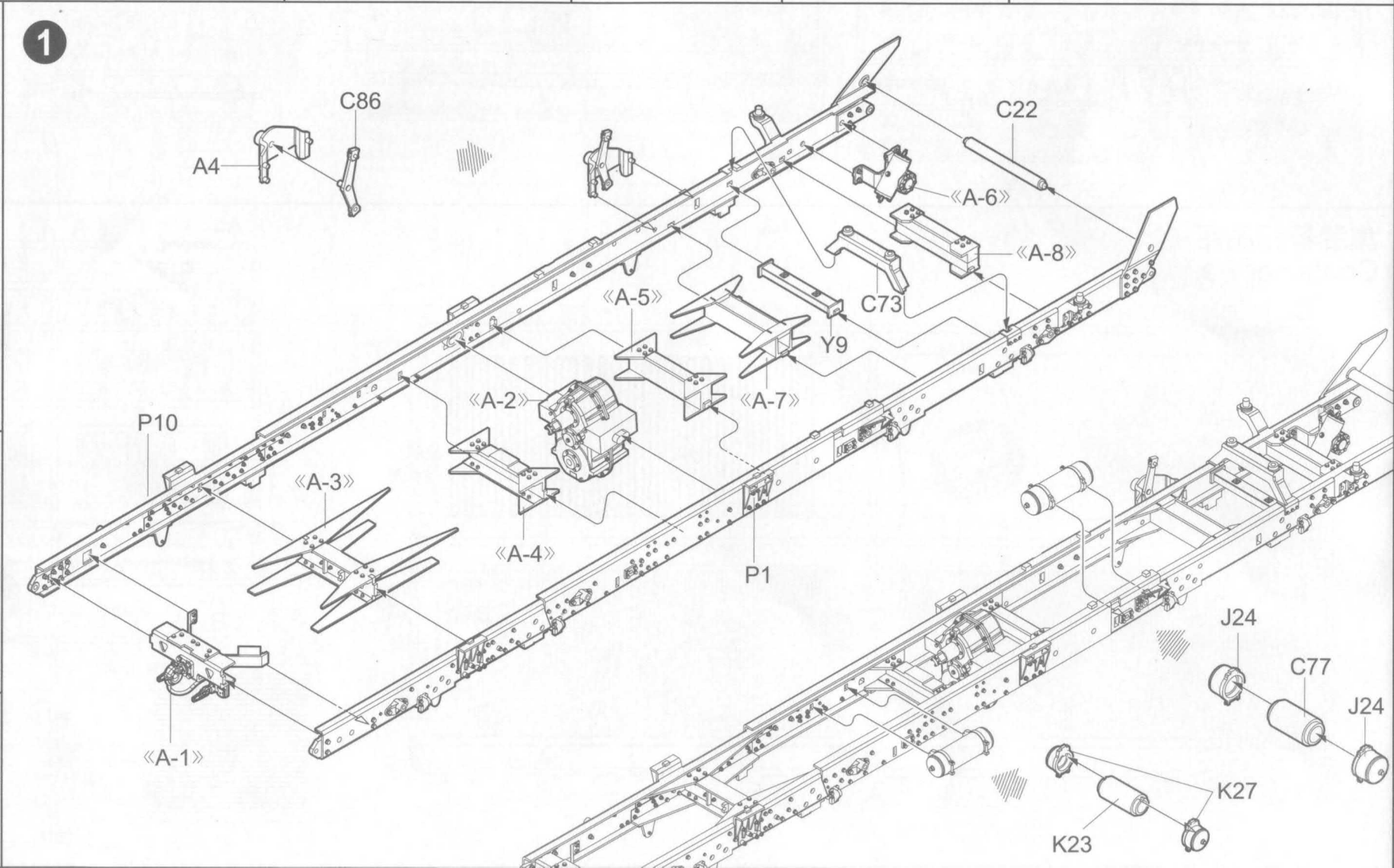
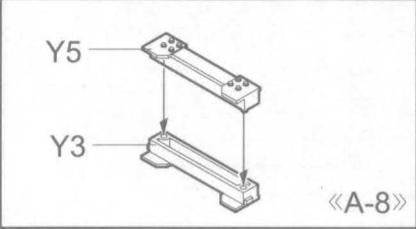
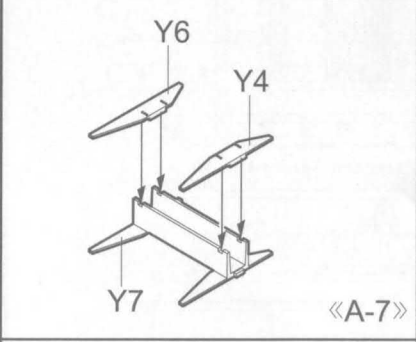
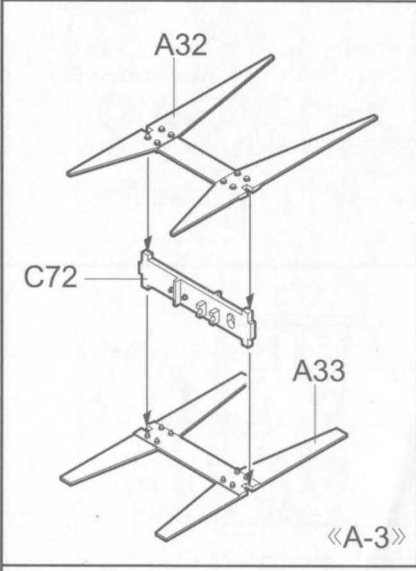
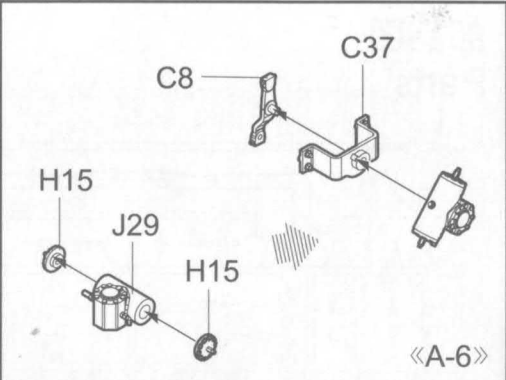
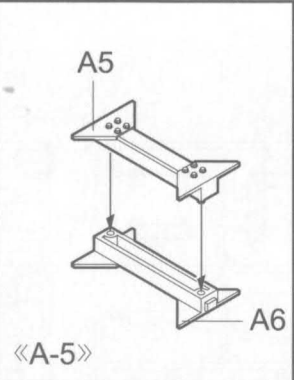
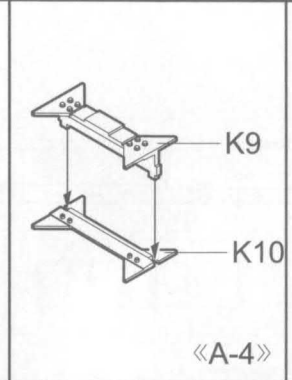
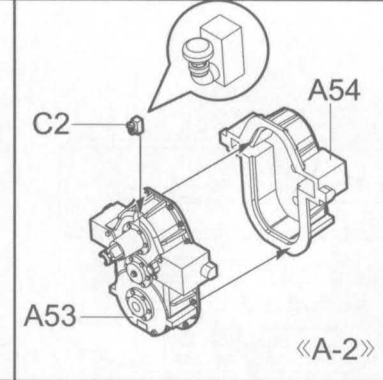
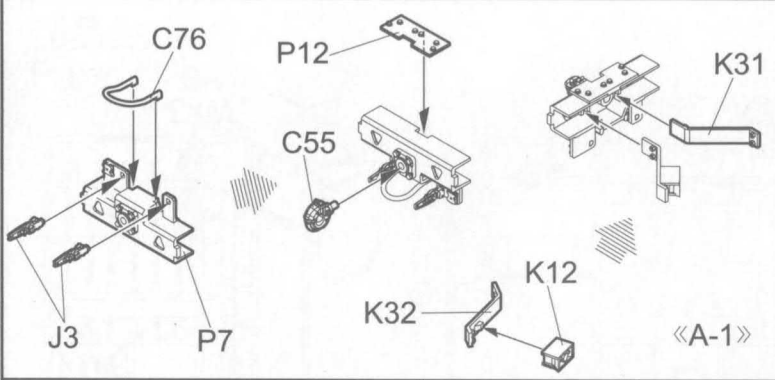
Parts



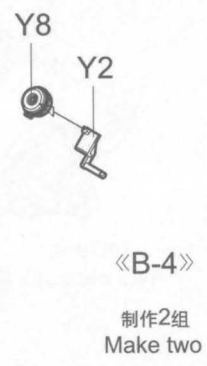
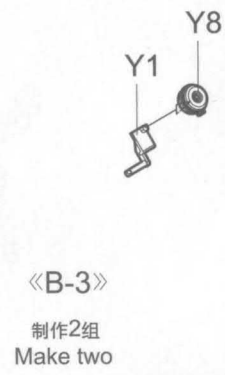
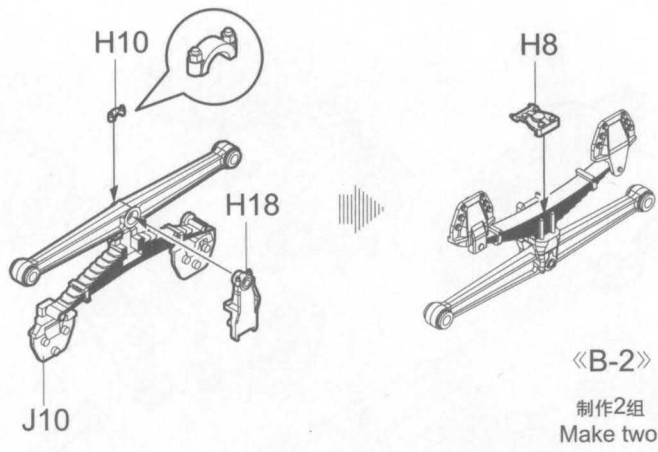
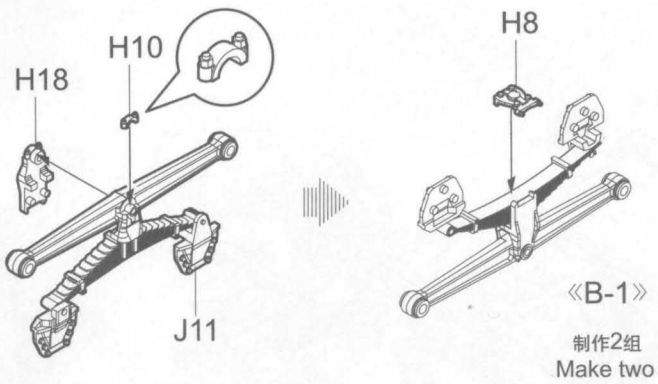
集装箱部品图

Container Parts

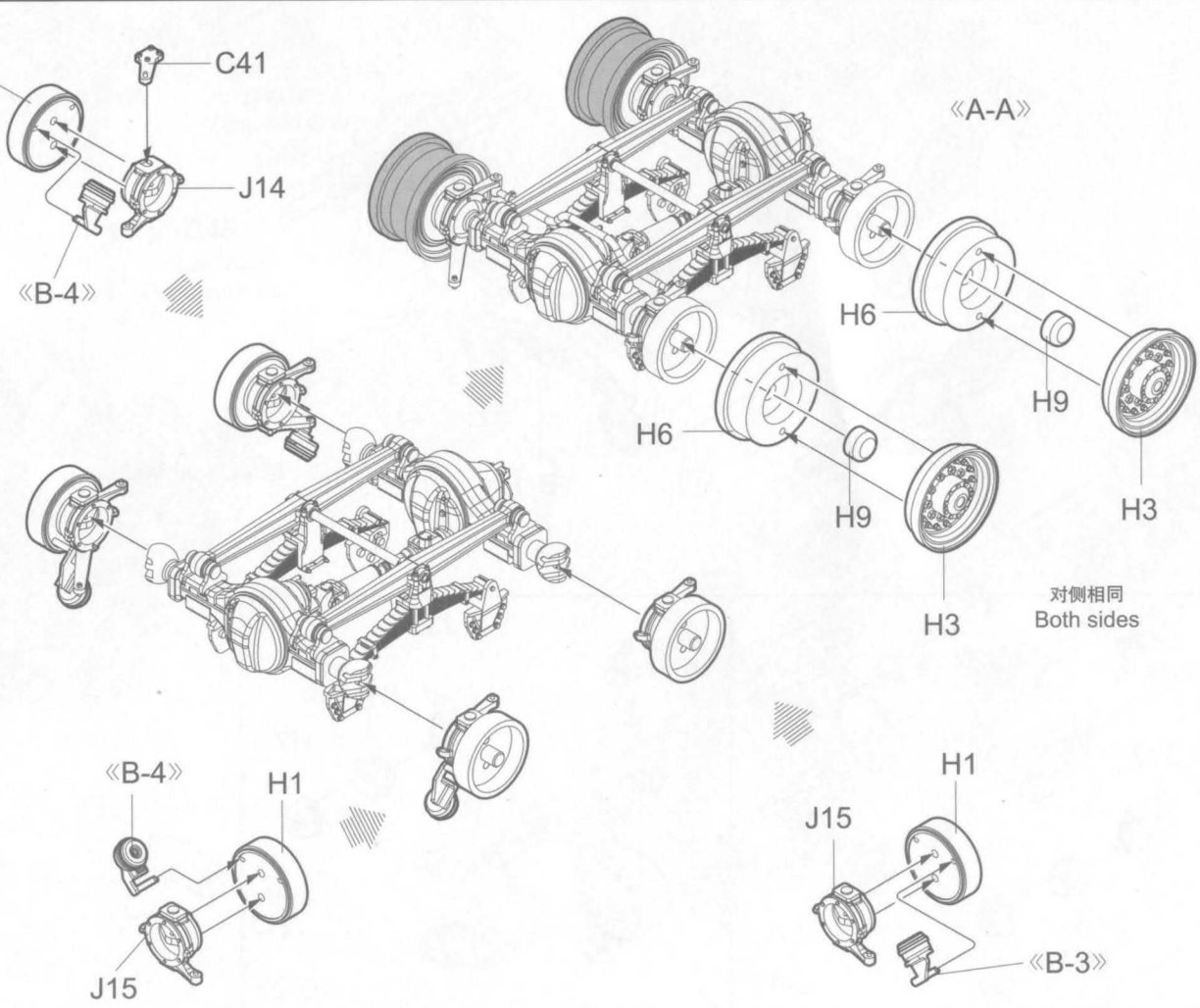
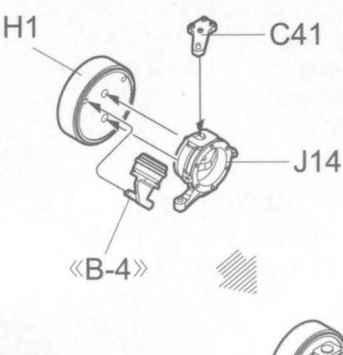
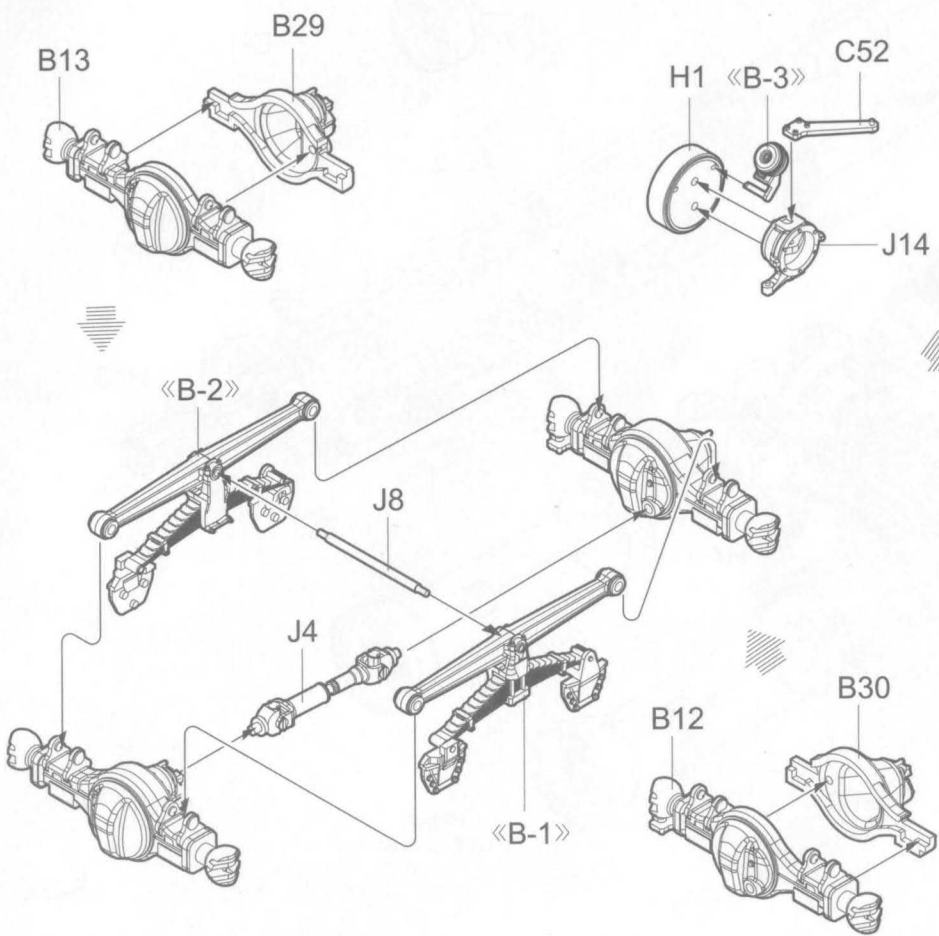




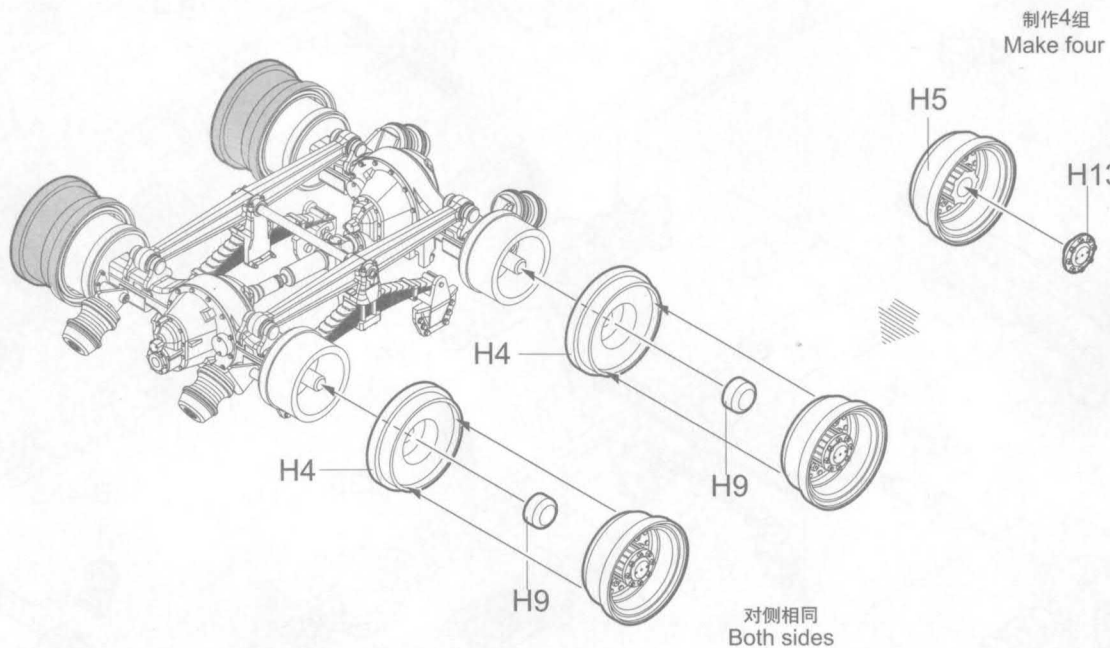
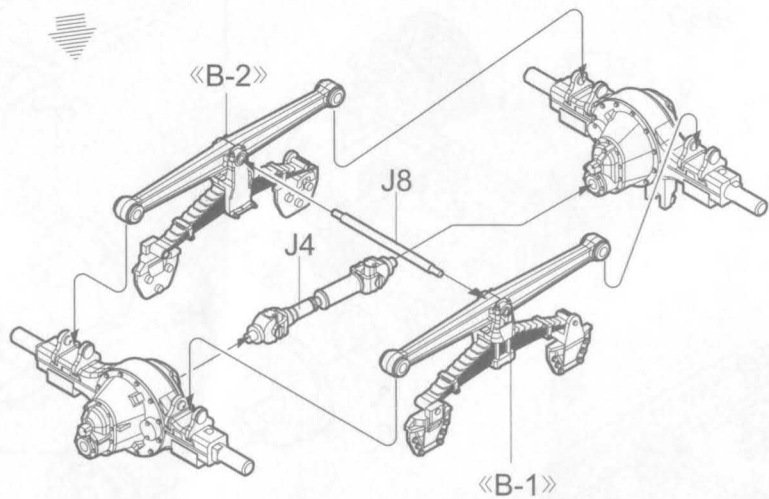
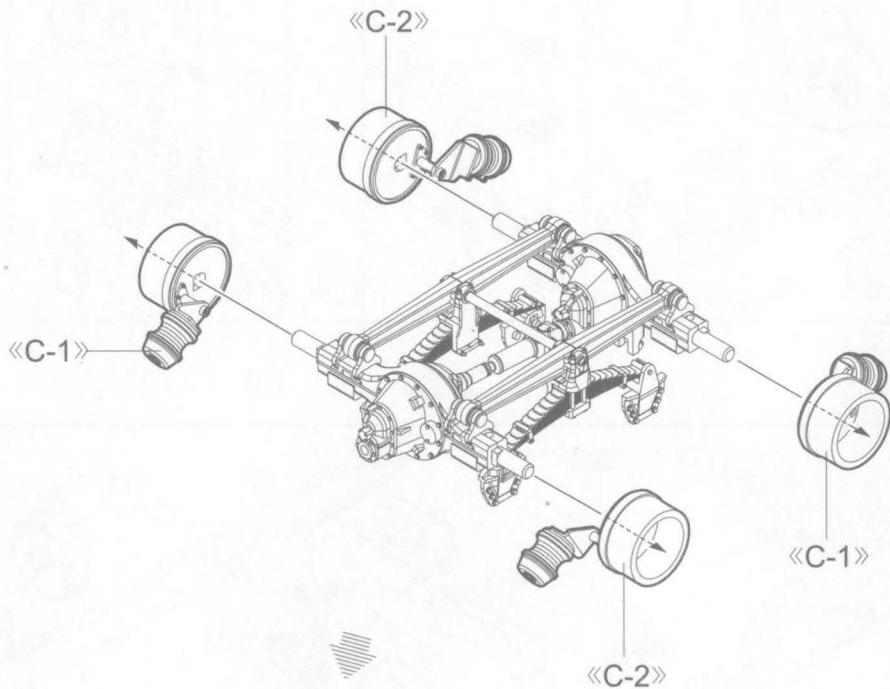
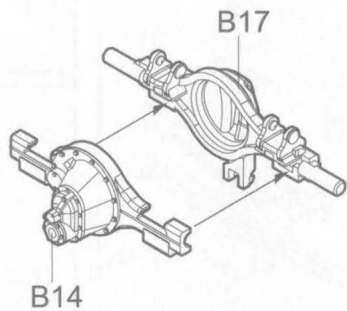
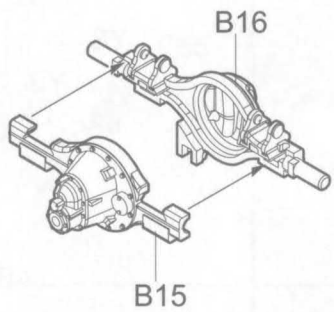
2



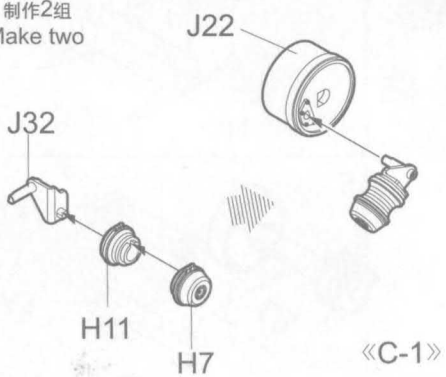
3



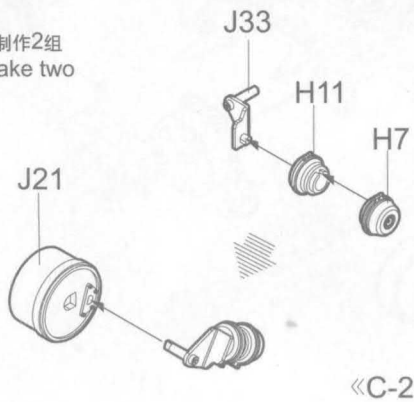
4



制作2组
Make two

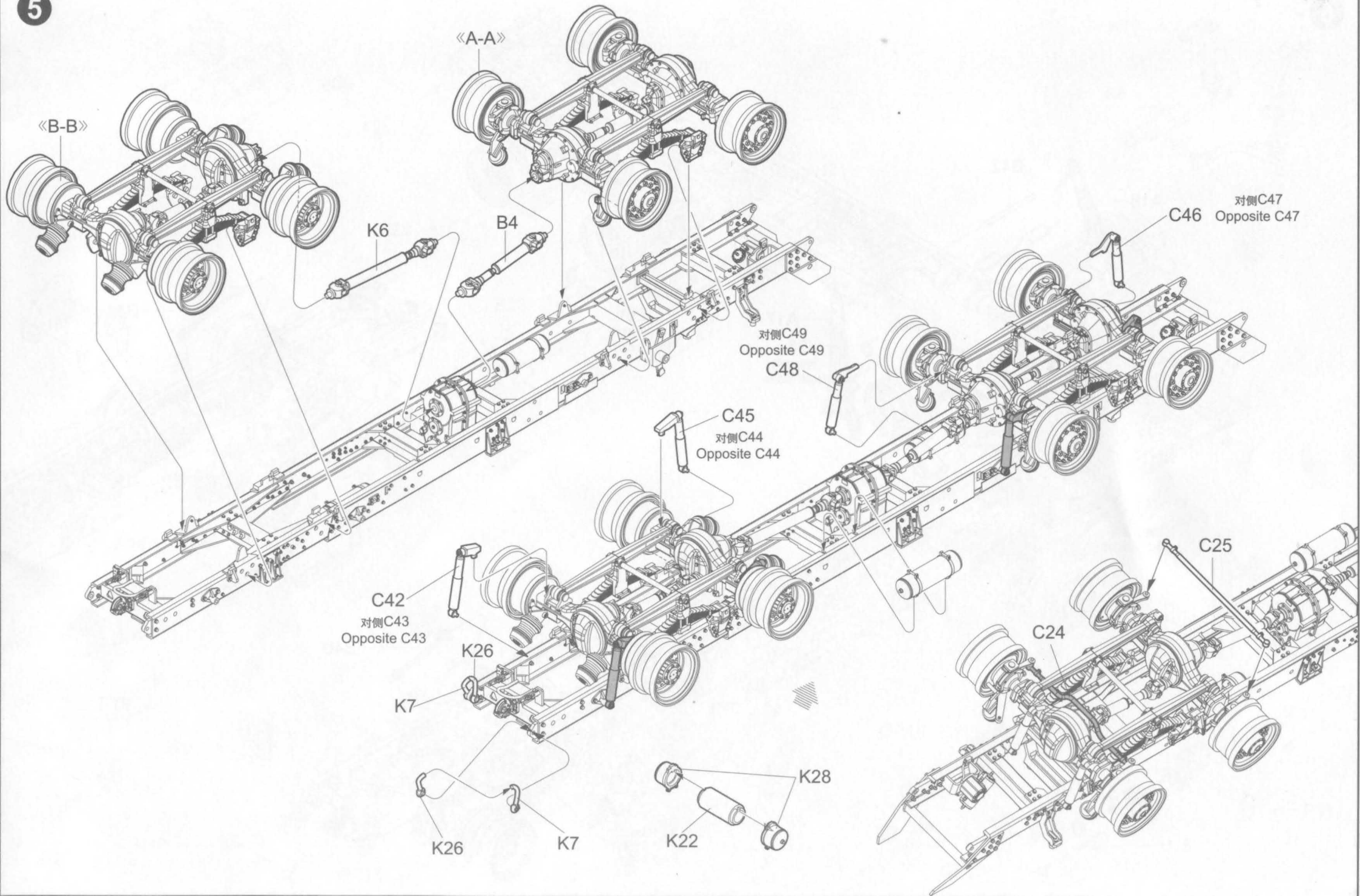


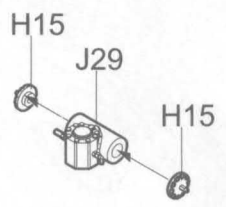
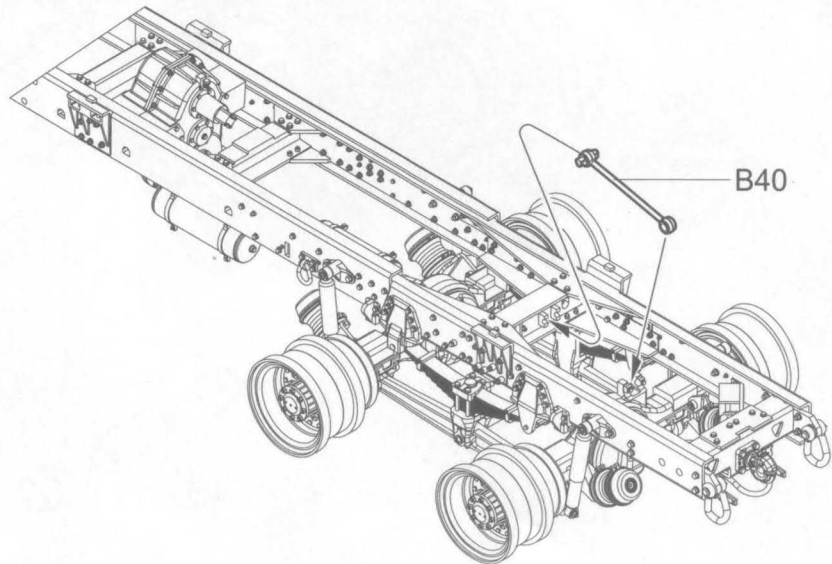
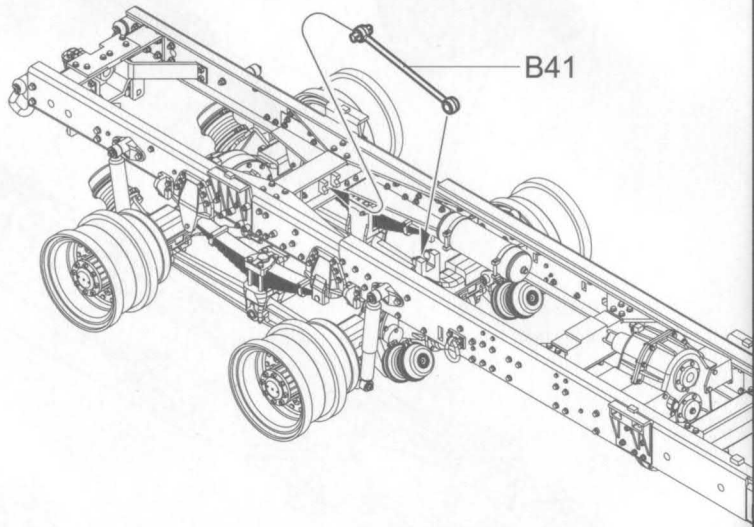
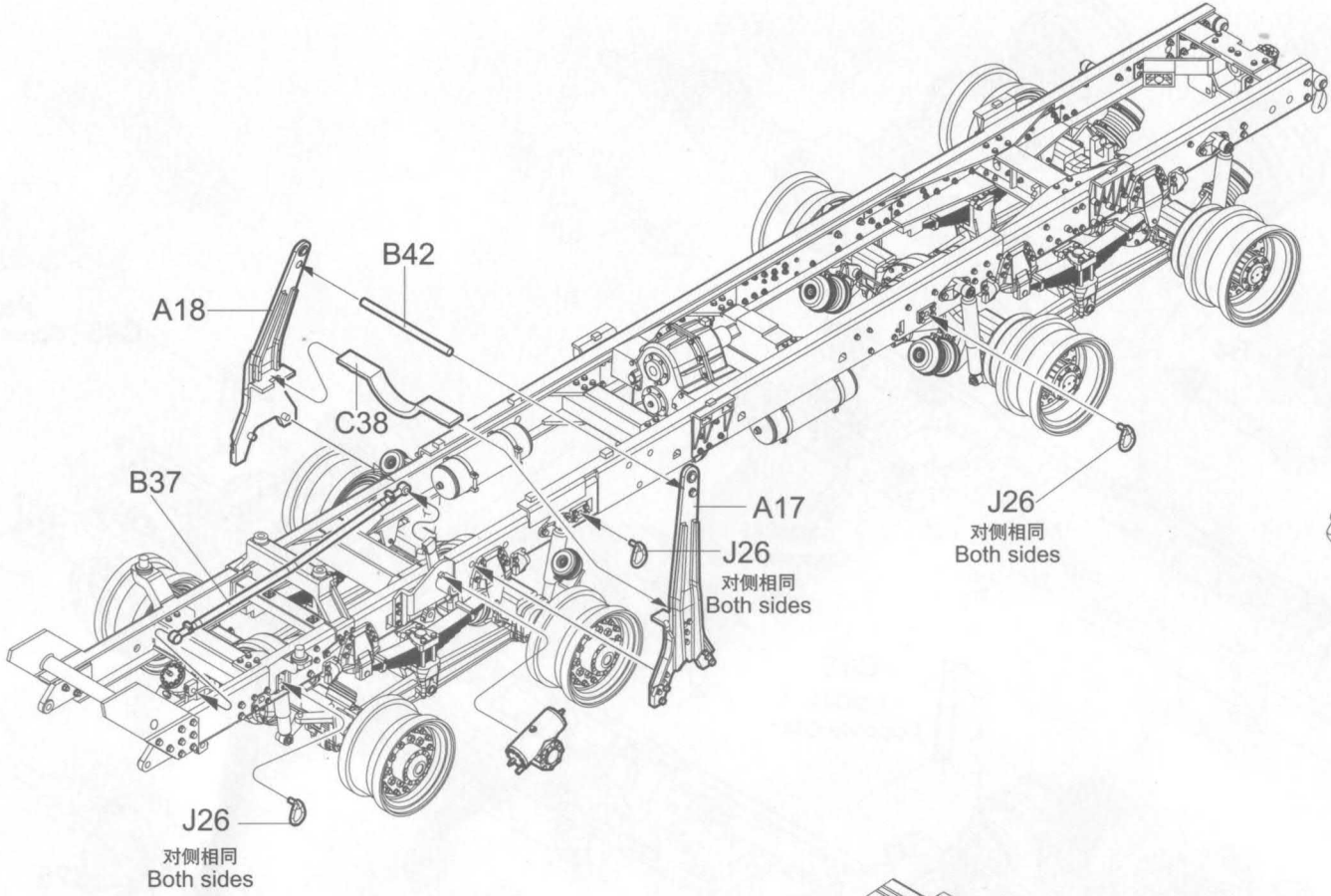
制作2组
Make two



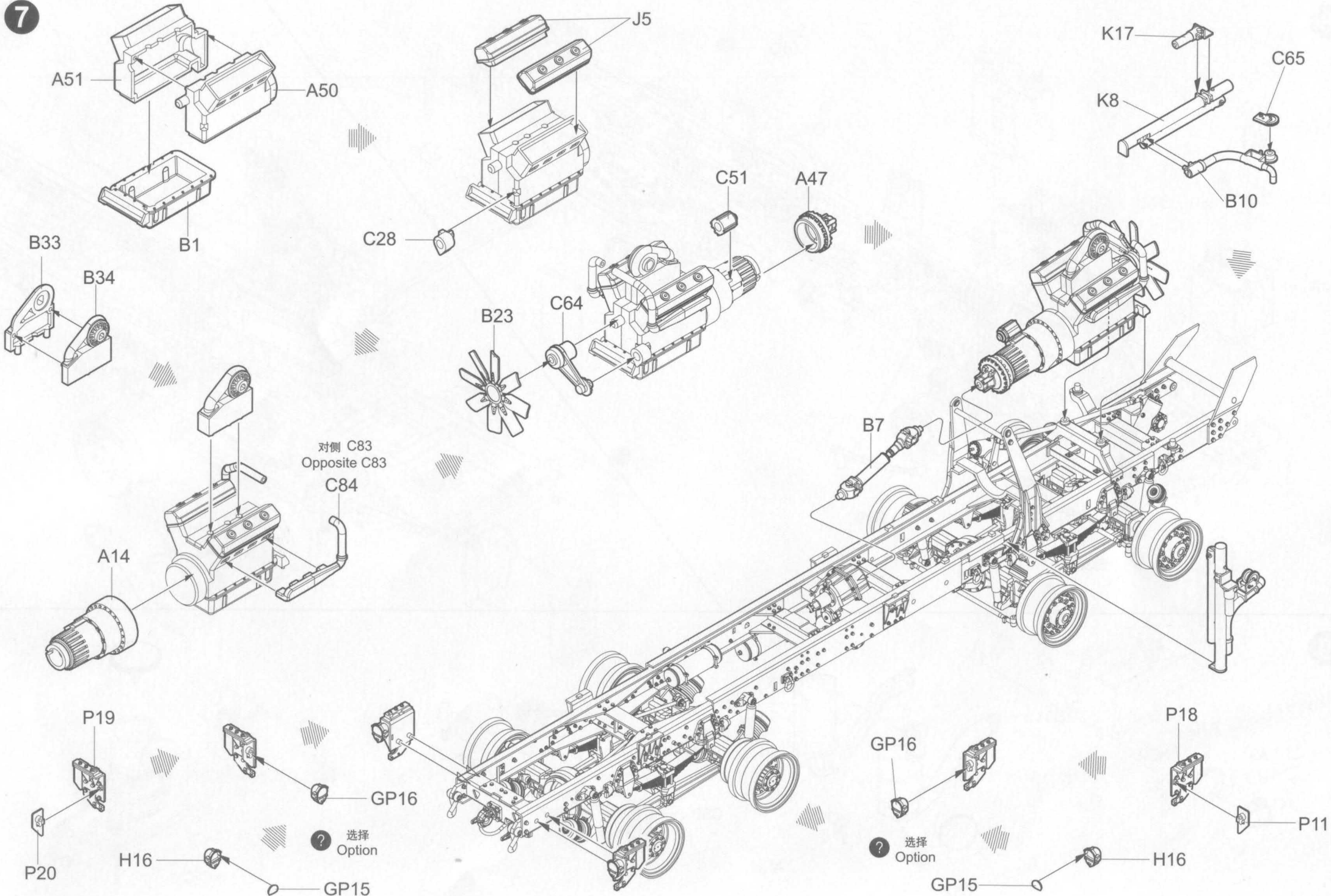
对侧相同
Both sides

《B-B》

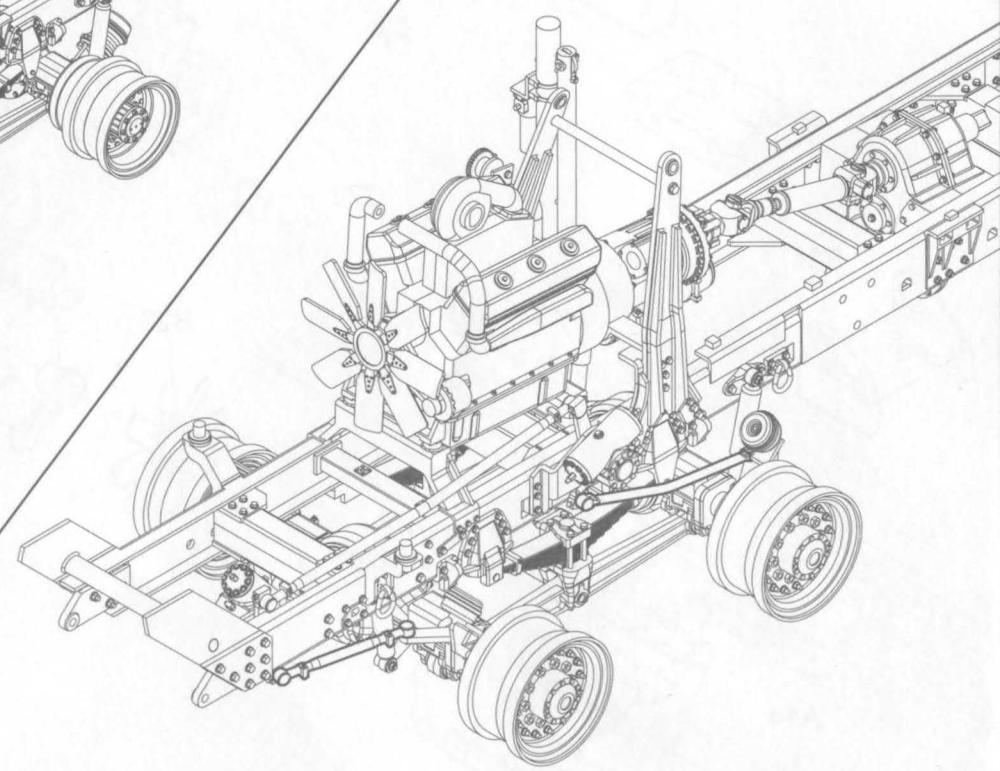
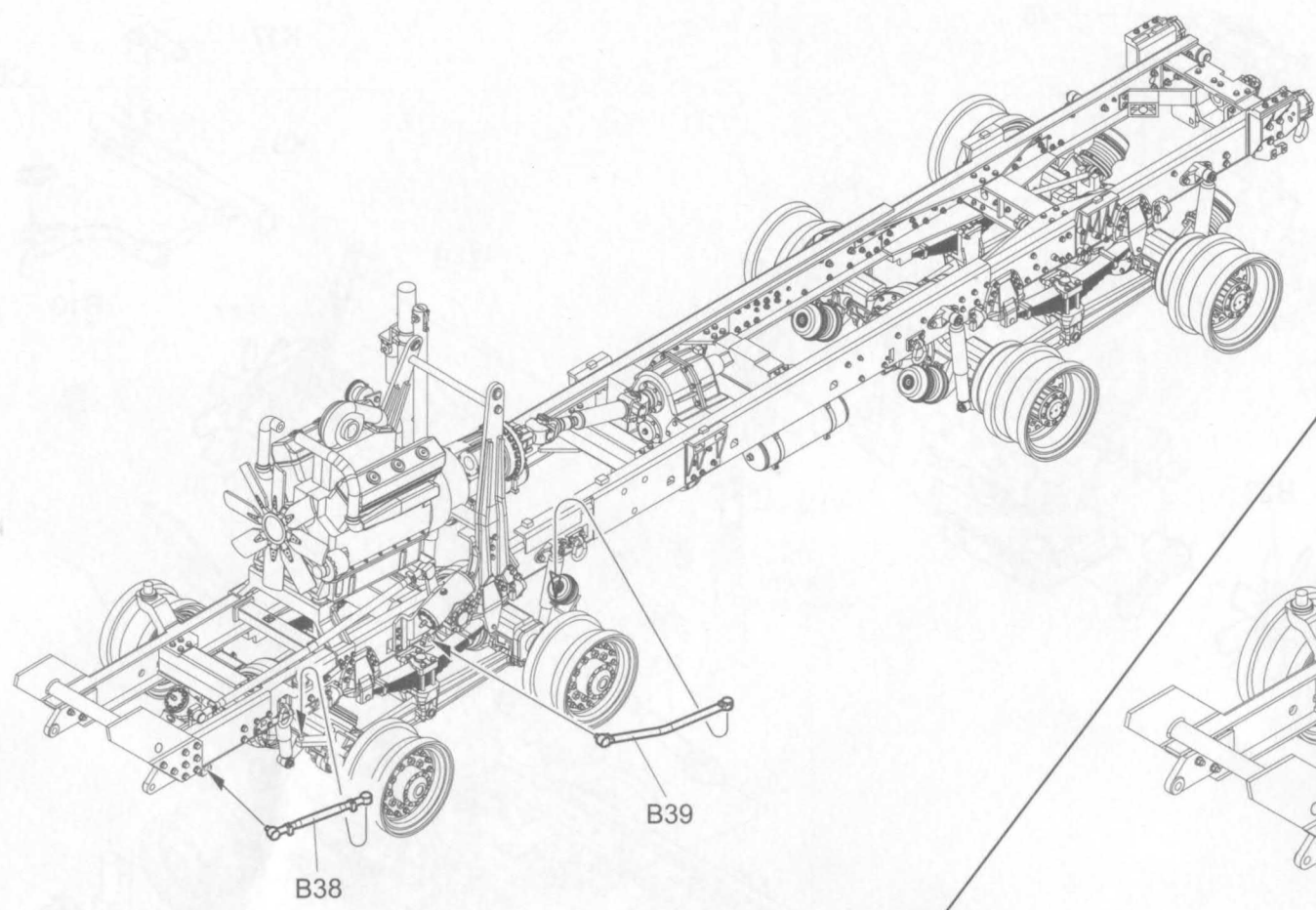




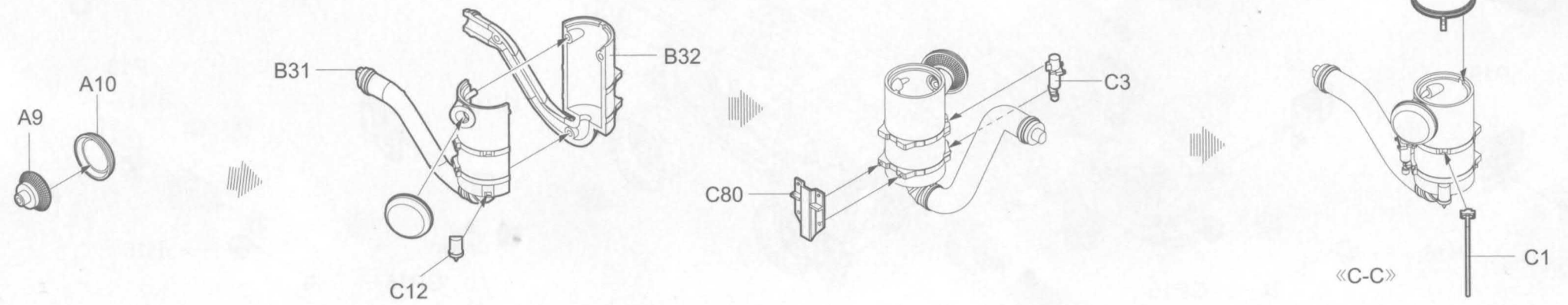
7

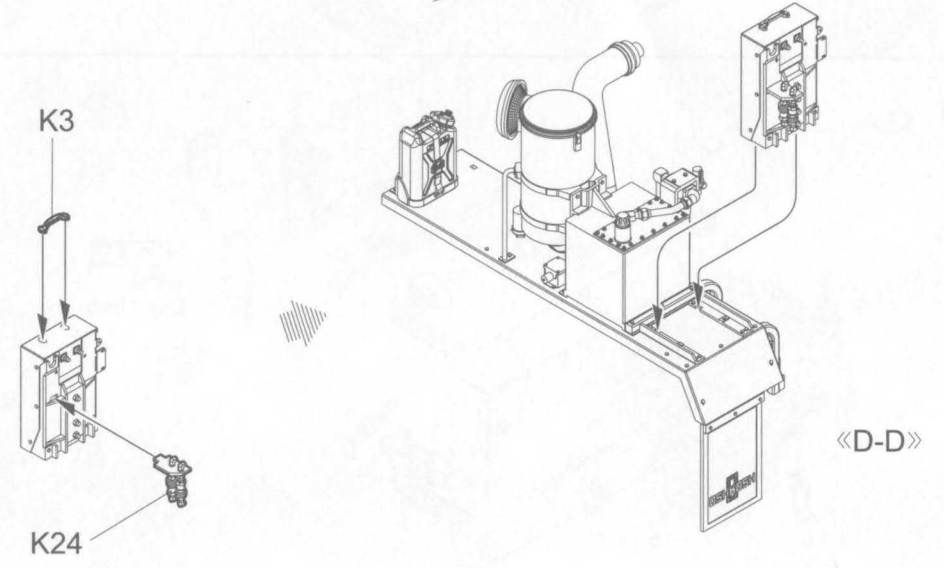
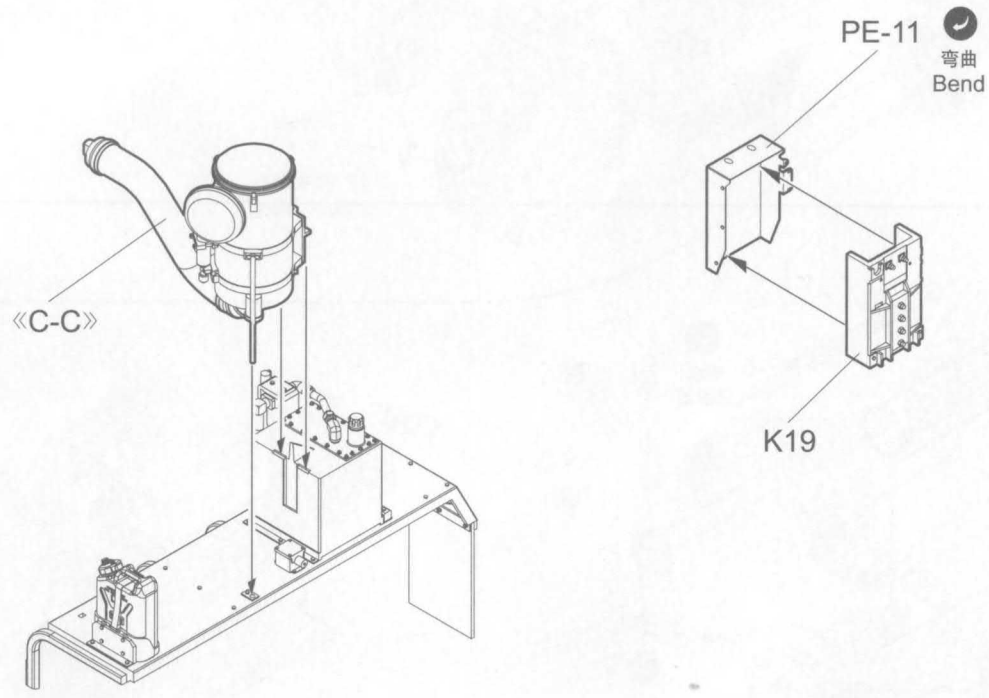
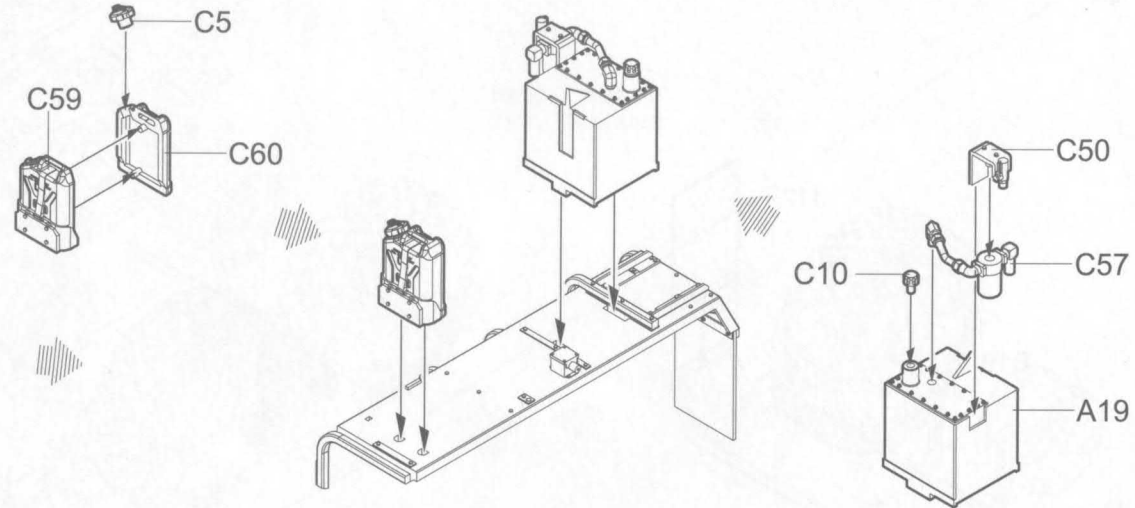
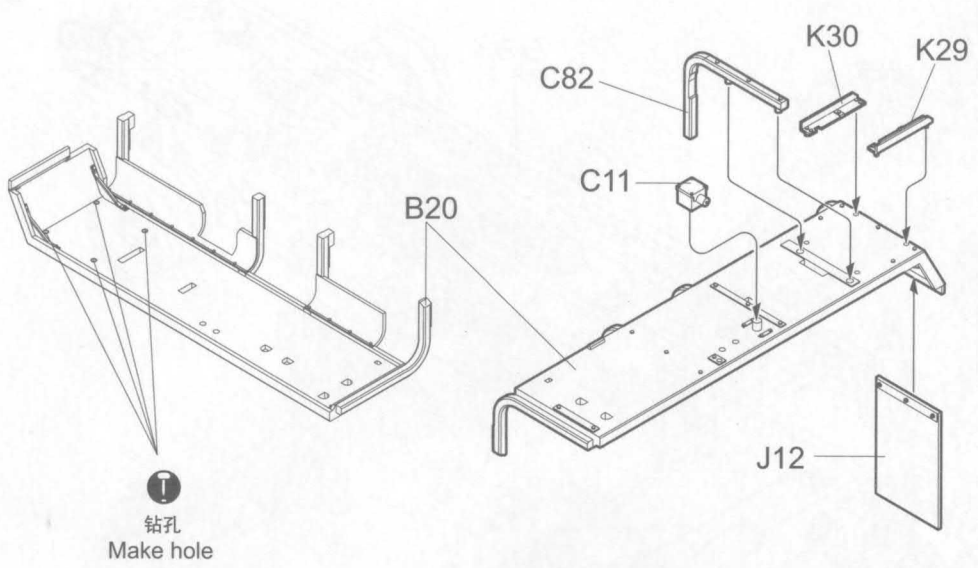


8

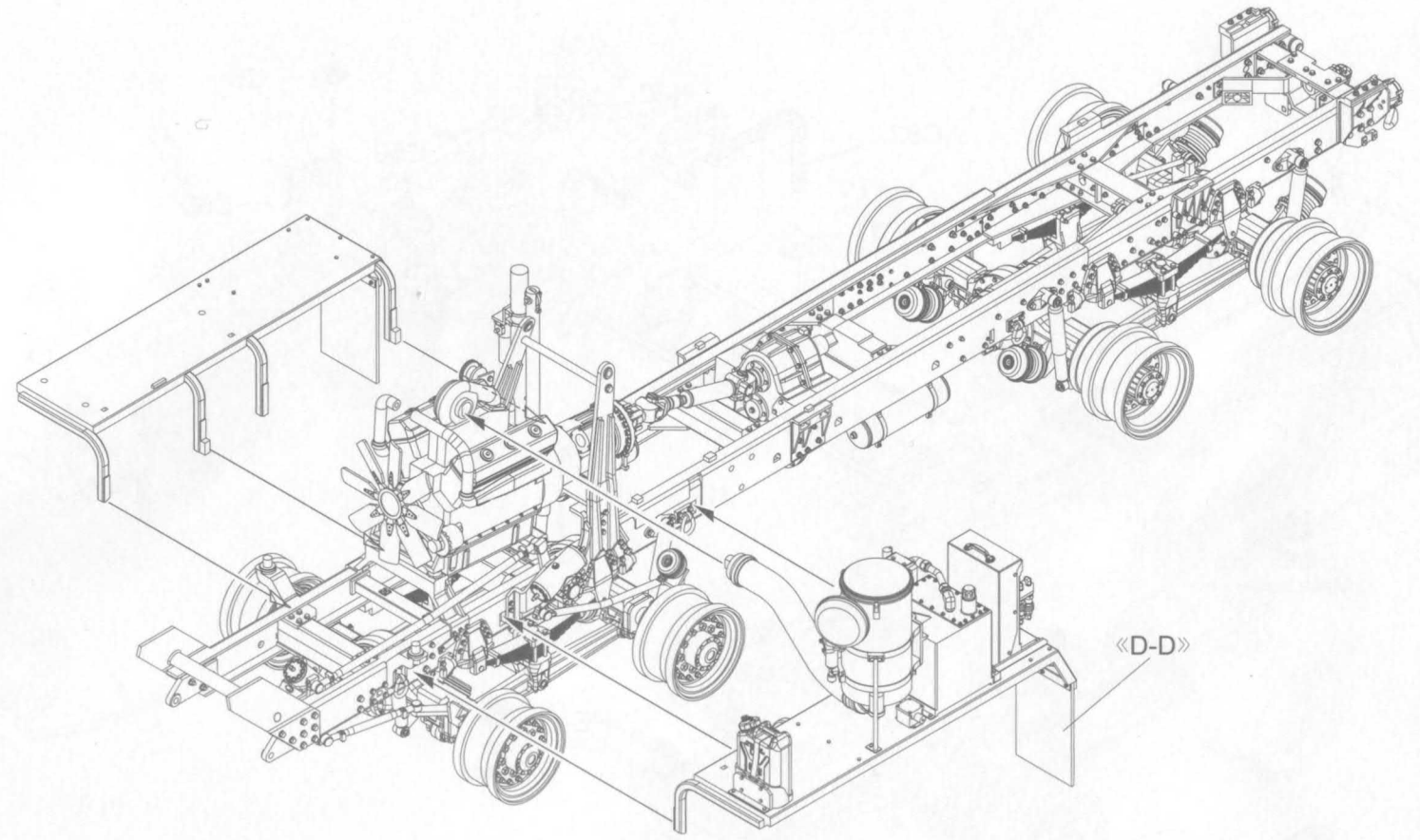
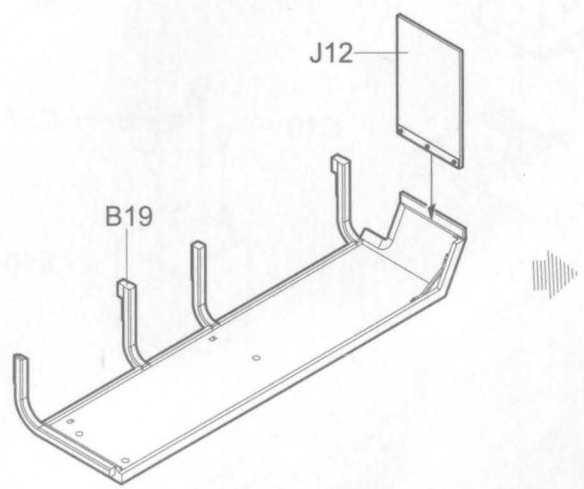


9

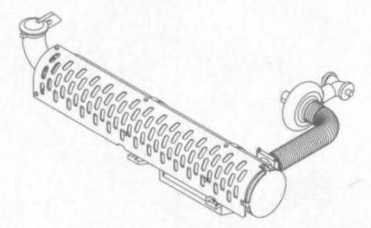
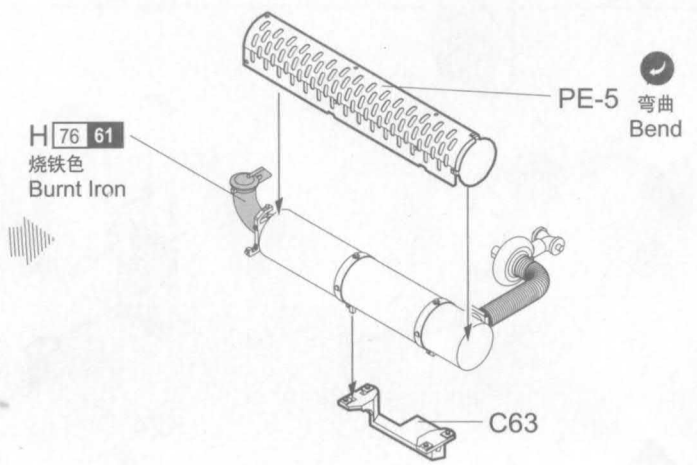
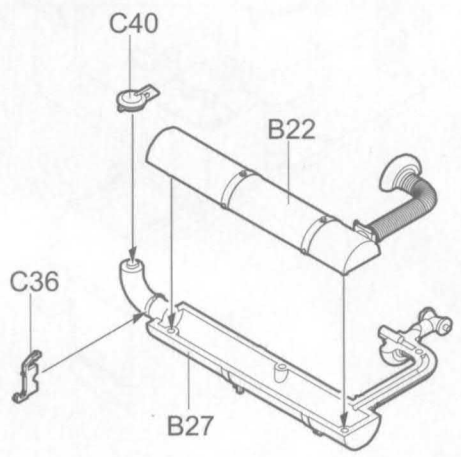




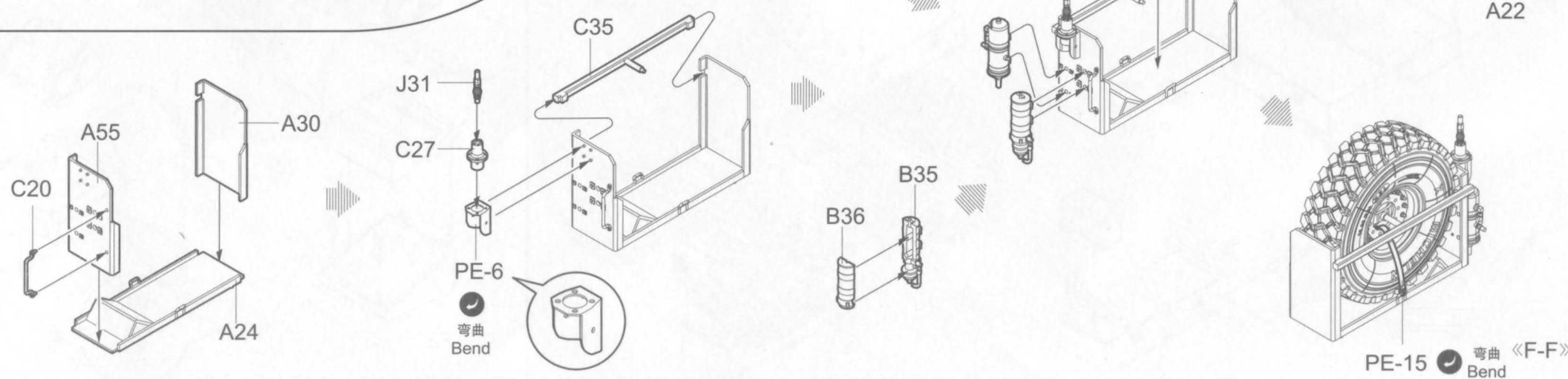
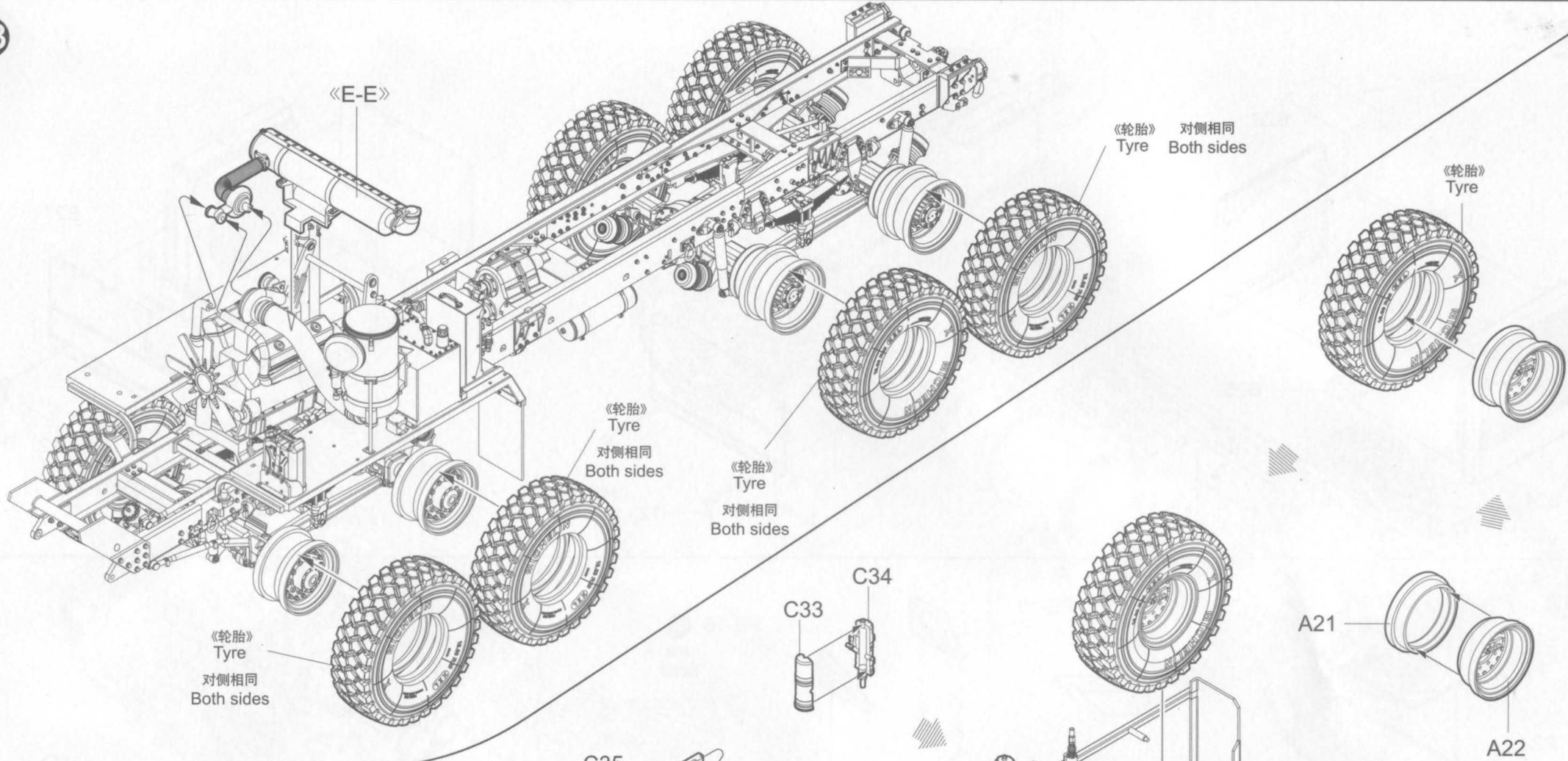
11



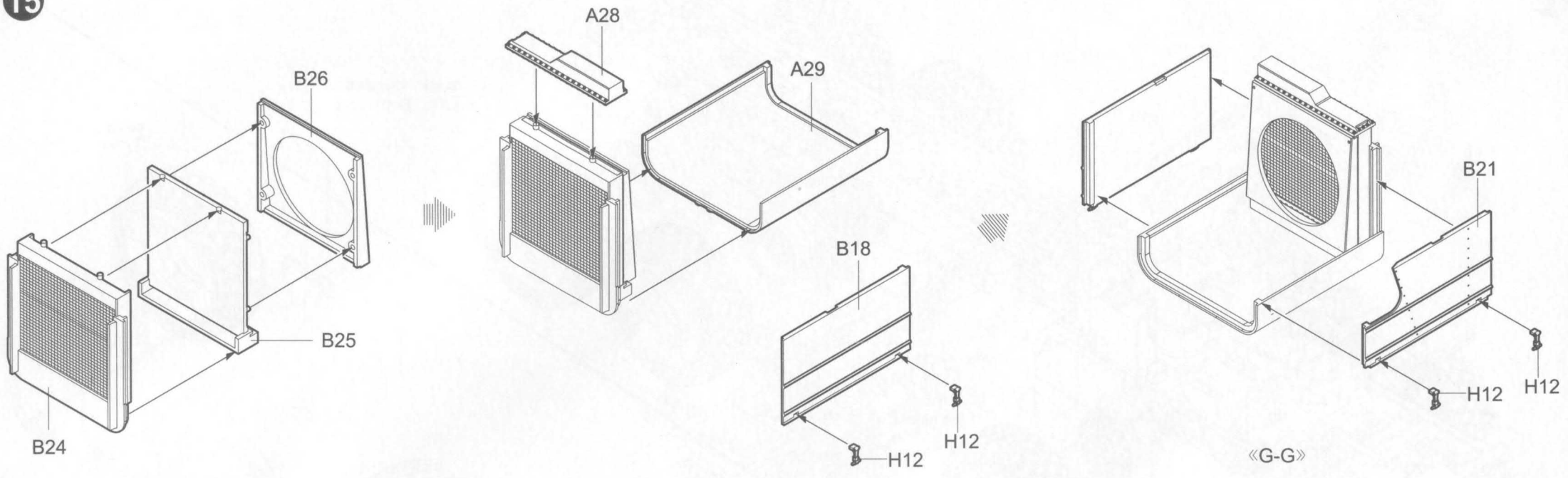
12



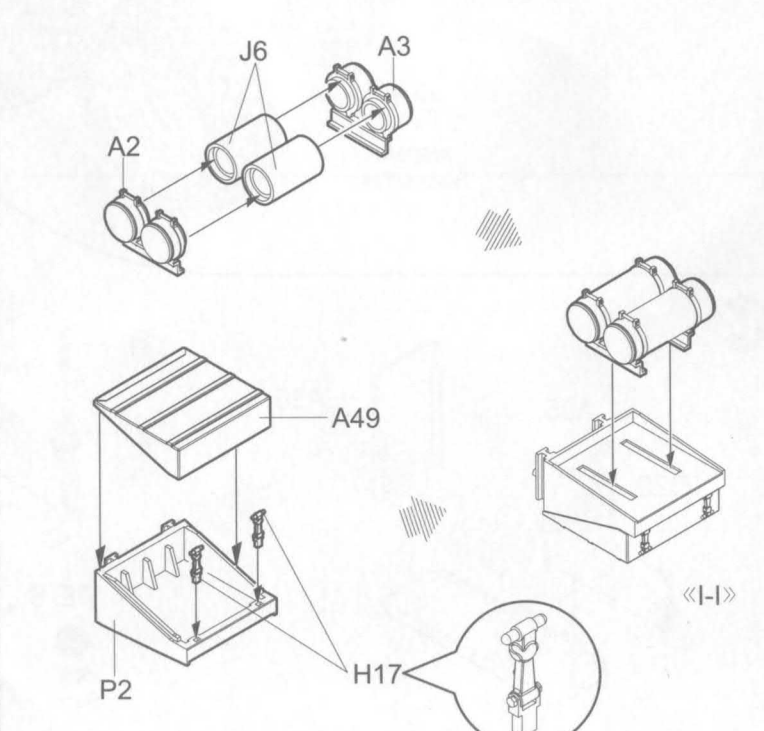
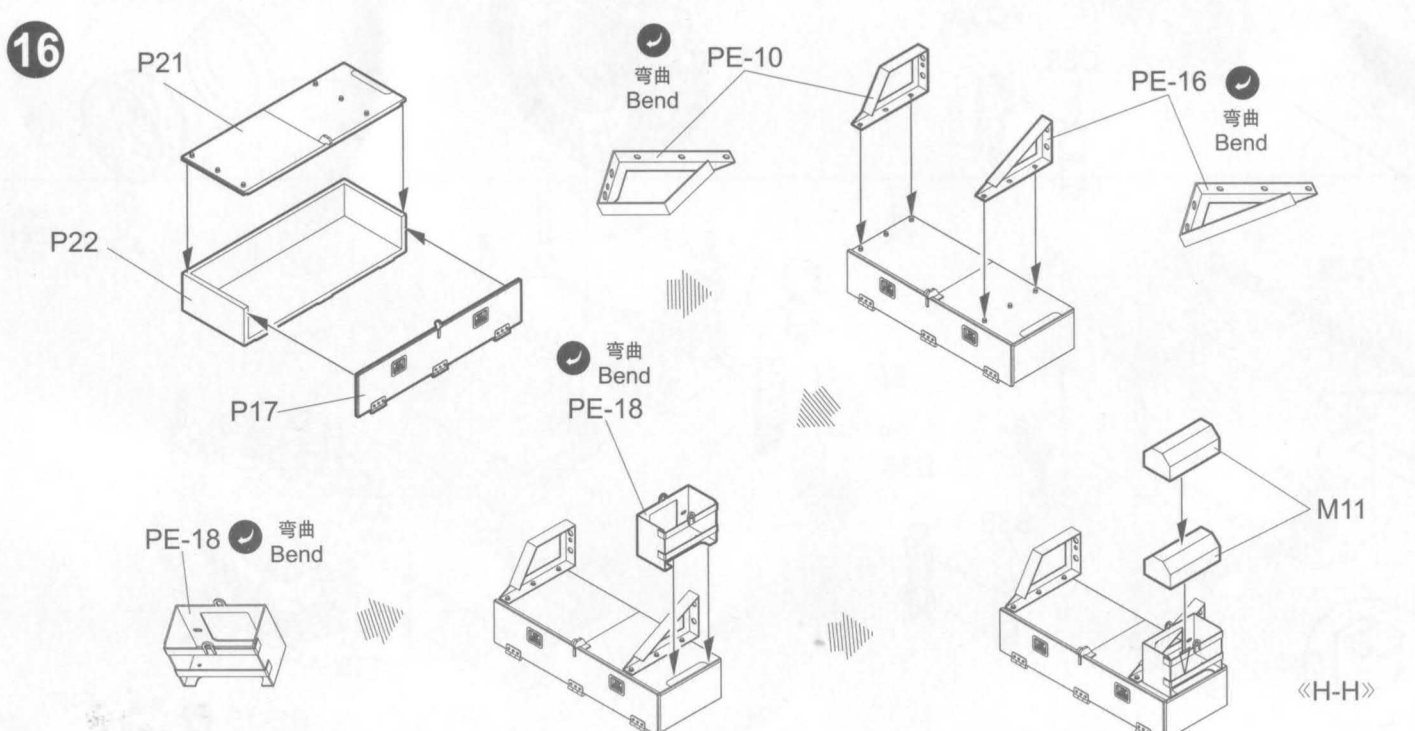
«E-E»

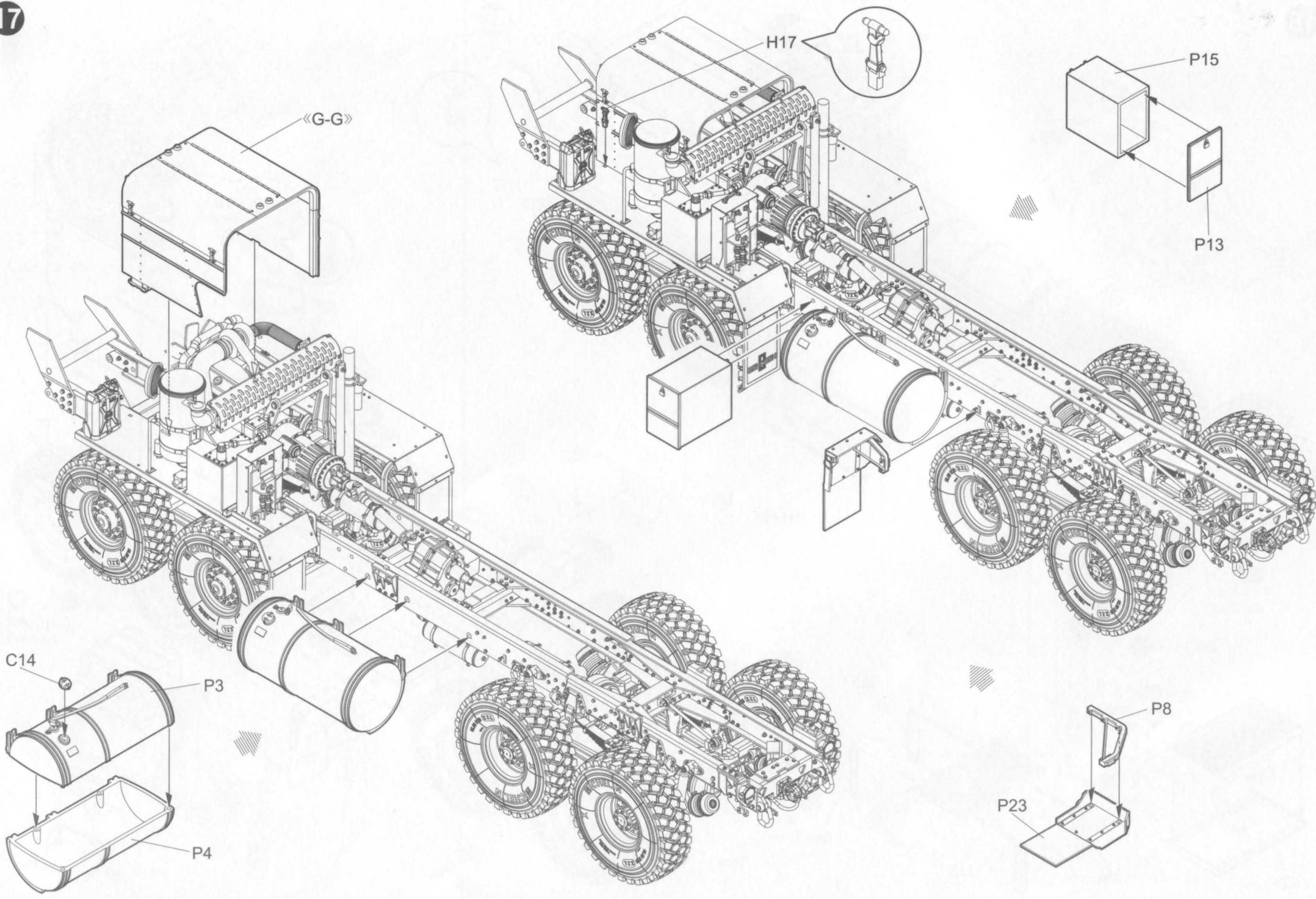


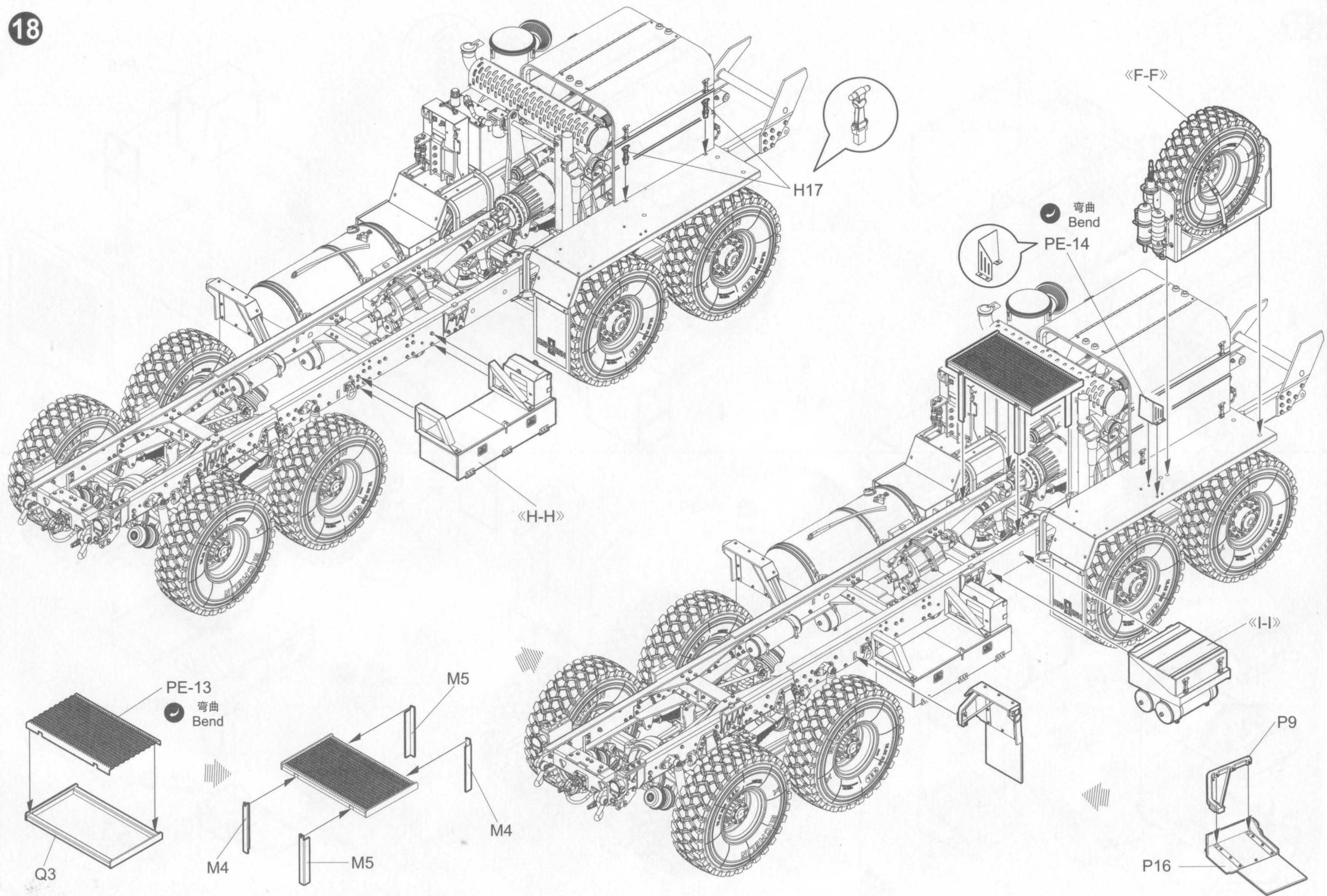
15

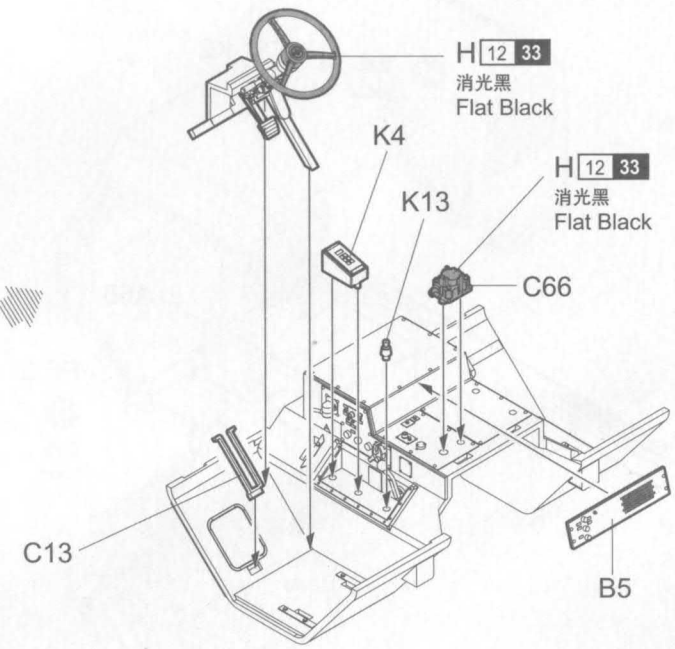
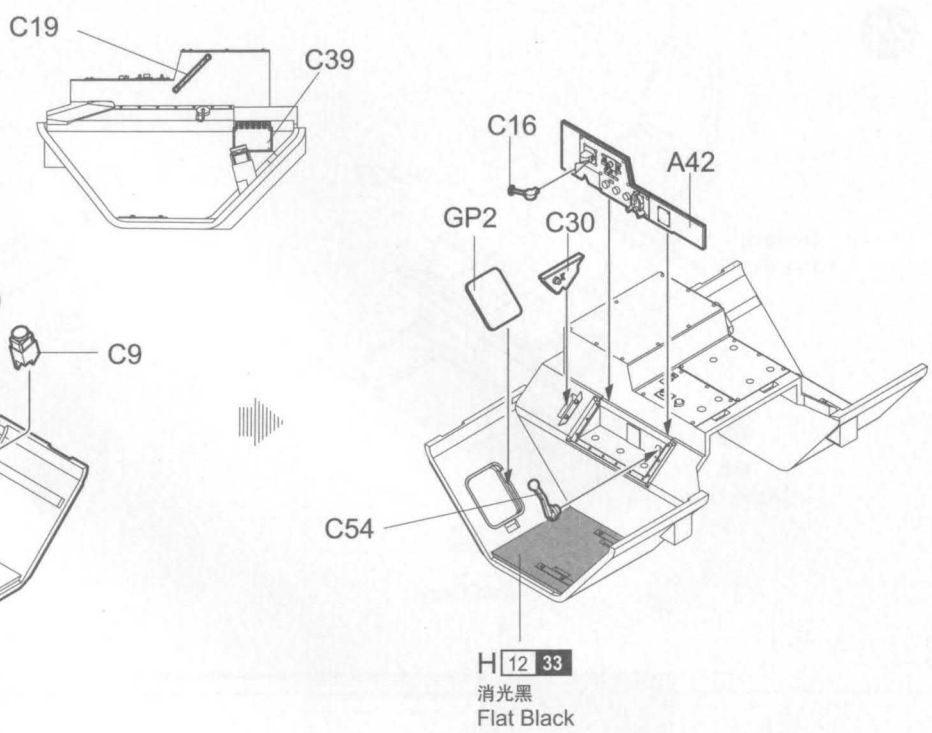
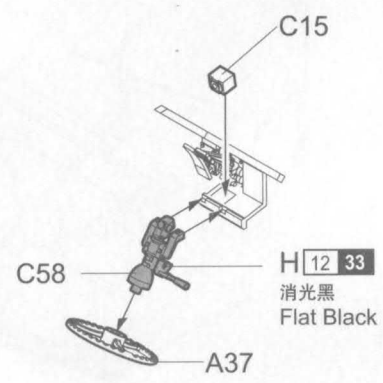
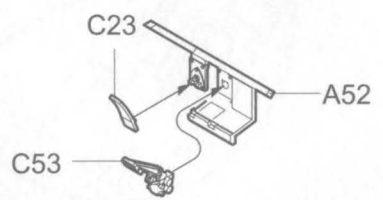
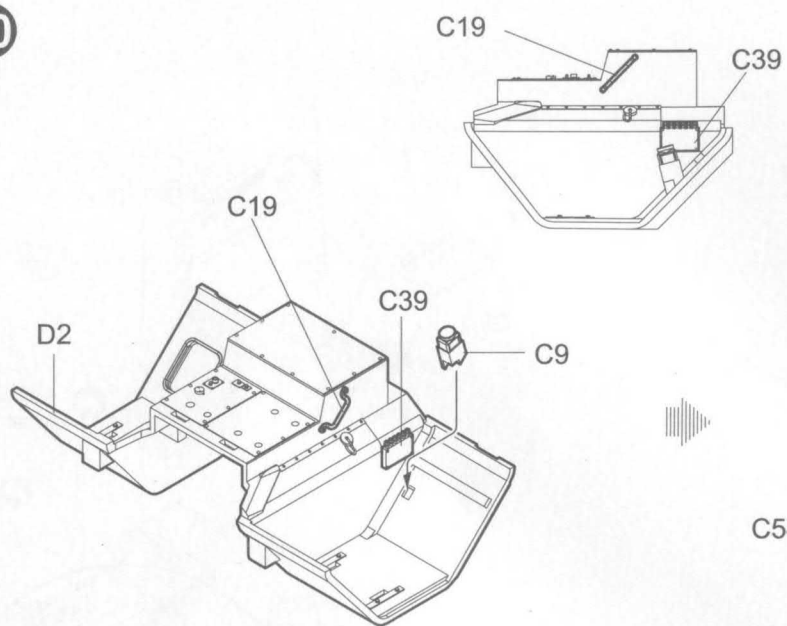
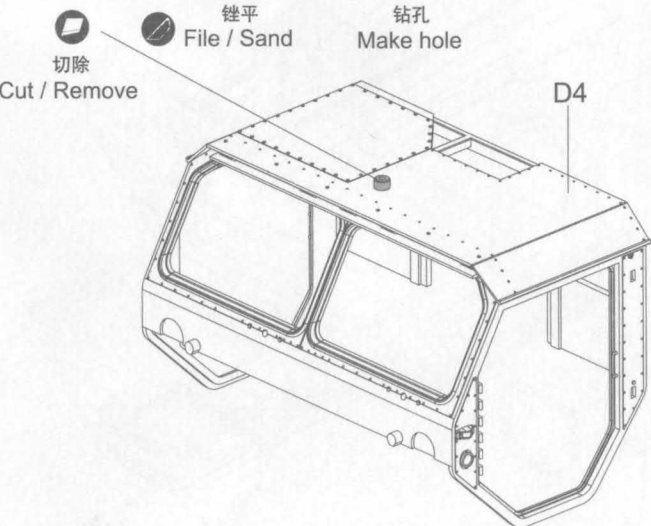
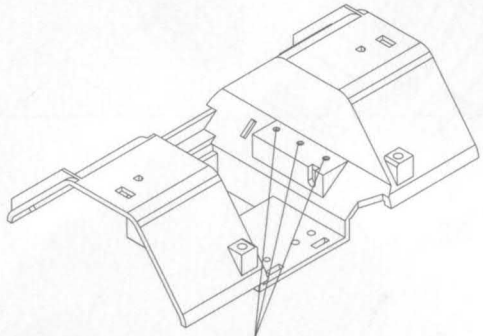
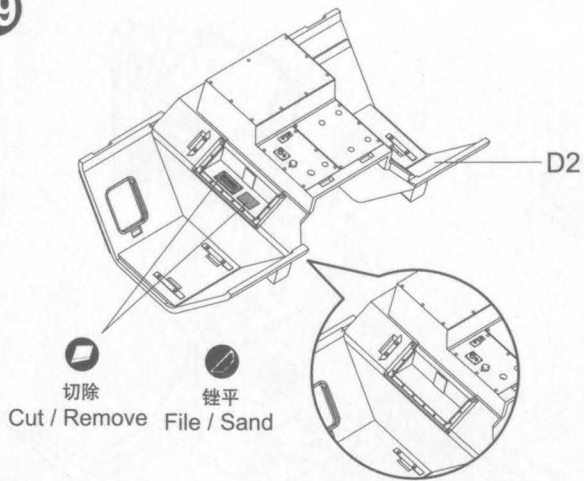


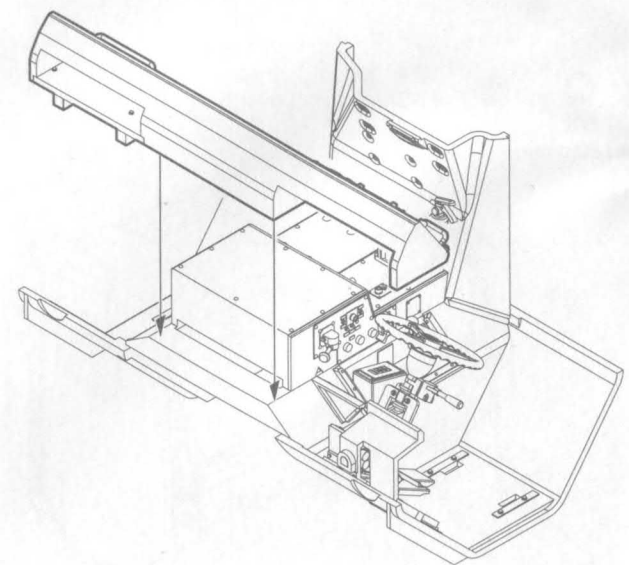
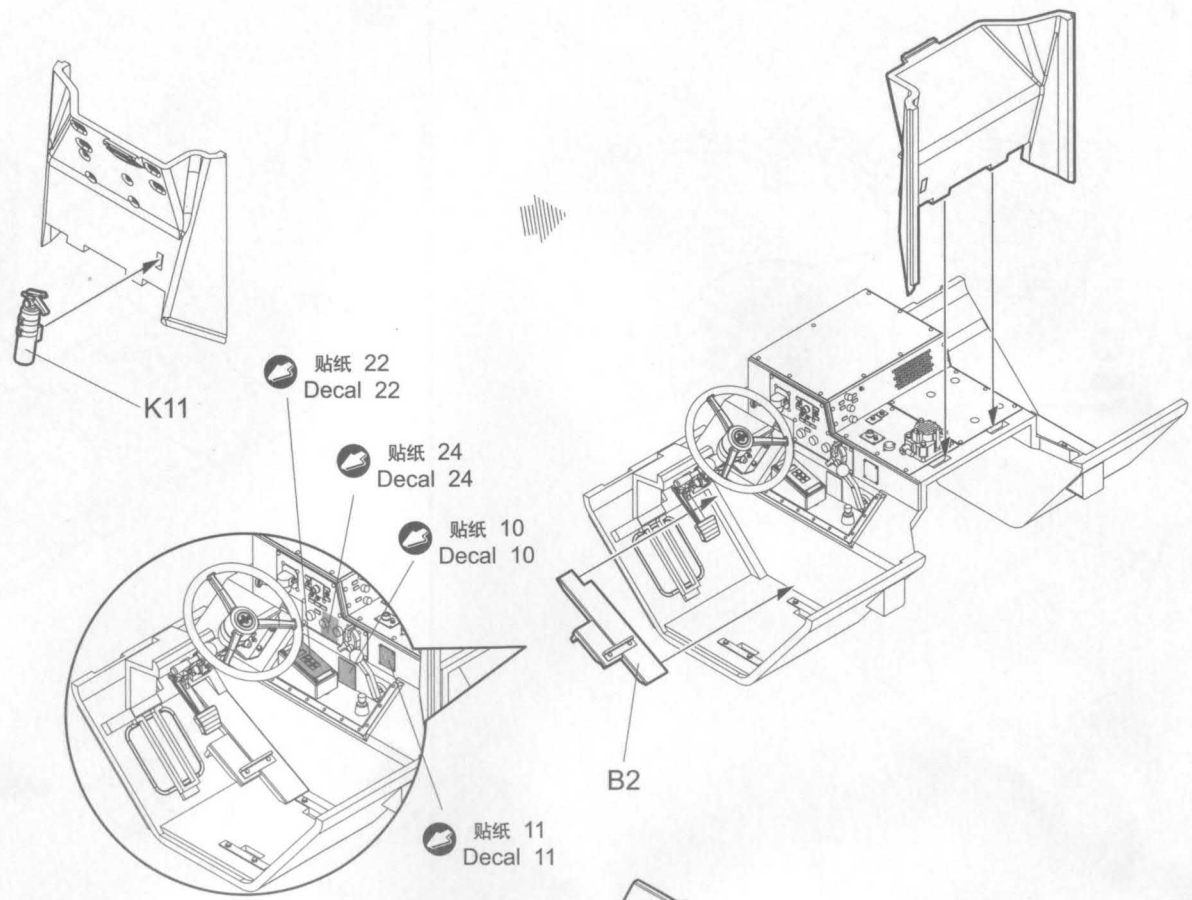
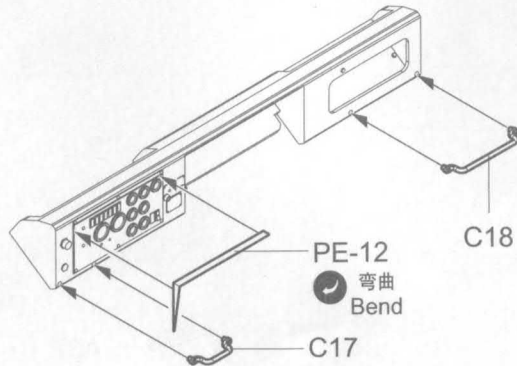
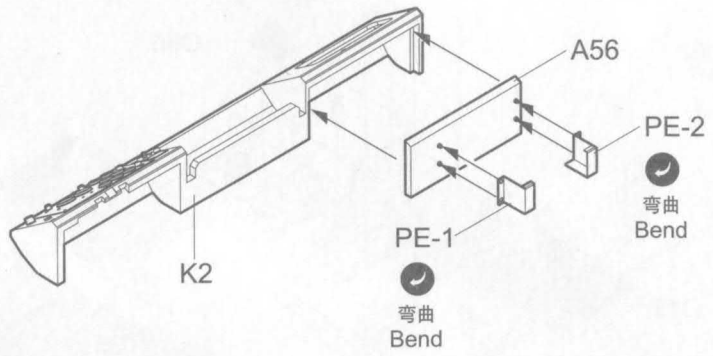
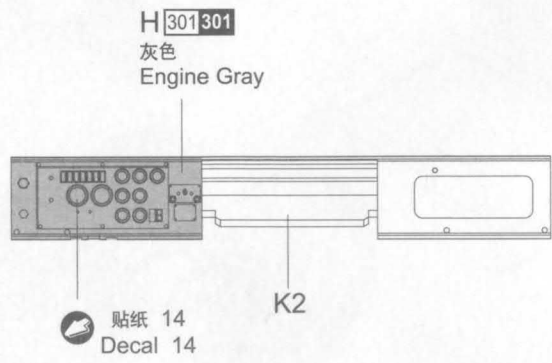
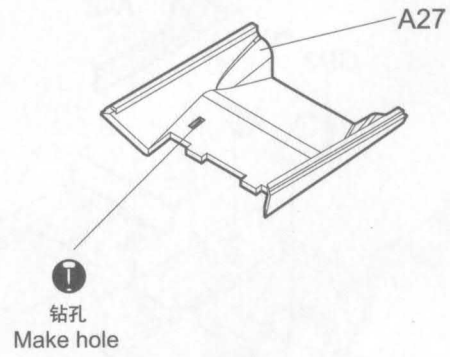
16



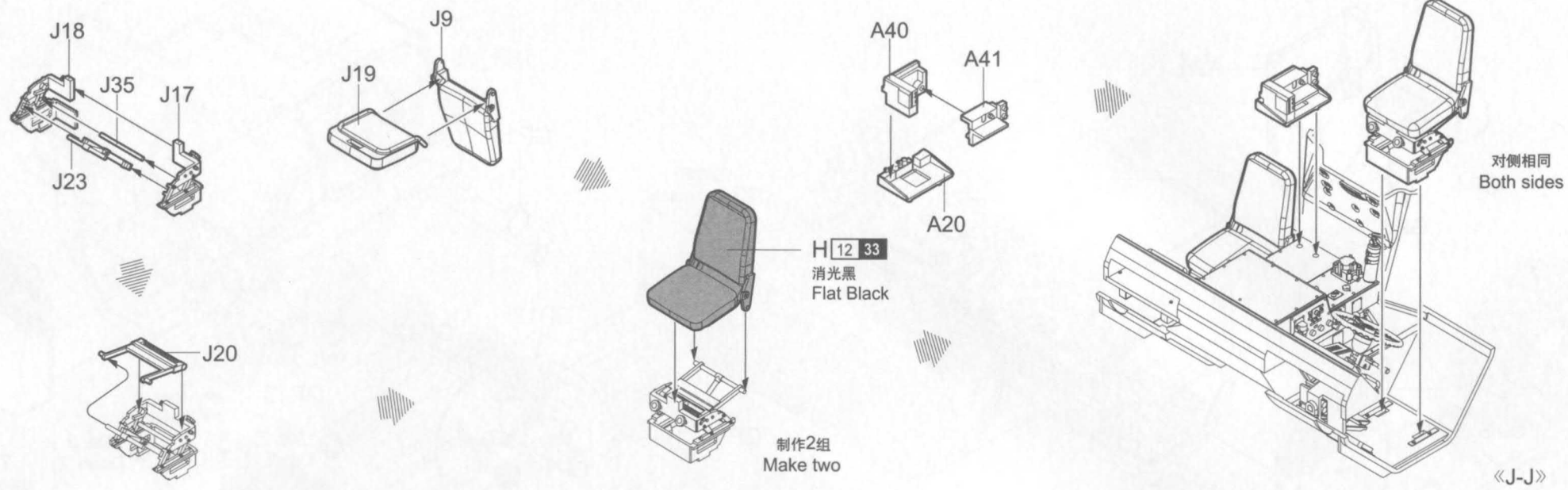




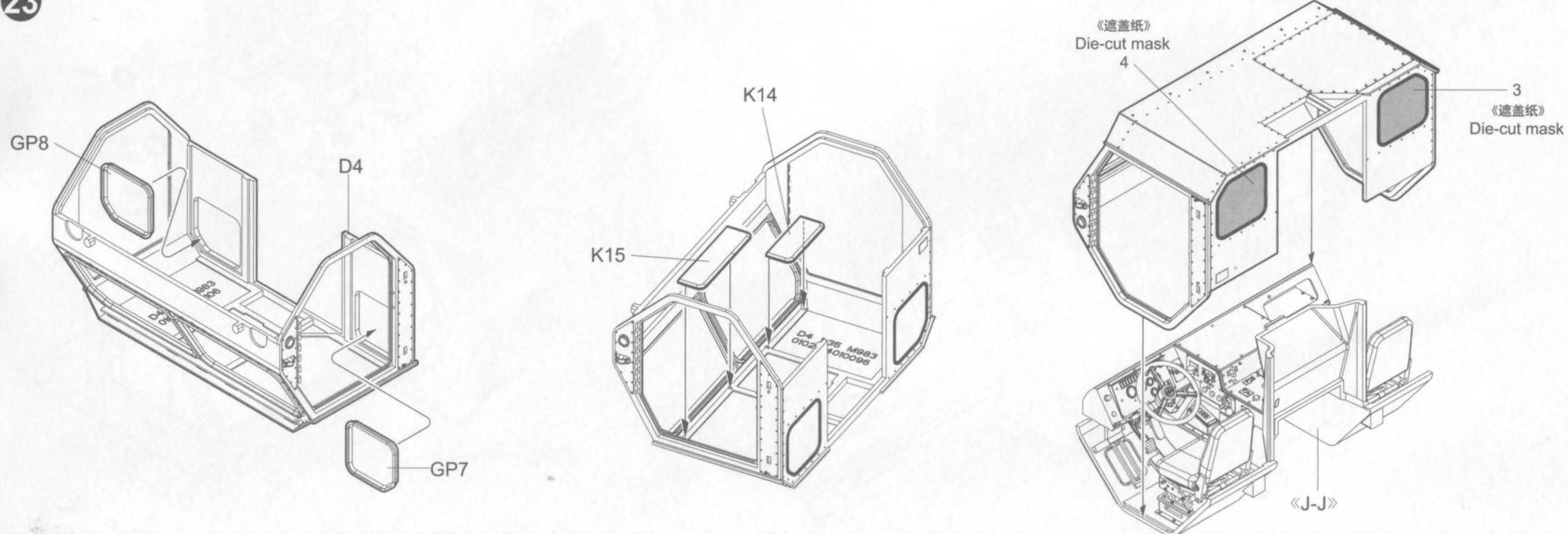


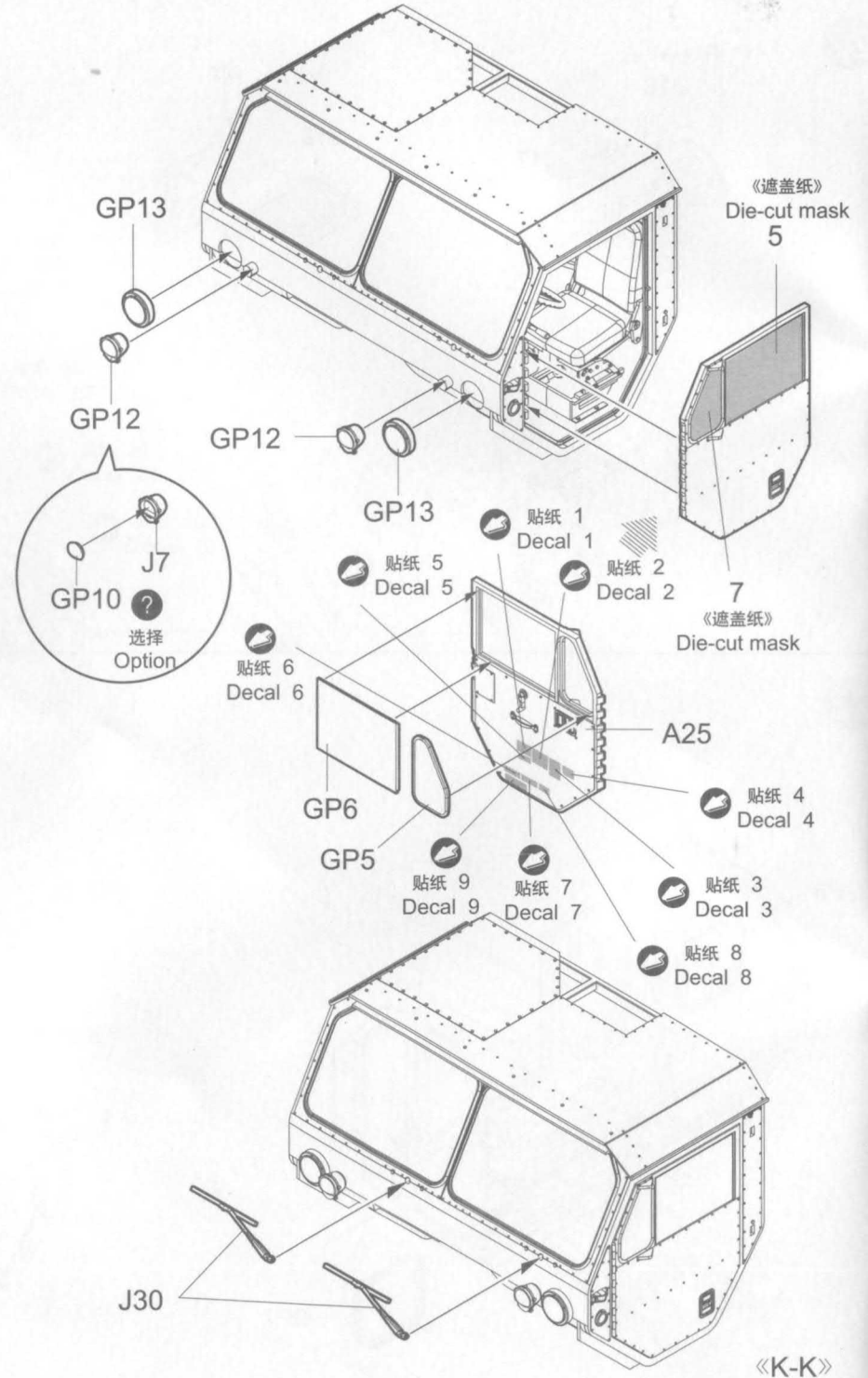
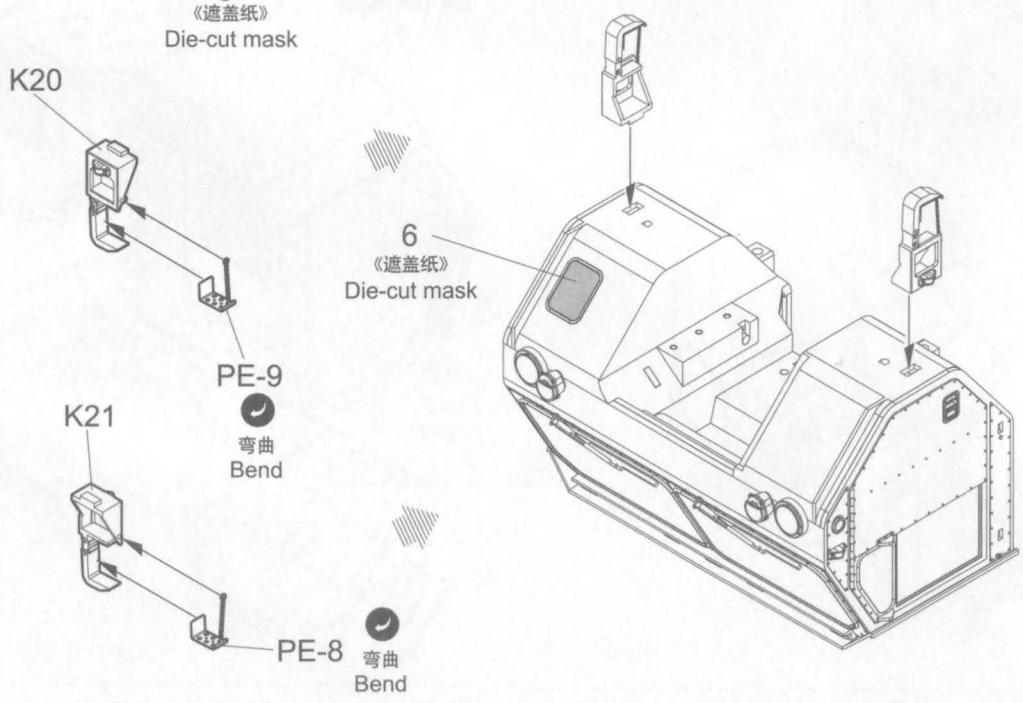
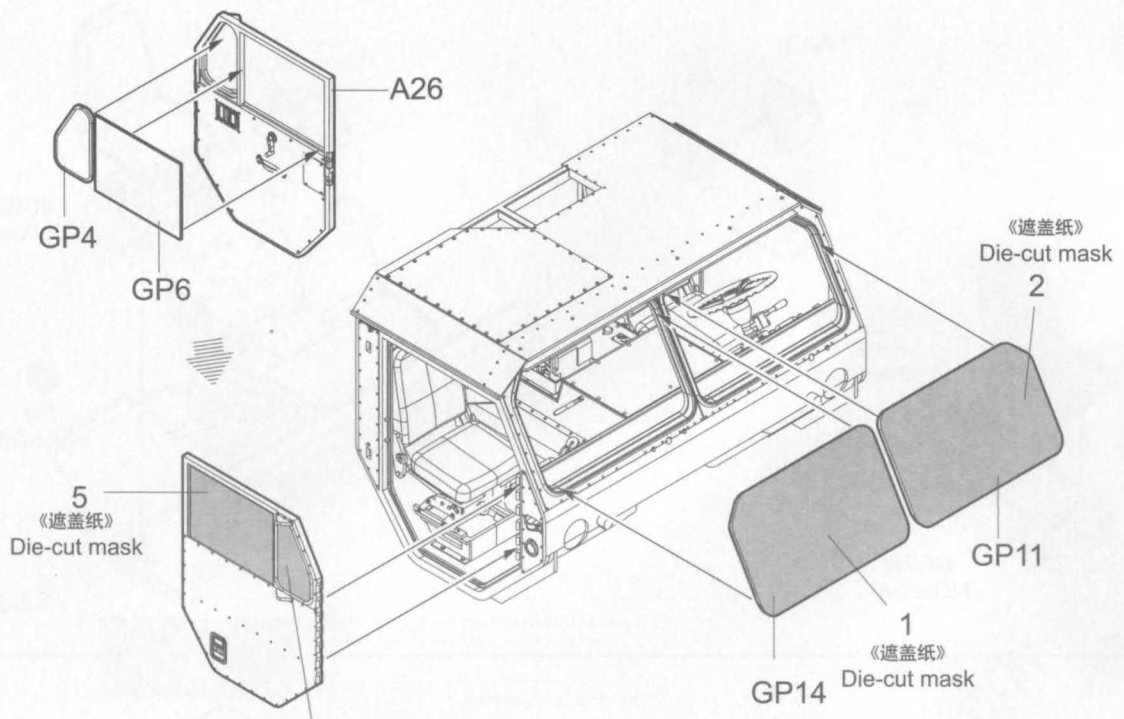


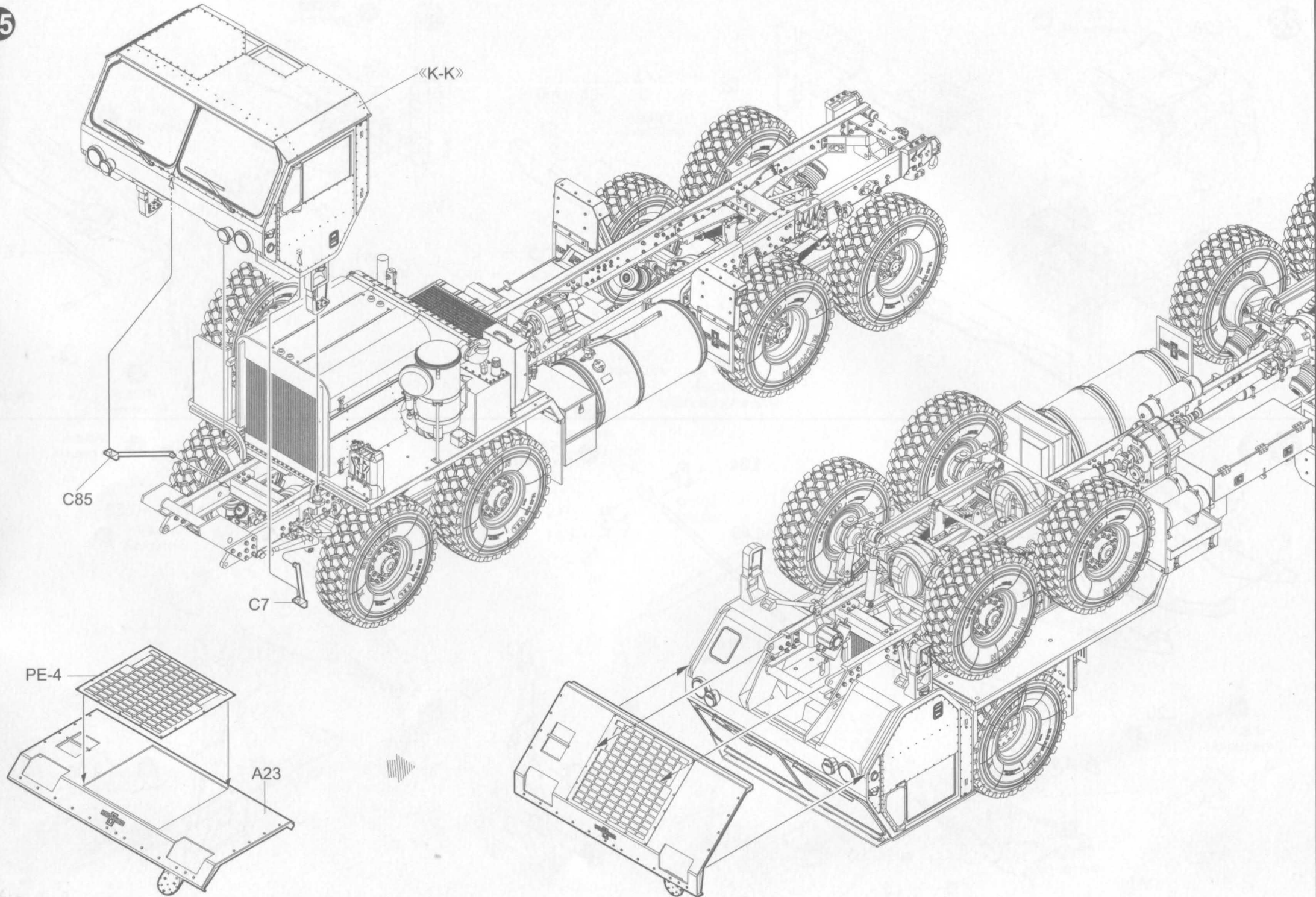
22



23







«K-K»

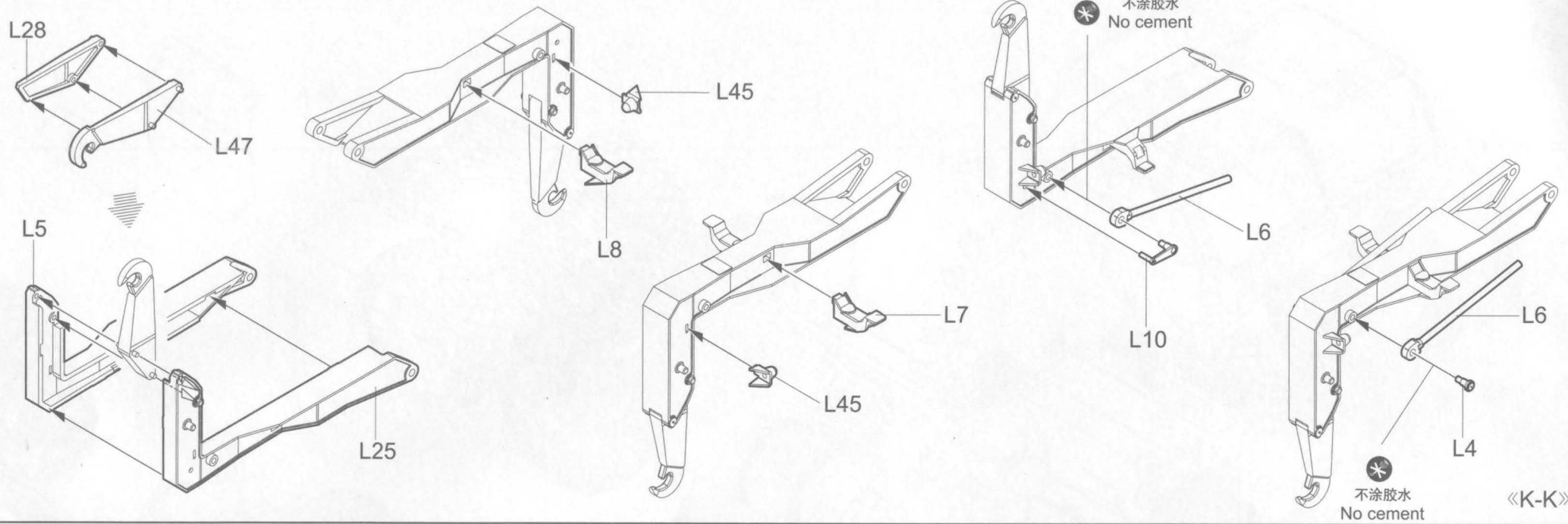
C85

C7

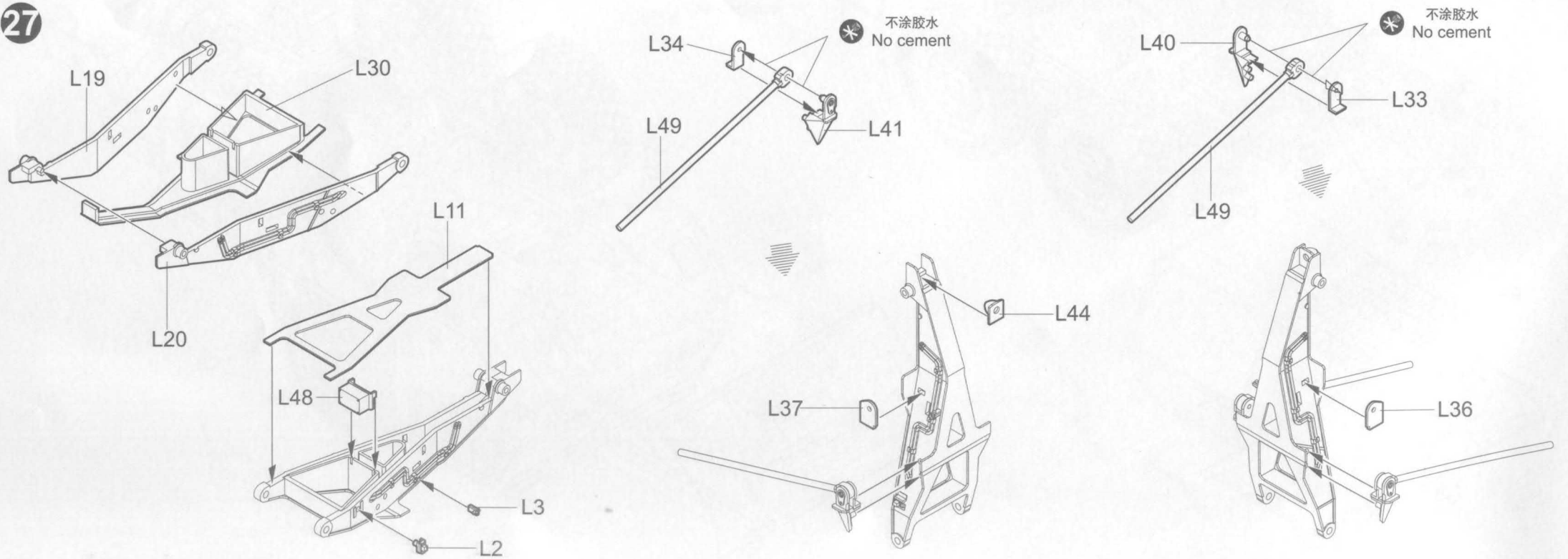
PE-4

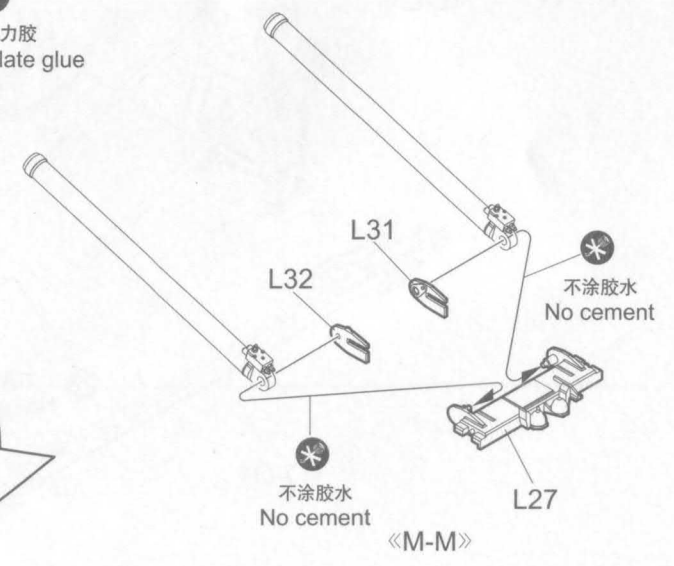
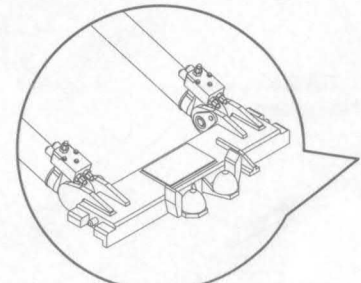
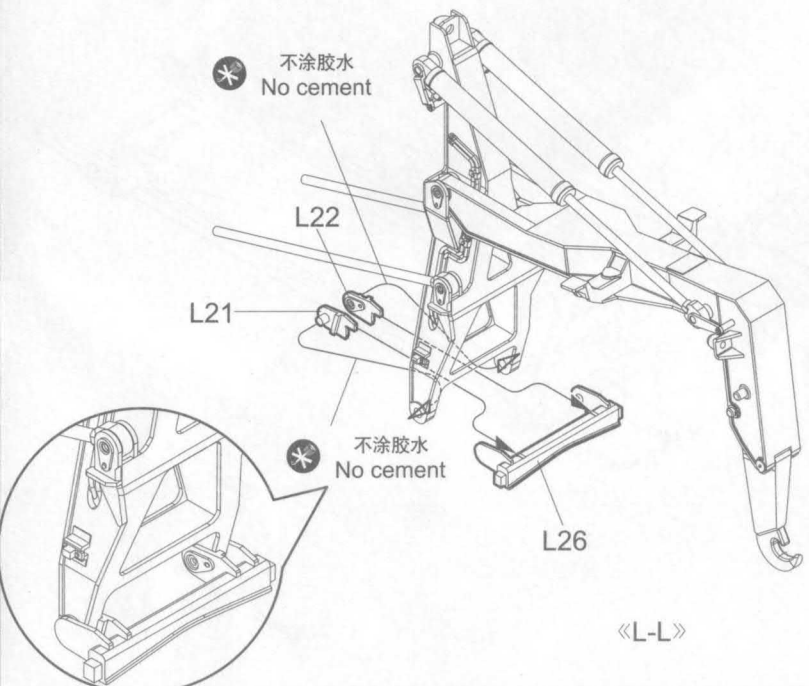
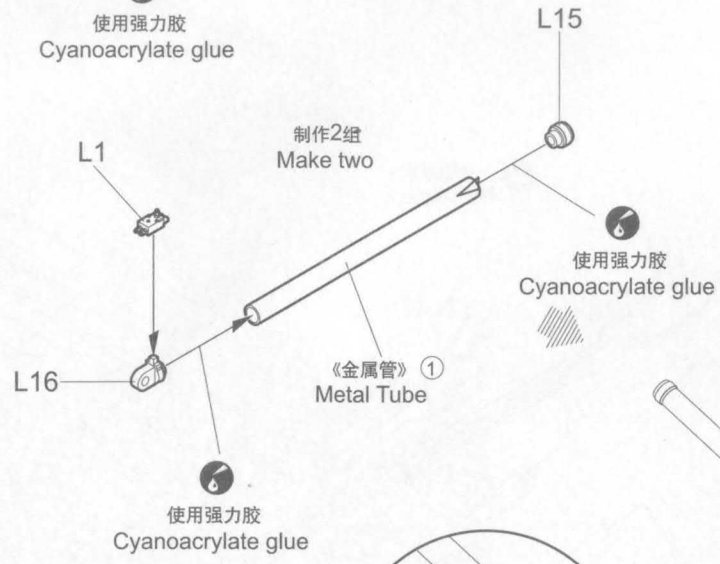
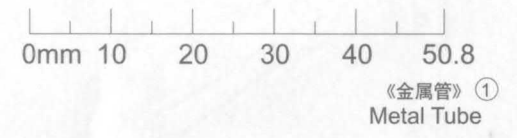
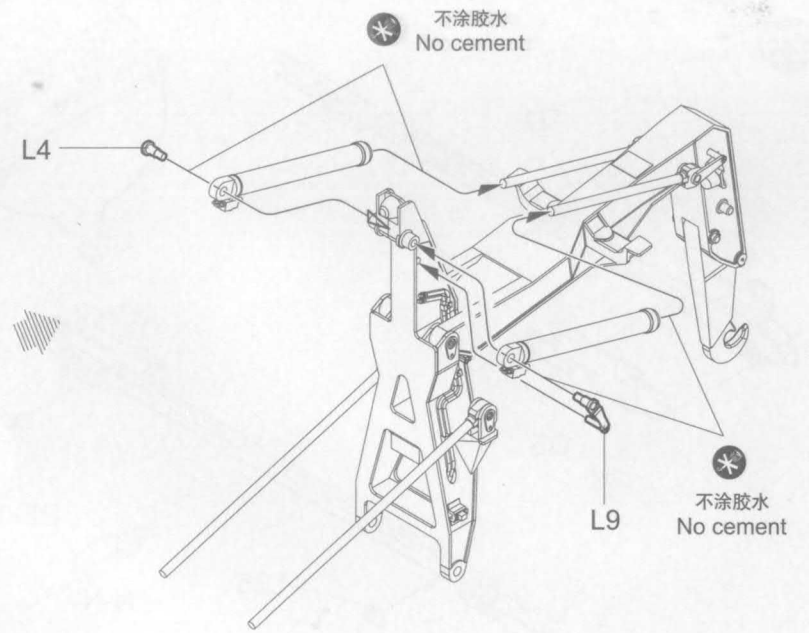
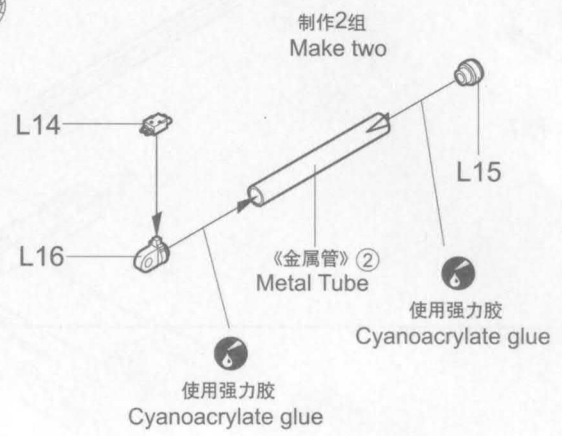
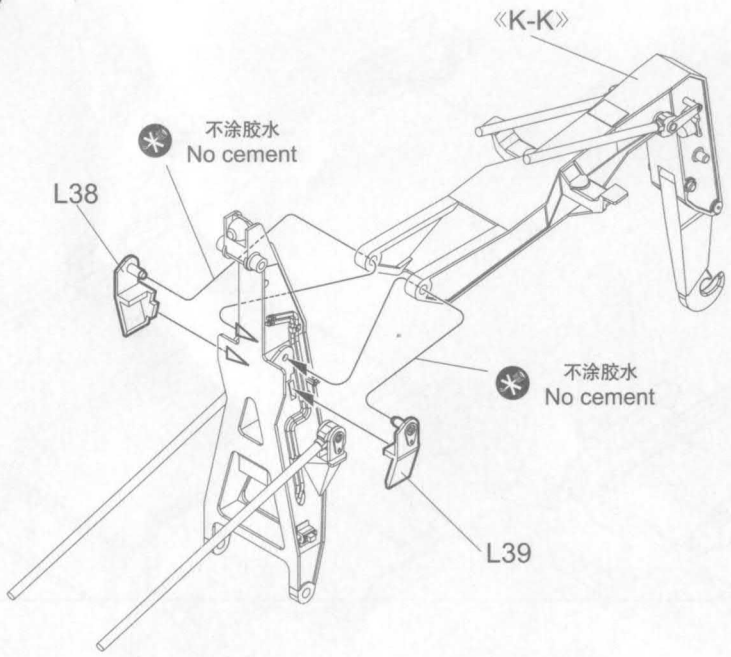
A23

26

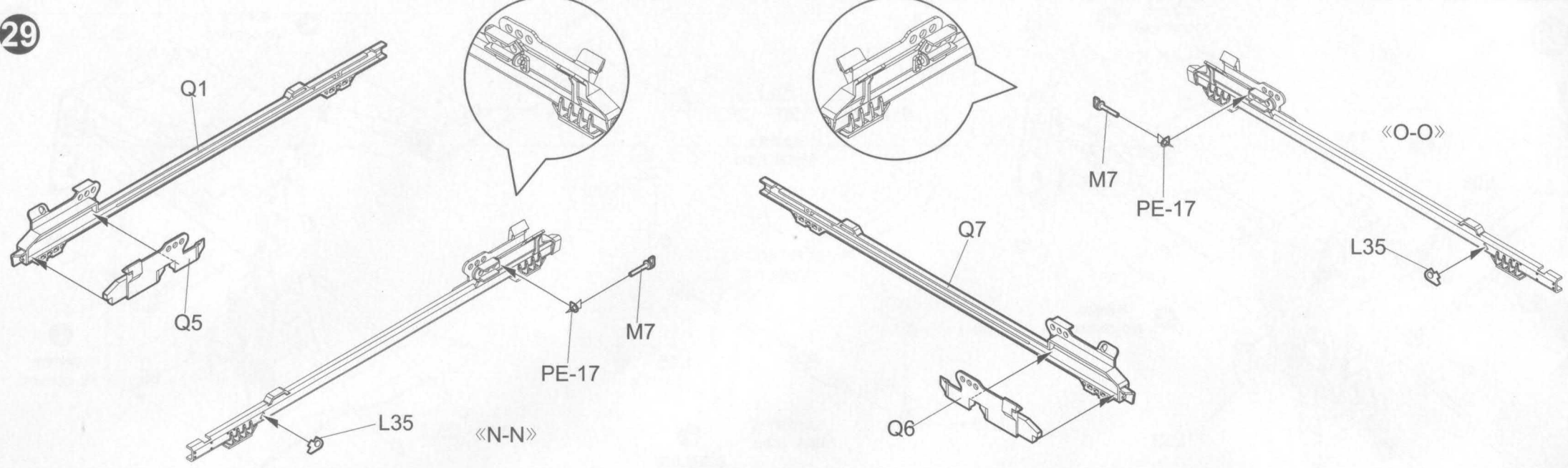


27

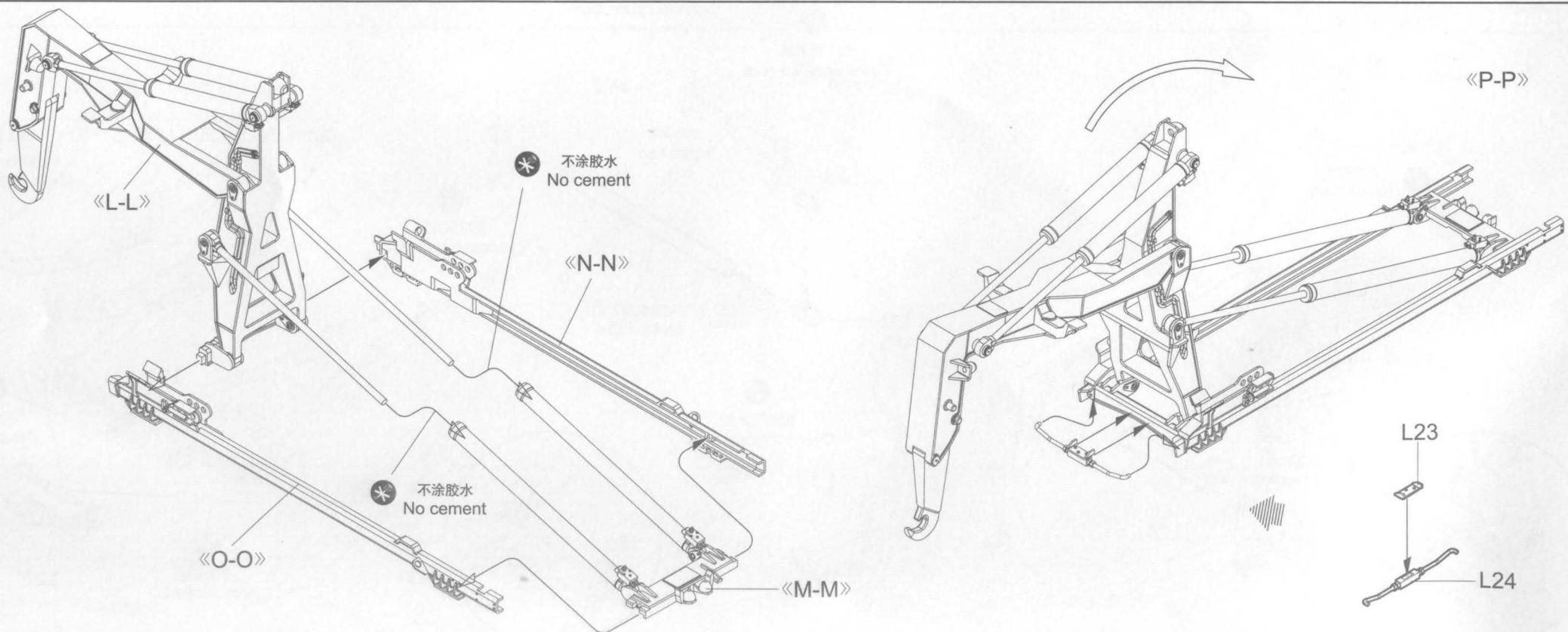


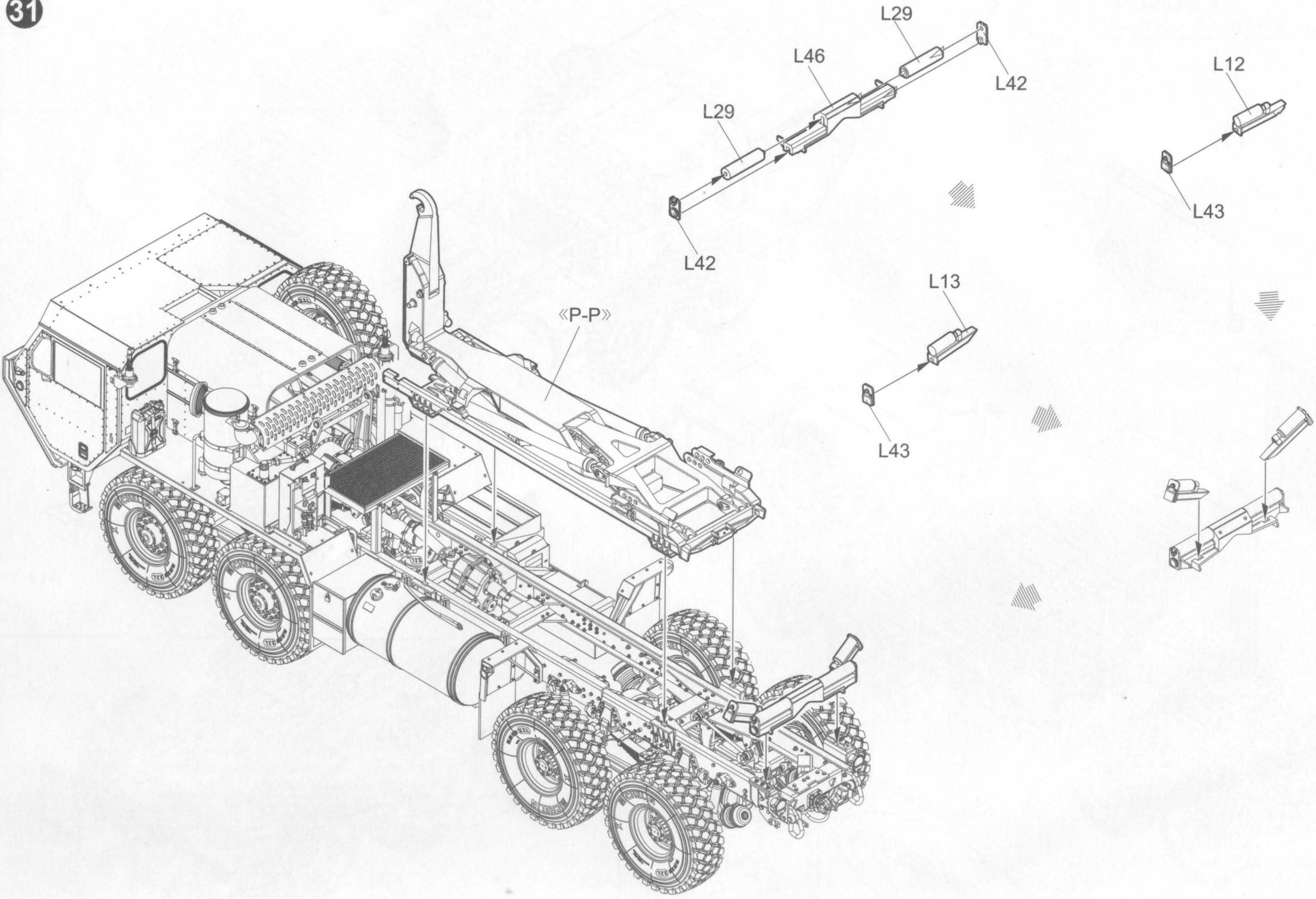


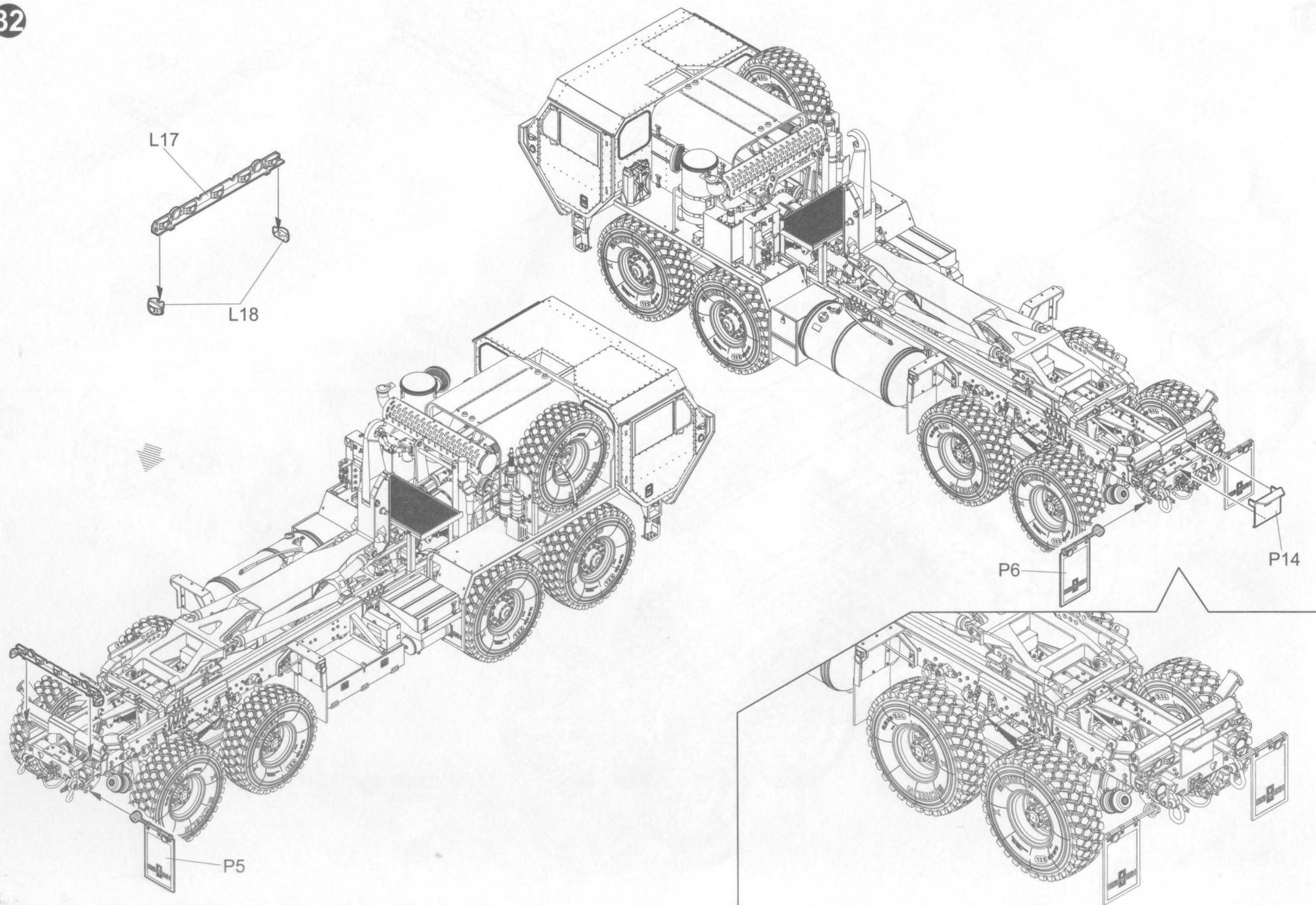
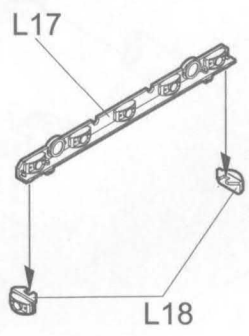
29

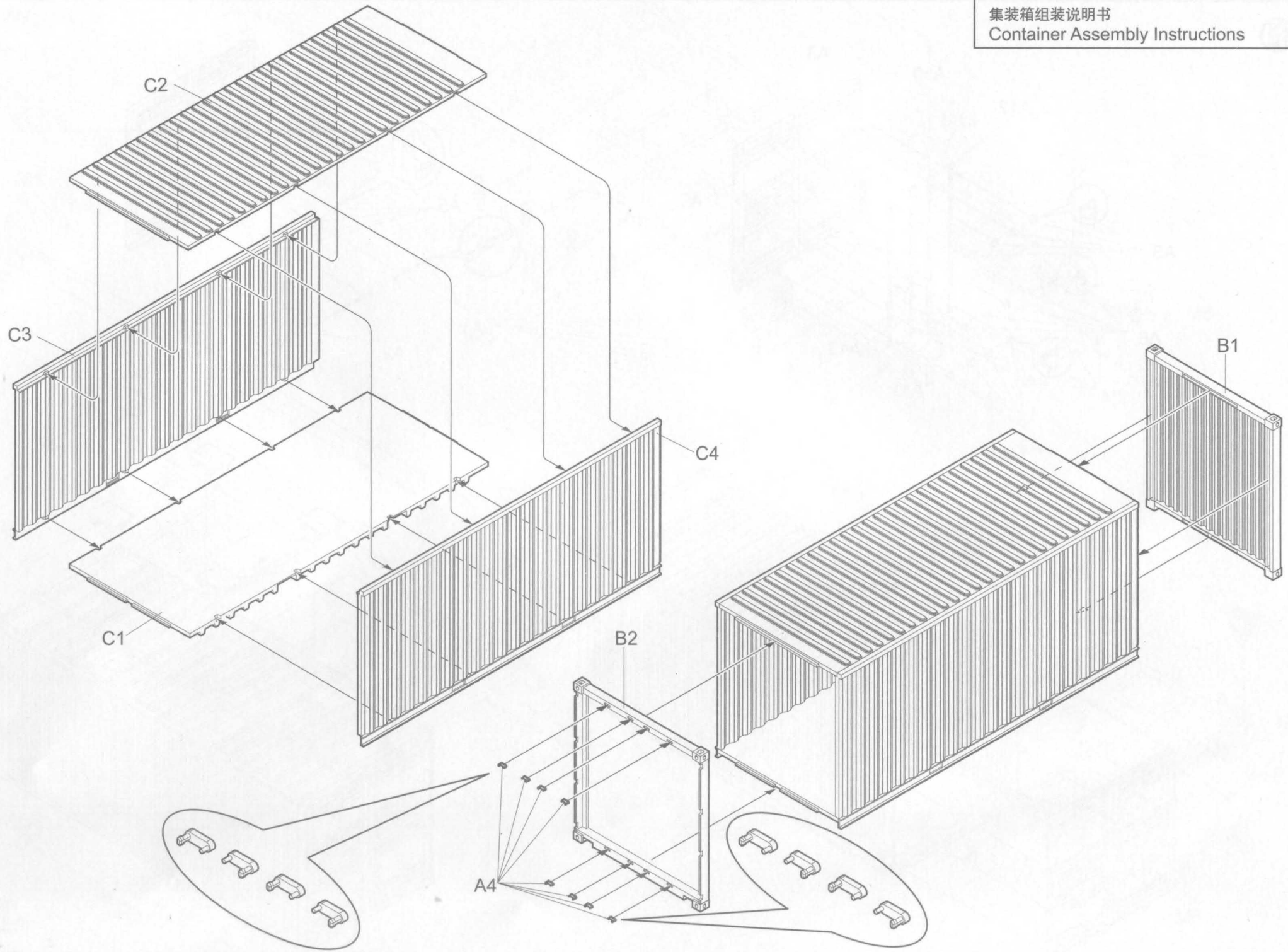


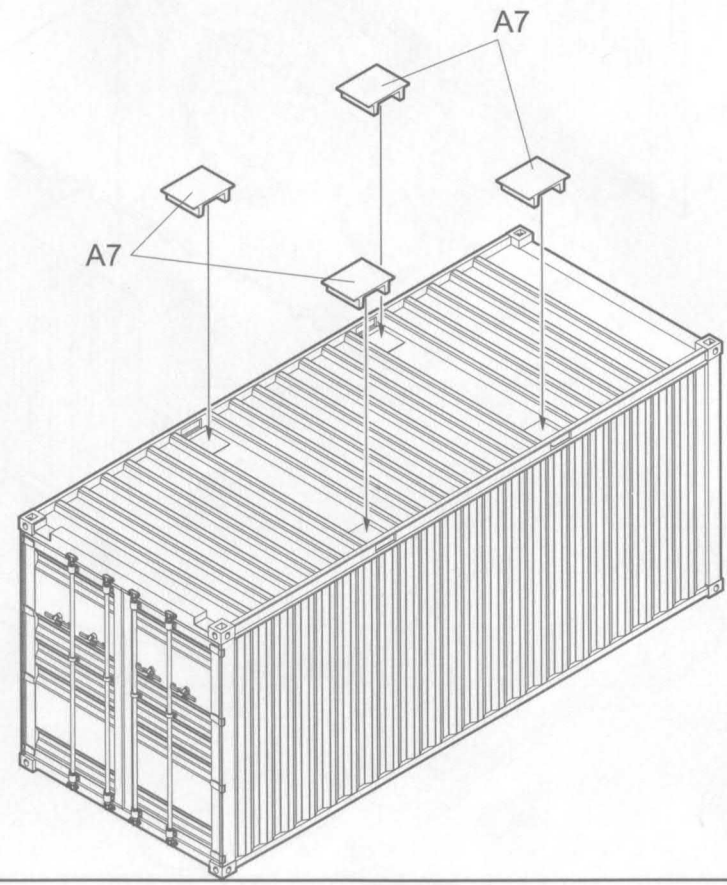
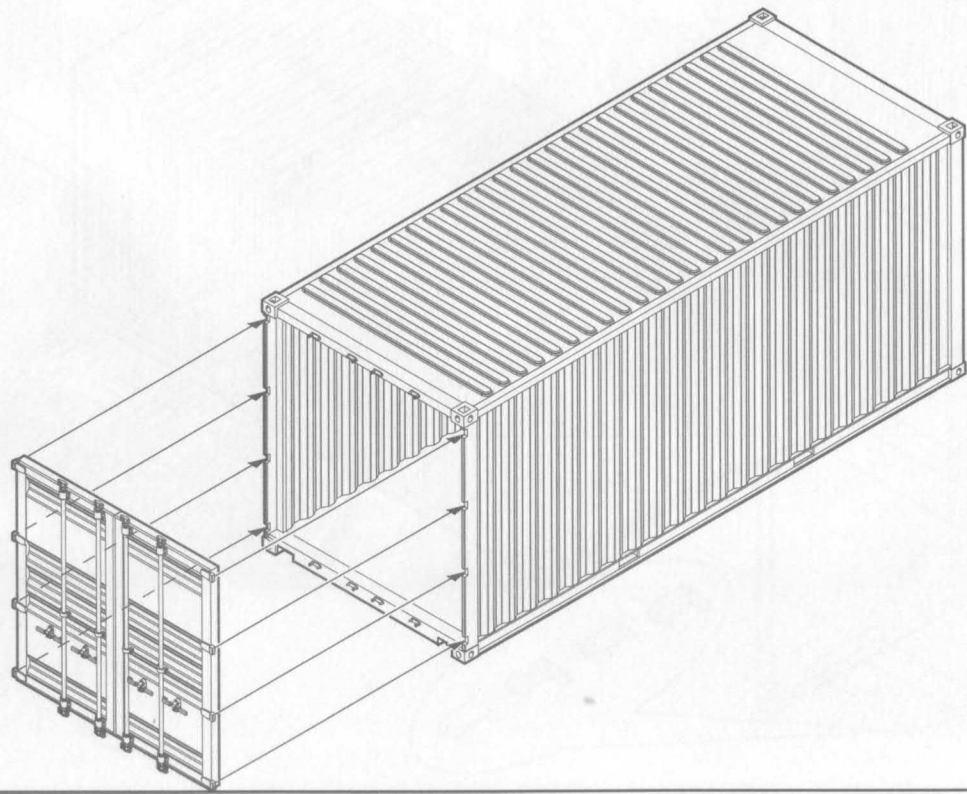
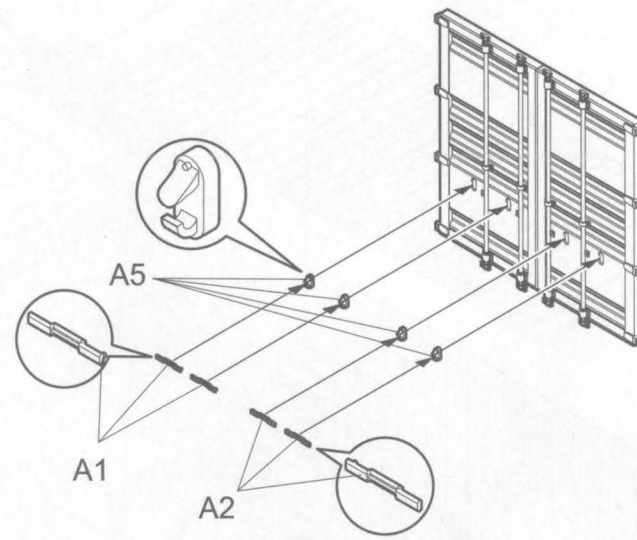
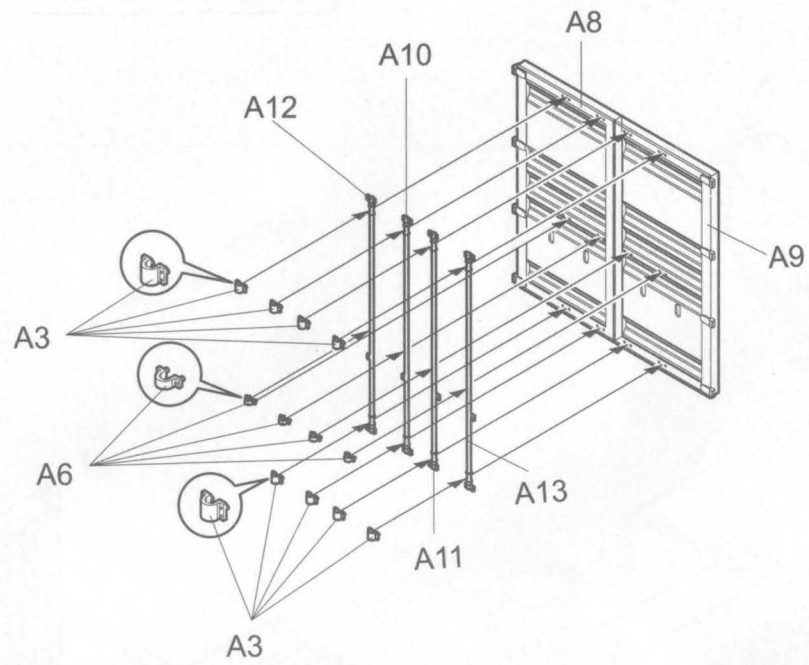
30

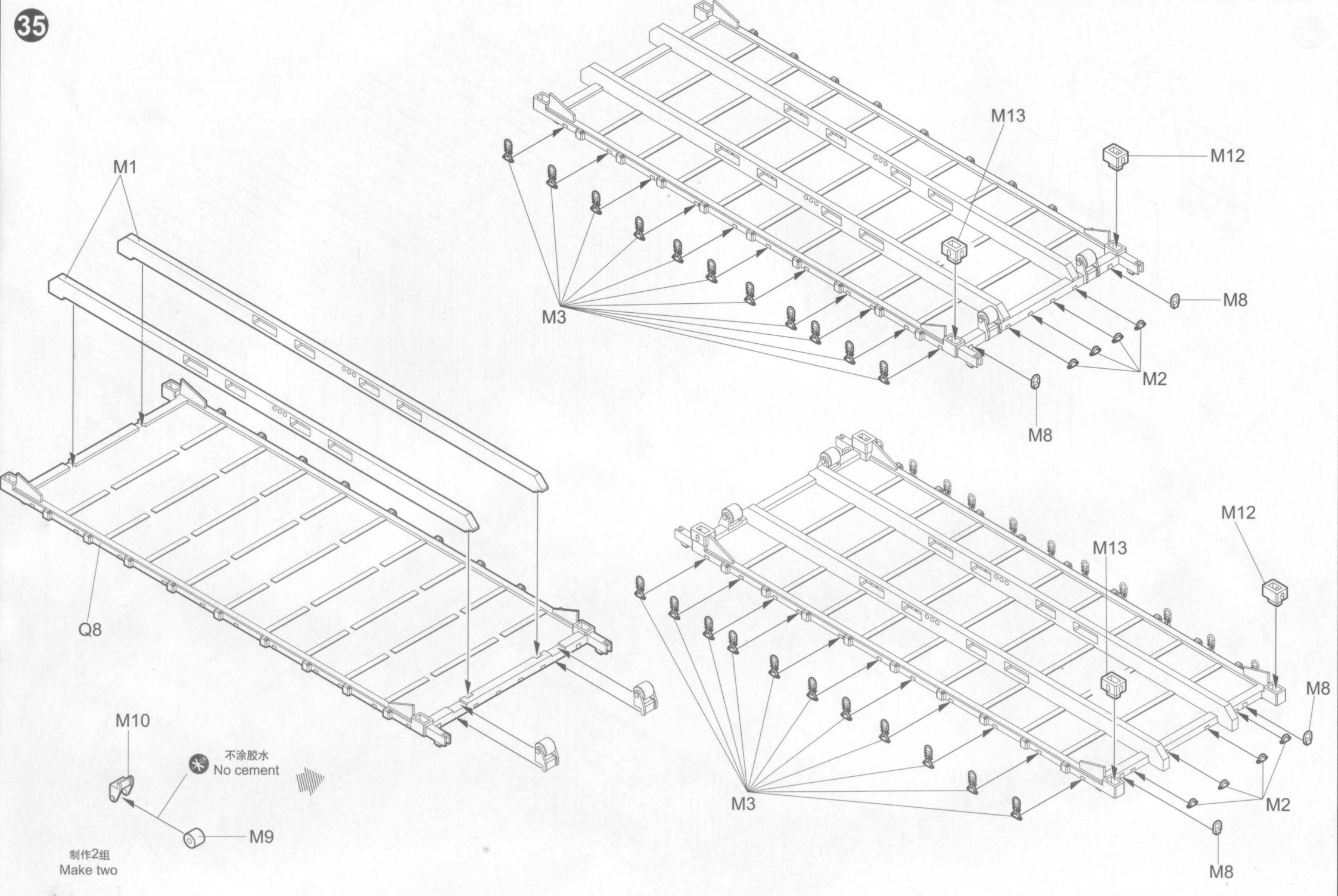


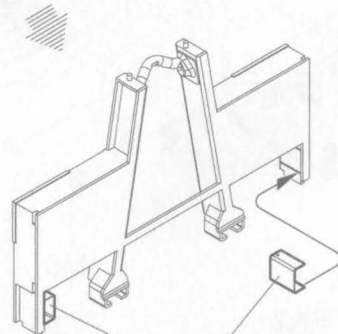
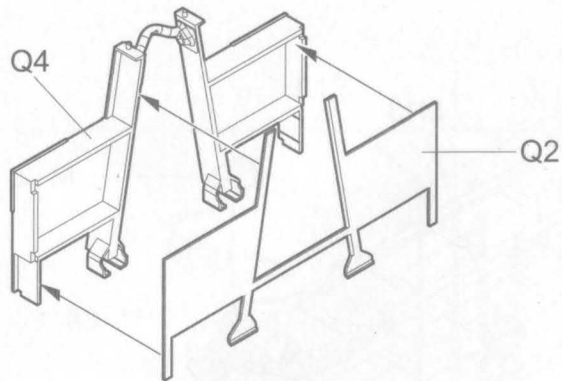




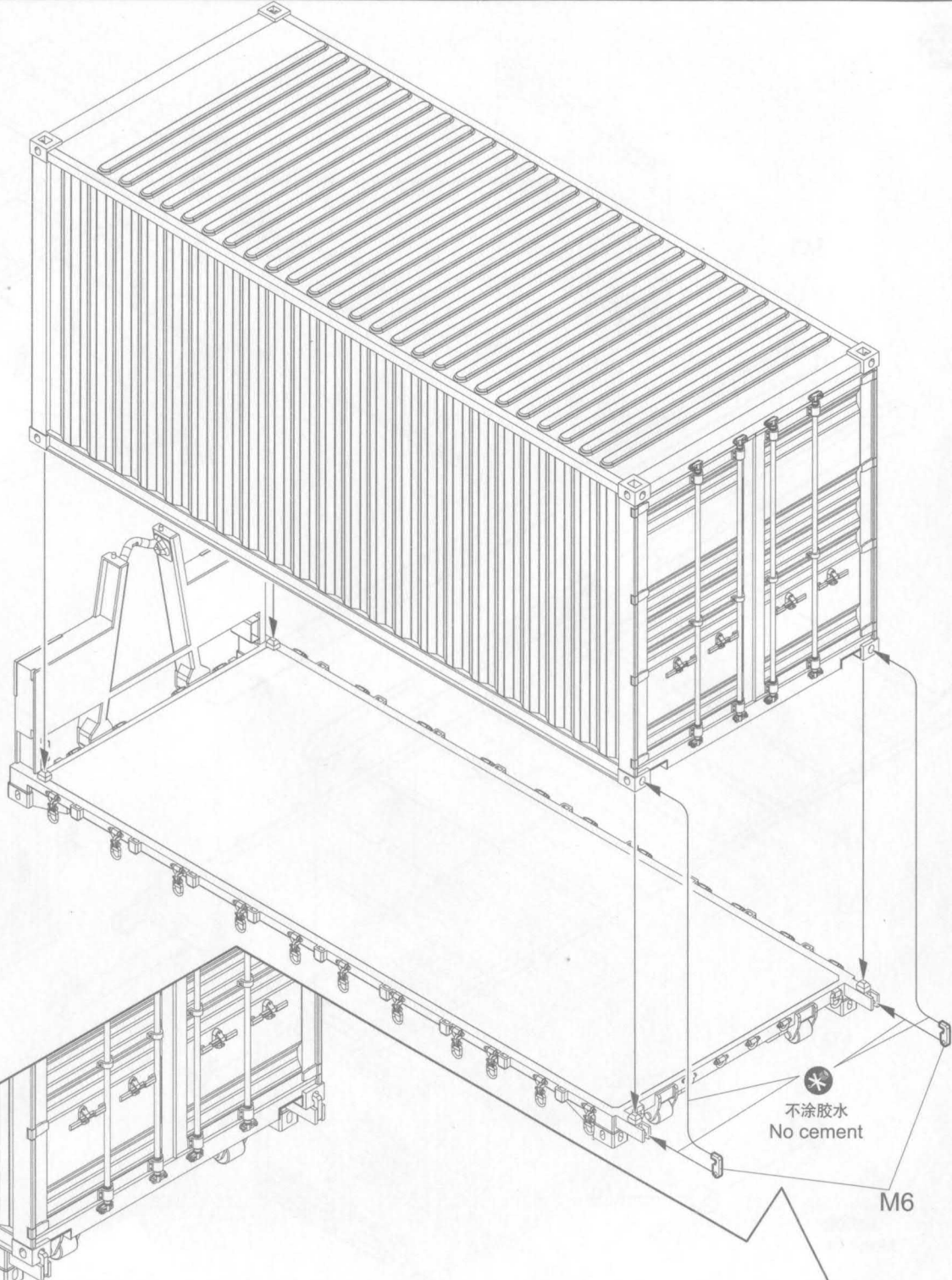




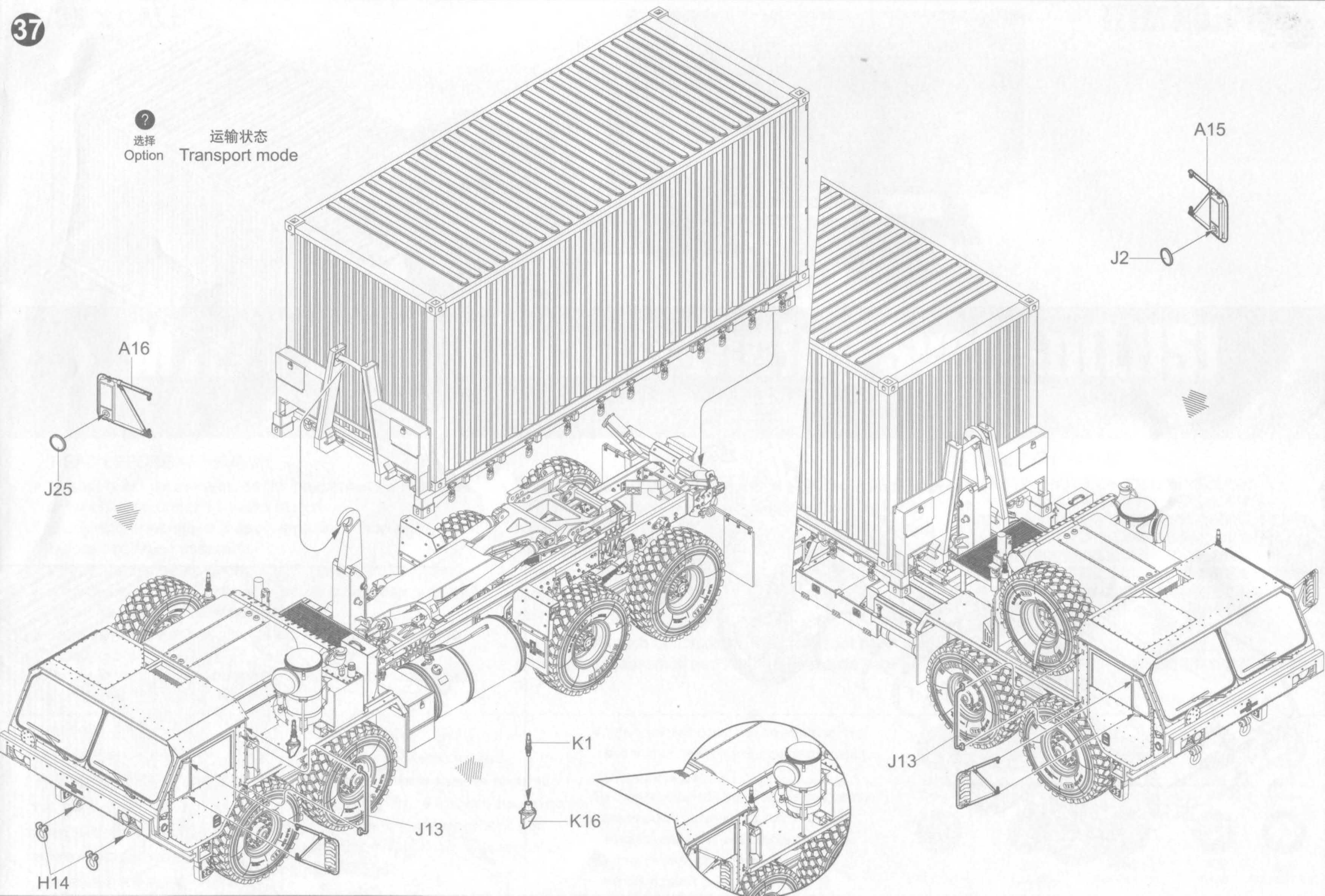




PE-7
弯曲
Bend



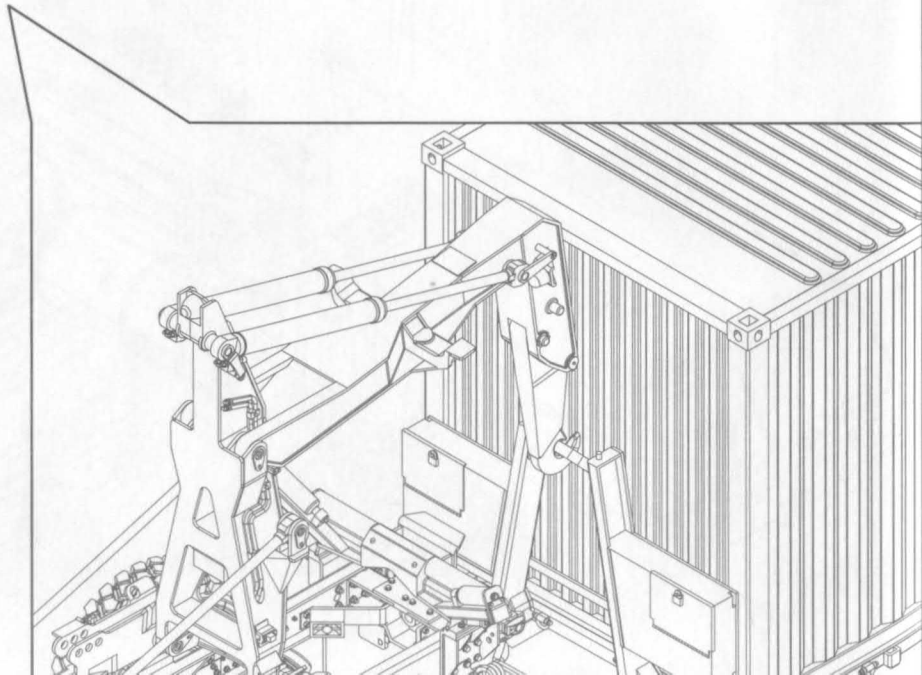
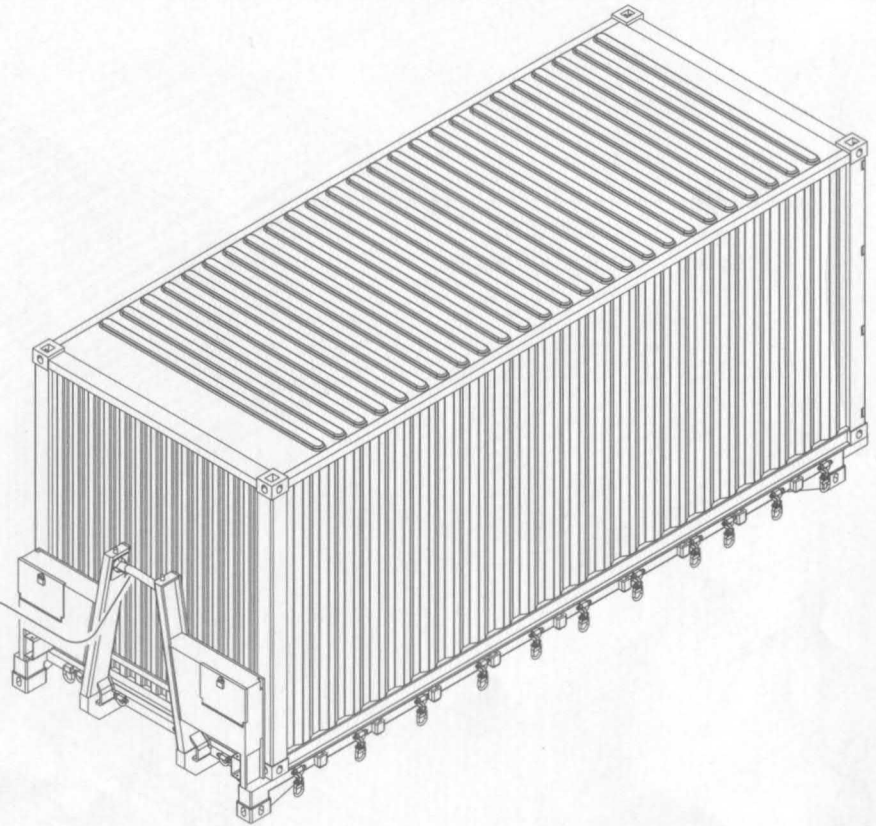
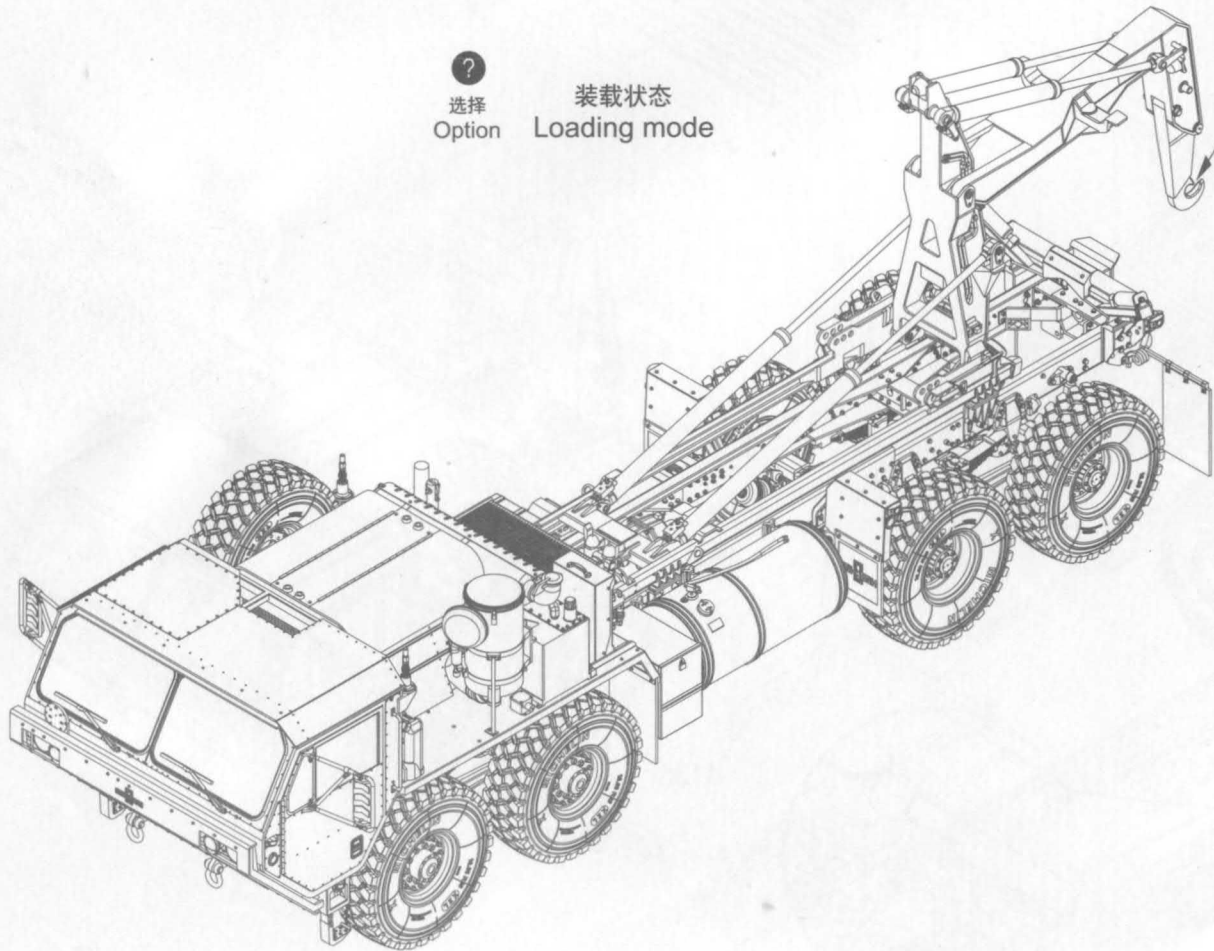
②
选择
Option
运输状态
Transport mode





选择
Option

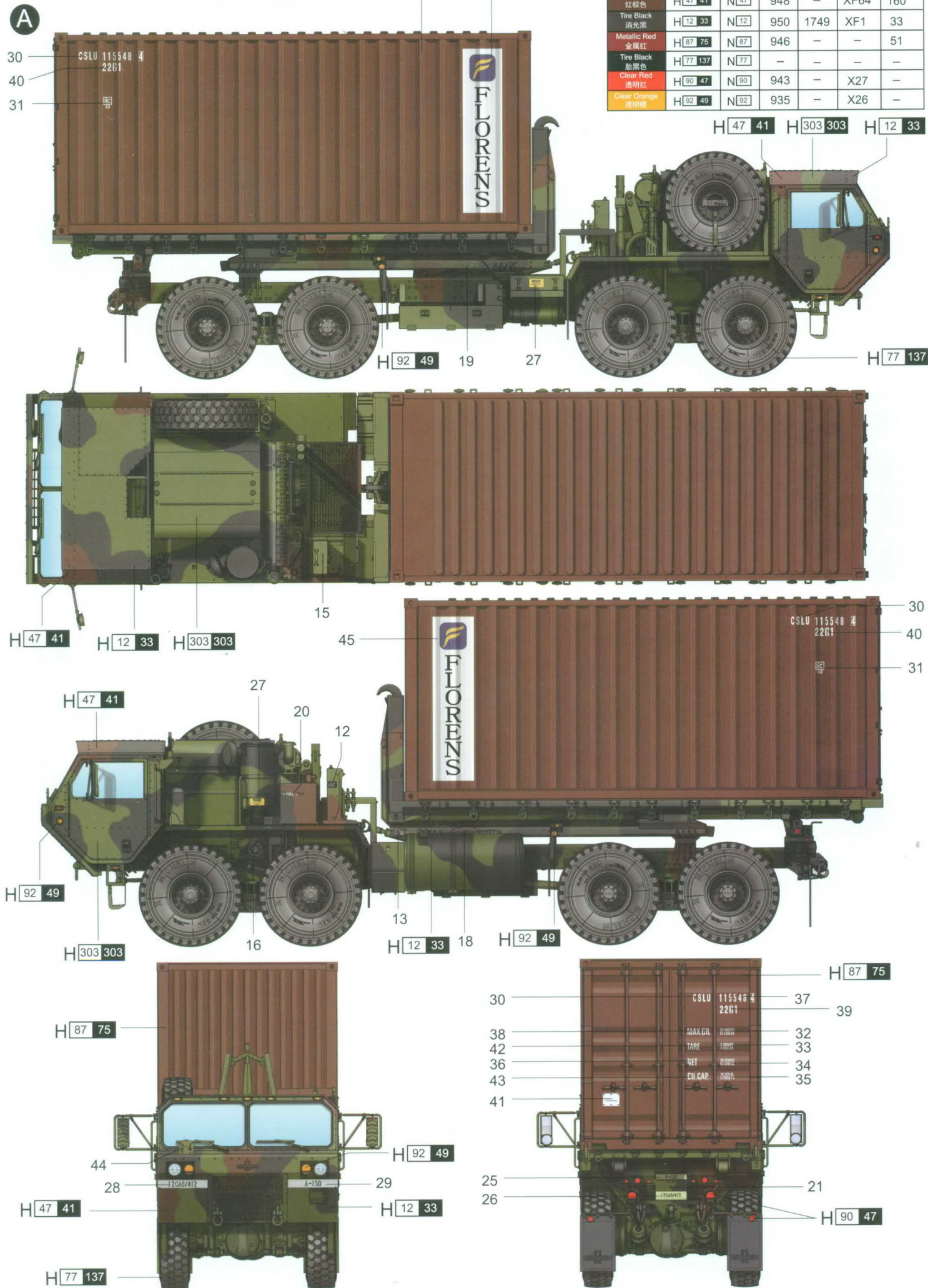
装载状态
Loading mode



涂装同标贴指示 Painting & Marking guide

PAINT REFERENCE COLOUR

Color	Mr.Hobby	Acrycion	Vallejo	Model Master	Tamiya	Humbrol
Light Green 浅绿色	H 303 303	N 303	—	1713	XF20	117
Red Brown 红棕色	H 47 41	N 47	948	—	XF64	160
Tire Black 消光黑	H 12 33	N 12	950	1749	XF1	33
Metallic Red 金属红	H 87 75	N 87	946	—	—	51
Tire Black 胎黑色	H 77 137	N 77	—	—	—	—
Clear Red 透明红	H 90 47	N 90	943	—	X27	—
Clear Orange 透明橙	H 92 49	N 92	935	—	X26	—



涂装同标贴指示 Painting & Marking guide

PAINT REFERENCE COLOUR

Color	Mr.Hobby	Acrycion	Vallejo	Model Master	Tamiya	Humbrol
Sand Yellow 沙黄色	H[79] 39	N[79]	824	—	XF59	93
Tire Black 胎黑色	H[77] 137	N[77]	—	—	—	—
Clear Red 透明红	H[90] 47	N[90]	943	—	X27	—
Clear Orange 透明橙	H[92] 49	N[92]	935	—	X26	—
Light Green 浅绿色	H[303] 303	N[303]	—	1713	XF20	117

B

