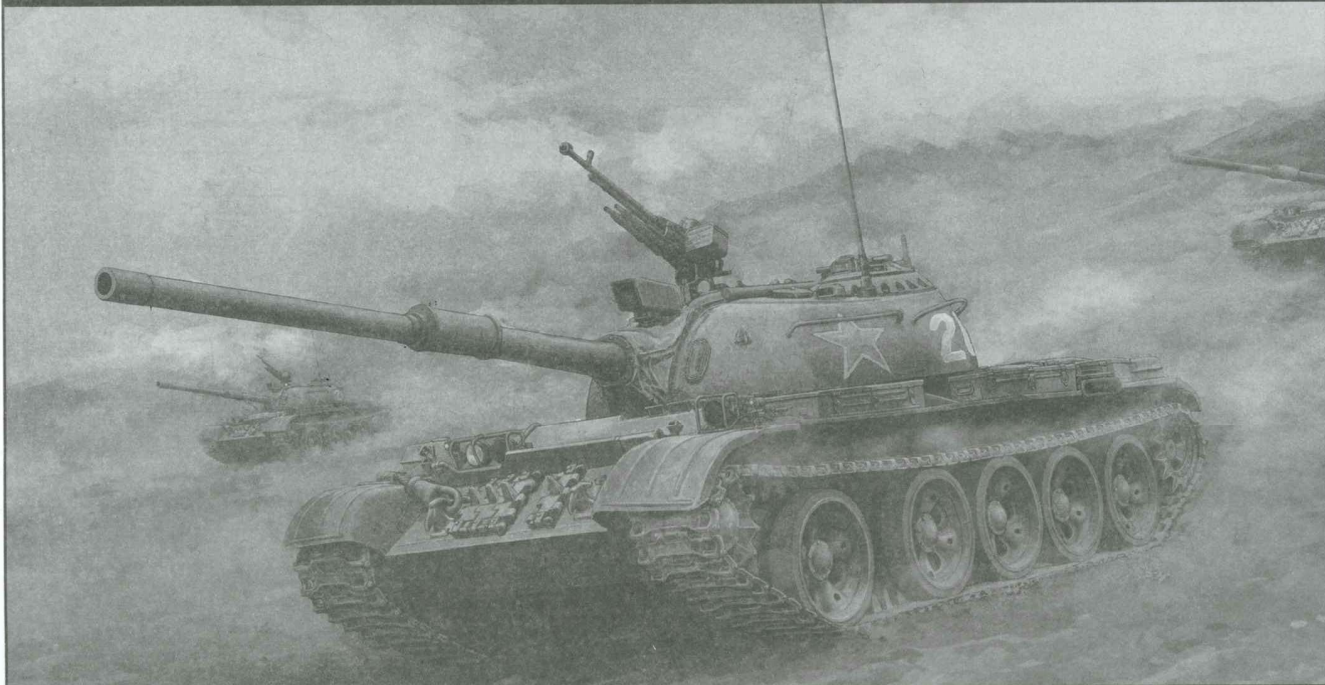


1:35 Scale

ITEM NO.:84540



PLA 59-2 Medium Tank

中国陆军 59-II式 中战车

中国59-2式中型坦克

PLEASE READ BEFORE OPERATION!

- * Tools recommended as below: (Not included)
Adhesives; Paints; Side Cutters; Sharp Edged Pliers; Modeling Knife; Modeling File; Nippers; Drill; Scissors; Sand Paper; Soft Cloth; Cyanoacrylate Glue.
- * Make sure to read this instruction listed below before assembling.
- * The kit contains the small parts, they can be dangerous if swallowed by mistake, so keep them away from reach of children.
- * Cut the all parts off carefully and remove the waste parts into the garbage can.
- * More caution and care should be needed for cutting and handling the photo etched parts.
- * Make attention that some parts should be attached the decal when assembled.
- * During assembling, please tear up and throw away the plastic bags, or may cause the dangerous if wearing over head by children's mistake.
- * When using the adhesives and paints, please do not use them in the closed room or near the fire, also must be very careful to protect your eyes, face and clothes.
- * Adult supervised when assembled by children under 14 years old.

装配前请仔细阅读:

- * 推荐使用的模型工具(请自备):
专用模型胶水, 专用模型油漆, 水口剪刀, 长咀钳, 刀片, 锉刀, 镊子钳, 钻, 剪刀, 软布, 砂纸, 瞬间快干胶等。
- * 用水口剪刀或刀片小心切下所有塑胶零件和蚀刻片零件, 不要遗失小零件。
- * 切取蚀刻片时应特别注意防止利边划伤手指。
- * 用模型锉刀小心锉平所有零件表面的注射浇口。
- * 用适量的强力快干胶水粘合蚀刻片零件和金属轴, 切忌过量, 否则可能导致可动零件被粘住。
- * 注意某些零件表面需在装配时同步贴上水贴纸。
- * 制作时应远离幼儿并将包装袋及时收妥, 谨防小孩玩耍而引起意外。



强力胶

Cyanoacrylate glue



配重

Weight



钻孔

Make hole



切除

Cut /Remove



选择

Option



不涂胶水

No cement



贴纸

Decal



弯曲

Bend



填补

Repair



先装

Install it first



锉平

File / Sand

The method to apply the decals

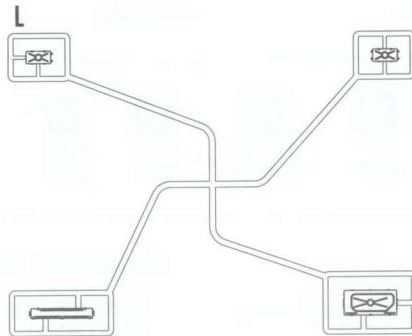
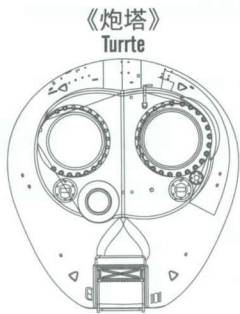
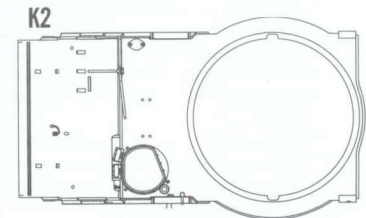
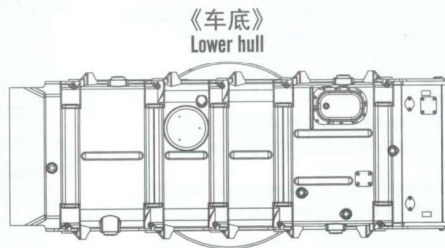
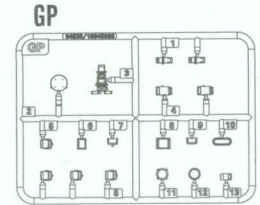
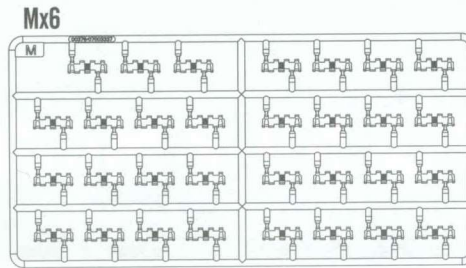
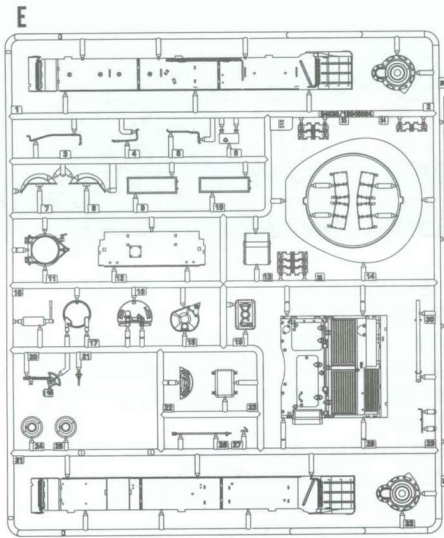
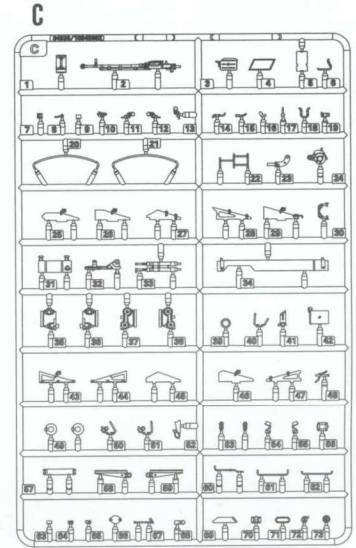
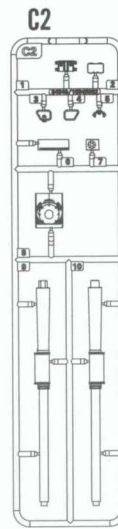
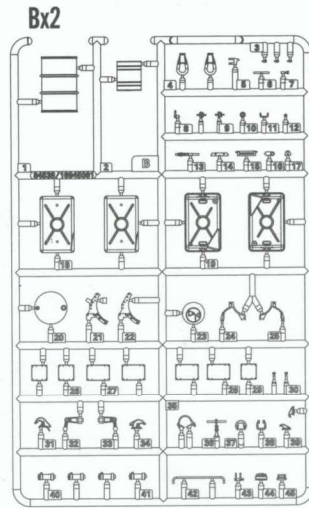
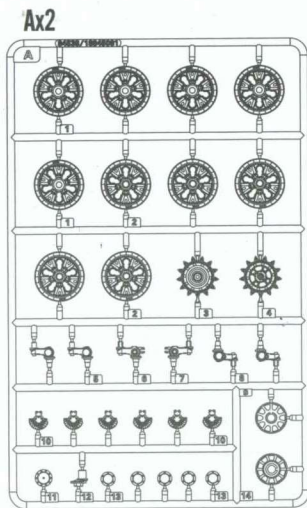
1. Cut off the decal from the decal paper and put it into the warm water 40°C for 10 seconds.
2. Take the decal from the water and put it on a piece of clean cloth.
3. Remove the decal slowly from the paper to the targeted location by a wet finger.
4. Use a piece of dry and soft cloth to press it gently on the decal until it getting dry and no bubble existing.

水贴纸的使用方法:

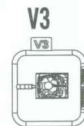
- 一. 把相关的印花从水贴纸上剪下, 放入40°C左右的温水中浸10秒。
- 二. 然后将印花放在干净的布上。
- 三. 拿上印花纸板, 手指蘸水将印花移到适当的位置。
- 四. 用干软布轻压印花直至水干, 气泡消失。

* 说明书中含有重要信息, 应保留! Please Keep instruction since it contains important information.

部品图
Parts



铜缆: 220mm
Brass wire

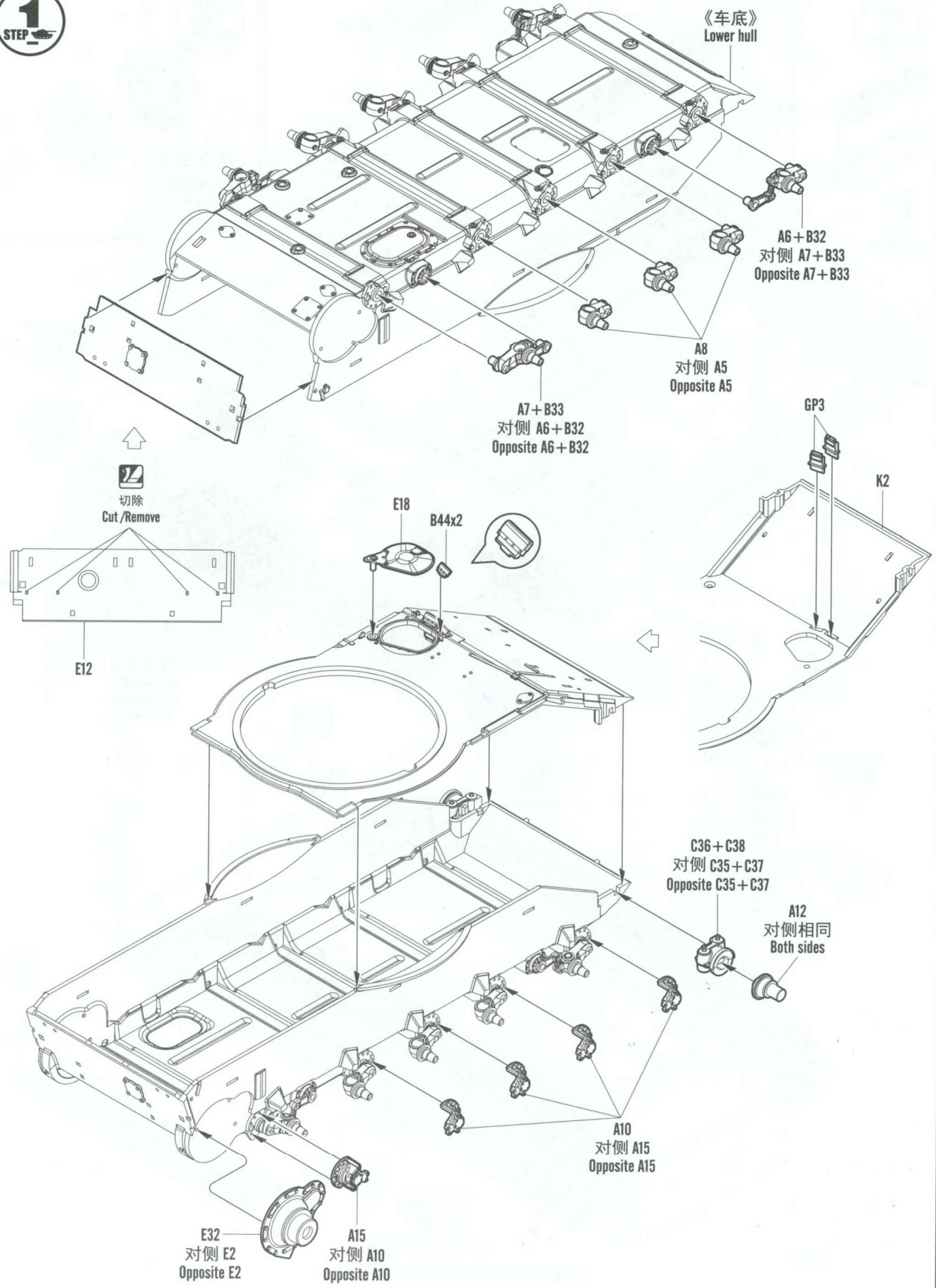


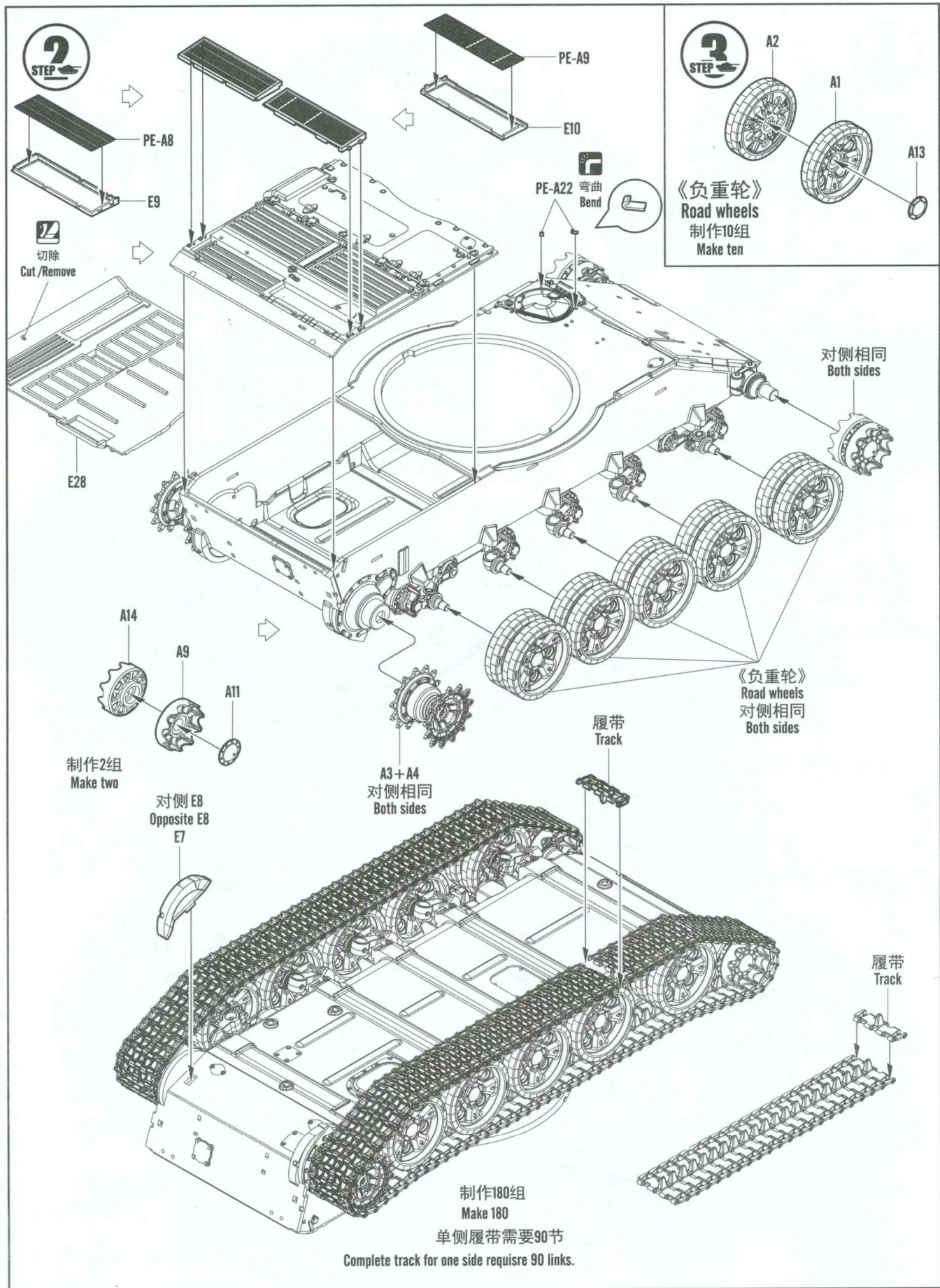
《水贴》
Decal



不用的部件: B1 B3 B7 B16 B20 B21 B22 B26 B27 B28 B29 B30 B40
Unused parts E21 E24 E33 E34 E35 E36 E37
GP5 GP7 GP10 GP12
PE-A18 PE-A26 PE-A27 PE-A29 PE-A31 PE-A32

1
STEP







钻孔
Make hole

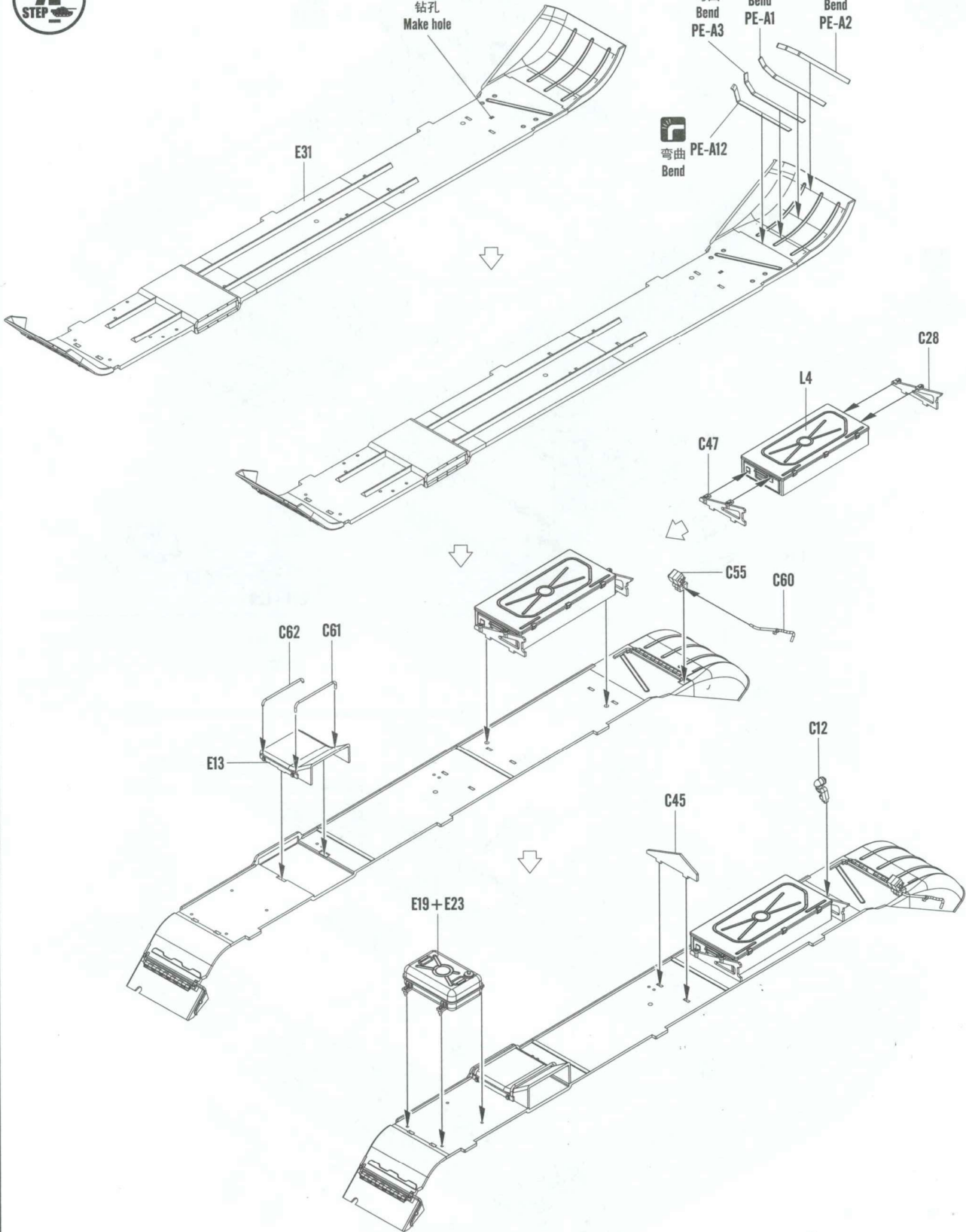
弯曲
Bend
PE-A3

弯曲
Bend
PE-A1

弯曲
Bend
PE-A2

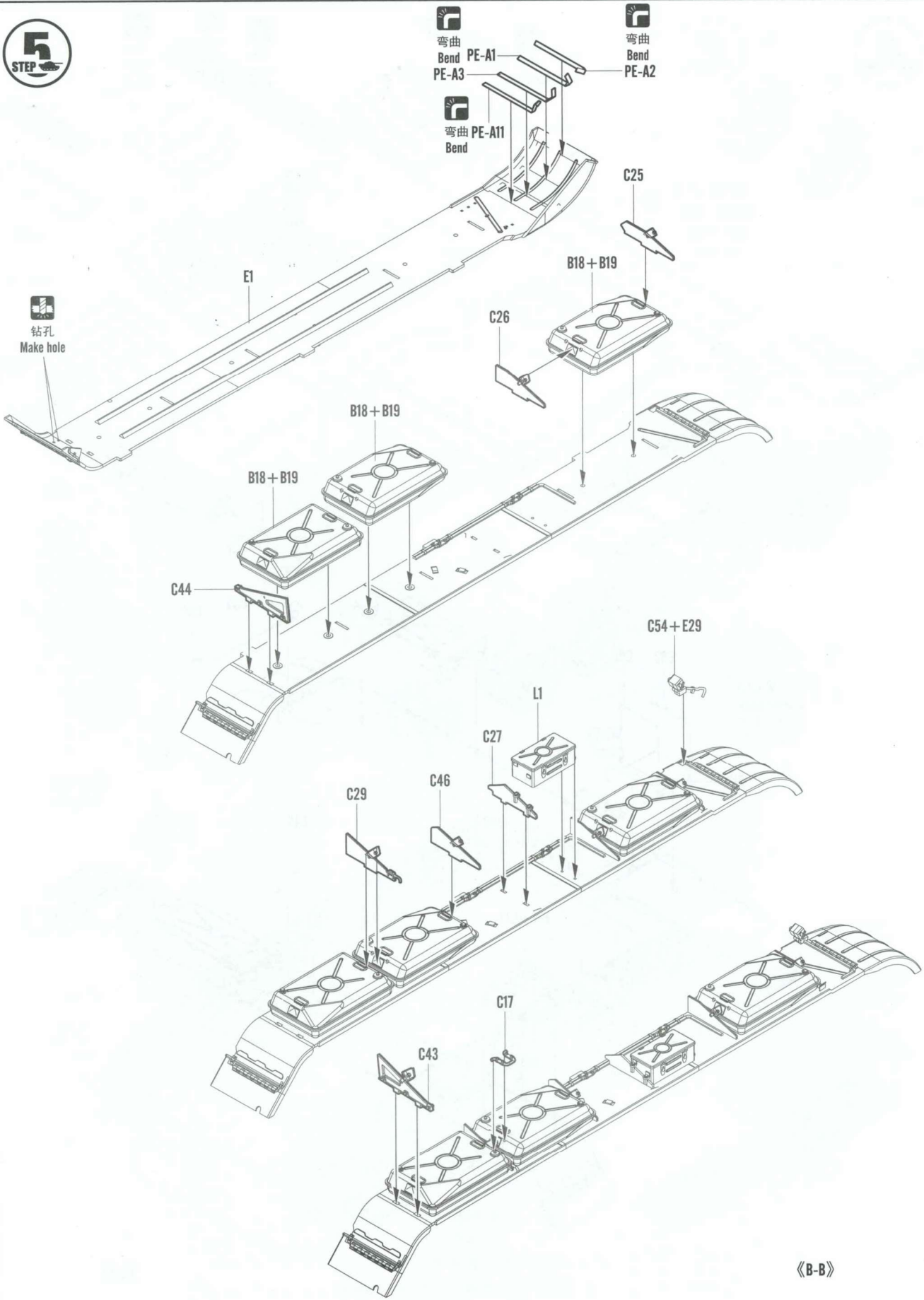
弯曲
Bend
PE-A12

E31

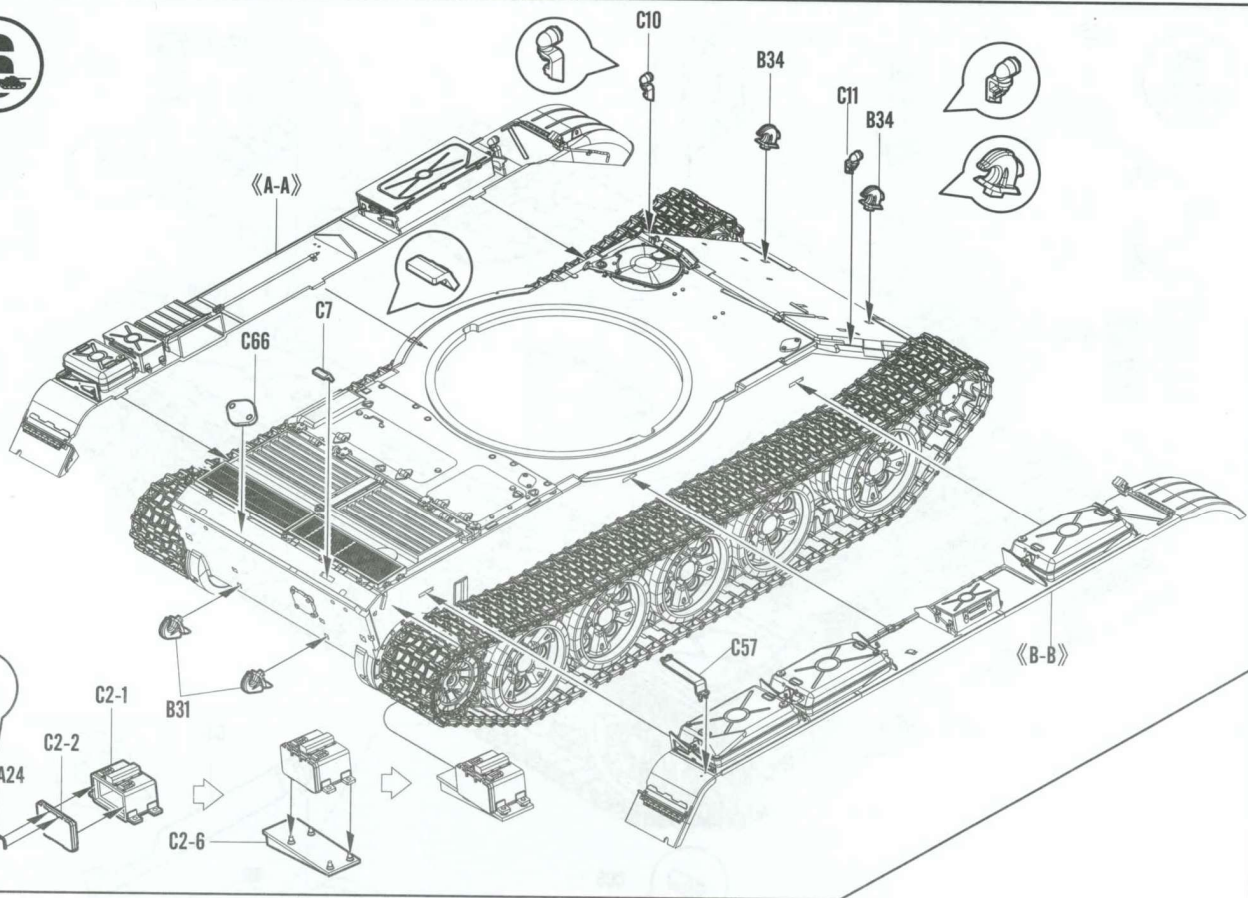


《A-A》

5
STEP

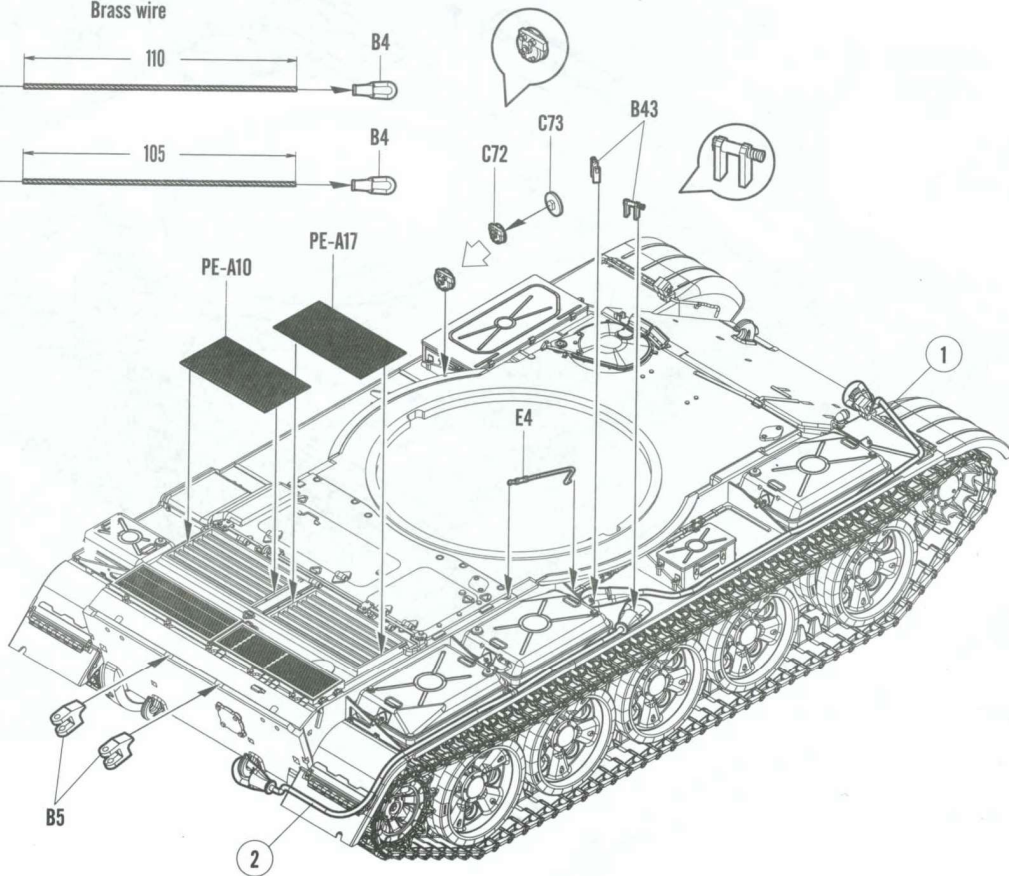
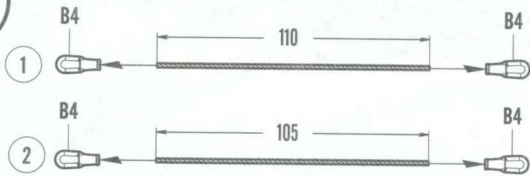


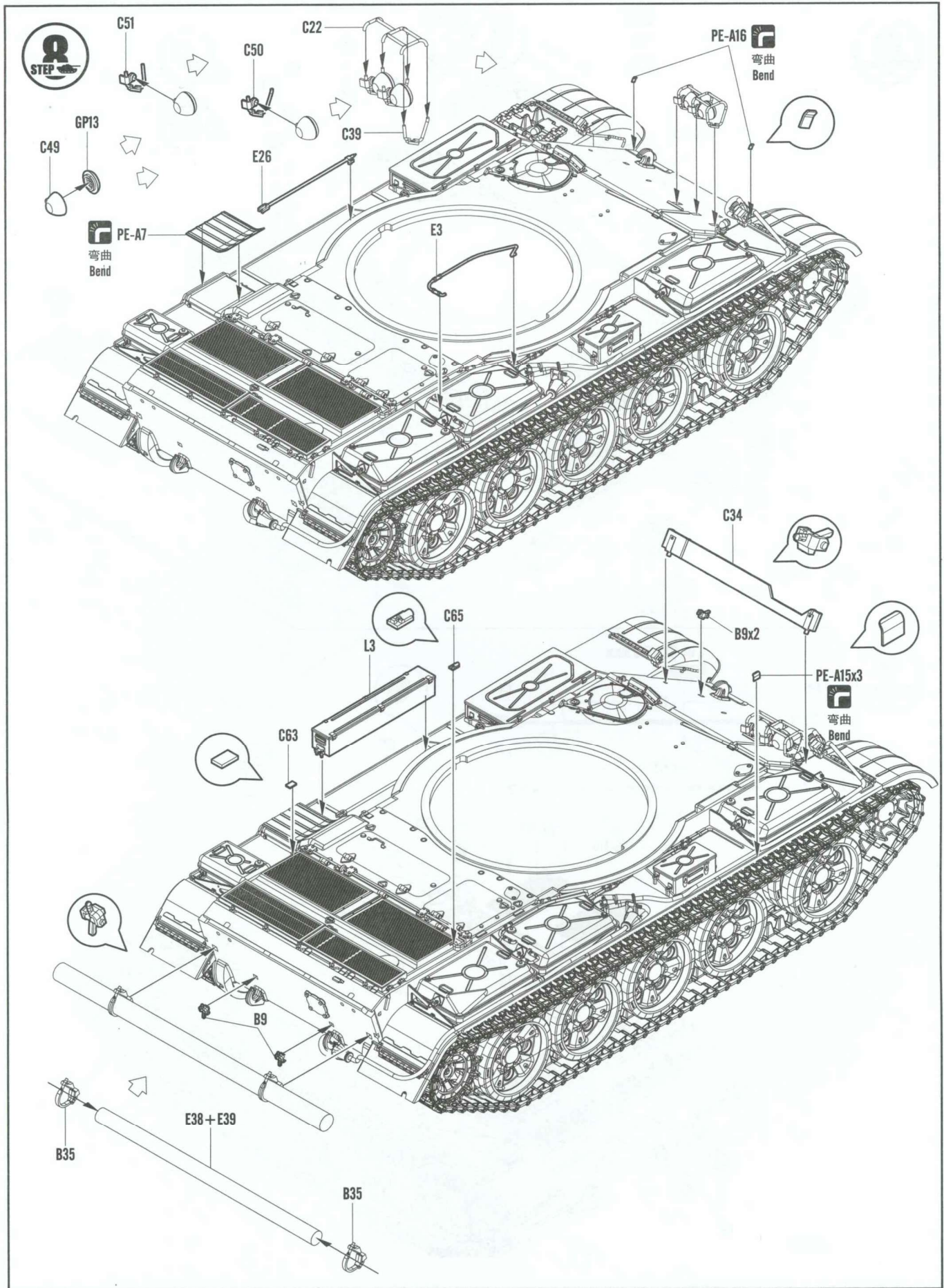
6
STEP



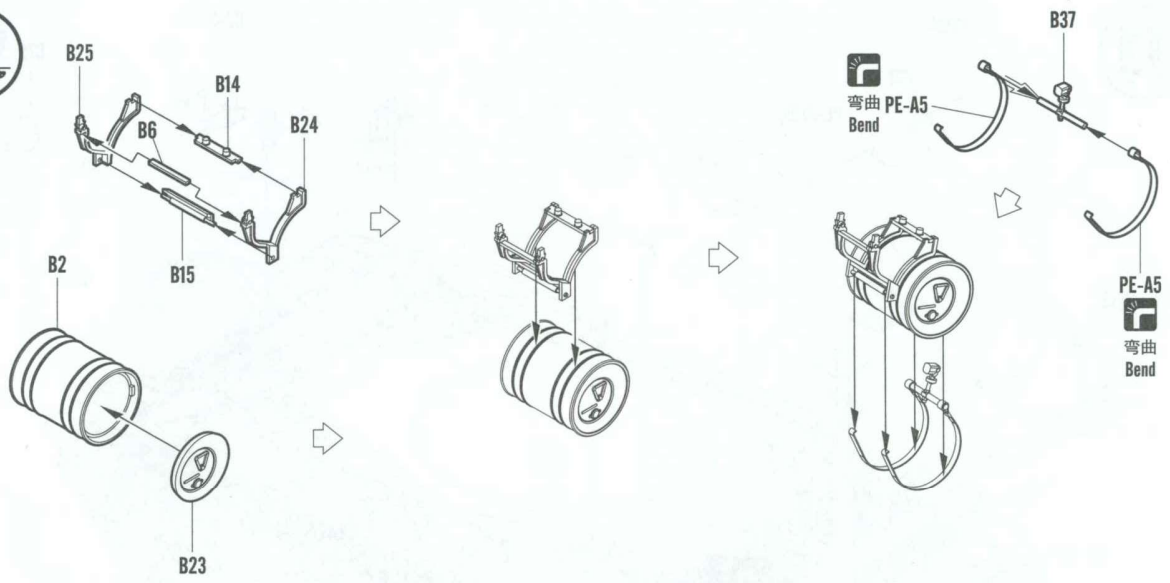
7
STEP

《铜缆》 $\varnothing 0.8\text{mm}$
Brass wire



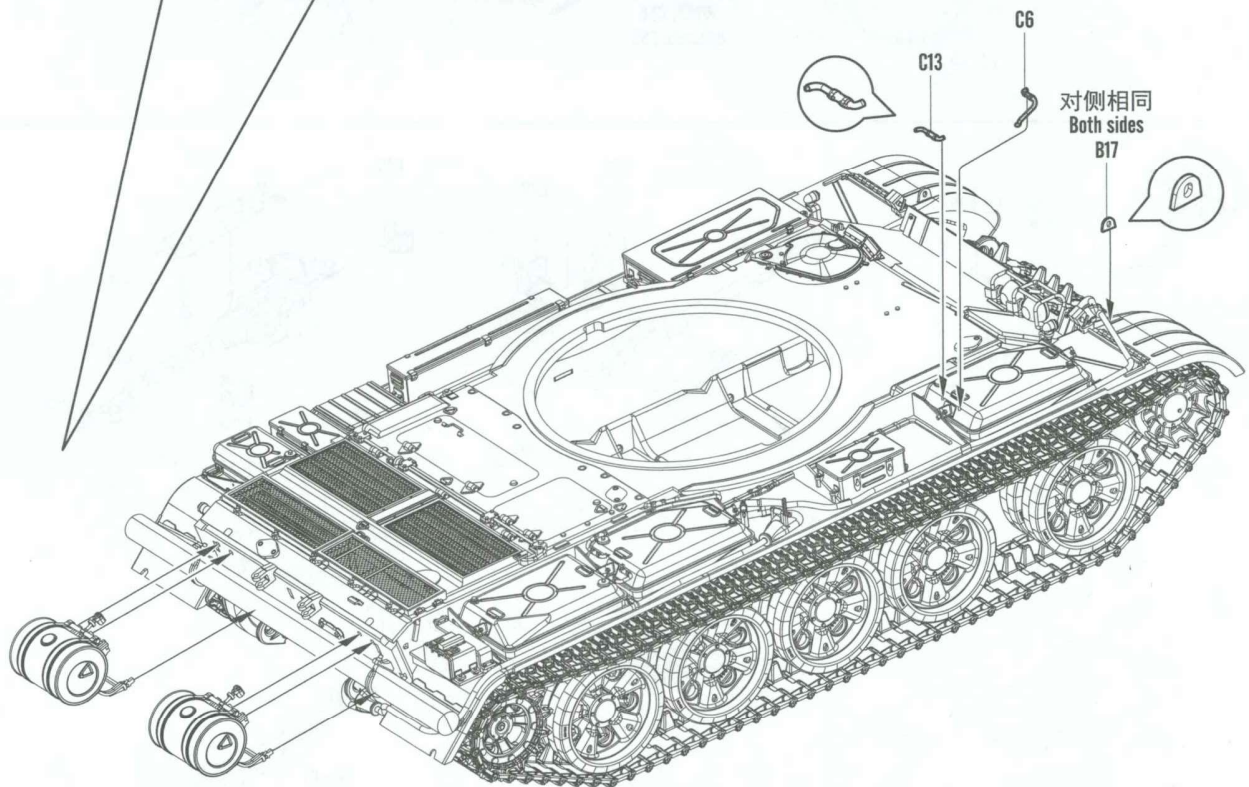


9
STEP

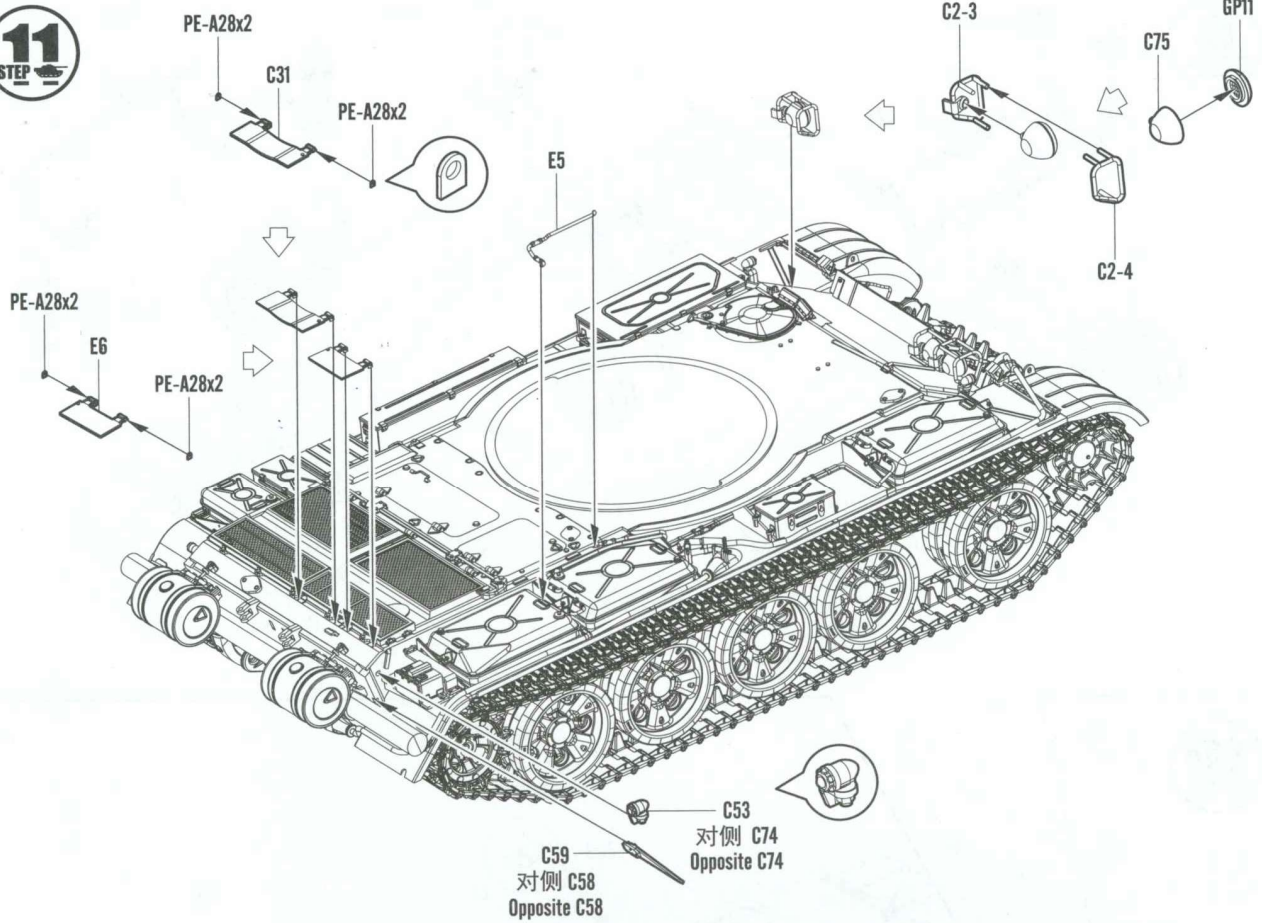


制作2组
Make two

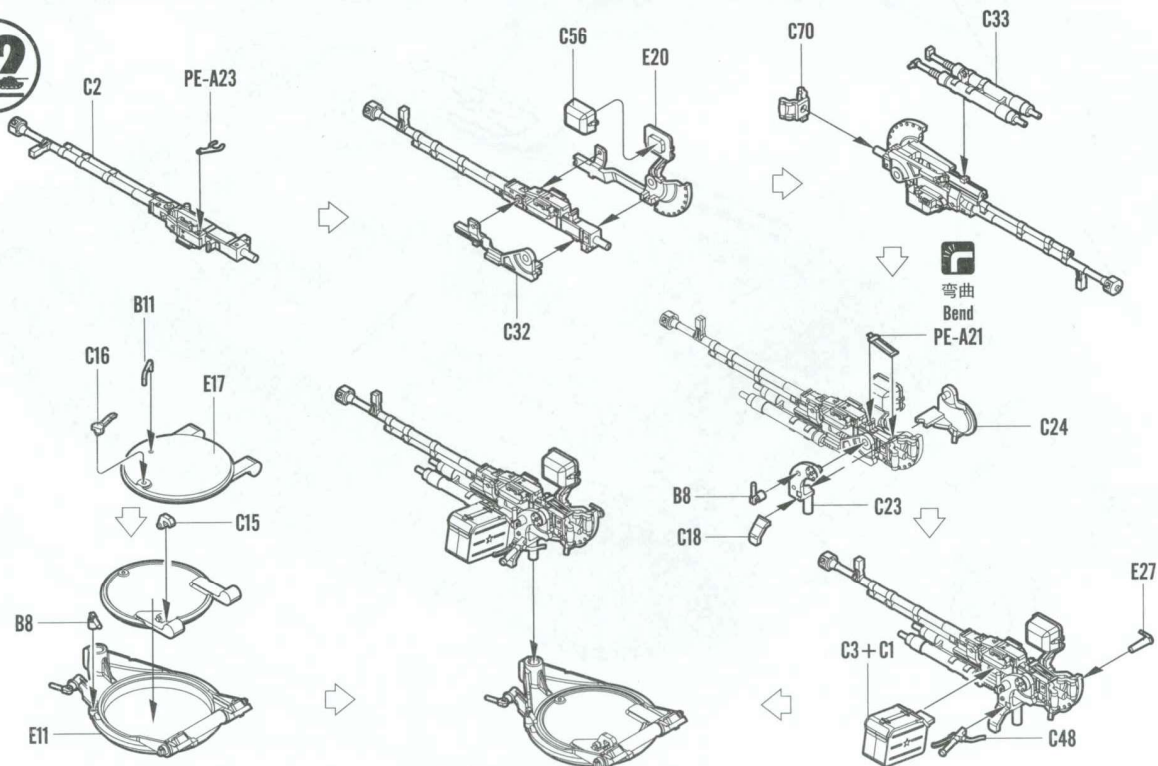
10
STEP



11
STEP

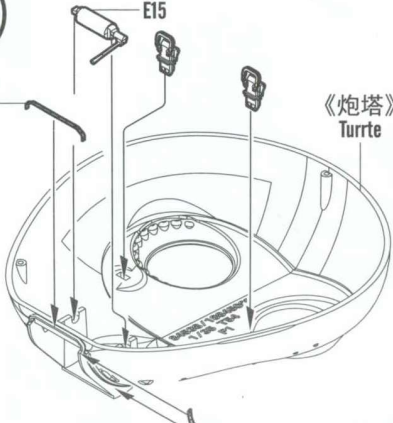


12
STEP

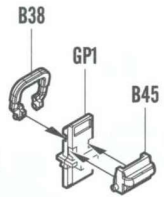


13
STEP

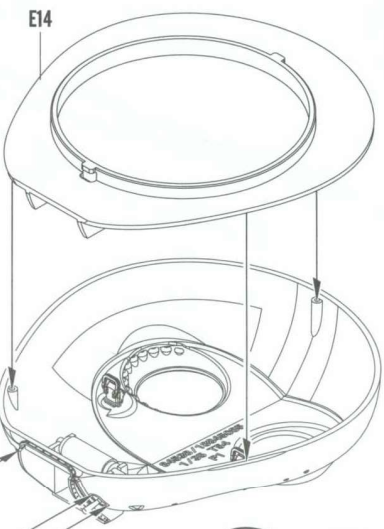
PE-A14
弯曲
Bend



《炮塔》
Turrete



制作2组
Make two



GP2
PE-A20
对侧 PE-A19
Opposite PE-A19

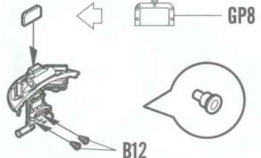
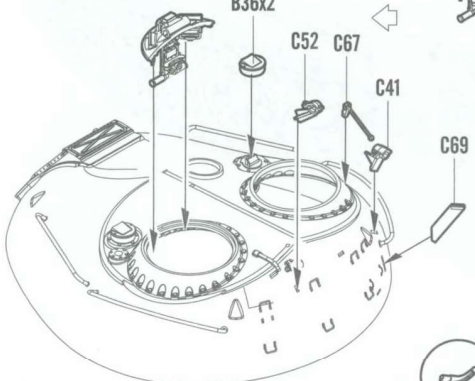
切除
Cut/Remove

GP4x2

PE-A6

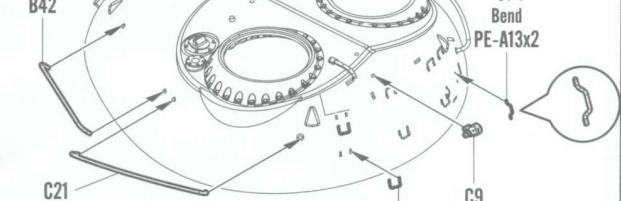
E22

PE-A4
弯曲
Bend



对侧相同
Both sides

弯曲
Bend



对侧 C20
Opposite C20

弯曲
Bend

PE-A24x7
弯曲
Bend

B13 C42 E24

C14 GP4x2

B10

C8 B11

B13

C68
对侧相同
Both sides

不涂胶水
No cement

C64

C19

PE-A25

C2-8

C4

C5

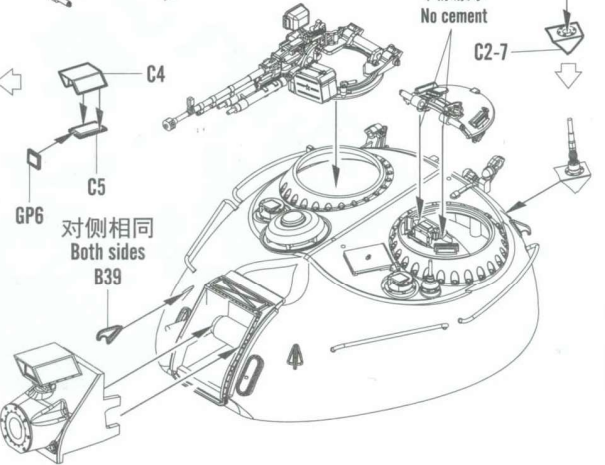
GP6

对侧相同
Both sides

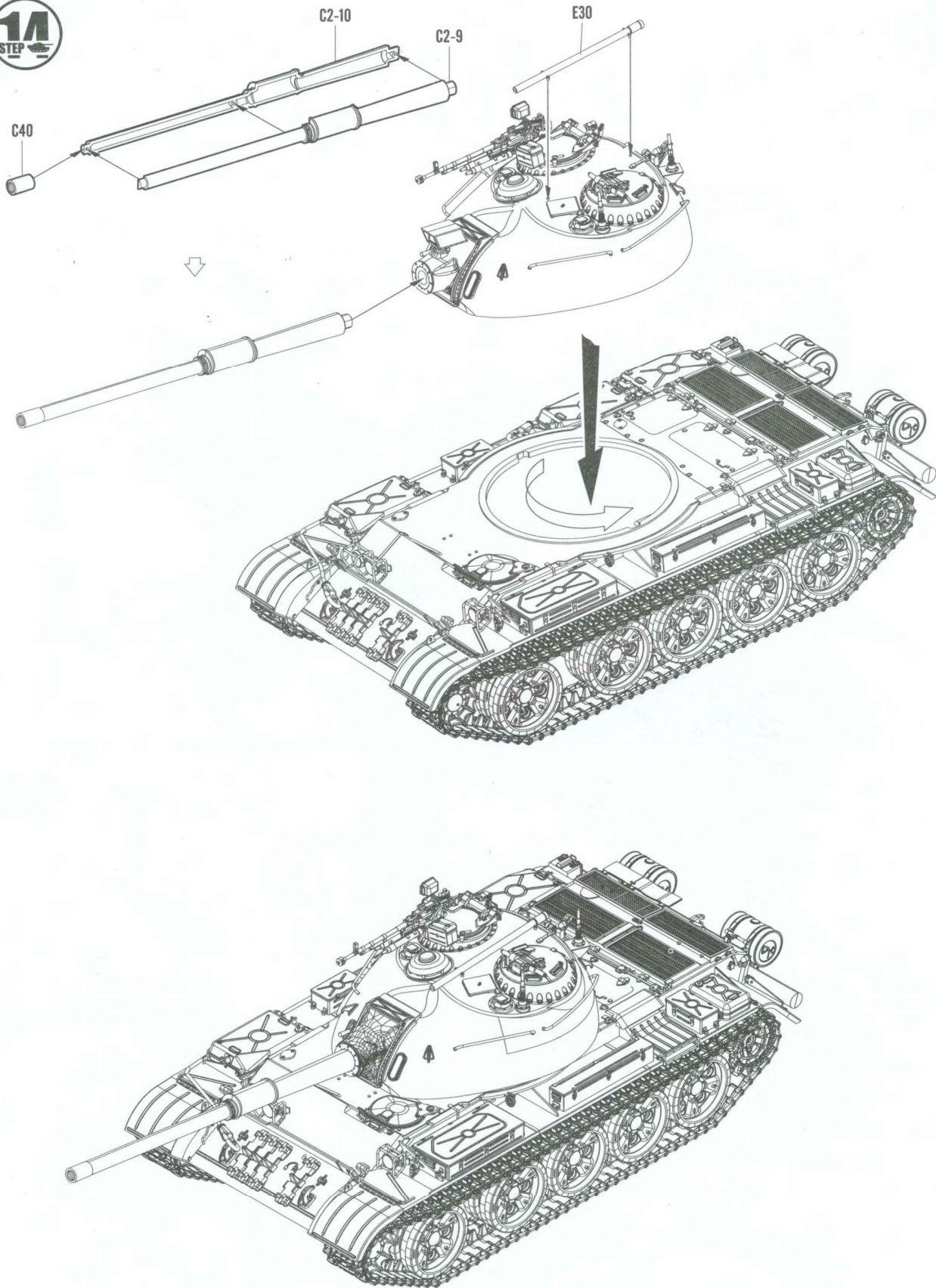
B39

选择
Option

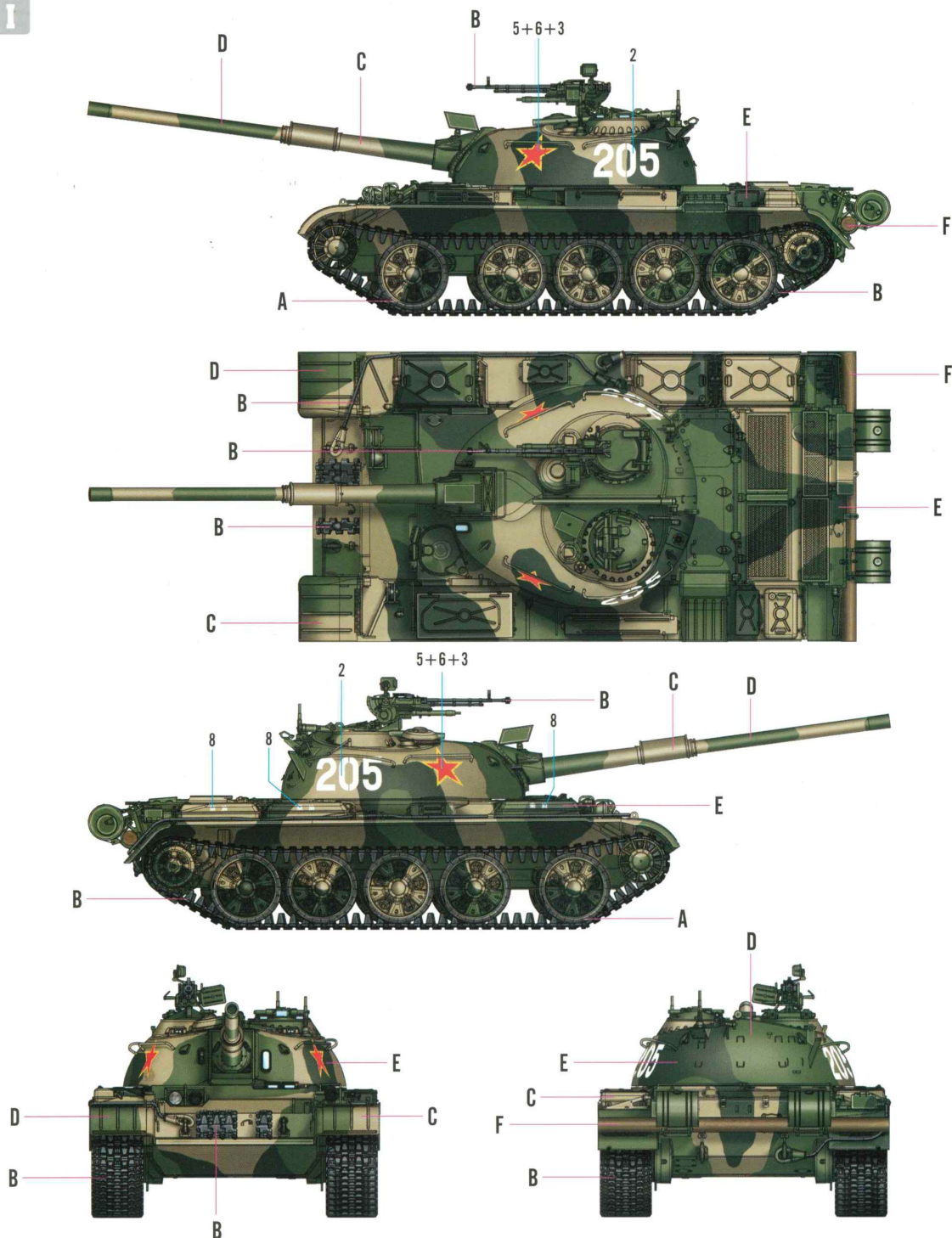
V3



11
STEP



I

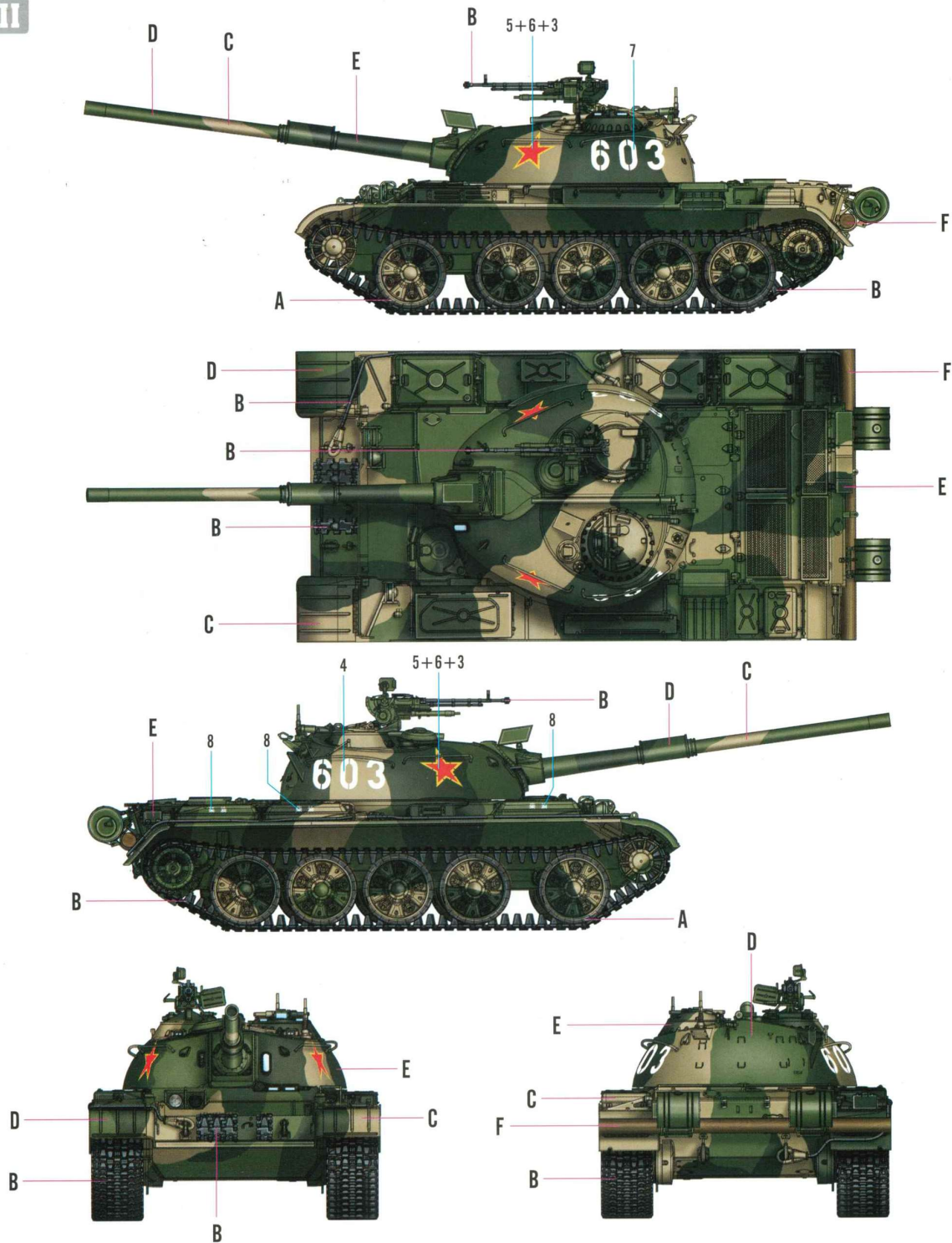


	Color	Mr.Hobby	Acrycion	Vallejo	Model Master	Tamiya	Humbrol
A	胎黑色 Tire Black	H 77 137	N 77	--	--	XF85	--
B	黑铁色 Steel	H 18 28	N 18	864	1402	XF84	--
C	砂黄色 Sandy Yellow(Dark Yellow)	H 79 39	N 79	824	--	XF59	93

H AQUEOUS HOBBY COLOR Mr. COLOR N ACRYSION COLOR

*Some paints may not be available in your country. Please check your local hobby shop for substitute

II



Color	Mr.Hobby	Acrycion	Vallejo	Model Master	Tamiya	Humbrol
D 緑色 Light Green	H 303 303	N 303	--	1713	XF20	117
E 緑色 Forest Green	H 309 309	N 309	893	1710	XF58	116
F 木棕色 Wood Brown	H 37 43	N 37	983	1701	--	186

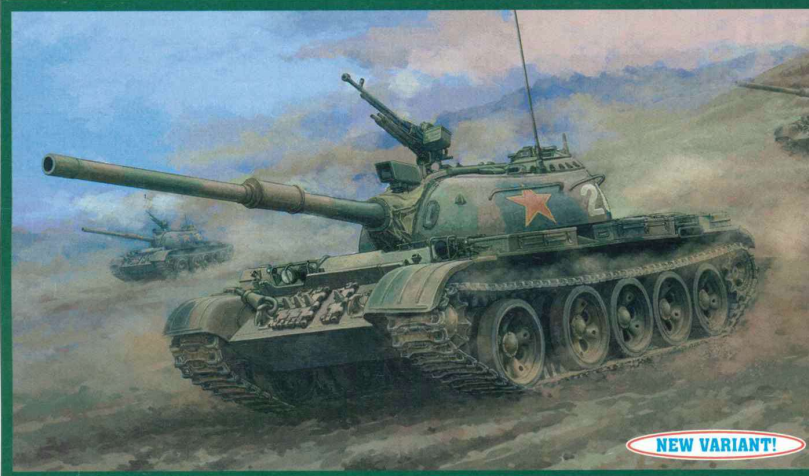
H AQUEOUS HOBBY COLOR Mr. COLOR N ACRYCION COLOR

※ Some paints may not be available in your country. Please check your local hobby shop for substitute

1:35
Scale 84540

PLA 59-2 Medium Tank

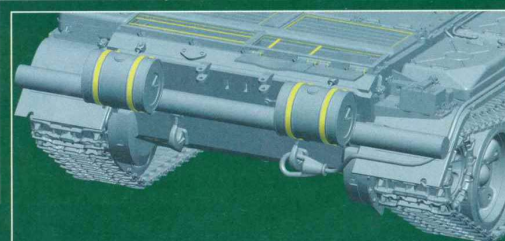
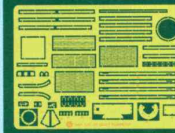
HOBBY BOSS®



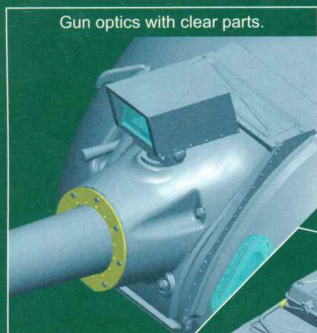
Kit consists of over 618 parts on 19 sprues including hull. 68 parts photo-etched upgrade parts, copper cable.
Dimension of completed model: Length: 257.3mm Width: 93.4mm



Decal



Rear fuel drums with photo-etched retaining straps.



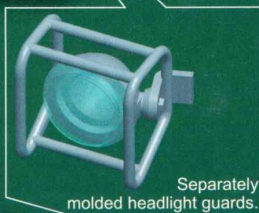
Gun optics with clear parts.



Detailed top turret with 12.7mm DShK gun.



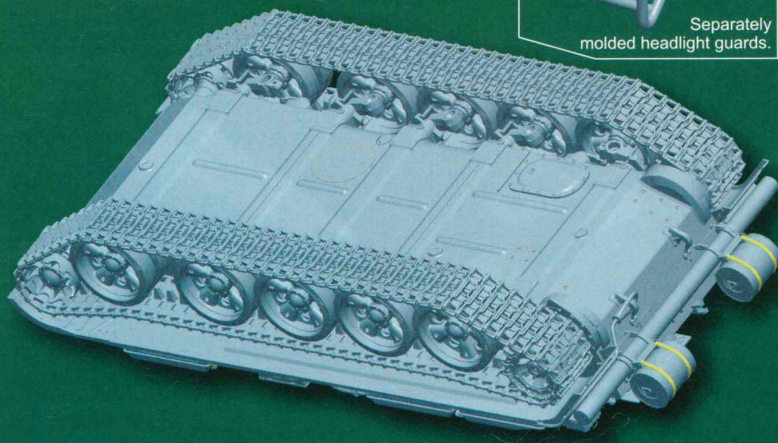
Headlights with clear parts.



Separately molded headlight guards.



Detailed running gear.



Trumpeter_Hobbyboss

Trumpeter_Hobbyboss

trumpeter&hobbyboss fan club

小号手模型

