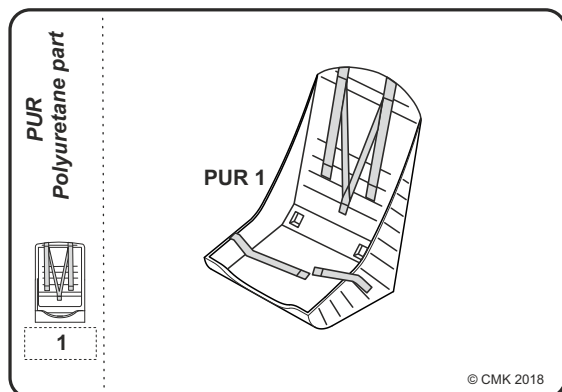


Q72 302 Kittyhawk I, Ia, II, Iia and III
1/72 *Seat with Sutton Harness for*
Special Hobby kit



Díly ohnuté popř. pokroucené vlivem teplotních změn a stárnutí materiálu, mohou být narovnány do požadovaného tvaru pomocí proudu teplé vody nebo vzduchu (fén na vlasy).

Parts slightly distorted and bended owing to temperature changes or due to material ageing can be straightened to requested shape by hot water or hot air je (hair dryer).

K lepení použít kyanoakrylátové lepidlo!

For best result gluing use cyanoacrylate glue!

Kontaktní plochy doporučujeme před lepením odmastit
Contact areas ungrease is recommended before gluing.

Visit our official website and e-shop at
www.cmkkits.com

OSTATNÍ SETY CMK / OTHER SETS OF CMK 1:72

7386 P-40 - Control Surfaces Set for Special Hobby kit

7389 P-40 - Armament Set for Special Hobby kit

Q72 293 P-40E/F/K/L/M and N-1 - Seat for Sp. Hobby kit

Q72 295 P-40 Wheels - Diamond Tread for Sp. Hobby kit

Q72 296 P-40 Wheels - Block Tread for Sp. Hobby kit

Q72 297 P-40 Wheels - Cross Tread for Sp. Hobby kit

Q72 298 P-40 Wheels

- Diamond and Hole Tread for Special Hobby kit

Q72 299 P-40E/F/K/L and N-1

- Seat with Belts for Special Hobby kit

Special Hobby, Mezileší 718, Praha 9, CZ - 193 00, e-mail: office@specialhobby.eu