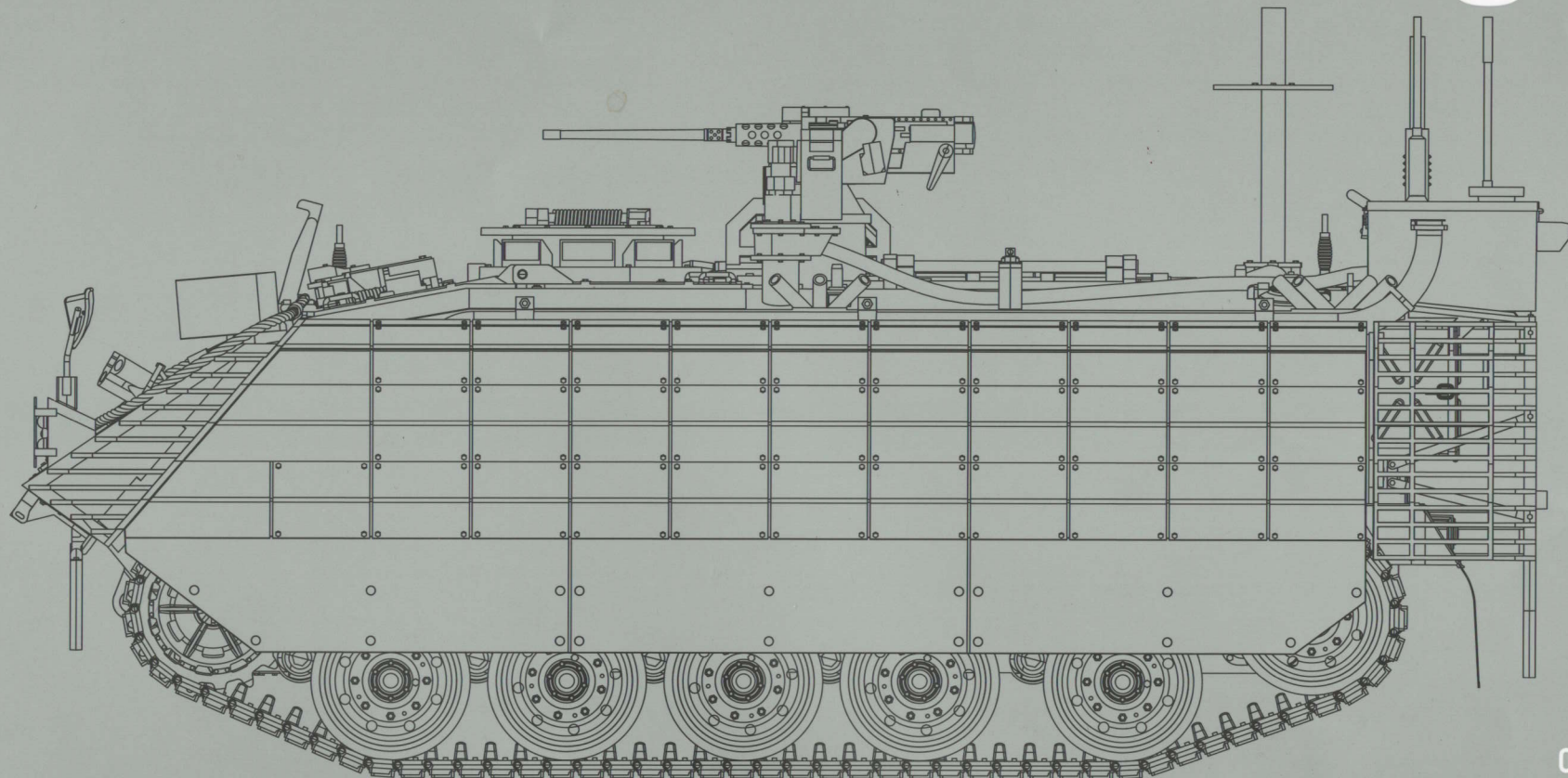


BRITISH APC

# FV432 Mk.3 Bulldog



03.02.2067

The Fighting Vehicle 432 fully tracked personnel carrier entered service in 1963. Over 3000 examples were manufactured between 1963 and 1971, with most being built to Mk.2/1 standard. Approximately 1500 units are still in front line service over 50 years later. This longevity is the result of a combination of a good design, future proofing, and luck as it's intended replacements have proved inferior or have been cancelled over the decades. Leaving the 432 to soldier on alone, the Mk.3 'Bulldog' is expected to serve beyond 2025. The FV432 was designed from the outset to carry out multiple roles without major modification, so the base vehicle can quickly be converted into ambulance, 81mm mortar carrier, or mobile command post variants, among many others. The FV432 platform has also been used for a range of specialized vehicles such as the FV433 Abbott 105mm Self Propelled Gun, the FV434 Fitter's vehicle, and the FV438 Swingfire.

The FV432 APC weighs 15 tons and is powered by a Rolls Royce B60 multifuel (diesel in practice) engine which can reach a speed of 32mph/53kmh with an impressive range of 360 miles/580 km. The armour is 12.3mm thick and is only proof against small arms and shell splinters. NBC protection is provided by an overpressure protection system. The vehicle has a crew of 2 (consisting of driver and commander), and carries a full infantry section of 10 men. Armament comprises of a single 7.62mm GPMG fired by the vehicle commander and 2 sets of smoke dischargers mounted on the front corners of the vehicle. Most importantly for any British Squaddie was the installation of 2 boiling vessels, or BV's, without which the British Army would not be able to function. The FV432 was not designed to engage other vehicles or infantry, but was instead supposed to perform the role of a battlefield taxi, delivering and collecting the infantry from the action. Space inside the APC has always been inadequate for a 10-man infantry section, leading to the vehicle's exterior having a very cluttered appearance as kit was stashed everywhere. Eventually in the 1990's, the FV432 fleet was modified with a large open mesh basket and additional side bins.

Introduced in December 2006, the Mk.3 Bulldog was designed to meet an urgent operational requirement for extra armoured vehicles to be used in counter-insurgency campaigns in Iraq and Afghanistan. This upgraded variant features an applique reactive armour package designed by Israeli company Rafael capable of defeating hollow charge warheads, such as the RPG-7 rockets commonly used by insurgents in these theatres. A new engine and steering yoke provide improved cross-country performance and a new top speed of 45 mph/72 kmh. Additional new features include air conditioning and a Remote Weapon Station (RWS), fitted with a 7.62mm machine-gun that can be operated from within the protection of the vehicle.

# READ BEFORE ASSEMBLY

## CAUTION

- Read carefully and fully understand the instructions before commencing assembly. A supervising adult should also read the instructions if a child assembles the model.
- When assembling this kit, tools including knives used. Extra care should be taken to avoid personal injury.
- Keep out of reach of small children. Children must not be allowed to suck any part, or pull vinyl bag over their heads.



Optional



Be Careful



Do Not  
Cement



Remove  
Instant Glue  
for Metal



Instant Glue  
for Metal



Drill

## PAINTS REQUIRED

Color info and profiles by Mig Jimenez

A.MIG 033

Rubber &  
Tires

A.MIG 036

Old Wood

A.MIG 042

Old Rust

A.MIG 045

Gun Metal

A.MIG 093

Crystal Red

A.MIG 094

Crystal Glass

A.MIG 096

Crystal  
Periscope Green

A.MIG 195

Silver

A.MIG 030

Sand Yellow

A.MIG 049

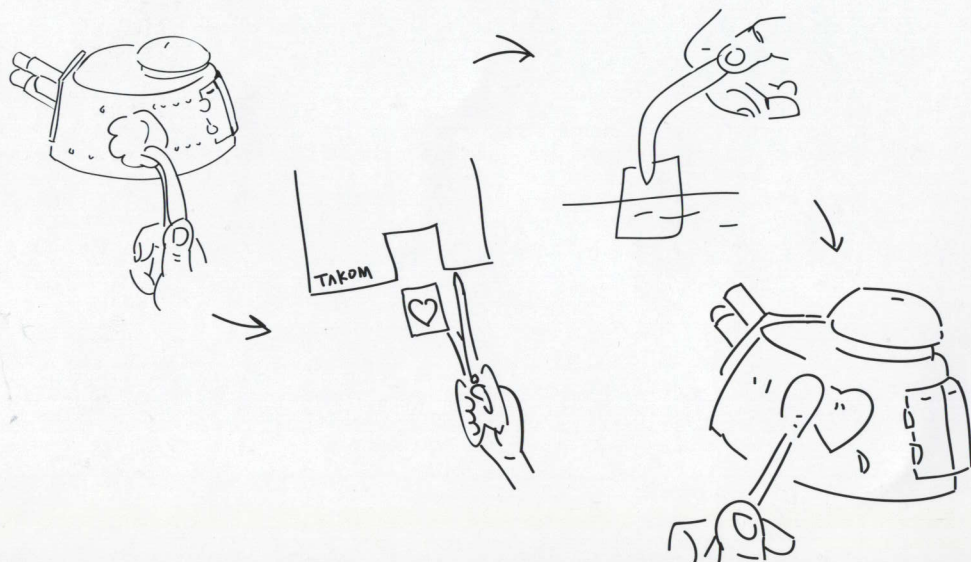
Red

A.MIG 084

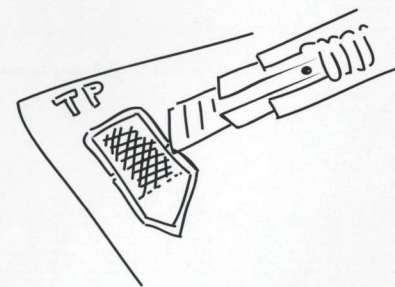
NATO Green

## APPLYING DECALS

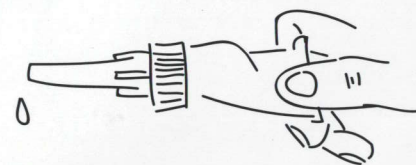
1. Clean the model surface with a wet cloth.
2. Cut out each decal design from sheet, and dip it in tepid water for 15~20 sec.
3. Hold the backing sheet edge and slide decal onto the model.
4. Move decal into position by wetting decal with finger.
5. Press decal gently down with a soft cloth until excess water and air bubbles are gone.



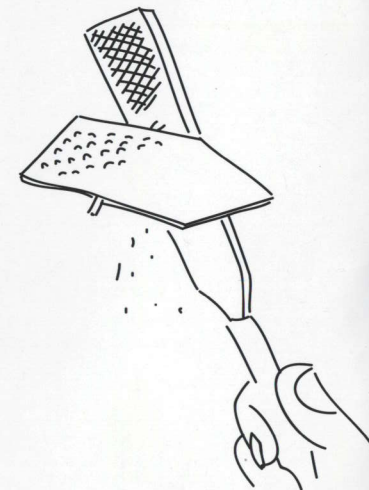
## REMOVING PE



Be careful not to hurt when removing PE parts.

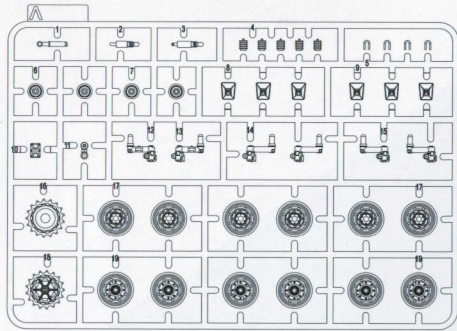


Secure using instant glue (not included).

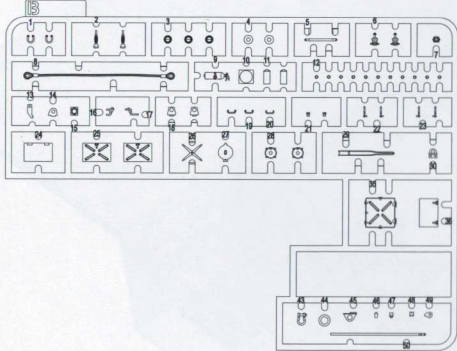


Finish using file.

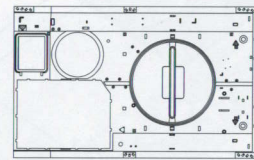
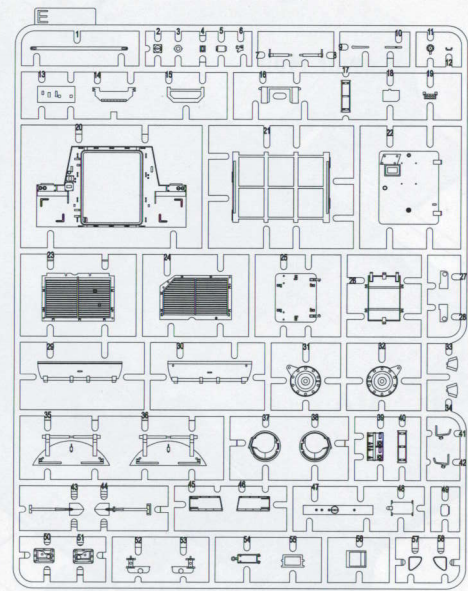
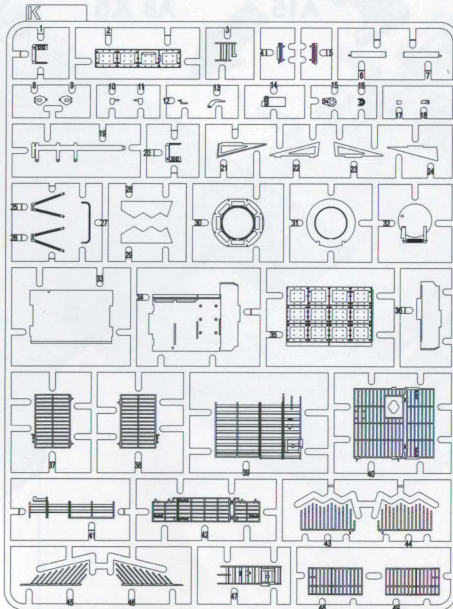
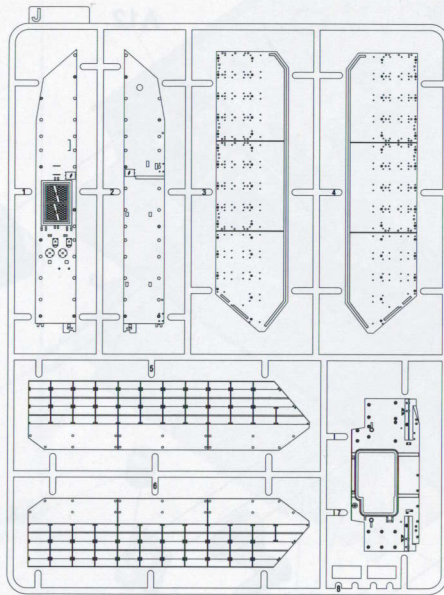
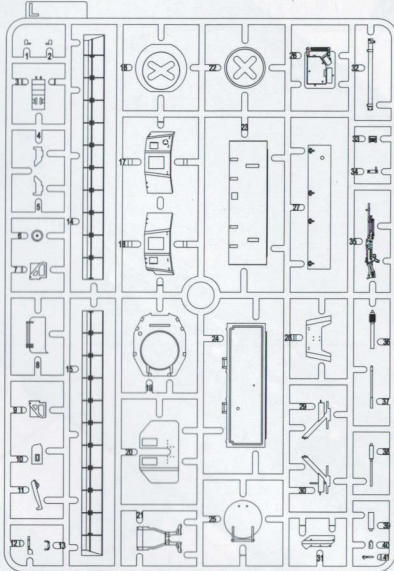
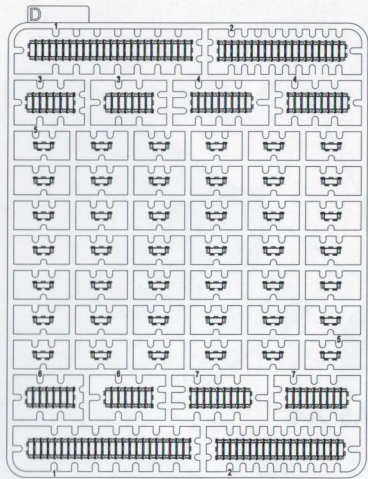
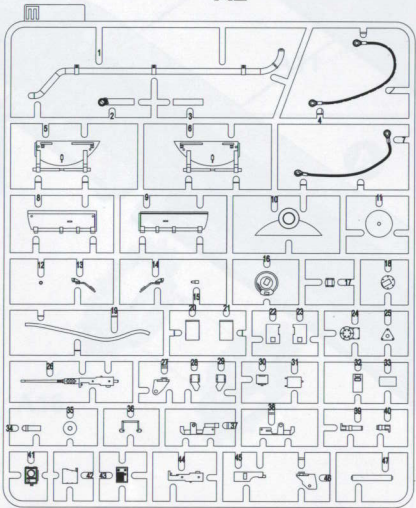
# PARTS



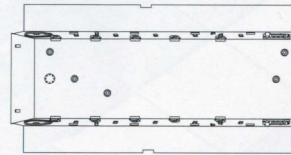
X2



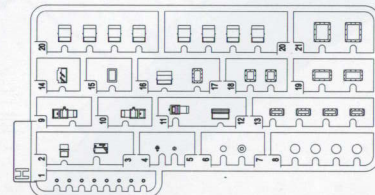
X2



TP



Lower Hull



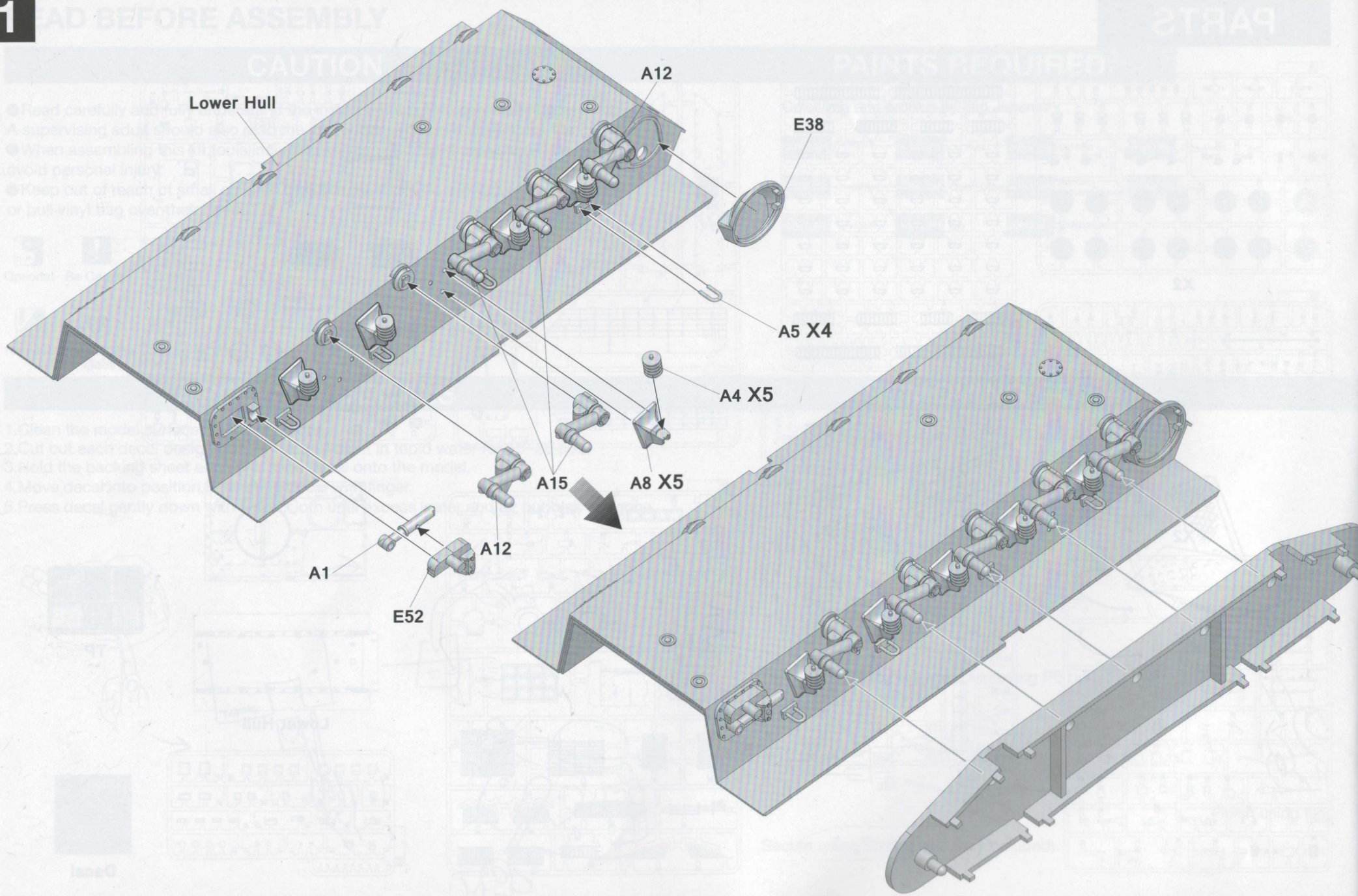
Decal

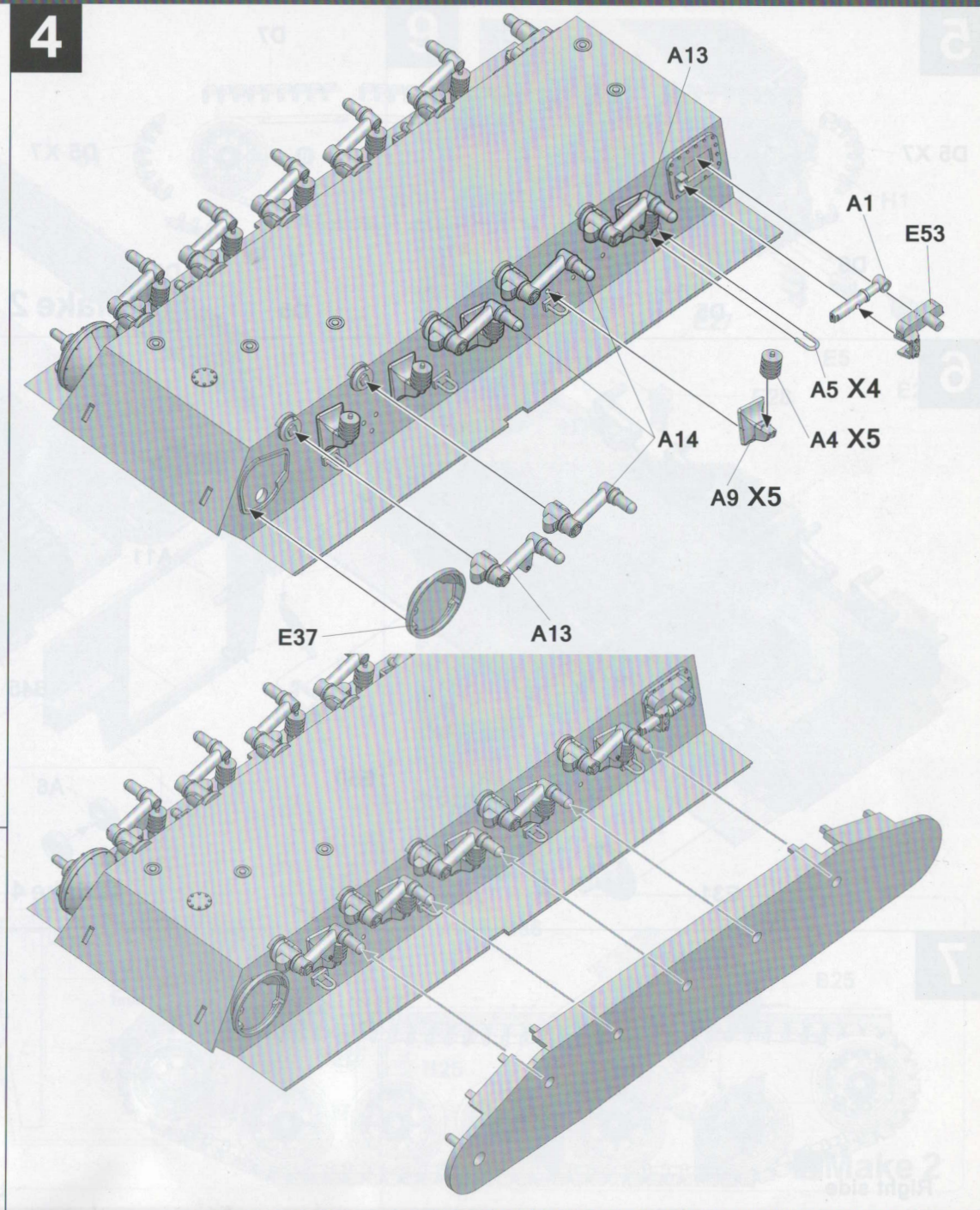
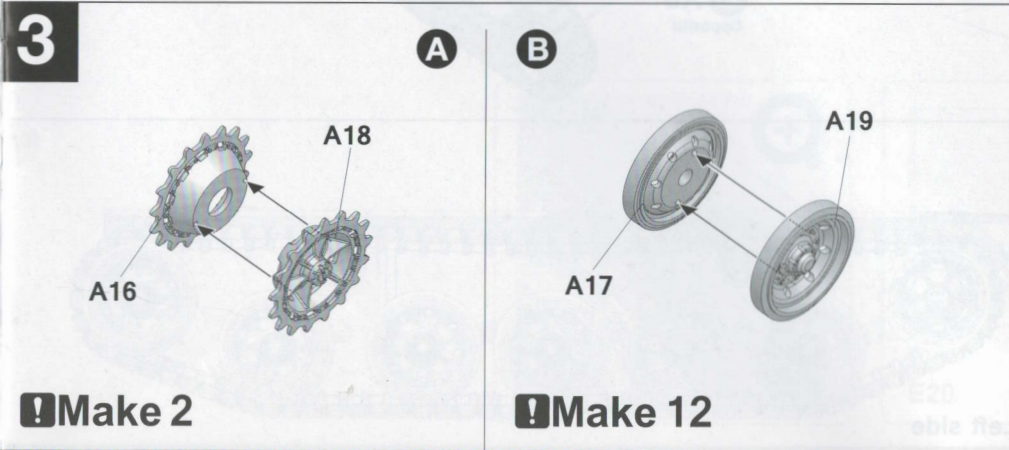
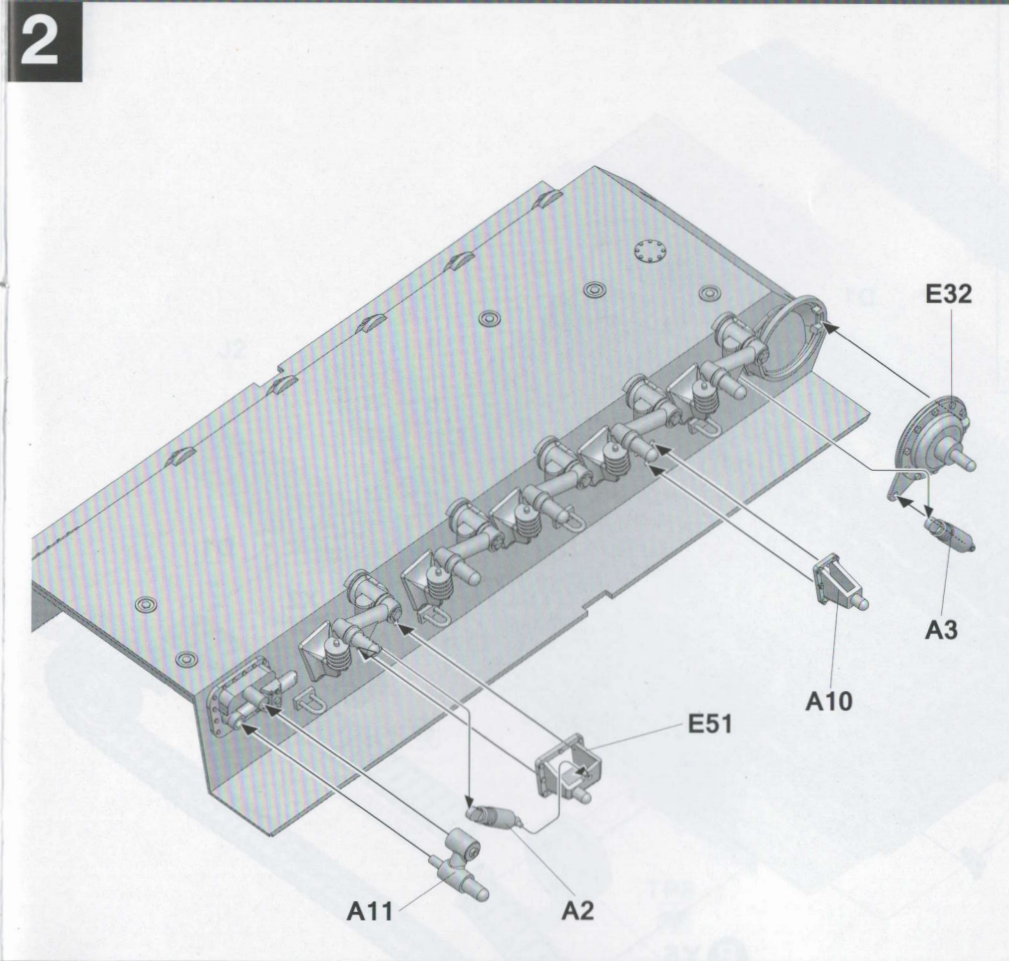
# 1 READ BEFORE ASSEMBLY

PARTS

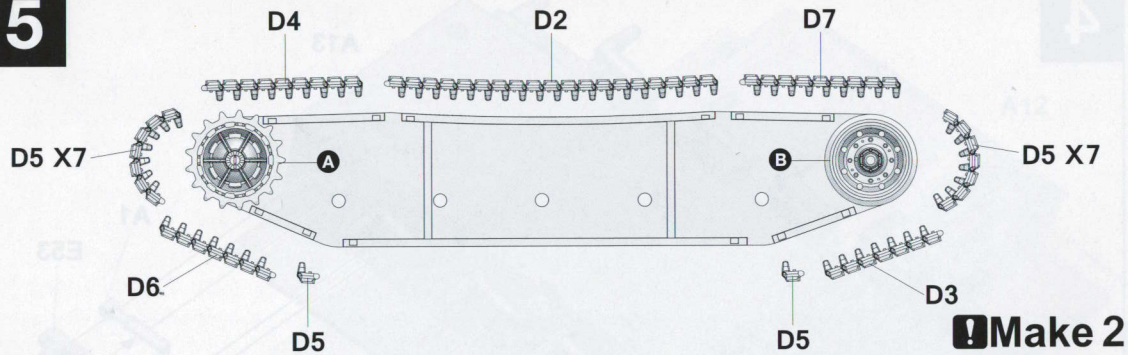
CAUTION

PAINTS REQUIRED

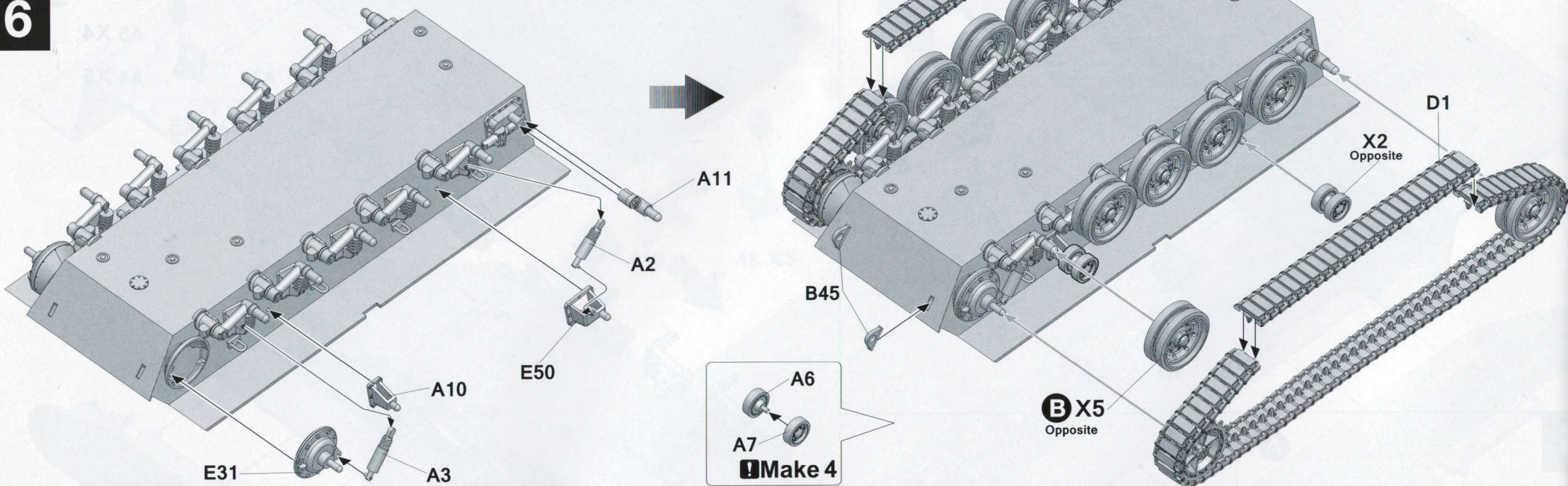




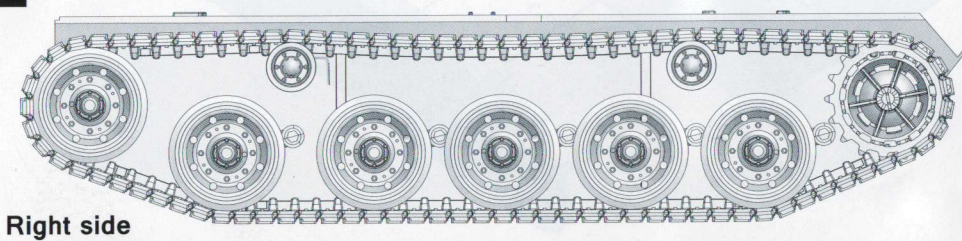
5



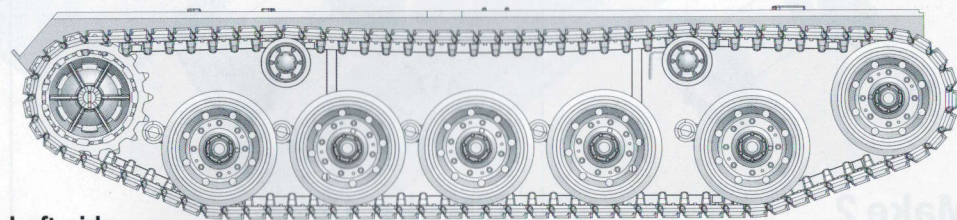
6



7

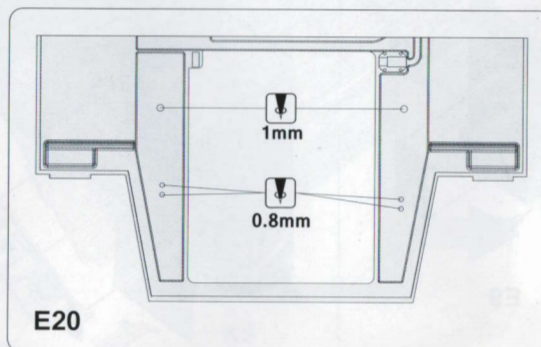
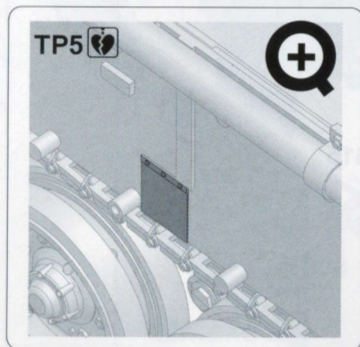
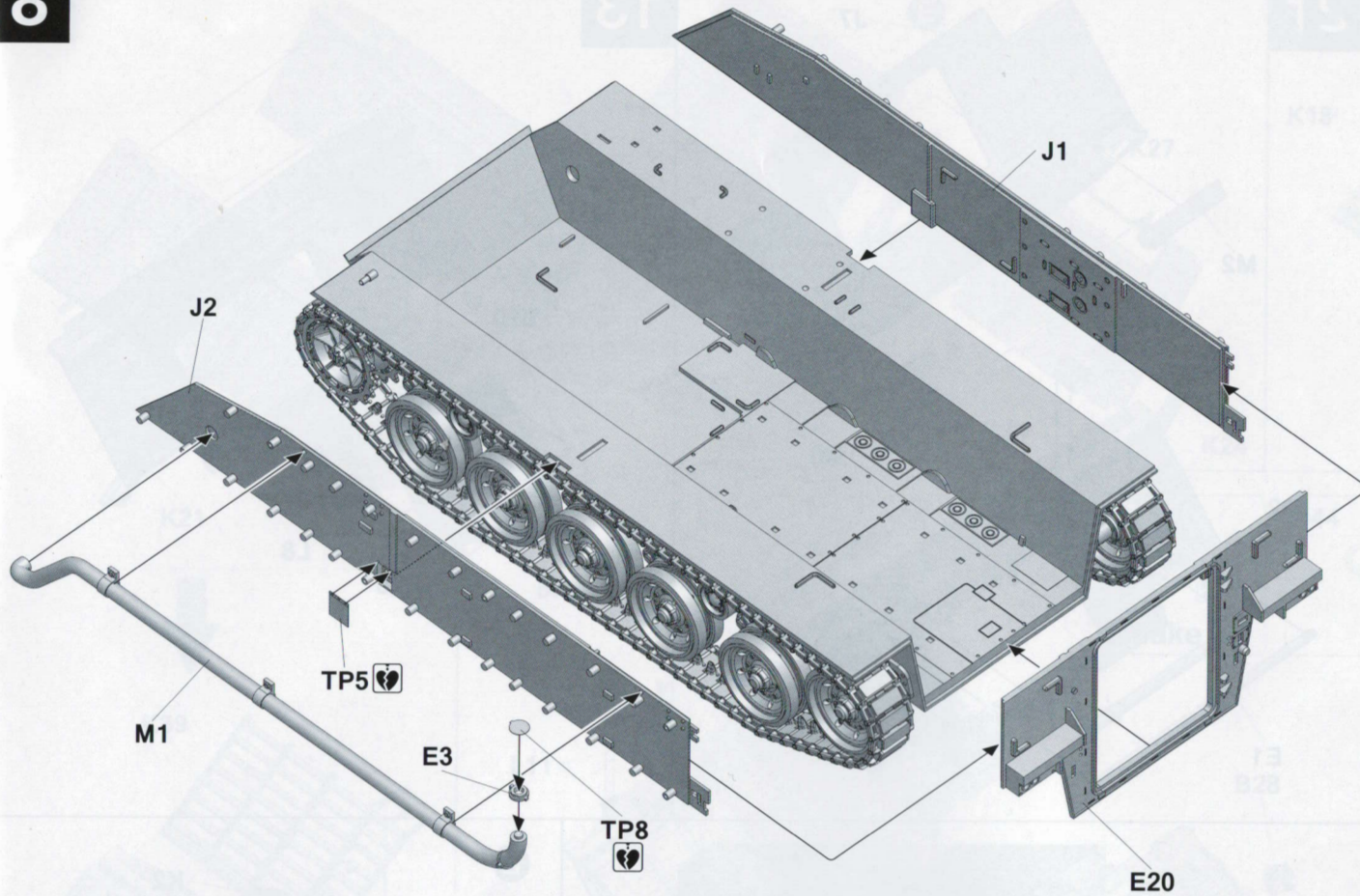


Right side



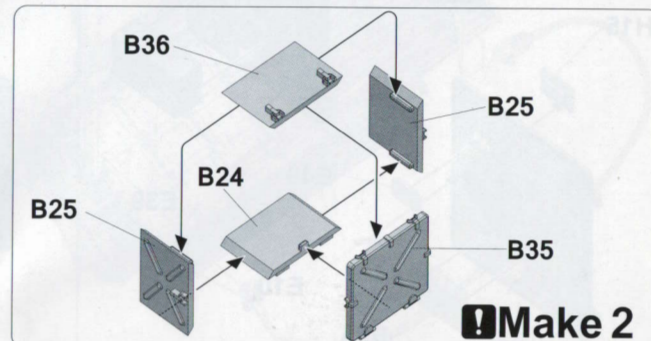
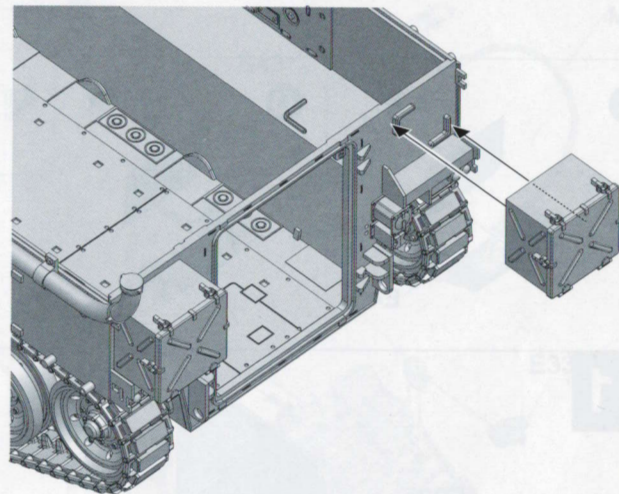
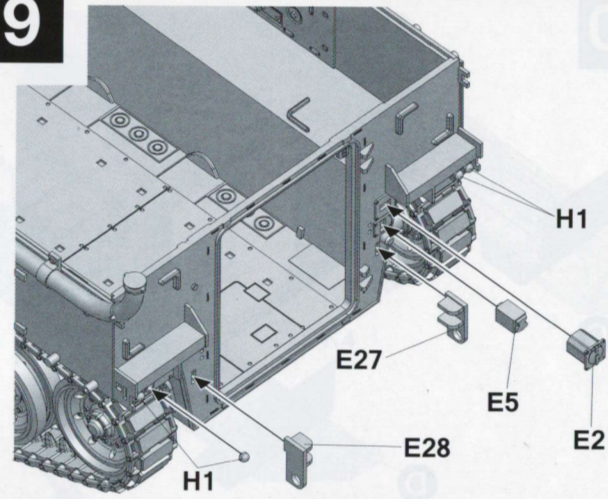
Left side

8

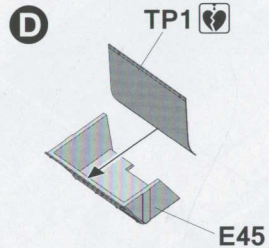
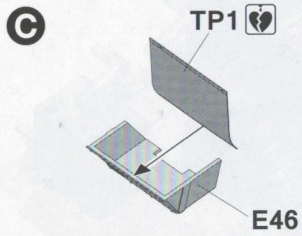
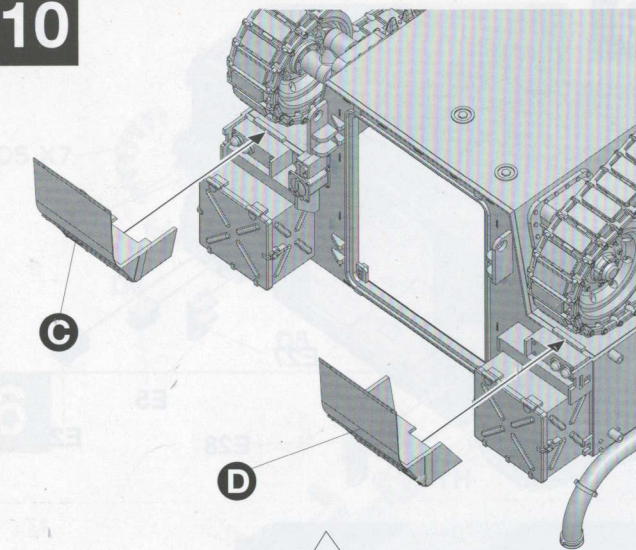
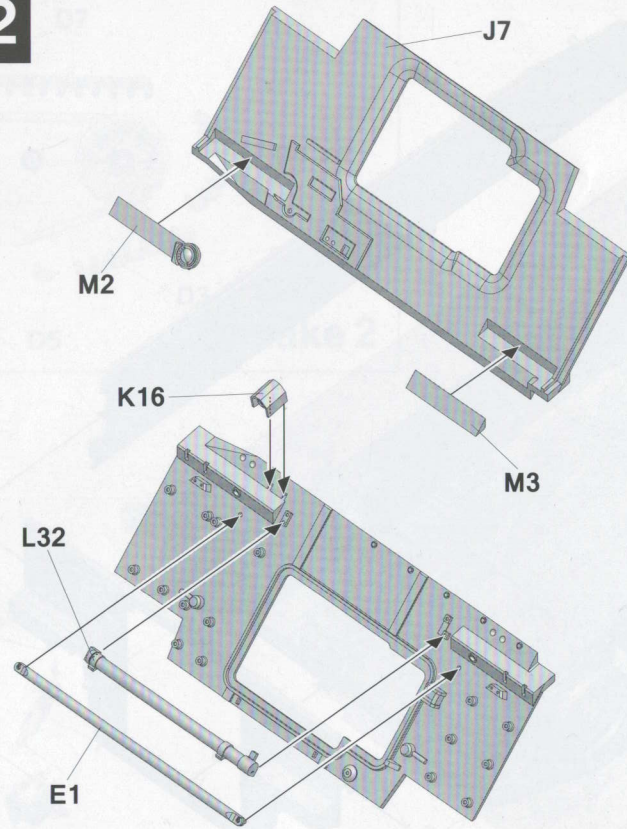
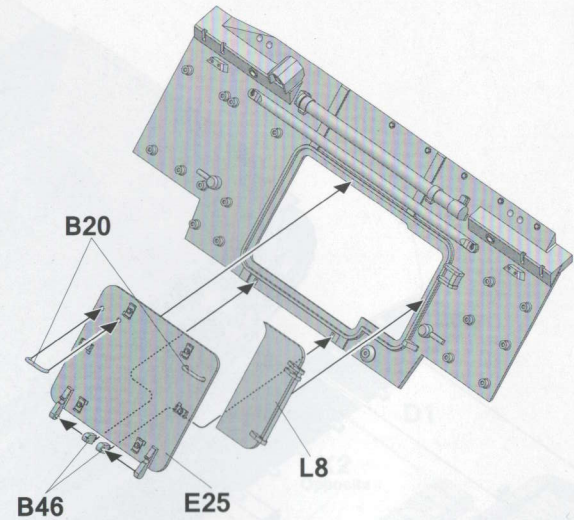
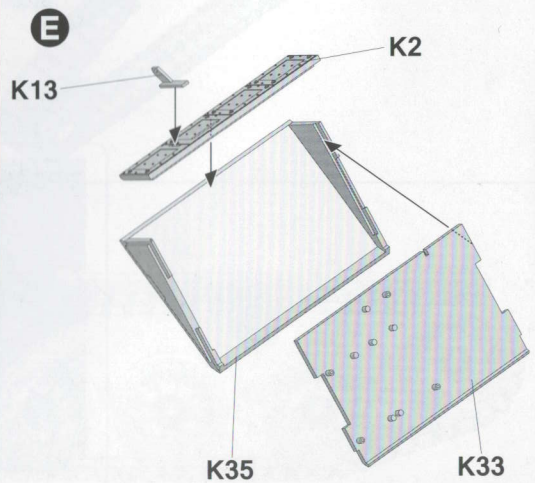
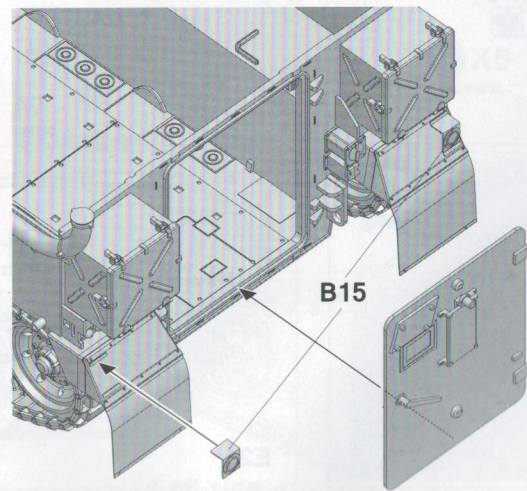
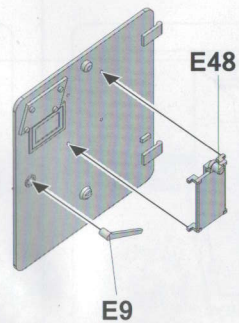
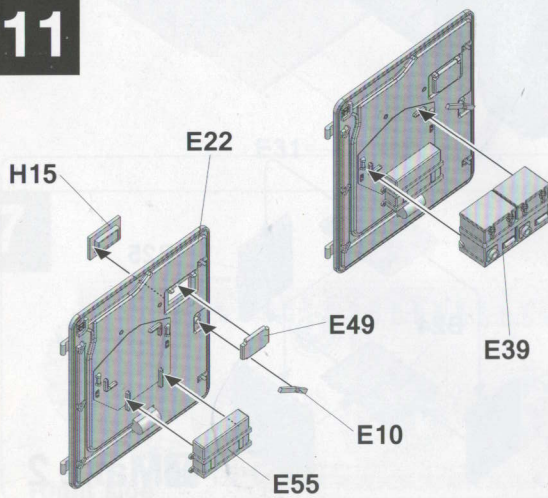


6

9

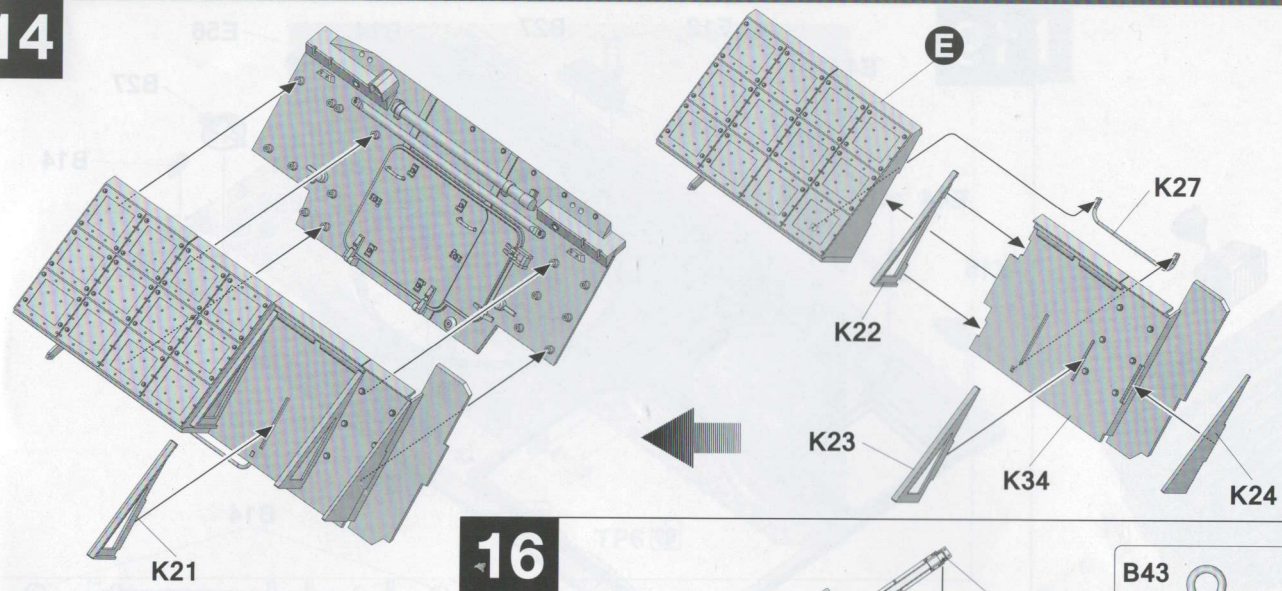


Make 2

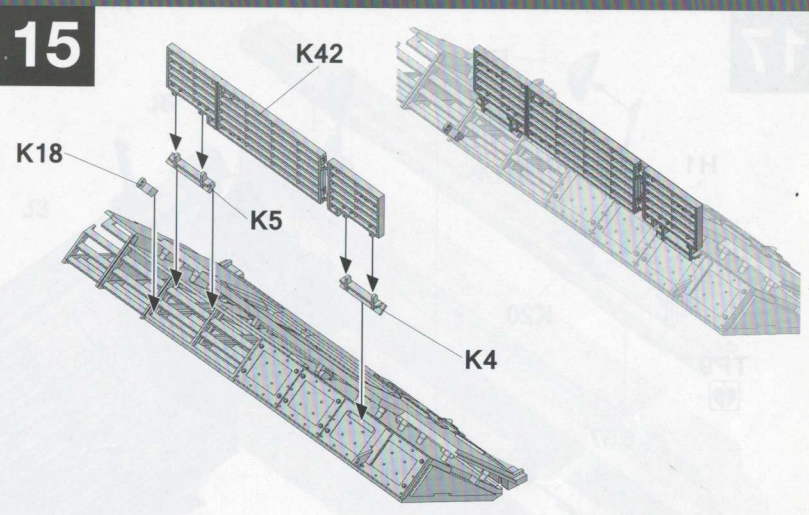
**10****12****13****11**



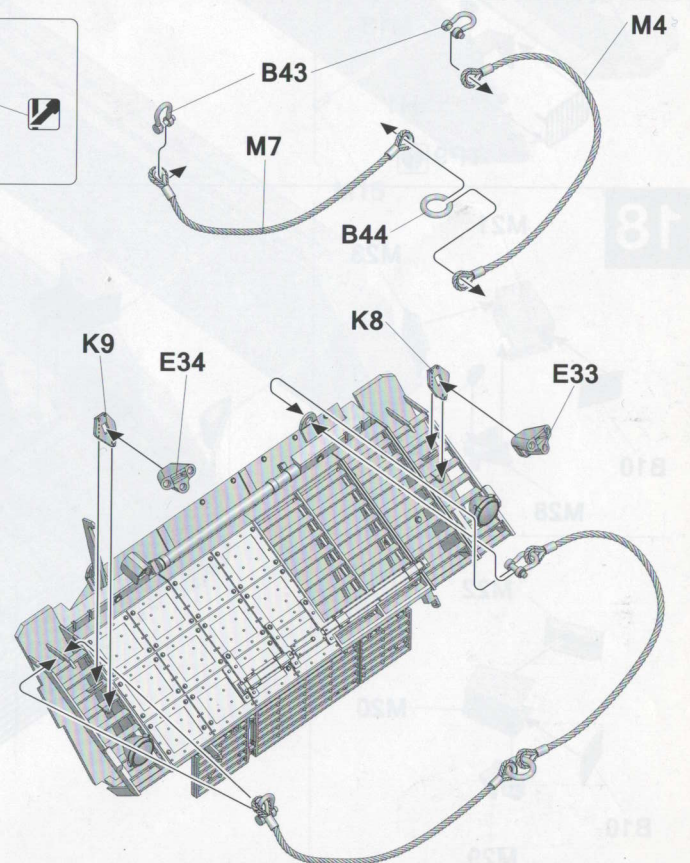
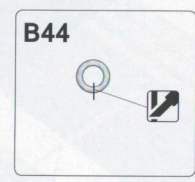
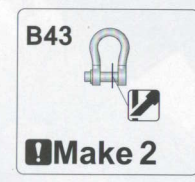
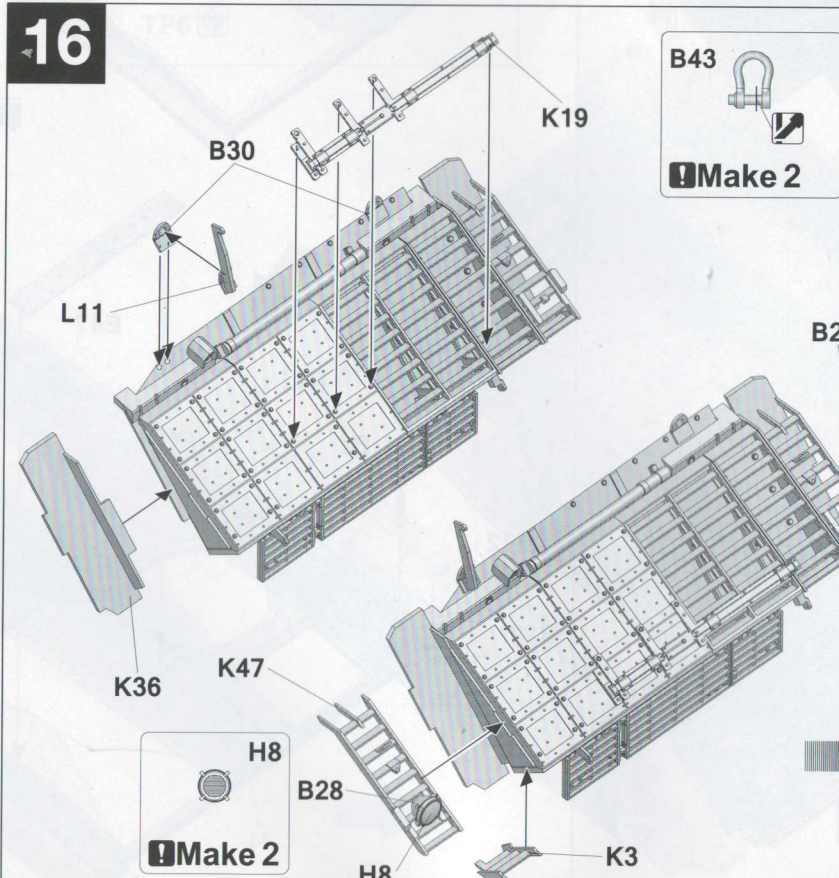
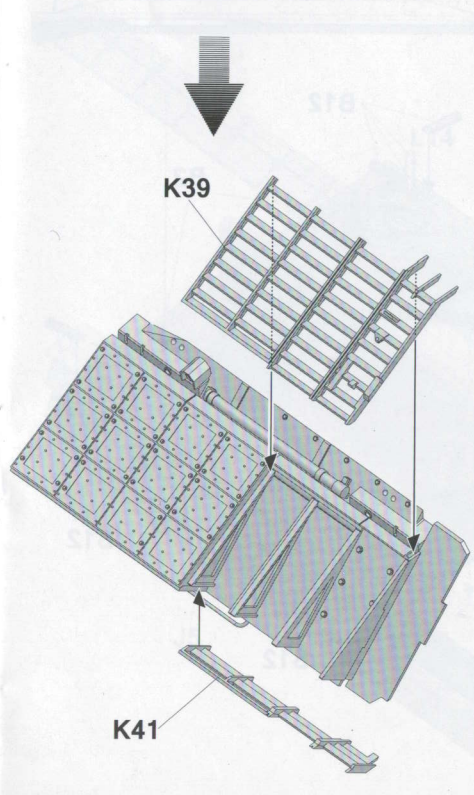
14



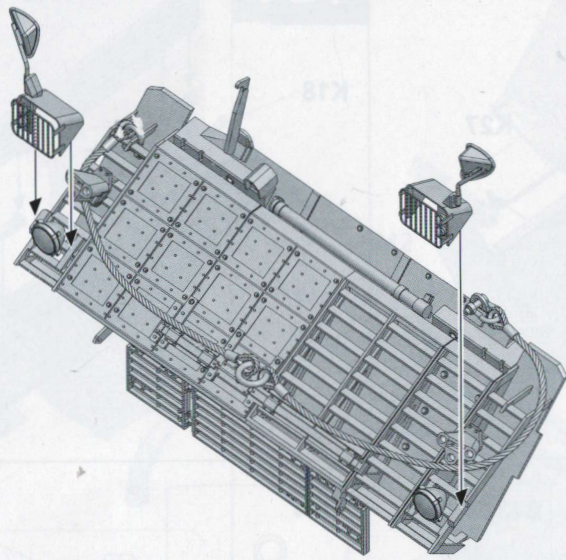
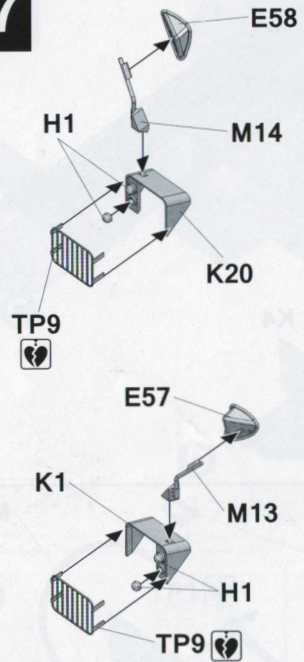
15



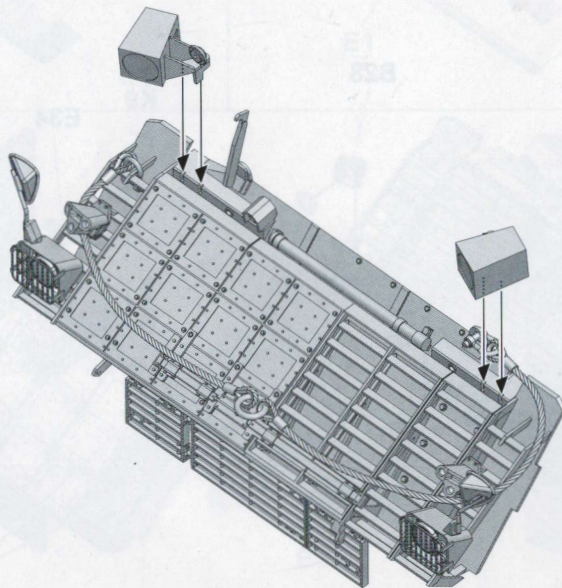
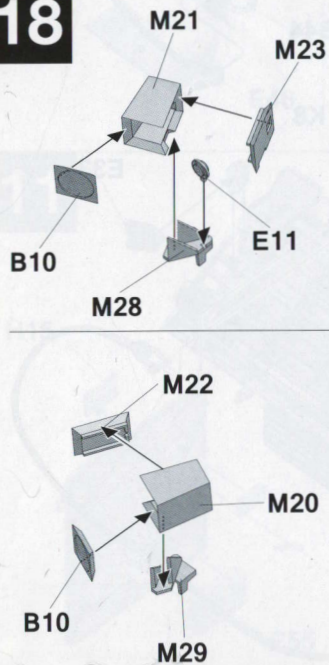
16



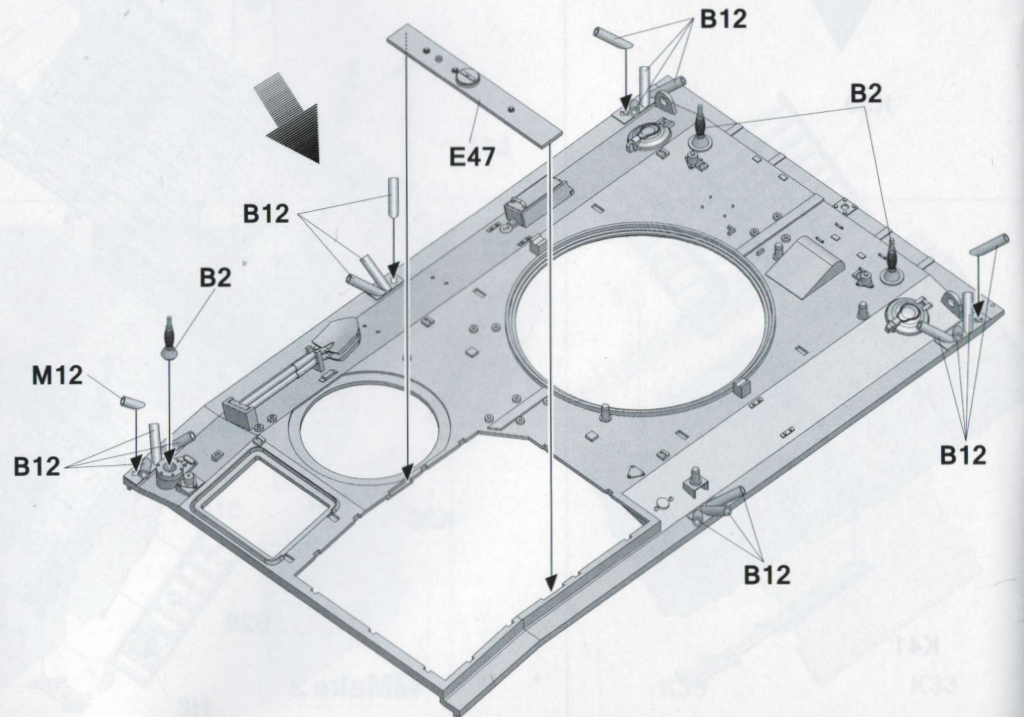
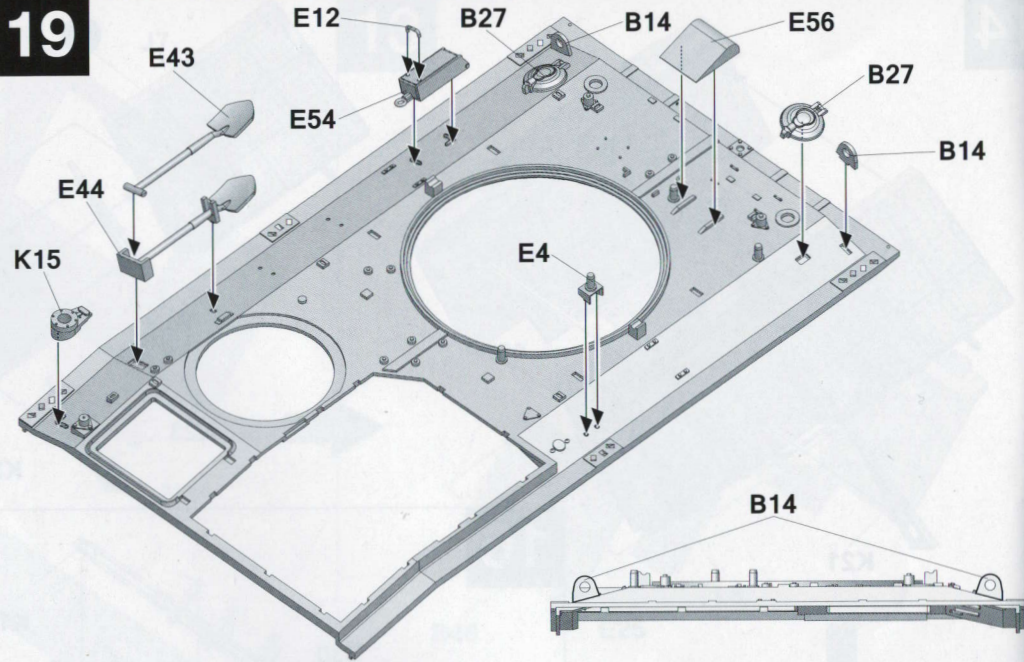
17



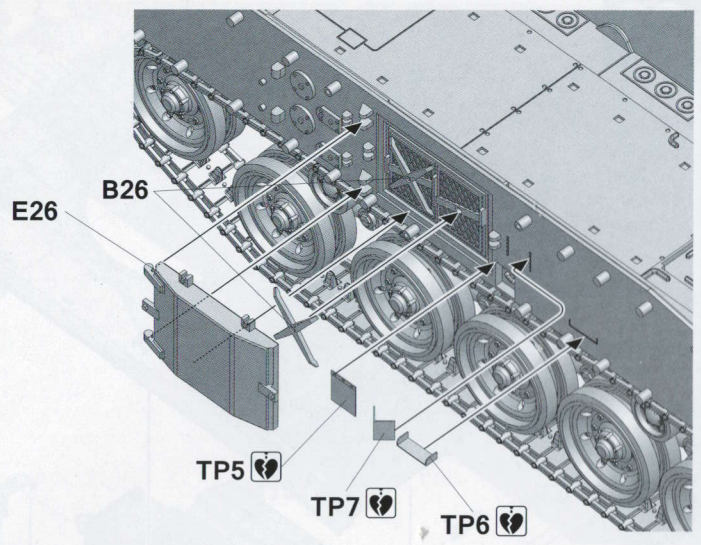
18



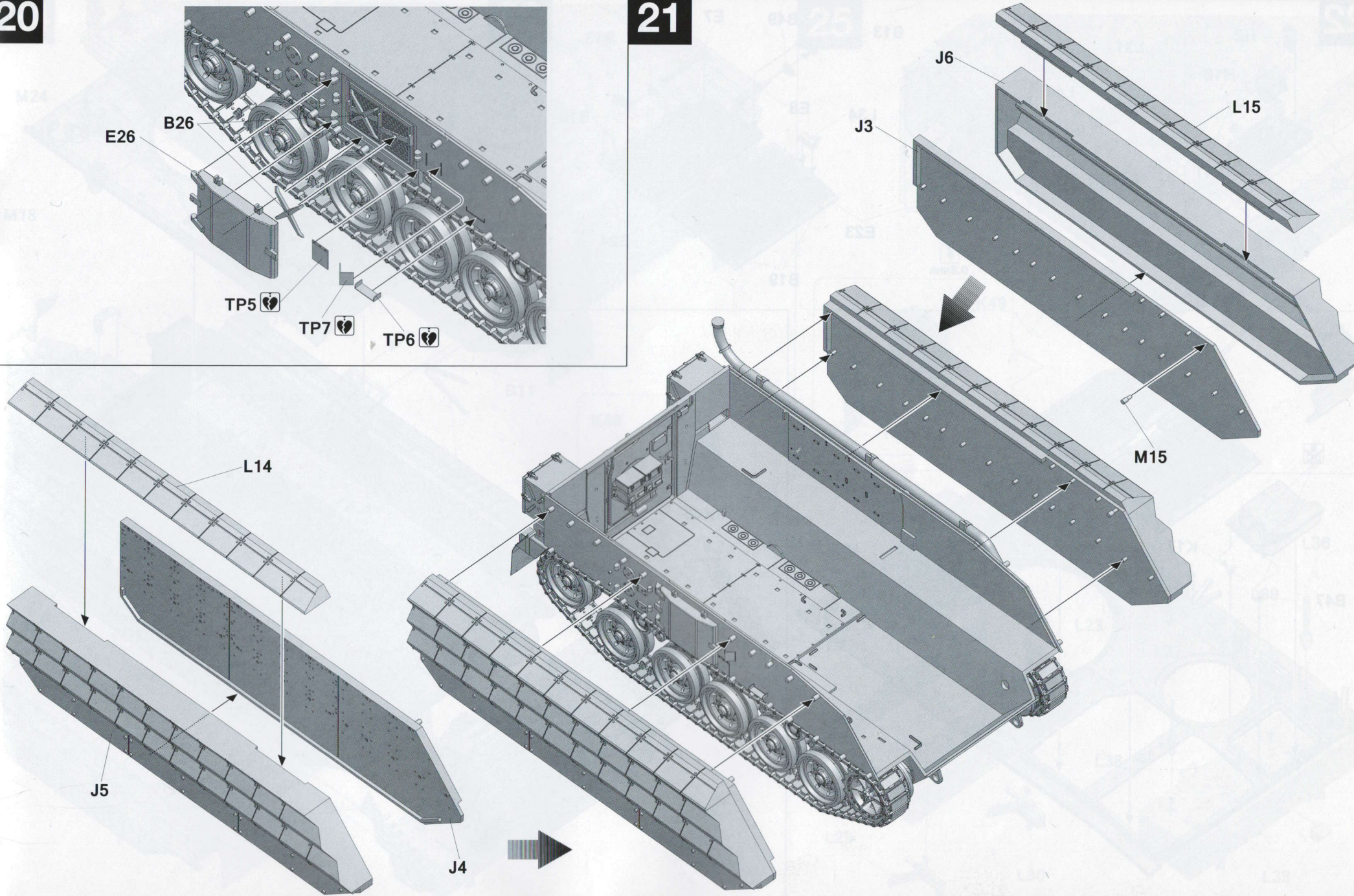
19



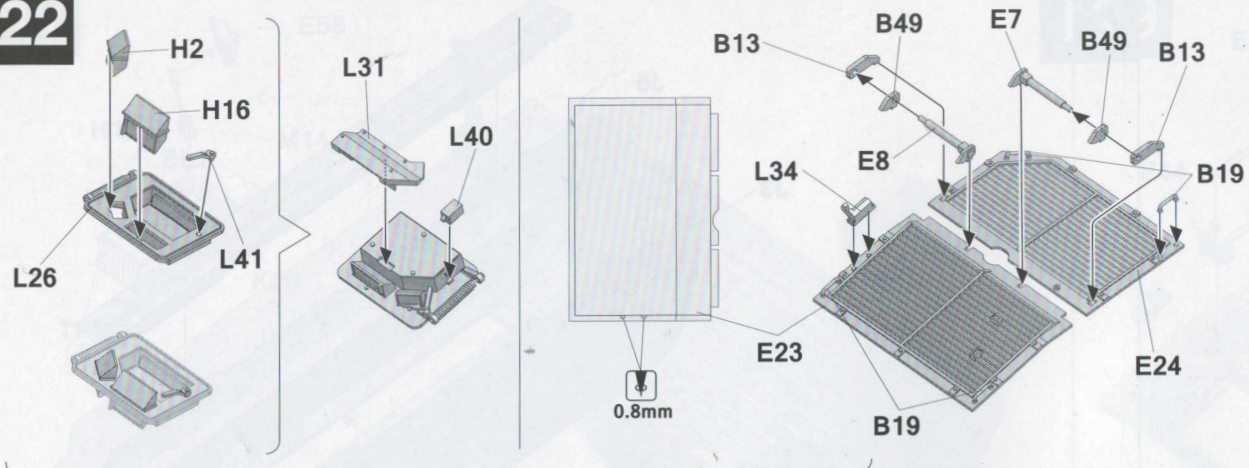
20



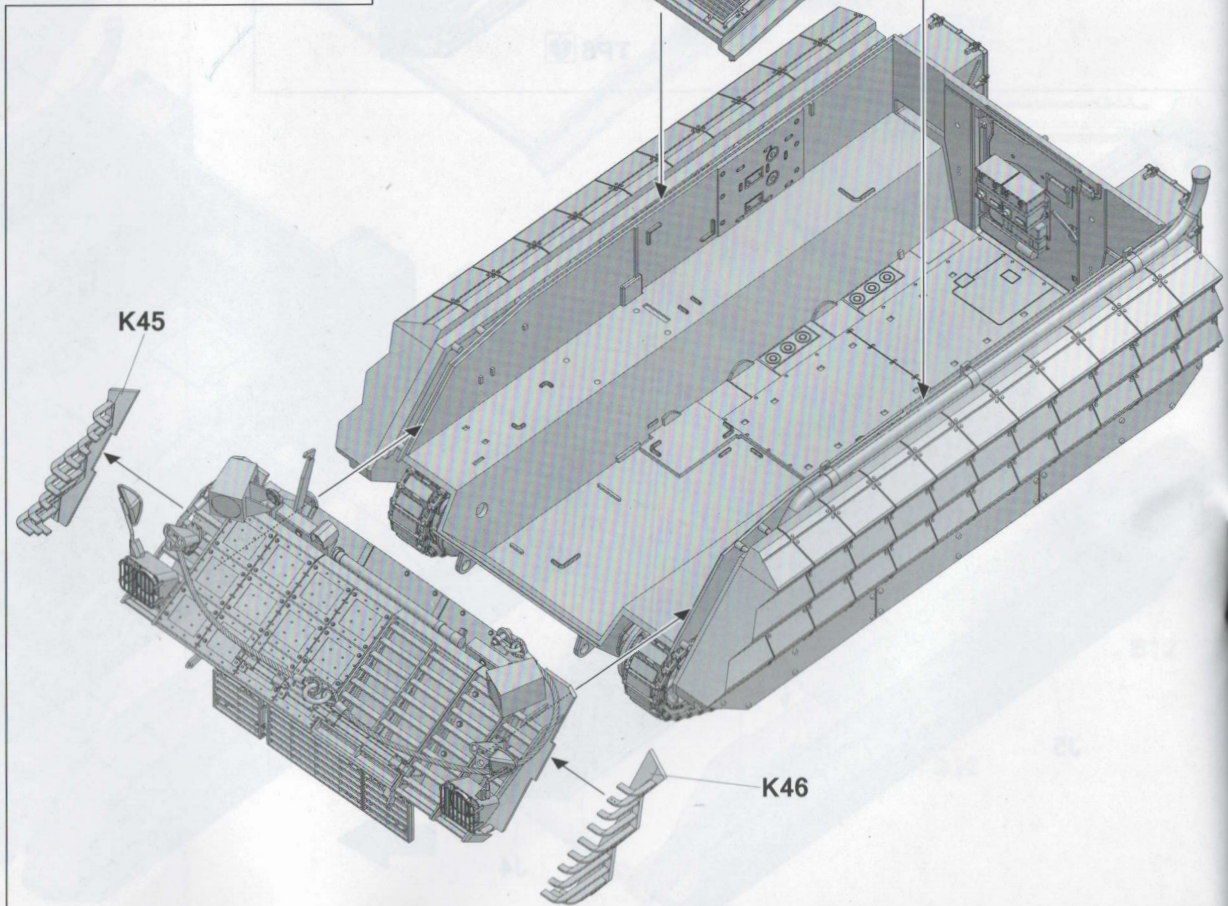
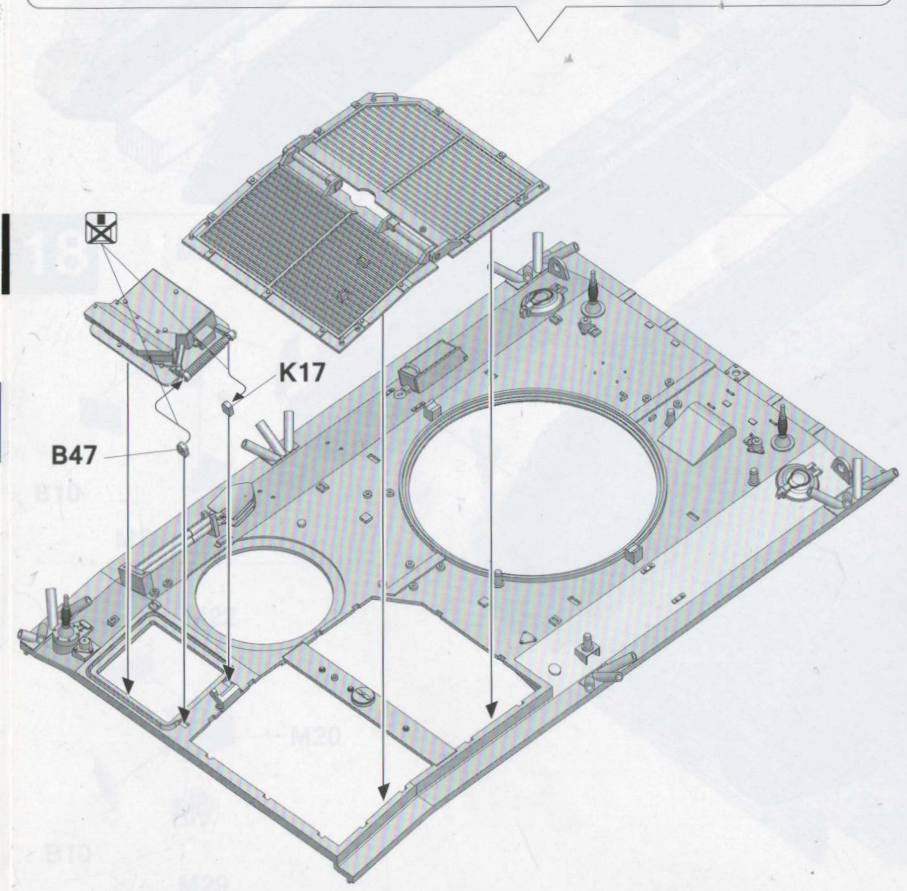
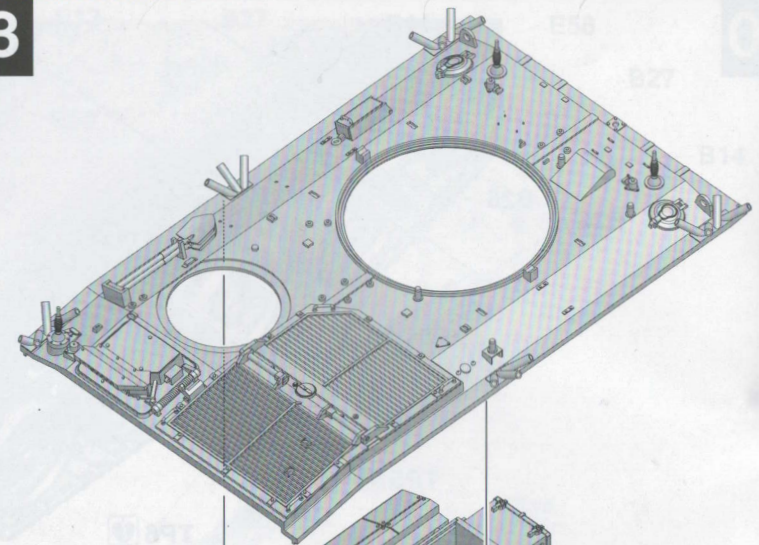
21



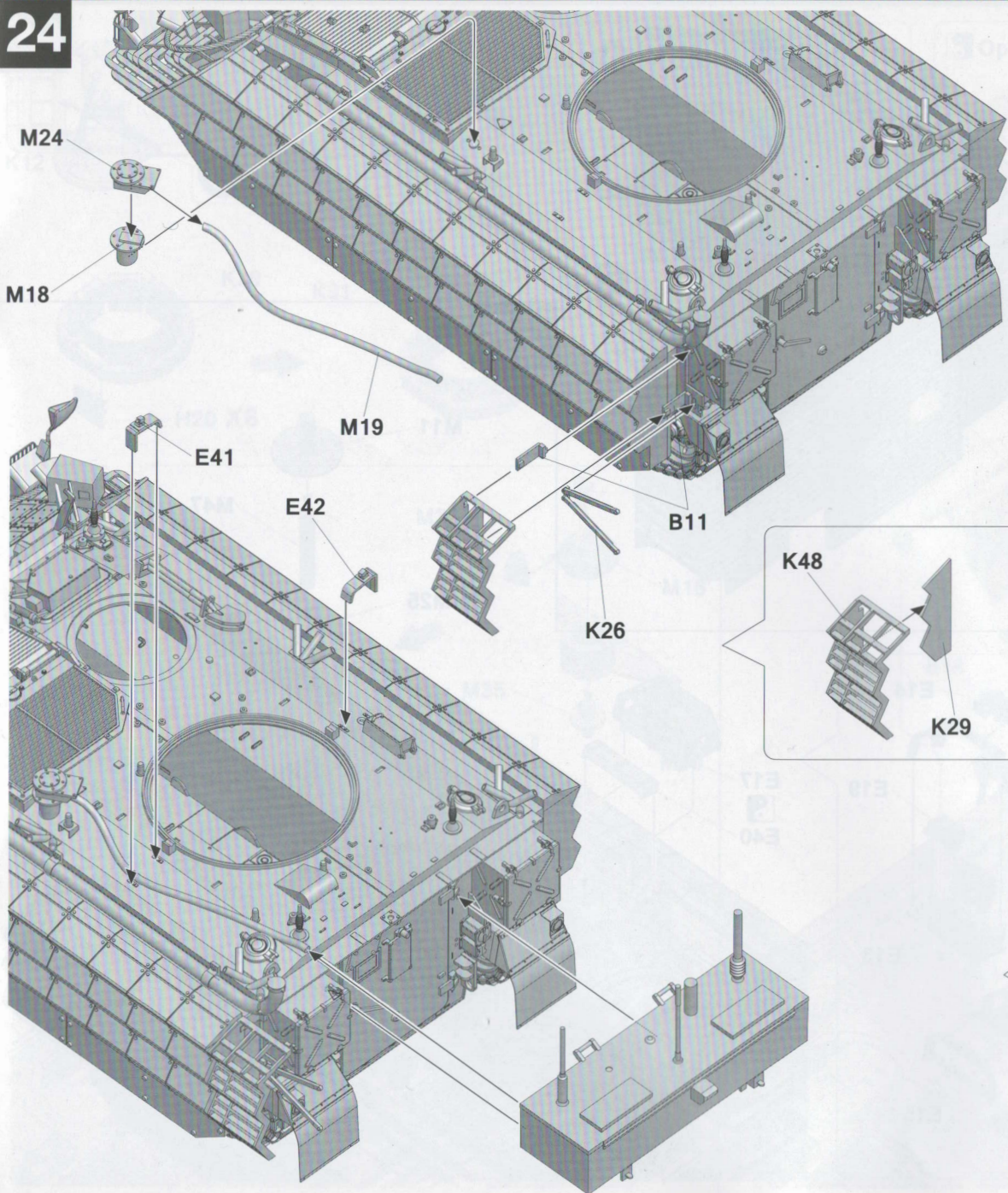
22



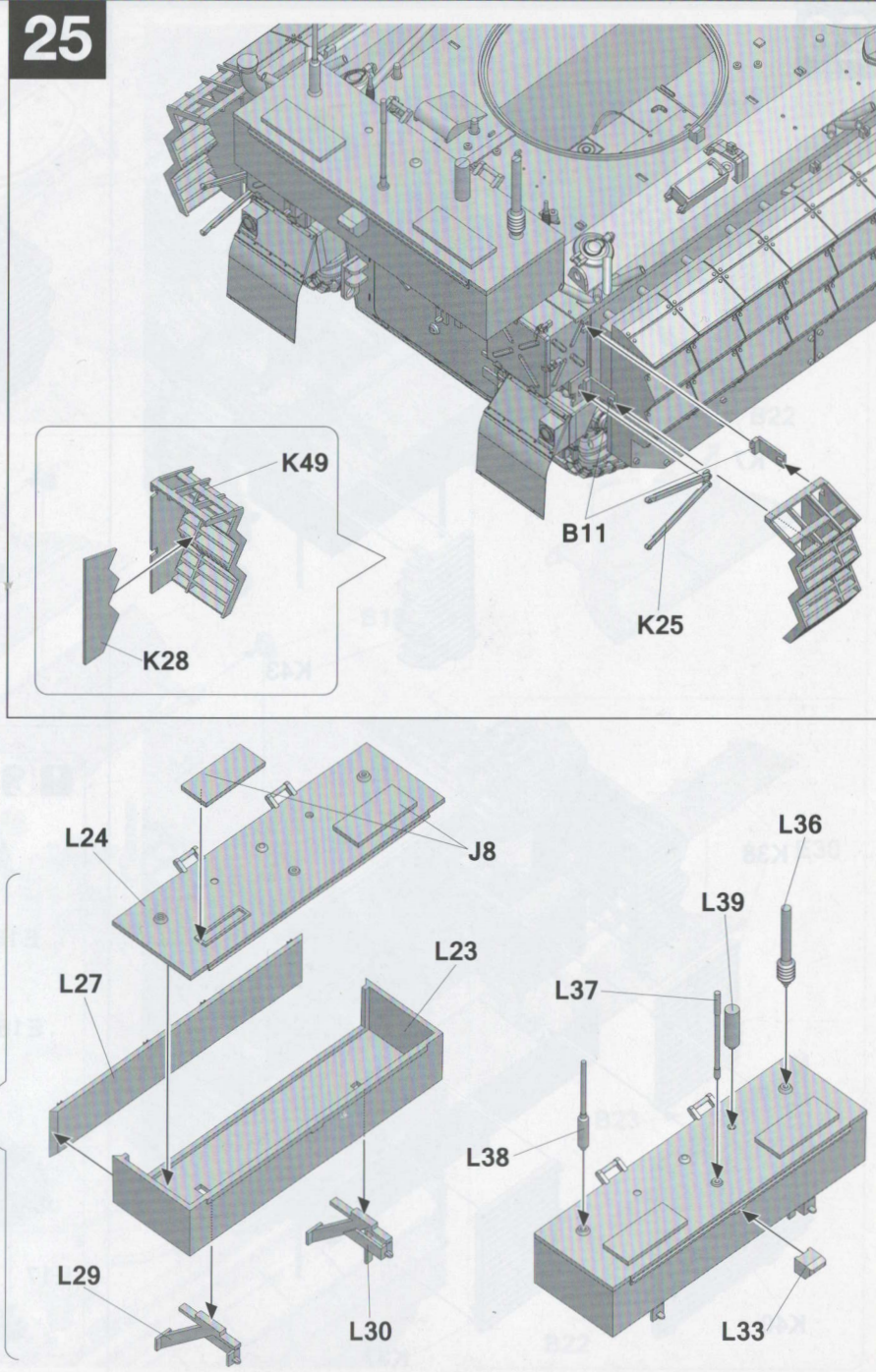
23



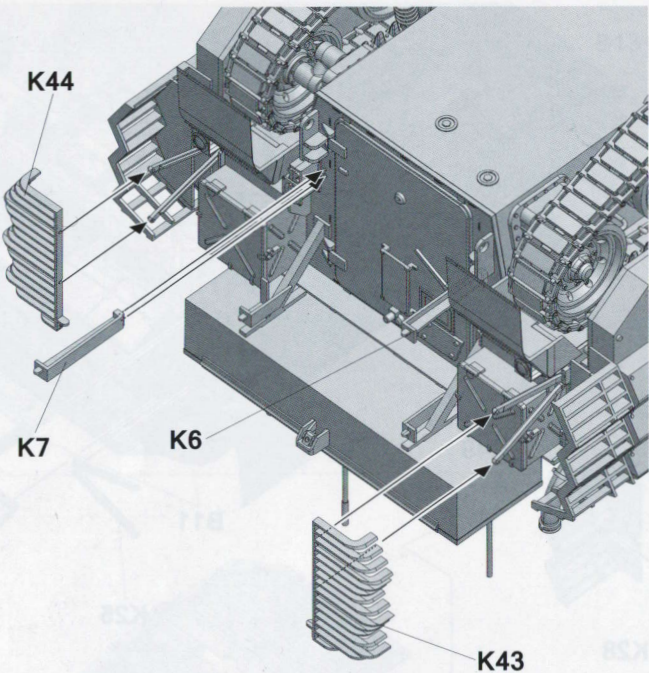
24



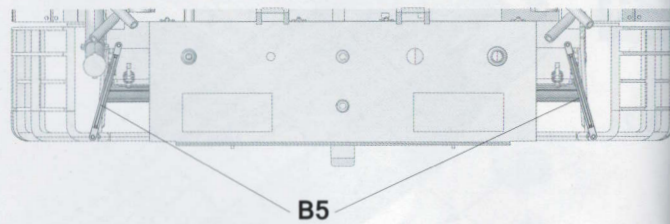
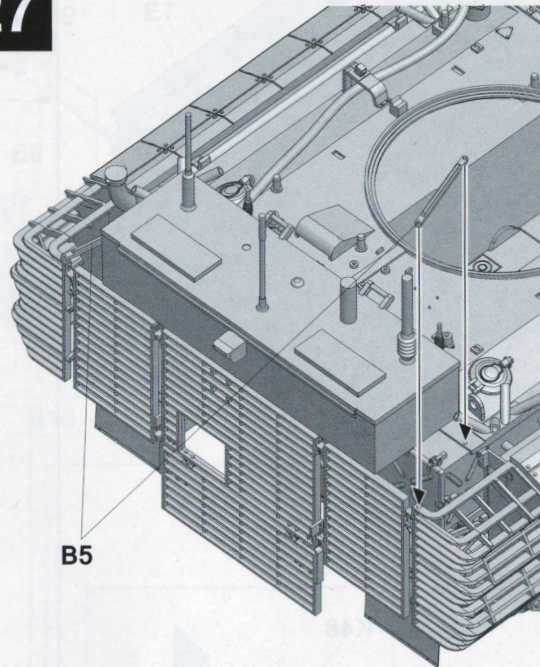
25



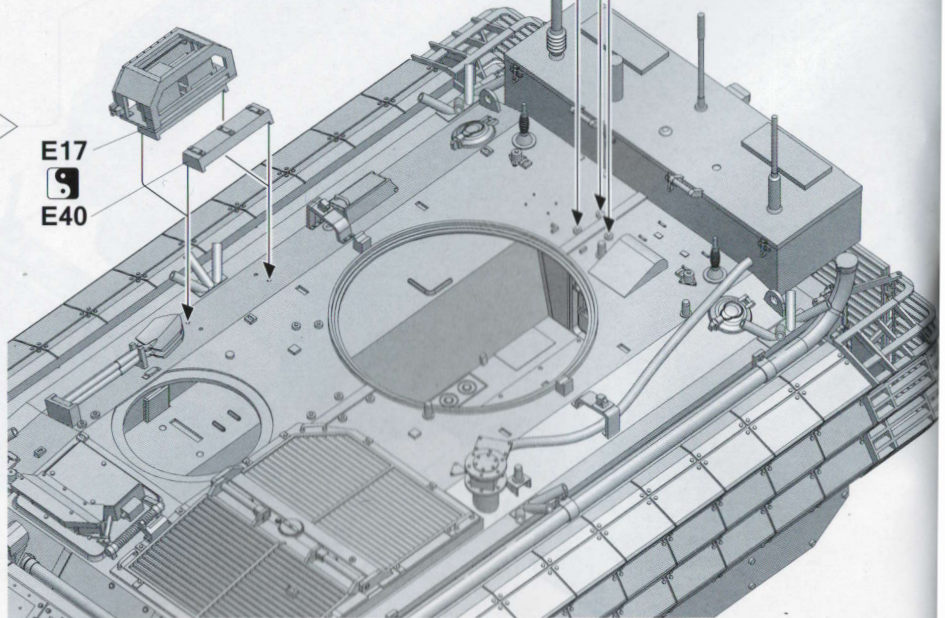
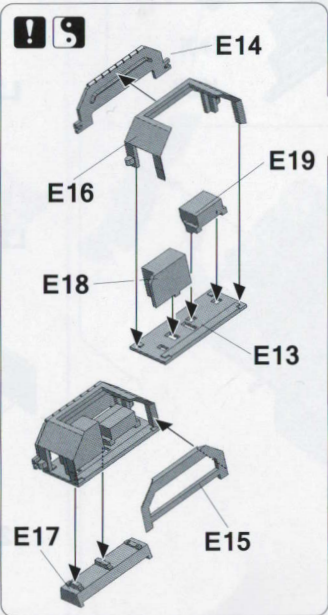
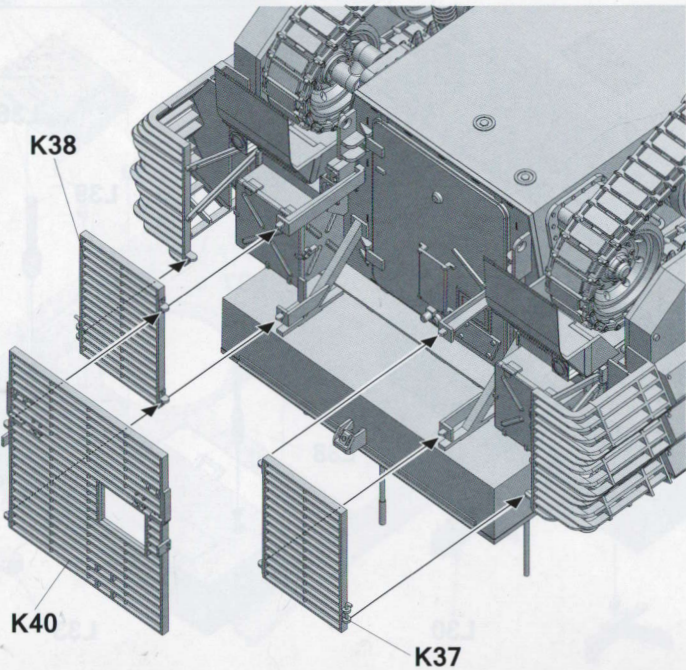
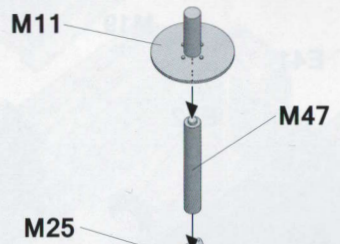
26

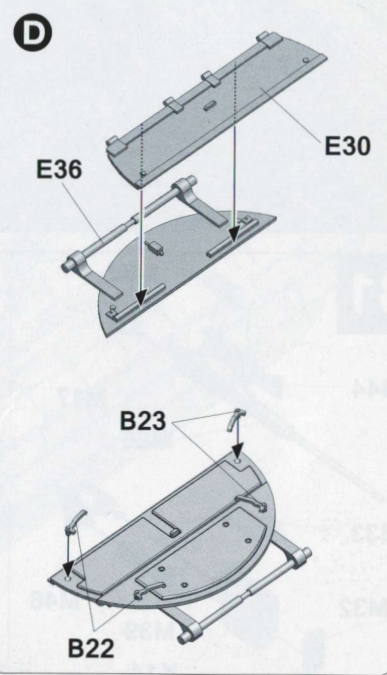
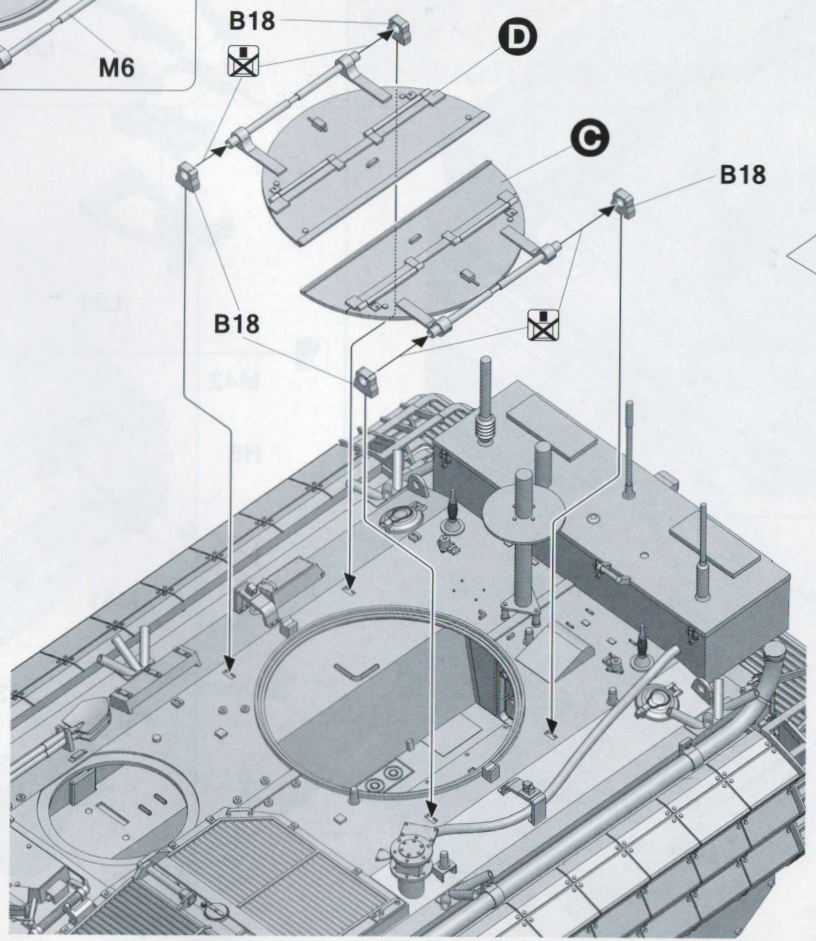
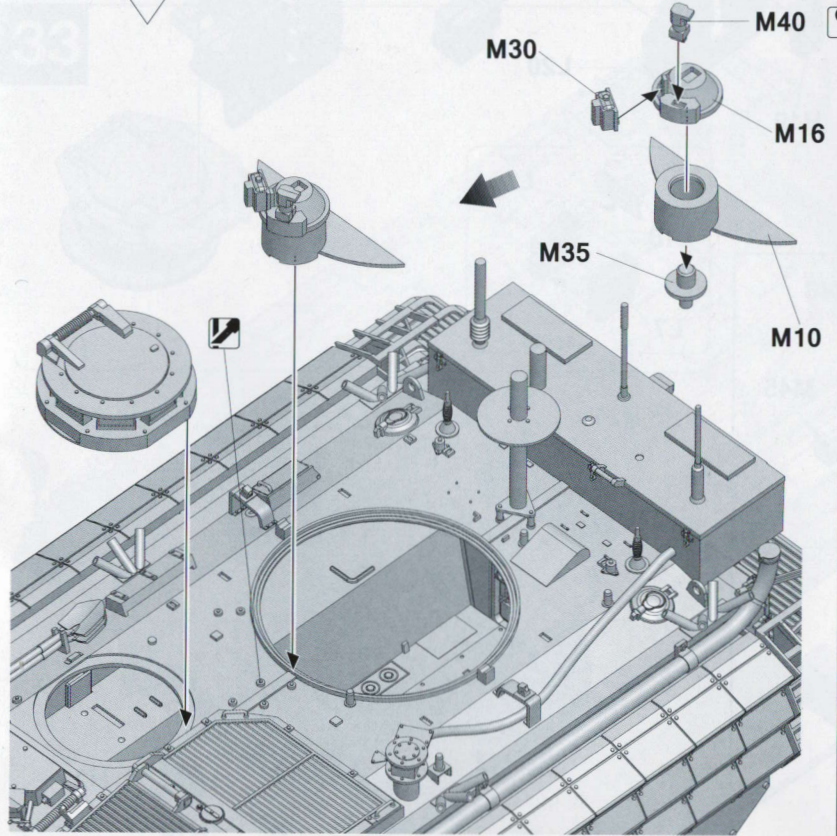
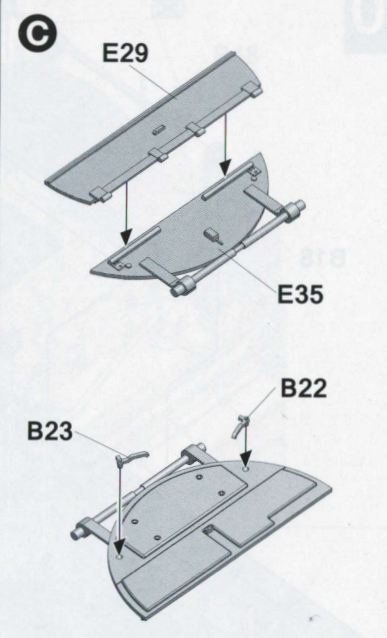
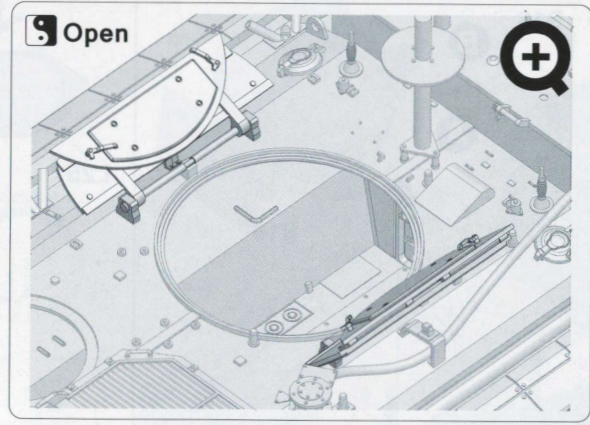
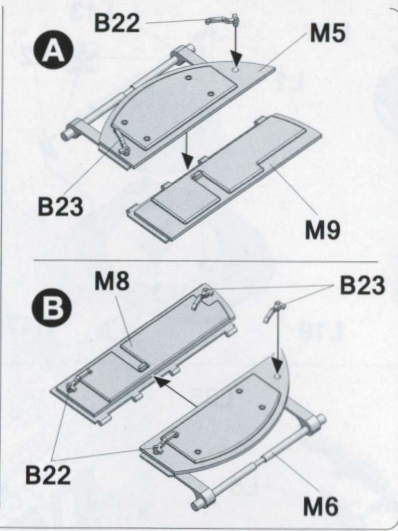
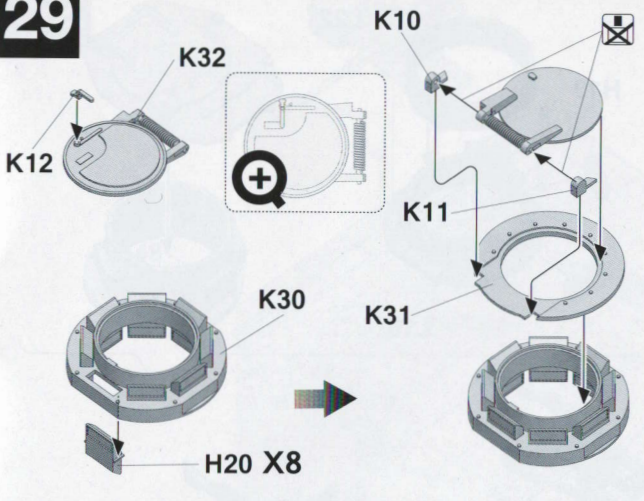


27

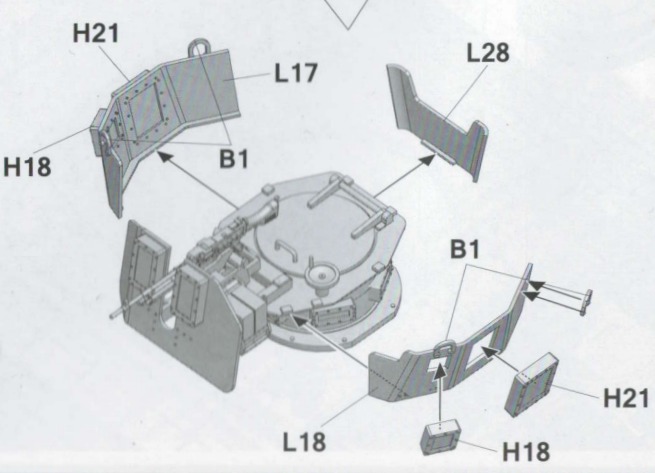
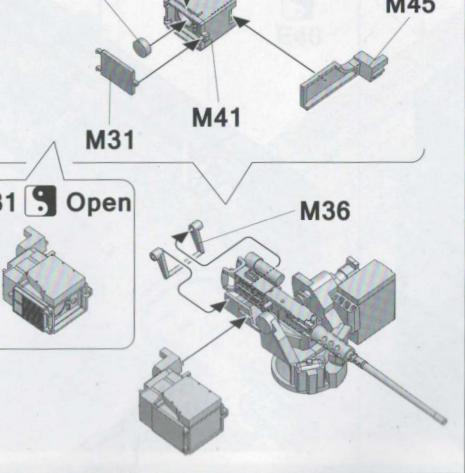
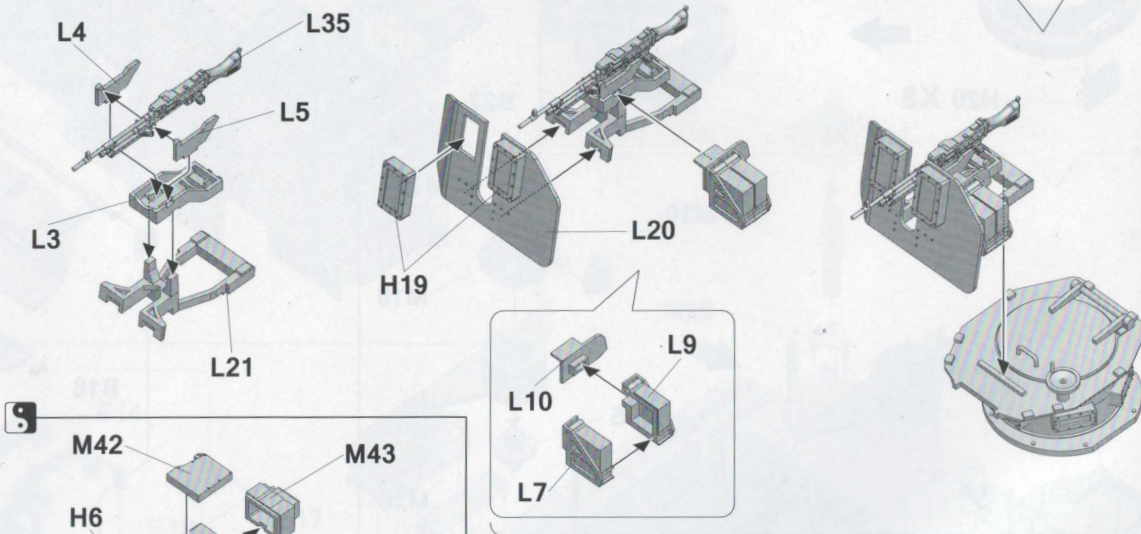
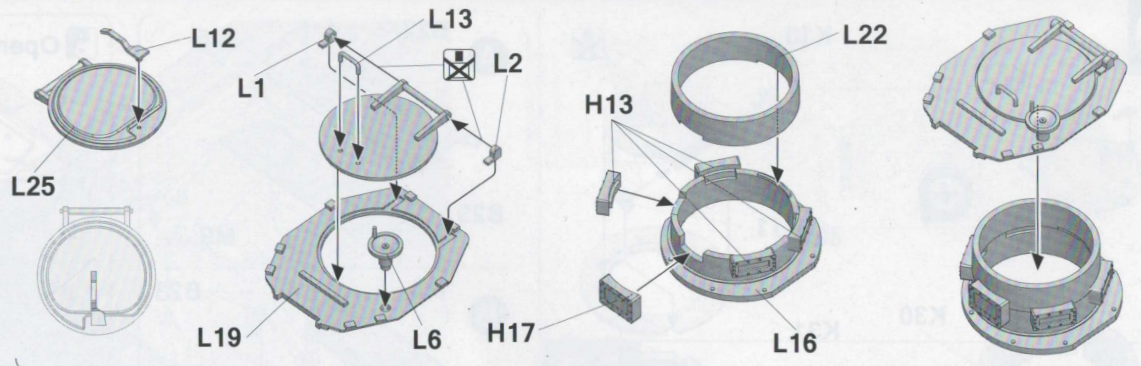
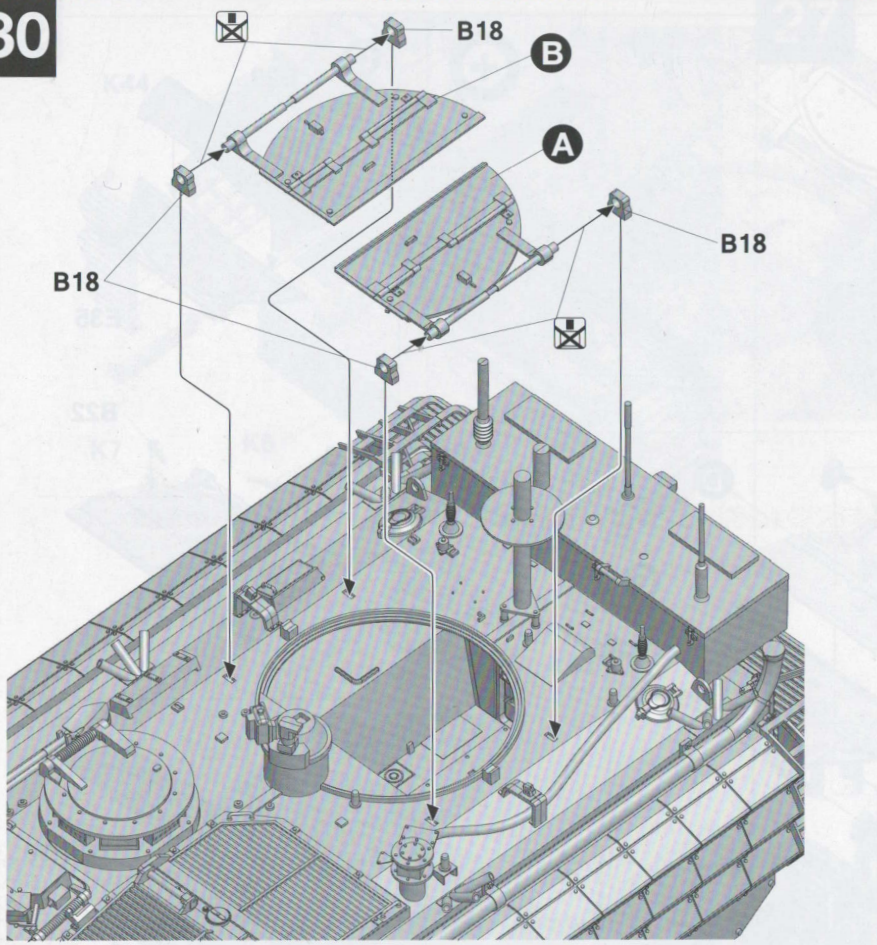


28

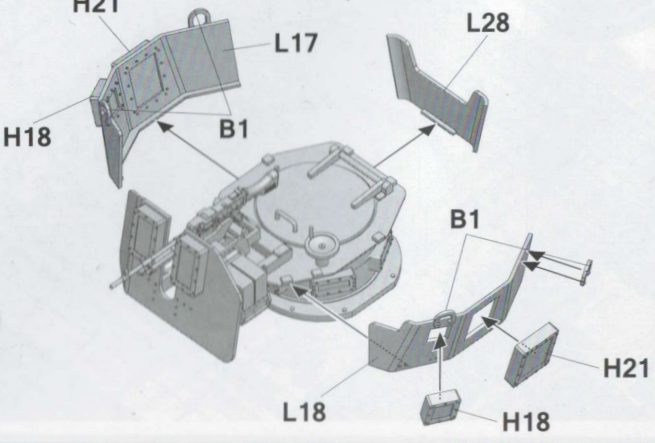
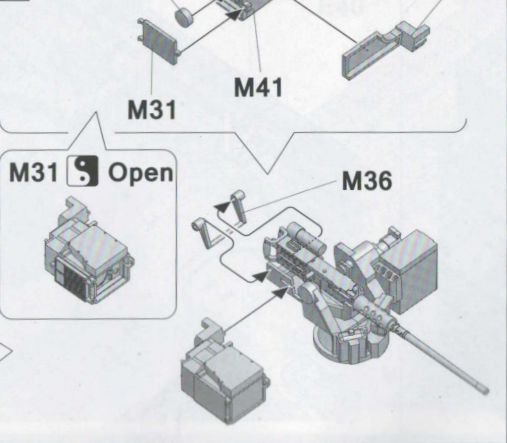
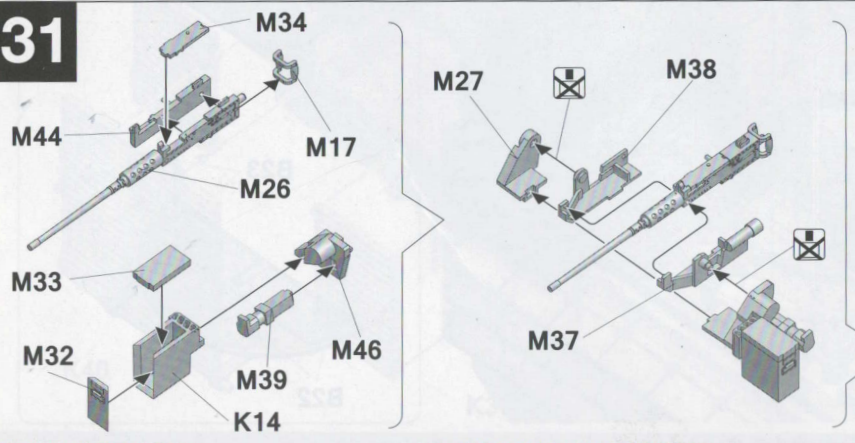




30

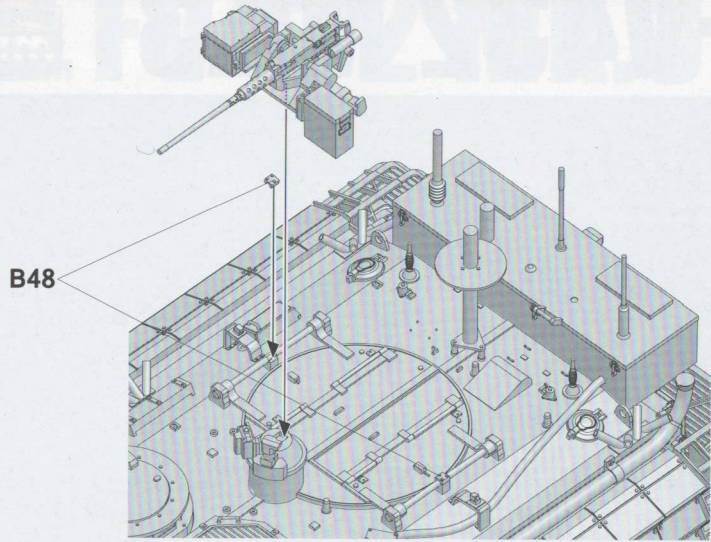


31

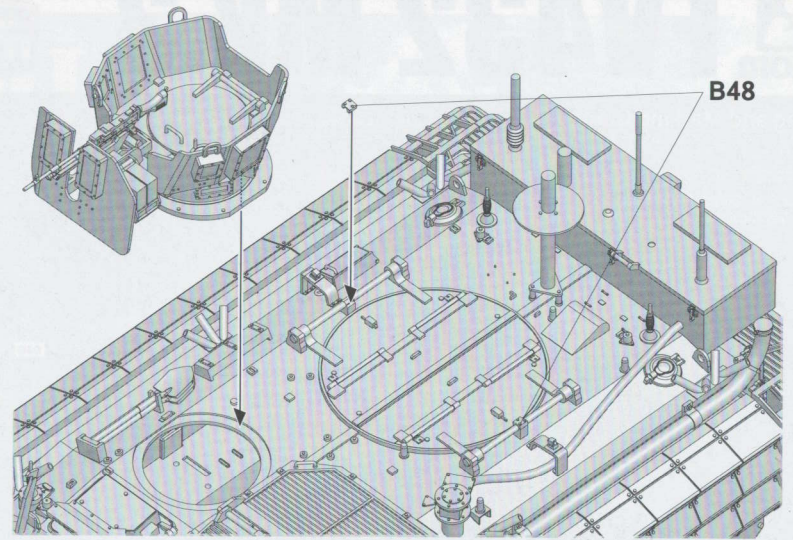




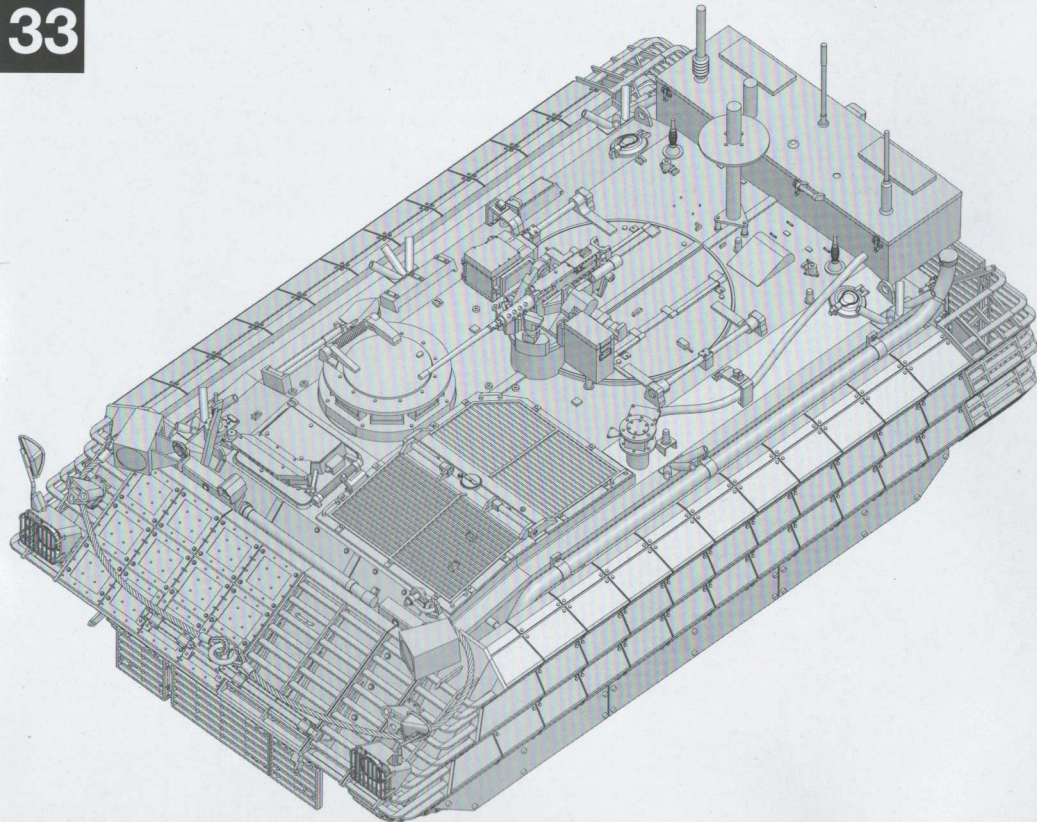
32



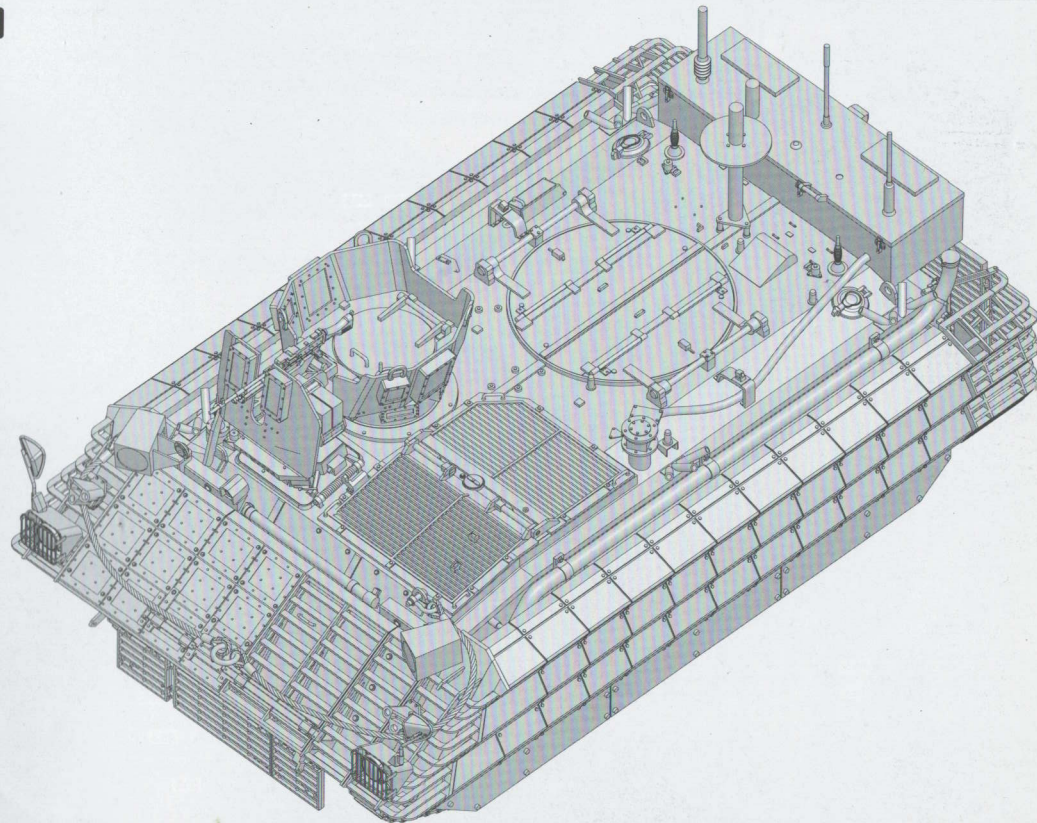
5



33



5





# FV432 Mk.3

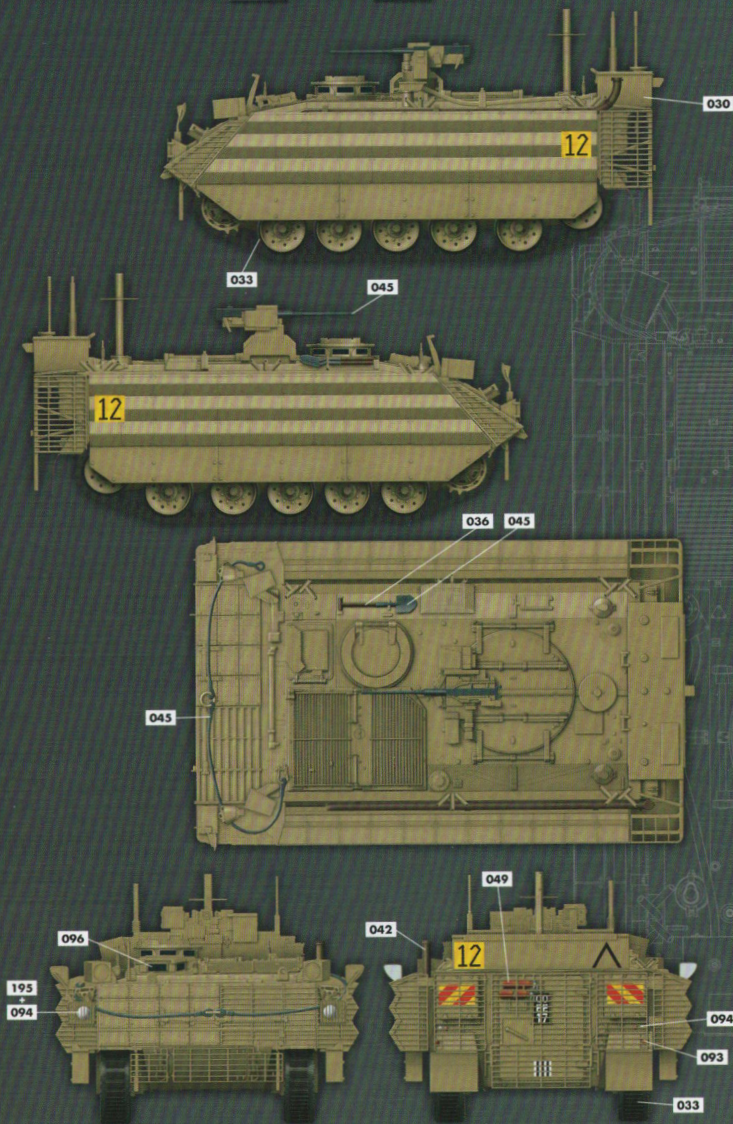
Color info and profiles by



## Painting and Marking Guide

- A.MIG 033** Rubber & Tires
- A.MIG 036** Old Wood
- A.MIG 042** Old Rust
- A.MIG 045** Gun Metal
- A.MIG 049** Red
- A.MIG 093** Crystal Red
- A.MIG 094** Crystal Glass
- A.MIG 096** Crystal Periscope Green
- A.MIG 195** Silver
- A.MIG 030** Sand Yellow

1st battalion Scots Guards Reconnaissance Platoon, Operation Telic, Southern Iraq, January 2008.



A



# FV432 Mk.3

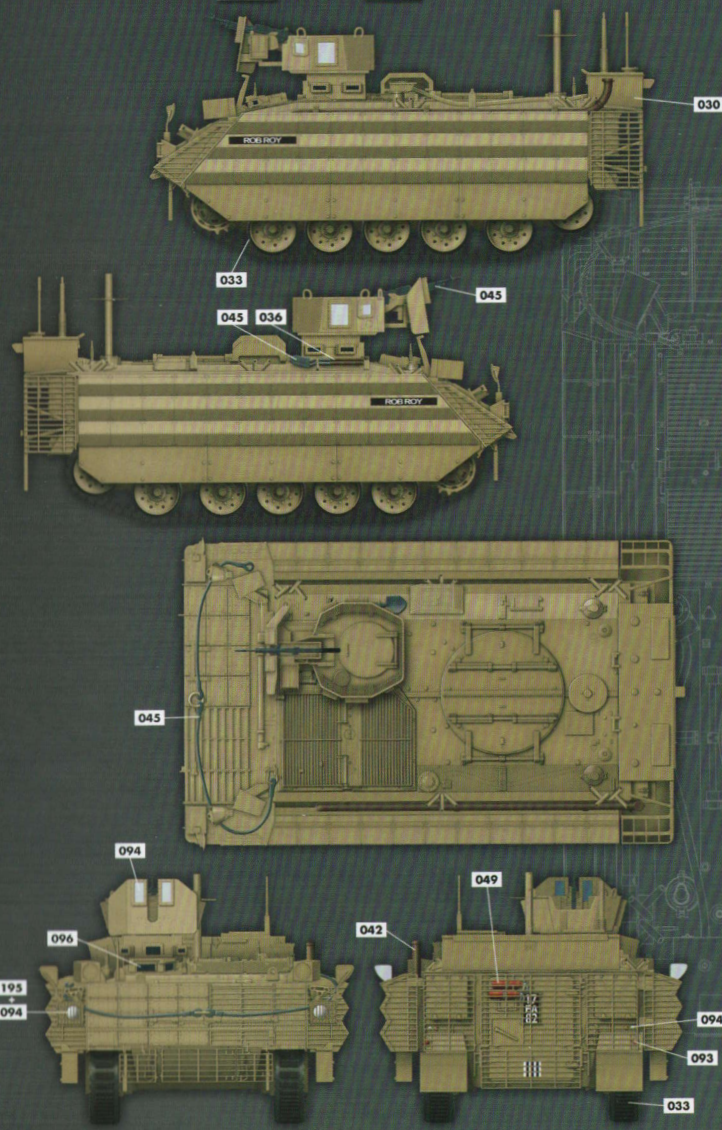
Color info and profiles by



## Painting and Marking Guide

- A.MIG 033** Rubber & Tires
- A.MIG 036** Old Wood
- A.MIG 042** Old Rust
- A.MIG 045** Gun Metal
- A.MIG 049** Red
- A.MIG 093** Crystal Red
- A.MIG 094** Crystal Glass
- A.MIG 096** Crystal Periscope Green
- A.MIG 195** Silver
- A.MIG 030** Sand Yellow

1st battalion Scots Guards Reconnaissance Platoon, Operation Telic, Southern Iraq, January 2008.



B



# FV432 Mk.3

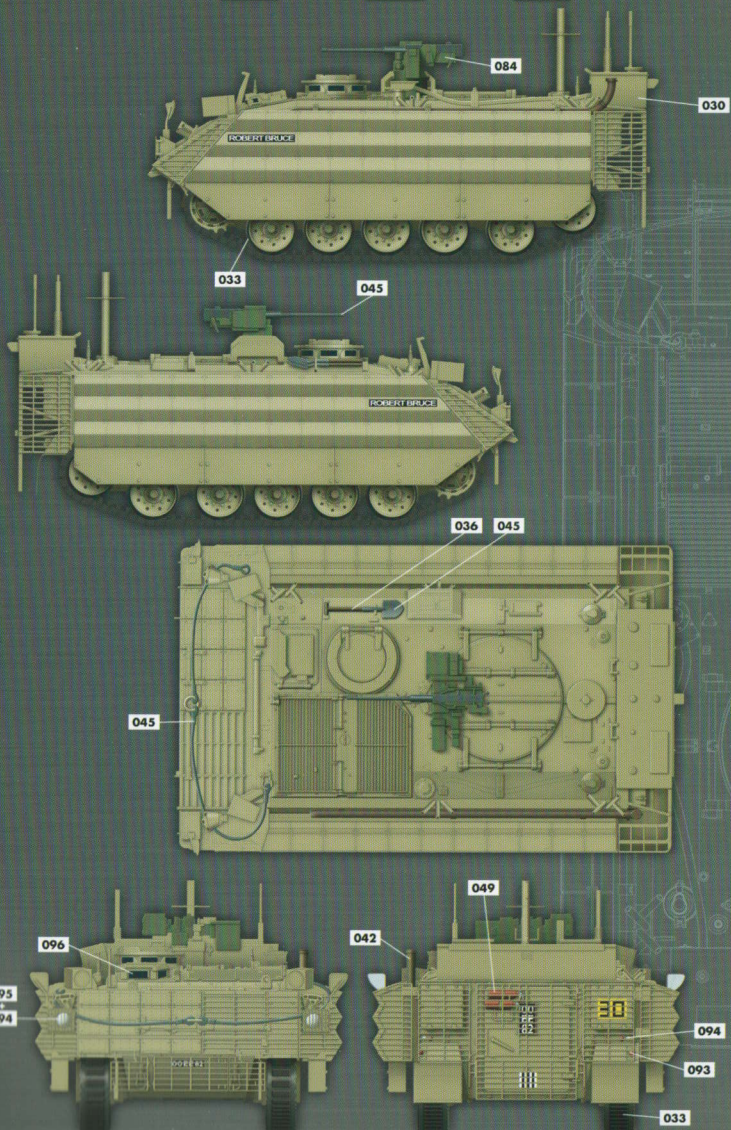
Color info and profiles by



## Painting and Marking Guide

<b>A.MIG 033</b> Rubber & Tires	<b>A.MIG 036</b> Old Wood	<b>A.MIG 042</b> Old Rust	<b>A.MIG 045</b> Gun Metal
<b>A.MIG 049</b> Red	<b>A.MIG 093</b> Crystal Red	<b>A.MIG 094</b> Crystal Glass	<b>A.MIG 096</b> Crystal Periscope Green
<b>A.MIG 195</b> Silver	<b>A.MIG 030</b> Sand Yellow	<b>A.MIG 084</b> NATO Green	

1st battalion Scots Guards Reconnaissance Platoon, Operation Telic, Southern Iraq, January 2008.



TAKOM FV432 Mk.3 w/Interior Ref: 2067

# AML-60

A DETAILED STATIC DISPLAY PLASTIC MODEL.  
 A FRONT WHEEL CAN BE STEERING.  
 A CLEAR PARTS INCLUDED.  
 A TYPE OF MARKINGS.  
 A THIS IS NOT A TOY.

**FRENCH LIGHT ARMoured CAR**



1/35 No.2064

A. READY TO ASSEMBLE PRECISION MODEL KIT. B. INTENDED FOR COLLECTORS OF AGE 14 YEARS AND ABOVE. C. MODEL MAY VARY FROM IMAGE ON BOX. D. CEMENT AND PAINT NOT INCLUDED.

JASON 2017



# AML-90

**FRENCH LIGHT ARMoured CAR** (2 in 1)

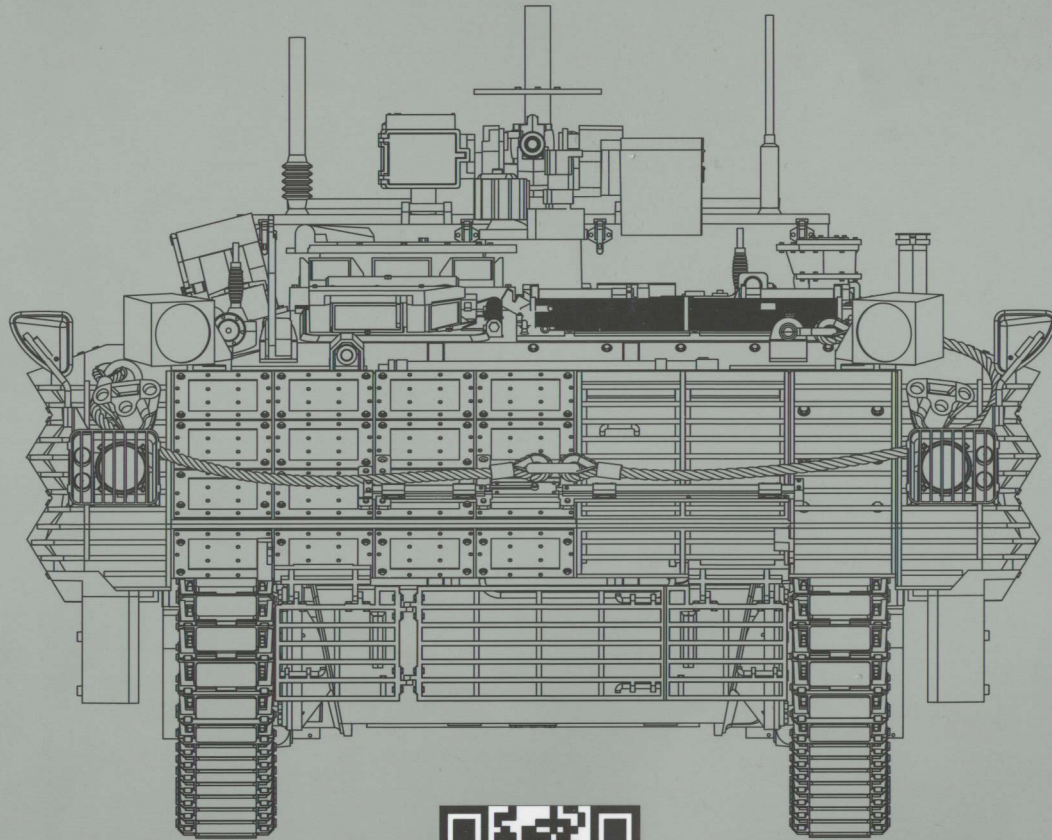
A DETAILED STATIC DISPLAY PLASTIC MODEL.  
 A FRONT WHEEL CAN BE STEERING.  
 A CLEAR PARTS INCLUDED.  
 A TYPE OF MARKINGS.  
 A THIS IS NOT A TOY.



A. READY TO ASSEMBLE PRECISION MODEL KIT. B. INTENDED FOR COLLECTORS OF AGE 14 YEARS AND ABOVE. C. MODEL MAY VARY FROM IMAGE ON BOX. D. CEMENT AND PAINT NOT INCLUDED.

JASON 2017

1/35 No.2077



You can find TAKOM on Facebook.com