

F-100C Super Sabre

F-100C “超佩刀” 战斗机

READ BEFORE ASSEMBLY:

- Study and understand these instructions thoroughly before beginning assembly
- When needed, remove photo-etch parts carefully using a modeling knife or photo etch sprue cutter, being careful not to damage or lose small parts.
- Take extra care in handling photo etch parts in order to avoid injury
- Apply instant cement sparingly to photo etch parts where instructed
- Tools recommended(not included in kit):Plastic and instant cements,sprue cutters,long nose pliers,,modeling knife, small files, tweezers, pin vise & scissors. Soft cloth and sandpaper will also assist in construction
- Glue and paint are not included in the kit. Use plastic cement and hobby paints only. Color guide for purchasing paint is included in the kit.

装配之前仔细阅读

- 小心用模型锉刀锉平所有零件表面的注射浇口。
- 小心用刀片切下蚀刻片零件，不要遗失小零件。
- 用强力快干胶水粘合蚀刻片零件和金属轴。过量的快干胶水使用可能导致可动零件会粘住，小心涂胶。
- 取蚀刻片时应特别注意安全，防止利边划伤手指。
- 某些零件表面需贴上水贴纸，请选择在装配的同时进行。
- 推荐模型工具(自备)：胶水，水口剪刀，长咀钳，刀片，锉刀，镊子，钳，钻，剪刀，瞬间快干胶。
- 软布同砂纸同时也应该是必备工具。
- 请使用塑料胶水和油漆，模型内不含。



cianoacrylate glue
使用强力胶



weight
配重



make hole
钻孔



cut / remove
切除



bend
弯曲



file / sand
锉平



option
选择



no cement
不涂胶水



decal
贴纸

水贴纸的使用:

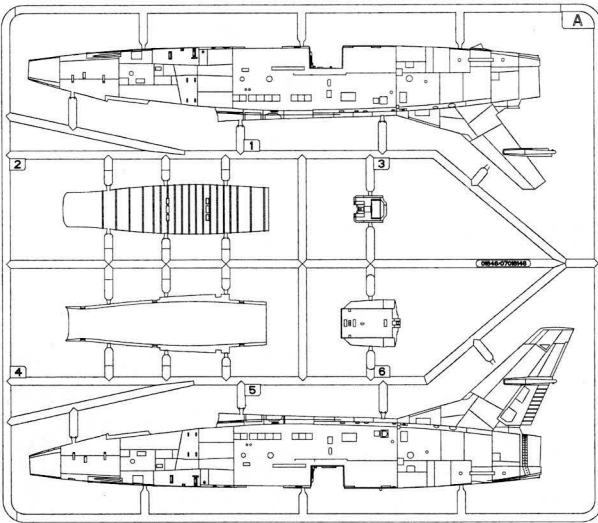
1. 从水贴纸上剪下印花;
2. 将印花放入温水中浸10秒，然后放在干净布上。
3. 拿着印花纸板将印花移到模型上;
4. 手指蘸水将印花移到适当的位置;
5. 用软布轻压印花直至水干，气泡消失。

DECAL APPLICATION:

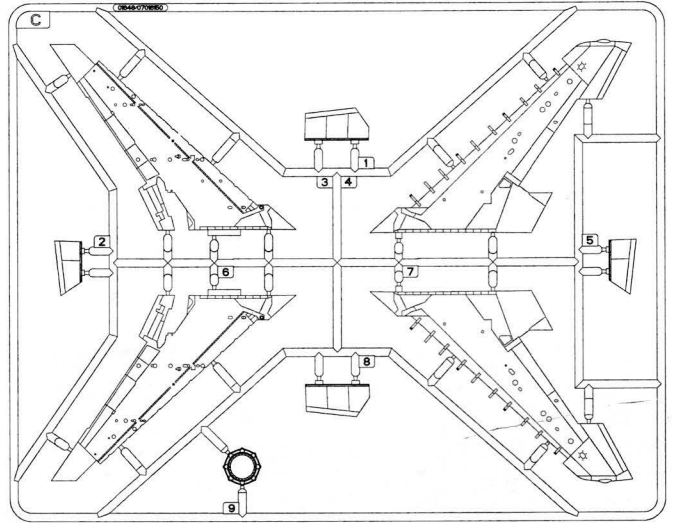
1. Cut decals from sheet as needed
2. Dip the decal in warm water for about 10 seconds and then place on soft clean cloth.
3. Hold the decal backing sheet edge and gently slide the decal onto the model in its proper position.
4. While still wet, decal can be adjusted for better fit on model by dampening it gently with your finger.
5. When placed in the proper position, gently press decal down with a soft cloth until excess water and air bubbles are gone.
6. Allow decal to dry completely before handling model

部品图 Parts

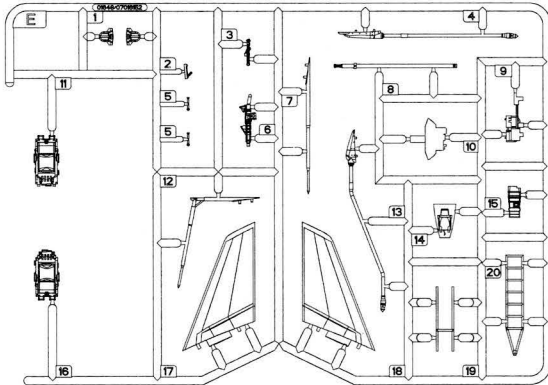
A



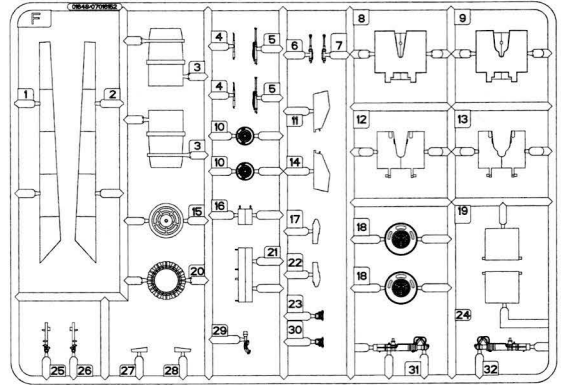
C



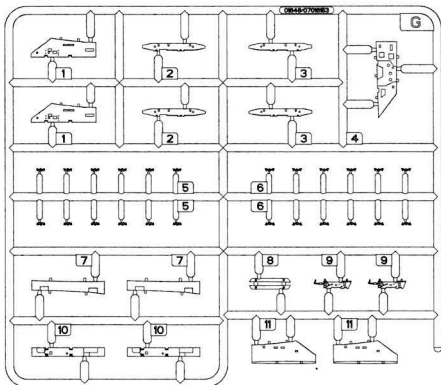
E



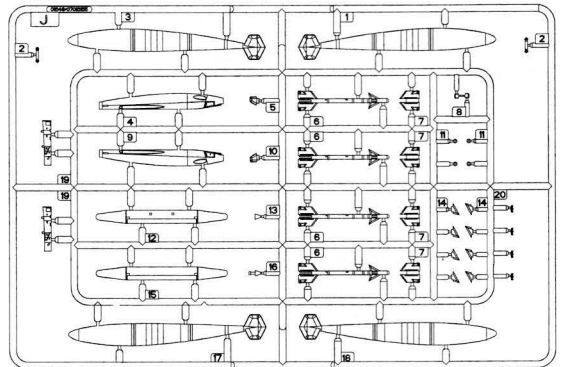
F



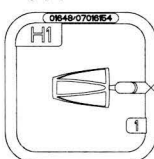
G



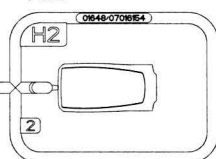
J



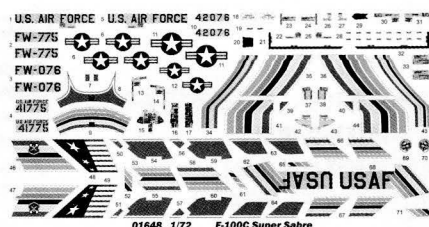
H1



H2

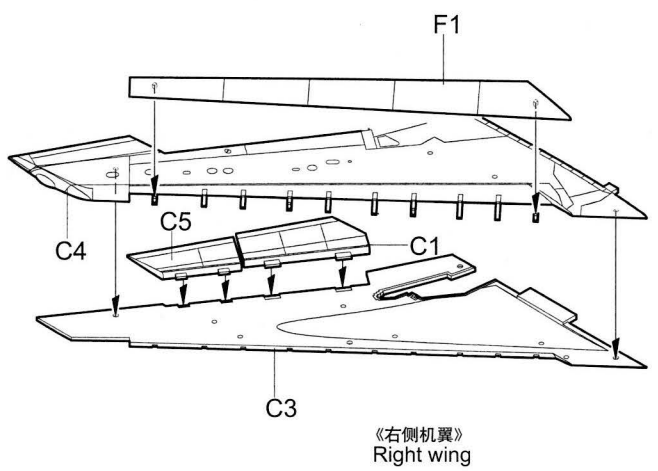
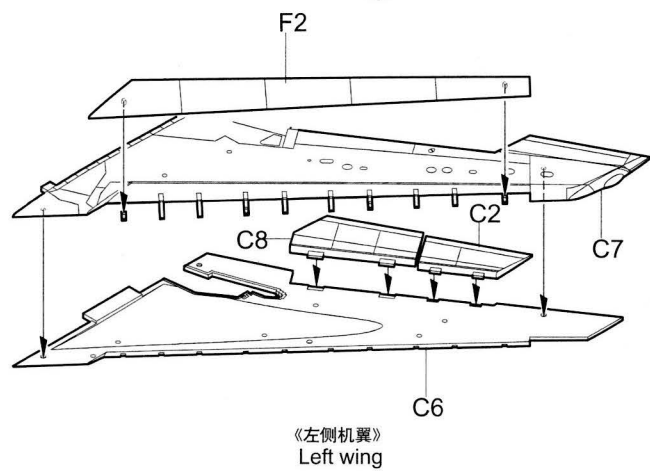
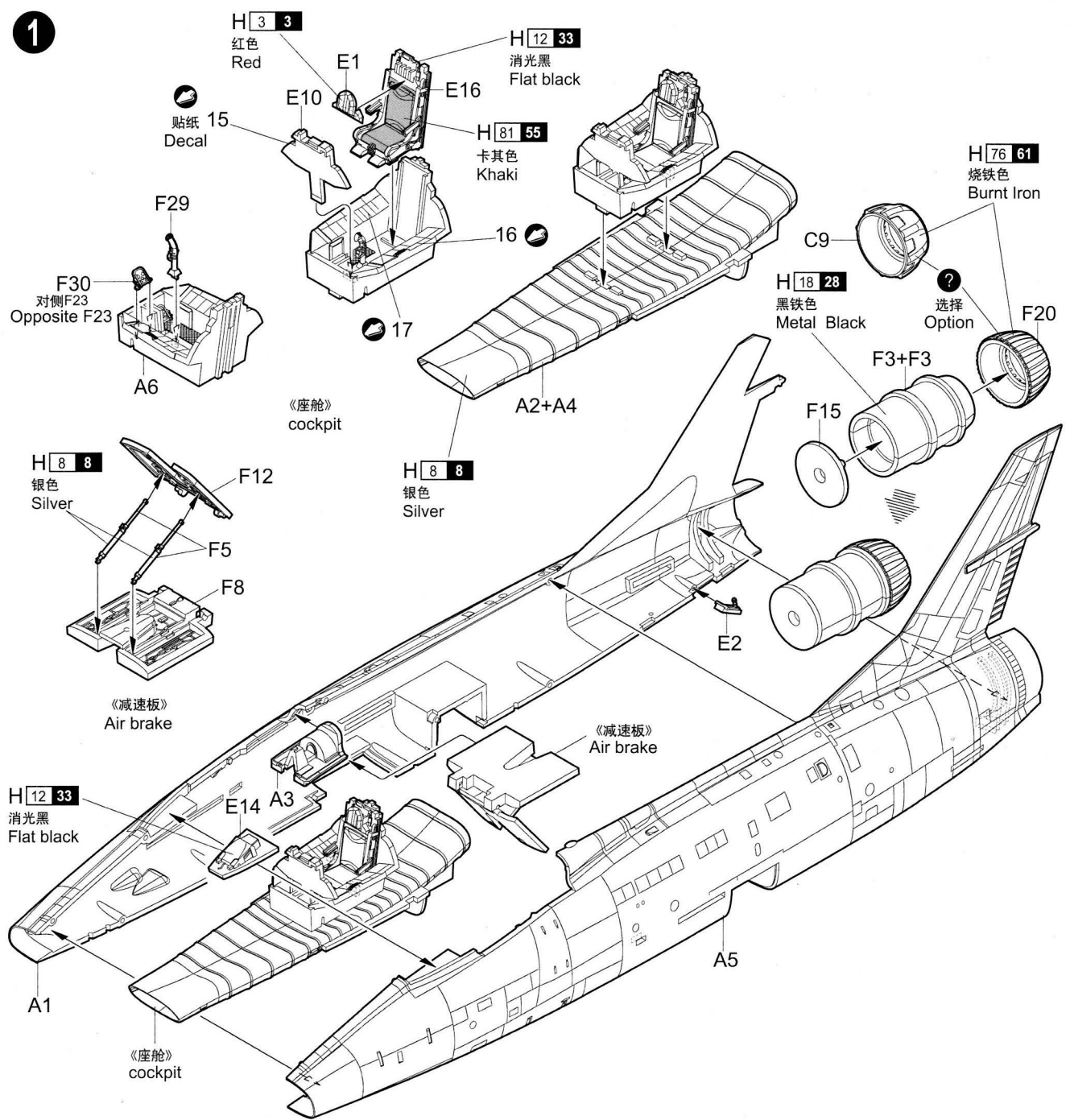


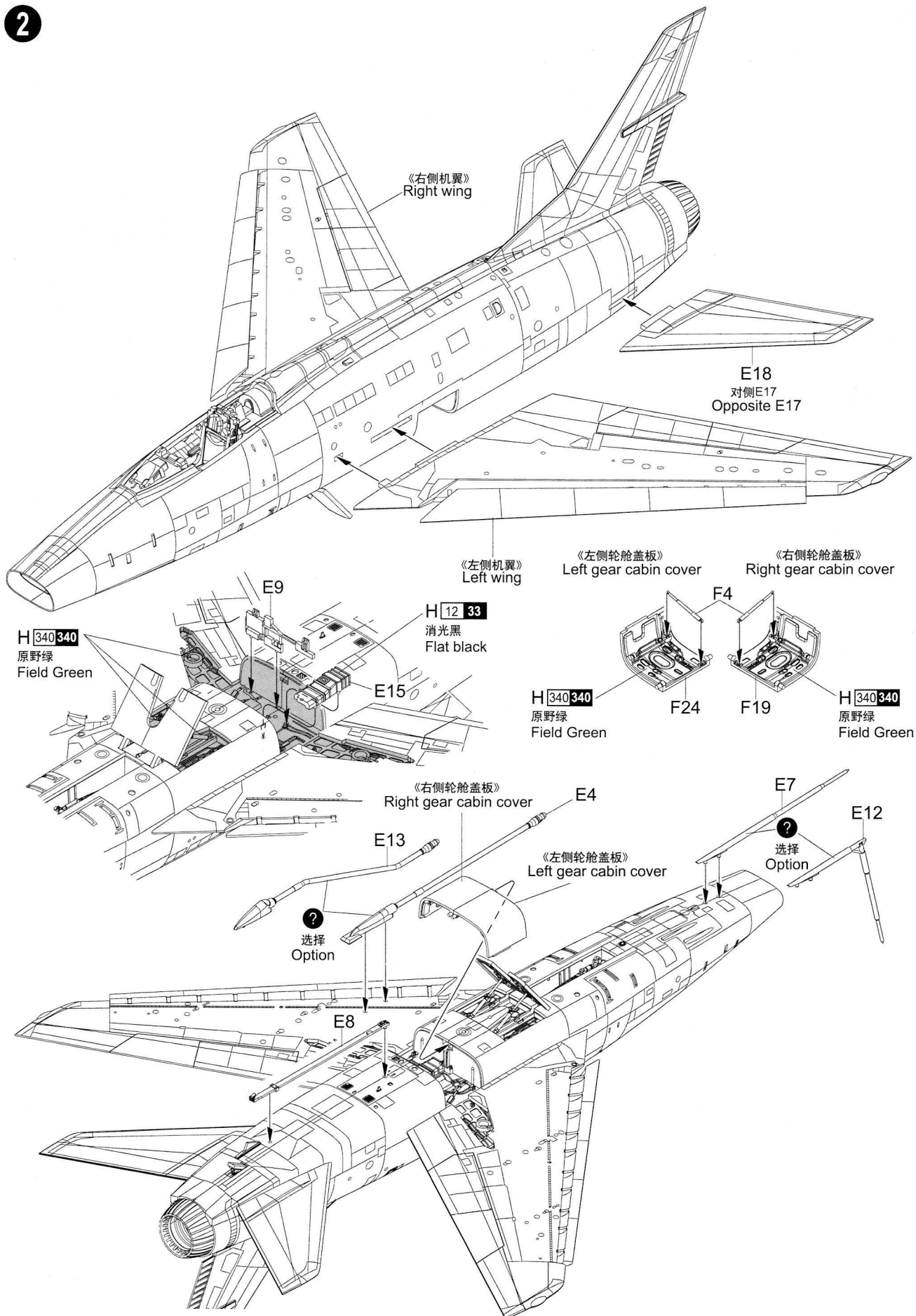
《水帖》
Decal



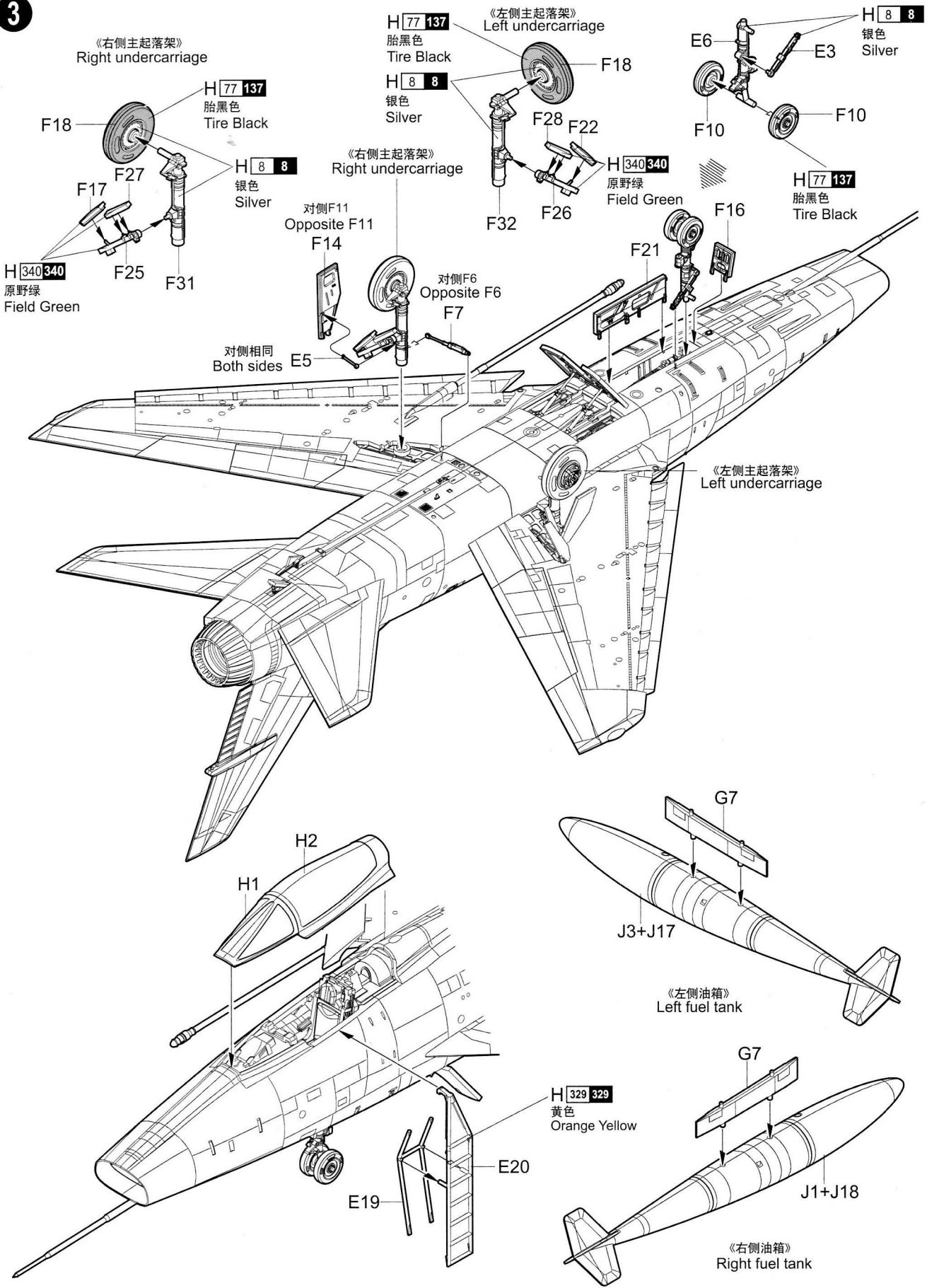
不用的部件:
Unused parts: E16.F9.F13.J4.J5.J8.J9.J10.J12.J13.J15.J16.G4.G8

1





3



4

《AIM-9D》

H 316 316

白色
White Insignia

J14



J11

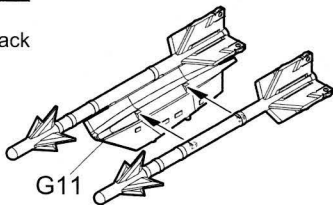


H 8 8

银色
Silver

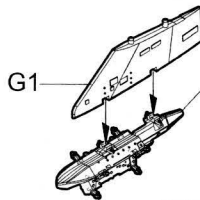
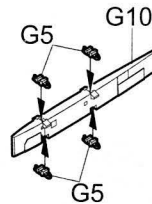
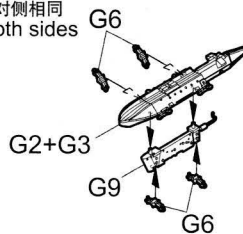
H 12 33

消光黑
Flat black



制作两组
Make two

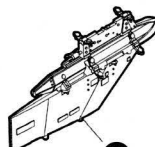
对侧相同
Both sides



?

选择
Option

制作两组
Make two



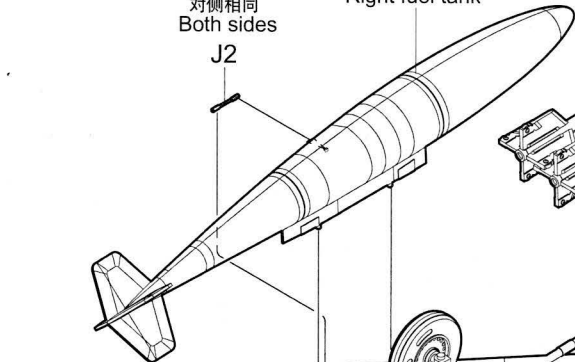
?

选择
Option

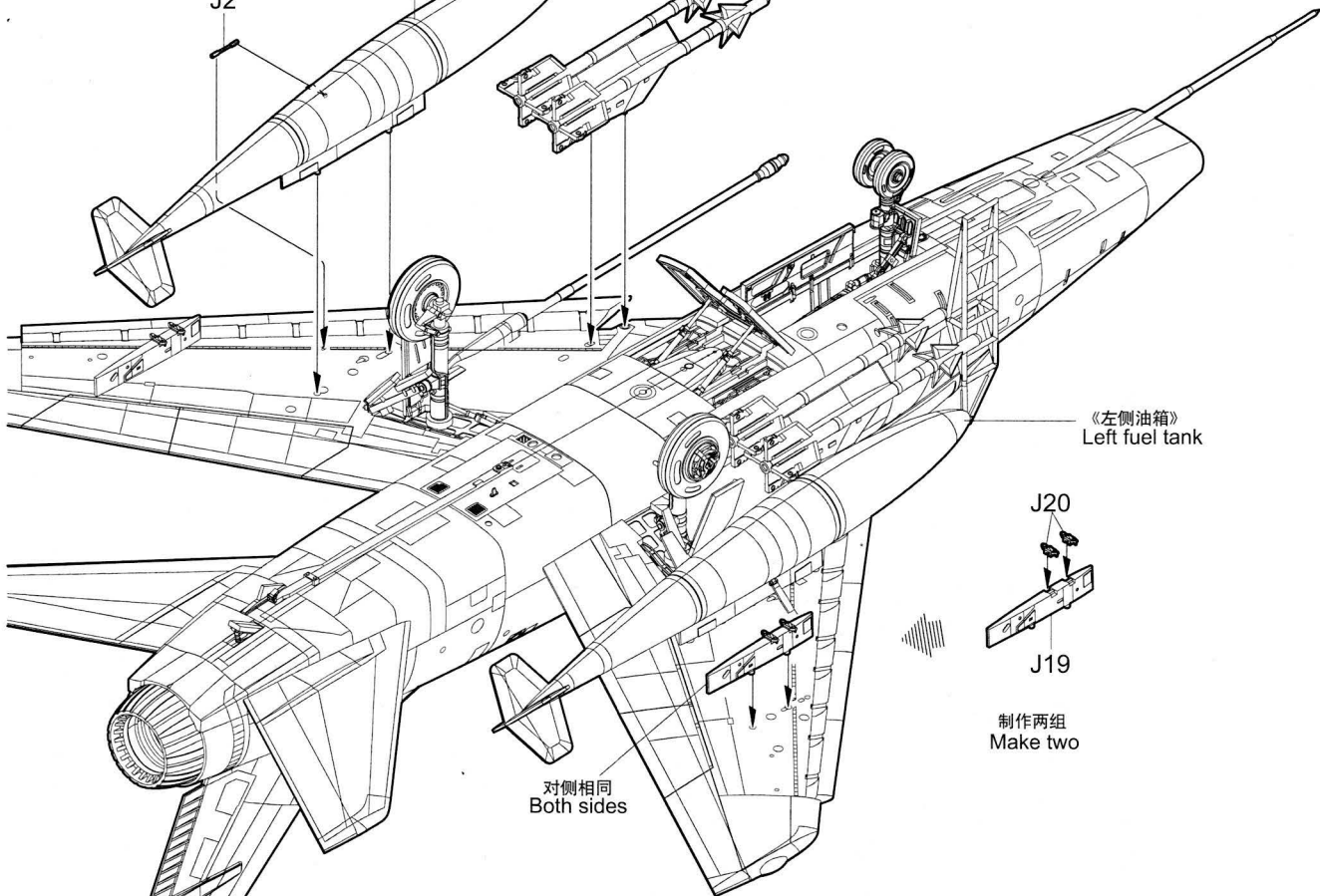
对侧相同
Both sides

《右侧油箱》
Right fuel tank

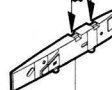
对侧相同
Both sides
J2



《左侧油箱》
Left fuel tank



J20



J19

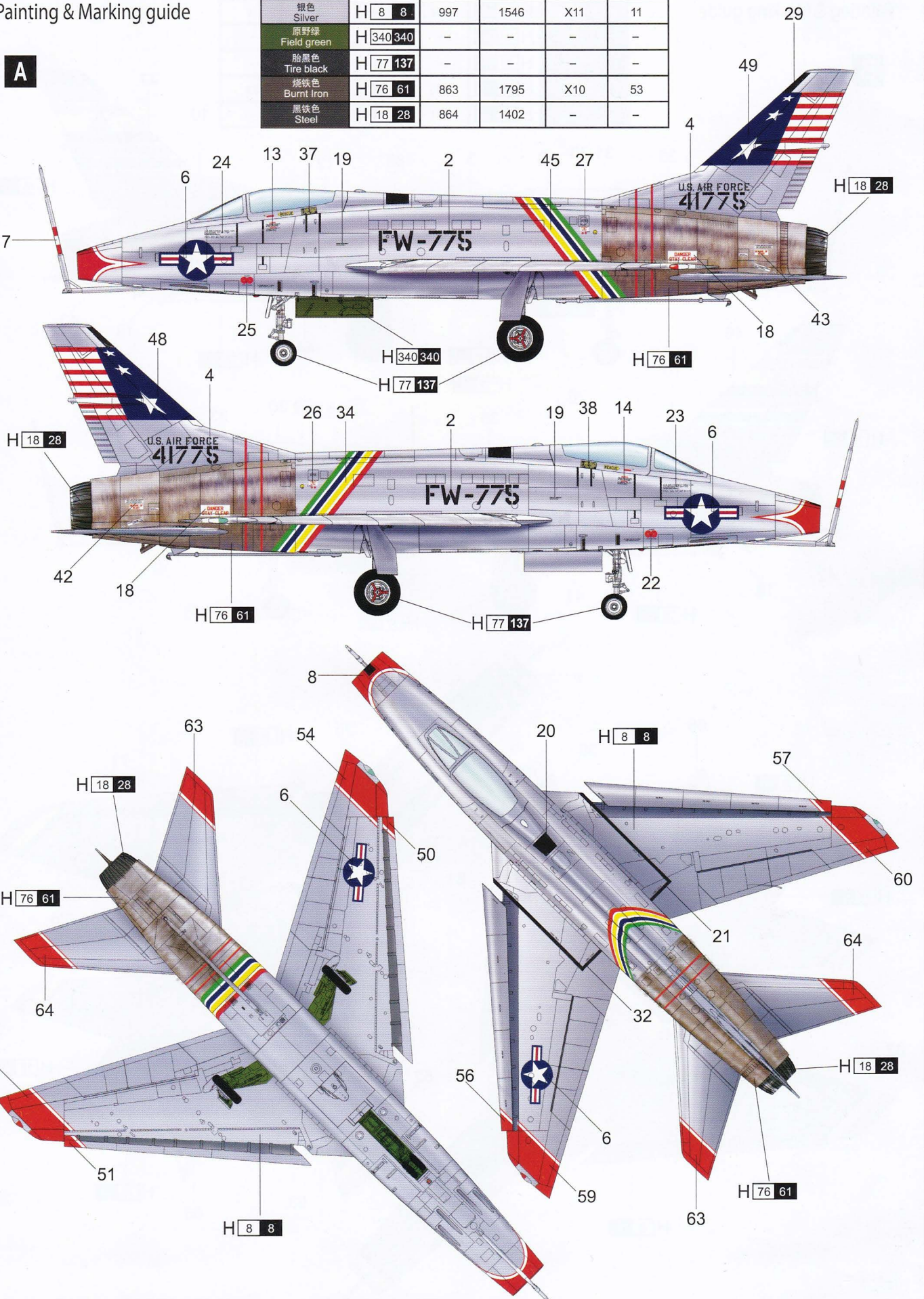
制作两组
Make two

对侧相同
Both sides

涂装同标贴指示
Painting & Marking guide

PAINT REFERENCE COLOUR

Color	Mr.Hobby	Vallejo	Model Master	Tamiya	Humbrol
银色 Silver	H 8 8	997	1546	X11	11
原野绿 Field green	H 340 340	-	-	-	-
胎黑色 Tire black	H 77 137	-	-	-	-
烧铁色 Burnt iron	H 76 61	863	1795	X10	53
黑铁色 Steel	H 18 28	864	1402	-	-



H X AQUEOUS HOBBY COLOR

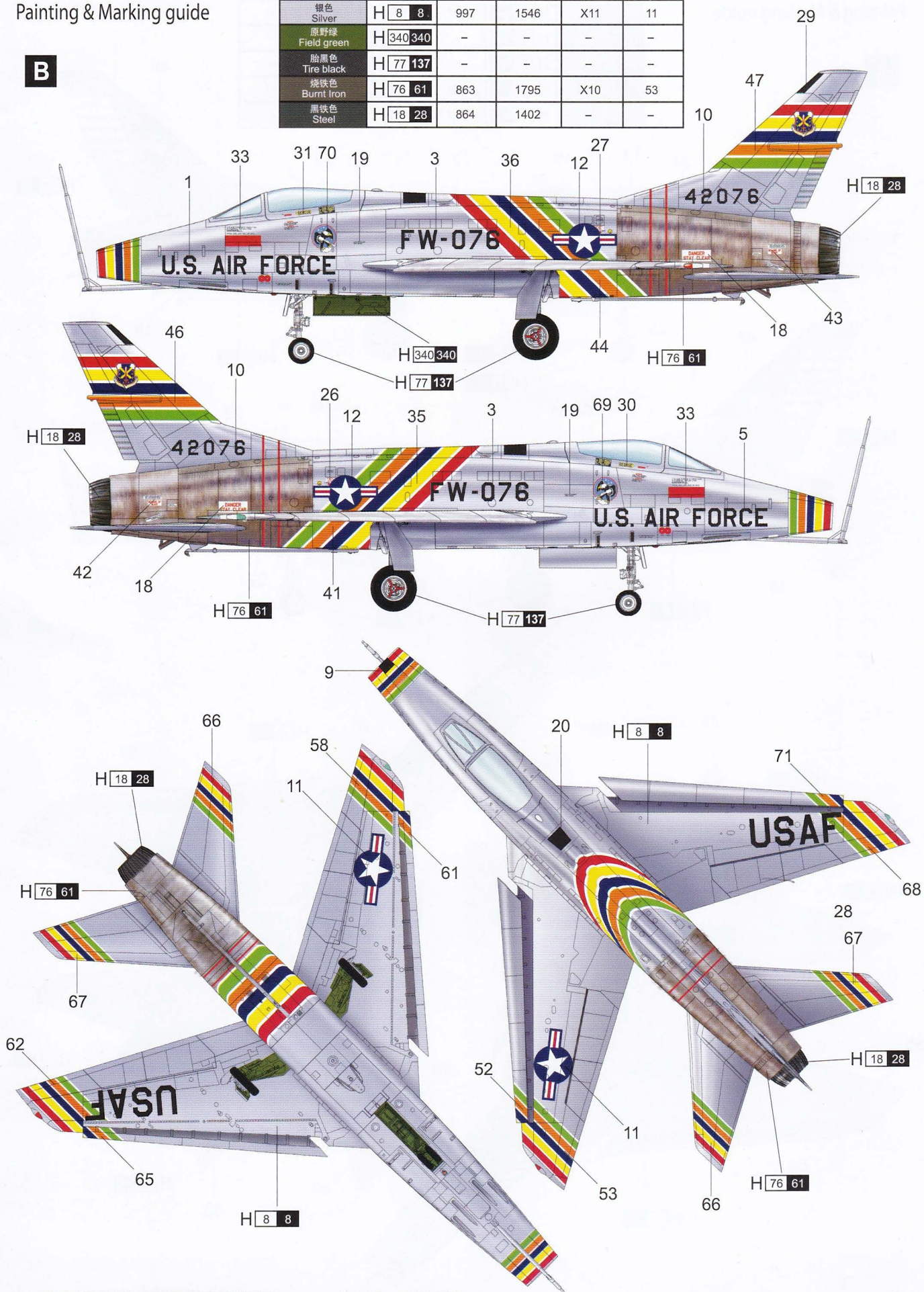
X Mr. COLOR

涂装同标贴指示
Painting & Marking guide

PAINT REFERENCE COLOUR

Color	Mr.Hobby	Vallejo	Model Master	Tamiya	Humbrol
银色 Silver	H 8 8	997	1546	X11	11
原野绿 Field green	H 340 340	-	-	-	-
胎黑色 Tire black	H 77 137	-	-	-	-
烧铁色 Burnt iron	H 76 61	863	1795	X10	53
黑铁色 Steel	H 18 28	864	1402	-	-

B



H X AQUEOUS HOBBY COLOR

X Mr. COLOR