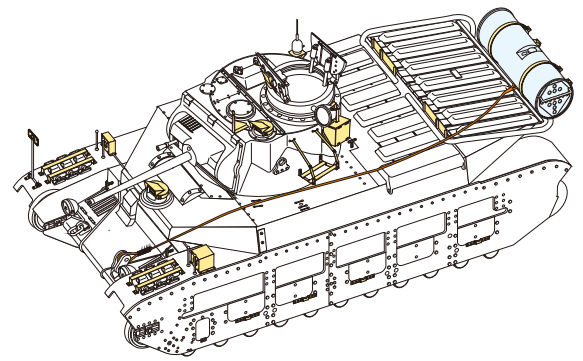


1/35 MILITARY MINIATURE VEHICLE UPGRADE SERIES PE35300

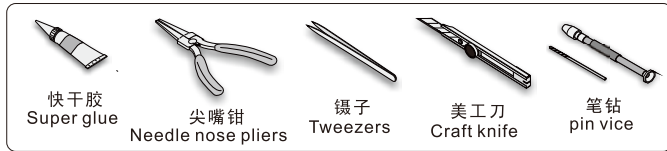
WWII British Matilda Mk.III/IV

二战英军马蒂尔达MK.III/IV型步兵坦克改造件

[For TAMIYA 35300]



推荐使用工具 RECOMMENDED TOOLS



↑ 安装 install	↩ 折叠 bend	A1 改造件零件编号 PE/resin part number	B12 原零件编号 kit part number	C22 被替换的原零件编号 replaced kit part number
✂ 切除 remove	🔪 打磨 grind off	📐 弧度卷曲 radial bending	x2 制作若干组 multiple assembly	🔄 另一侧相同制作 repeat on opposite side
⚠ 注意 caution	🔧 扩孔 ream	🔪 钻孔 drill	👉 填补 fill	↔ 选择安装 alternative

Technical assistance provided by Mingzhou Zhong

↓
用尖端在凹槽处冲压
use penpoint to press on the dent

蚀刻片零件内侧面向上
Put the part upside down

用笔尖在凹槽处刮
Use penpoint to press on the dent

🌀
制作线圈
make coil

1/35 MILITARY MINIATURE VEHICLE UPGRADE SERIES PE35300

