



F-16C Block 40 Israeli Air Force F-16C "Barak"

Following the cancellation of Lavi (an all-Israeli military aircraft) project in May of 1988, Israel ordered 60 F-16C/D Block 40 aircrafts (30 F-16C's & 30 F-16D's), plus an option for 15 more under the Peace Marble III program. The first of these PM III F-16C/D Block 40, all nicknamed 'Barak II' (Lightning), arrived in Israel in August of 1991 and entered service with the First Fighter Squadron and the Scorpion Squadron. Israeli F-16Cs have extensive local modifications, with different avionics fits and higher gross weight than USAF F-16C. The maximum all-up weight of an Israeli F-16 is 48,000 pounds, whereas the weight of a USAF Block 40 F-16C is 42,300 pounds. The additional weight requires changes in the landing gear and the use of new wheels. The third batch of F-16Cs is installed with Elta's EL/L-8240 ECM, an internally mounted self-protection ECM, in replacing of Lockheed Martin Defense Systems (LMDS) AN/ALQ-178 Rapport III internal ECM. F-16Cs appear to have larger navigation lights mountings on the intake, which might be used to house electronics. As IAF F-16C were received as a substitute for the cancelled Lavi Project, all are fitted with Elisra's Israeli ECM systems and Elbit's flight management computers.

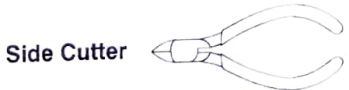
CAUTION

- *Read carefully and fully understand the instructions before commencing assembly.
- *Keep out of reach of children. Children must not be allowed to put any parts in their mouths, or pull plastic bag over their heads.
- *When using adhesives and paints, please make sure not to use them in closed room or near the fire.
- *When assembling this kit, tools including knives are used. Extra care should be taken to avoid injury.

WARNING: CONTAIN SMALL PARTS NOT FOR CHILDREN UNDER 14 YEARS OF AGE.

Drill	Remove	2 Set	Bend	Optional	Decal	Super Glue	Fill Hole	No Cement	Be Careful

TOOLS RECOMMENDED

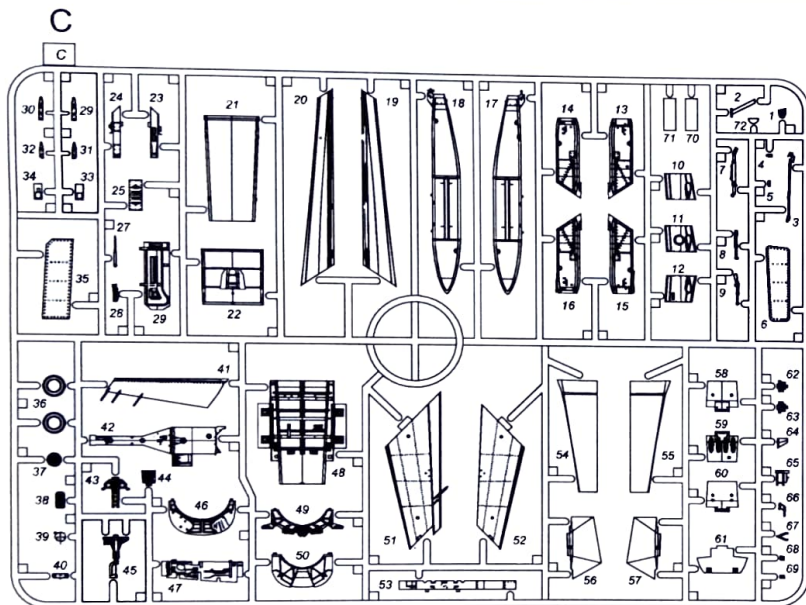


1/48 SCALE AIRCRAFT SERIES NO.K48129

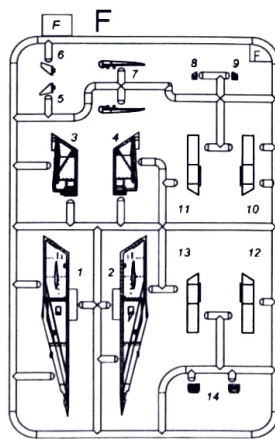
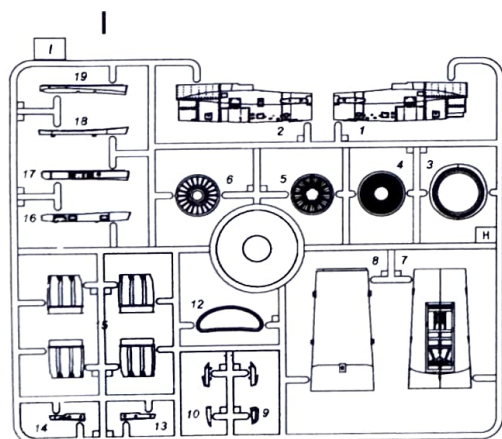
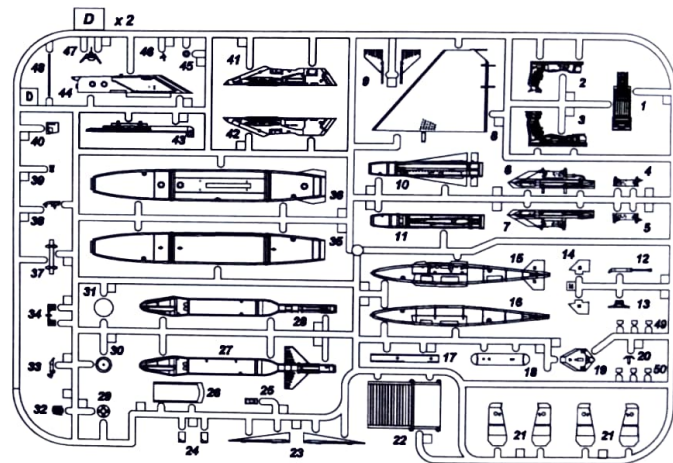
AFTERMARKET SERVICES CARD

When requesting replacement parts, please take or send this form to your local dealer so that the parts required can be correctly identified. Please note that specifications and availability are subject to change without notice. Or visit <http://www.kineticmodel.com> for latest information. For more information, please contact services@kineticmodel.com

Part Code	K48129	Qty	Item	Part Code	K48129	Qty	Item
00-100-011	F-16 SINGLE SEAT FRONT FUESLAGE PARTS A	1	A	00-100-041	IDF BARKA PARTS	1	
00-100-013	F-16 MAIN PARTS 0207 - PARTS C	1	C	00-103-001	PYTHON-4	2	
00-100-014	F-16 PARTS - 370 GAL FUEL TANK (PARTS D)	2	D	00-103-002	GBU-15	2	
00-100-016	F-16C/D VERTICAL FIN PARTS (MT-F16-016) PARTS F	1	F	00-103-003	SPICE	2	
00-100-018	F-16 BLOCK 40/50 LANDING GEEAR PARTS H	1	H	00-103-004	POPEYE	2	
00-100-019	MCID INTAKE - PARTS I	1	I	00-103-005	CLEAR PARTS FOR GBU-15,SPICE, AGM-142	2	
00-100-021	WEAPON SET (AIM-9x,9M,120B/C,GBU-12) PARTS M	2	M	00-103-007	CLEAR PARTS FOR DELIAH	2	
00-100-022	CLEAR PARTS FOR F-16 - PARTS Z	1	Z	00-103-012	600GAL FUEL TANK	2	
00-100-031	AAQ-13/AAQ-14 PARTS HH	1	HH	00-103-013	DELIHEI MISSILE	2	
00-100-034	UPPER BACK FUESLAGE TYPE (C/D) PARTS C/D	1	D	01-100-48129	1/48 F-16C IDF w/ IDF weapons	1	DECAL
00-100-035	F-16 NOSE STANDARD	1		03-100-48129	1/48 f-16C IDF w/ weapons manual	1	MANUAL
00-100-038	F-16 SINGLE SEAR CANOPY FRONT/REAR PART	1					
00-100-040	F-16 LOWER FUESLAGE	1					



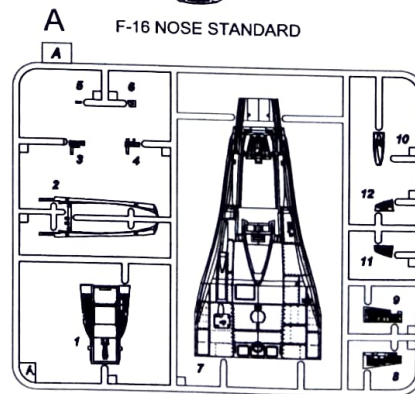
Dx2



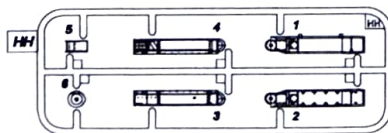
F-16 NOSE STANDARD



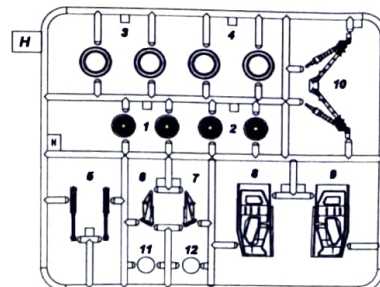
CANOPY FRONT/ REAR PART

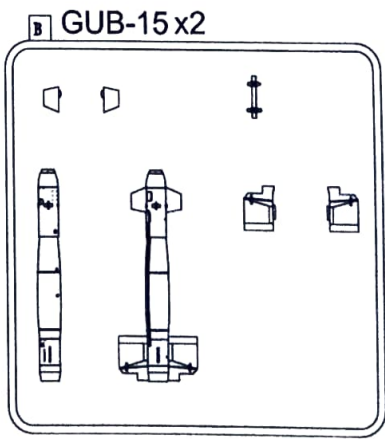
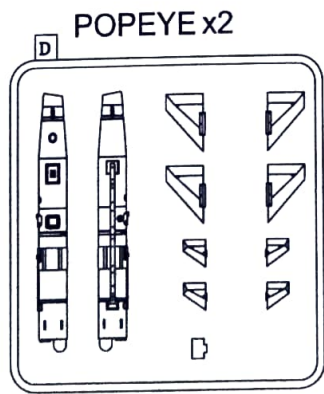
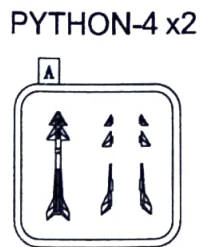
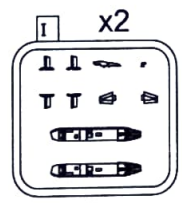
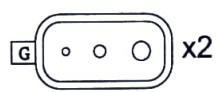
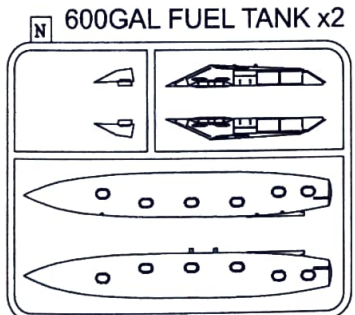
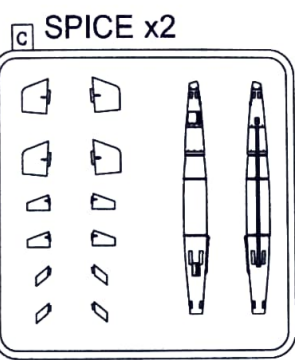
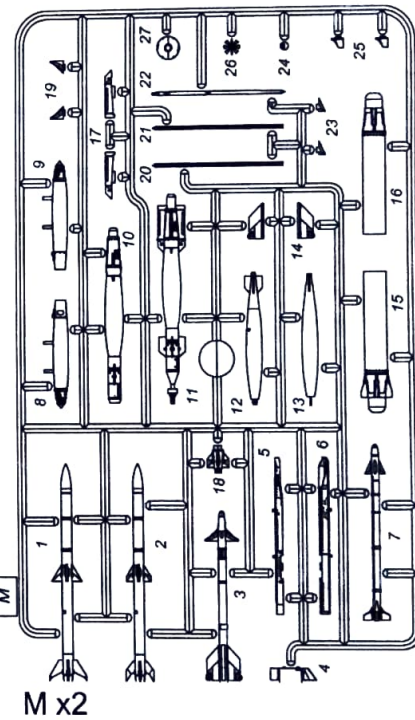
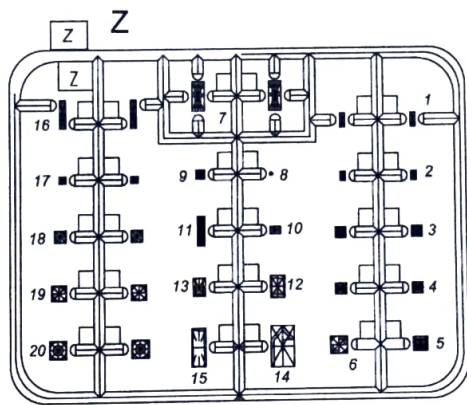
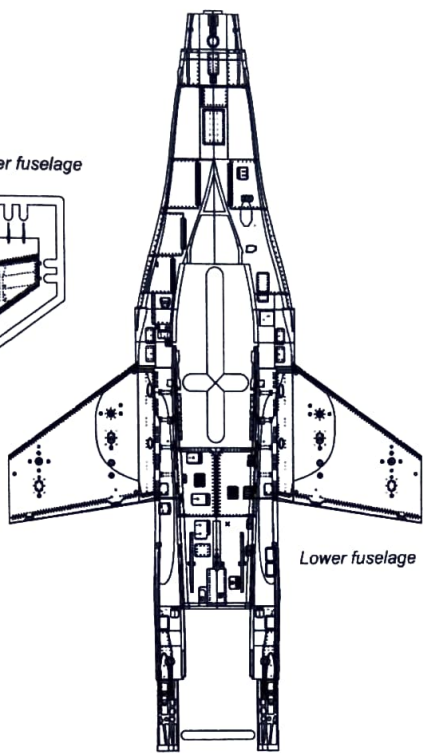
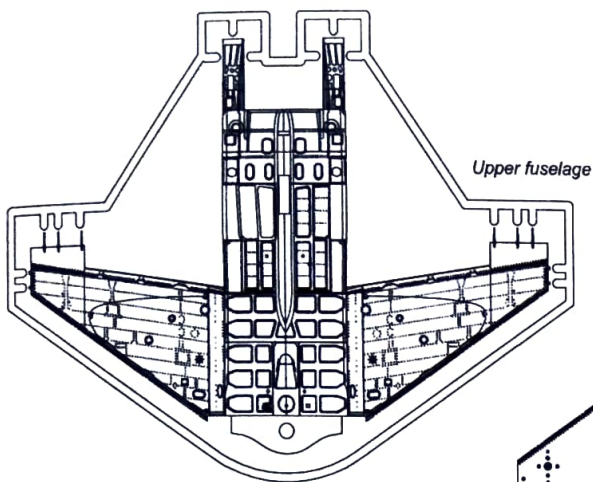


HH



H



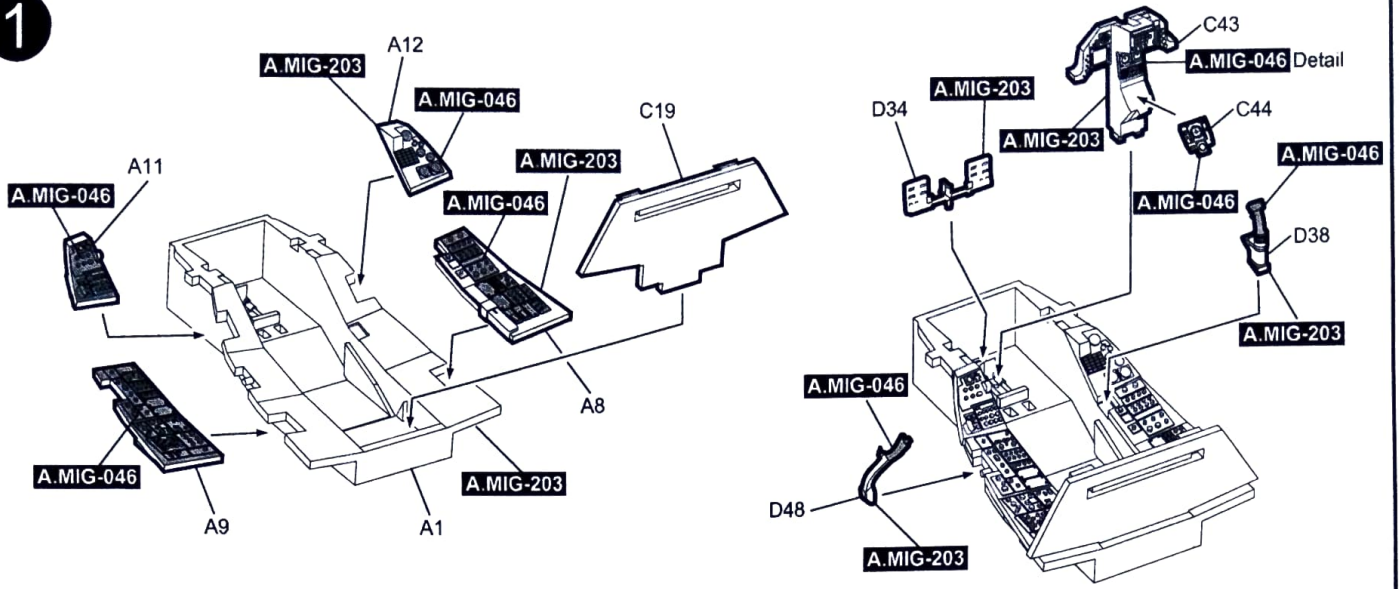




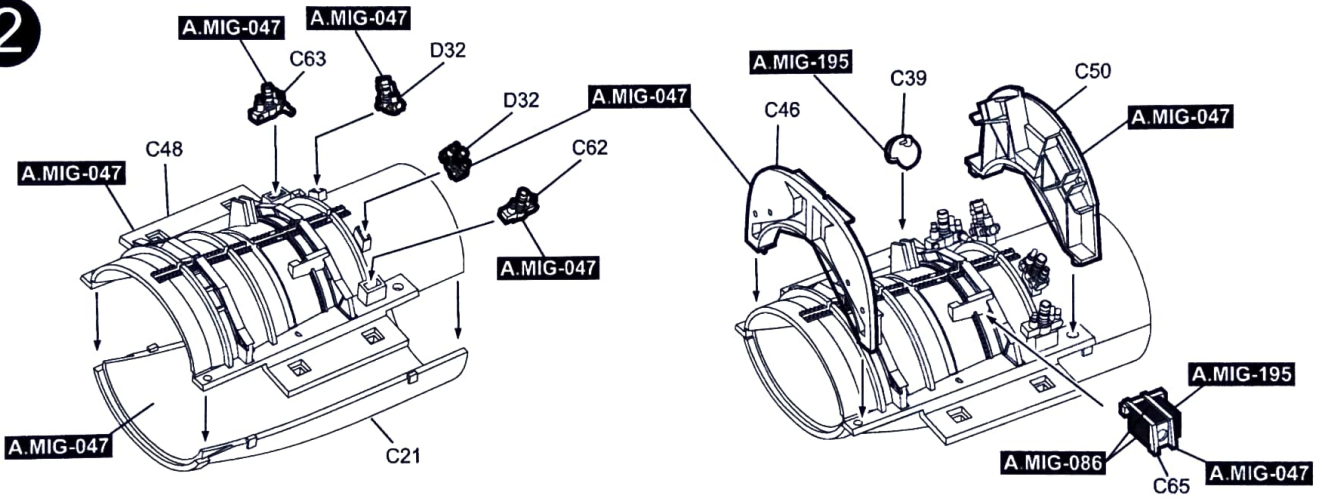
COLOR	AMMO MIG	VALLEJO MODEL COLOR	GSI CREOS MR. COLOR	TAMIYA ENAMEL/ACRYLIC	HUMBROL ENAMEL
SATIN BLACK	A.MIG-032	70.861	2	X-18	85
GUN METAL	A.MIG-045	70.863	78	X-10	53
MATT BALCK	A.MIG-046	71.057	33	XF-1	33
SATIN WHITE	A.MIG-047	70.842	1	X-2	22
YELLOW	A.MIG-048	71.002	4	XF-3	69
NATO GREEN	A.MIG-084	71.093	54	XF-67	86
BLUE	A.MIG-086	71.089	5	X-4	14
CRYSTAL RED	A.MIG-093	70.934	47	X-27	220
CRYSTAL BLUE	A.MIG-098	70.938	50	X-23	-
BURNT IRON	A.MIG-187	71.073	61	XF-84	-
STEEL	A.MIG-191	70.864	28	-	27003
SILVER	A.MIG-195	71.063	8	X-11	11
GOLD	A.MIG-198	71.066	9	X-12	16
FS33531	A.MIG-200	-	313	-	121
FS34424	A.MIG-201	70.885	H31	-	-
FS30219	A.MIG-202	71.125	310	XF-59	118
GHOST GRAY FS 36375	A.MIG-203	70.990	308	-	-
GUNSHIP GRAY	A.MIG-204	71.047	305	XF-77	125
FS34079	A.MIG-206	71.294	309	-	116
FS36320	A.MIG-208	71.120	307	-	128
FS336270	A.MIG-211	71.275	306	-	126
DARK OILVE DRAB	A.MIG-237	71.016	12	XF-62	-
CLEAR YELLOW	-	70.937	48	X-24	-

For Color Profile, please go to www.kineticmodel.com for download
(type the kit# and go for manual/painting guide)

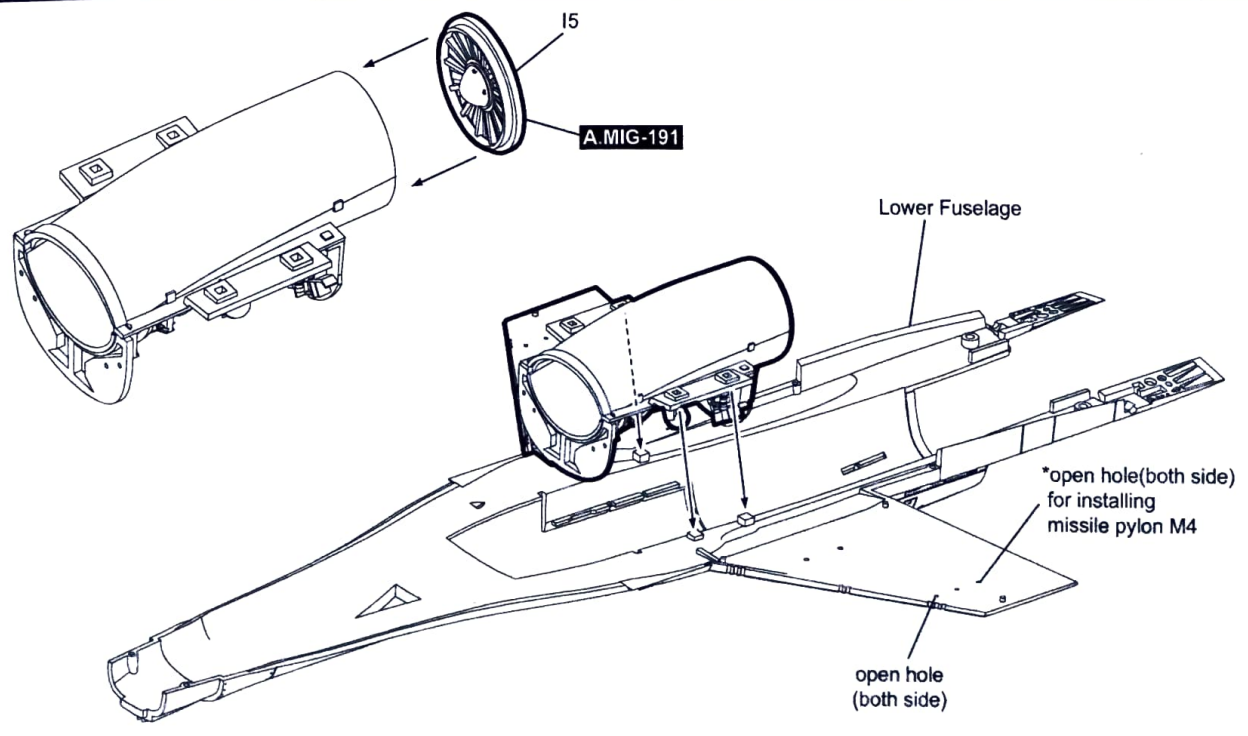
1



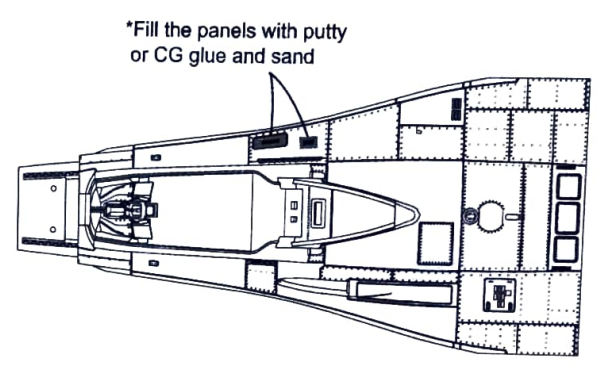
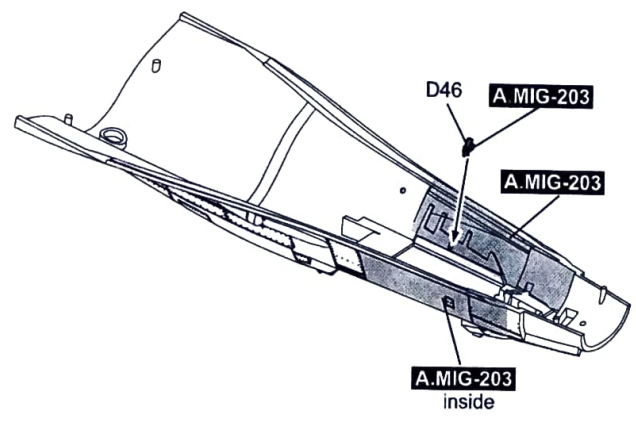
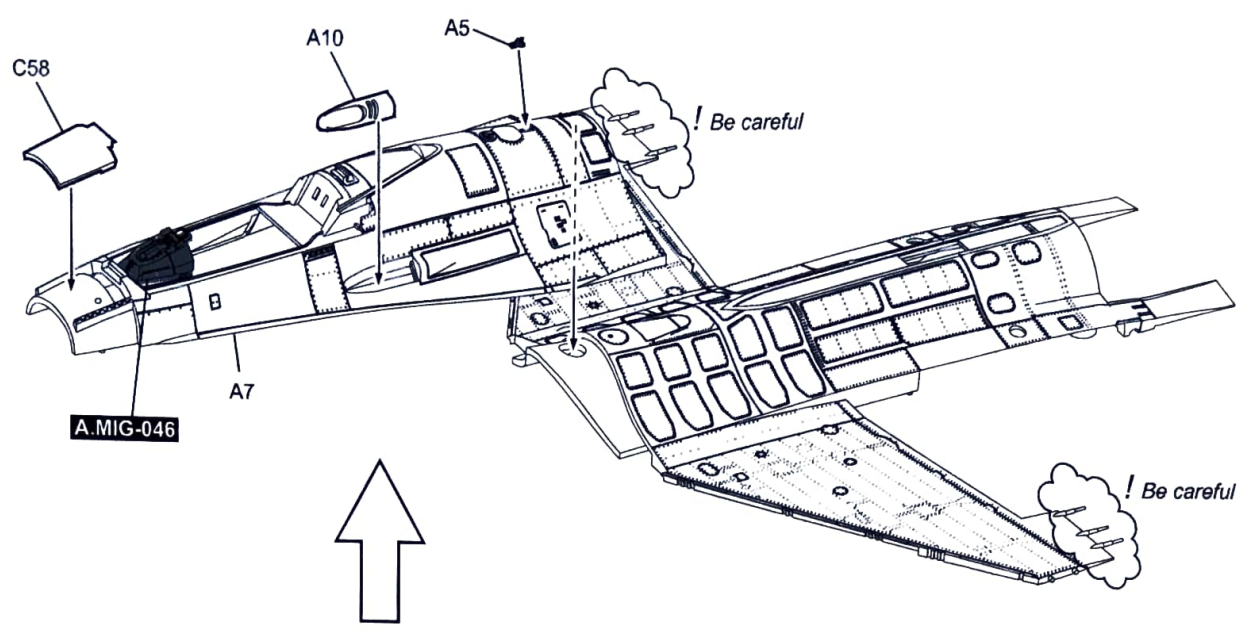
2



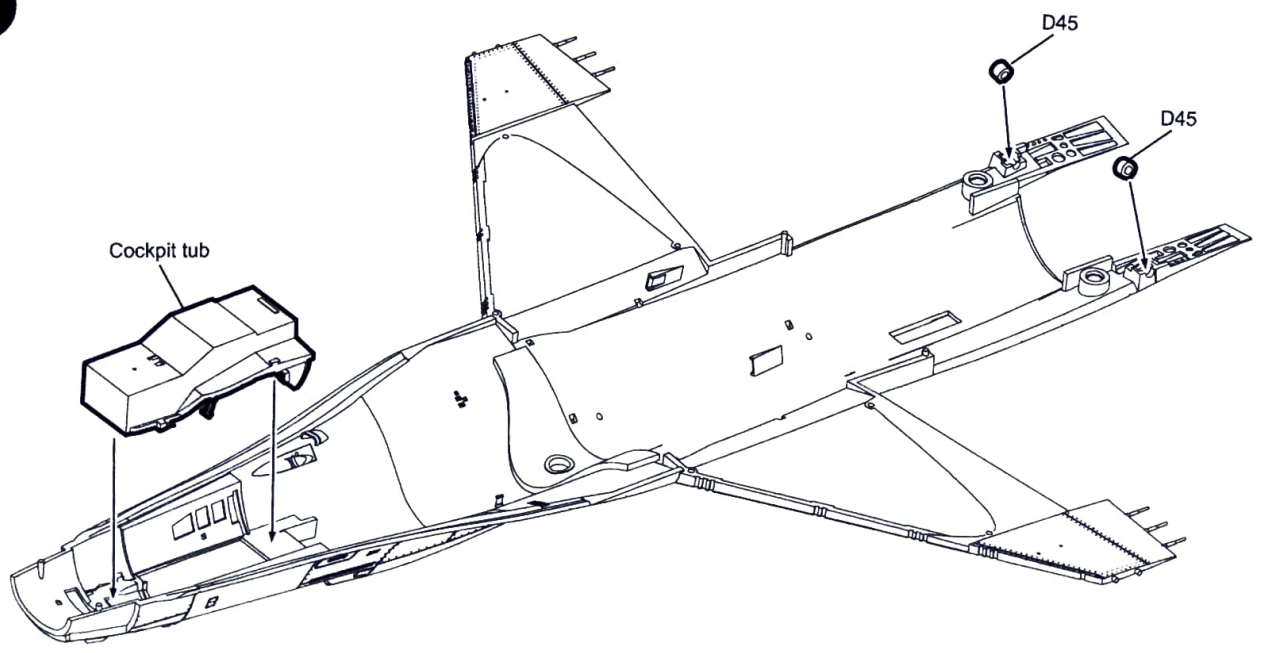
3



4

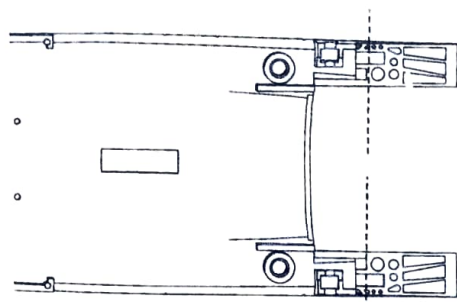


5

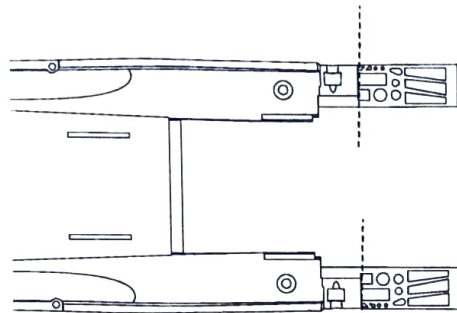


6

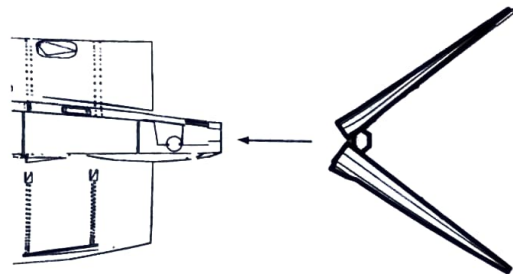
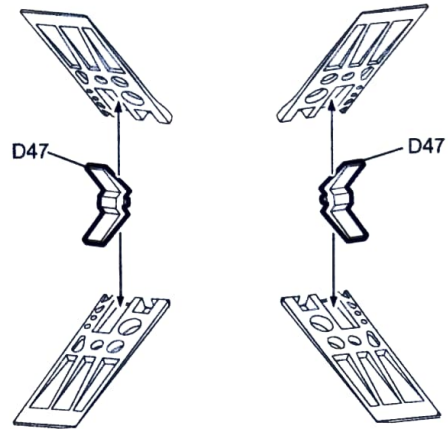
Cut along the lines for open air brake



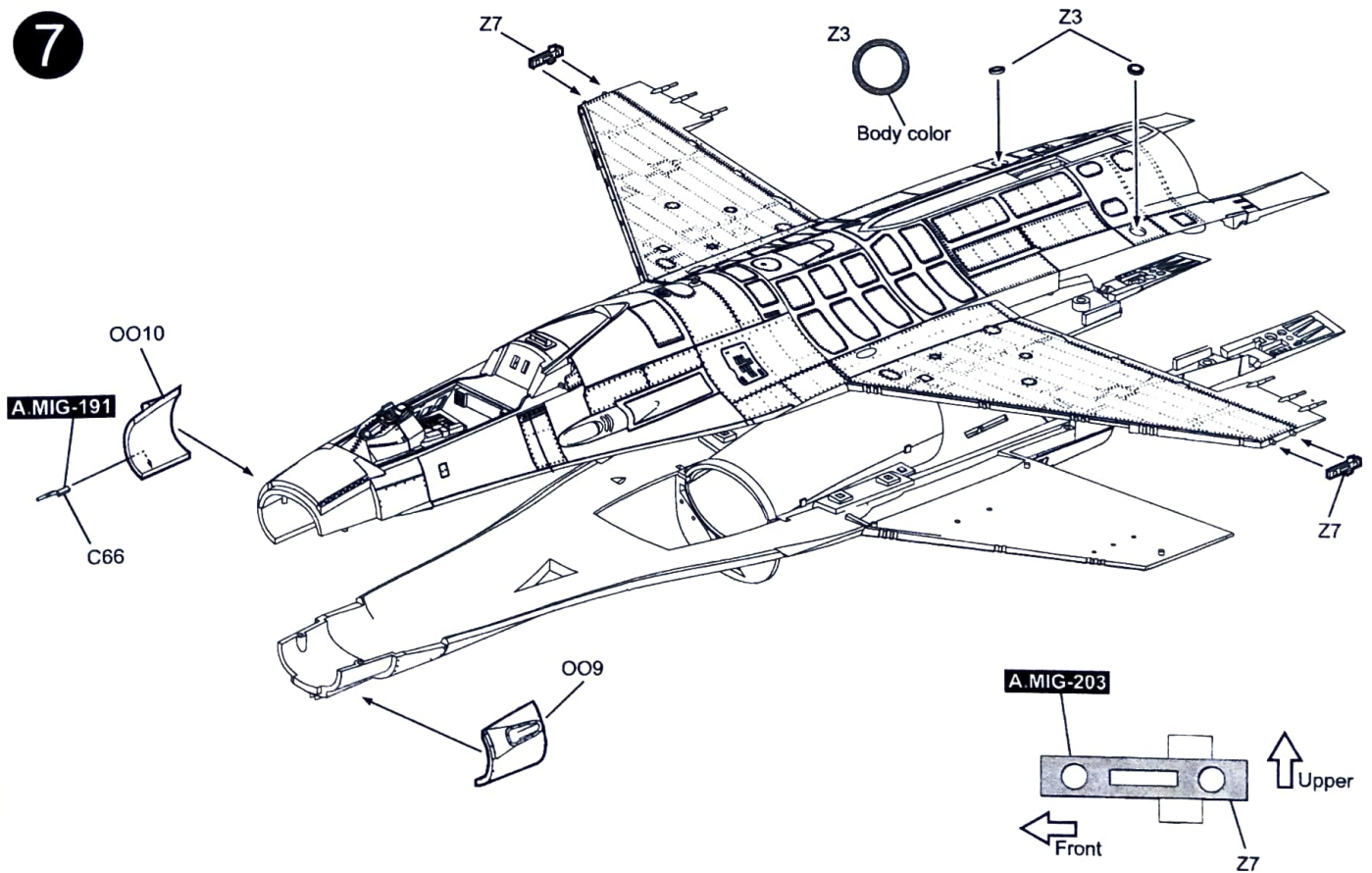
Upper Fuselage



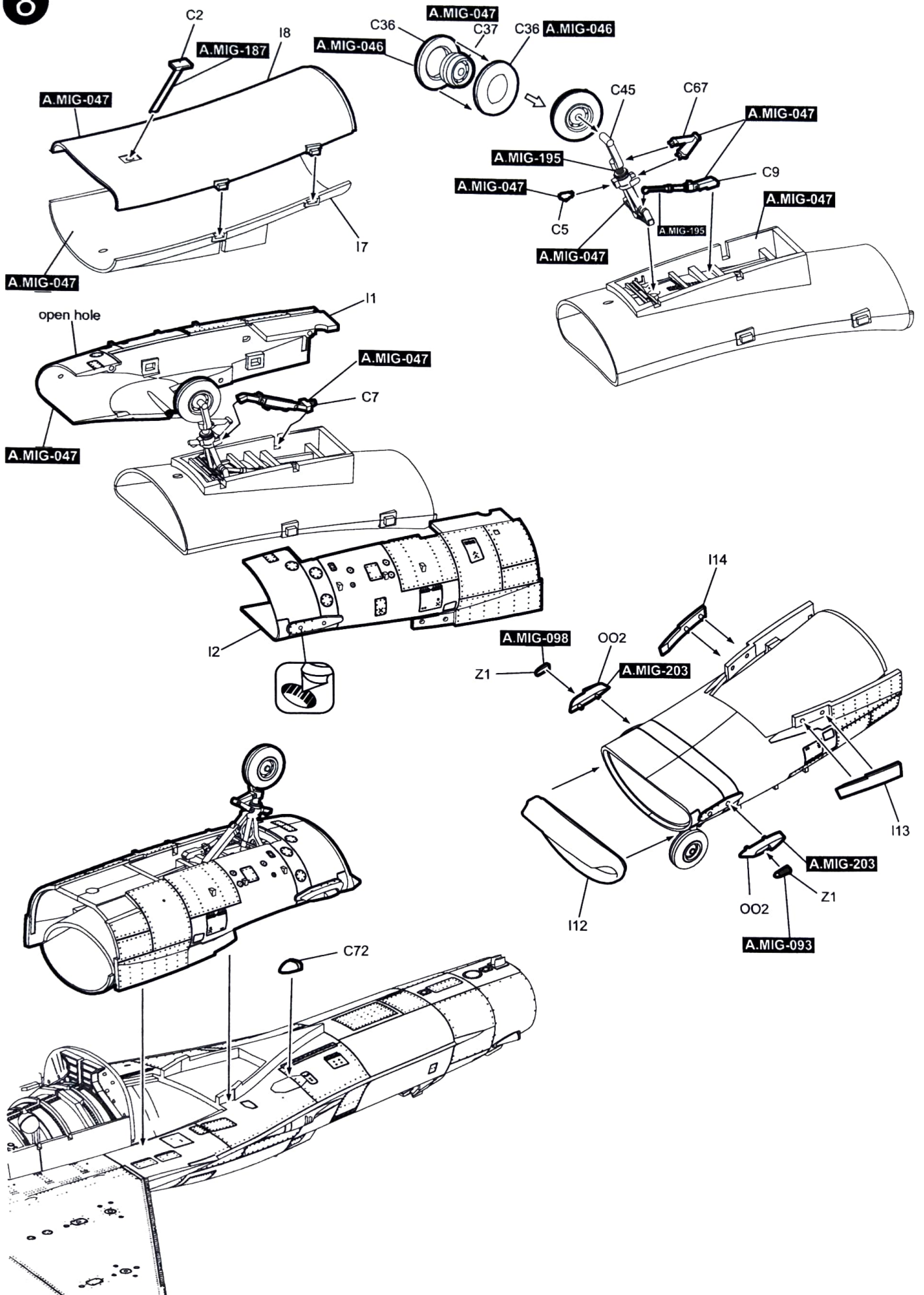
Lower Fuselage



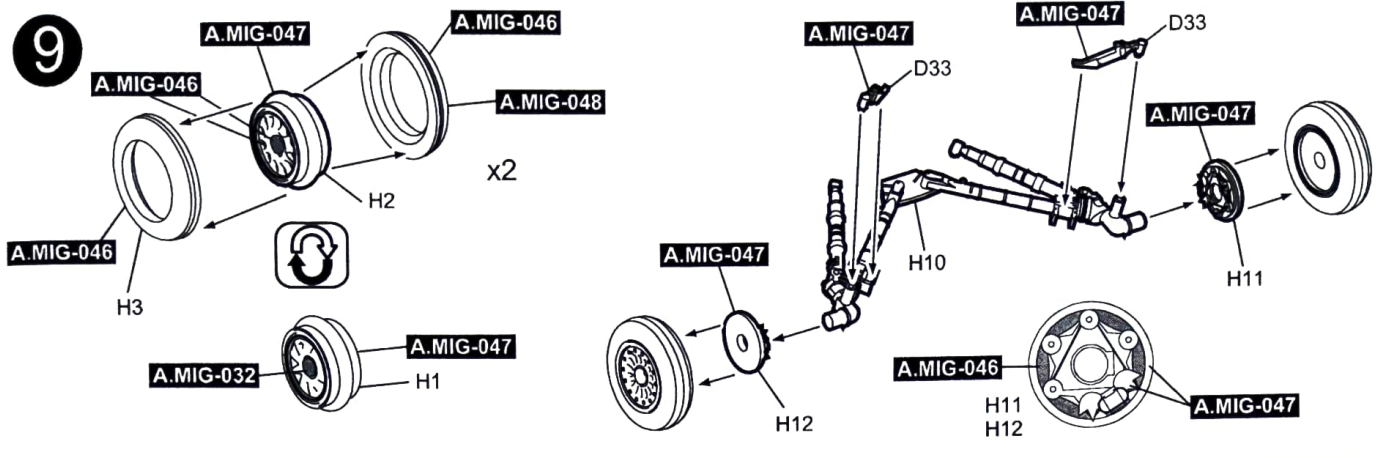
7



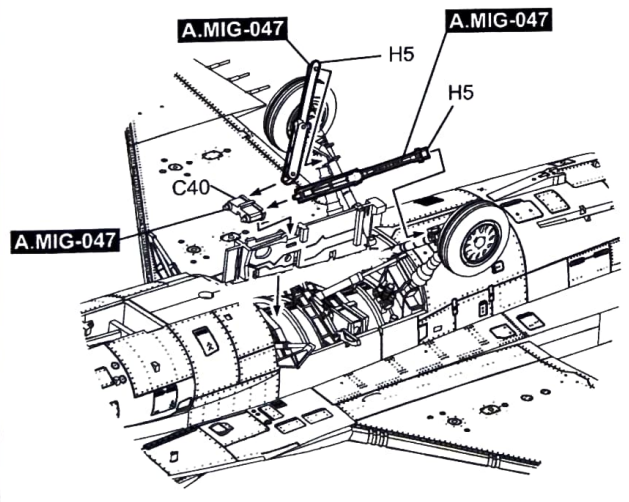
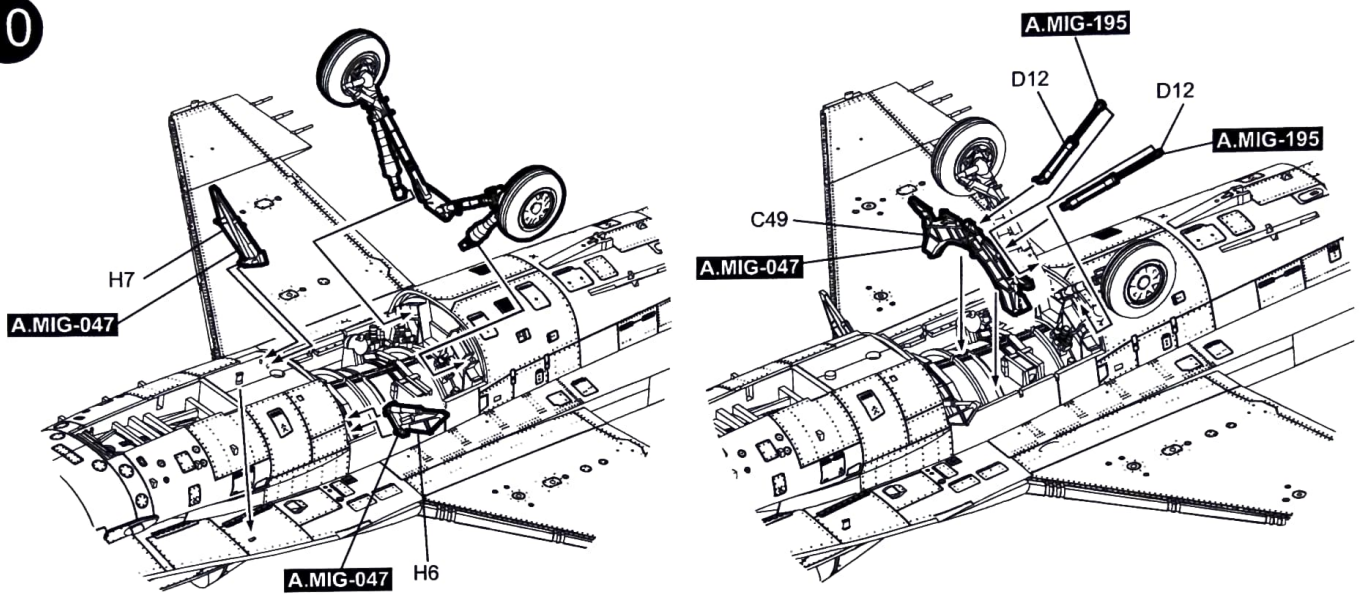
8



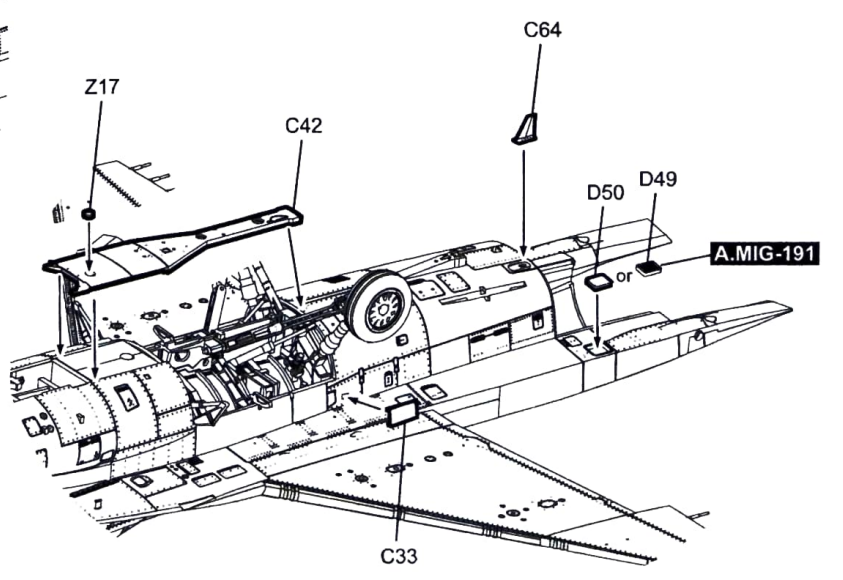
9

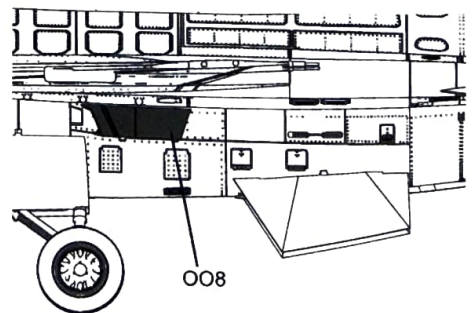
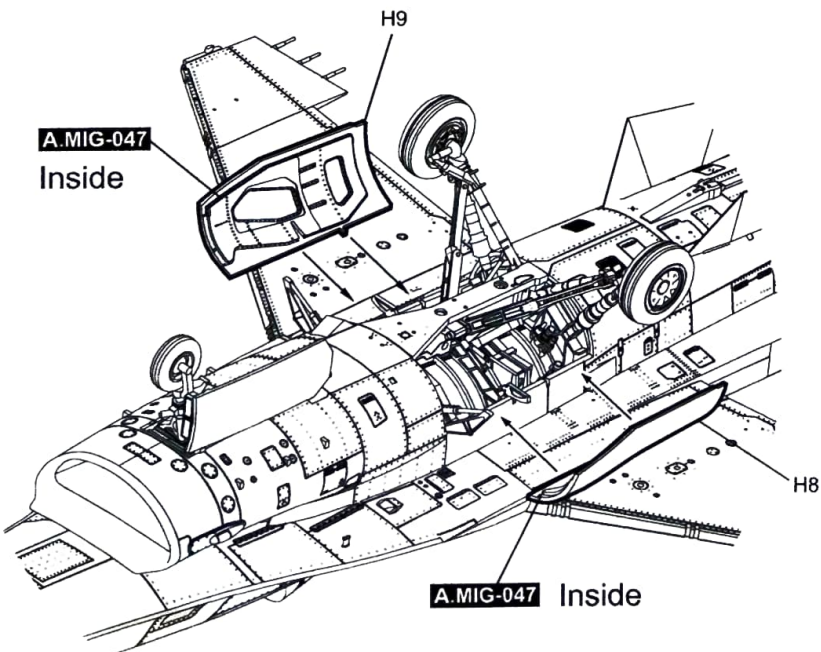
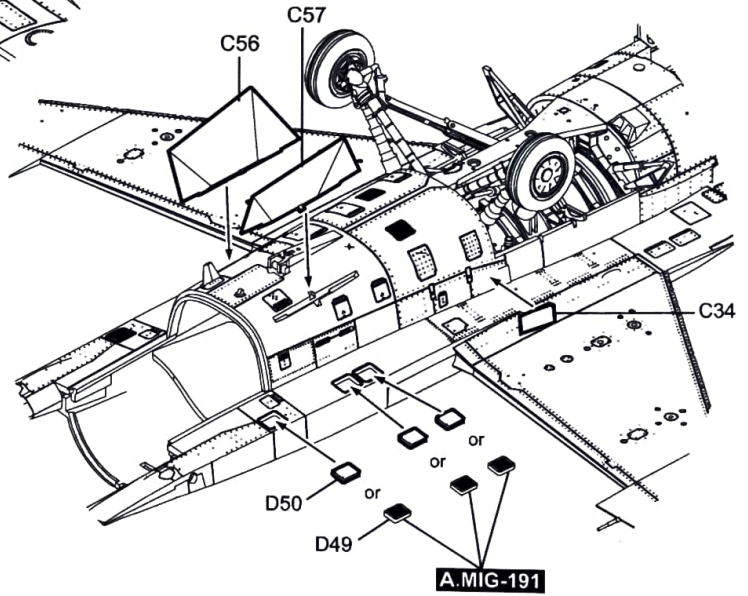
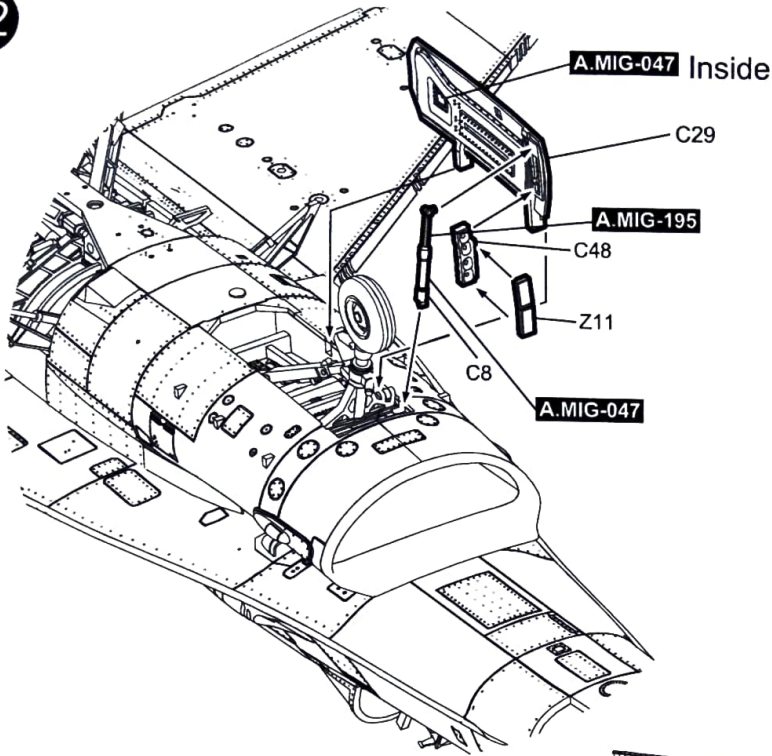


10



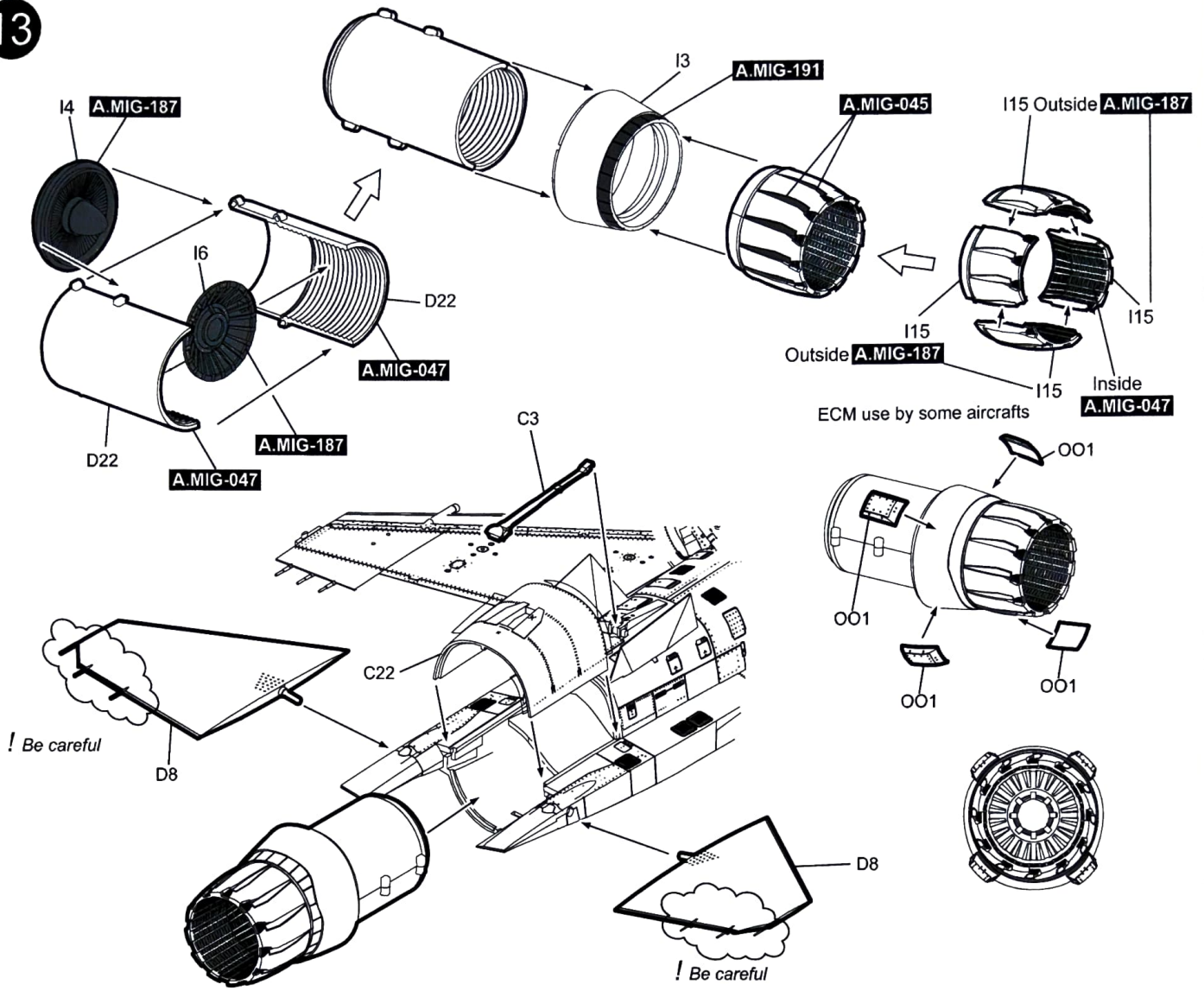
11



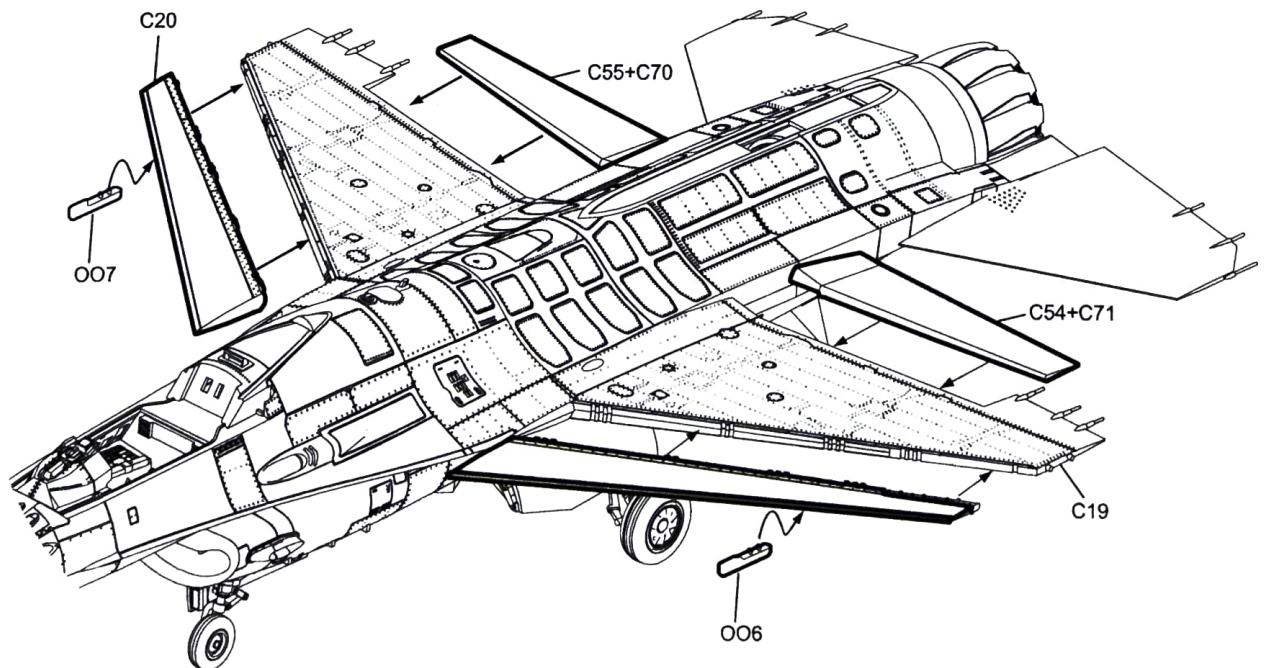


Air intake use on some IDF models.

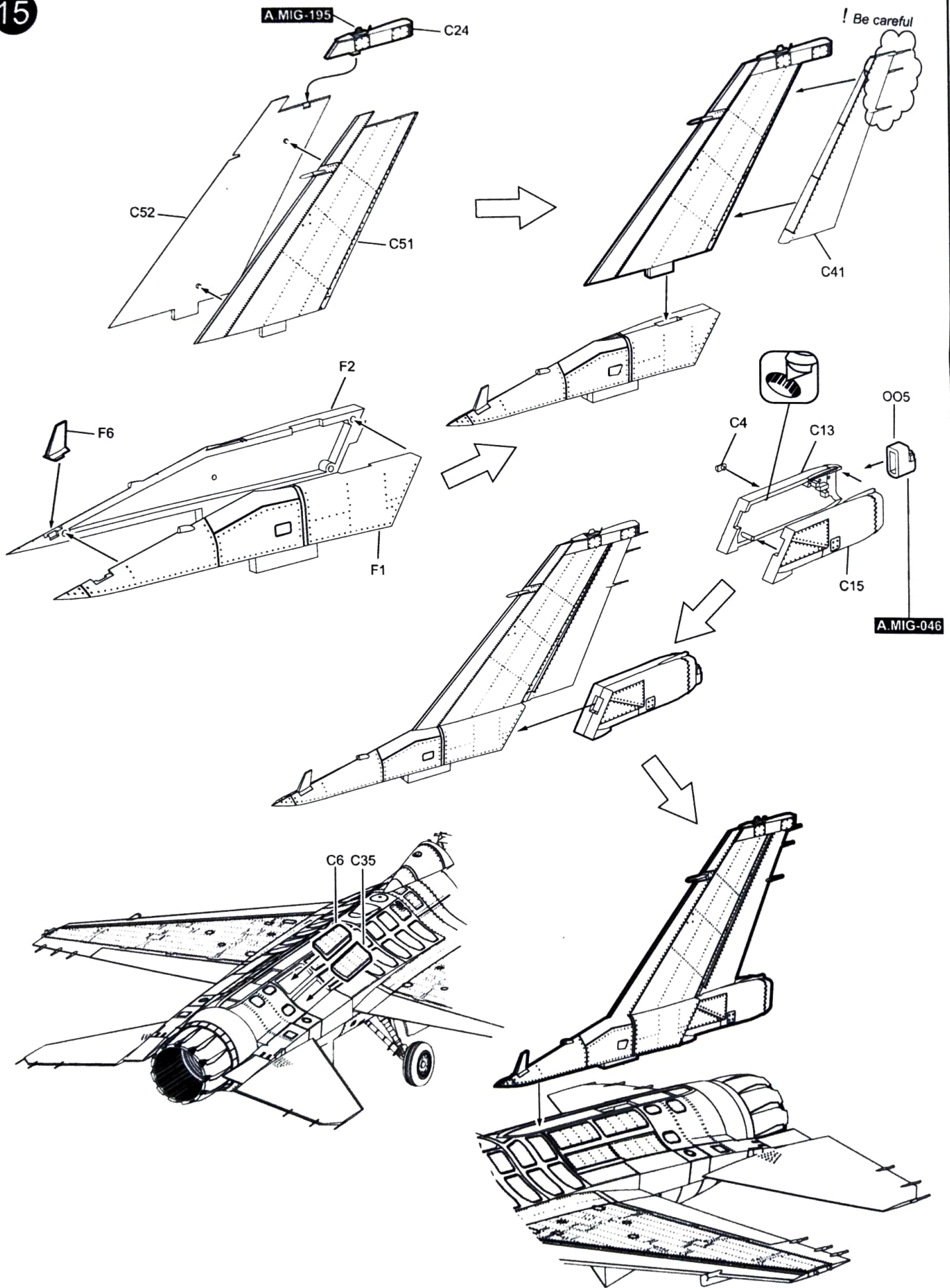
13



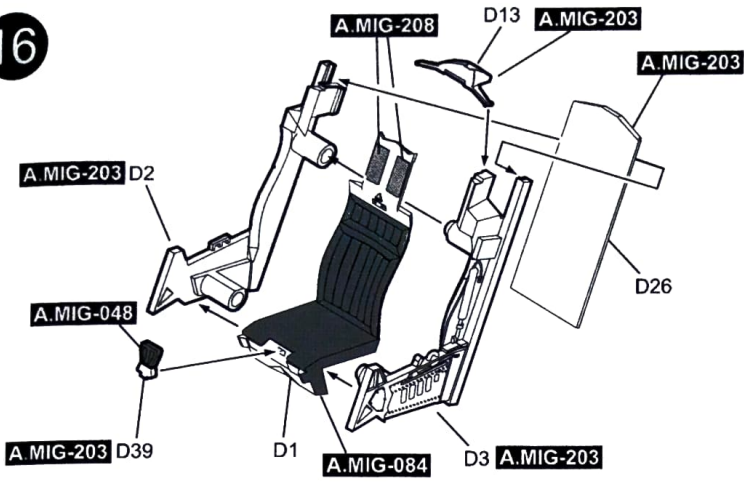
14



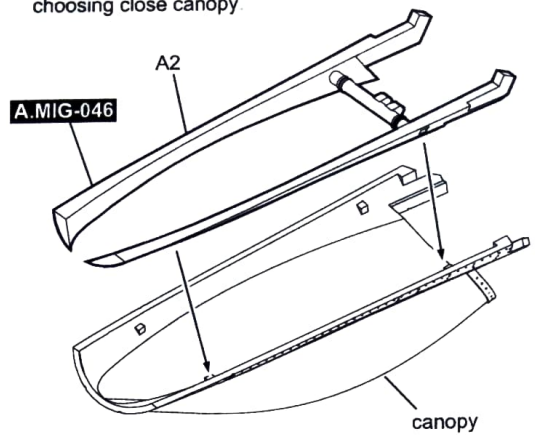
15



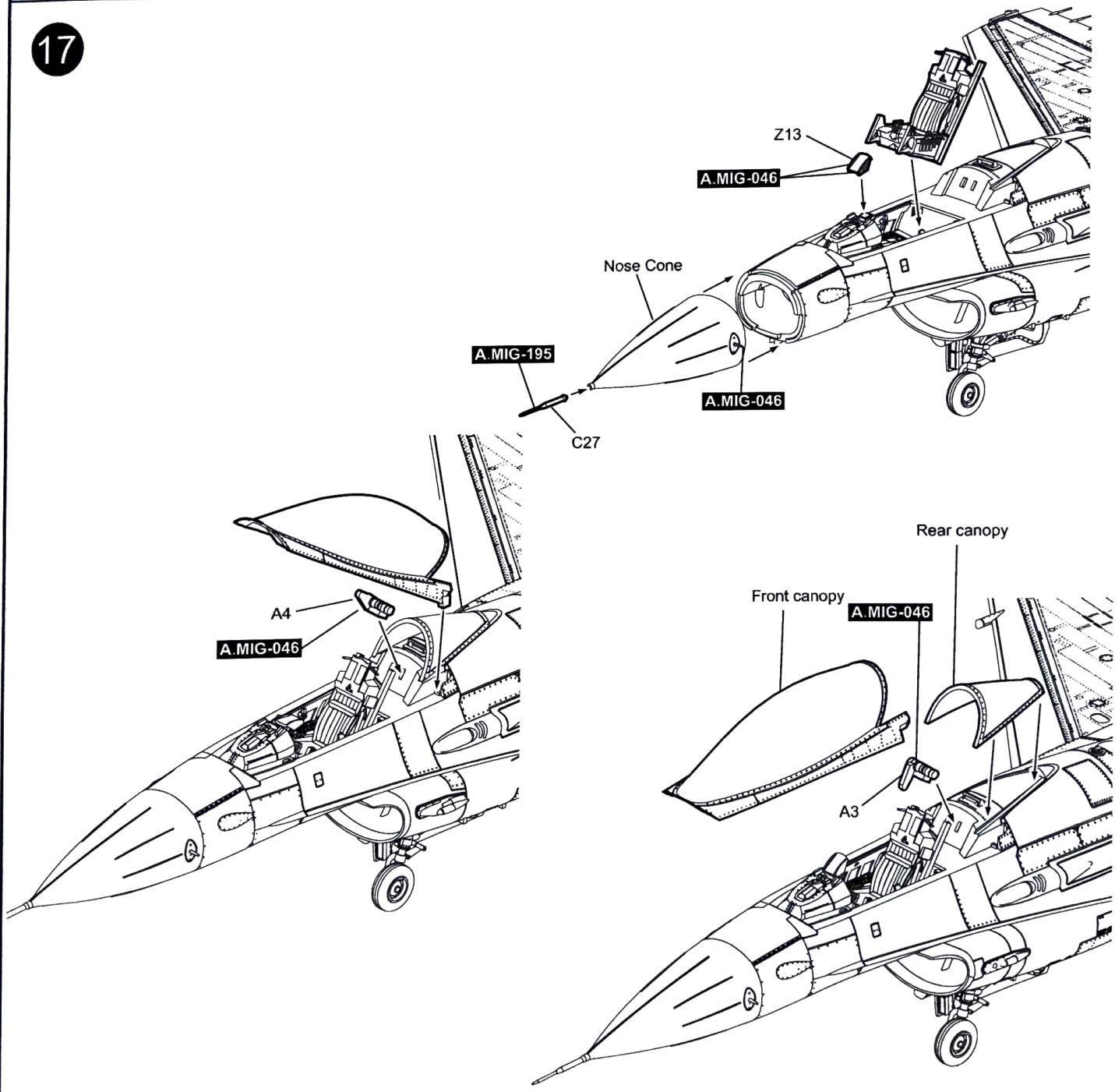
16



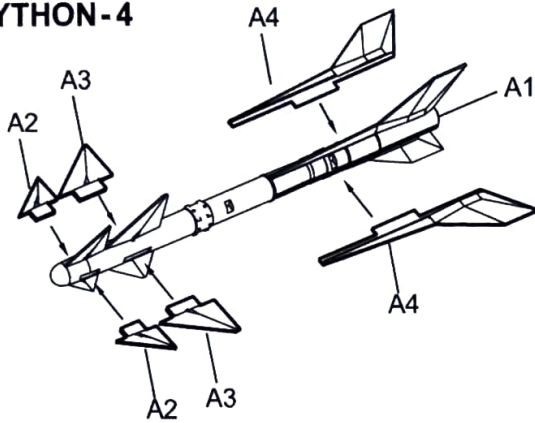
*Do not install A2 when choosing close canopy.



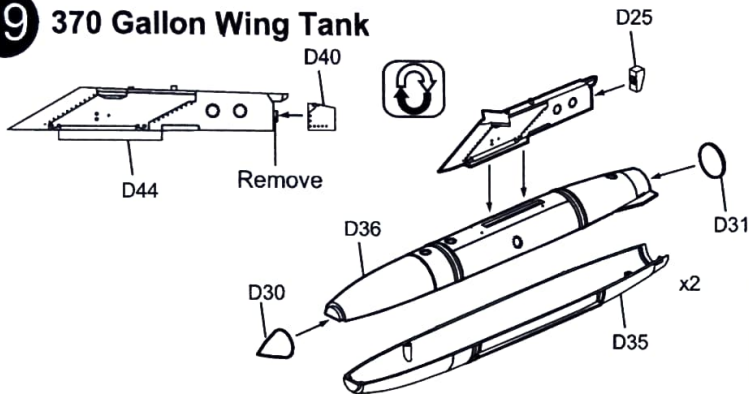
17



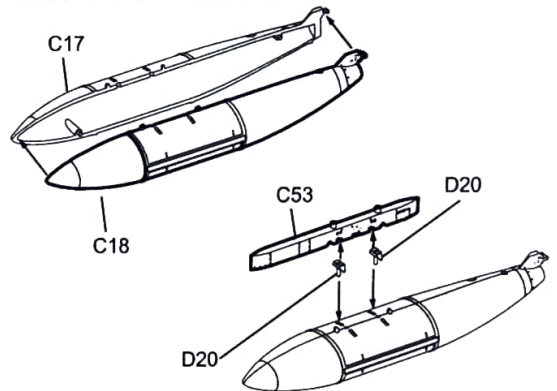
18 RAFAEL PYTHON-4



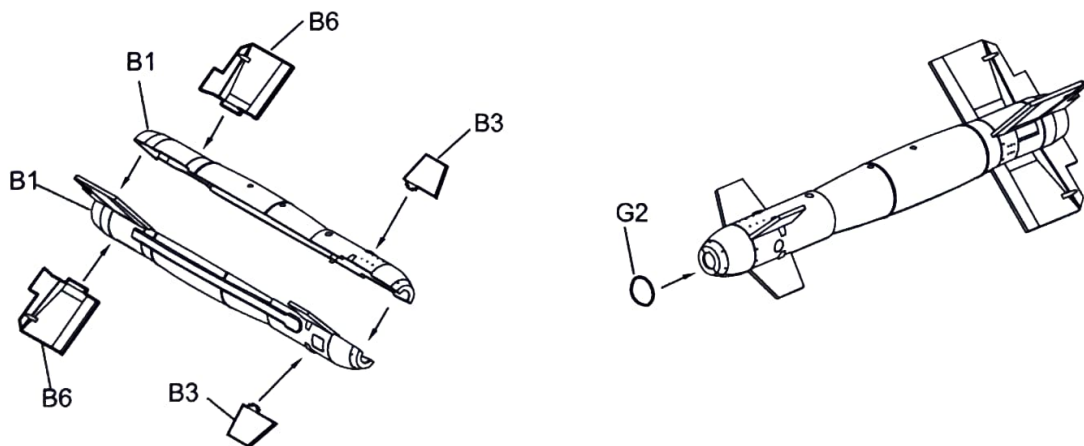
19 370 Gallon Wing Tank



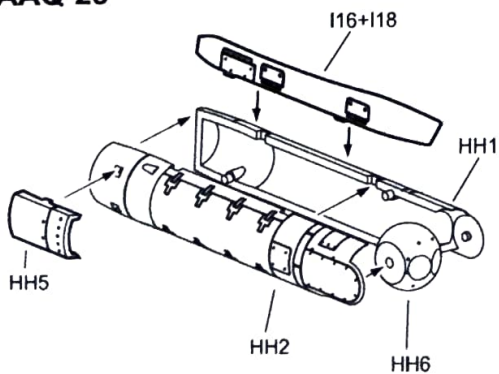
300 Gallon Centeline Tank



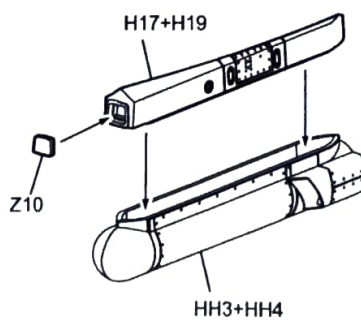
GBU-15



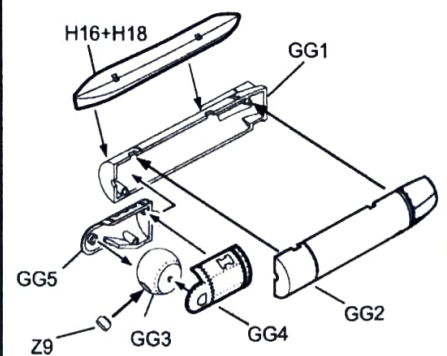
AAQ-28



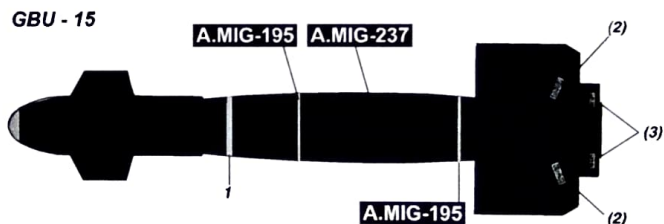
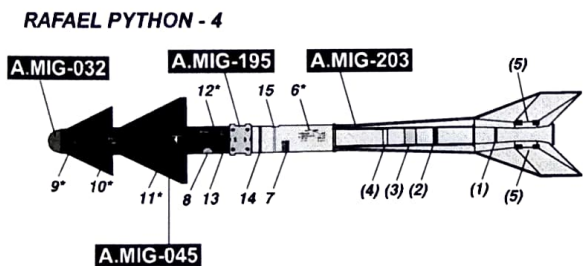
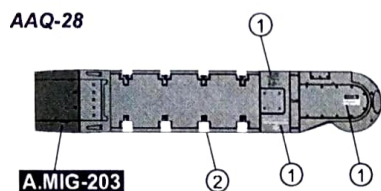
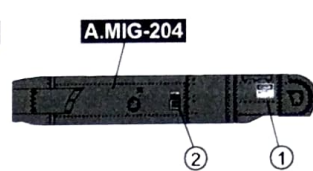
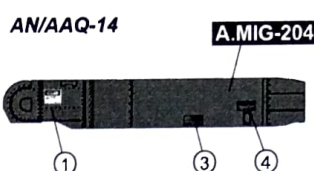
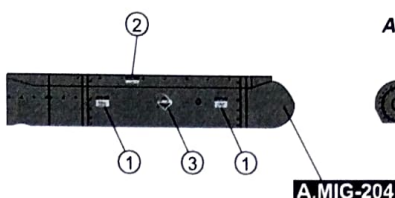
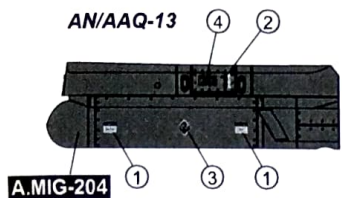
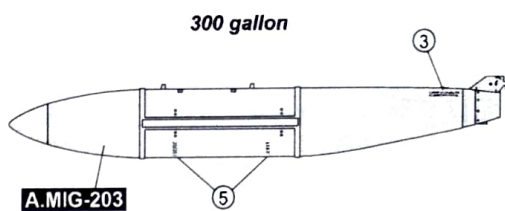
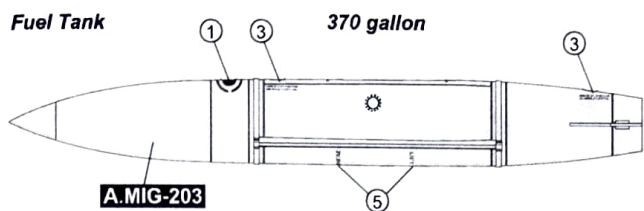
AN/AAQ-13



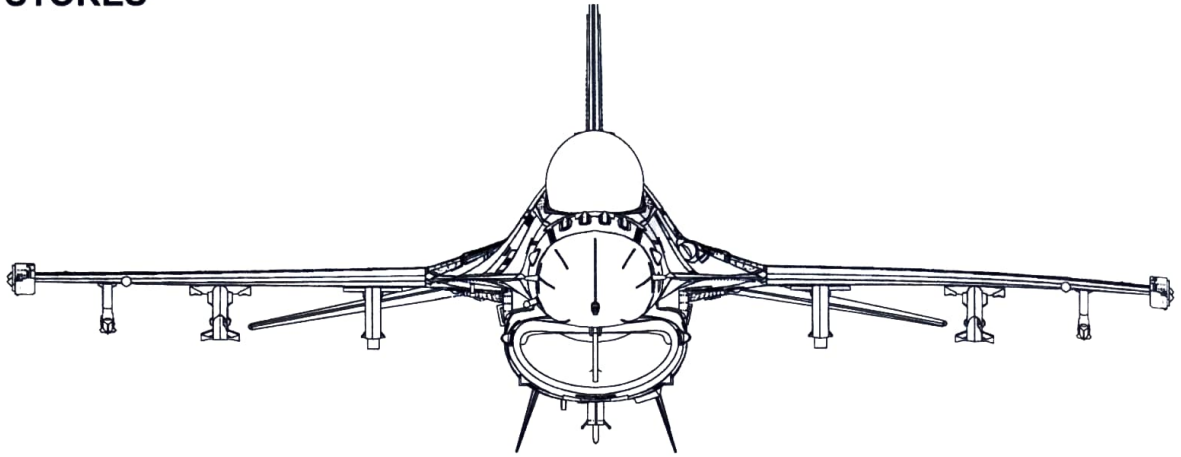
AN/AAQ-14



Painting & Decal Placement - External Stores



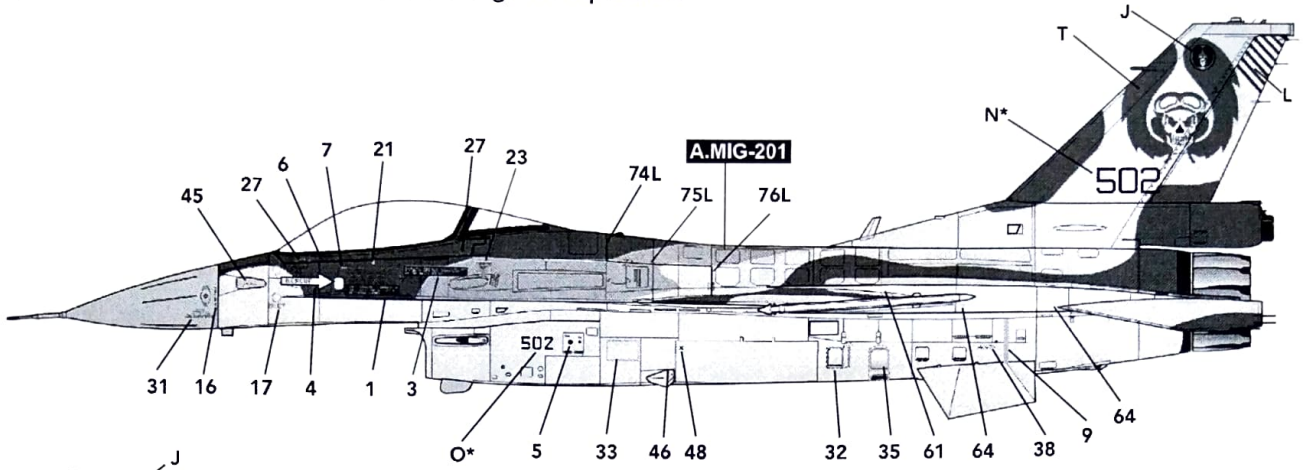
EXTERNAL STORES



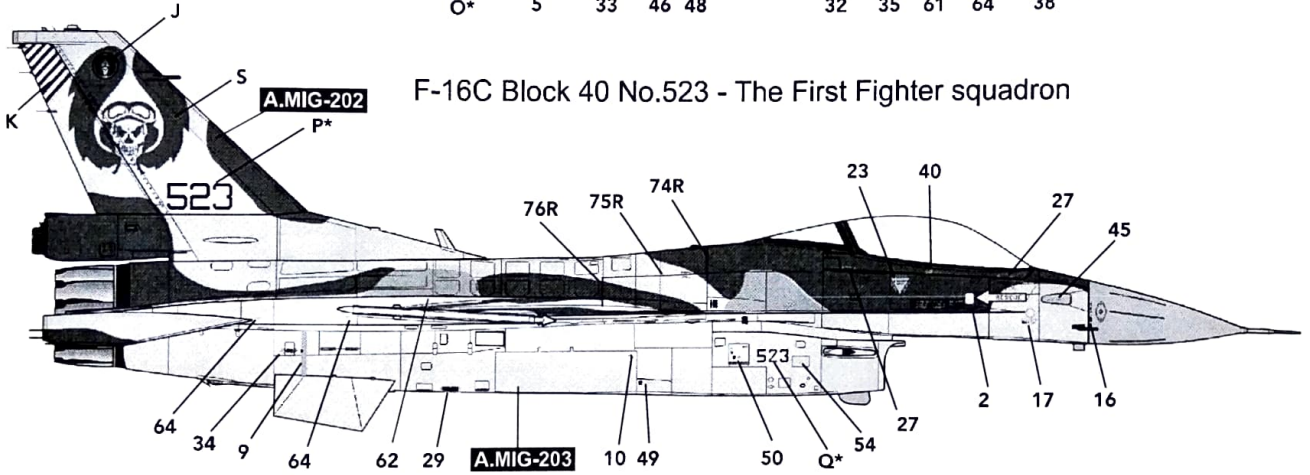
Station No. Weapons	9	8	7	6	5R	5	5L	4	3	2	1
LAU-114	●	●								●	●
LAU-129	●	●								●	●
GBU-15			●						●		
600gal. Fuel tank				●				●			
AN/AAQ-13							●				
AAQ-28					●						

1/48 SCALE AIRCRAFT SERIES NO.K48129

F-16C Block 40 No. 502 - The First Fighter squadron

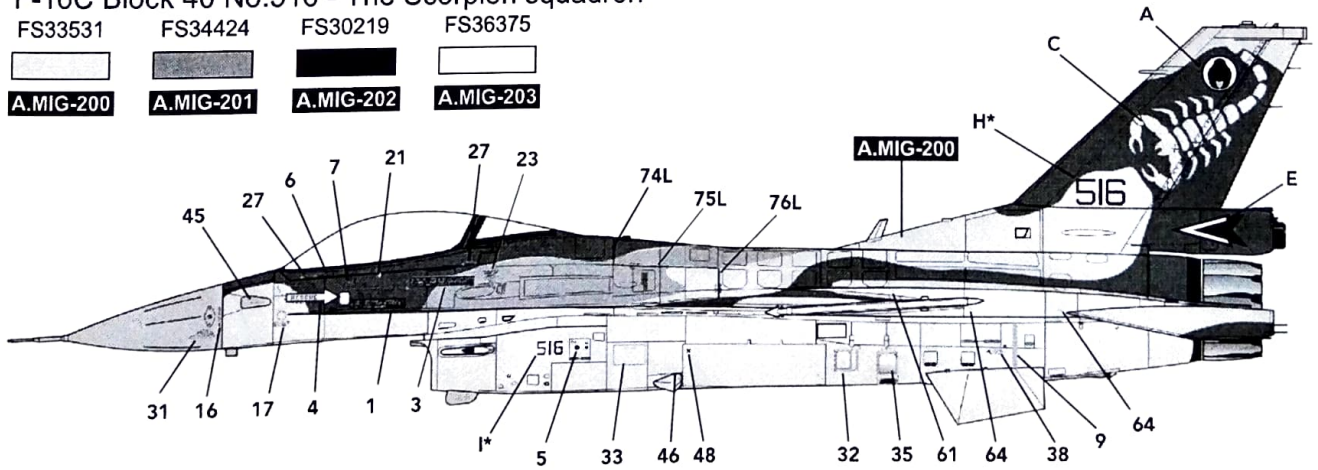


F-16C Block 40 No.523 - The First Fighter squadron

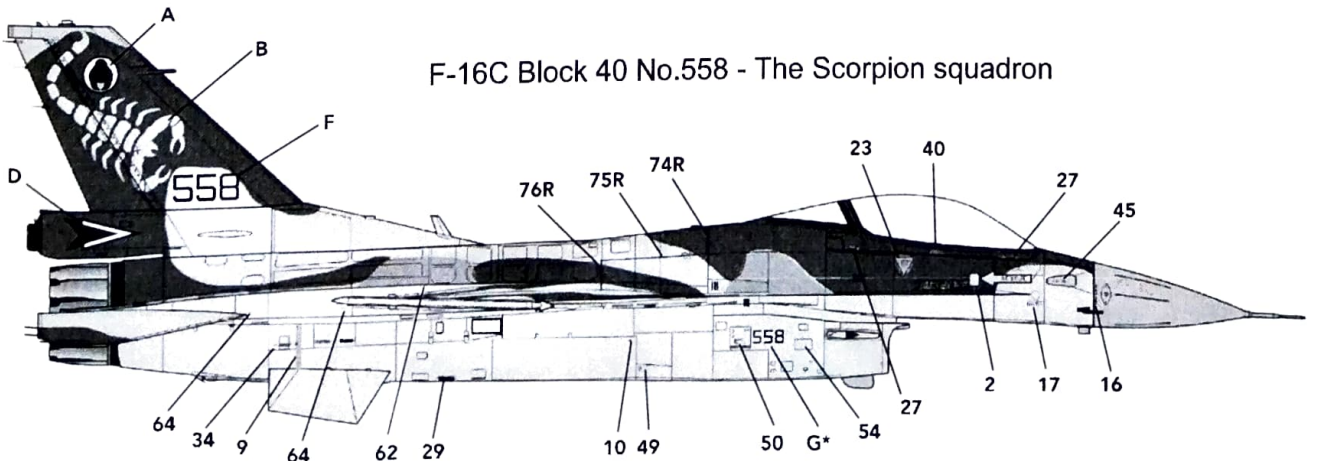


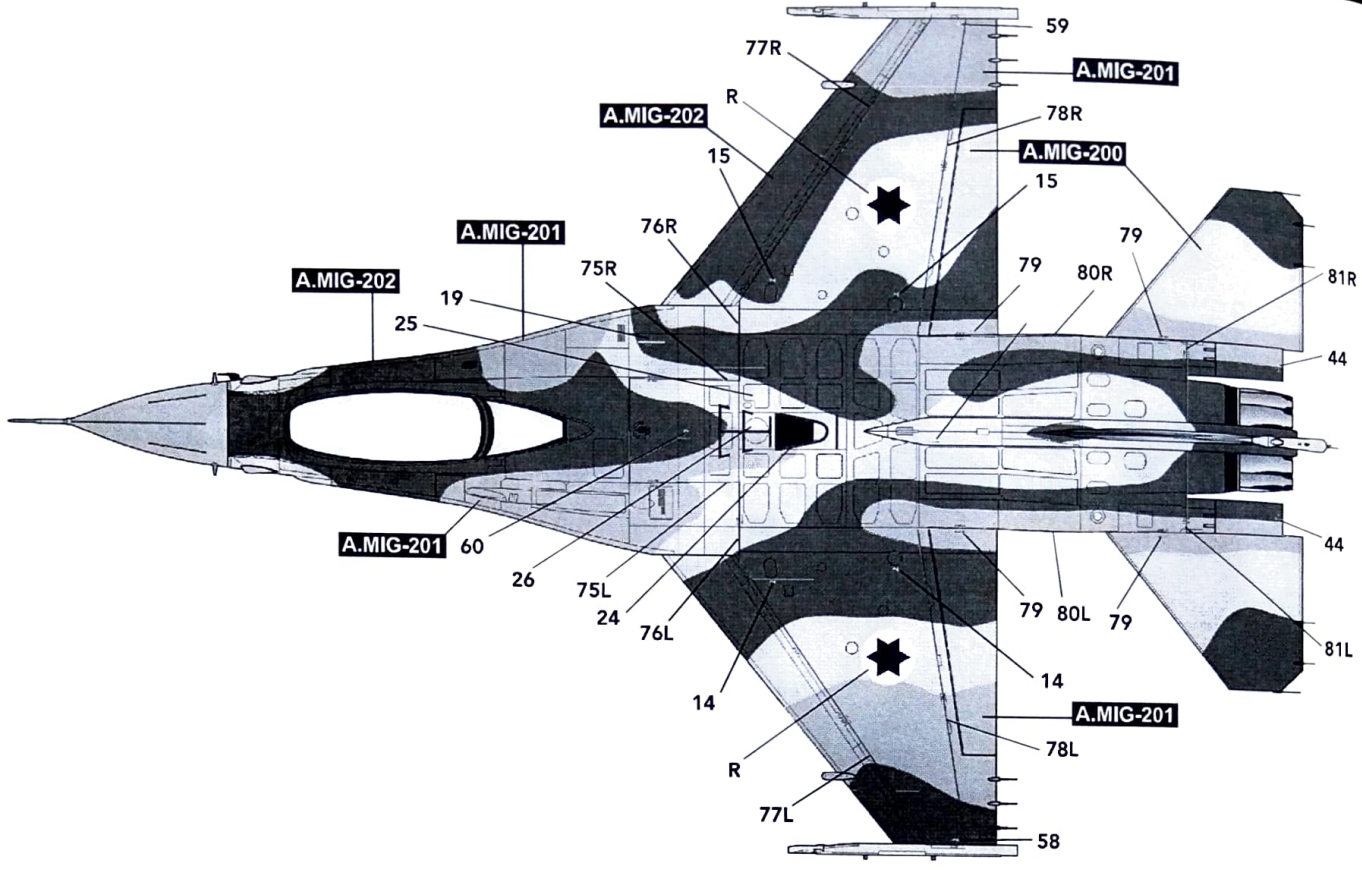
F-16C Block 40 No.516 - The Scorpion squadron

FS33531	FS34424	FS30219	FS36375
A.MIG-200	A.MIG-201	A.MIG-202	A.MIG-203

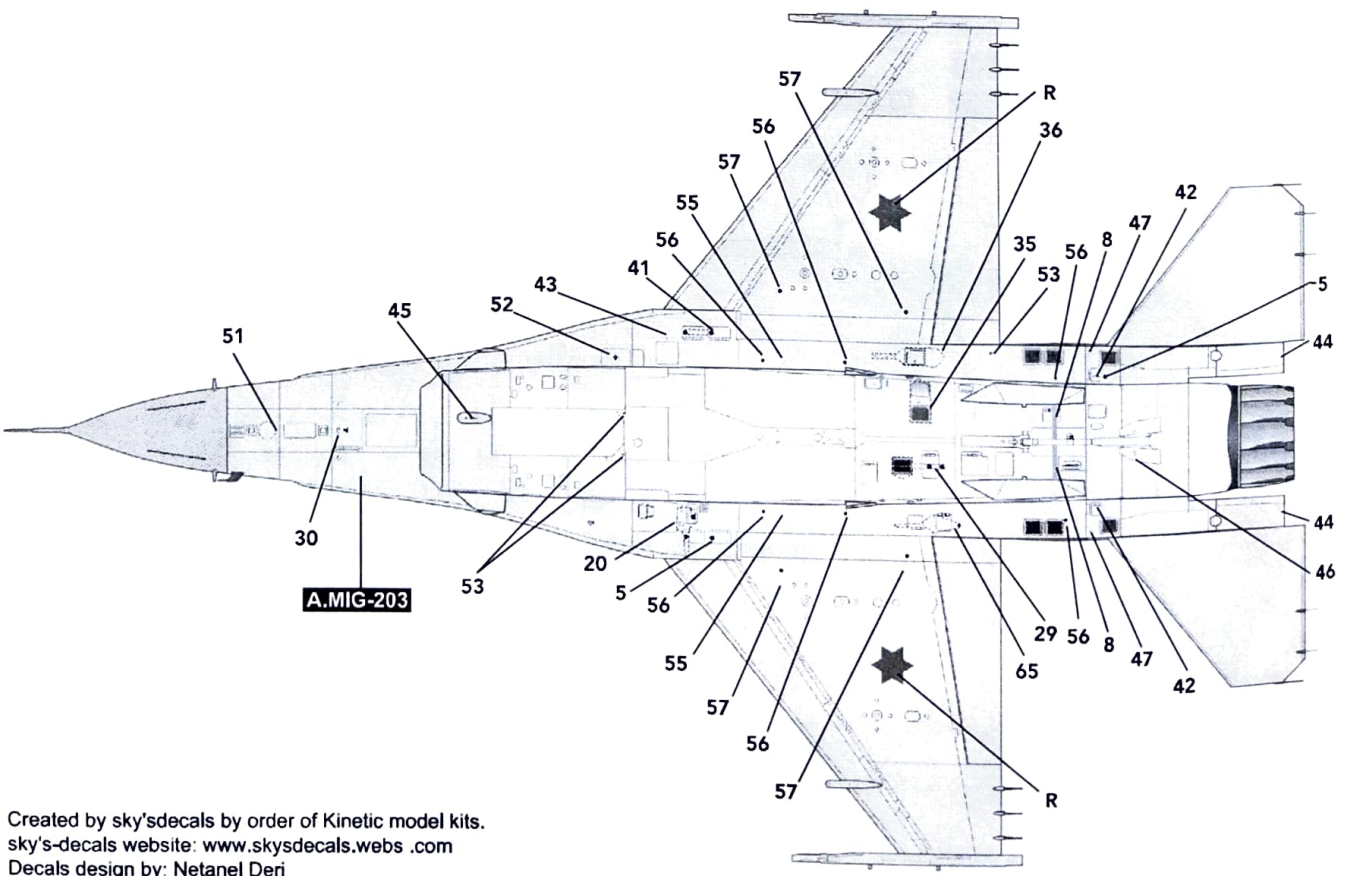


F-16C Block 40 No.558 - The Scorpion squadron





FS33531	FS34424	FS30219	FS36375
A.MIG-200	A.MIG-201	A.MIG-202	A.MIG-203



Created by sky'sdecals by order of Kinetic model kits.
 sky's-decals website: www.skysdecals.webs.com
 Decals design by: Netanel Deri