

Russian Su-27UB Flanker C

1:72 SCALE

俄罗斯苏-27UB“侧卫”C战斗教练机

READ BEFORE ASSEMBLY:

- Study and understand these instructions thoroughly before beginning assembly
- When needed, remove photo-etch parts carefully using a modeling knife or photo etch sprue cutter, being careful not to damage or lose small parts.
- Take extra care in handling photo etch parts in order to avoid injury
- Apply instant cement sparingly to photo etch parts where instructed
- Tools recommended(not included in kit):Plastic and instant cements,sprue cutters,long nose pliers,modeling knife, small files, tweezers, pin vise & scissors. Soft cloth and sandpaper will also assist in construction
- Glue and paint are not included in the kit. Use plastic cement and hobby paints only. Color guide for purchasing paint is included in the kit.

装配之前仔细阅读

- 小心用模型锉刀锉平所有零件表面的注射浇口。
- 小心用刀片切下蚀刻片零件，不要遗失小零件。
- 用强力快干胶水粘合蚀刻片零件和金属轴。过量快干胶水使用可能导致可动零件会粘住，小心涂胶。
- 取蚀刻片时应特别注意安全，防止利边划伤手指。
- 某些零件表面需贴水上贴纸，请选择在装配的同时进行。
- 推荐模型工具(自备)：胶水，水口剪刀，长咀钳，刀片，锉刀，镊子，钳，钻，剪刀，瞬间快干胶。
- 软布同砂纸同时也应该是必备工具。
- 请使用塑料胶水和油漆，模型内不含。

水贴纸的使用:

1. 从水贴上剪下印花;
2. 将印花放入温水中浸10秒, 然后放在干净布上。
3. 拿着印花纸板将印花移到模型上;
4. 手指蘸水将印花移到适当的位置;
5. 用软布轻压印花直至水干, 汽泡消失。

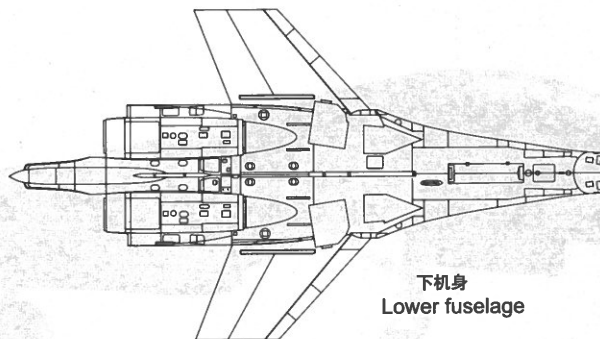
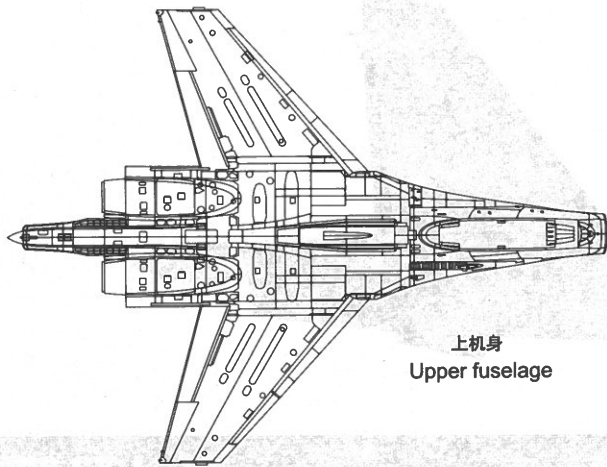
DECAL APPLICATION:

1. Cut decals from sheet as needed
2. Dip the decal in warm water for about 10 seconds and then place on soft clean cloth.
3. Hold the decal backing sheet edge and gently slide the decal onto the model in its proper position.

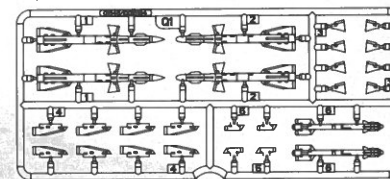
4. While still wet, decal can be adjusted for better fit on model by dampening it gently with your finger.
5. When placed in the proper position, gently press decal down with a soft cloth until excess water and air bubbles are gone.
6. Allow decal to dry completely before handling model

cyanoacrylate glue
使用强力胶weight
配重make hole
钻孔cut / remove
切除option
选择no cement
不涂胶水decal
贴纸bend
弯曲file / sand
锉平

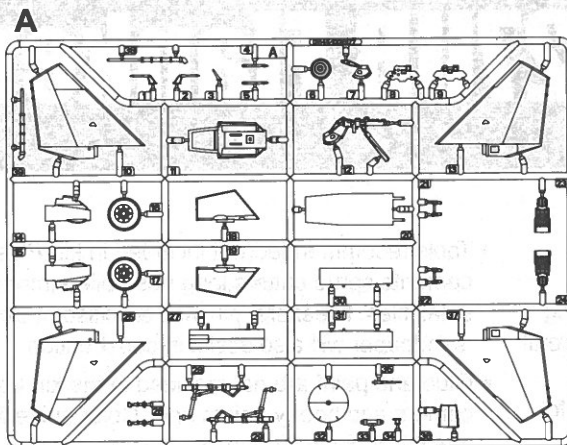
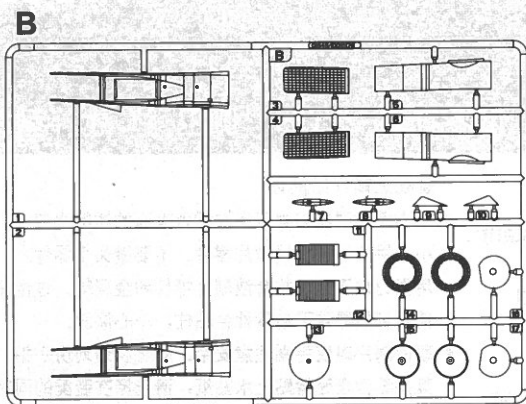
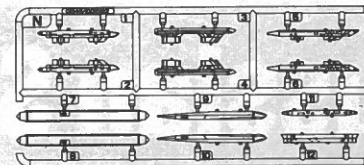
部品图 Parts



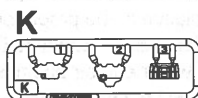
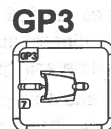
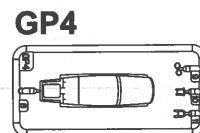
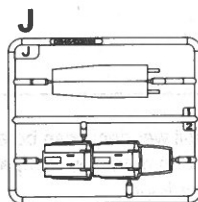
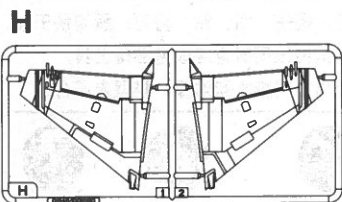
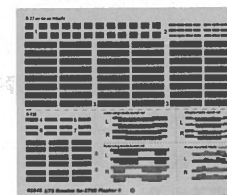
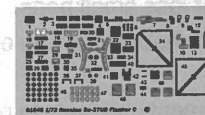
Q1×3



N



《水贴》
Decal



不用部件:A8 A9 A11 A13 A32 A36 A37 A38 N7 N8
Unused parts

1

A23

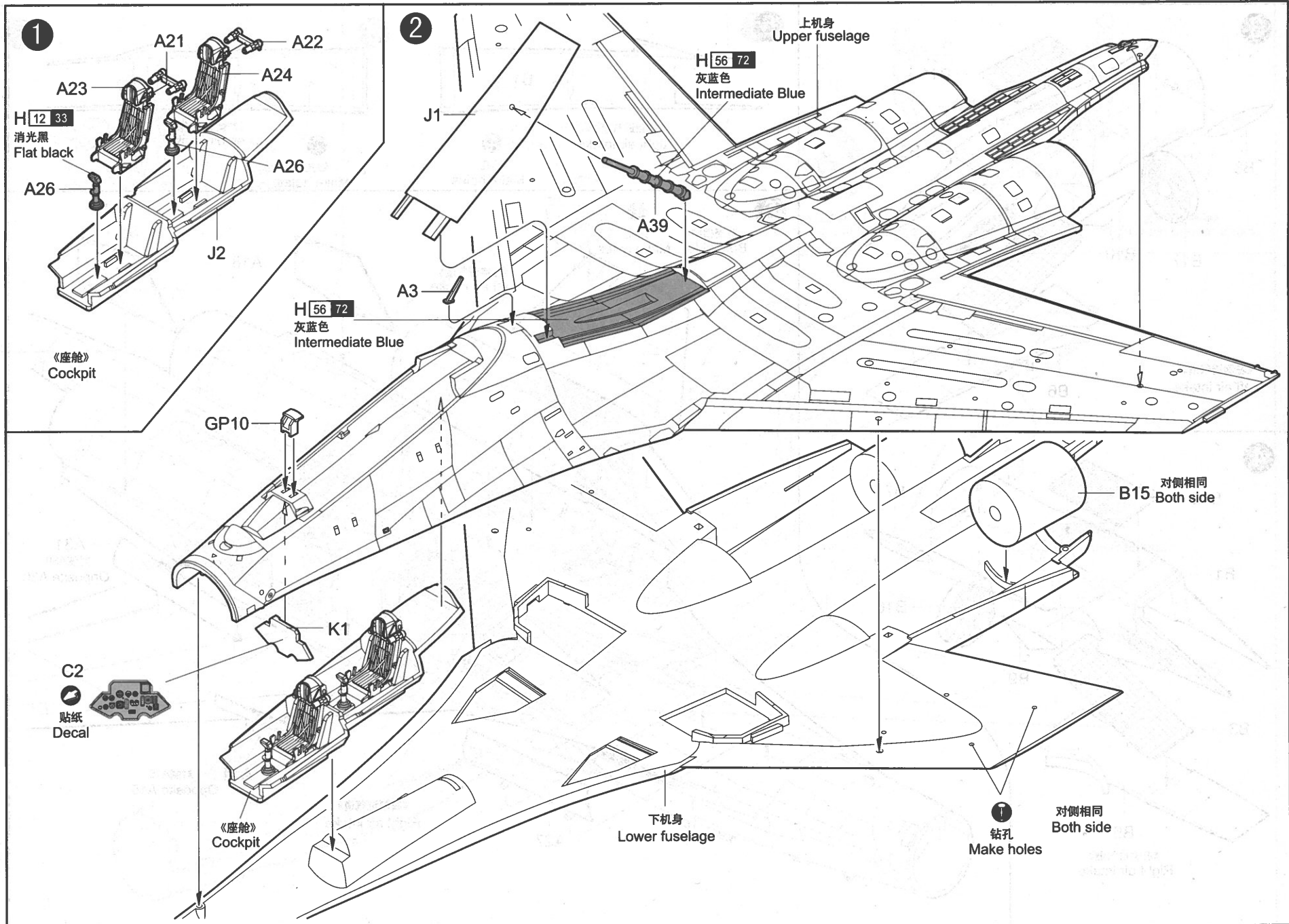
H 12 33
消光黑
Flat black

A26

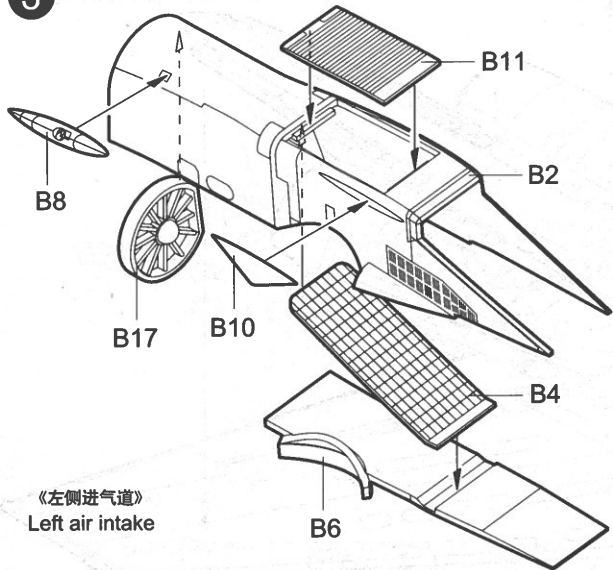
《座舱》
Cockpit

C2

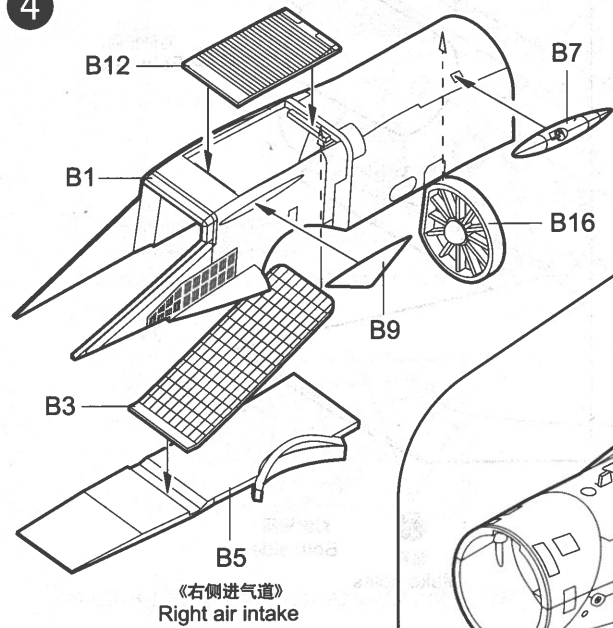
贴纸
Decal



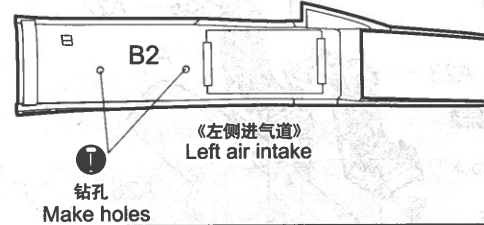
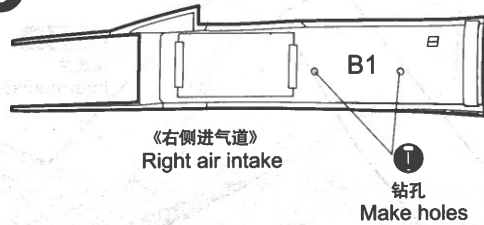
3



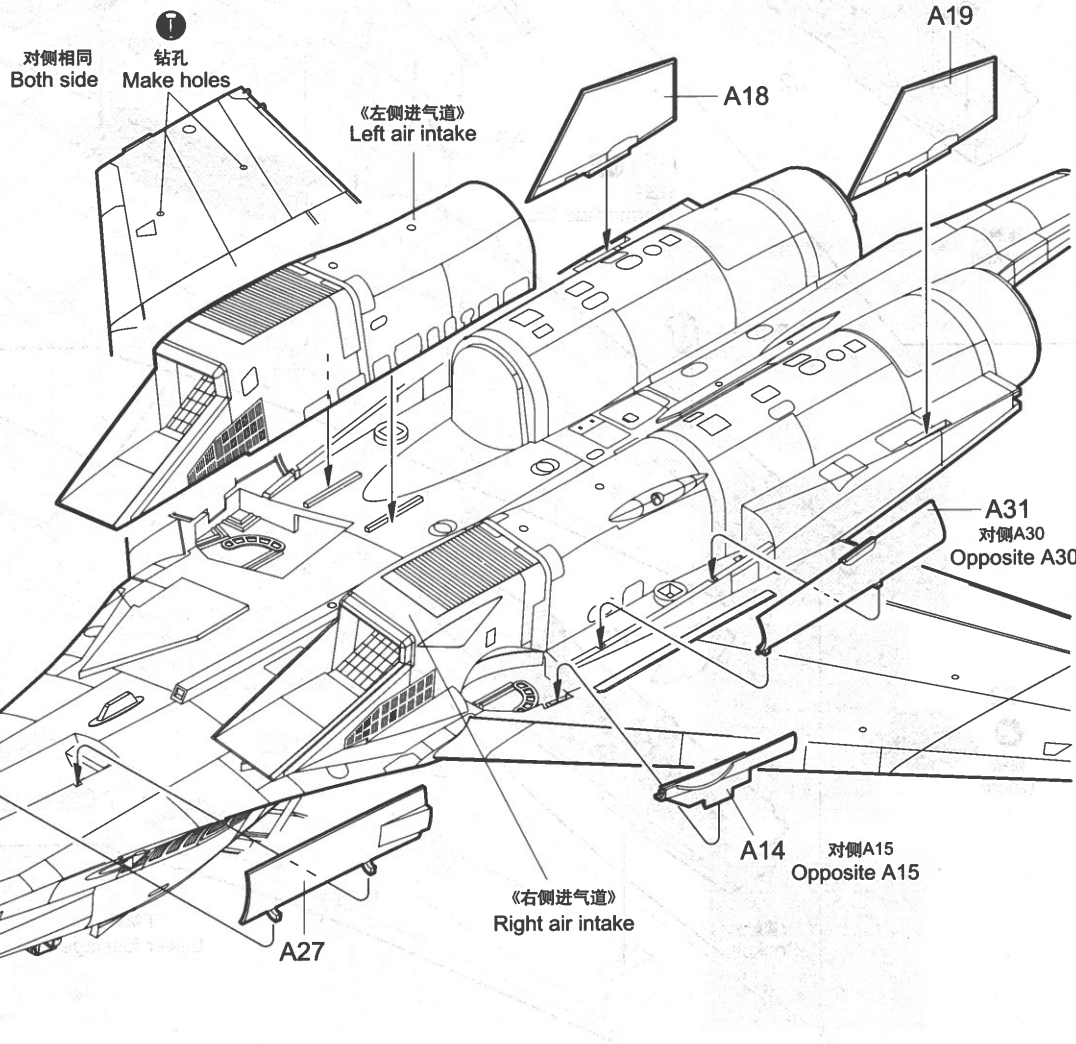
4



5



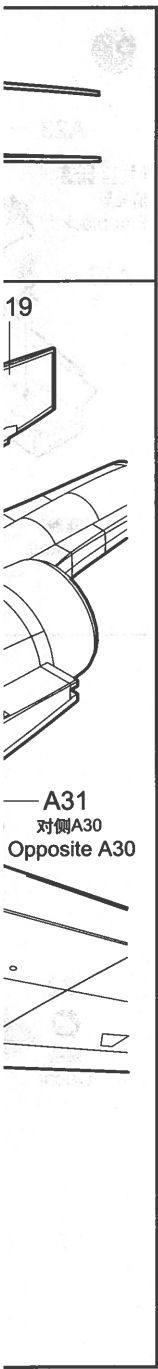
6



7

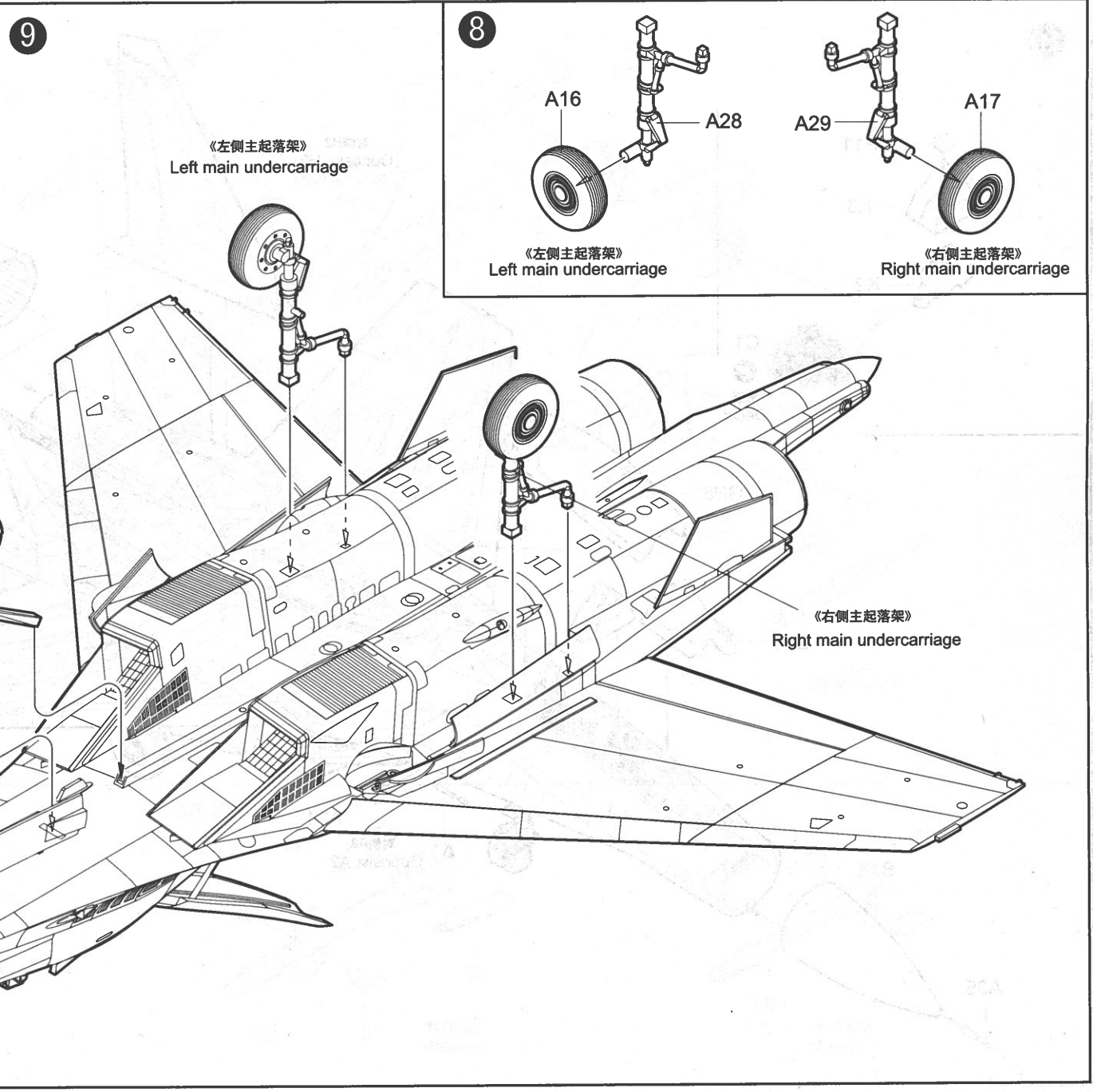
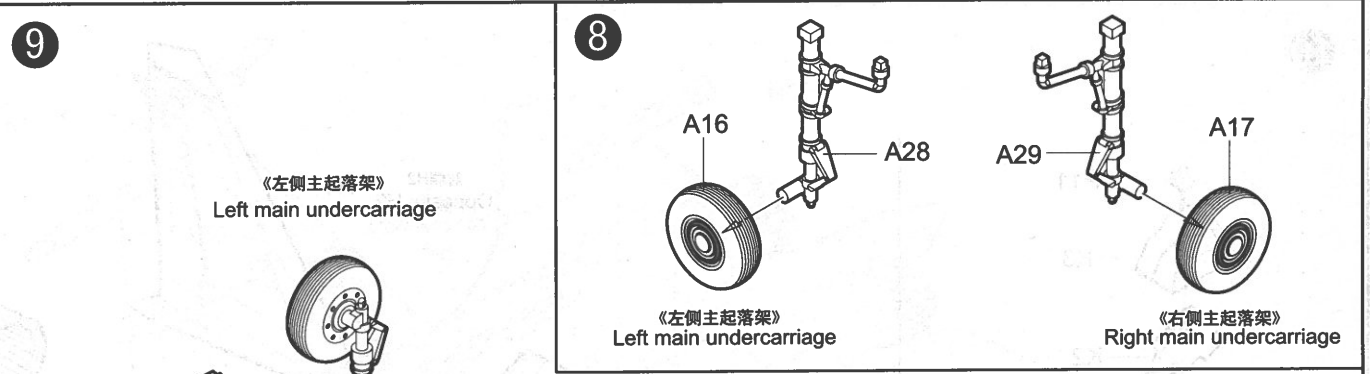
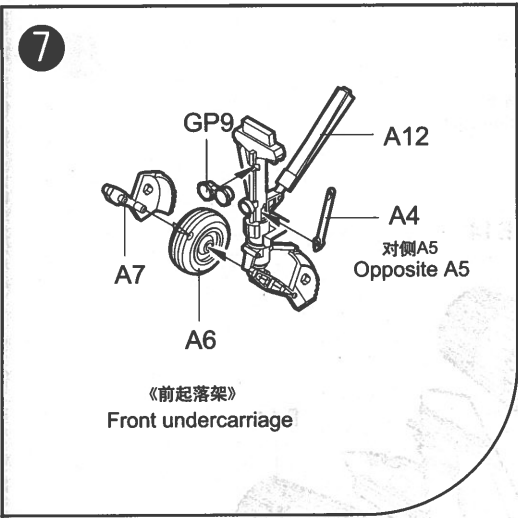


《前 Front ur

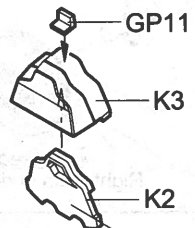


19

A31
对侧A30
Opposite A30



10



对侧H2
Opposite H2

H1

B14

B14

GP8

GP7

A25

对侧A10
Opposite A10

A34

A1

对侧A2
Opposite A2

B13

A35

01645

6

84010

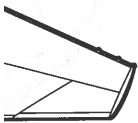
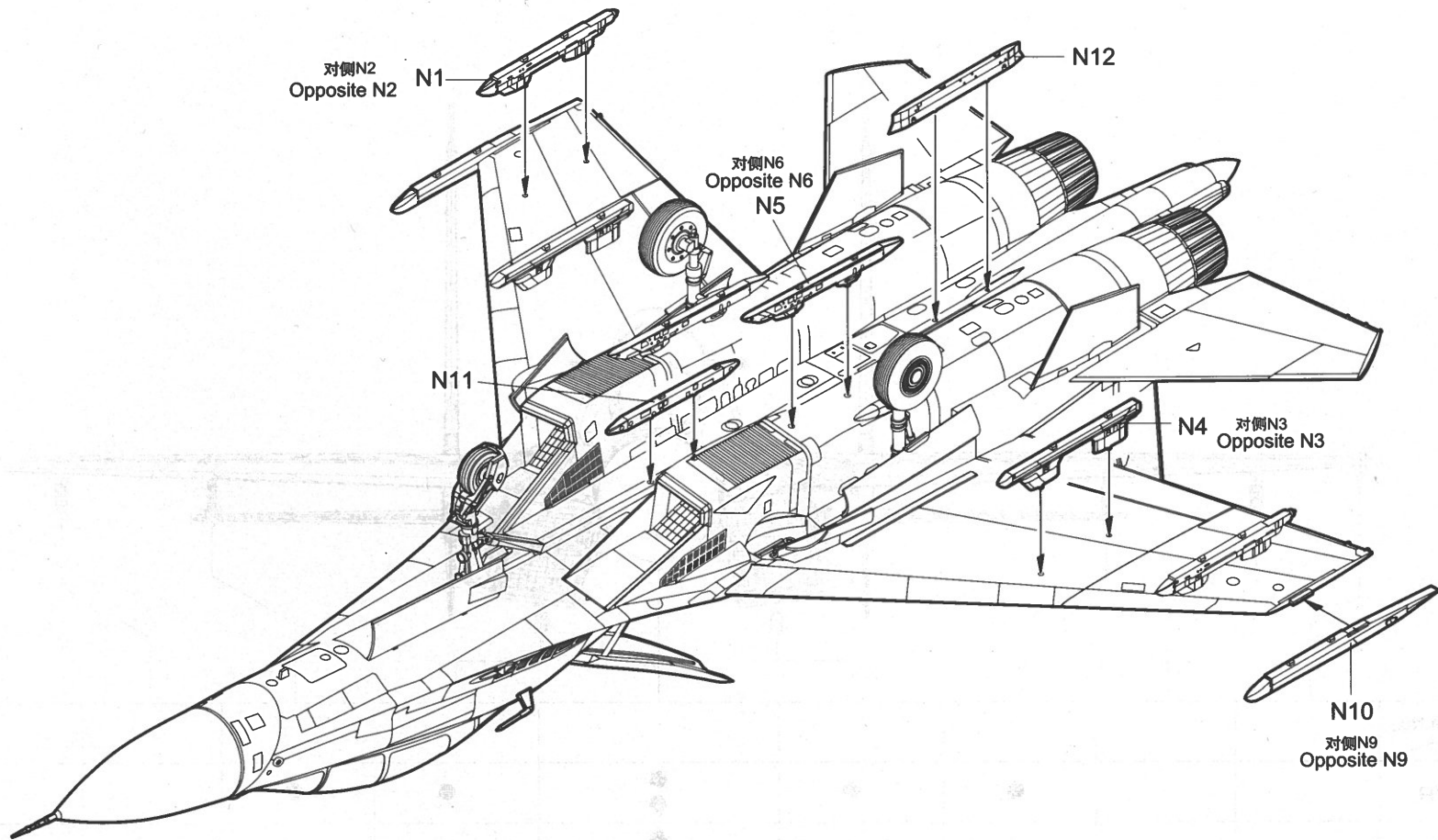
11

12

《R-》

01645

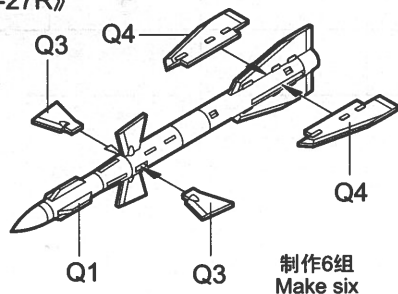
11



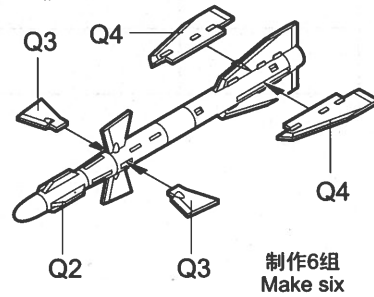
对侧A10
Opposite A10

12

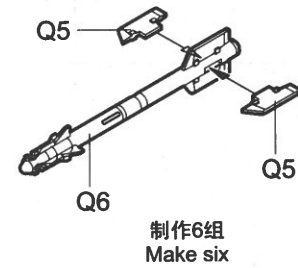
《R-27R》



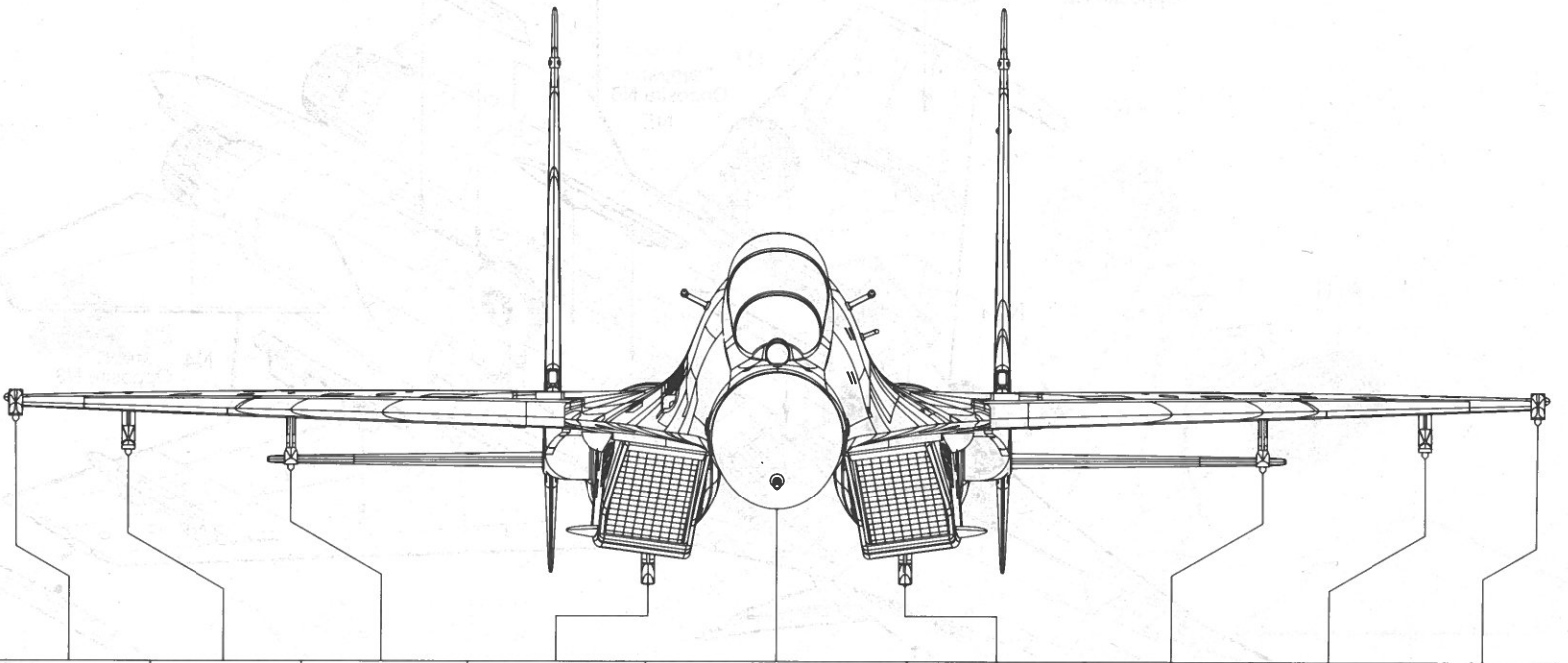
《R-27T》



《R-73E》



13



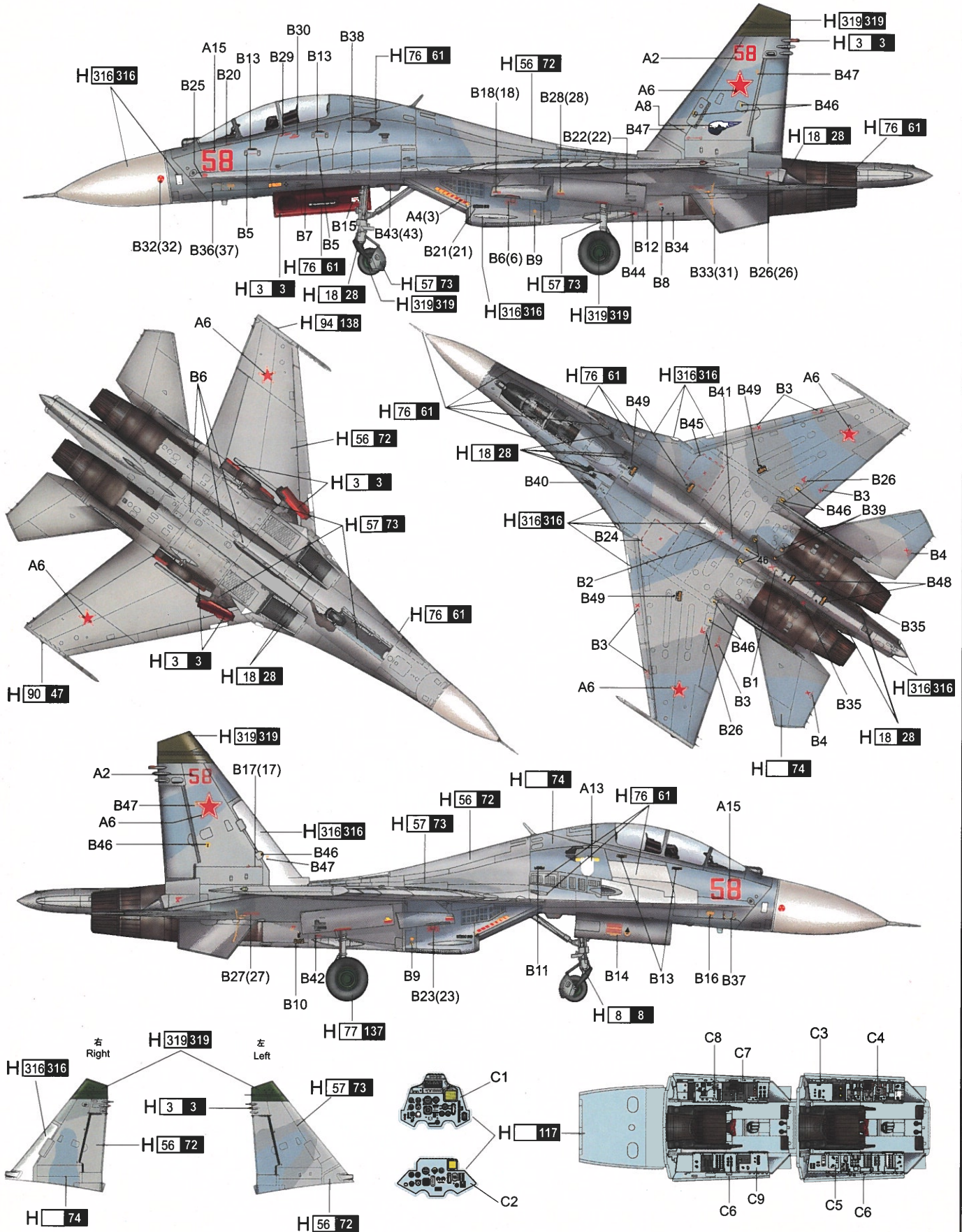
Missile \ Sta.No.	1	2	3	4	5	6	7	8	9
R-27R			•	•	•	•	•	•	
R-27T			•	•	•	•	•	•	
R-73E	•	•						•	•

涂装同标贴指示 Painting & Marking guide

A

PAINT REFERENCE COLOUR					
Color	Mr.Hobby	Vallejo	Model Master	Tamiya	Humbrol
红色 Red	H 3 3	908	1503	X7	19
银色 Silver	H 8 8	997	1546	X11	11
烧蚀色 Burnt Iron	H 76 61	863	1795	X10	53
胎黑色 Tire black	H 77 137	-	-	-	-
透明红 Clear Red	H 90 47	934	-	X27	-
透明绿 Clear Green	H 94 138	936	-	X25	-

PAINT REFERENCE COLOUR					
Color	Mr.Hobby	Vallejo	Model Master	Tamiya	Humbrol
黑棕色 Metal Brown	H 18 28	864	1402	-	-
灰白色 Aircraft Gray	H 57 73	-	-	-	-
灰蓝色 Intermediate Blue	H 56 72	903	1720	-	144
浅灰蓝 Pearl Grey	H 74	-	-	-	-
白色 White insignia	H 316 316	991	1745	X2	22
海松叶色 Light Green	H 319 319	-	1713	-	117



H AQUEOUS HOBBY COLOR

x Mr. COLOR

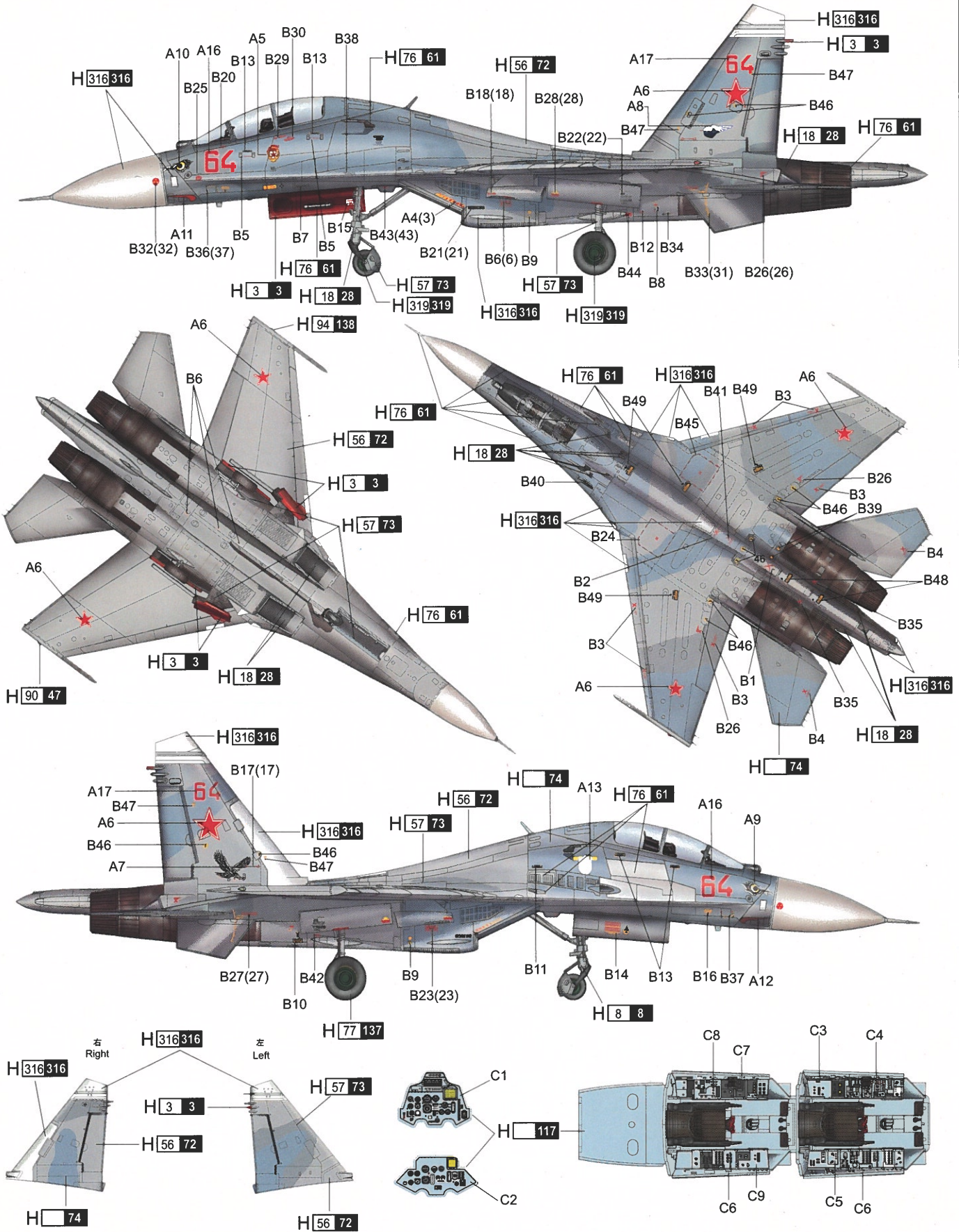
A

涂装同标贴指示 Painting & Marking guide

B

PAINT REFERENCE COLOUR					
Color	Mr.Hobby	Vallejo	Model Master	Tamiya	Humbrol
红色 Red	H 3 3	908	1503	X7	19
银色 Silver	H 8 8	997	1546	X11	11
烧蚀色 Burnt Iron	H 76 61	863	1795	X10	53
胎黑色 Tire black	H 77 137	-	-	-	-
透明红 Clear Red	H 90 47	934	-	X27	-
透明绿 Clear Green	H 94 138	936	-	X25	-

PAINT REFERENCE COLOUR					
Color	Mr.Hobby	Vallejo	Model Master	Tamiya	Humbrol
扁铁色 Metal Brown	H 18 28	864	1402	-	-
灰白色 Aircraft Gray	H 57 73	-	-	-	-
灰蓝色 Intermediate Blue	H 56 72	903	1720	-	144
浅灰蓝 Pearl Grey	H 74	-	-	-	-
白色 White Insignia	H 316 316	991	1745	X2	22
浅绿色 Light Green	H 319 319	-	1713	-	117



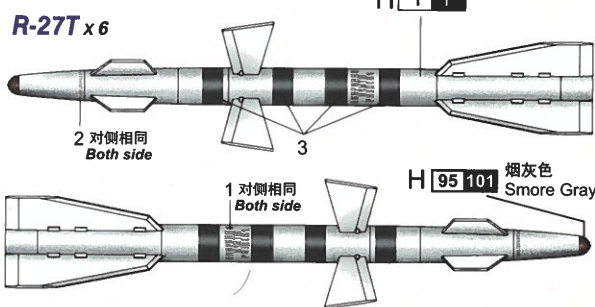
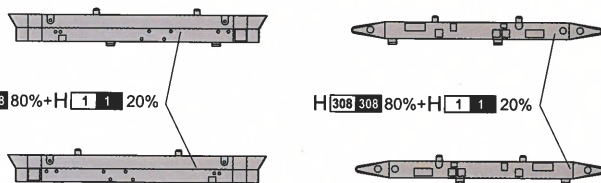
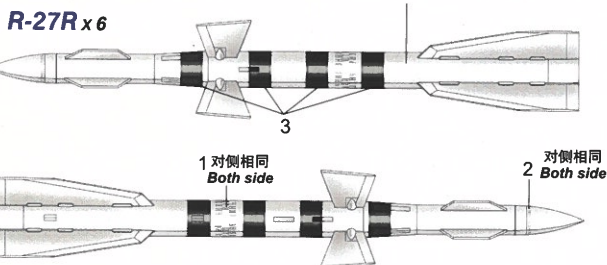
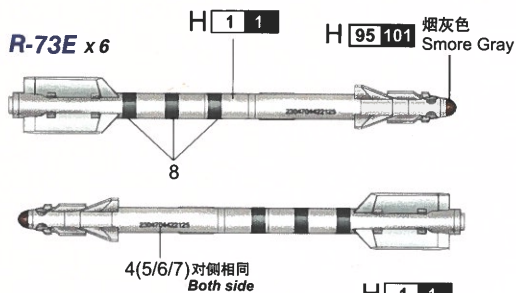
H AQUEOUS HOBBY COLOR Mr. Mr. COLOR

涂装同标贴指示 Painting & Marking guide

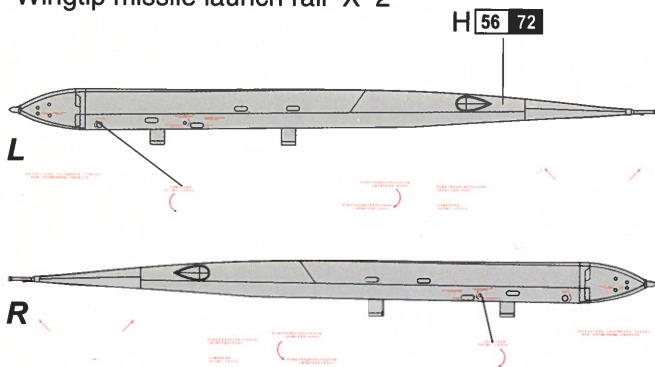
PAINT REFERENCE COLOUR

Color	Mr.Hobby	Vallejo	Model Master	Tamiya	Humbrol	Color	Mr.Hobby	Vallejo	Model Master	Tamiya	Humbrol
White 白色	H 1 1	842	1745	XF2	22	Smoke Blue 烟蓝色	H 96 101	-	-	-	-
Burly Wood 胡桃色	H 76 81	863	1795	XF10	53	White 白色	H 816 316	991	1745	X2	22
Gray 灰色	H 308 308	990	1728	XF19	127	Intermediate Blue 灰蓝色	H 56 72	903	1720	-	144

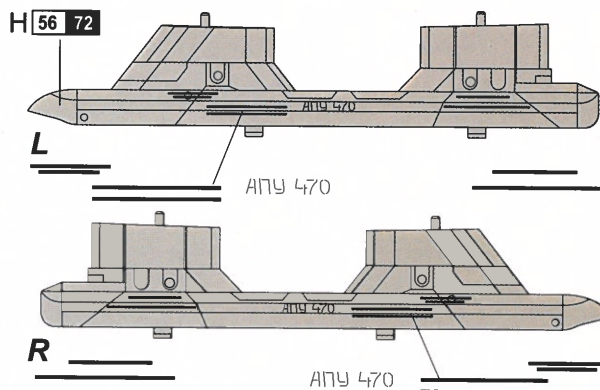
R-73E x 6



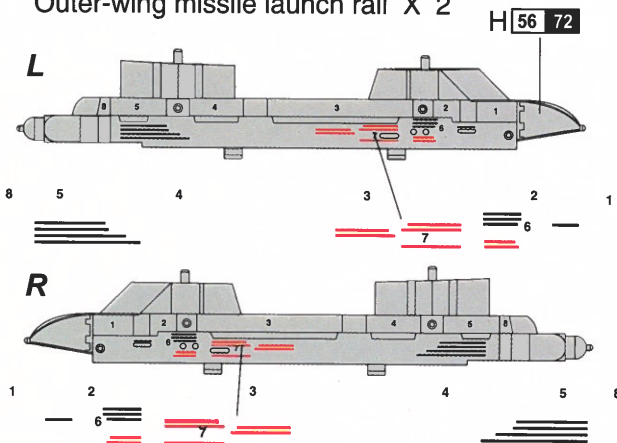
Wingtip missile launch rail X 2



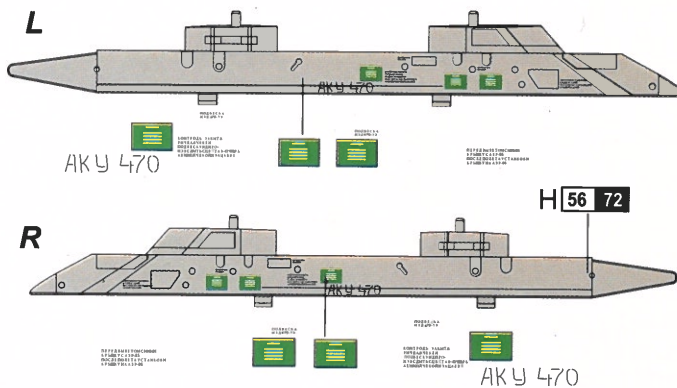
Inside-wing missile launch rail X 2



Outer-wing missile launch rail X 2



Intake-mounted missile launch rail X 2



H X AQVEOUS HOBBY COLOUR

X MR.COLOUR