

F-106 Delta Dart

Known as the "Ultimate Interceptor" the F-106 Delta Dart entered operational service in May 1959 with the 498th Fighter Interceptor Squadron at Geiger AFB, Washington. It would remain in service as America's premier interceptor for almost a quarter of a century before finally being replaced by the F-15 Eagle. The F-106 would leave operational service as the last pure interceptor developed for the U.S. Air Force.

Armed with two semi-active radar guided AIM-4F and two infrared guided AIM-4G Falcon missiles, the Delta Dart's only mission was to defend America from attack by enemy bombers. For attacks on formations of enemy bombers, one unguided AIR-2 Genie rocket with a nuclear warhead could also be carried. Later, a Vulcan cannon with 650 rounds of 20-mm ammunition could be installed in the weapons bay in place of the

Genie. A Hughes MA-1 fire control system and a sophisticated command and control system allowed the F-106 to be flown to its target in all weather conditions. Powered by a Pratt & Whitney J-75-P-17 engine with afterburner, the Delta Dart was capable of exceeding Mach 2 speed, allowing it to quickly intercept and destroy even the very fastest enemy bombers.

Your Revell model comes with two sets of colorful markings. One is from the 456th Fighter Interceptor Squadron at Castle Air Force Base, California, in 1962, while the second is from the 48th Fighter Interceptor Squadron at Langley AFB, Virginia, in 1972. This squadron also maintained a detachment at Homestead AFB, Florida, in the early 1970s. The aircraft from the 48th FIS features the blown frameless canopy used on Delta Darts during the second half of their operational life.



* REPEAT SEVERAL TIMES

* REPEAT PROCEDURE

* OPTIONAL PARTS

* DECAL

* ASSEMBLY CAUTION

* CEMENT TOGETHER

* REMOVE AND THROW AWAY

* DO NOT CEMENT

* A REPETER PLUSIEURS FOIS

* RÈPÈTEZ LE PROCÉDÉ

* PIÈCES EN OPTION

* DECAL COMANIE

* ATTENTION D'ASSEMBLÉE

* A COLLER

* A RETIRER ET JETER

* NE PAS COLLER

READ THIS BEFORE YOU BEGIN

- * Study the assembly drawings.
- * Each plastic part is identified by a number.
- * In the assembly drawings, some parts will be marked by a star (★) to indicate chrome plated plastic.
- * For better paint and decal adhesion, wash the plastic parts in a mild detergent solution. Rinse and let air dry.
- * Check the fit of each piece before cementing in place.
- * Use only cement for polystyrene plastic.
- * Scrape plating and paint from areas to be cemented.
- * Allow paint to dry thoroughly before handling parts.
- * Any unused parts may be discarded.

DECAL APPLICATION INSTRUCTIONS

1. Cut desired decal from sheet.
2. Dip decal in water for a few seconds.
3. Place wet decal on paper towel.
4. Wait until decal is movable on paper backing.
5. Place decal in position on model, face up and slide backing away.
6. Press out air bubbles with a soft damp cloth.
7. Milkyness that may appear is for better decal adhesion and will dry clear. Wipe away any excess adhesive.
8. Do not touch decal until fully dry.
9. Allow the decals 48 hours to dry before applying clear coat.

NOTE: Decals are compatible with setting solutions or solvents.

LIRE CE QUI SUIT AVANT DE COMMENCER

- * Etudier les schémas de montage.
- * Chaque pièce en plastique est identifiée par un numéro.
- * Sur les schémas de montage, certaines pièces sont marquées d'une étoile (★) pour indiquer qu'elles sont en plastique chromé.
- * Pour une meilleure prise de la peinture et des autocollants, laver les pièces en plastique avec une solution détergente peu concentrée. Les rincer et les laisser sécher à l'air.
- * Vérifier que chaque pièce s'ajuste bien avant de la coller en place.
- * N'utiliser que de la colle pour polystyrène.
- * Gratter les parties à coller pour enlever le chrome et la peinture.
- * Laisser la peinture bien sécher avant de manipuler les pièces.
- * Toute pièce inutilisée peut être jetée.

DIRECTIVES D'APPLICATION DES AUTOCOLLANTS

1. Découper l'autocollant désiré de la feuille.
2. Tremper l'autocollant dans de l'eau pendant quelques secondes.
3. Placer l'autocollant mouillé sur une serviette en papier.
4. Attendez que l'autocollant puisse être déplacé sur son support en papier.
5. Mettre l'autocollant en position sur le modèle face sur le dessus et faire glisser le support pour l'enlever.
6. Appuyer avec un chiffon doux humide pour éliminer les bulles d'air.
7. La substance laiteuse qui peut apparaître est destinée à améliorer l'adhésion de l'autocollant et devient incolore au séchage. Essuyer pour enlever tout excédent d'adhésif.
8. Ne pas toucher l'autocollant tant qu'il n'est pas bien sec.
9. Laisser l'autocollant sécher pendant 48 heures avant d'appliquer une couche transparente.

REMARQUE: Les autocollants sont compatibles avec les solutions de fixation ou les solvants.

This optional paint guide is provided if you choose to detail paint your model.

Ce guide de peinture vous sera fourni si vous choisissez de peindre votre modèle en détail.

Aluminum		Aluminium
Aircraft Gray	FS 16473	Gris aéronaf
Dark Gull Gray	FS 36231	Gris cendré foncé
Flat Black	FS 37038	Noir mat
Flat White	FS 37875	Blanc mat
Flesh		Chair
Gloss Red	FS 11136	Rouge brillant
Gloss White	FS 17880	Blanc brillant
Gloss Yellow	FS 14538	Jaune brillant
Interior Green	FS 34151	Vert intérieur
Light Olive	FS 14255	Olivet clair
Olive Drab	FS 34087	Gris olivét
Olive Green	FS 34079	Vert olivét
Silver		Argent
Steel		Acier

If you have any questions or comments, call our hotline at: **(800) 833-3570** or, please write to:

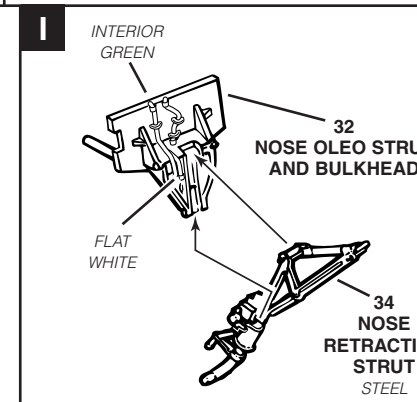
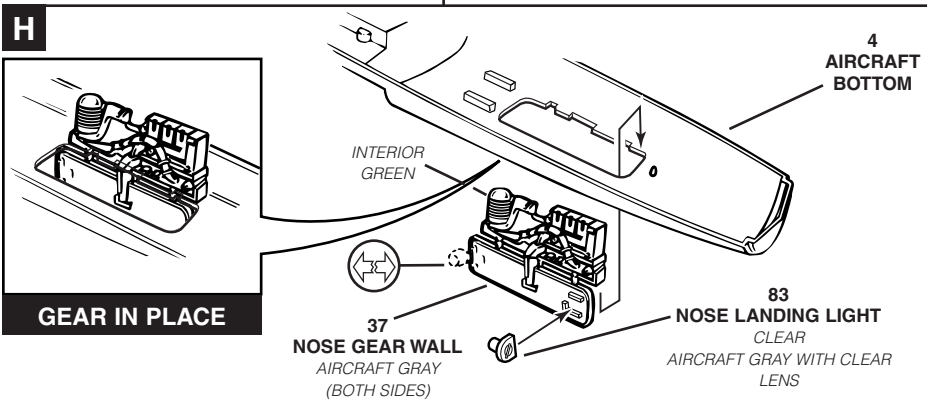
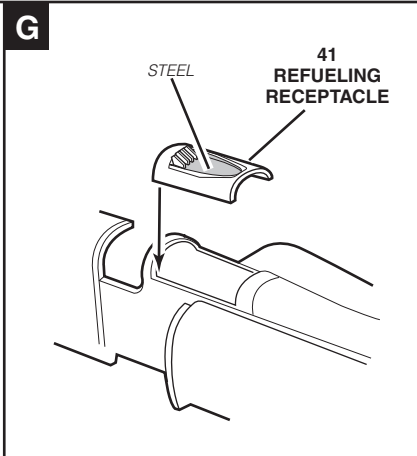
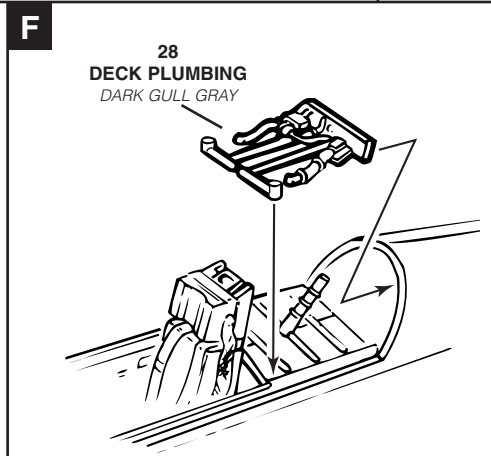
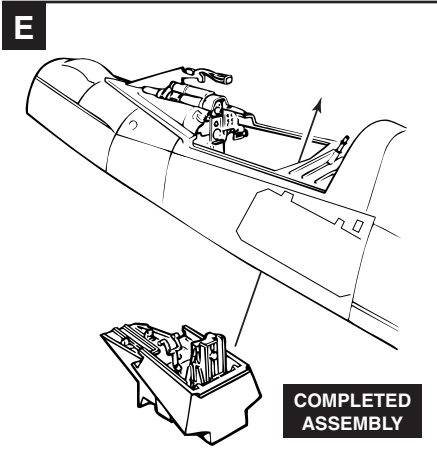
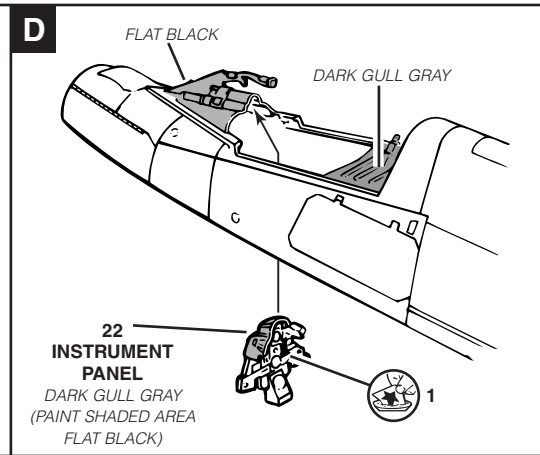
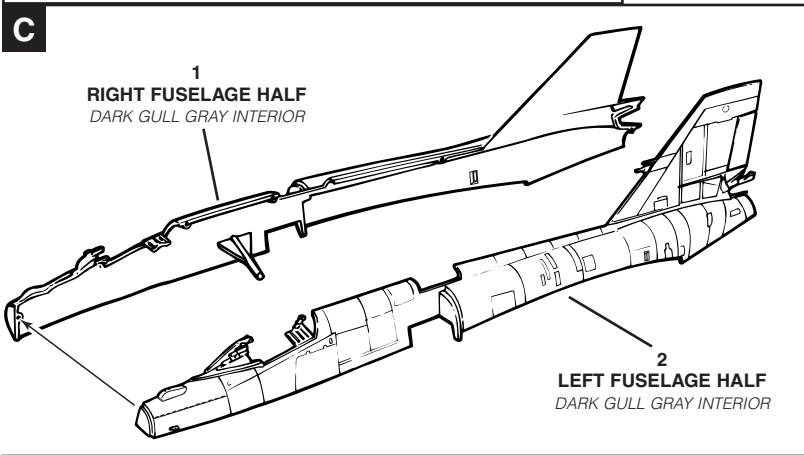
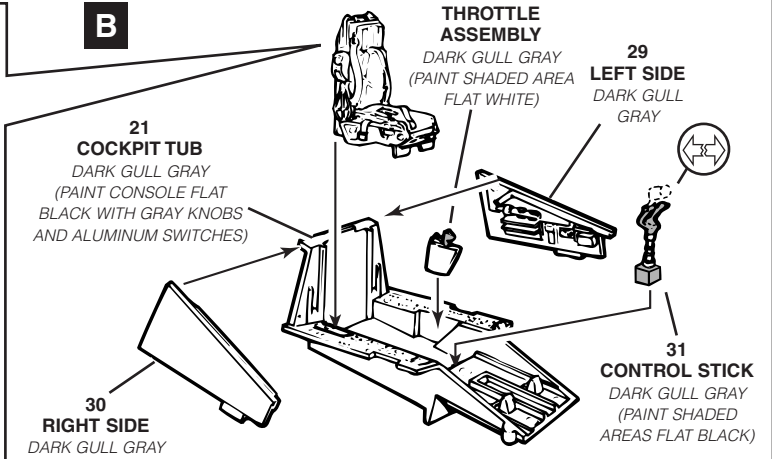
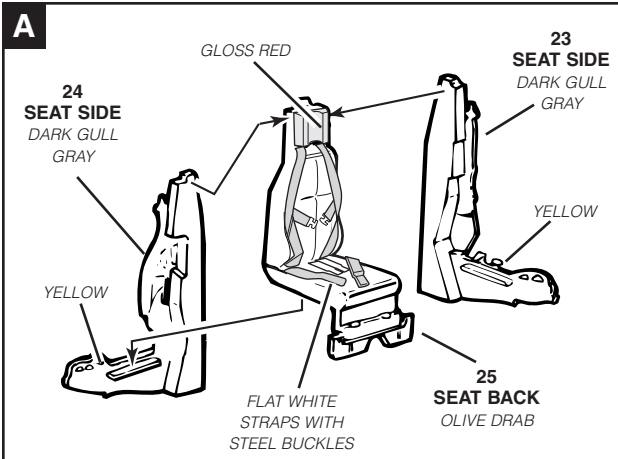
Revell Inc Consumer Service Department, 1850 Howard Street Unit A, Elk Grove Village, Illinois 60007

Be sure to include the plan number (85584710200), part number, description, your return address and phone number.

Visit our website: www.revell.com

1

MAJOR AIRFRAME ASSEMBLY

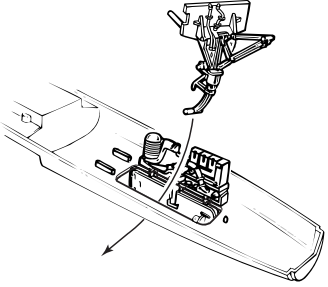


1

MAJOR AIRFRAME ASSEMBLY CONTINUED

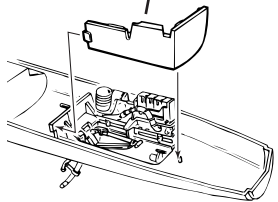
J

COMPLETED ASSEMBLY



K

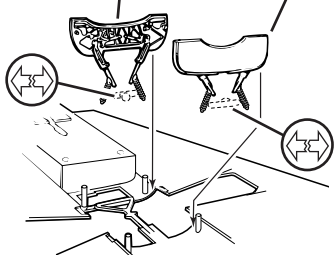
36 NOSE GEAR WALL
INTERIOR GREEN



L

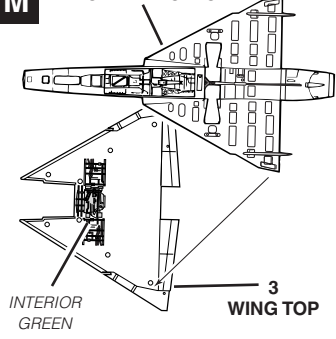
48 MAIN WHEEL FRONT BULKHEAD
INTERIOR GREEN

47 MAIN WHEEL REAR BULKHEAD
INTERIOR GREEN



M

4 AIRCRAFT BOTTOM



2

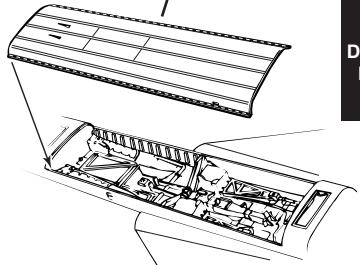
MISSILE BAY ASSEMBLY

A

64 CLOSED MISSILE BAY DOORS

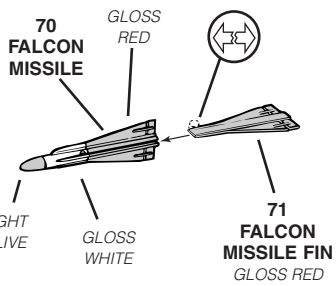


NOTE: ALTERNATE ASSEMBLY IF YOU USE THE CLOSED MISSILE BAY DOORS YOU DO NOT NEED TO FOLLOW STEPS B THRU F



B

4X



C

69 GENIE MISSILE HALF
GLOSS WHITE



68 GENIE MISSILE HALF
GLOSS WHITE

D

62 FRONT HYDRAULIC ACTUATORS
INTERIOR GREEN

58 SHOCK WEB
INTERIOR GREEN

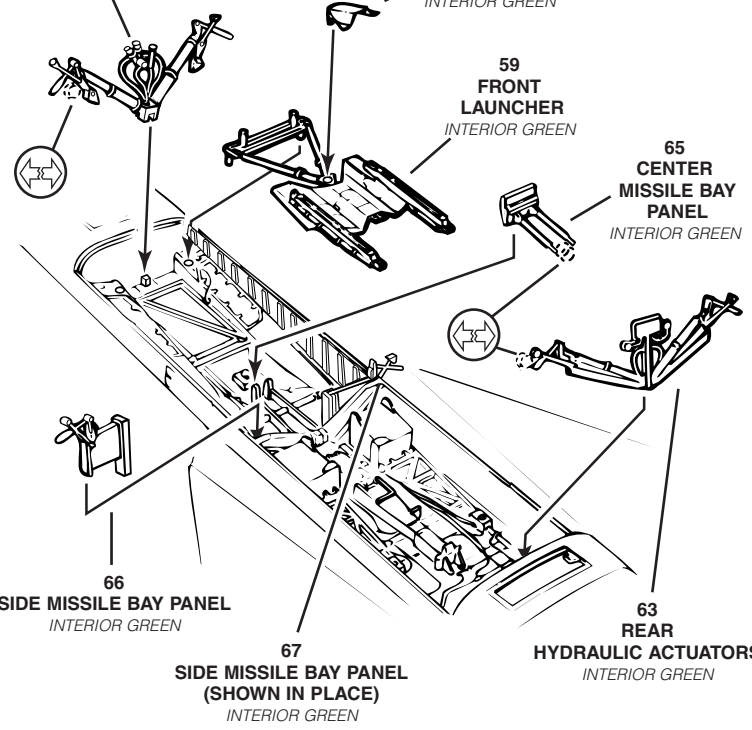
59 FRONT LAUNCHER
INTERIOR GREEN

65 CENTER MISSILE BAY PANEL
INTERIOR GREEN

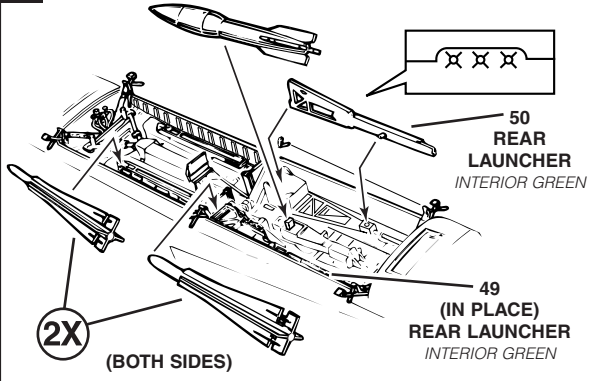
66 SIDE MISSILE BAY PANEL
INTERIOR GREEN

67 SIDE MISSILE BAY PANEL (SHOWN IN PLACE)
INTERIOR GREEN

63 REAR HYDRAULIC ACTUATORS
INTERIOR GREEN



E

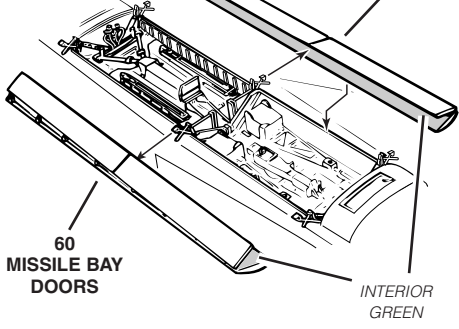


F

61 MISSILE BAY DOORS

60 MISSILE BAY DOORS

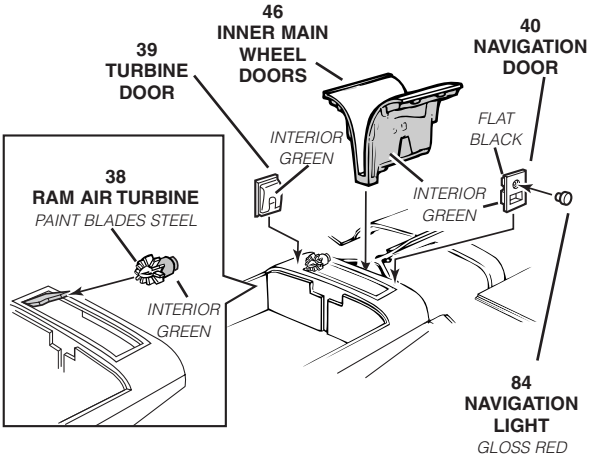
INTERIOR GREEN



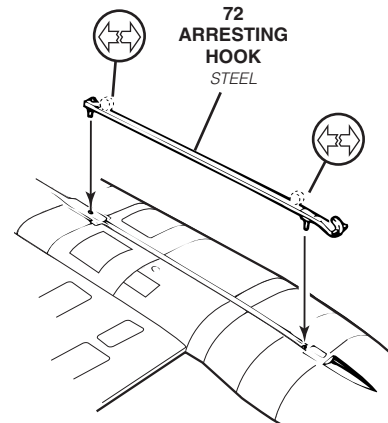
3

DOORS AND HOOK ASSEMBLY

A



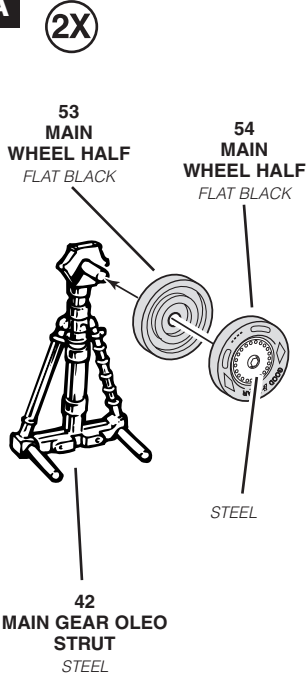
B



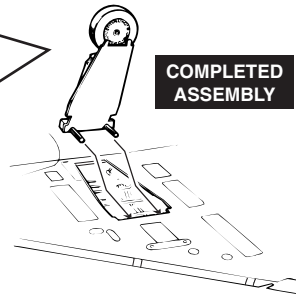
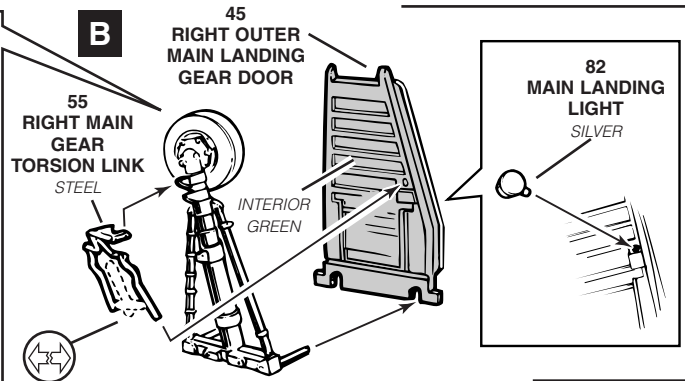
4

MAIN GEAR ASSEMBLY

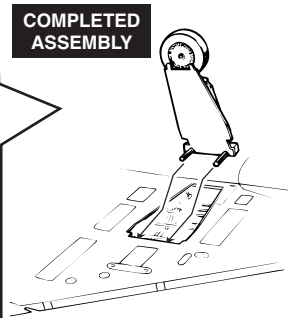
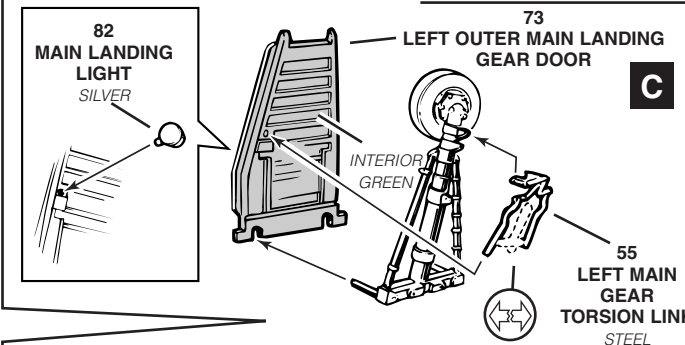
A



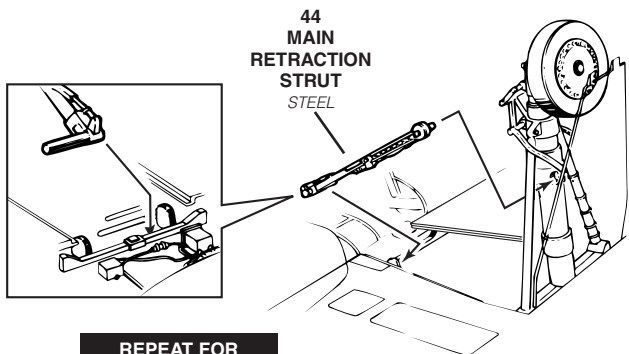
B



C

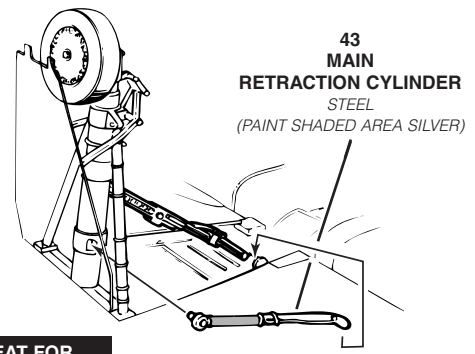


D



REPEAT FOR OTHER SIDE

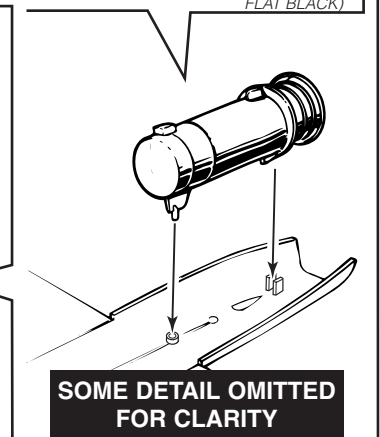
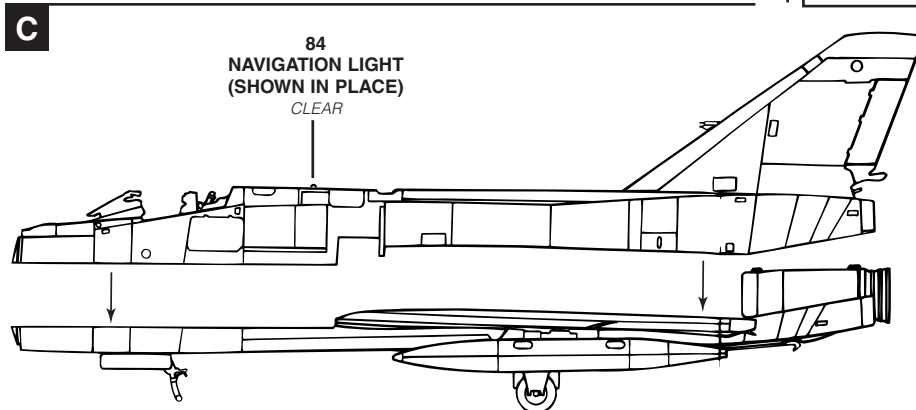
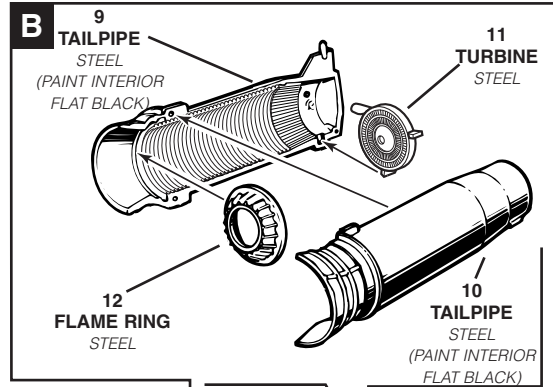
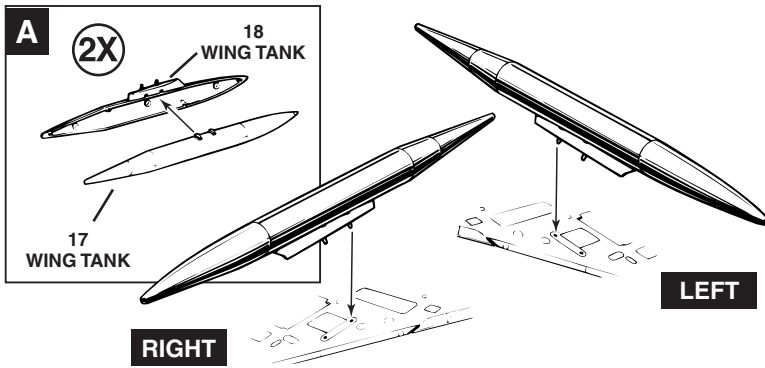
E



REPEAT FOR OTHER SIDE

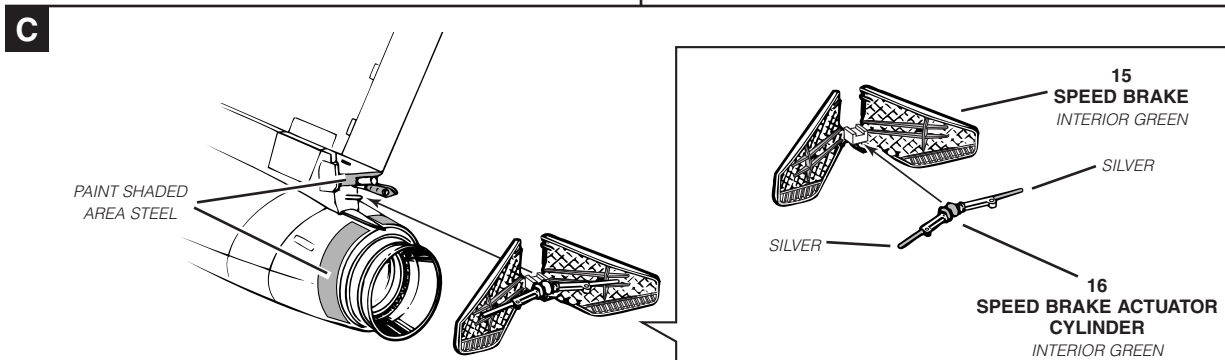
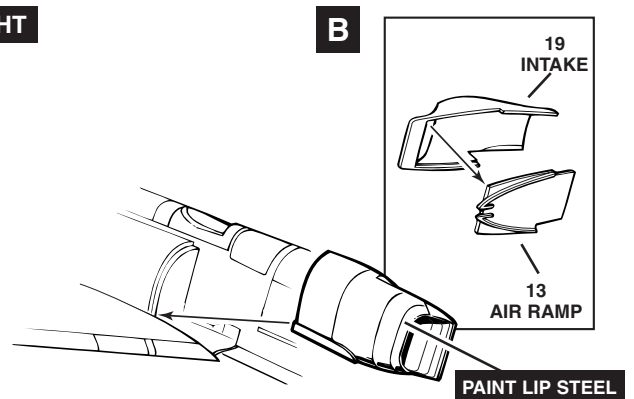
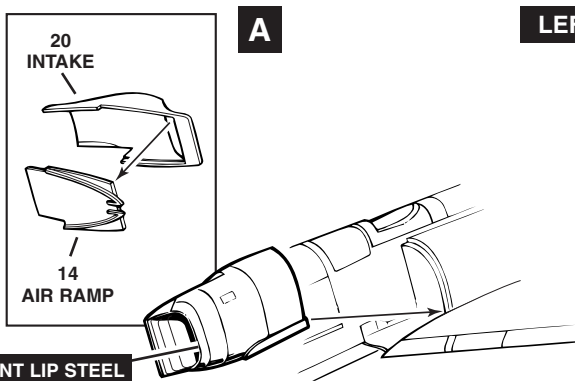
5

WING TANK AND AFTERBURNER ASSEMBLY



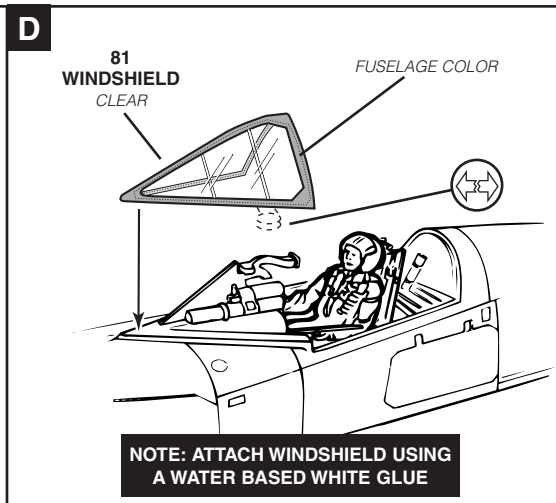
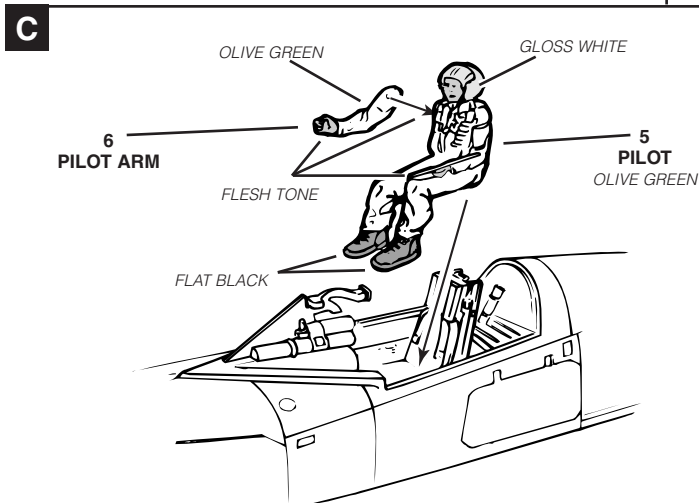
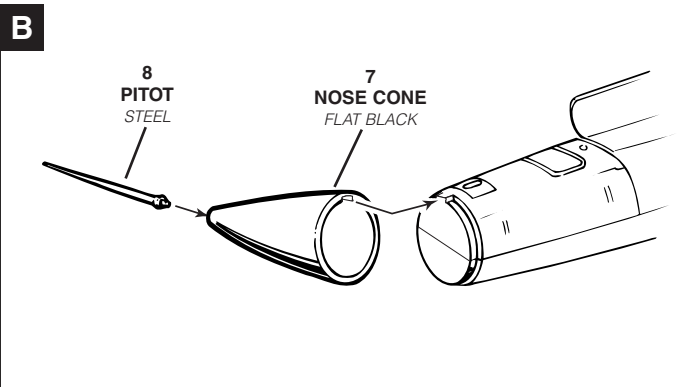
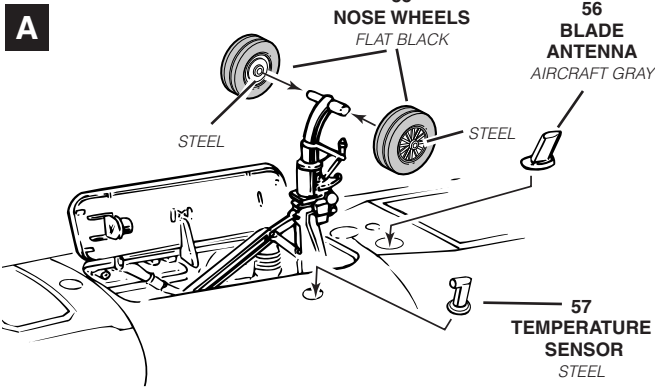
6

INTAKES AND SPEED BRAKE ASSEMBLY



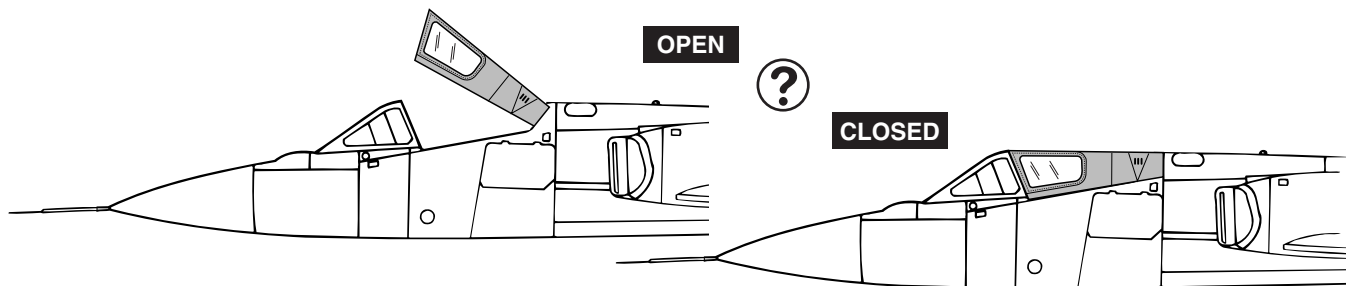
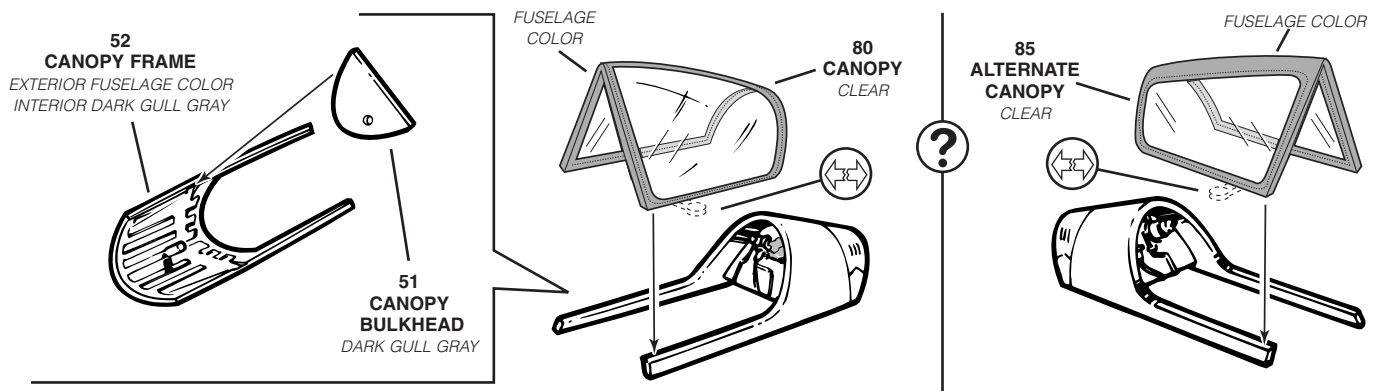
7

FINAL ASSEMBLY



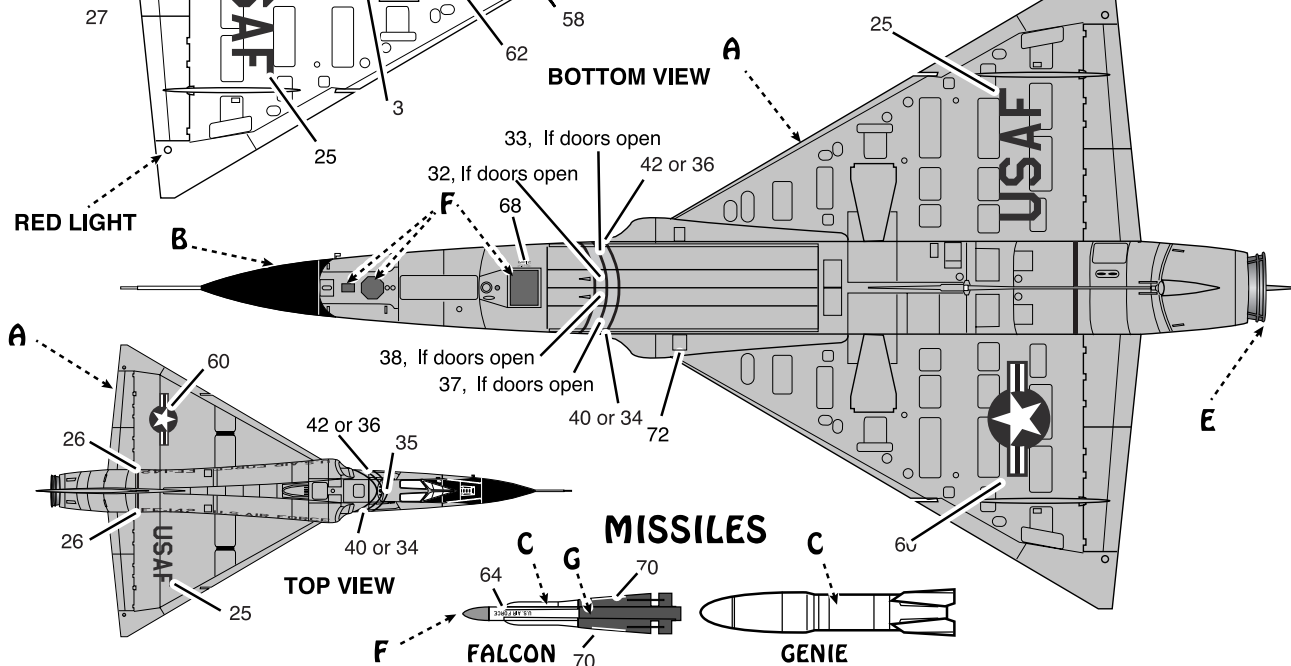
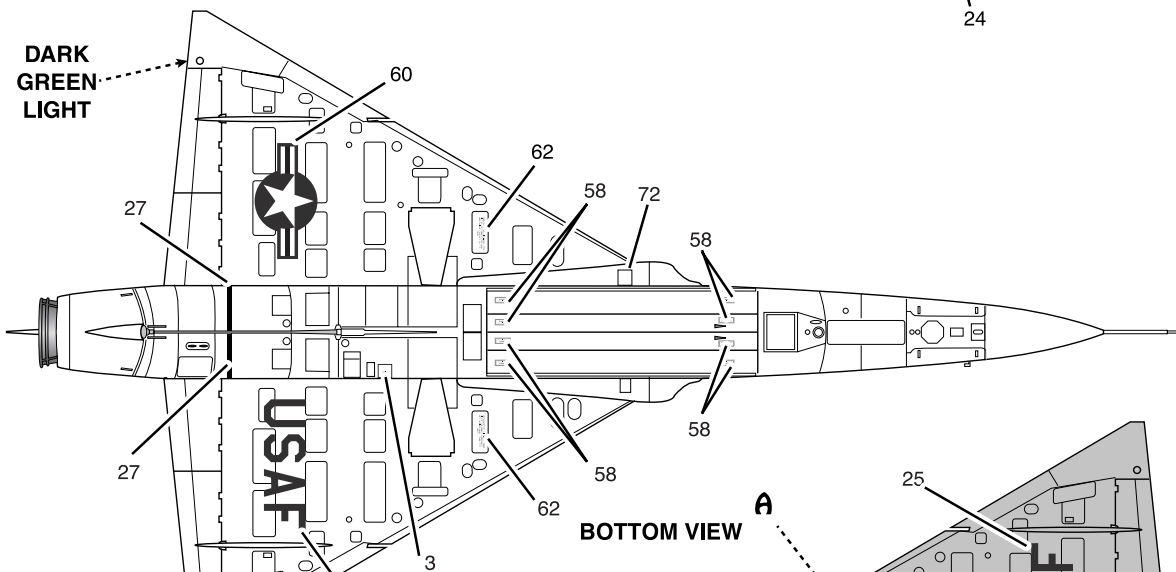
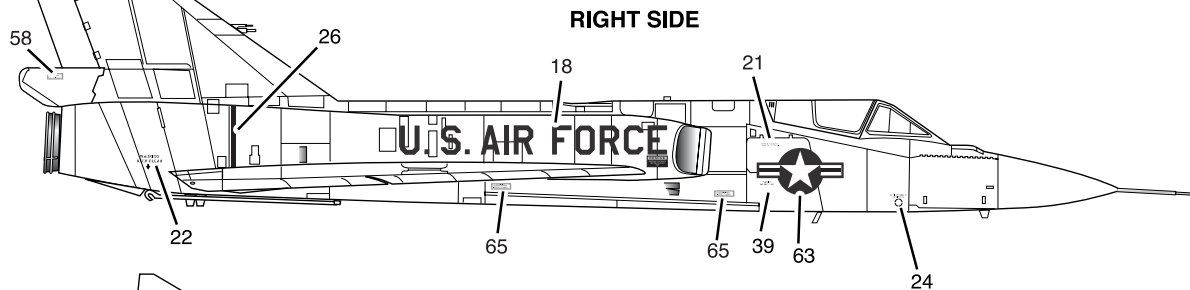
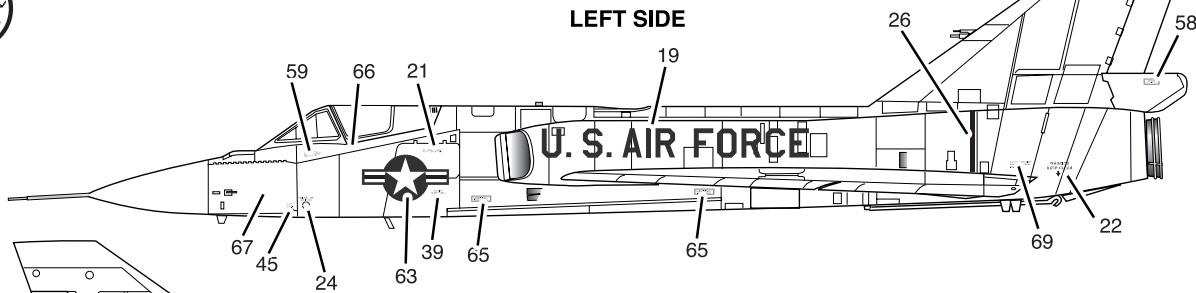
8

CANOPY ASSEMBLY



DECAL PLACEMENT

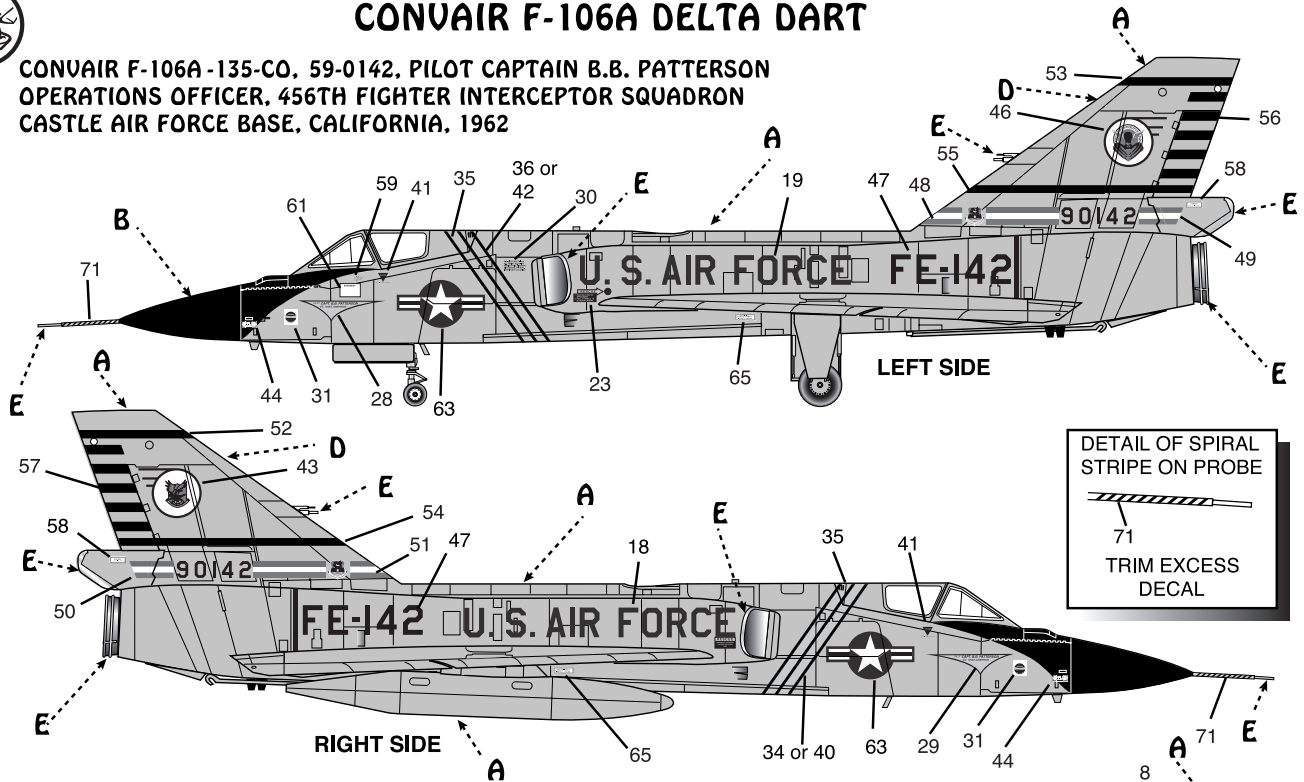
STENCILS AND COMMON MARKINGS



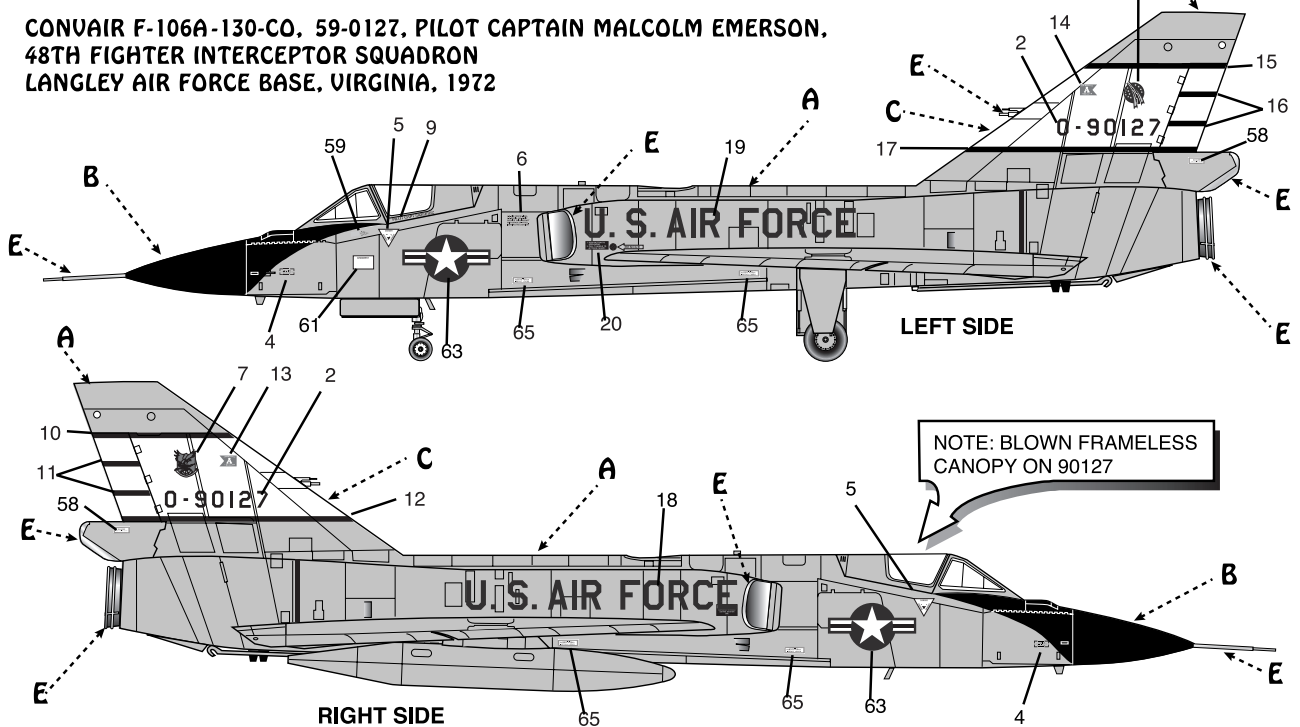


CONVAIR F-106A DELTA DART

CONVAIR F-106A-135-CO, 59-0142, PILOT CAPTAIN B.B. PATTERSON
OPERATIONS OFFICER, 456TH FIGHTER INTERCEPTOR SQUADRON
CASTLE AIR FORCE BASE, CALIFORNIA, 1962



CONVAIR F-106A-130-CO, 59-0127, PILOT CAPTAIN MALCOLM EMERSON,
48TH FIGHTER INTERCEPTOR SQUADRON
LANGLEY AIR FORCE BASE, VIRGINIA, 1972



PAINT COLORS											
A		AIRCRAFT GRAY FS 16473	C		GLOSS WHITE FS 17880	E		STEEL	G		GLOSS RED FS 11136
B		FLAT BLACK FS 37038	D		GLOSS YELLOW FS 14538	F		LIGHT OLIVE FS 14255			