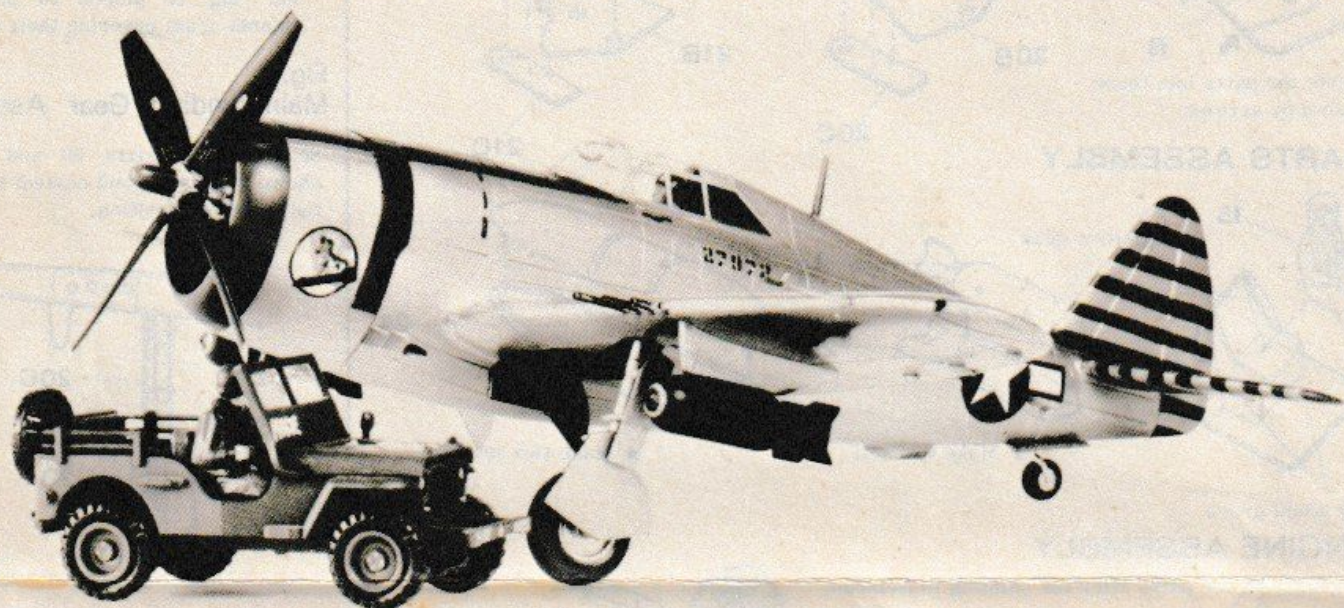


# REPUBLIC RAZOR THUNDERBOLT BACK P<sub>47D</sub>

1/72 SCALE SERIES



HASEGAWA



Completed Model (Jeep: Mini Box Series)

## HISTORY

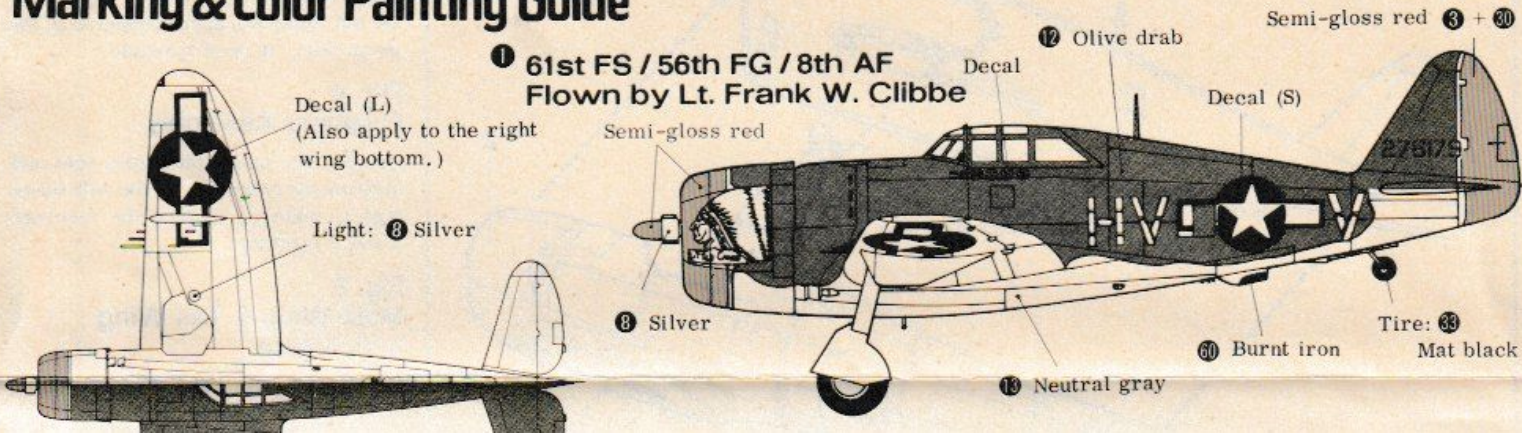
Of all the major American Air Force fighters of World War II, only the Republic Thunderbolt was powered by an air-cooled radial engine. The huge 2,000 hp. engine required an equally-large airframe, thus the P-47 was the largest and heaviest single-engine, single-seat fighter to become operational during the War. Despite its bulk, or perhaps because of it, the P-47 was one of the fastest fighters in the war and could outdive most anything in the sky. This fact was very upsetting to any enemy pilot who chose to leave a dog fight by diving to a lower level. An exhaust-driven turbo-supercharger permitted a service ceiling over 40,000 feet. The huge fuselage allowed enough internal fuel for a range of 835 miles. With external drop tanks a range sufficient to reach Berlin from England was achieved and Thunderbolts began escorting American heavy bombers right to the target and back.

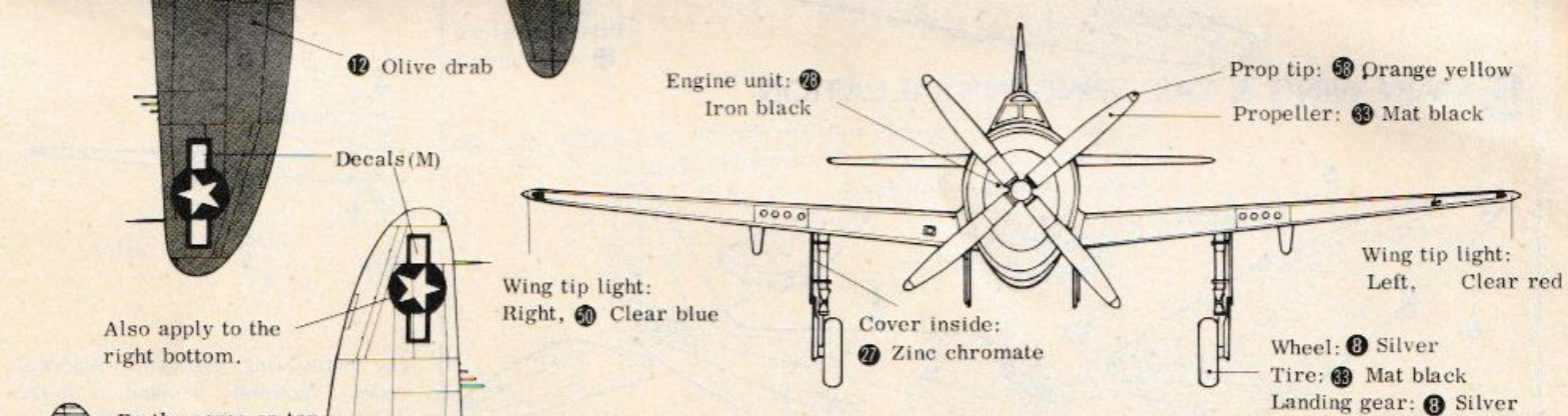
As a fighter the rugged Thunderbolt was capable of combat at all levels and several aces ran up high scores in the Razorback version. Notable among these were Neel Kearby, Francis Gabreski and "Bud" Mahurin. Bulky it was, but the P-47 "Juggernaut" (or just plain "Jug") could compete with best of the world's fighters in the World War II.

## MAIN DATA

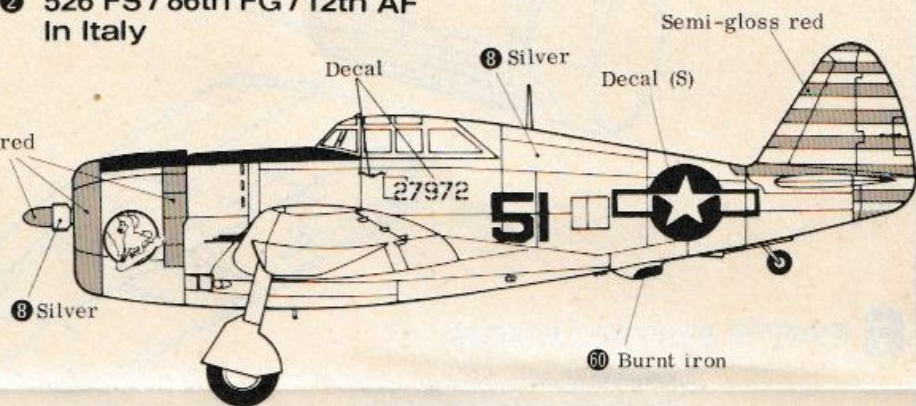
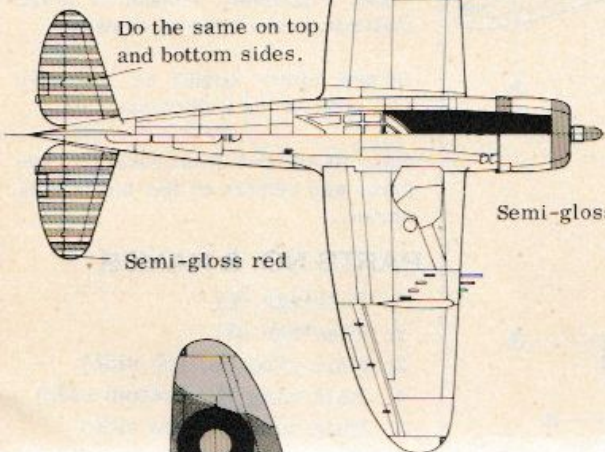
Crew: 1 / Engine: One Pratt & Whitney R-2800-59, Eighteen-cylinder aircooled radial engine, 2,300 hp. / Overall width: 12.42m / Overall length: 11.00 m / Wing area: 27.87 m<sup>2</sup> / Max. speed: 697 km/h / Climbing: 6,100 m/9 min. / Ceiling: 12,200 m / Range: 1,658 km / Armament: Eight 12.7 mm machine guns / Bombs: 910 kg (Max.)

## Marking & Color Painting Guide

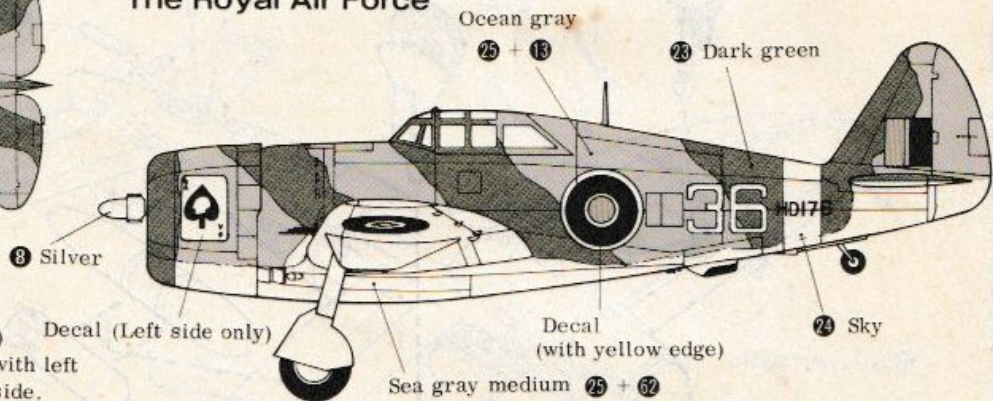
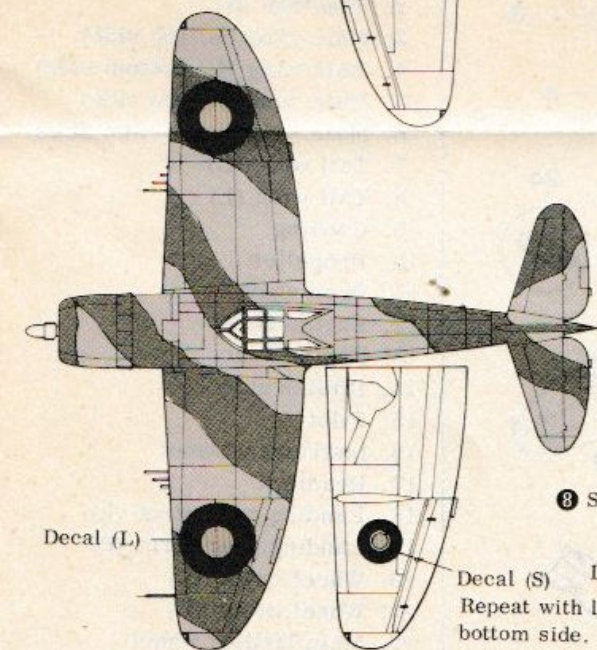




## 2 526 FS / 86th FG / 12th AF In Italy



## 3 Thunderbolt MK 1 The Royal Air Force



### PAINTING

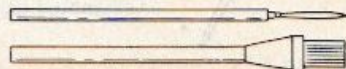
When painting the overall surface silver, paint the nose red, tail wing red (stripe), nose top side olive drab, and then mask them. Paint the overall surface silver. Other than this, paint the under surface and then do the upper one. Paint the pilot seat around zinc chromate and khaki green. On the engine unit, first paint in iron black, then paint in silver as accent.

### HOW TO APPLY DECALS

1. Cut out the decals and remove the film covering.
2. Place in water for 20 seconds.
3. Slide off the decals from the paper and position it at the proper place.
4. Press the transferred decals with a soft cloth and remove the moisture.

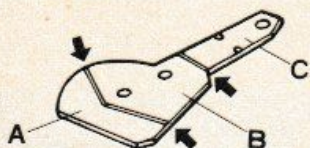
### MODEL COLOR

To beautify your model, paint each parts. The model colors are numbered from 1 - 62. Use wide brush to paint the wide area and the pointed one for tiny parts.

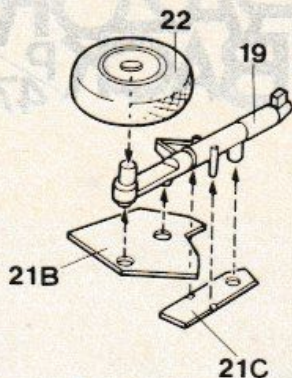
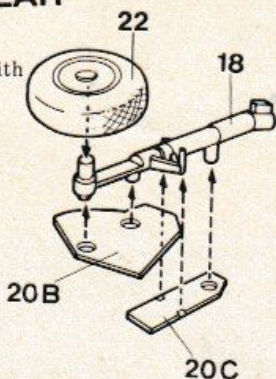


# 1 MAIN LANDING GEAR ASSEMBLY

★ When assembling, be careful with right and left.



Separate the parts into three as shown by arrows.

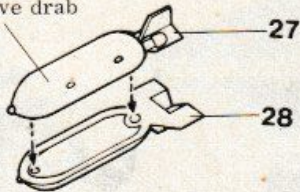


# 2 PARTS ASSEMBLY

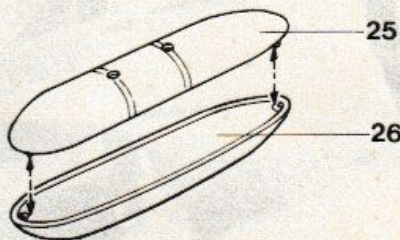


④ Khaki green

⑫ Olive drab



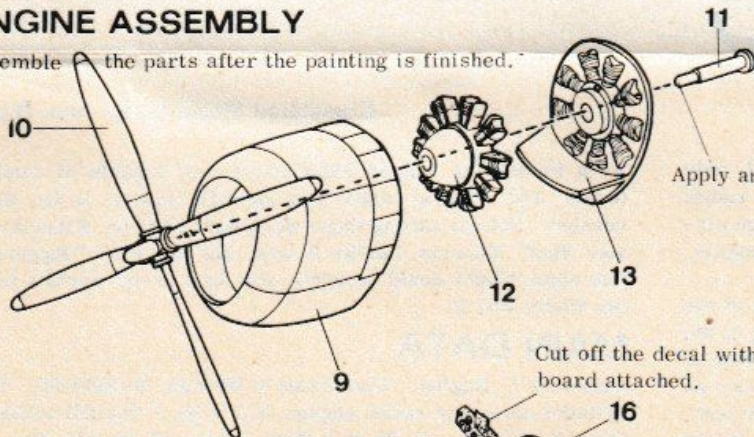
★ Make two sets.



★ Make two sets.

# 3 ENGINE ASSEMBLY

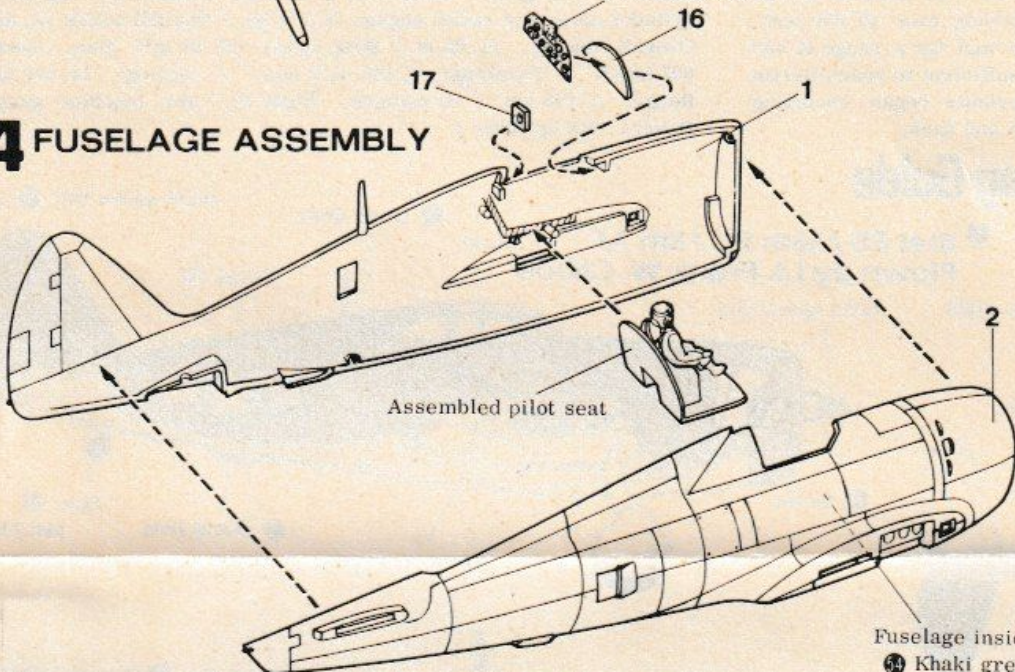
Assemble the parts after the painting is finished.



Apply an adhesive here.

Cut off the decal with card board attached.

# 4 FUSELAGE ASSEMBLY



Assembled pilot seat

Fuselage inside:

④ Khaki green

# BEFORE ASSEMBLING

- First read all the instructions and follow them when working on the model.
- Cut off the parts from the stem with a nipper or a cutter.

\*After the parts are taken out, cut the bag in pieces to prevent infants from covering their head.

Fig. 1 Main Landing Gear Assembly

Separate the parts 20 and 21 as shown by arrows and cement them to the indicated position.

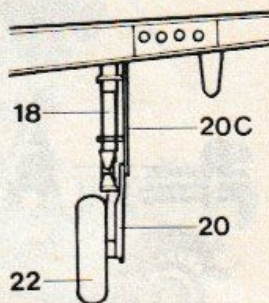


Fig. 2 Pilot Painting



Fig. 3 Engine Assembly

Do not apply too much adhesive to the propeller. It is of movable.

Fig. 4 Fuselage Assembly

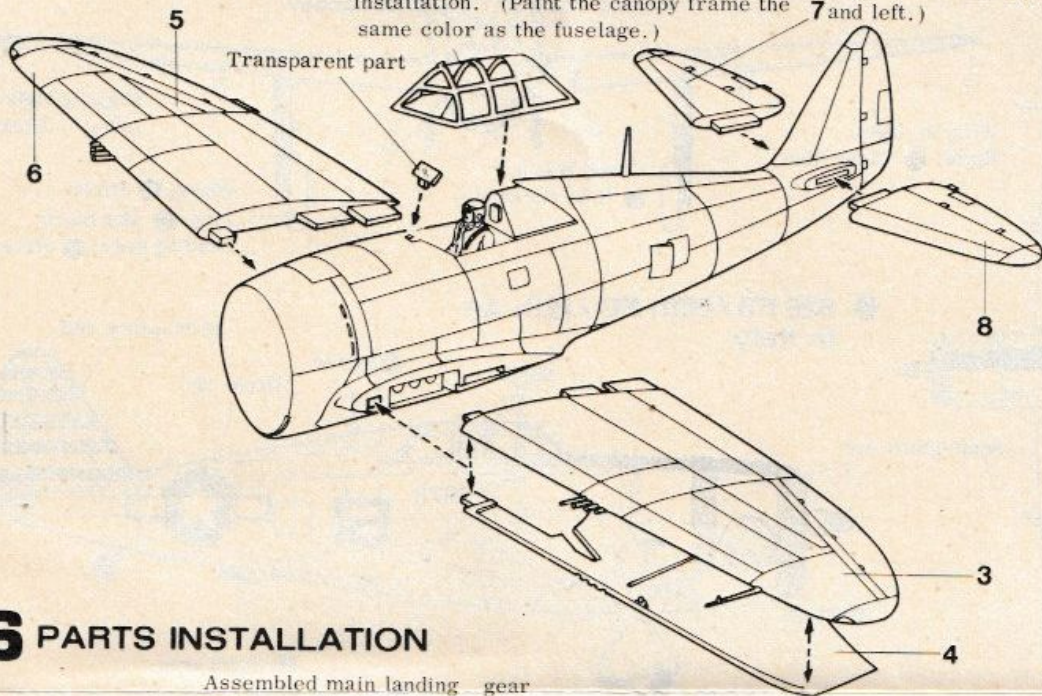
Cement the assembled pilot seat and instrument panel 16 to the left fuselage 1, and then cement the fuselage 1 and 2 together.

Fig. 5 Main Wing & Tail Wing Installation

Be careful with right and left on the tail wing 7, 8.

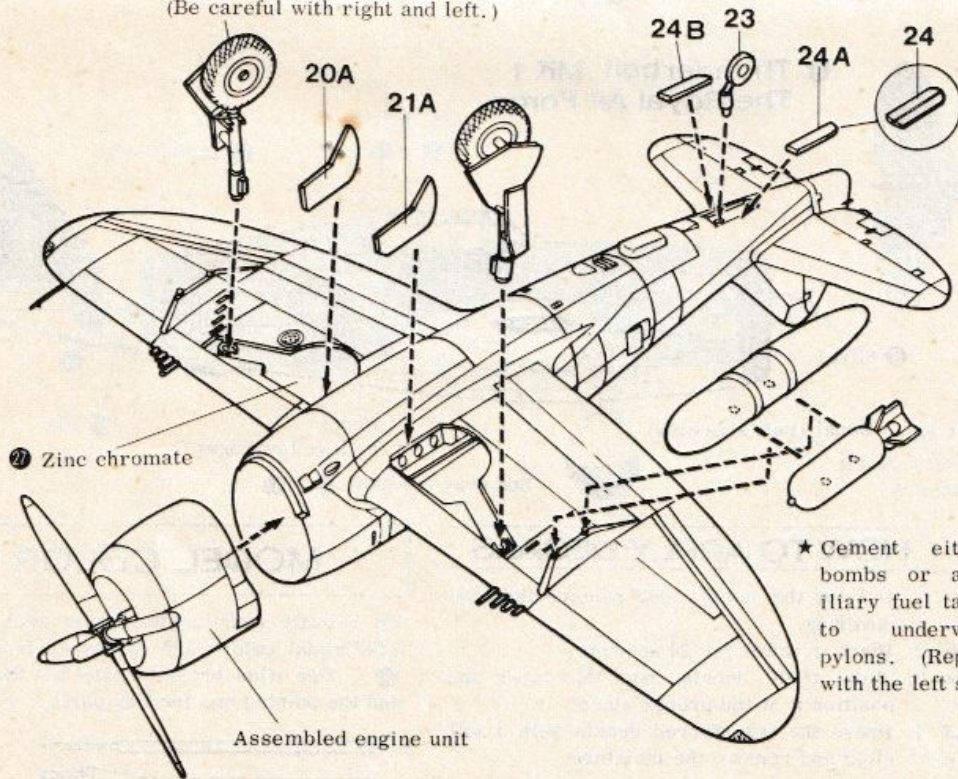
## 5 MAIN WING & TAIL WING INSTALLATION

Canopy: Refer to the side view for canopy installation. (Paint the canopy frame the same color as the fuselage.) (Be careful with right and left.)

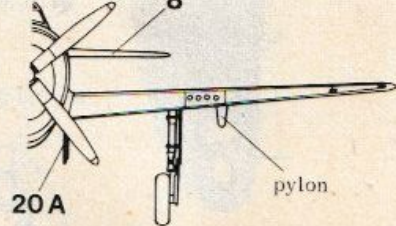


## 6 PARTS INSTALLATION

Assembled main landing gear  
(Be careful with right and left.)



★ Cement either bombs or auxiliary fuel tanks to underwing pylons. (Repeat with the left side)



The main wing possesses dihedral angle. Carefully cement it to the fuselage as shown above drawing.

Cement either bombs or auxiliary fuel tanks to the underwing pylon.

Separate the tail wheel cover into two parts and cement to the fuselage as shown.

### PARTS NO. & NAMES

1. Fuselage (L)
2. Fuselage (R)
3. Main wing (L. top side)
4. Main wing (L. bottom side)
5. Main wing (R. top side)
6. Main wing (R. bottom side)
7. Tail wing (R)
8. Tail wing (L)
9. Cowling
10. Propeller
11. Prop shaft
12. Engine front
13. Engine rear
14. Pilot seat
15. Pilot
16. Instrument panel
17. Headrest
18. Landing gear strut (L)
19. Landing gear strut (R)
20. Wheel cover (L)
21. Wheel cover (R)
22. Main landing wheel
23. Tail wheel
24. Tail wheel cover
25. Auxiliary fuel tank, top
26. Auxiliary fuel tank, bottom
- 27, 28 Bombs
29. Canopy parts  
(Transparent parts)  
Bullet-proof glass  
Canopy