



ASSEMBLY INSTRUCTIONS
for

Kit No. OT2-26

1/48 Scale **FOCKE WULF FW190A-8**

BY Ohtaki Model Toy Mfg. Co.,
No. 3-8, Senju, Midoricho, Adachi-ku
Tokyo, Japan.

Overall span10.5 m
Overall length.....8.95 m
Overall height.....3.95 m

A-Parts

B-Parts

C-Parts

PARTS LIST;

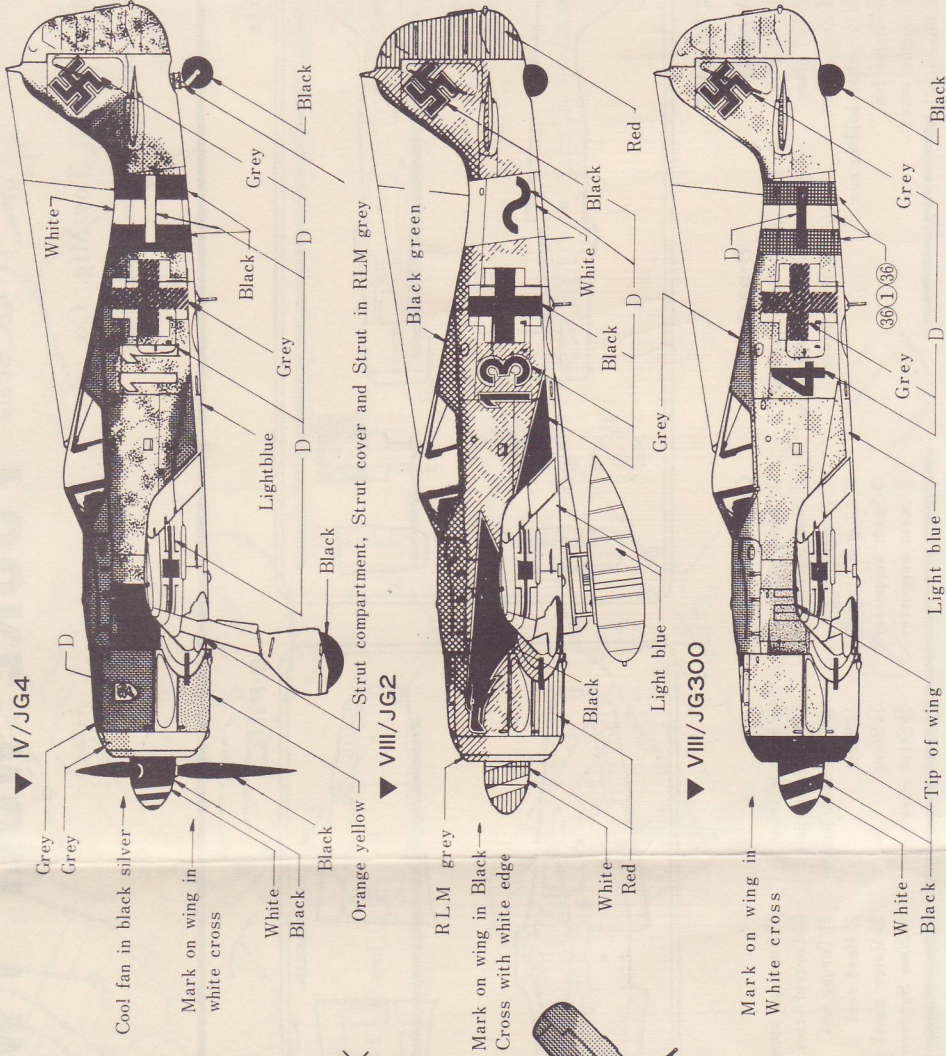
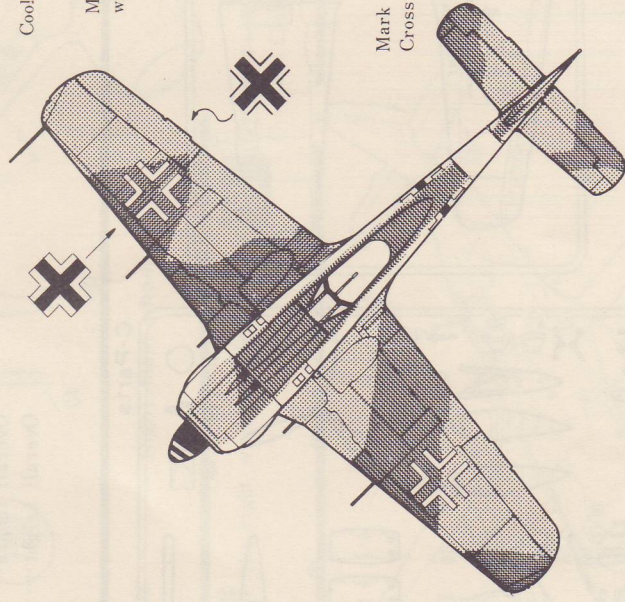
A-parts	B-parts	C-parts	D-parts
① Tail plane	① Left wing (upper)	① 20mm machine gun	① Wind breaker (front)
② Tail plane	② Right wing (upper)	② 20mm machine gun	② Wind breaker (rear)
③ Engine part	③ Wing (lower)	③ Foothold	
④ Propellor holding cap		④ Antenna	
⑤ Engine fan		⑤ Strut supporter	
⑥ Engine cover		⑥ Strut supporter	
⑦ Fuselage (left)		⑦ Antenna	
⑧ Fuselage (right)		⑧ Pitot tube	
⑨ Ground crew stand		⑨ Wheel	
		⑩ Rear wheel	
		⑪ Head rest pole	
		⑫ Drop tank holder	
		⑬ Strut	
		⑭ Strut	
		⑮ Strut cover	
		⑯ Strut cover	
		⑰ Drop tank	
		⑱ Drop tank	
		⑲ Fuselage upper part	
		⑳ Control stick	
		㉑ Torque link	
		㉒ Head rest	
		㉓ Meter panel	
		㉔ 20mm Synchronized machine gun	
		㉕ 20mm machine gun pot	
		㉖ Propellor	
		㉗ Cockpit	
		㉘	
		㉙ Fuselage lower valve	
		㉚ Seat	
		㉛ loop antenna	
		㉜ Spinner	

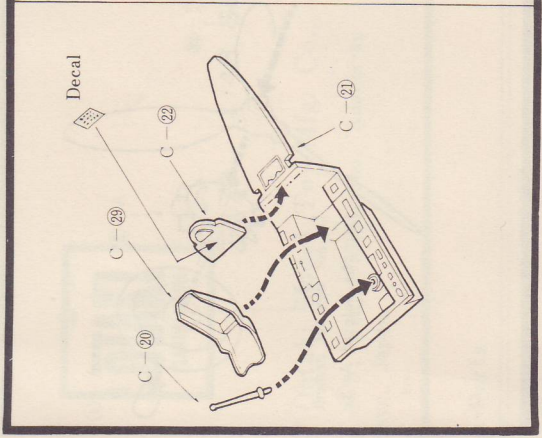
D-Parts

Painting hint and how to apply decal

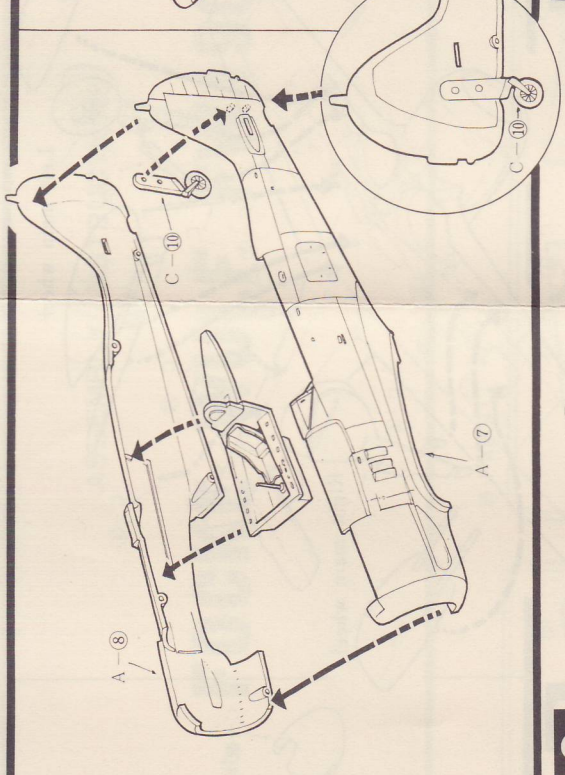
Decal with black edge for reverse

D stands for Decal

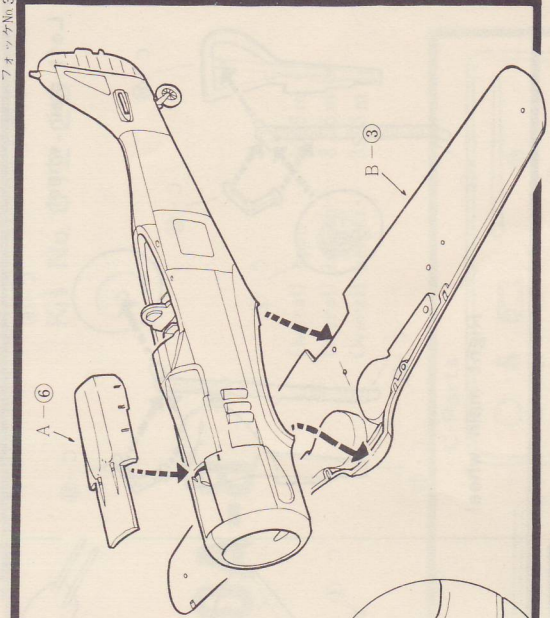




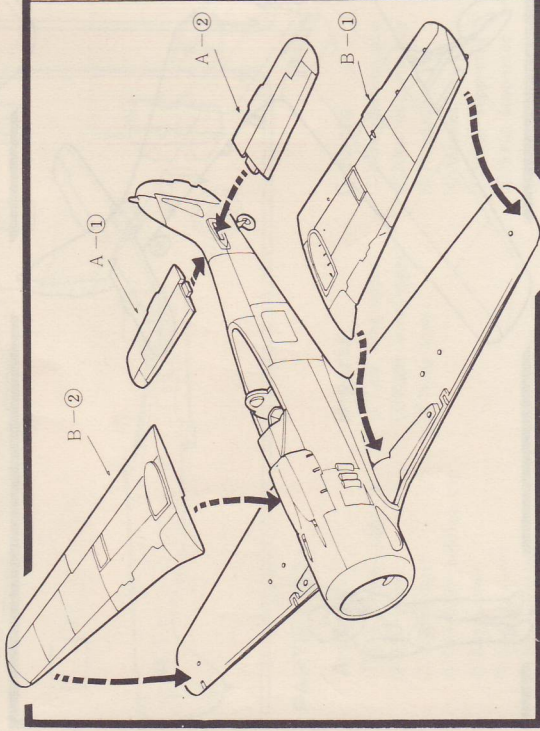
1 Assemble the seat



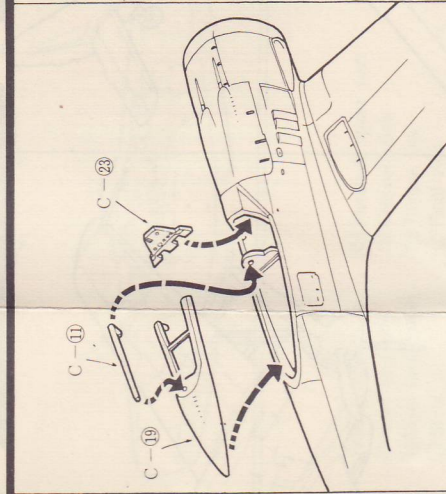
2 Cement seat and part C-10 inside of fuselage, then cement part A-7 and A-8



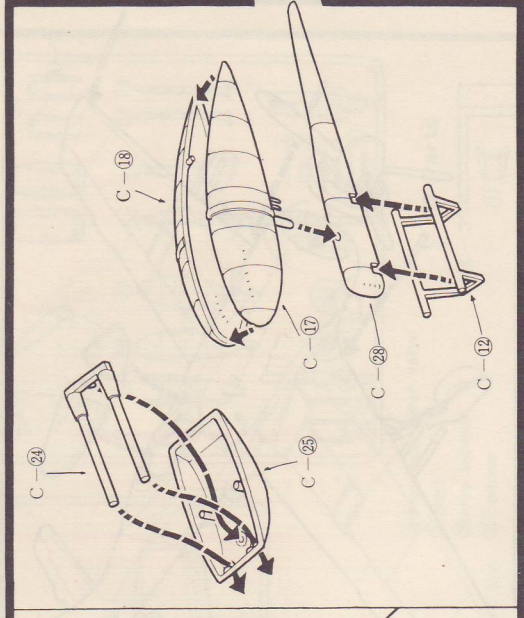
3 Cement the assembled portions in right position



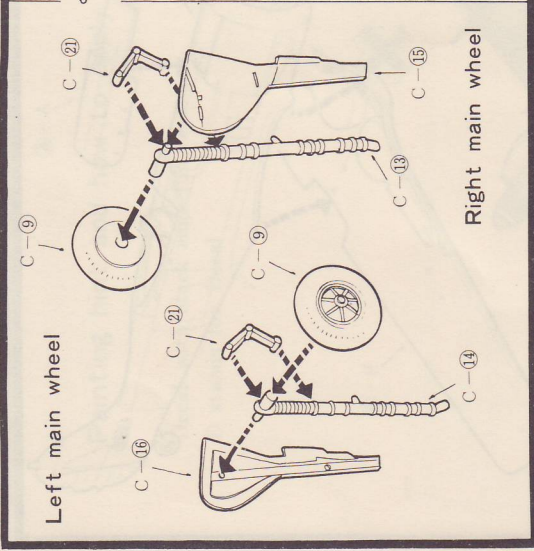
4 Cement the assembled portions in right position



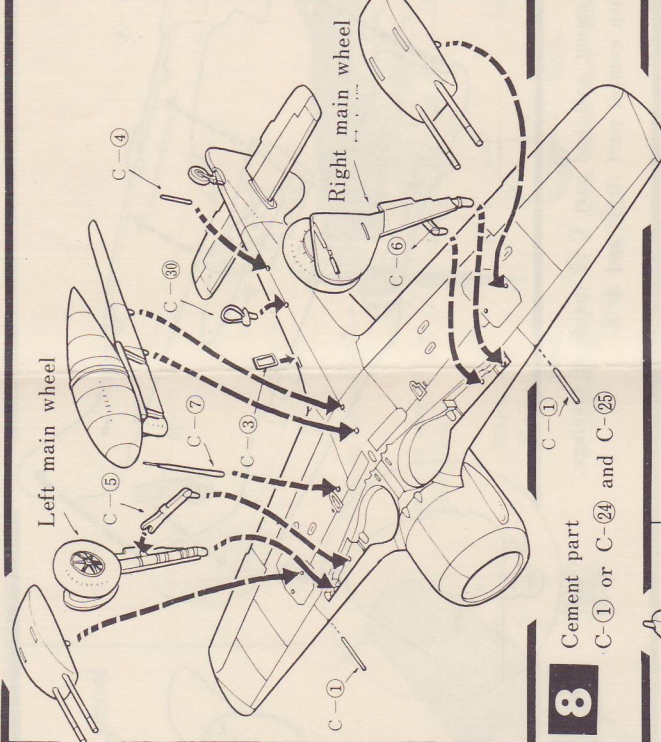
5



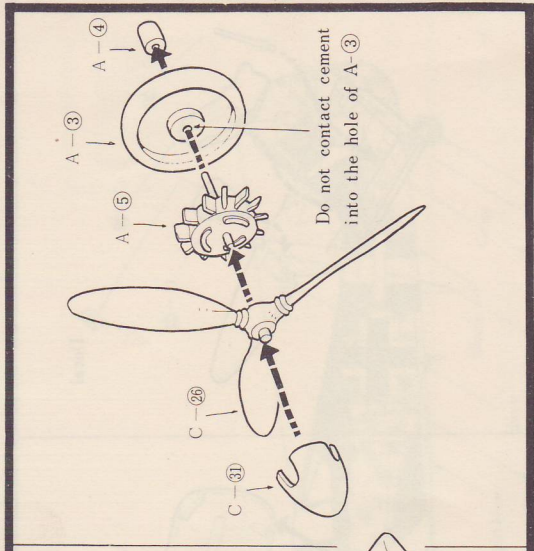
6 Cement your favorite one, part C-1 or part C-24 and C-25



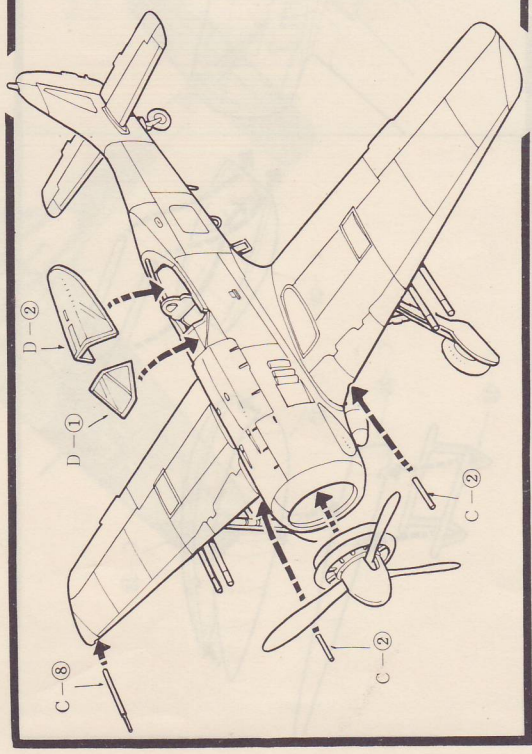
7 Assemble the right wheel and left wheel



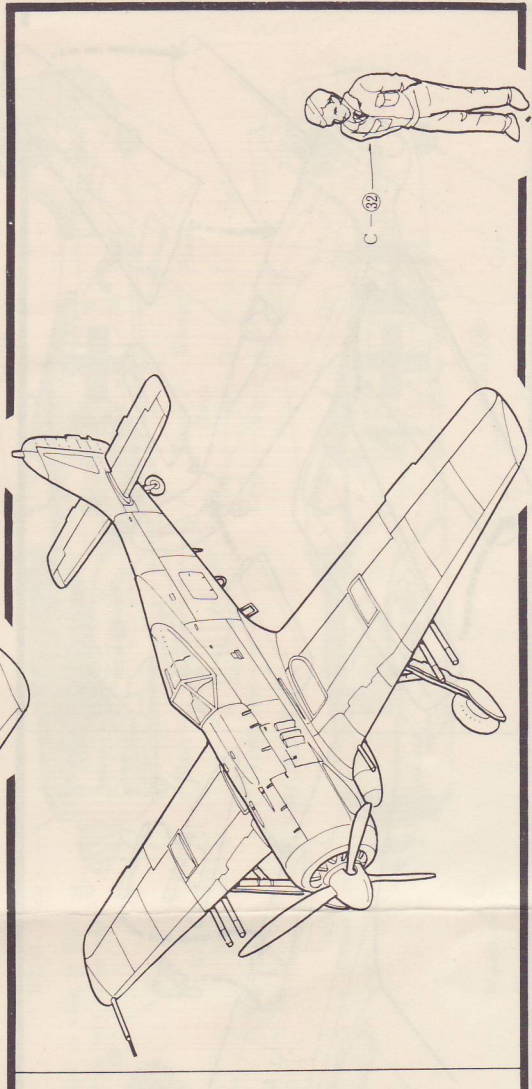
8 Cement part
C-1 or C-24 and C-25



9



10



11 Decal

