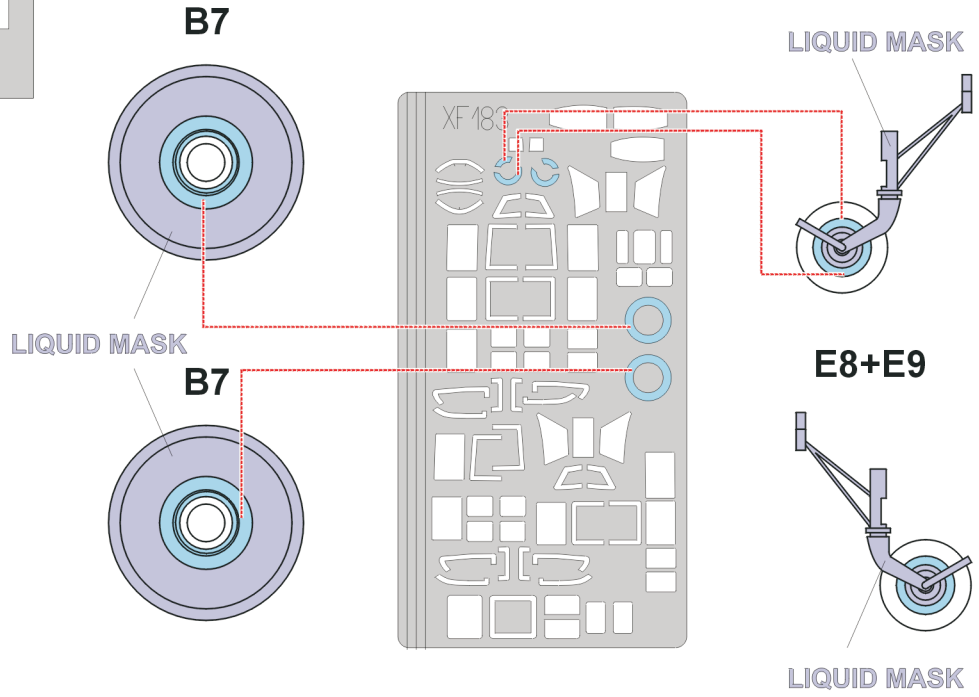
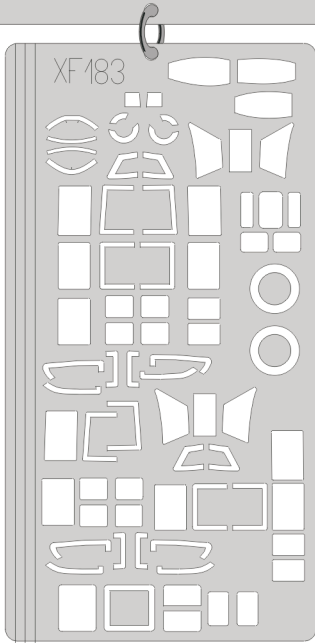


**eduard**  
**Express Mask**

# JINI Gekko Type 11 (early)

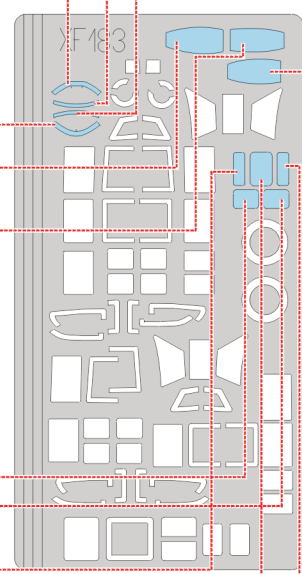
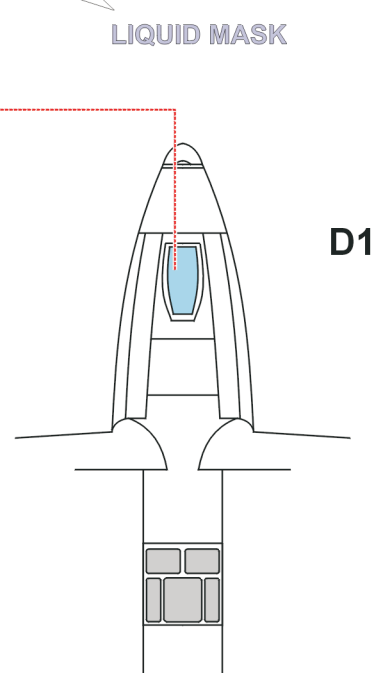
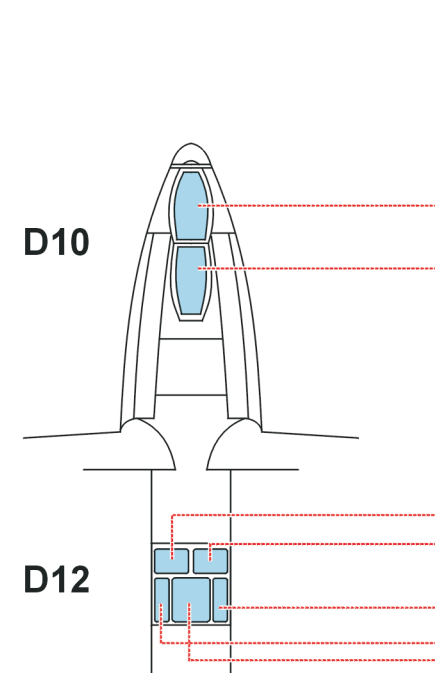
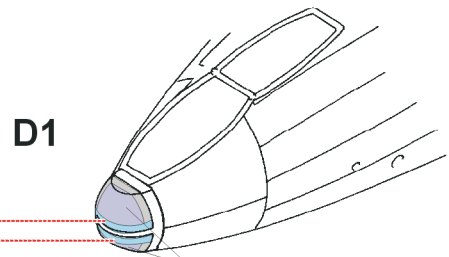
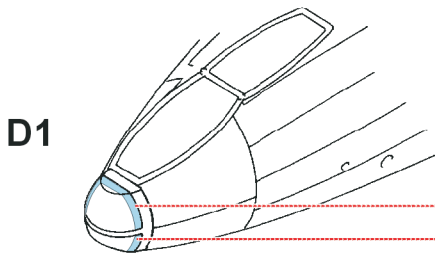
The die-cut mask for accurate canopy frame painting of the  
*Tamiya 1/48 KIT*

## XF 183

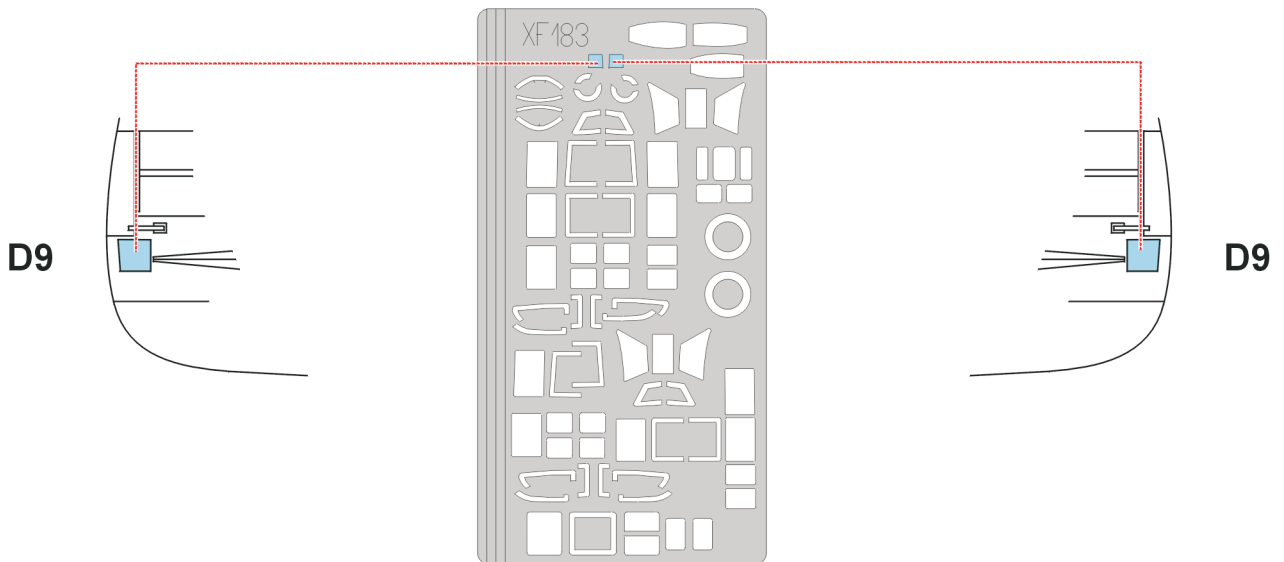
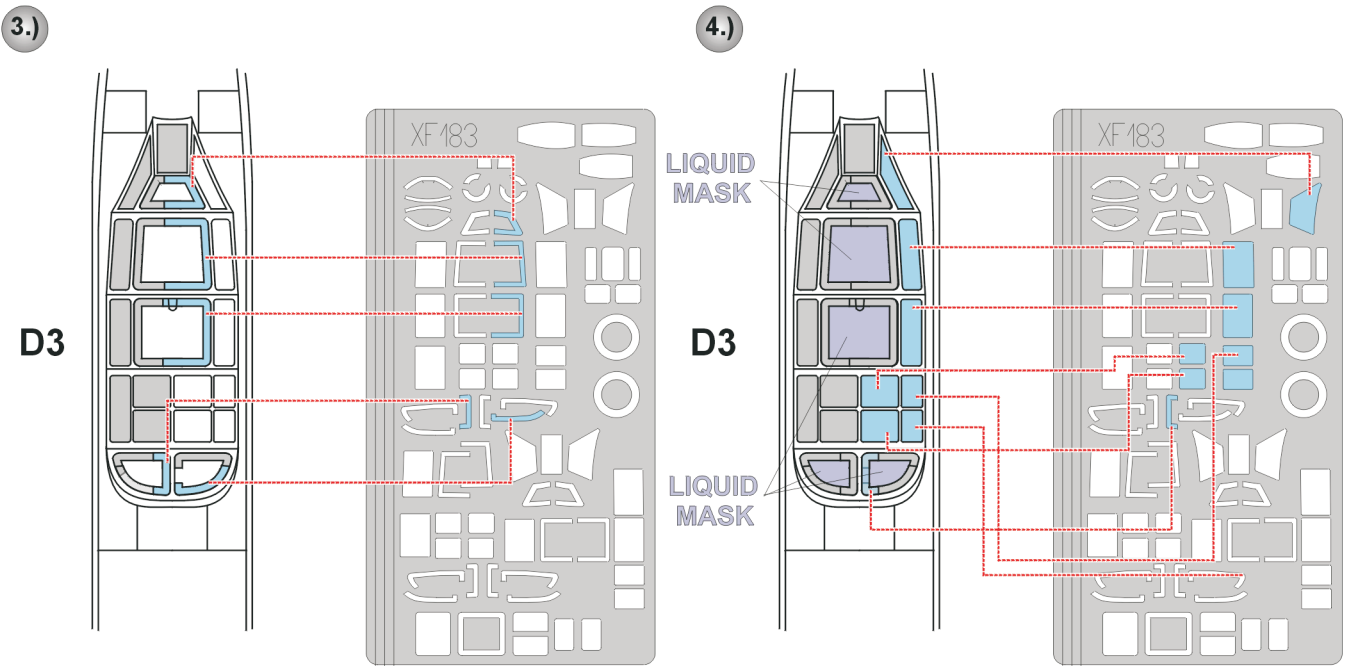
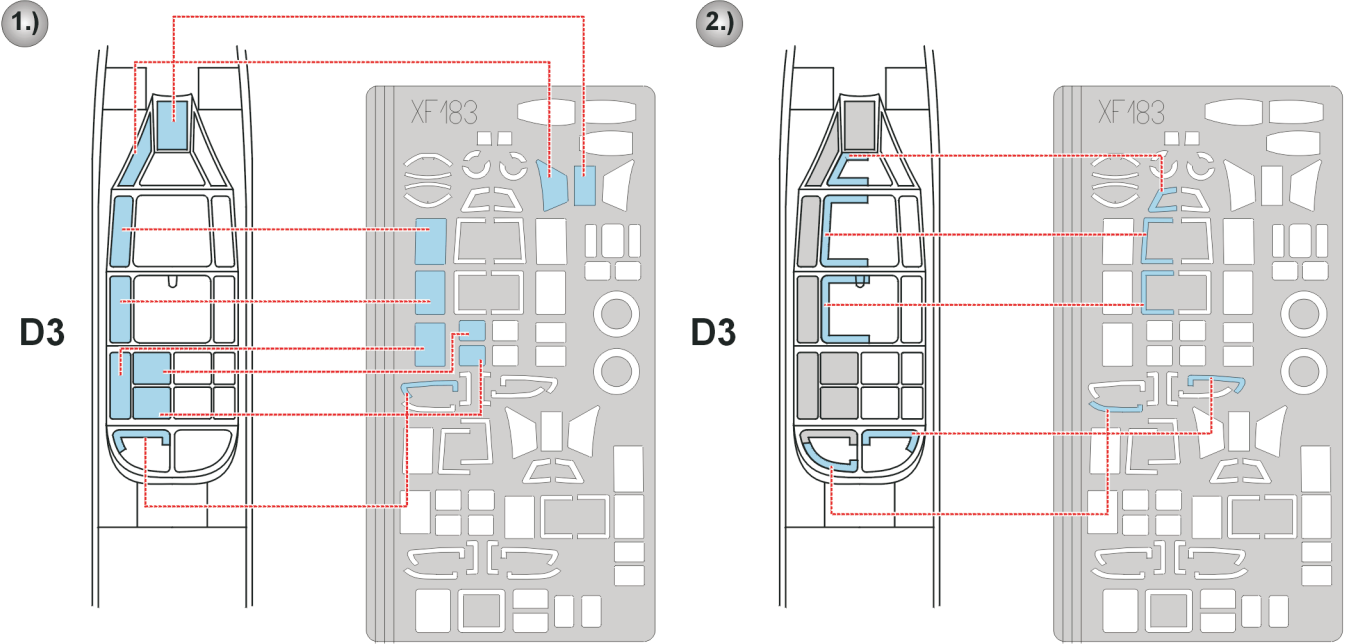


1.)

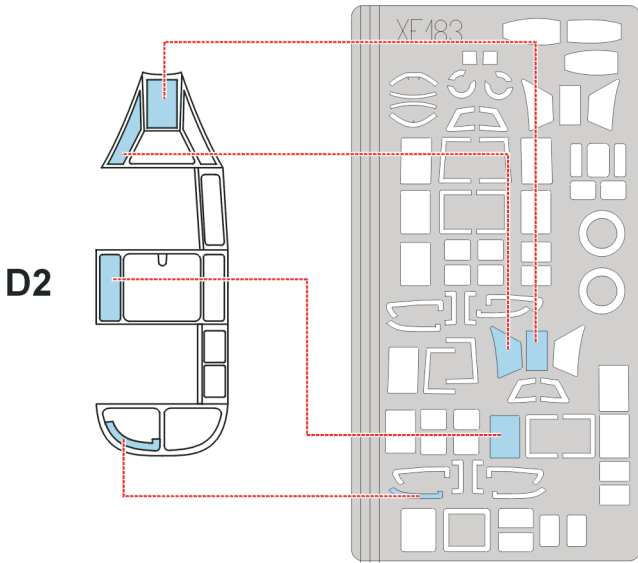
2.)



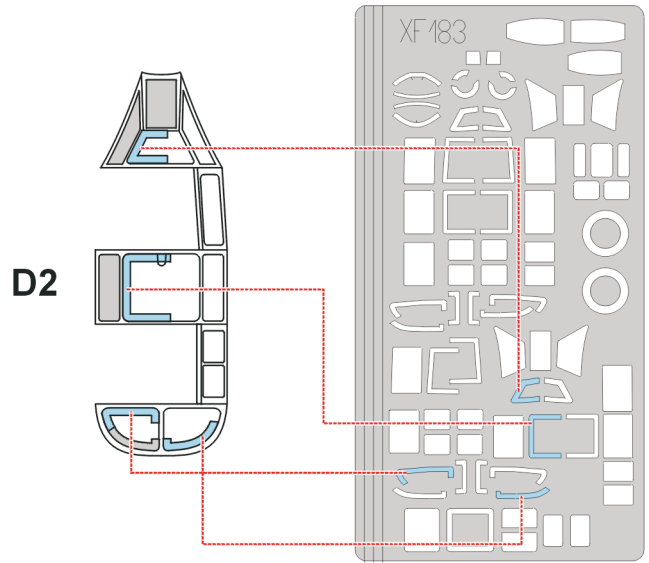
**LIQUID MASK**



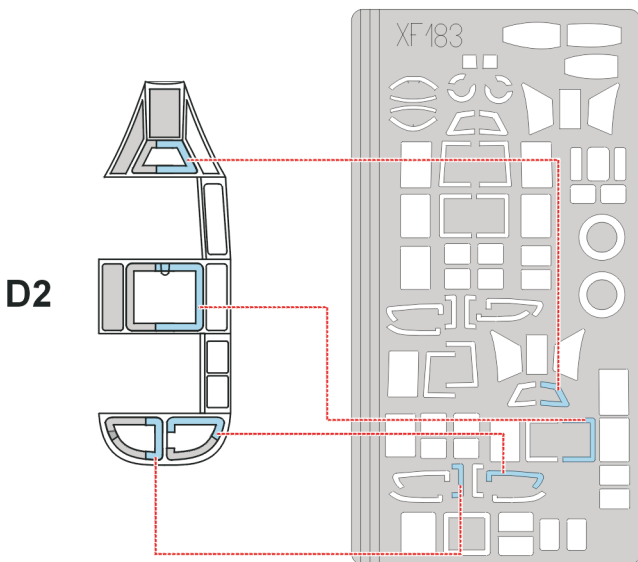
1.)



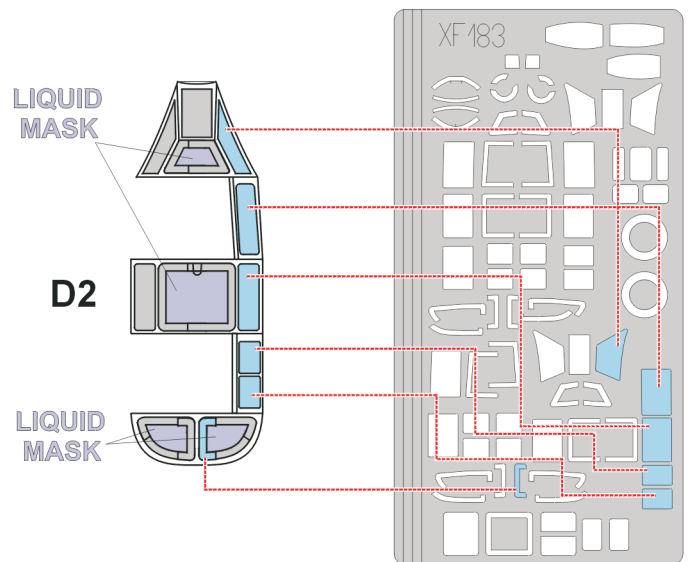
2.)



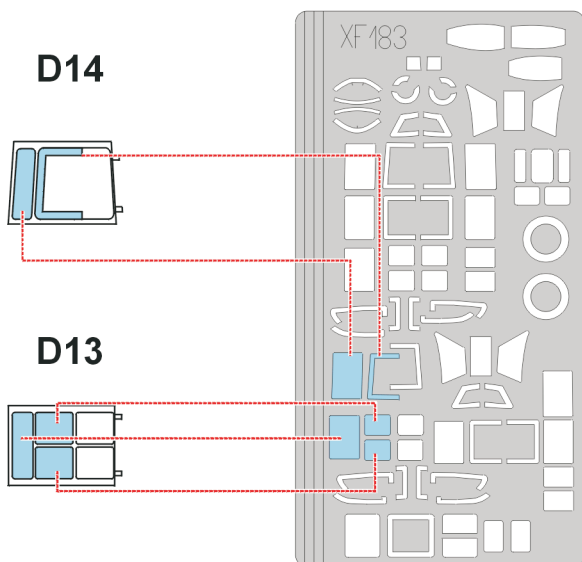
3.)



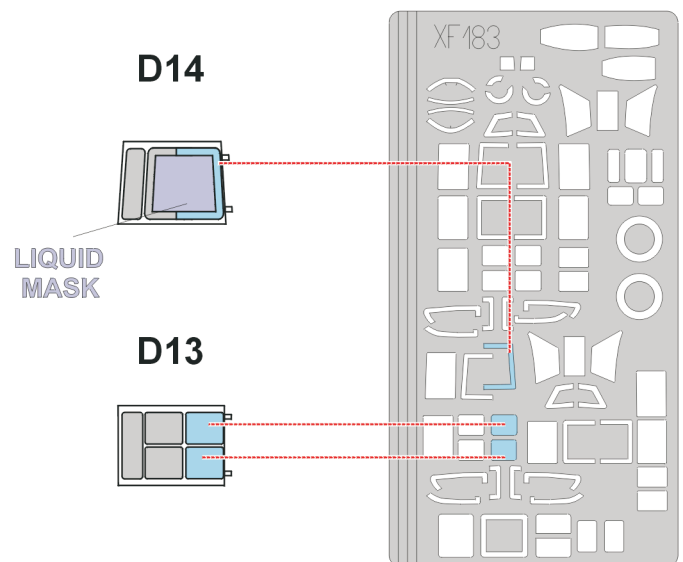
4.)

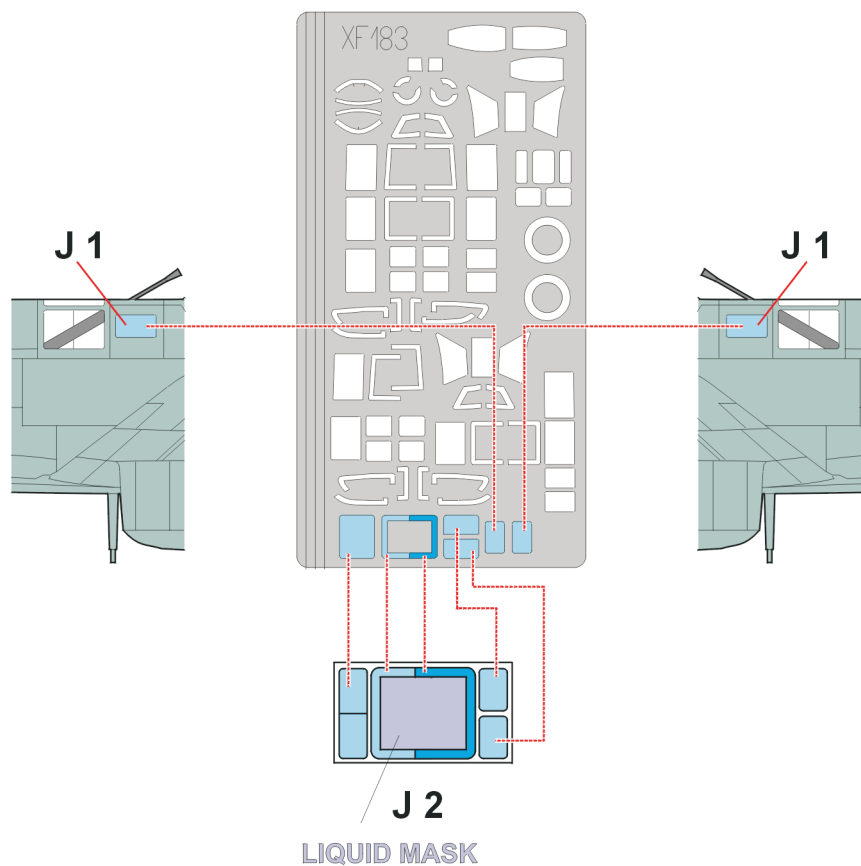


1.)



2.)





***Look for Express Mask XF 112 (canopy) and XF 557 (Hinomaru), XF 558 (Markings) for 1/48 J1N1 Gekko (not included in this set)***