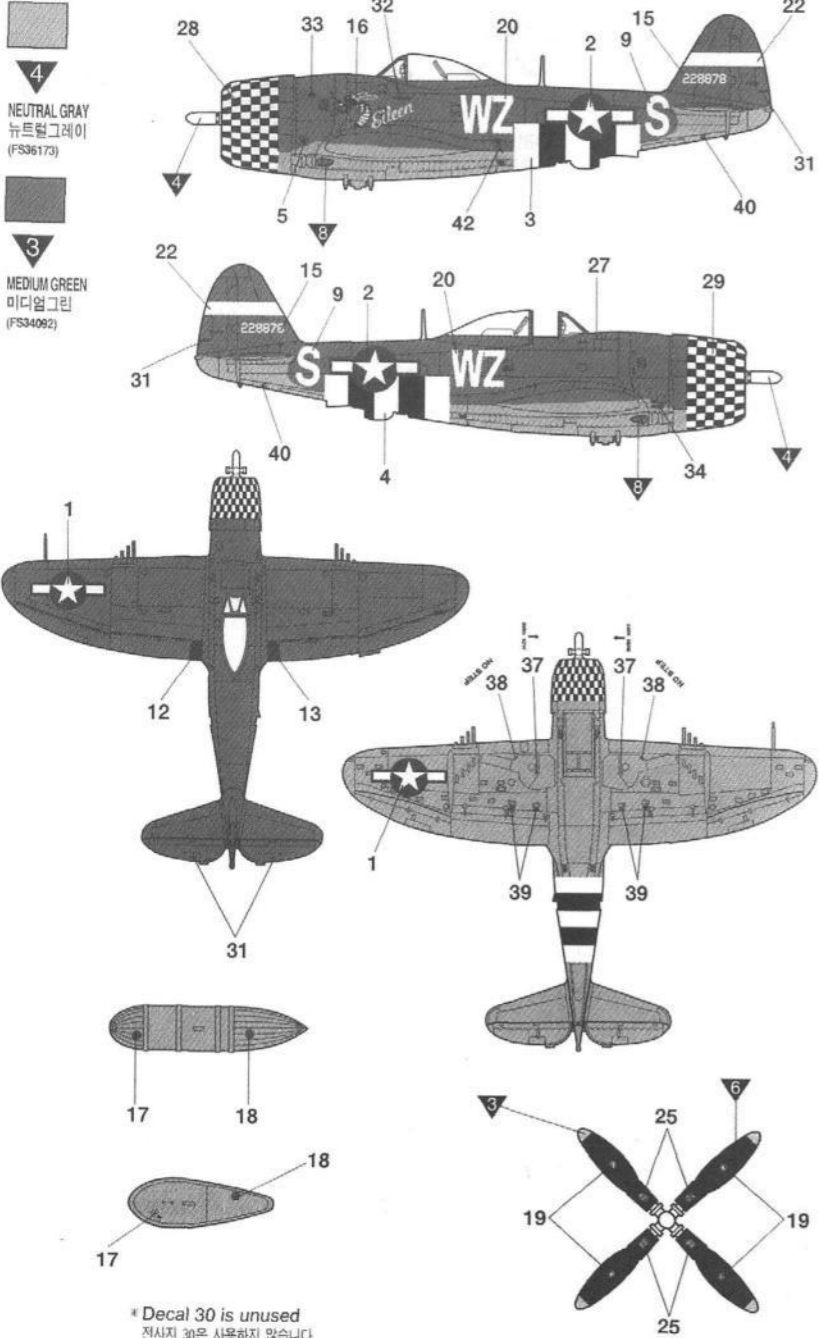
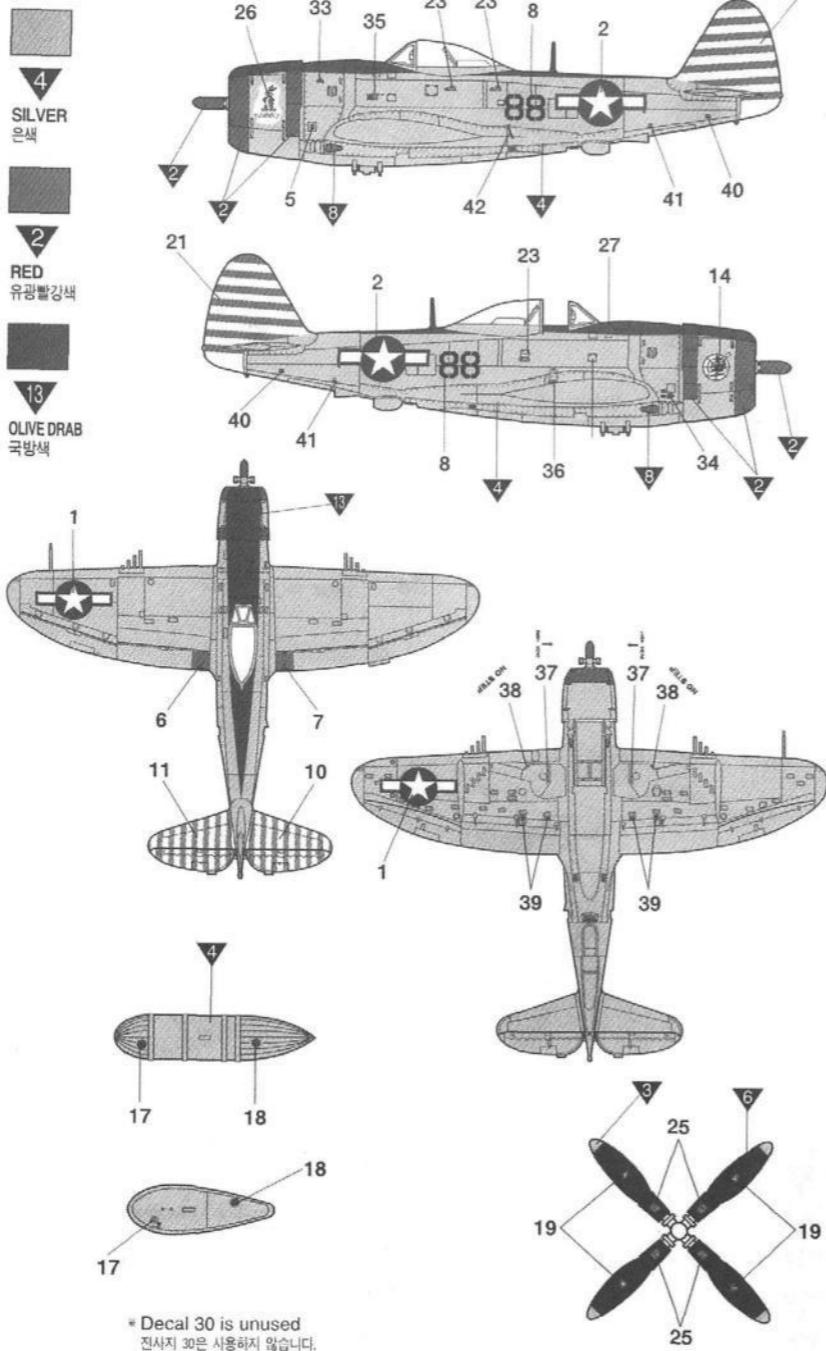


■ Painting & Decal placement 색칠 및 전사지 붙이기

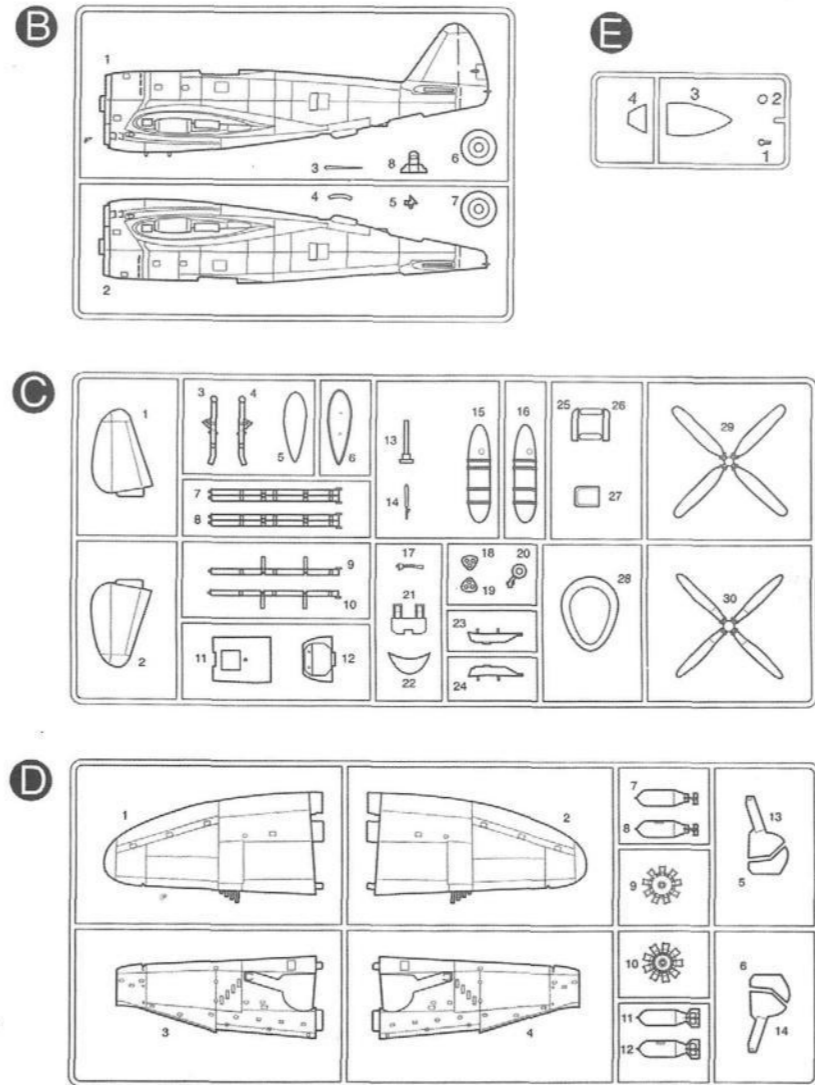
**1** 84th Fighter Squadron, 78th Fighter Group, England, Autumn 1944.  
미국군항공대 제78전투항공군 제84전투비행대 소속기 (1944년 가을, 영국)



**2** 527th Fighter Squadron, 86th Fighter Group, Pisa, Italy, 1944.  
미국군항공대 제86전투비행대 소속기 (1944년, 이탈리아 피사)

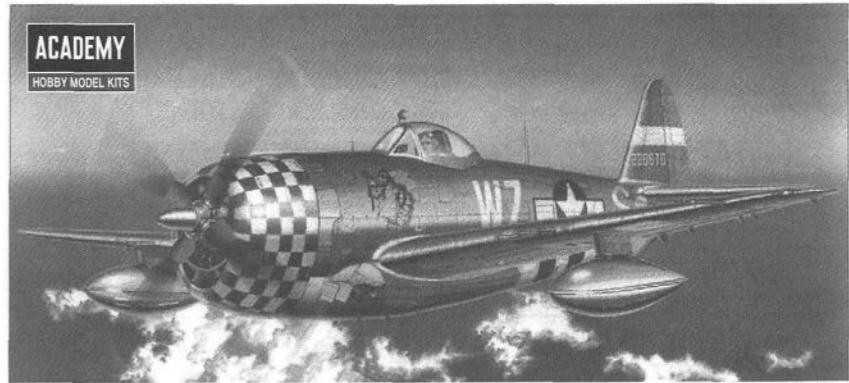


■ Parts Locating Diagram 부품도



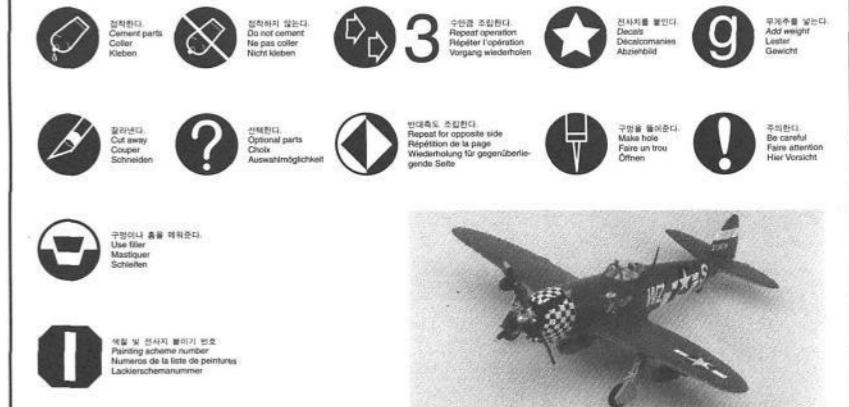
■ Unused parts  
Nicht verwenden  
Pièces non utilisées  
不要部品  
불필요 부품

ACADEMY HOBBY MODEL KITS  
ACADEMY PLASTIC MODEL CO., LTD.  
고객상담전화: 031-850-8555



You can download the latest version of an instruction manual for this model by visiting [www.academyhobby.com](http://www.academyhobby.com), clicking the link for 'INSTRUCTION & DOWNLOAD' and entering the item number.  
본 제품의 조립 중 궁금한 점은 [www.academy.co.kr](http://www.academy.co.kr) 접속 후 메뉴 '자료실' -> '프리모델' 로 이동하여 해당 제품명을 입력하면 최신의 설명서를 확인 하실 수 있습니다.

1/72nd P-47D "Eileen" 12474



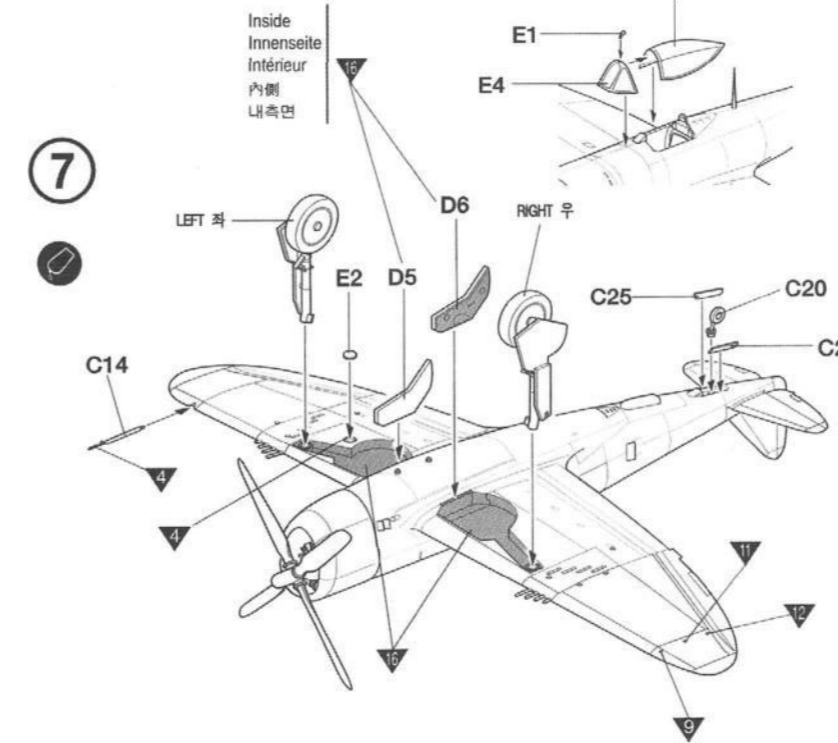
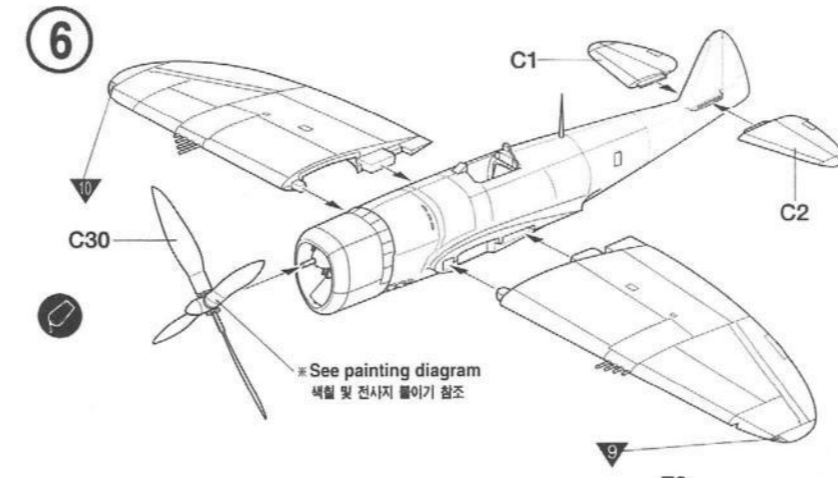
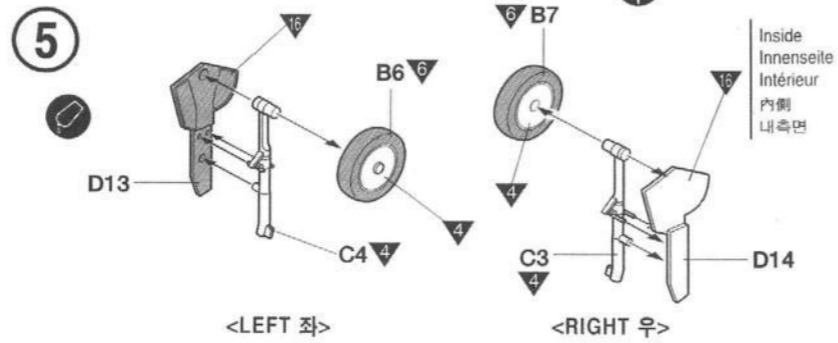
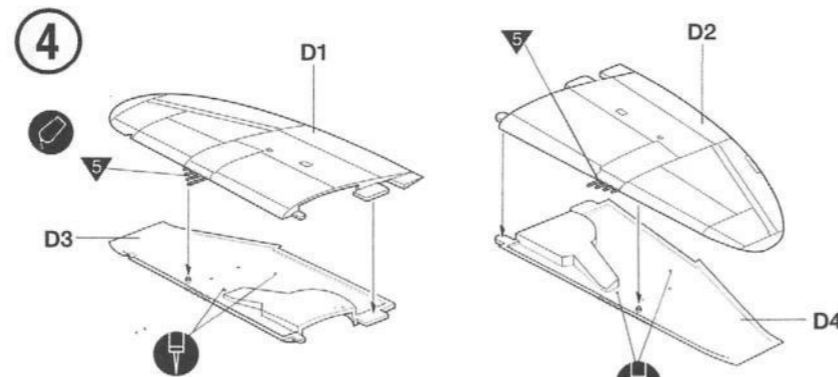
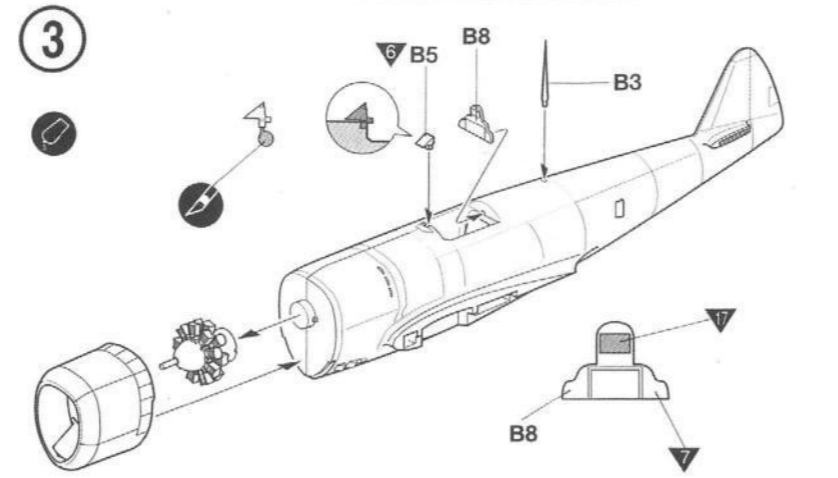
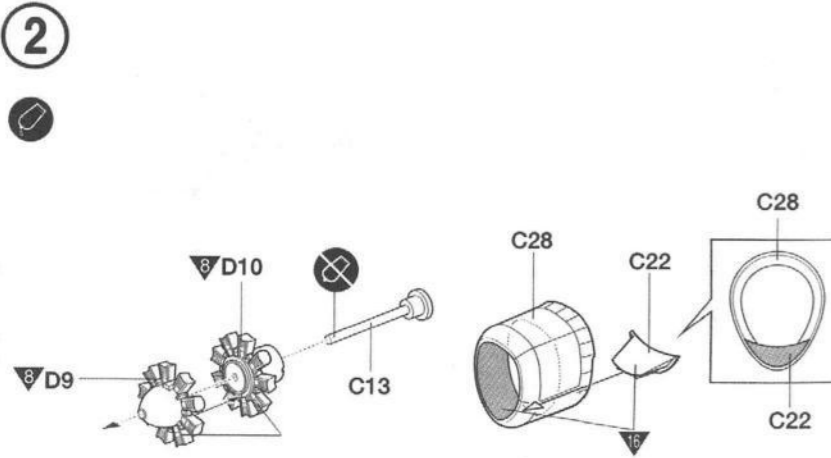
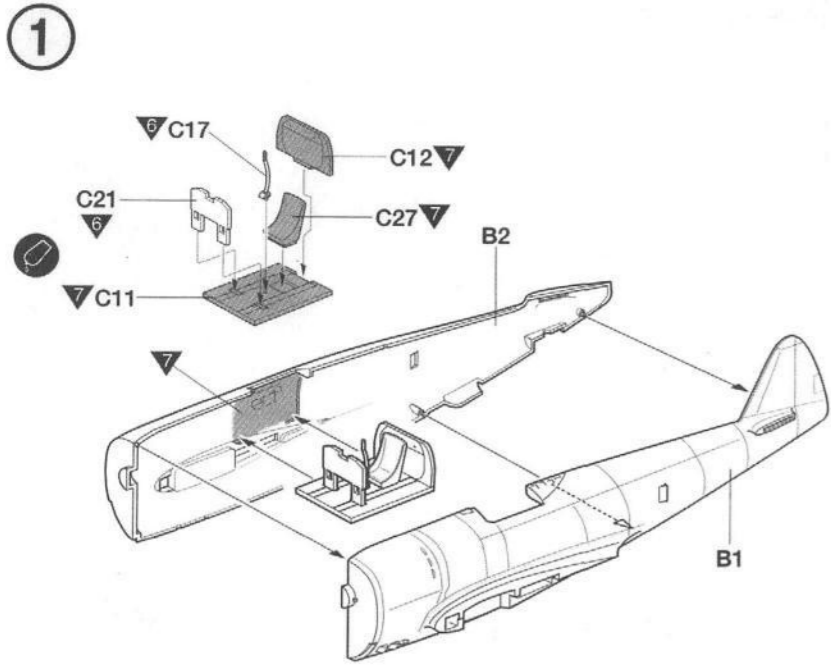
**<READ THIS BEFORE YOU BEGIN>**  
-Read the instructions before assembly. -Check the fit of each piece before cementing into place.  
-Do not use too much cement to join parts. -Never use cement or paint near open flame.  
-Clean a scratch or make area well vented when cement or paint is in use.  
-Tear up and throw away the empty plastic bags to avoid danger of suffocation for little children.

**<ALLGEMEINE HINWEISE>**  
-Die Teile vor dem Verleimen sorgfältig zusammenbauen, um Trennverlust zu vermeiden.  
-Nicht zu viel Klebstoff auftragen. -Klebstoff und Farben niemals in der Nähe einer Flamme verwenden.  
-Während der Benutzung mit Spritzpistole oder Pinsel für frische Luftzufuhr, z.B. öffnen des Fensters, sorgen.  
-Bausatz vor kleinen Kindern beschützen. Vorherhin Sie, soll Kleber verschluckte Bauteile in den Mund nehmen oder Plastikfolie über den Kopf ziehen.

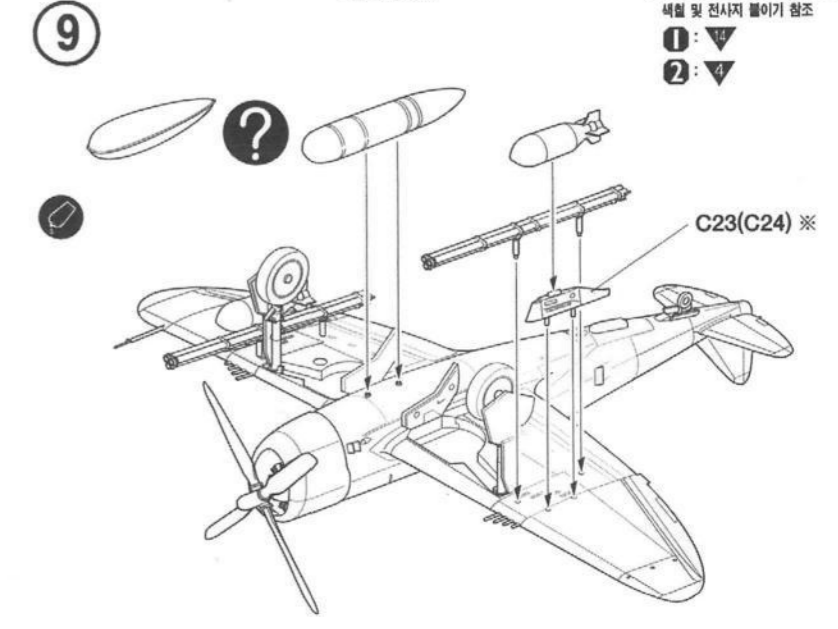
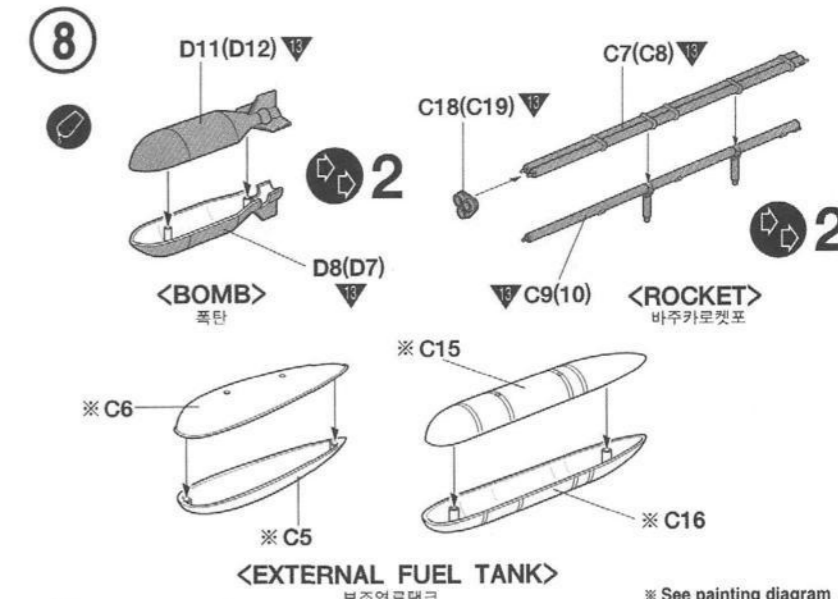
**■ 조립하기 전에**  
-부품을 조립하기 전에 설명서를 잘 읽어 후 조립한다. -부품을 자를 때는 칼이나 나이프를 사용한다. -점착제를 사용할 곳에 사용하지 않는 곳에 주의해서 나무를 베어 내거나 잘라낸다.  
-점착제나 페인트를 사용할 때는 환기를 잘 하고 화기를 멀리한다. -사용 후 남은 부품을 어린 아이들이 손에 닿지 않도록 잘 처리한다.

**주의 WARNING!**

Before starting to assemble, read the instruction manual very carefully to understand well everything of the instructions.  
Before cutting a part off sprue, check the part number again and be proper that each one proper to cut it clearly. Take care not to be hurt in case of rubbing with it cut or tiny parts.  
Never put small parts in the mouth to avoid any danger of suffocation by accidentally swallowed ones. ● Never let children less than 3 years old have it to avoid any danger of taking it.  
The product may have some protruding parts for functional reasons and take care of handling it always.  
After cutting a part off sprue, trim it clearly to assemble and the wastes should be properly sorted to dispose.  
Plastic bags packed with the product and parts should be disposed in a proper place immediately to keep out of children to avoid any danger of suffocation by pulling it over head or putting it over face.  
Before using modelling cotes or cement, open windows to keep the room well ventilated and do not use near fire or flame. After using them, keep in a proper place out of children.



1	BLACK	SCHWARZ	NOIR	ブラック	유광검정색	6	FLAT BLACK	MATTSCHWARZ	NOIR MAT	ツヤ消しブラック	무광검정색
2	RED	ROT	ROUGE	레드	유광빨강색	7	INTERIOR GREEN	INNENGRÜN	VERT INTERIEUR	인테리어그린	인테리어그린
3	YELLOW	GELB	JAUNE	イエロー	유광노랑색	8	METALLIC GRAY	GRÄUMETALLIC	GRIS MÉTAL	메탈릭그레이	흑철색
4	SILVER	SILBER	ARGENT	실버	은색	9	CLEAR RED	ROT, REIN	ROUGE CLAIR	클리어레드	클리어레드
5	GUN METAL	METALL-GRAU	GRIS ANIER	گان메탈	건메탈	10	CLEAR BLUE	BLAU, REIN	BLEU CLAIR	클리어블루	클리어블루



11	CLEAR GREEN	GRÜN, REIN	VERT CLAIR	クリアグリーン	클리어그린	16	YELLOW GREEN	GRÜN GELB	VERT JAUNE	이노그린	황로우 그린
12	CLEAR ORANGE	ORANGE, REIN	ORANGE CLAIR	クリアオレンジ	클리어오렌지	17	RED BROWN	ROT BRAUN	ROUGE BRUN	레드브라운	레드 브라운
13	OLIVE DRAB	OLIVGRÜN	VERT OLIVE	올리브드라브	국방색						
14	NEUTRAL GRAY	MITTELGRAU	GRIS MOYEN	뉴트랄그레이	뉴트랄그레이						
15	MEDIUM GREEN	MITTEL GRÜN	VERT MOYEN	미디엄그린	미디엄그린						