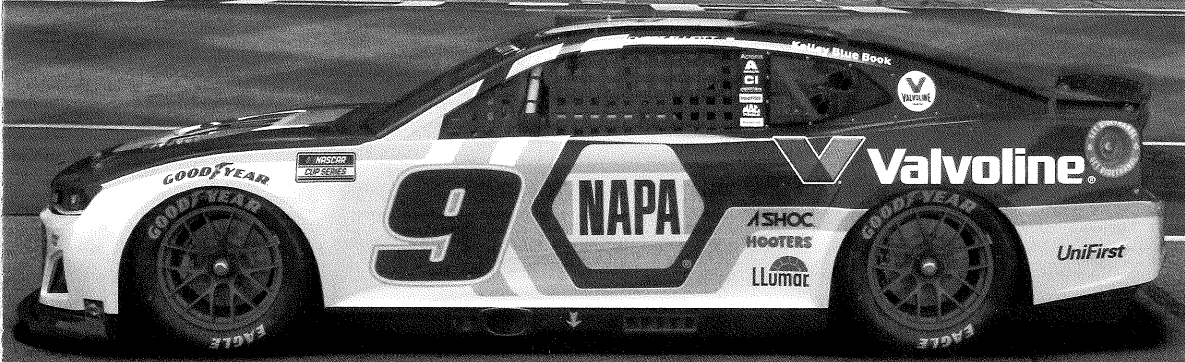


# Chase Elliott®

2022 Chevrolet® Camaro ZL1  
\* includes multiple sponsor liveries\*



salvinosjrmodels.com

made in the U.S.A.

1/24th scale  
18 years and older

**NASCAR**

NASCAR® is a registered trademark of The National Association for Stock Car Auto Racing, LLC.

**Hendrick  
MOTORSPORTS**



OFFICIAL  
LICENSED PRODUCT

General Motors Trademark  
Used Under License to  
Salvinos JR Models, Inc.

**Salvinos  
JR  
Models**

## INDIANAPOLIS: TRICO

USE FENDER OPTION F-5  
TV PANEL OPTION TV-5  
"CREW OPTION"  
*Matt Glendon*  
HONORARY PIT CREW MEMBER

## TEXAS: VALVOLINE

USE FENDER OPTION F-1  
TV PANEL OPTION TV-1  
"CREW OPTION"  
*Shane Stone & Z*  
HONORARY PIT CREW MEMBER

## CHARLOTTE (ROVAL): NIGHTVISION

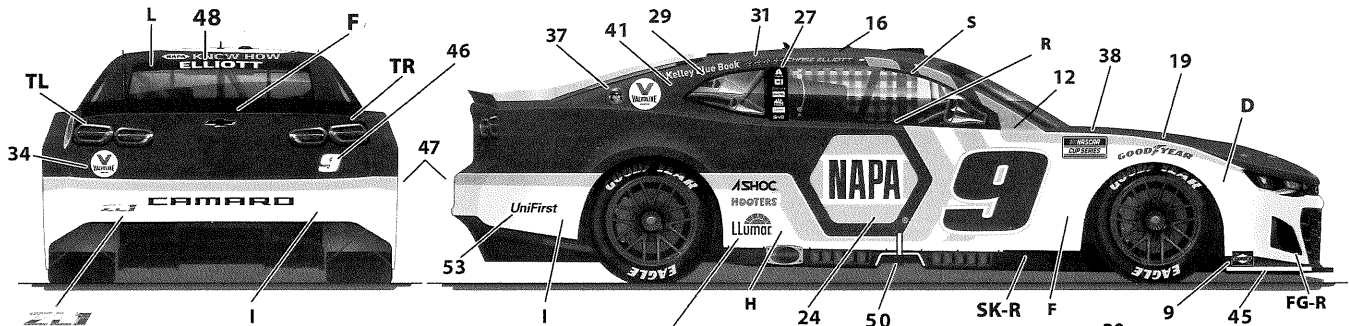
USE FENDER OPTION F-4  
TV PANEL OPTION TV-4  
"CREW OPTION"  
*Josh Henderson*  
HONORARY PIT CREW MEMBER

## KANSAS: BLUEDEF

USE FENDER OPTION F-2  
TV PANEL OPTION TV-2  
"CREW OPTION"  
*In Memory of  
Junior Cunningham '80*  
NASCAR PLAYOFF DECAL  
WITH "ROUND OF 16" BELOW  
YELLOW SPOILERS AND  
WINDOW BANNER

## RICHMOND: CRC BRAKLEEN

USE FENDER OPTION F-3  
TV PANEL OPTION TV-3  
"CREW OPTION"  
*Rick's Auto Service*  
HONORARY PIT CREW MEMBER



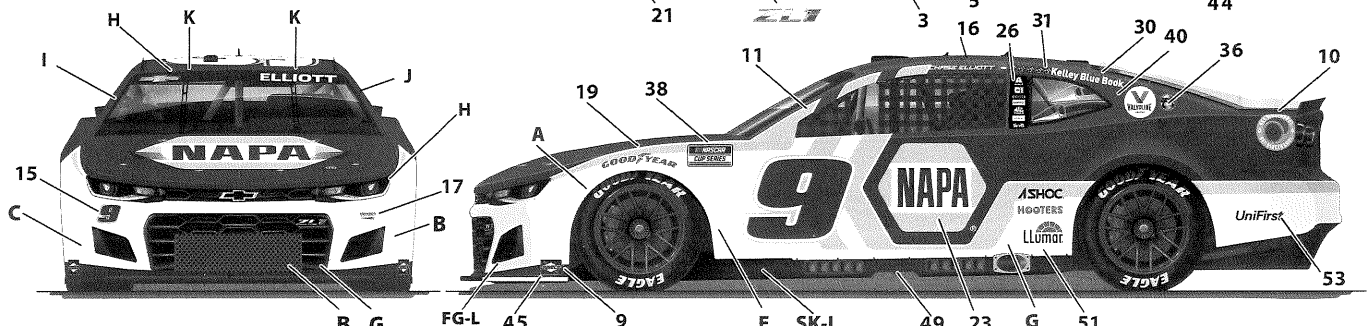
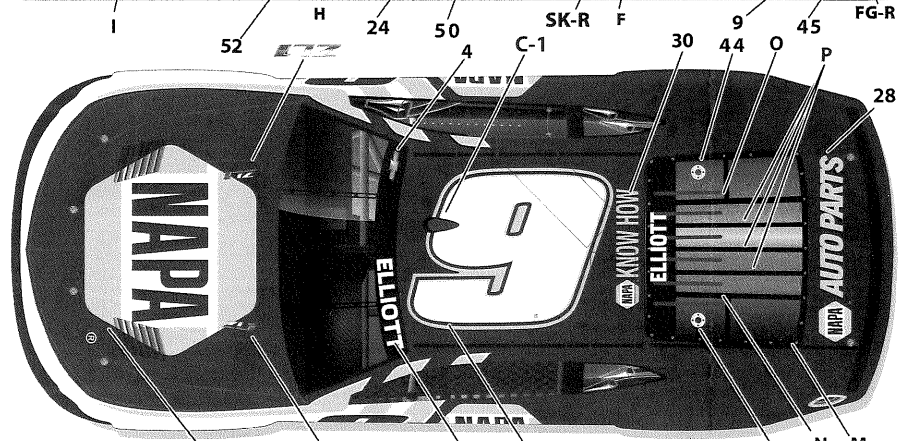
### NOTES:

IF USING WHITE BODY DECALS, APPLY  
BEFORE THE MAIN GRAPHICS

WHEELS: DARK GUNMETAL  
CHASSIS: VERY LIGHT GRAY  
BODY: PMS REFLEX BLUE

BBS DECALS ARE ADDED  
ONE PER WHEEL

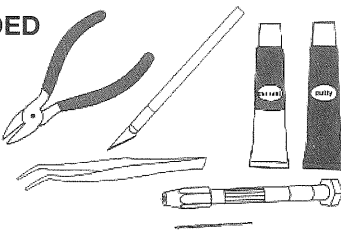
DECAL #1 GOES ON ELECTRONIC DASH  
DECAL #2 GOES ON FIRE BOTTLE



This kit is for 18 years and older. Keep out of reach of small children. Do not allow them to put parts in their mouths or the packaging bags over their heads.

**TOOLS NEEDED**

Side Cutters,  
Tweezers,  
Hobby Knife,  
Pin Vise &  
.040 Drill Bit,  
Glue and Putty.

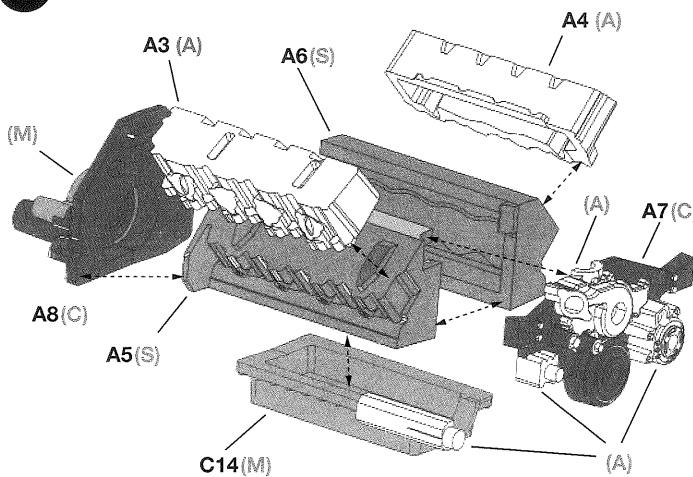


For best results, read this sheet **COMPLETELY** before assembly!  
Dry fit parts before paint and assembly, use tube type styrene glue or styrene solvent, never use cyanoacrylate glues! See build video tips at [salvinosjrmodels.com/videos](http://salvinosjrmodels.com/videos).

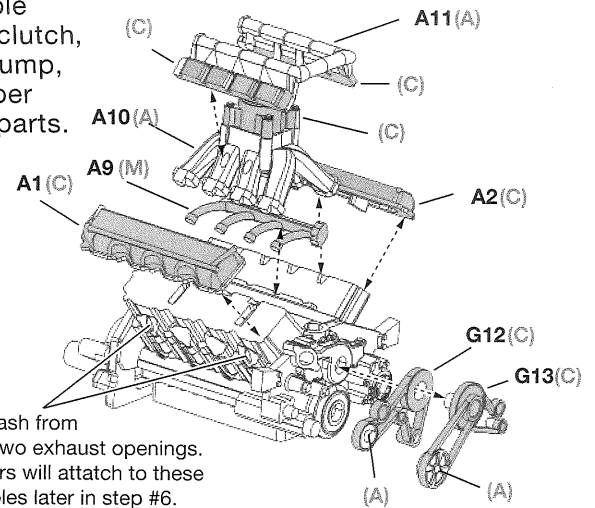
**COLOR CODES**

(A)	aluminum	(R)	red
(C)	semigloss black	(S)	steel
(I)	gun metal	(T)	titanium
(M)	brass	(W)	white

**1** Engine assembly

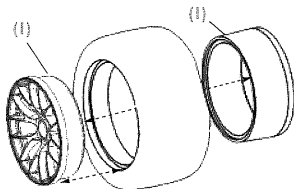


Assemble intake, clutch, water pump, and upper engine parts.

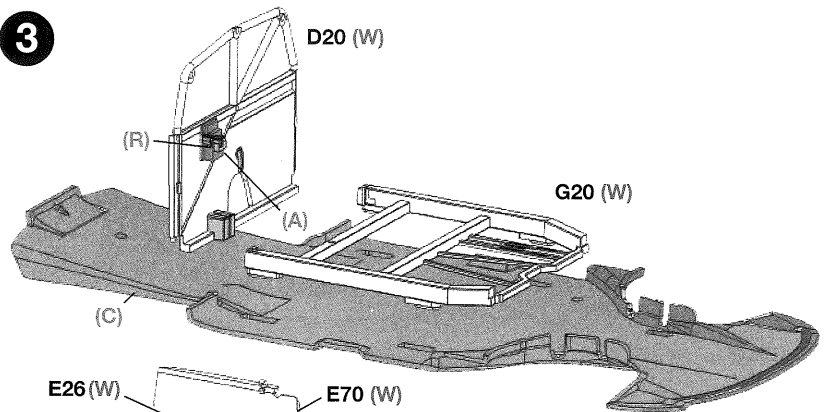


Trim flash from outer two exhaust openings. Headers will attach to these two holes later in step #6.

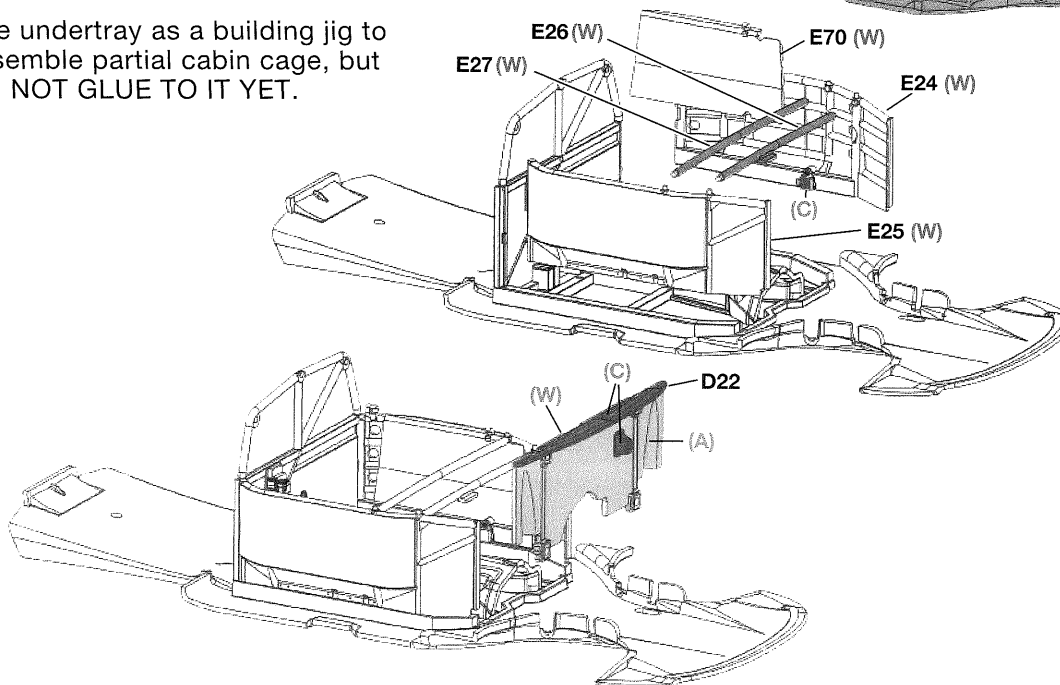
**2** Assemble the wheels but do not glue them to the hubs.



**3**

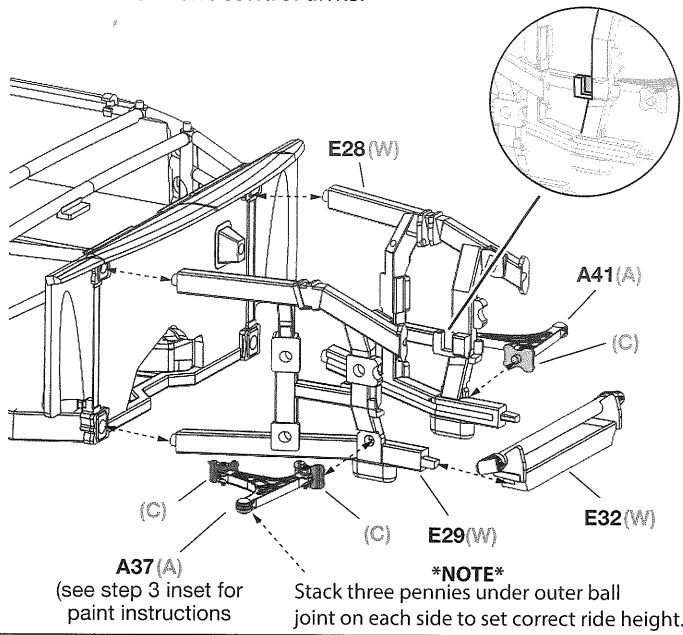


Use undertray as a building jig to assemble partial cabin cage, but **DO NOT GLUE TO IT YET.**



4

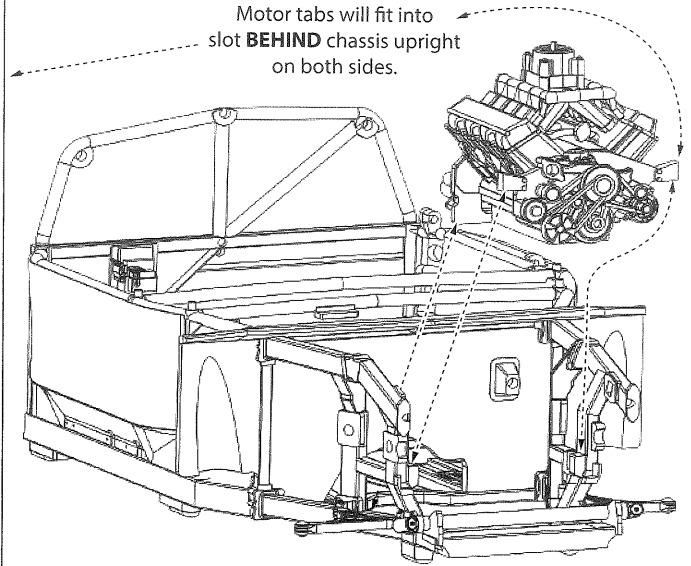
Assemble and glue partial motor cage to the front firewall - test fit assembly in the undertray. Attach lower front control arms.



5

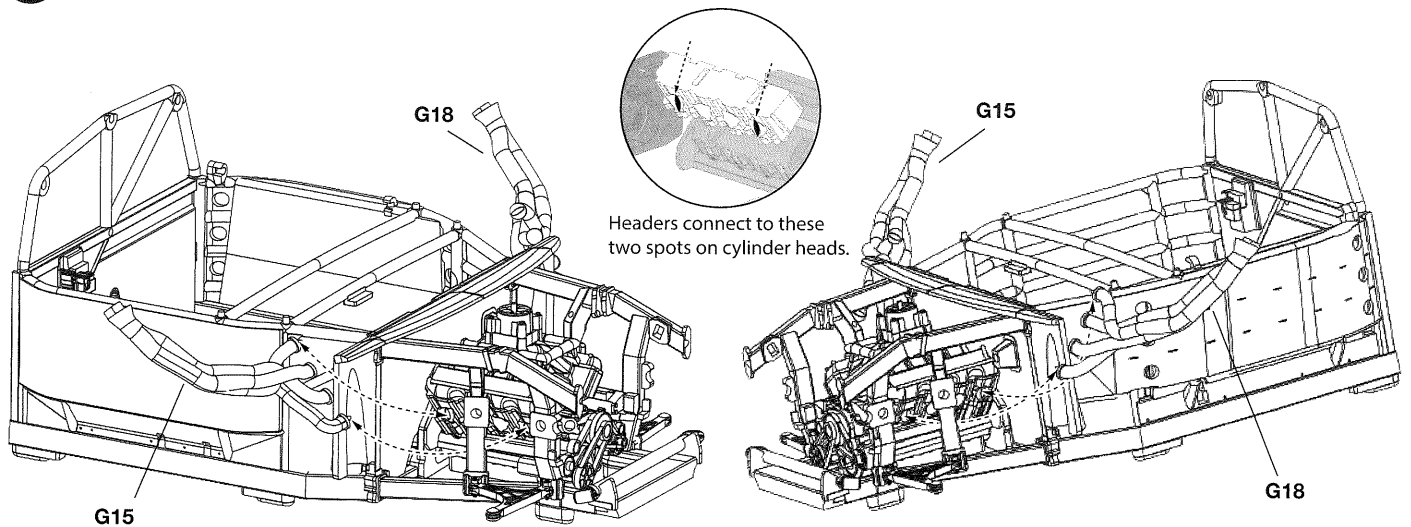
Glue bottom of clutch bell to roll cage bottom and motor mounts to cage sides.

**\*NOTE\***  
Motor tabs will fit into slot **BEHIND** chassis upright on both sides.



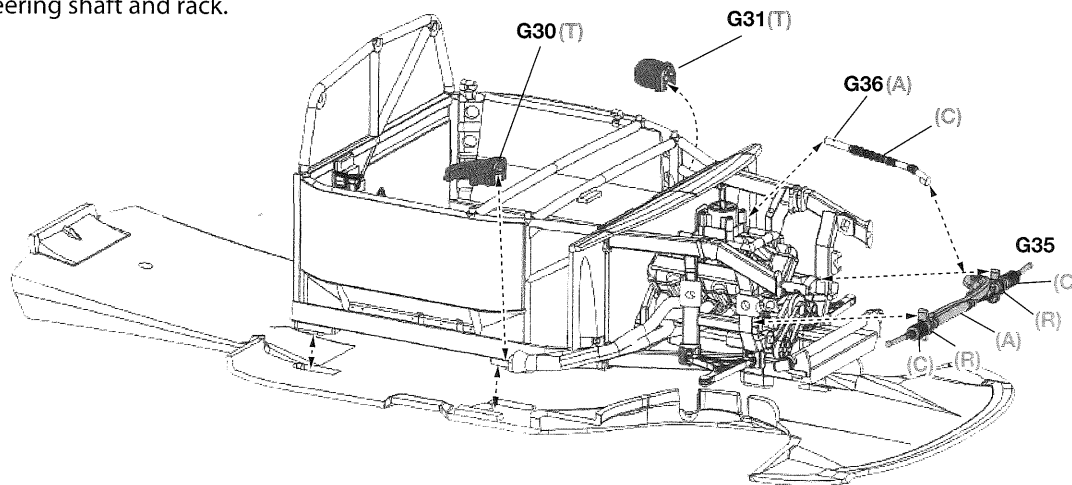
6

Rotate headers through cage openings and glue to the heads.

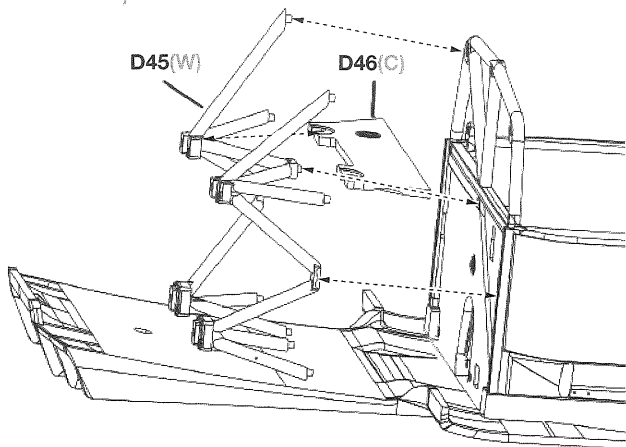


7

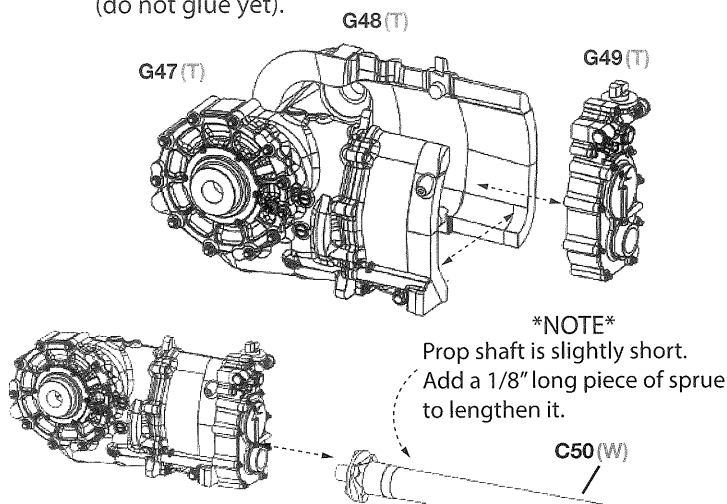
Make sure all cage parts are glued **very** tightly against the undertray! Glue on the exhaust tips to the headers and undertray, and attach the steering shaft and rack.



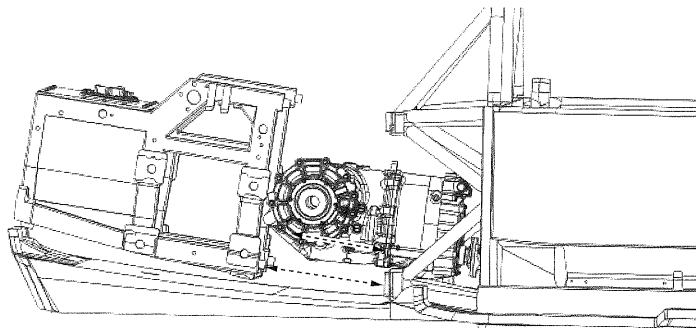
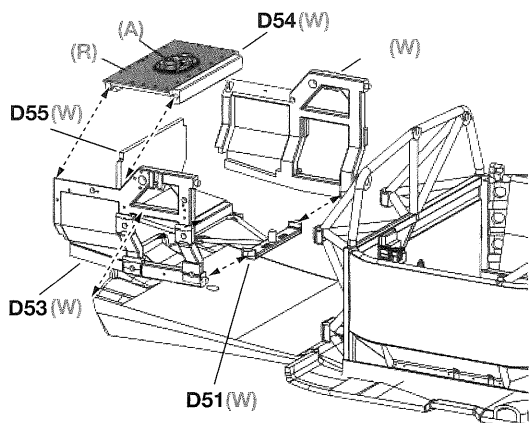
**8** Glue truss and forward deck piece together and then to the back firewall .



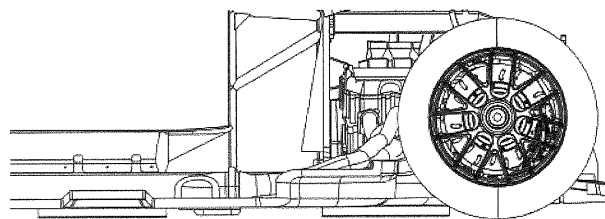
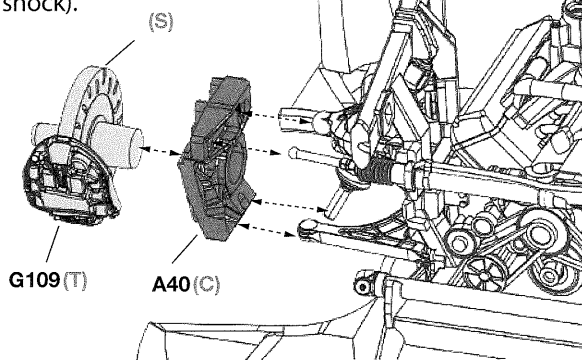
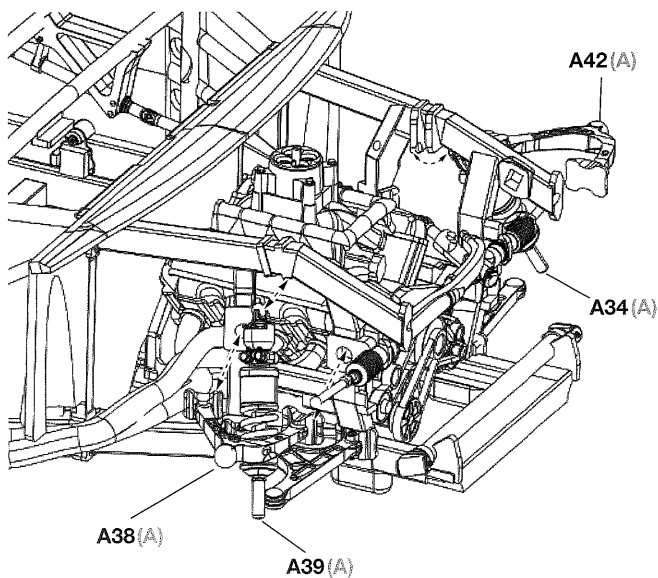
**9** Glue Transaxle together, glue in prop shaft and insert it through the hole in the firewall and into the clutch bell (do not glue yet).



**10** Assemble the fuel cell cage. Raise transaxle and slide cage underneath, then glue the cage to the truss. Make sure all cage parts are glued very tightly against the undertray!



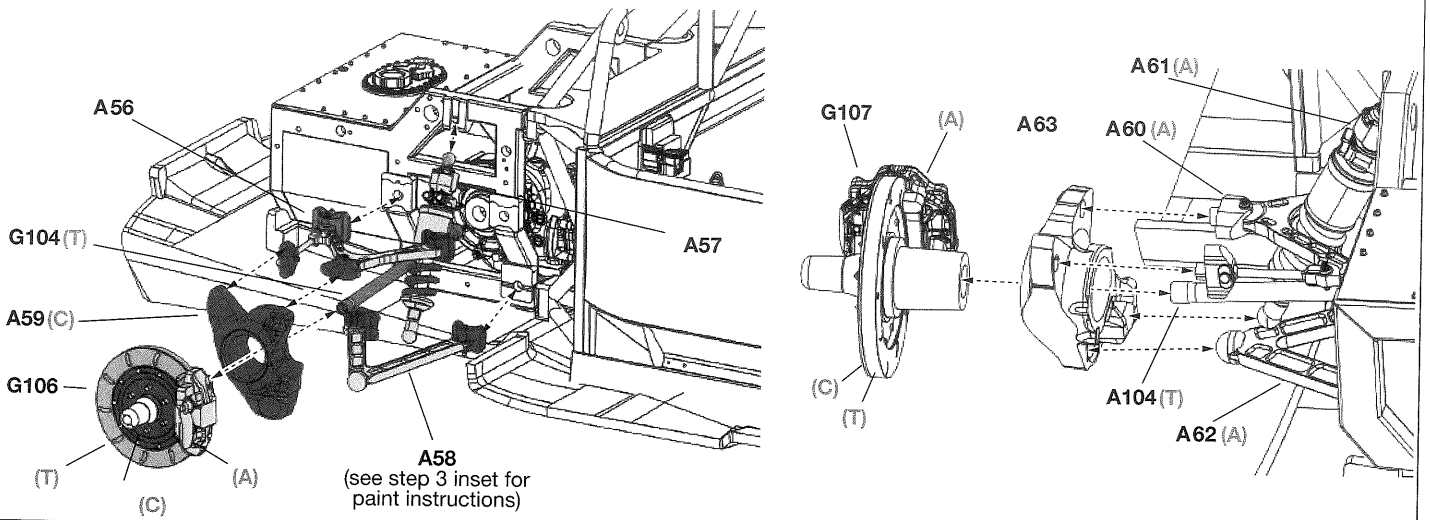
**11** Assemble front suspension but do not glue to hub! Glue shocks into upper frame, A38 to frame, then hub to A arms, steering shaft and shock). Repeat on left side with parts A42, A34, A41, and G108.



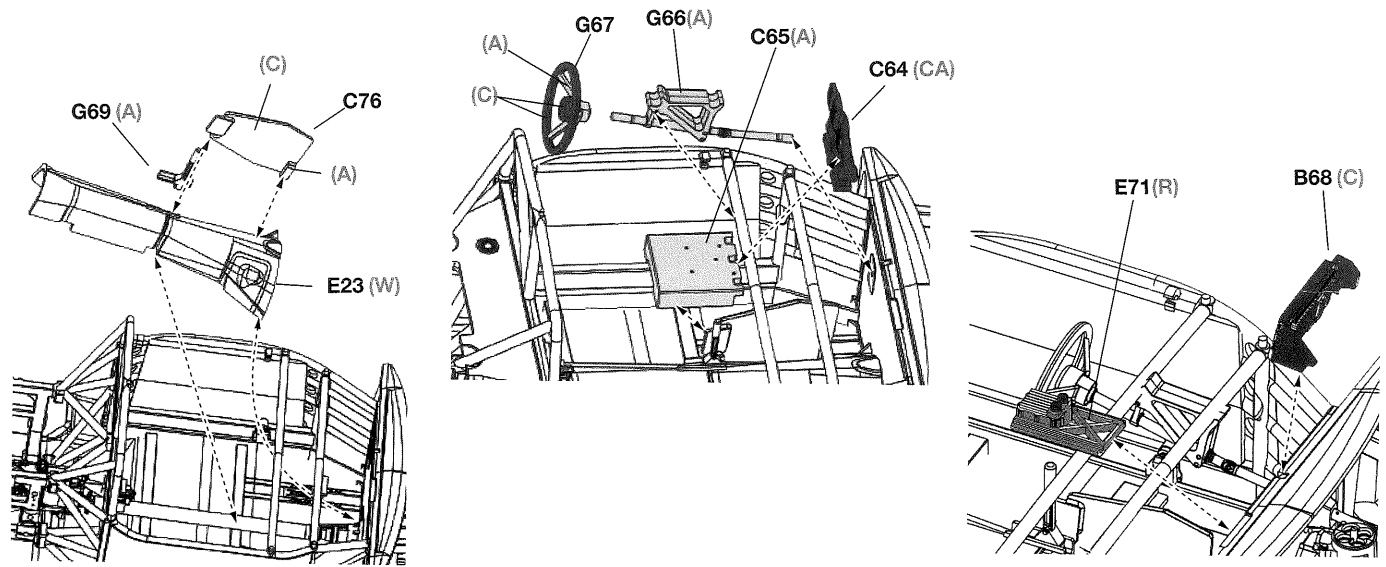
Place pennies underneath for support and for equal ride height.

**12**

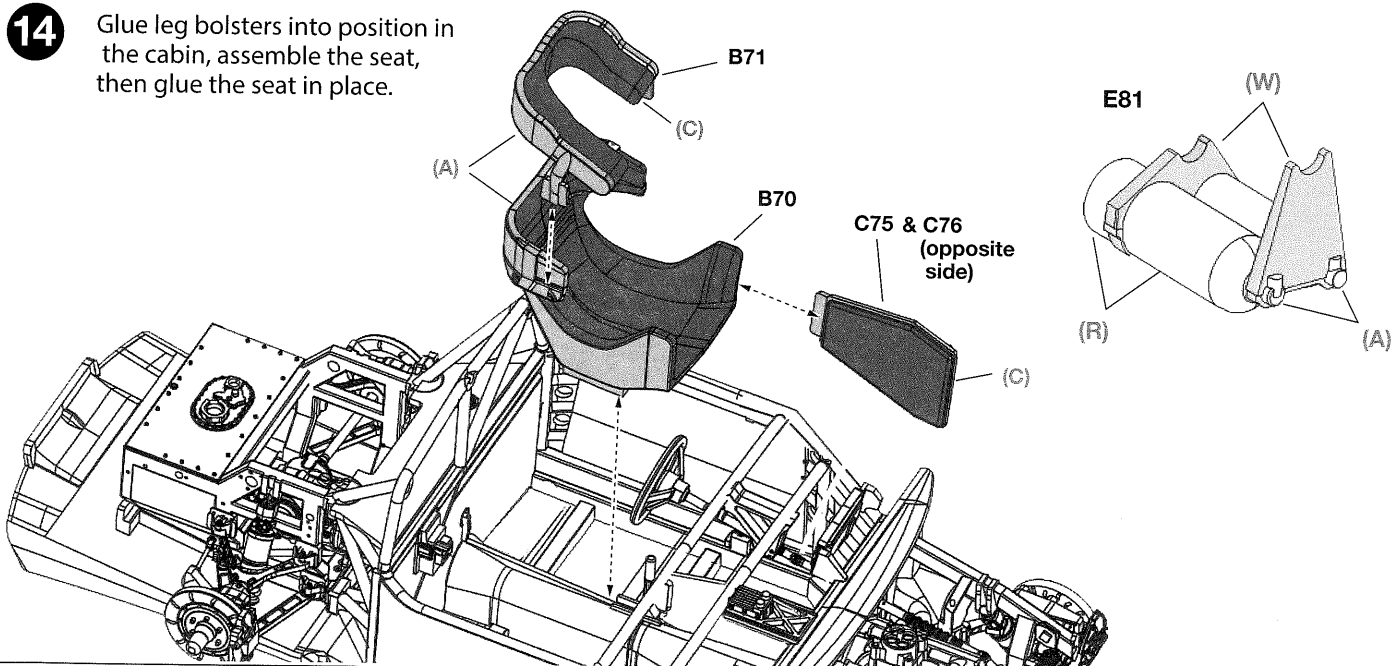
Assemble rear suspension right side: glue shock, A56, and A58 into frame and then the other ends into A59. insert G104 through A59 opening and into transaxle, and into G106, and glue in place; repeat on the left side. The arrows on the tree indicate the top of the parts B58 and B62 and point forward, do not flip or reverse them.

**13**

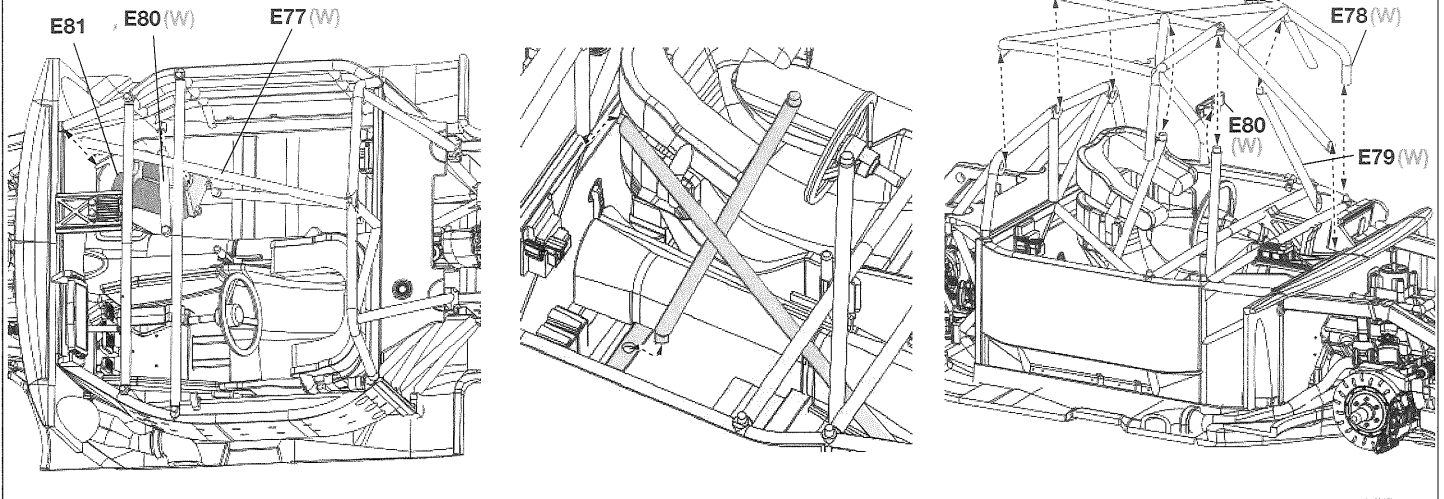
Install controls and electronics.

**14**

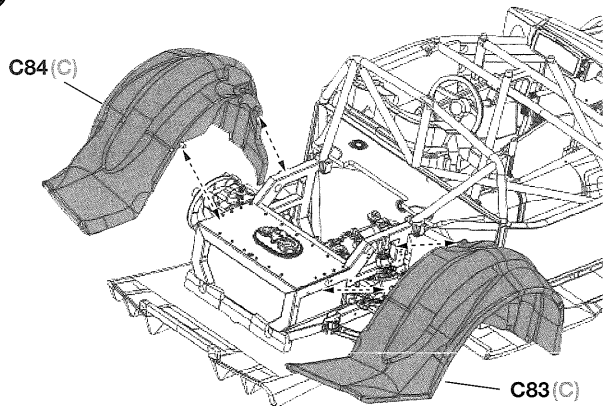
Glue leg bolsters into position in the cabin, assemble the seat, then glue the seat in place.



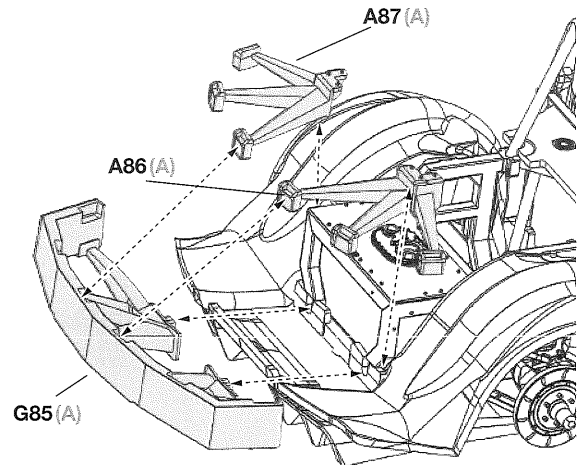
**15** Glue in Petty Bars and fire tanks, then cage to side panels top.



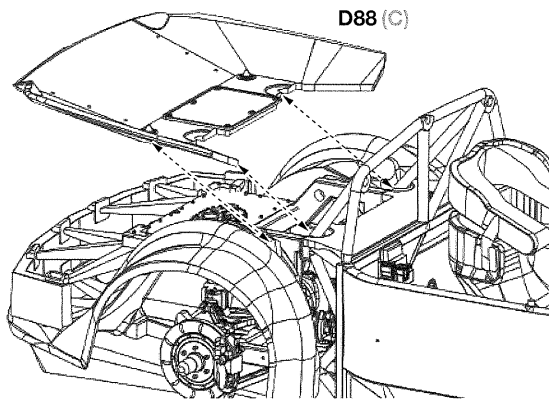
**16** Glue in the rear wheel wells.



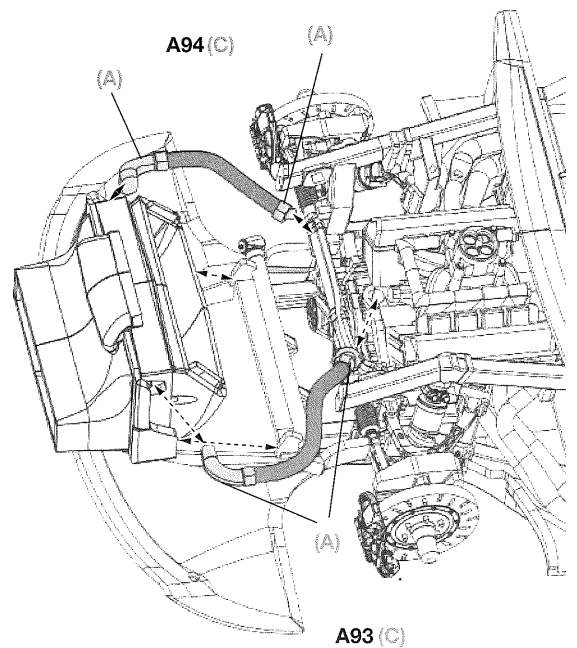
**17** Attach the rear bumper.



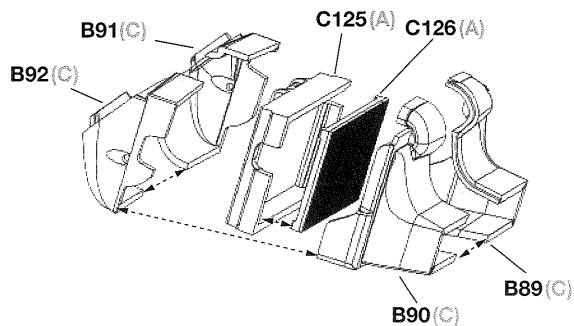
**18** Attach the back deck.



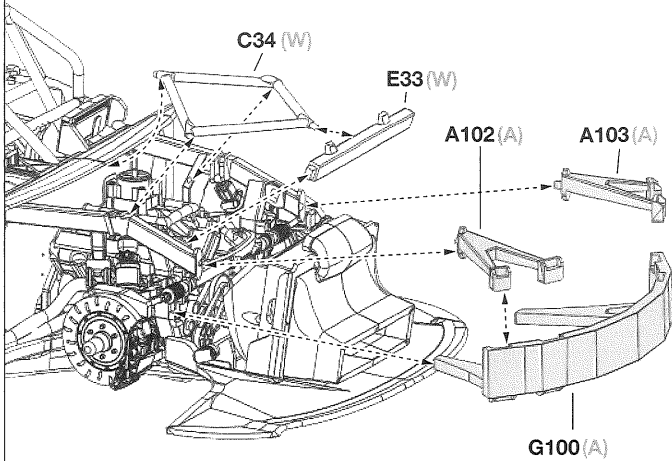
**20** Attach the radiator intake and glue to the front lower cross member and the bottom to the pan (test fit step 24 parts).



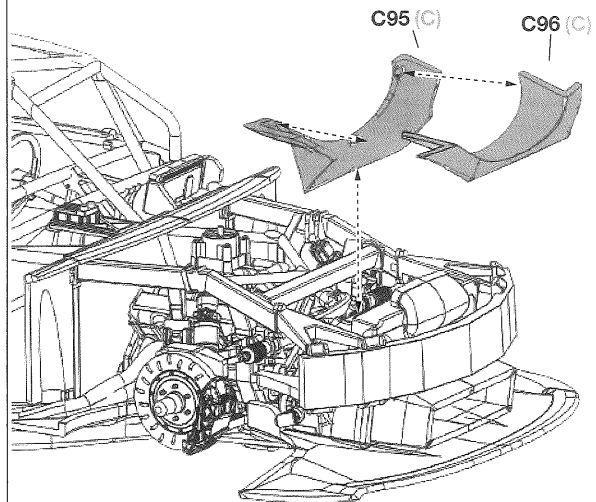
**19** Assemble the radiator and housing.



**21** Complete the engine cage, spread G100 slightly to fit around radiator shroud, glue along with upper supports.

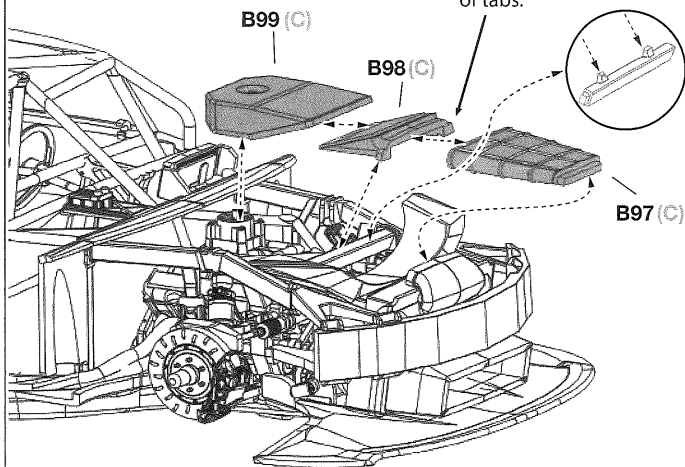


**22** Glue together the intake snorkel parts.

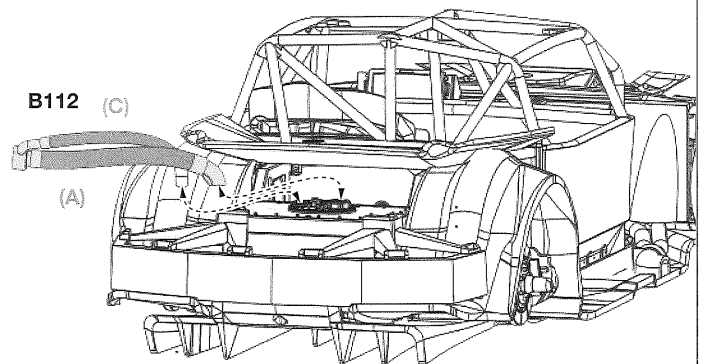


**23** Assemble and attach the snorkel (gluing optional on B99).

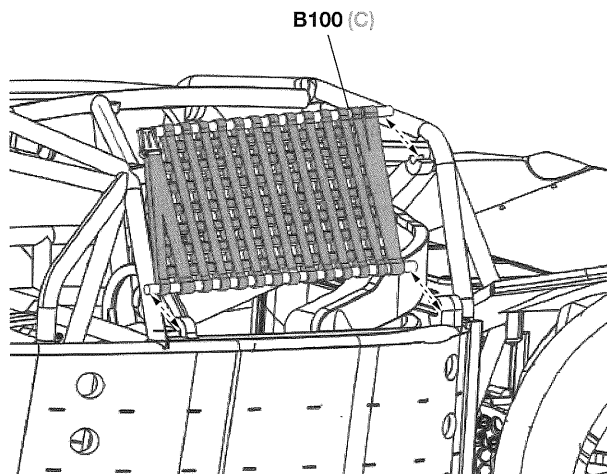
**\*\*NOTE\*\***  
Make sure snorkel ears go on top of cross bar in front of tabs.



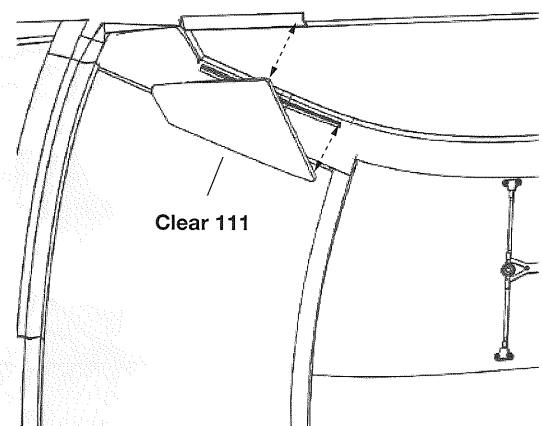
**24** Glue fuel filler into the top of the fuel cell and glue on wheels.



**25** Glue window net into roll cage.

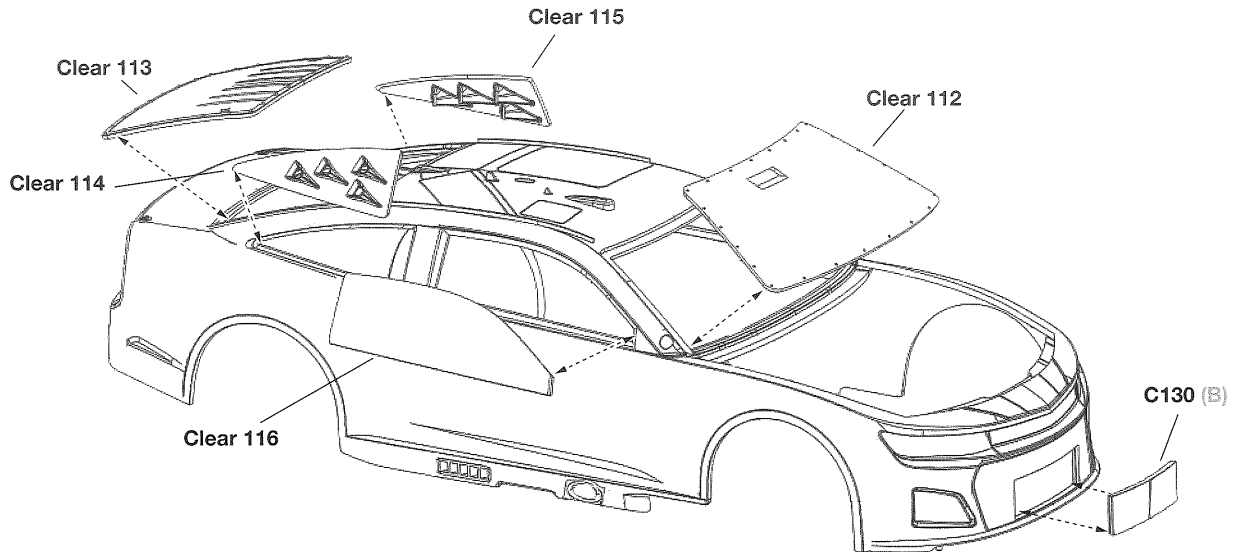


**26** Glue triangular net or clear window into body.



27

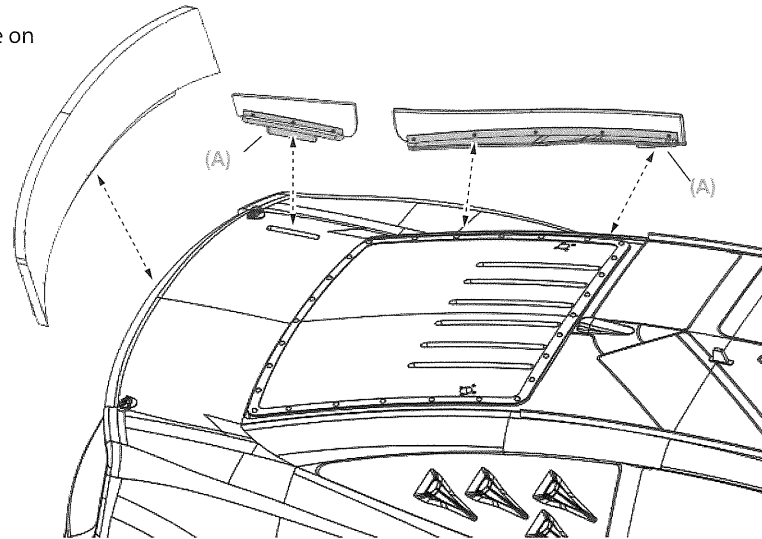
Glue the windows (use Shoe Goo or Mod Podge).



28

Trim the vinyl if necessary and glue on vertical fins and choice of spoiler, clear 119 or F120.

Clear 119 with (C)  
mounting face  
or F120 (C)



29

Place finished body onto the chassis. Admire your work!

