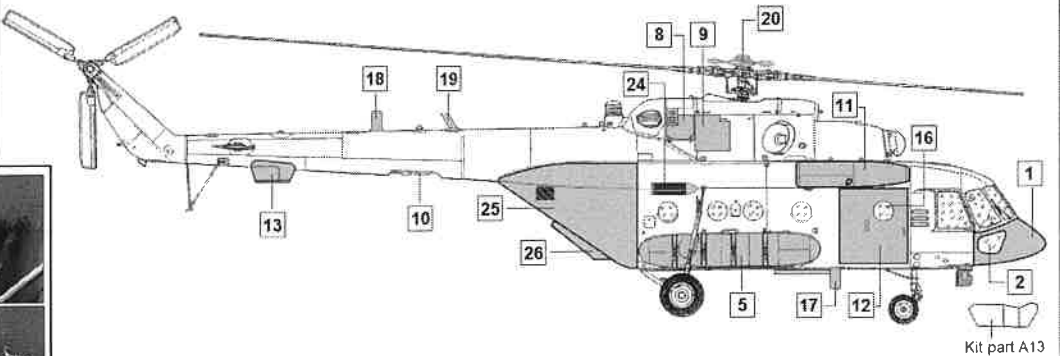
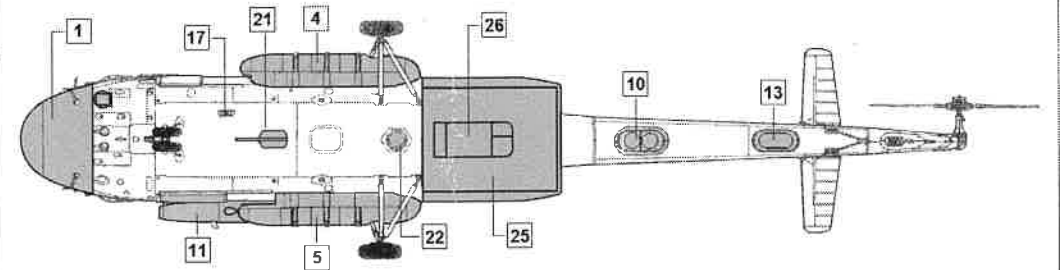
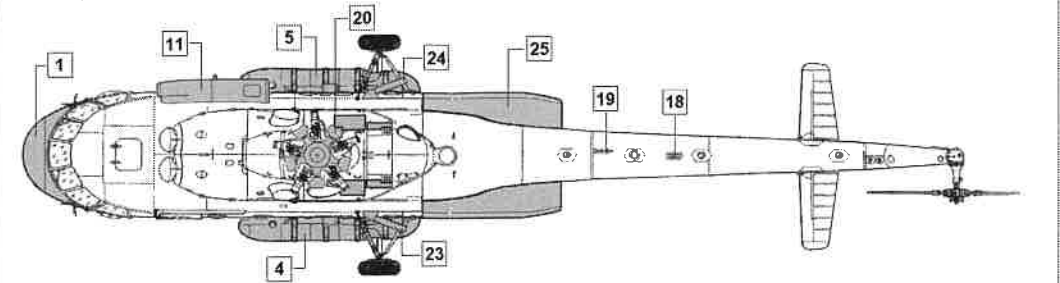
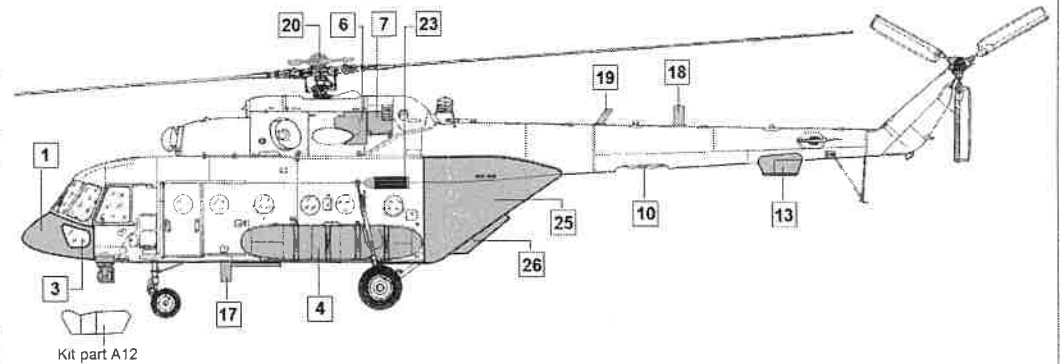
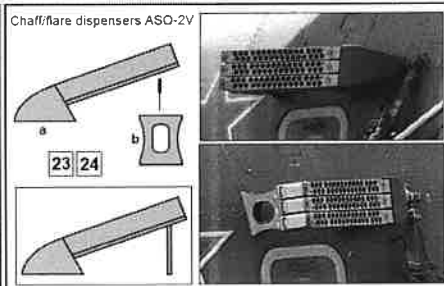
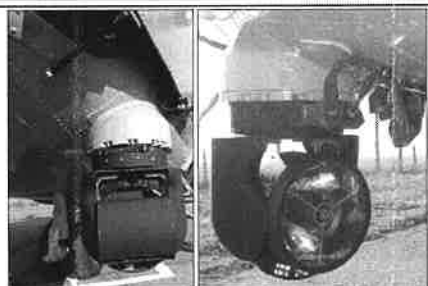
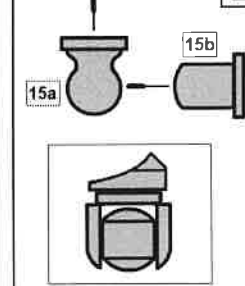
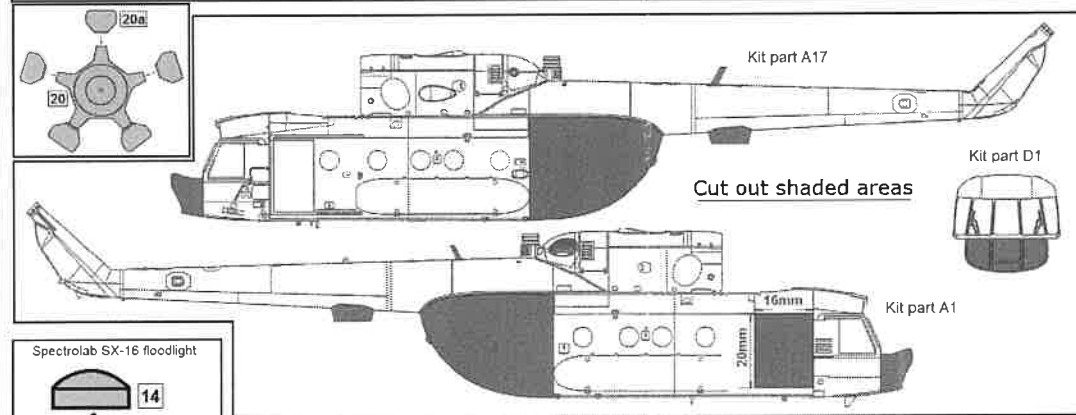
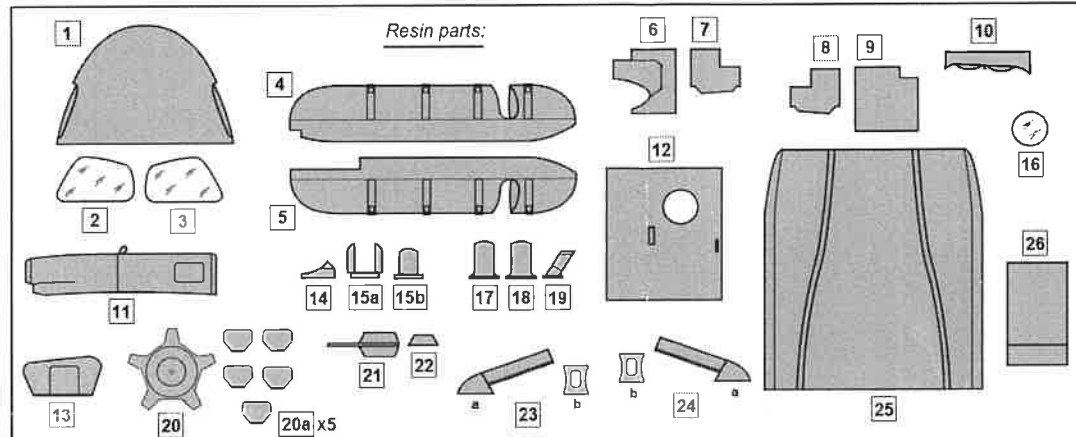


Highly detailed resin exterior upgrade set. Perfect for Hobby Boss kit.

TC 72036

The Mi-8AMTSh is a dedicated armored assault version of the Mi-8AMT helicopter. Sometimes it is nicknamed the Terminator. Its armament is derived from Mi-24 gunship and carries some armor. It made its first flight in 1996. It was first publicly demonstrated in 1999. First helicopters were delivered to Russian Air Force in 2009.

Main role of this helicopter is to carry cargo and troops and support them with its firepower. It can also perform evacuation and combat search and rescue. It can soften-up enemy defenses before landing. This helicopter can engage enemy infantry, armored vehicles and even main battle tanks. Also it has secondary air-to-air capability against low-flying aircraft, helicopters, and UAVs. Mi-171Sh Terminator is an export model.



Detail resin set to make the Mil Mi-8/17 "Hip". For experienced modellers. Many items have a complex shape and very slim design and require increased care and accuracy in circulation. For best result gluing use cyanoacrylate glue. Not for children.