

Soviet OT-130 Flame Thrower Tank

ソビエト OT-130 火焰放射戦車

苏联OT-130喷火坦克

PLEASE READ BEFORE OPERATION!

- * Tools recommended as below: (Not included)
File; Nipper; Drill; Sissors; Sand Paper; Soft Cloth; Cyanoacrylate Glue.
- * Make sure to read this instruction listed below before assembling.
Use the correct glue for each part. Do not use too much glue, so keep them away from each of children. Use vigorous to swallow by mistake.
- * Do not use small parts.
Do not use sharp tools. The sharp edges should be smoothed by sandpaper.
- * Cut the all parts off carefully and remove the waste parts into the garbage can.
Use the correct glue for each part. Do not use too much glue, so keep them away from each of children. Use vigorous to swallow by mistake.
- * Make attention that some parts should be attached the decal when assembled.
Use the correct glue for each part. Do not use too much glue, so keep them away from each of children. Use vigorous to swallow by mistake.
- * When using the adhesives and paints, please do not use them in the closed room or near the fire, also must be very careful to protect your eyes, skin and clothes.
- * Adult supervision when assembled by children under 14 years old.

拼装前请仔细阅读!

- * 拼装使用的工具(请自备):
专用模型胶水、专用模型油漆、水口剪刀、水银锯、刀片、镊子、镊子钳、钻、磨刀、软布、砂纸、润肤快干胶等。
- * 用水口剪刀剪力薄片小心切下所有塑胶零件和蚀刻片零件,不要边剪边小零件。
- * 不要边剪边小零件。
- * 不要边剪边小零件。
- * 用细砂纸磨刀小心修整零件锐利的边缘和尖角。
- * 用适量的强力快干胶水粘胶零件和蚀刻片零件和金属轴,切忌过量,否则可能导致零件损坏。
- * 注意某些零件需要在拼装时同步贴上火贴。
- * 制作时应在儿童14岁前由成人进行包装及指导,谨防小孩玩耍时引起意外。

	cyanoacrylate glue		cutting		drill		sandpaper		nipper		soft cloth
	file		nipper		drill		sandpaper		nipper		soft cloth
	nipper		drill		sandpaper		nipper		soft cloth		file
	nipper		drill		sandpaper		nipper		soft cloth		file

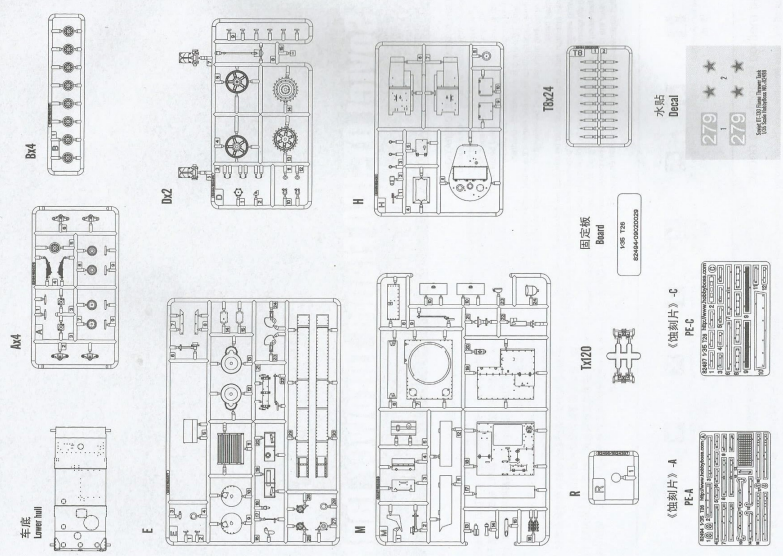
The method to apply the decals

1. Cut off the decal from the decal paper and put it into the warm water 40 C. for 10 min.
2. Take the decal from the water and put it on a piece of clean cloth.
3. Remove the decal slowly from the paper to the targeted location by a wet finger.
4. When the decal is on the targeted location, please do not touch it, getting dry and no bubble existing.

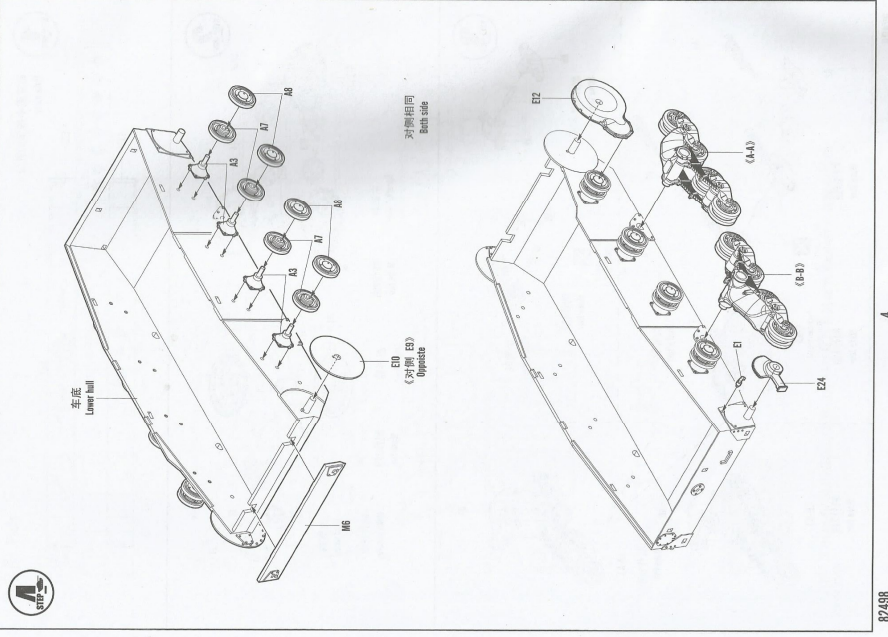
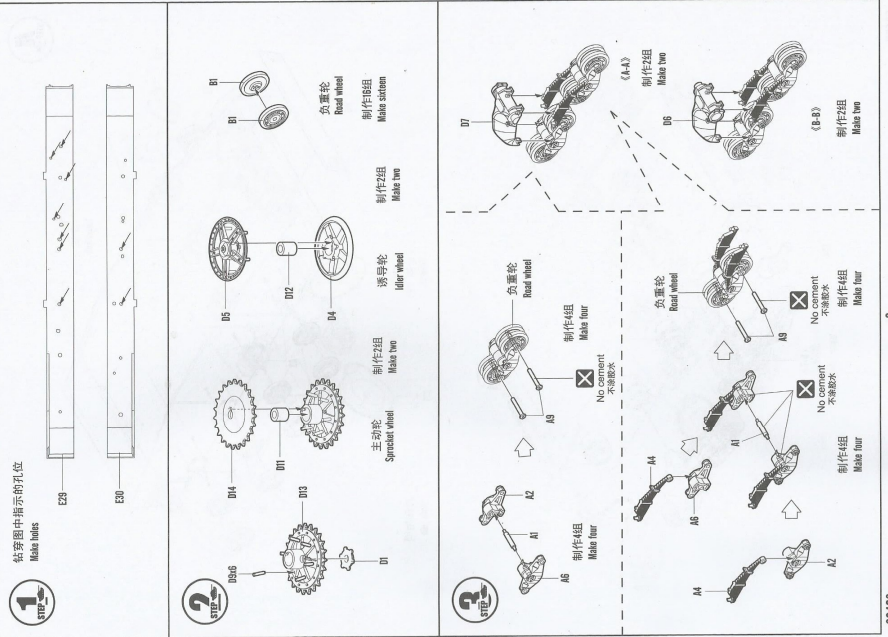
水贴的使用方法:

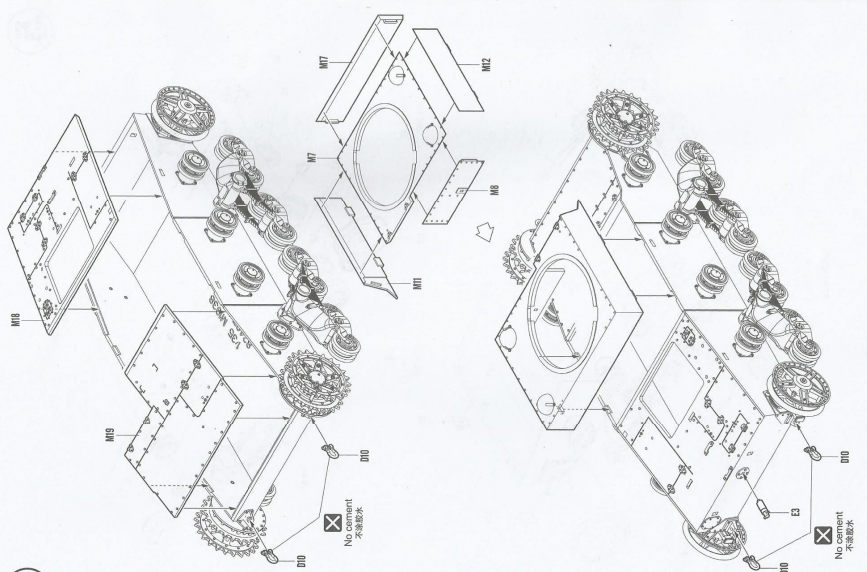
- 一、把水贴印片从水贴上剪下,放入40℃左右的温水中。
- 二、将水贴印片放在干净的布上。
- 三、拿上印片底部,用指腹将印片移动到目标位置,并轻轻按压印片直至平干,气泡消失。

部品图 Parts



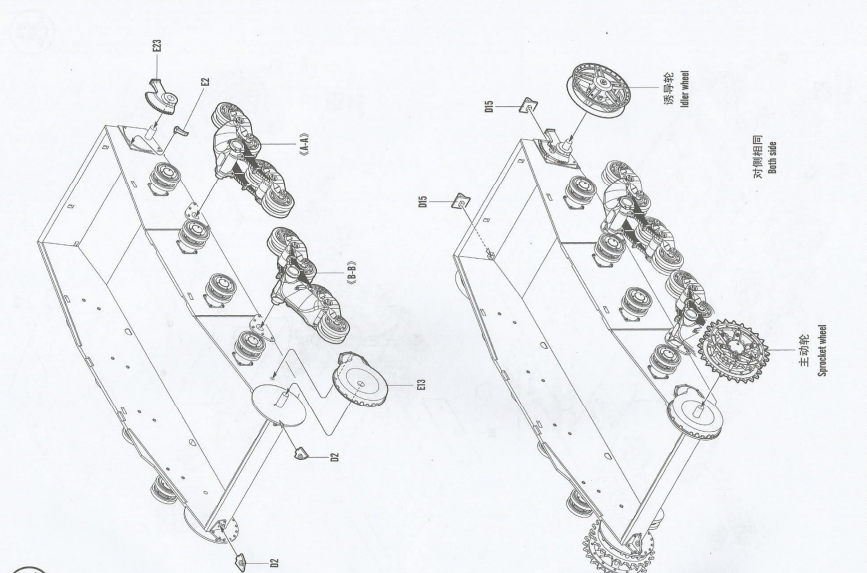
水箱 Decal
279
279
Unused parts: ES-E4, ES-E7, ES-E8, E20, E21, E22, PE-A8, PE-A9, PE-A10, PE-A11, PE-A12, PE-A17, PE-A18, PE-A19, PE-A20, PE-A21, PE-A22, PE-A23, PE-A24, PE-A25, PE-A26, PE-A27, PE-A28, PE-A29, PE-A30, PE-A31, PE-A32, PE-A33, PE-A34, PE-A35, PE-A36, PE-A37, PE-A38, PE-A39, PE-A40, PE-A41, PE-A42, PE-A43, PE-A44, PE-A45, PE-A46, PE-A47, PE-A48, PE-A49, PE-A50, PE-A51, PE-A52, PE-A53, PE-A54, PE-A55, PE-A56, PE-A57, PE-A58, PE-A59, PE-A60, PE-A61, PE-A62, PE-A63, PE-A64, PE-A65, PE-A66, PE-A67, PE-A68, PE-A69, PE-A70, PE-A71, PE-A72, PE-A73, PE-A74, PE-A75, PE-A76, PE-A77, PE-A78, PE-A79, PE-A80, PE-A81, PE-A82, PE-A83, PE-A84, PE-A85, PE-A86, PE-A87, PE-A88, PE-A89, PE-A90, PE-A91, PE-A92, PE-A93, PE-A94, PE-A95, PE-A96, PE-A97, PE-A98, PE-A99, PE-A100.





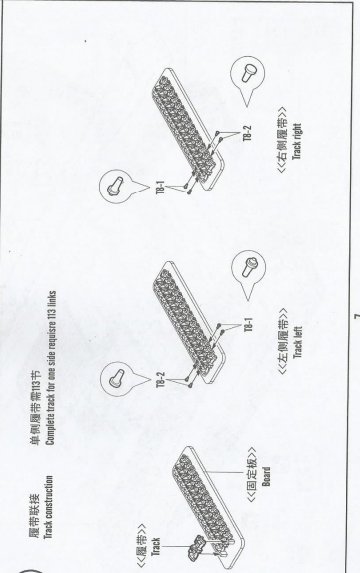
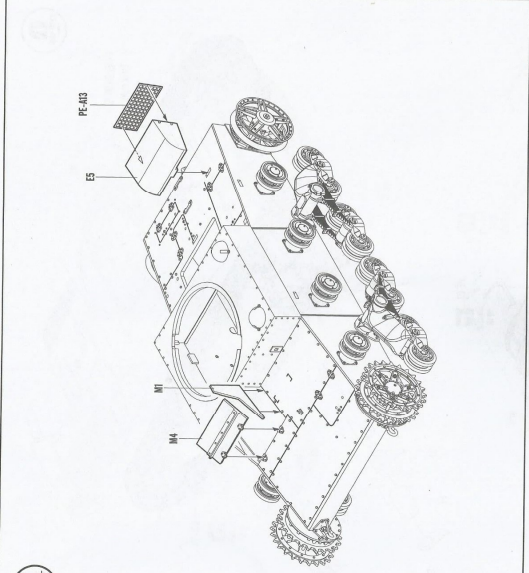
82498

6



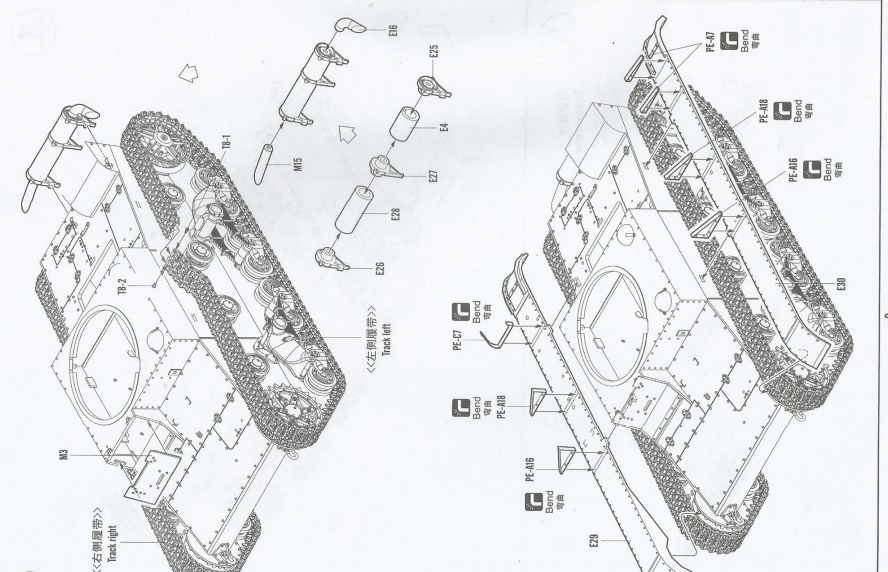
82498

5



82498

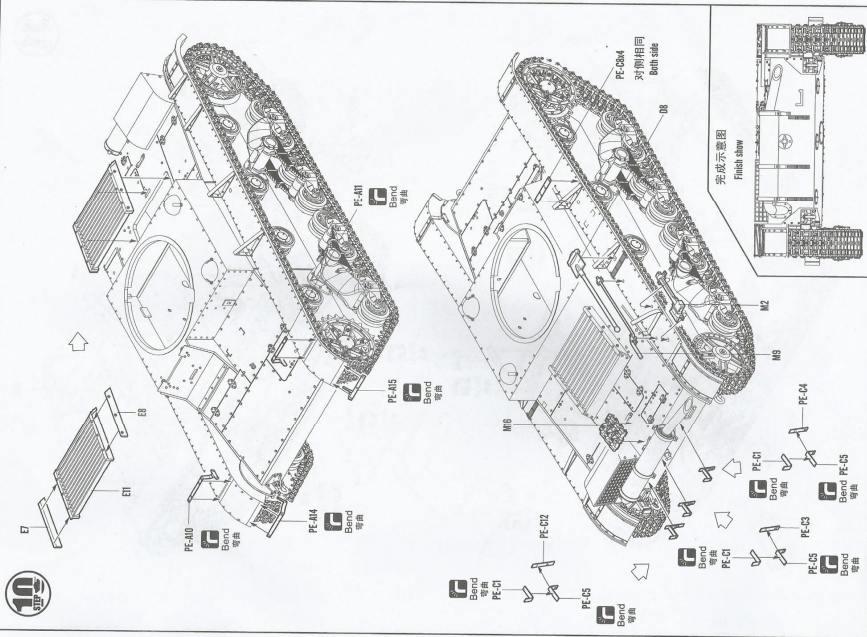
7



82498

8

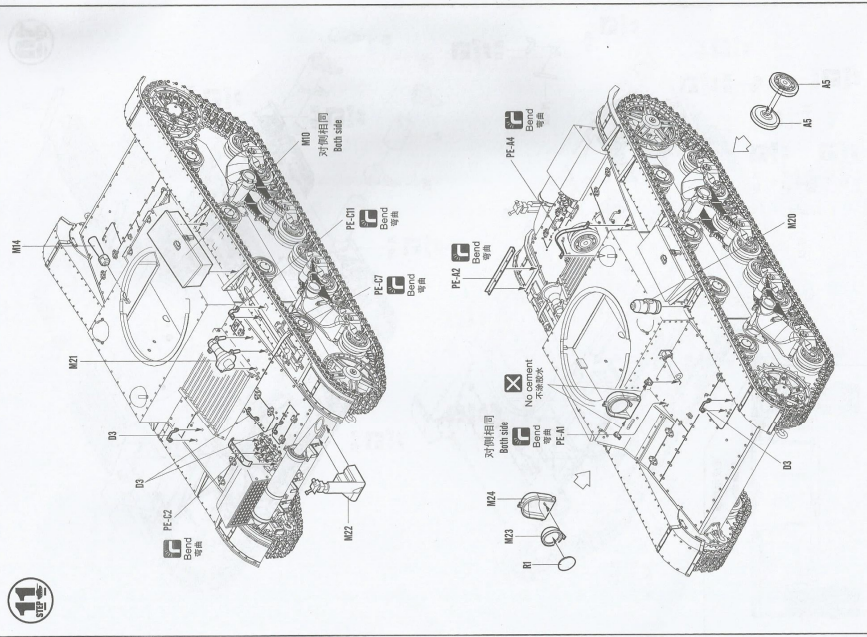
10



82498

9

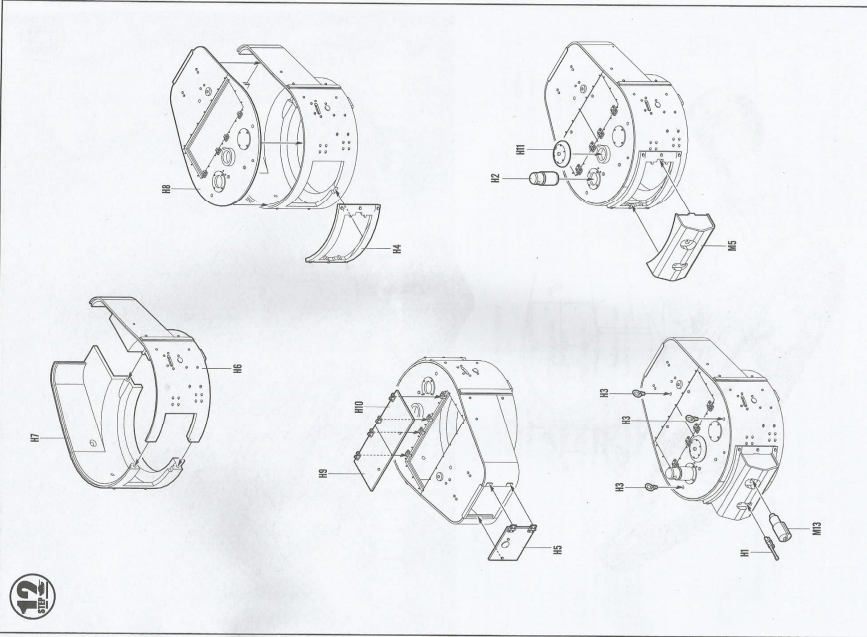
11



82498

10

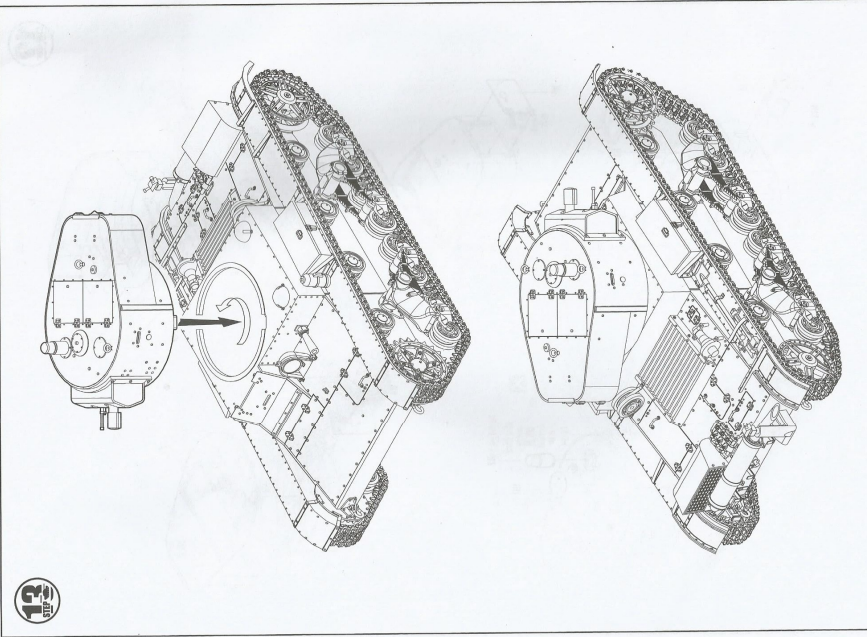
12



82498

11

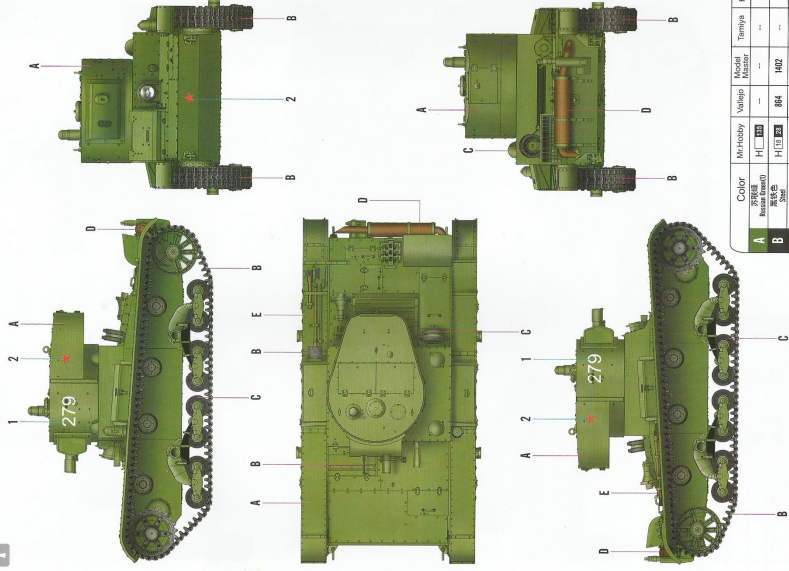
13



82498

12

I

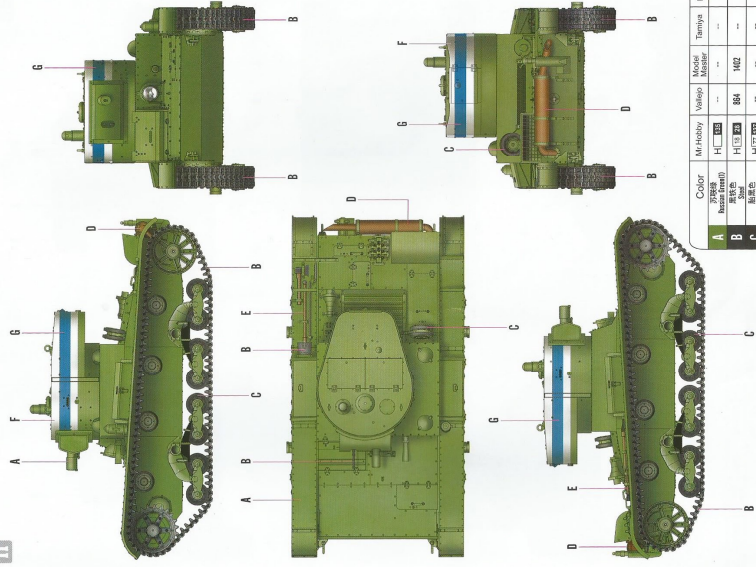


Color	Mini Hobby	Valley	Model Master	Tempo	Hammer
A 军绿色 Army Green	H-103	---	---	---	---
B 浅绿色 Light Green	H-102	664	1402	---	---
C 土黄色 Tan	H-101	---	---	---	---
D 深绿色 Dark Green	H-104	663	1795	100	50
E 黑色 Black	H-105	665	1701	---	185
F 白色 White	H-106	---	---	179	107

NO.32498

*Some parts may not be available in your country. Please check your local hobby shop for availability.

II



Color	Mini Hobby	Valley	Model Master	Tempo	Hammer
A 军绿色 Army Green	H-103	---	---	---	---
B 浅绿色 Light Green	H-102	664	1402	---	---
C 土黄色 Tan	H-101	---	---	---	---
D 深绿色 Dark Green	H-104	663	1795	100	50
E 黑色 Black	H-105	665	1701	---	185
F 白色 White	H-106	---	---	179	107

NO.32498

*Some parts may not be available in your country. Please check your local hobby shop for availability.