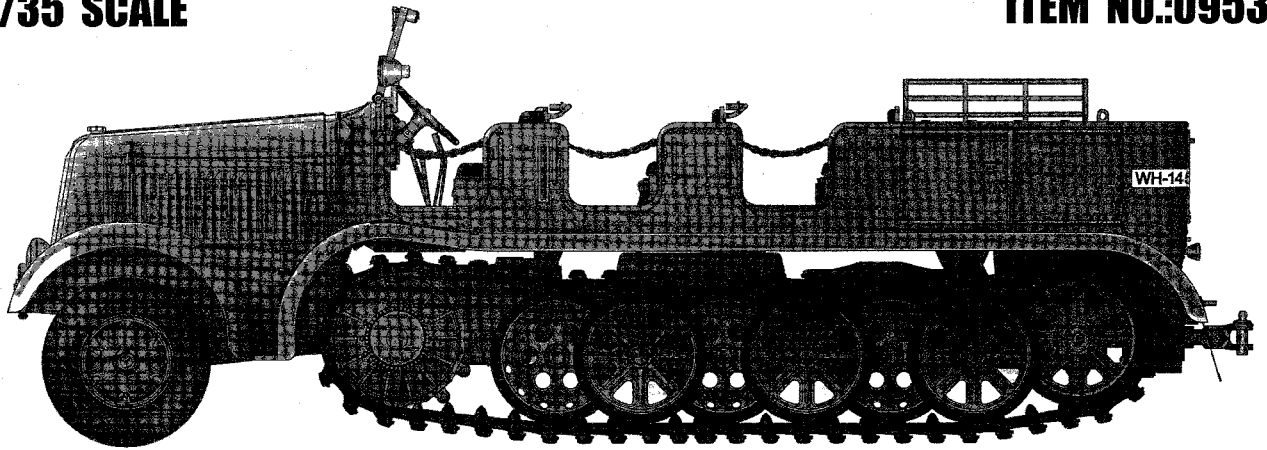


1/35 SCALE

ITEM NO.:09538



# Sd.Kfz.8 (DB9) Half-Track Artillery Tractor

## 德国Sd.Kfz.8(DB9)12吨半履带拖车

### READ BEFORE ASSEMBLY:

### 装配之前仔细阅读

- Study and understand these instructions thoroughly before beginning assembly
  - When needed, remove photo-etch parts carefully using a modeling knife or photo etch sprue cutter, being careful not to damage or lose small parts.
  - Take extra care in handling photo etch parts in order to avoid injury
  - Apply instant cement sparingly to photo etch parts where instructed
  - Tools recommended(not included in kit):Plastic and instant cements, sprue cutters,long nose pliers,modeling knife, small files, tweezers, pin vise & scissors. Soft cloth and sandpaper will also assist in construction
  - Glue and paint are not included in the kit. Use plastic cement and hobby paints only. Color guide for purchasing paint is included in the kit.
- 小心用模型锉刀锉平所有零件表面的注射浇口。
  - 小心用刀片切下蚀刻片零件，不要遗失小零件。
  - 用强力快干胶水粘合蚀刻片零件和金属轴。过量快干胶水使用可能导致可动零件会粘住，小心涂胶。
  - 取蚀刻片时应特别注意安全，防止利边划伤手指。
  - 某些零件表面需贴水上贴纸，请选择在装配的同时进行。
  - 推荐模型工具(自备)：胶水，水口剪刀，长咀钳，刀片，锉刀，镊子，钳，钻，剪刀，瞬间快干胶。
  - 软布同砂纸同时也应该是必备工具。
  - 请使用塑料胶水和油漆，模型内不含。



配重  
Weight



使用强力胶  
Cyanoacrylate glue



钻孔  
Make hole



切除  
Cut / Remove



贴纸  
Decal



锉平  
File / Sand



选择  
Option



不涂胶水  
No cement



弯曲  
Bend



先装  
Install it first

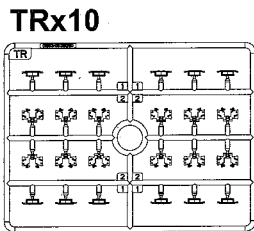
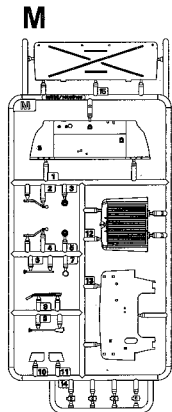
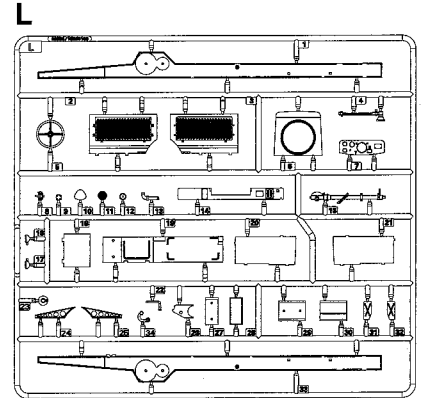
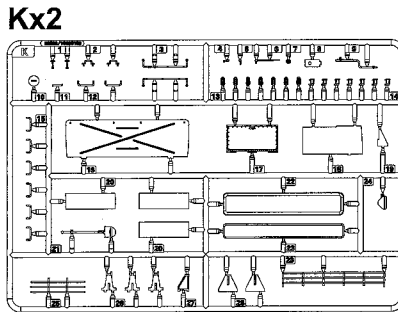
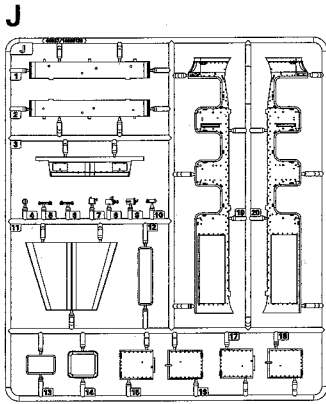
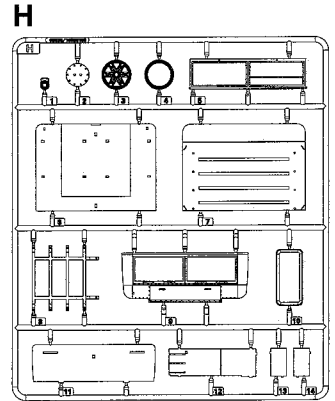
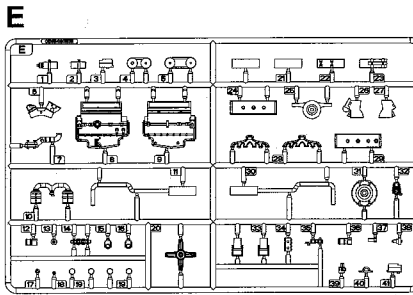
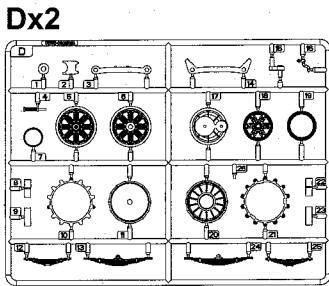
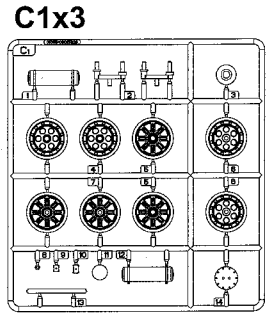
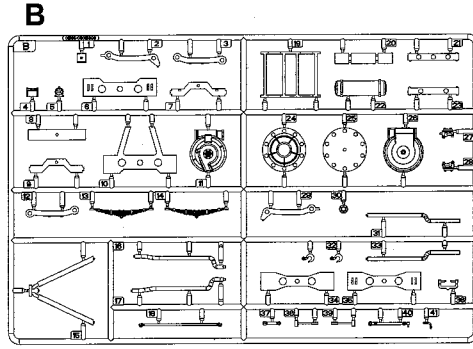
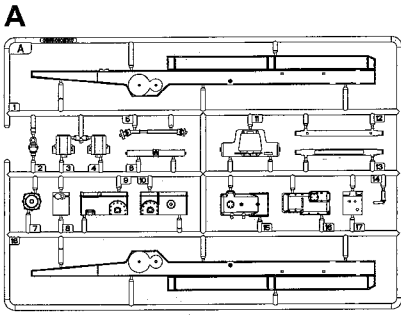
### 水贴纸的使用:

- 1.从水贴上剪下印花;
- 2.将印花放入温水中浸10秒, 然后放在干净布上。
- 3.拿着印花纸板将印花移到模型上;
- 4.手指蘸水将印花移到适当的位置;
- 5.用软布轻压印花直至水干, 气泡消失

### DECAL APPLICATION

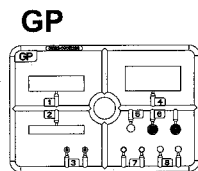
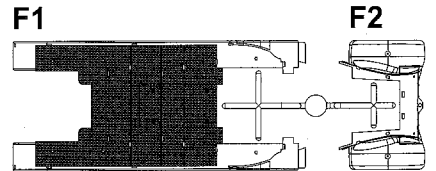
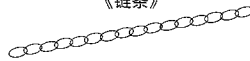
- 1.Cut decals from sheet as needed
- 2.Dip the decal in warm water for about 10 seconds and then place on soft clean cloth.
- 3.Hold the decal backing sheet edge and gently slide the decal onto the model in its proper position.
- 4.While still wet,decal can be adjusted for better fit on model by dampening it gently with your finger.
- 5.When placed in the proper position,gently press decal down with a soft cloth until excess water and air bubbles are gone.
- 6.Allow decal to dry completely before handling model

部品图  
Parts



《棉绳》  
Rope

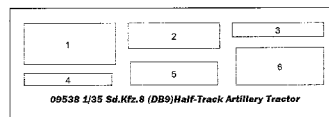
Chain  
《链条》



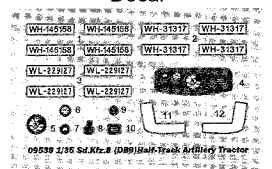
《轮胎》x3  
Tyre

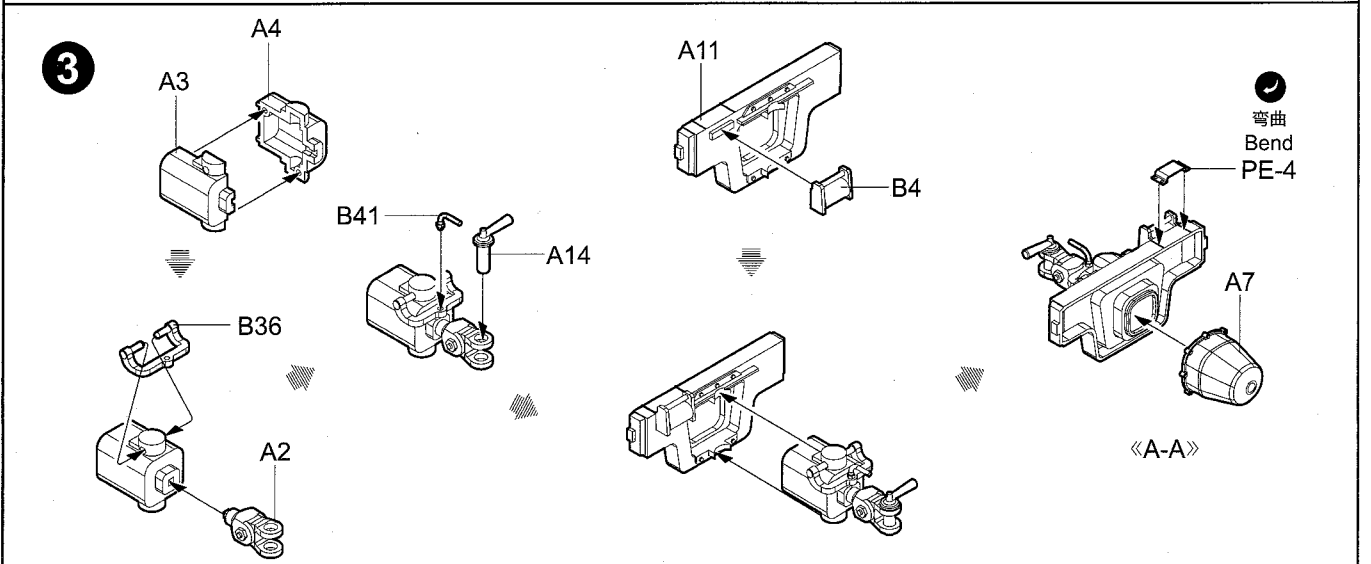
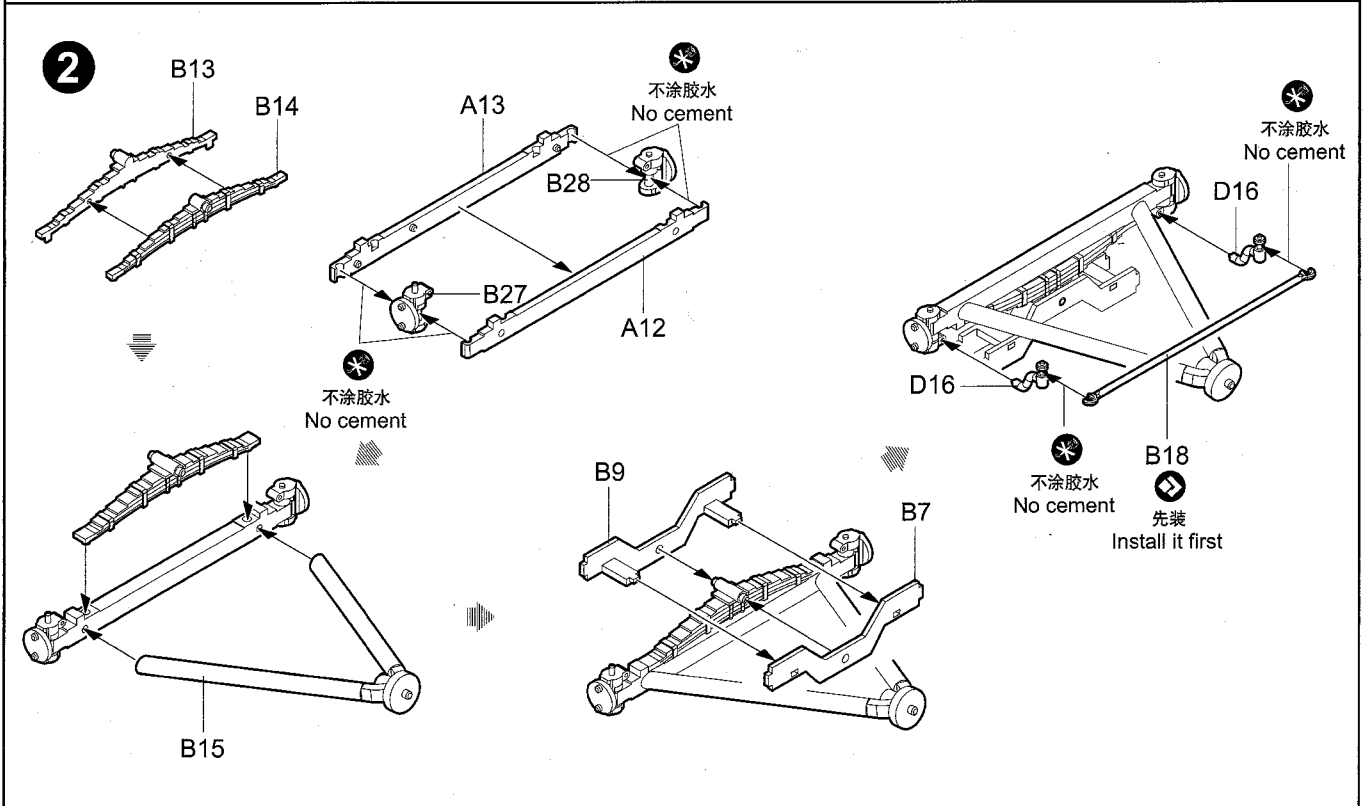
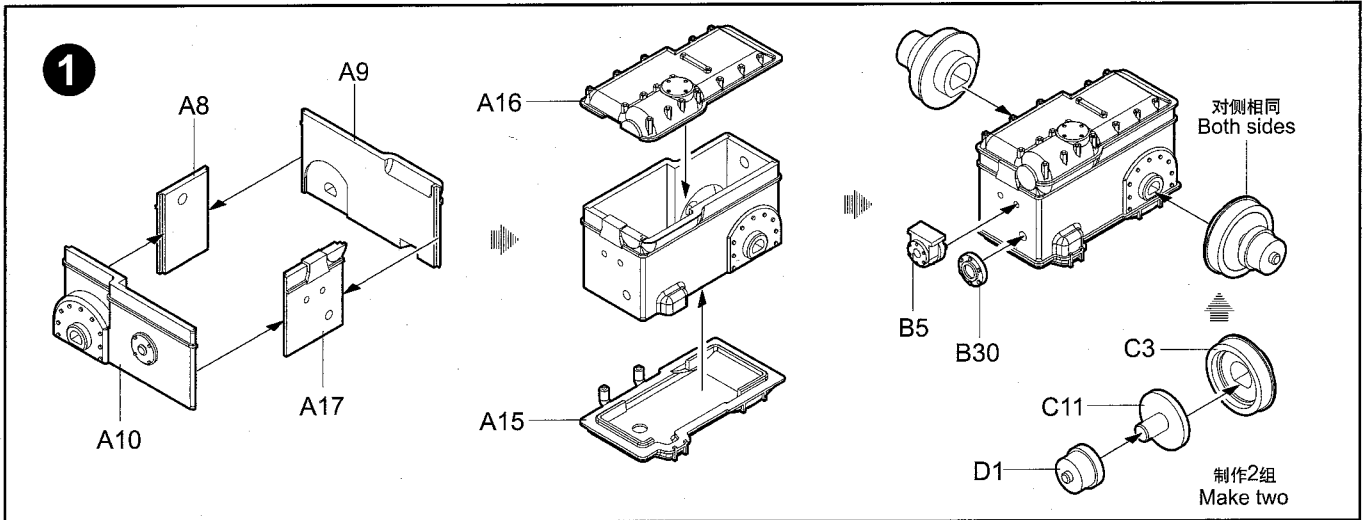


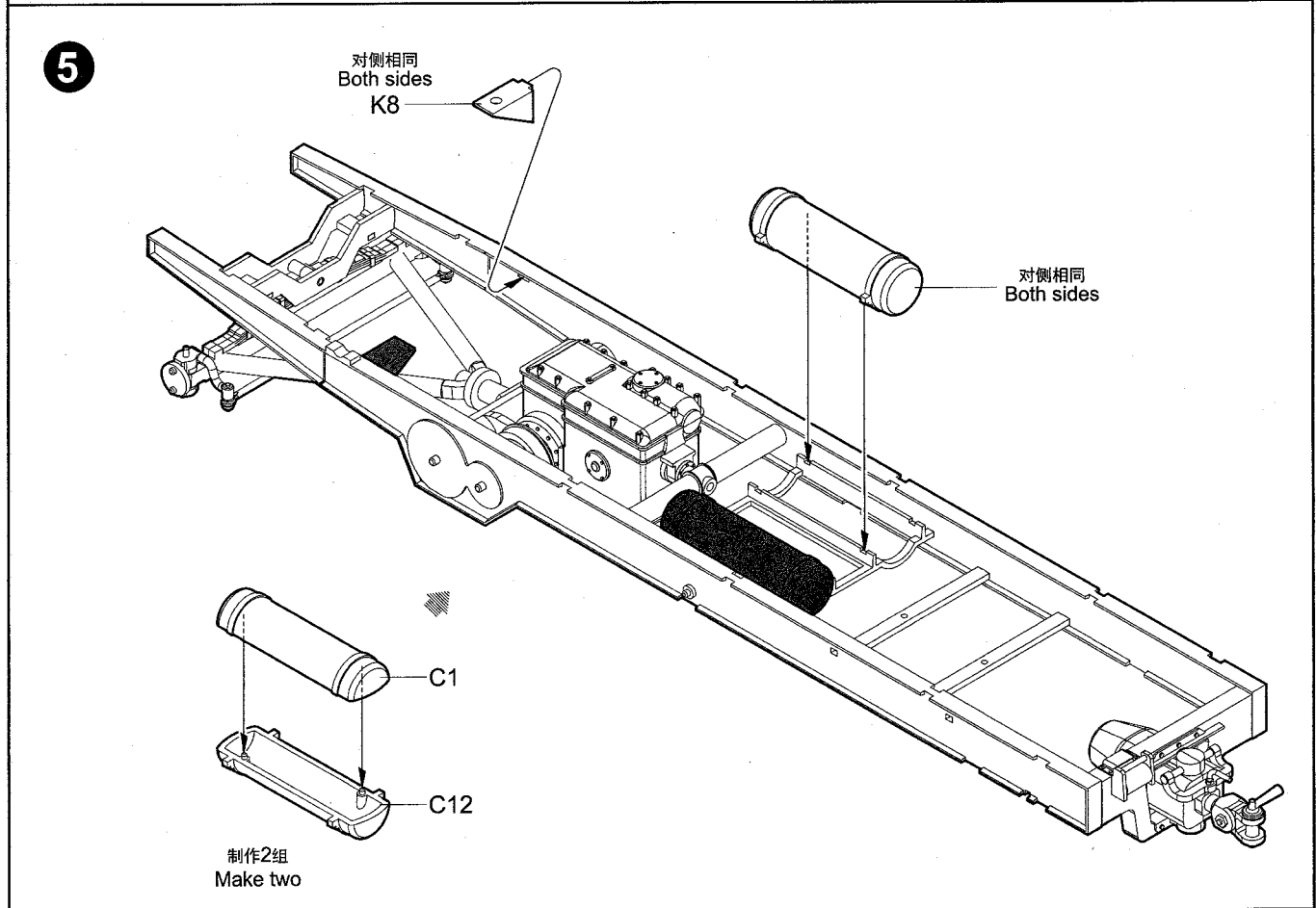
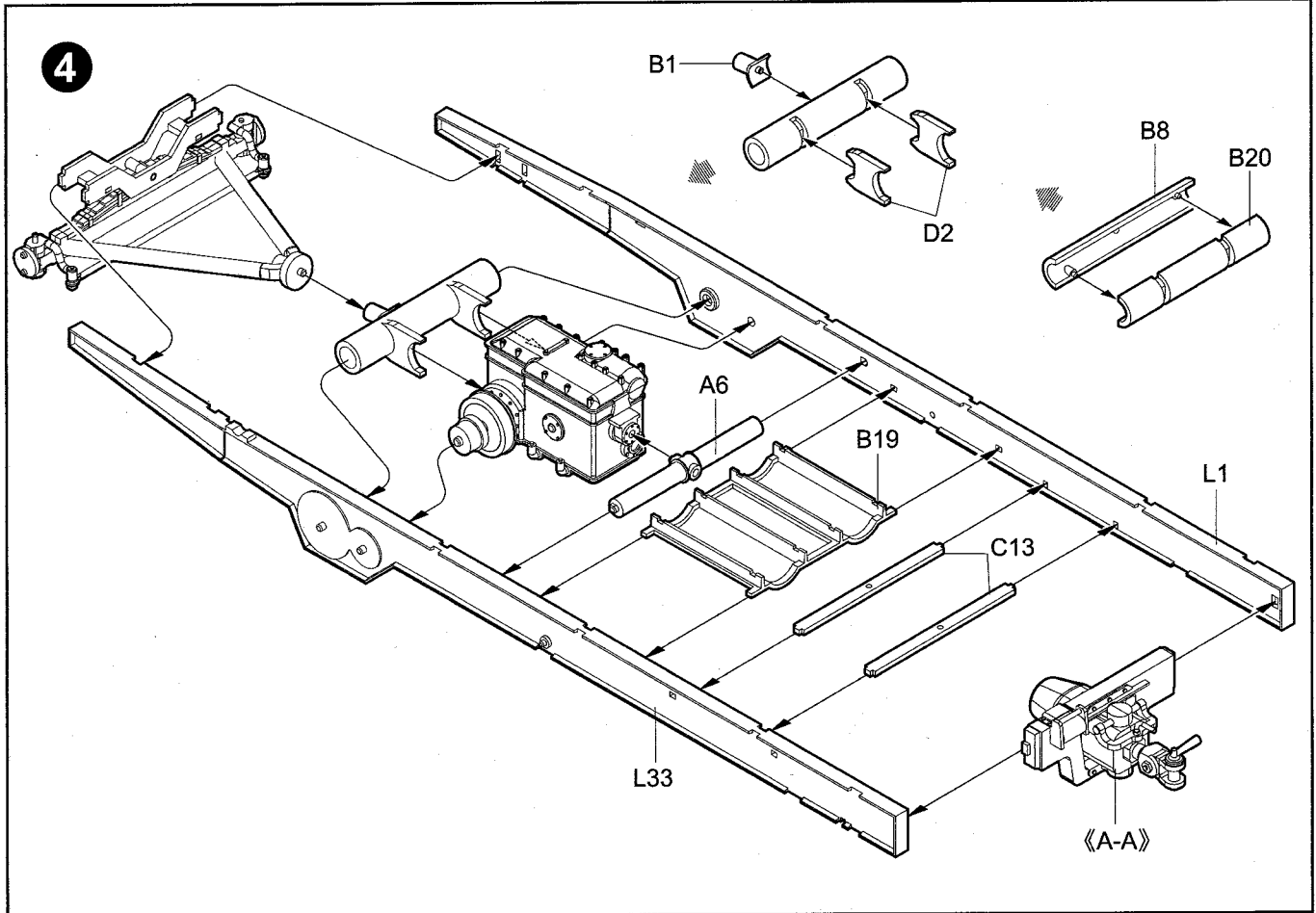
《遮盖纸》  
Die-cut mask



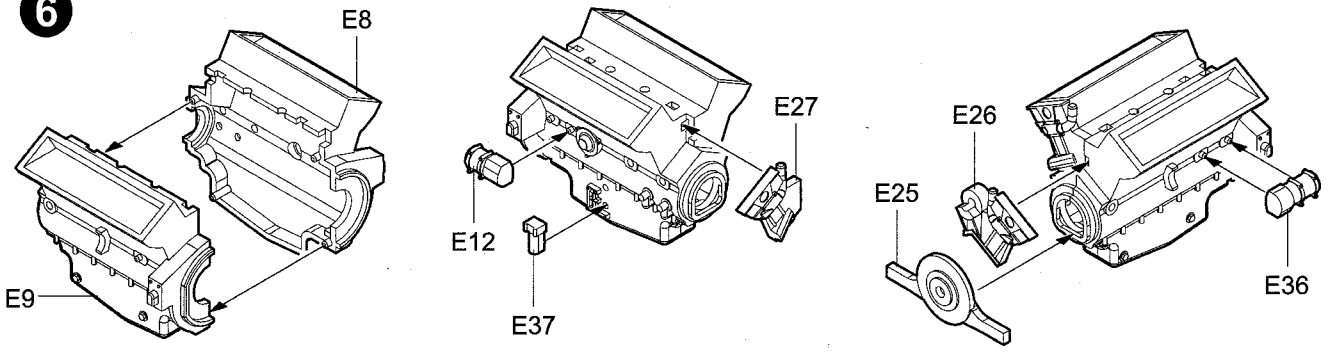
《水贴》  
Decal



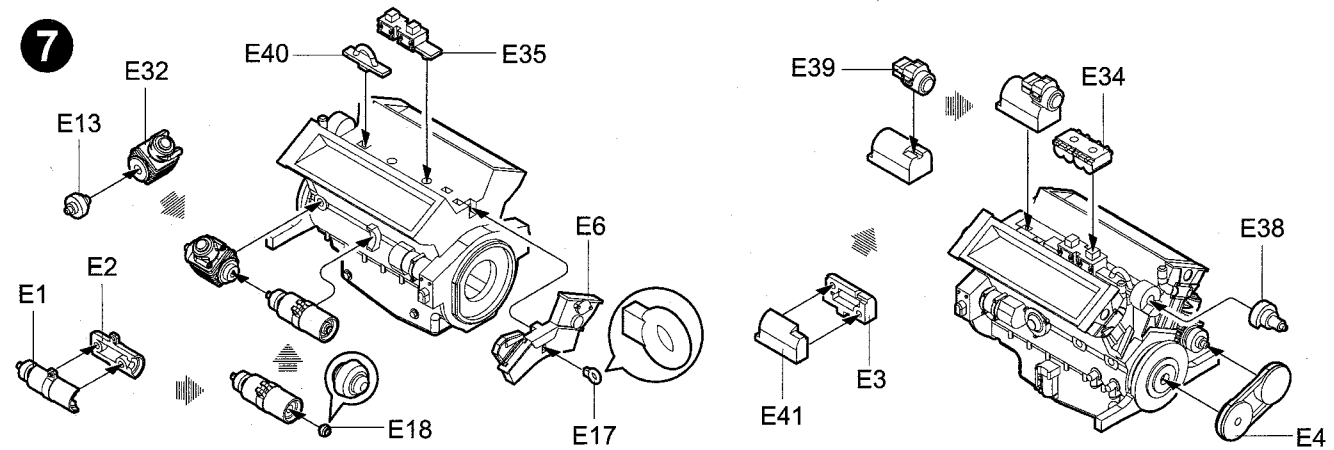




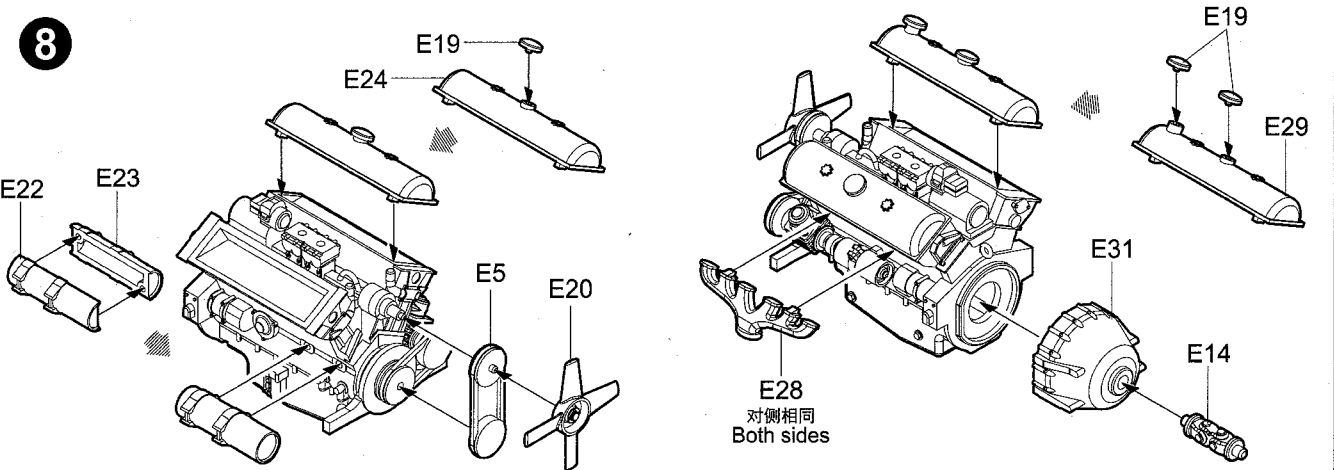
6



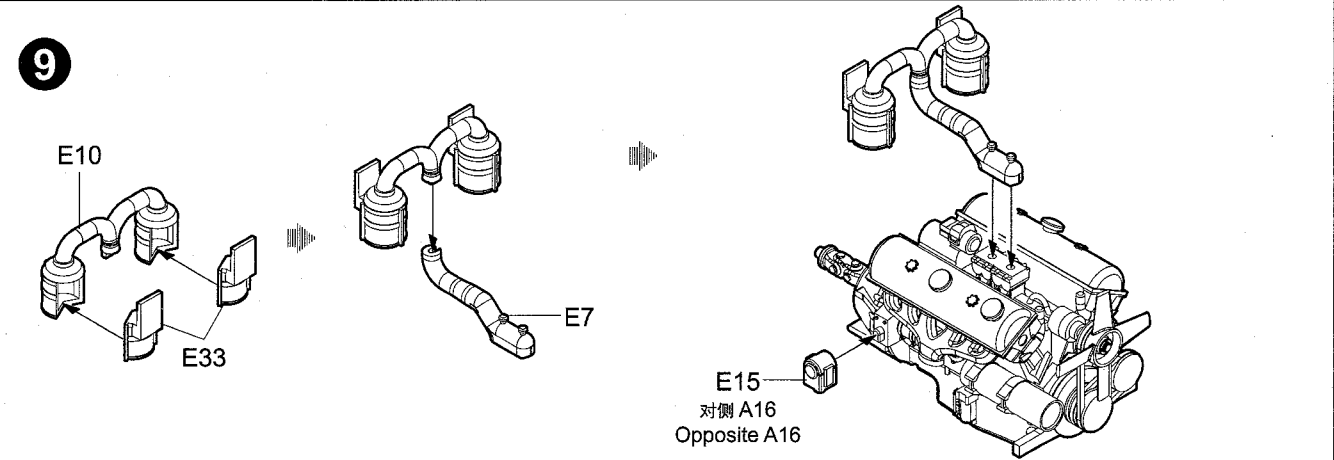
7



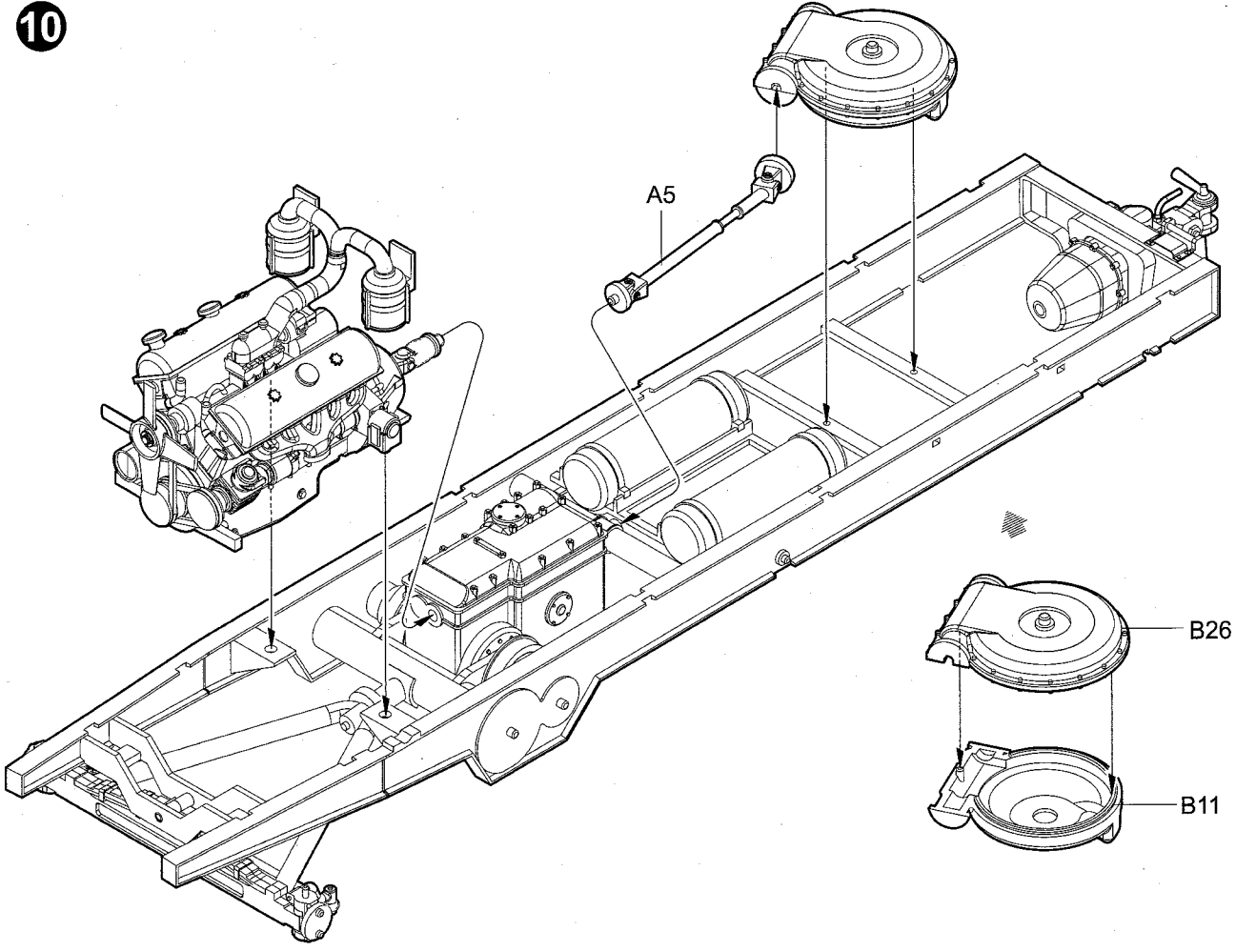
8



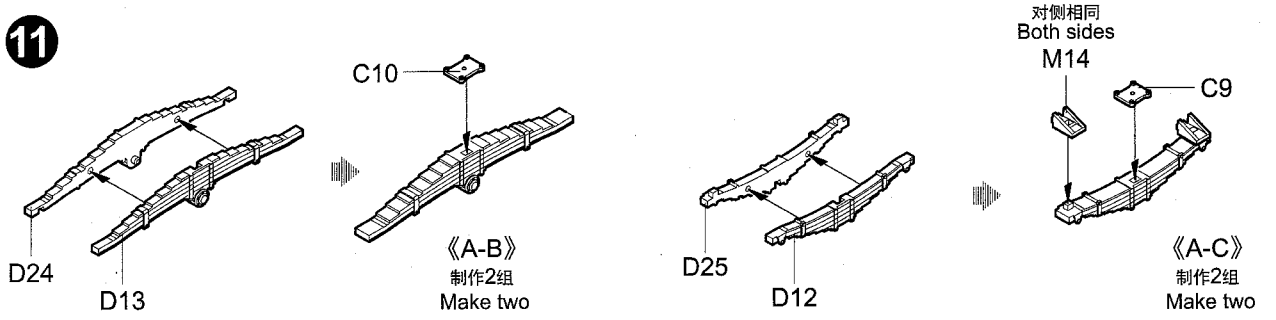
9



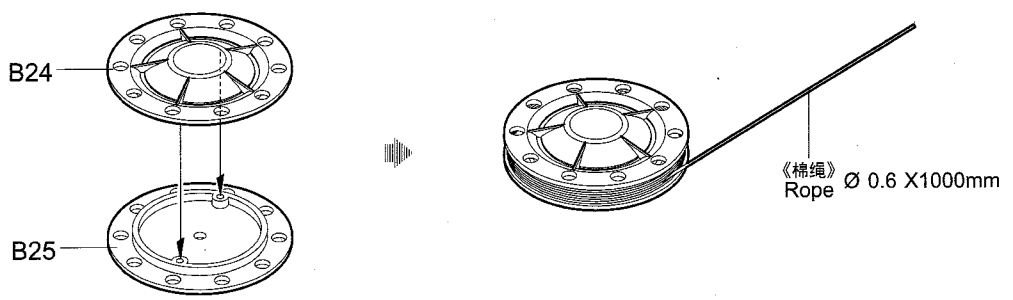
10



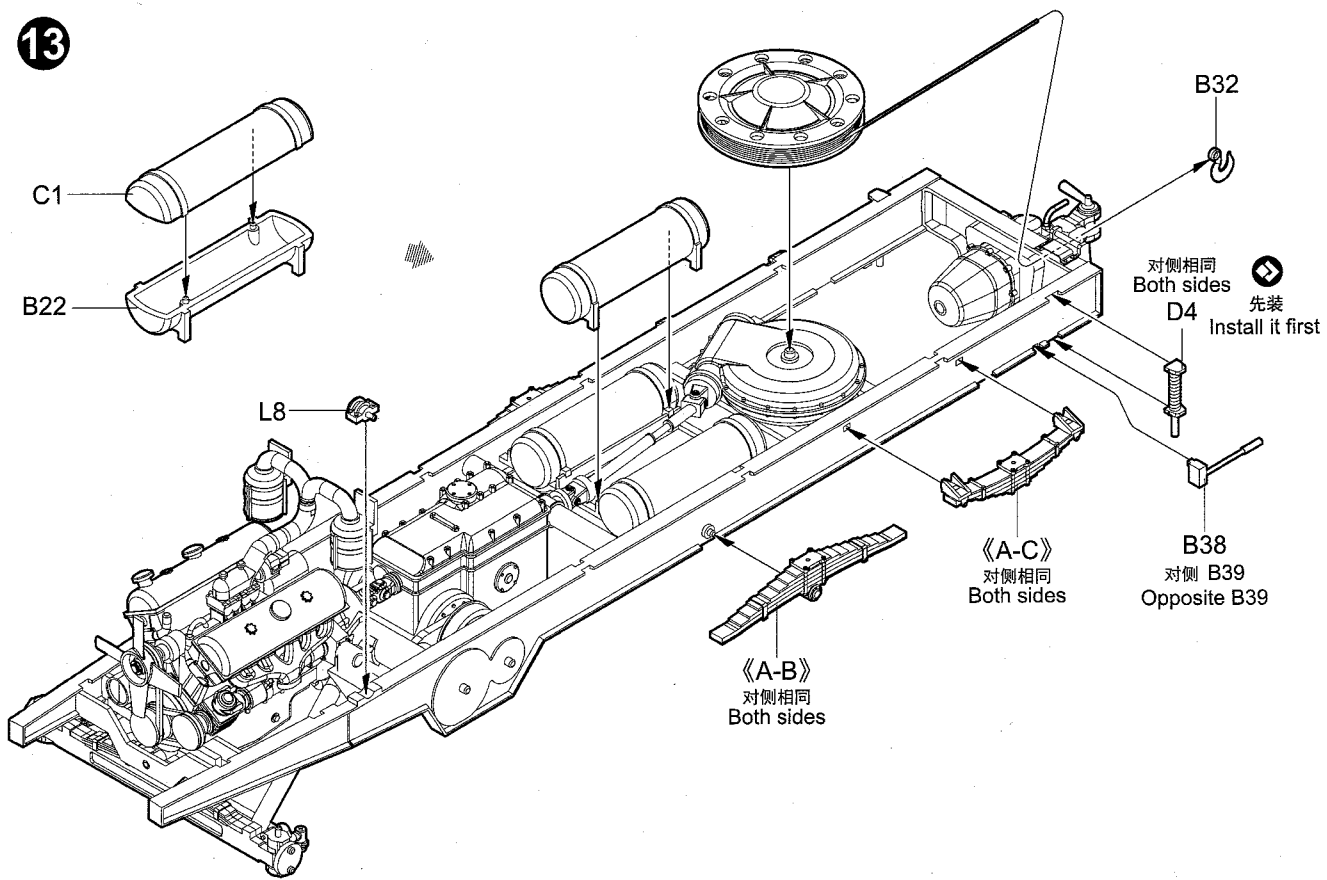
11



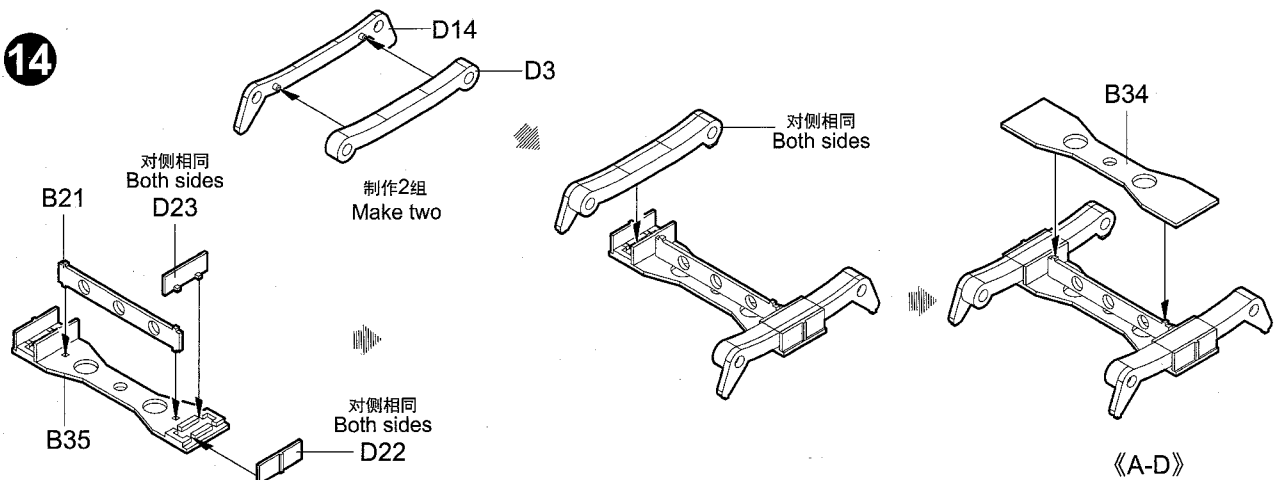
12



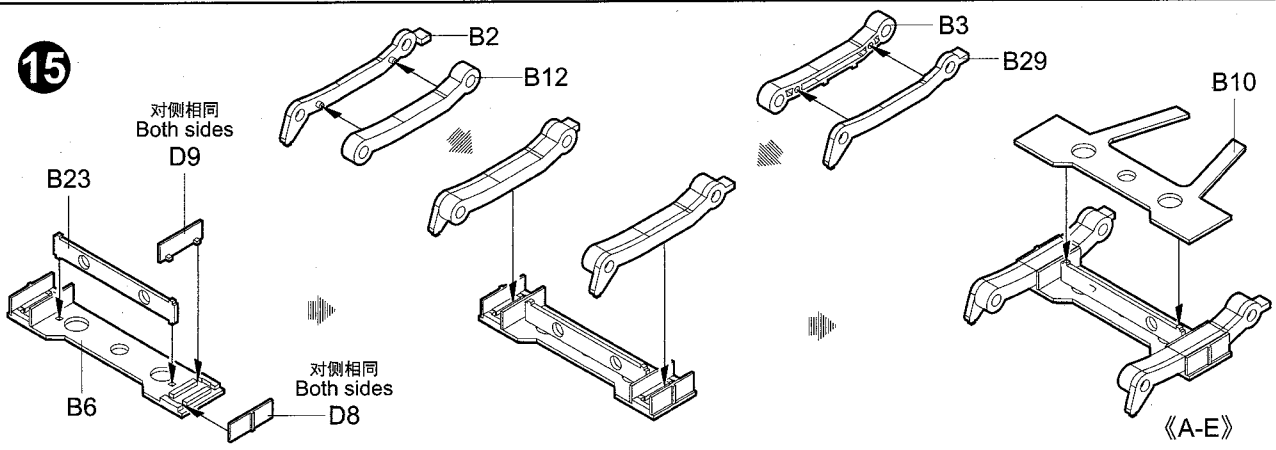
13



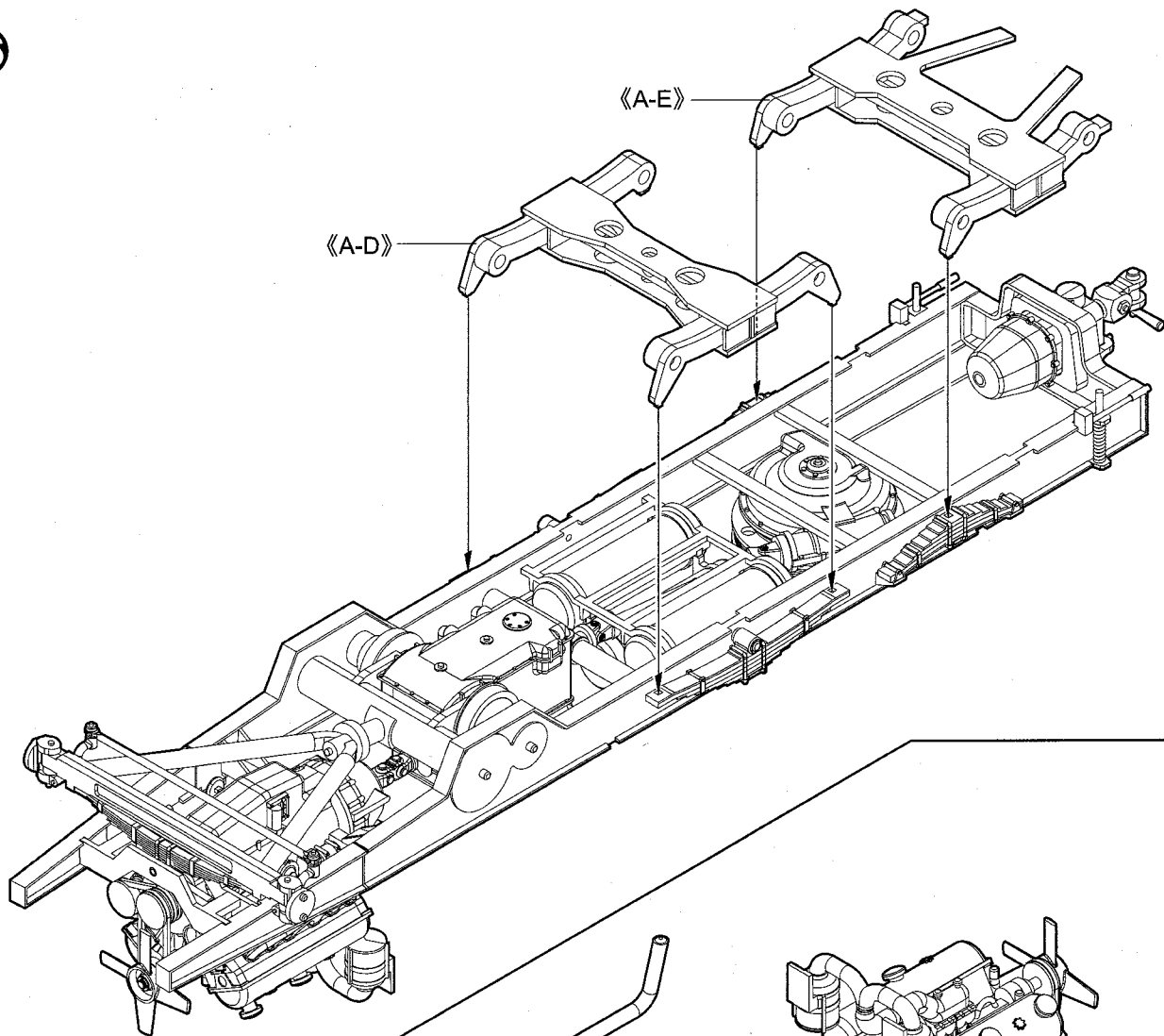
14



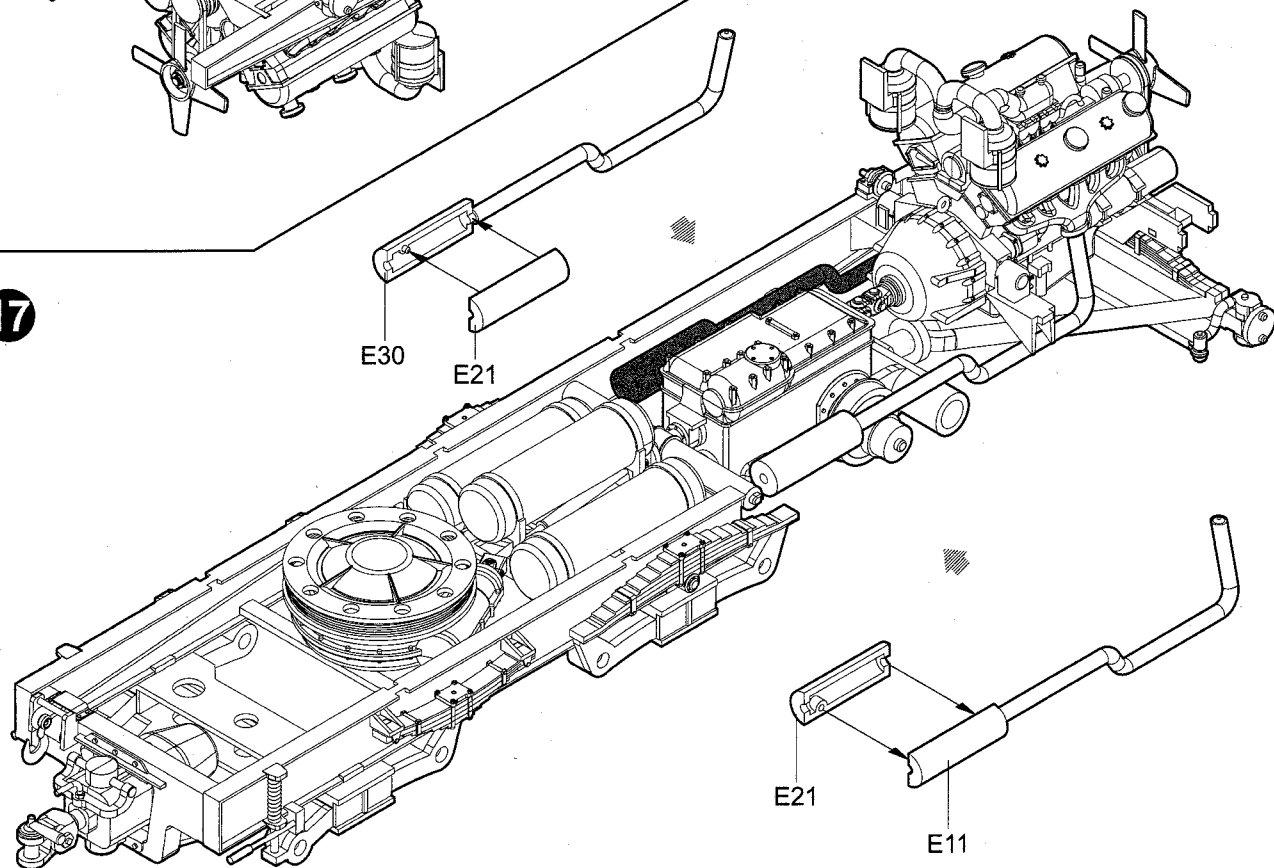
15



16

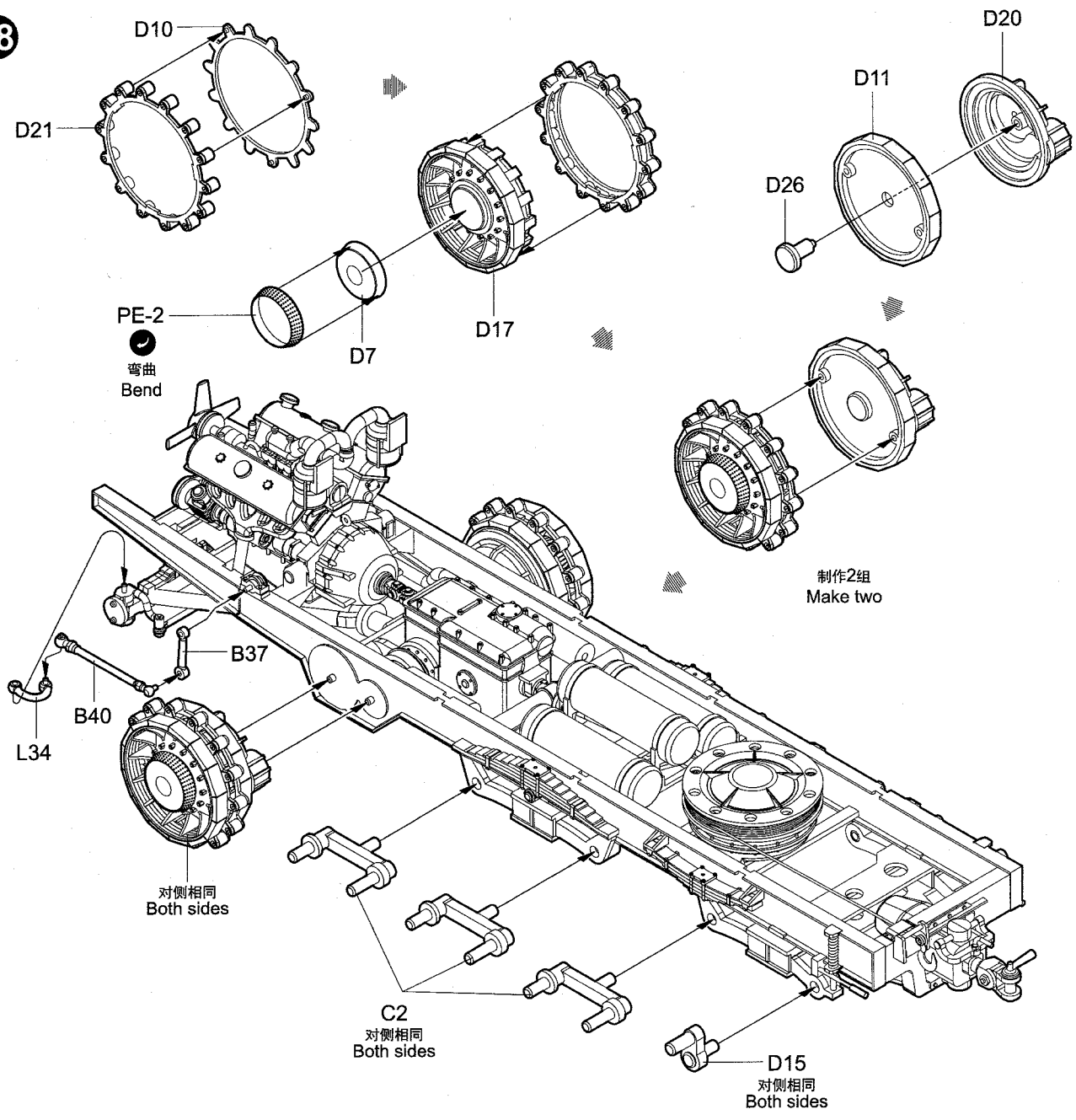


17

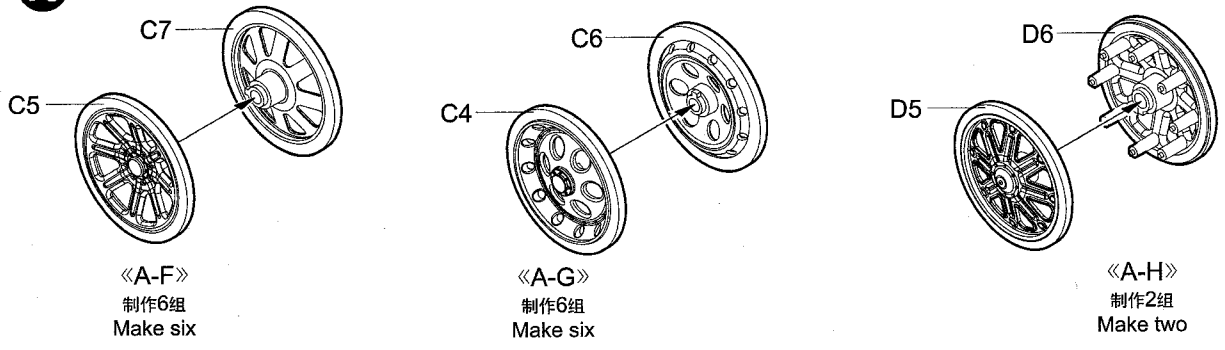




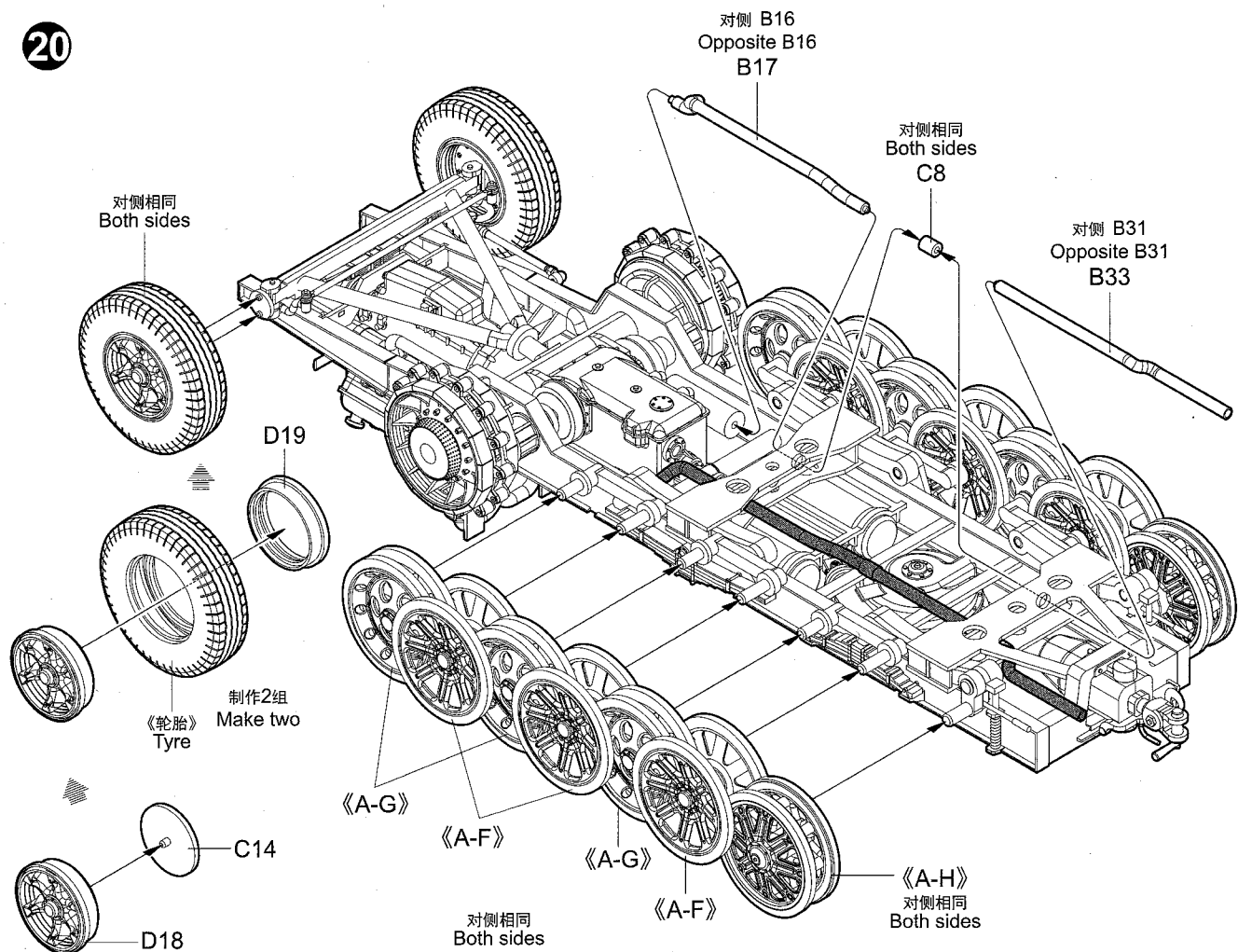
18



19

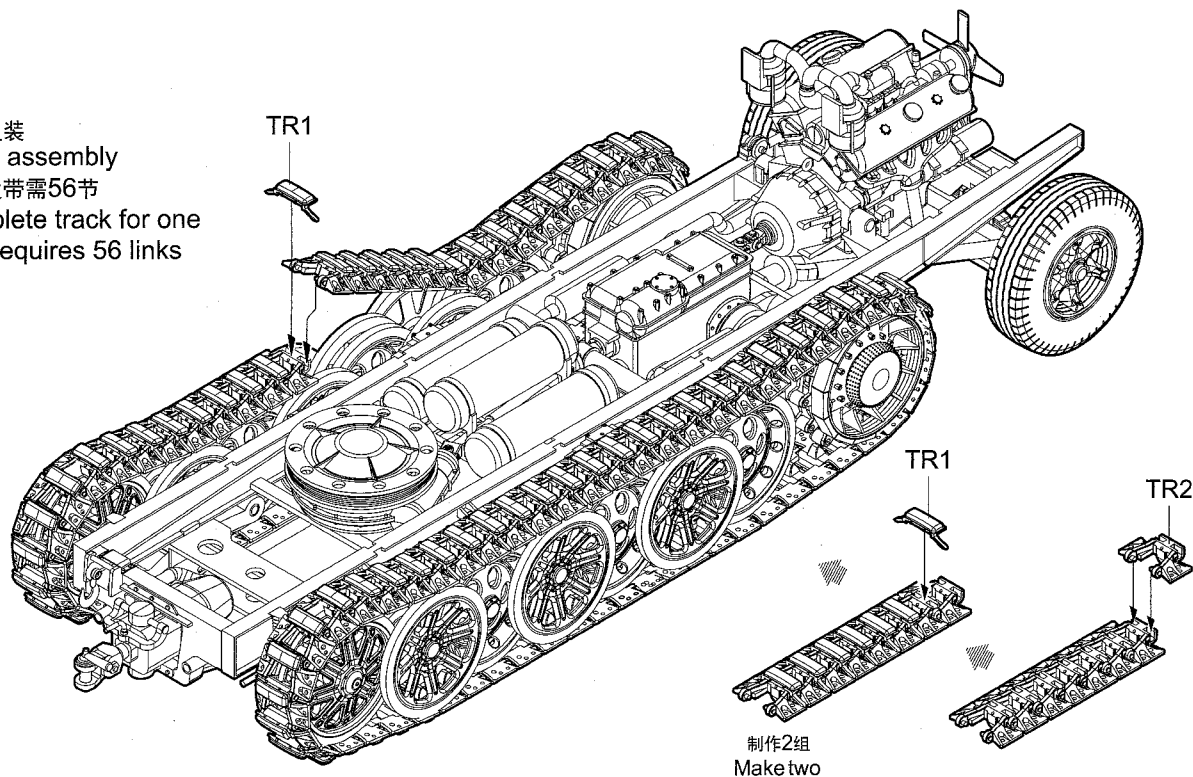


20

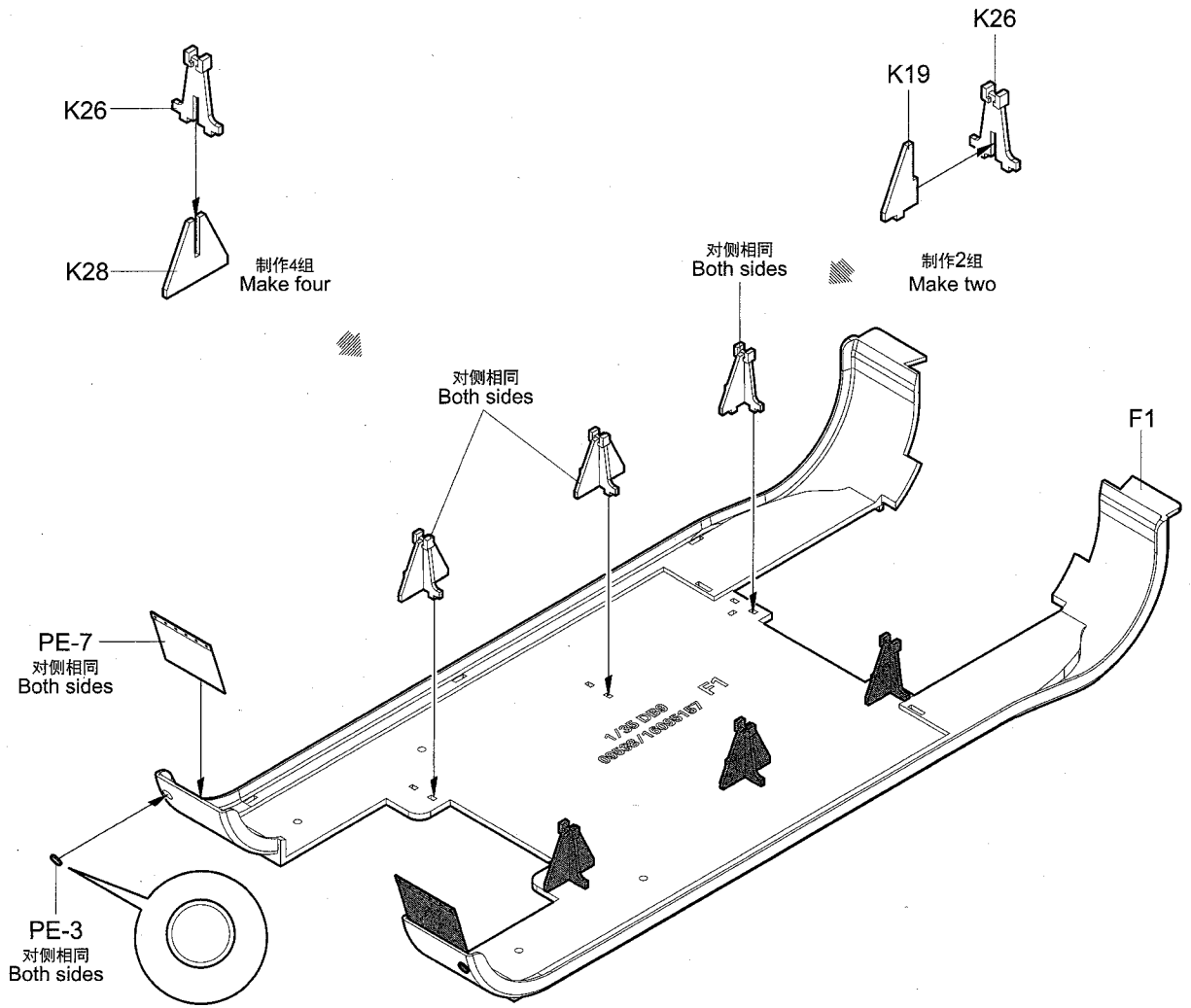


21

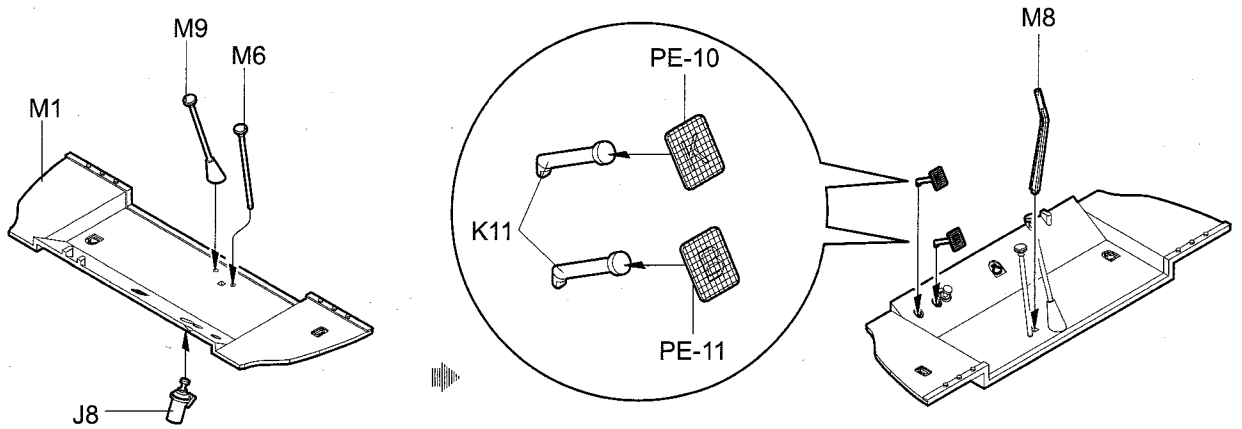
履带组装  
Track assembly  
单侧履带需56节  
Complete track for one  
side requires 56 links



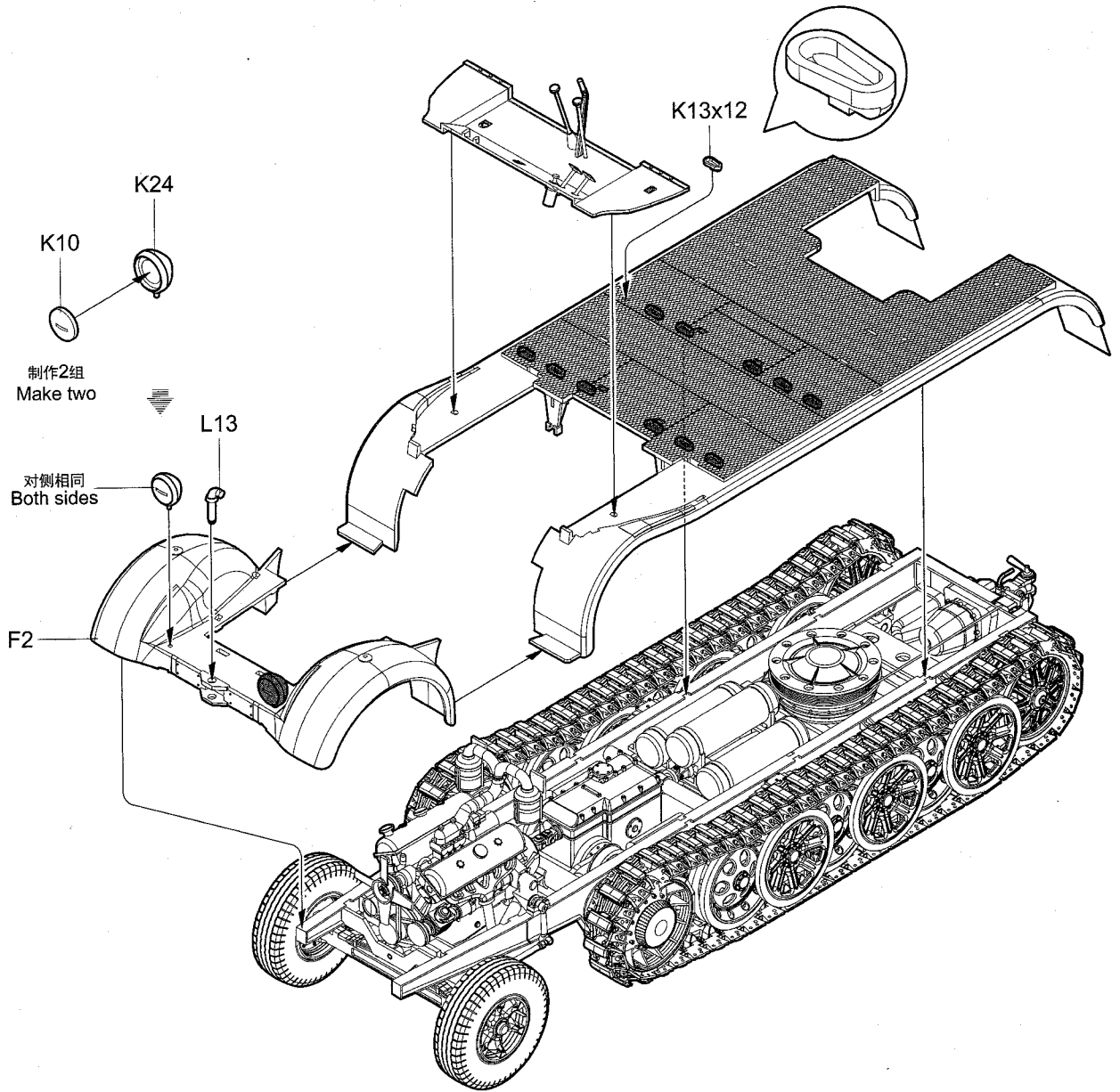
22



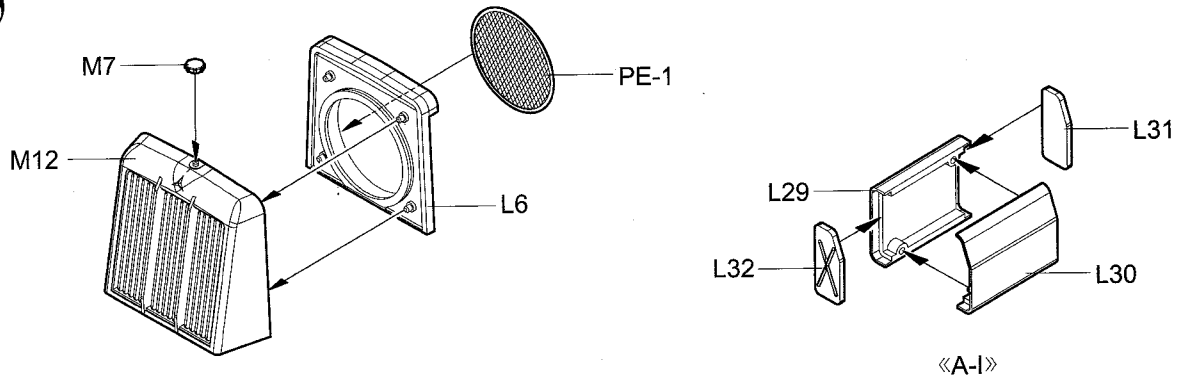
23



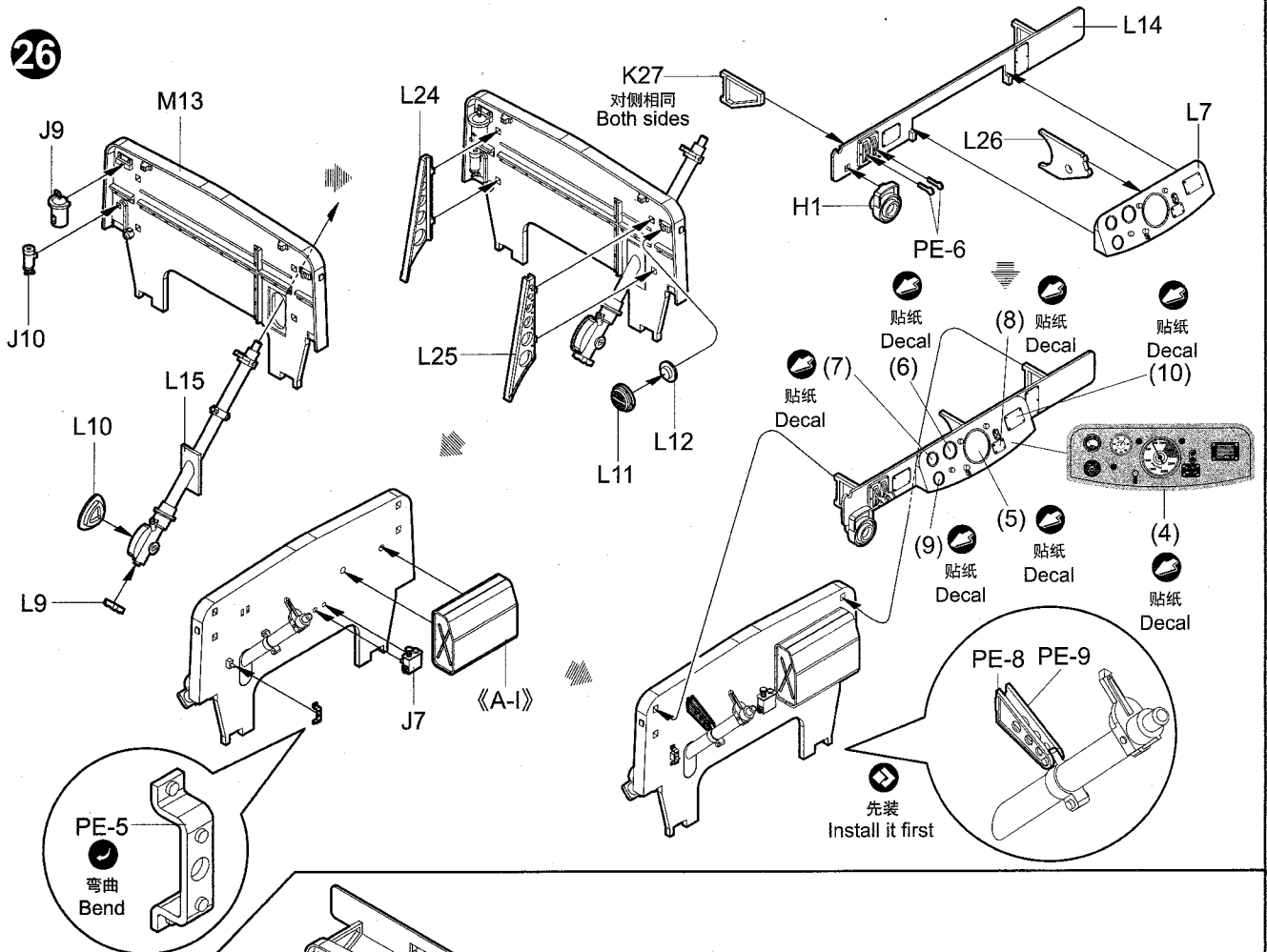
24



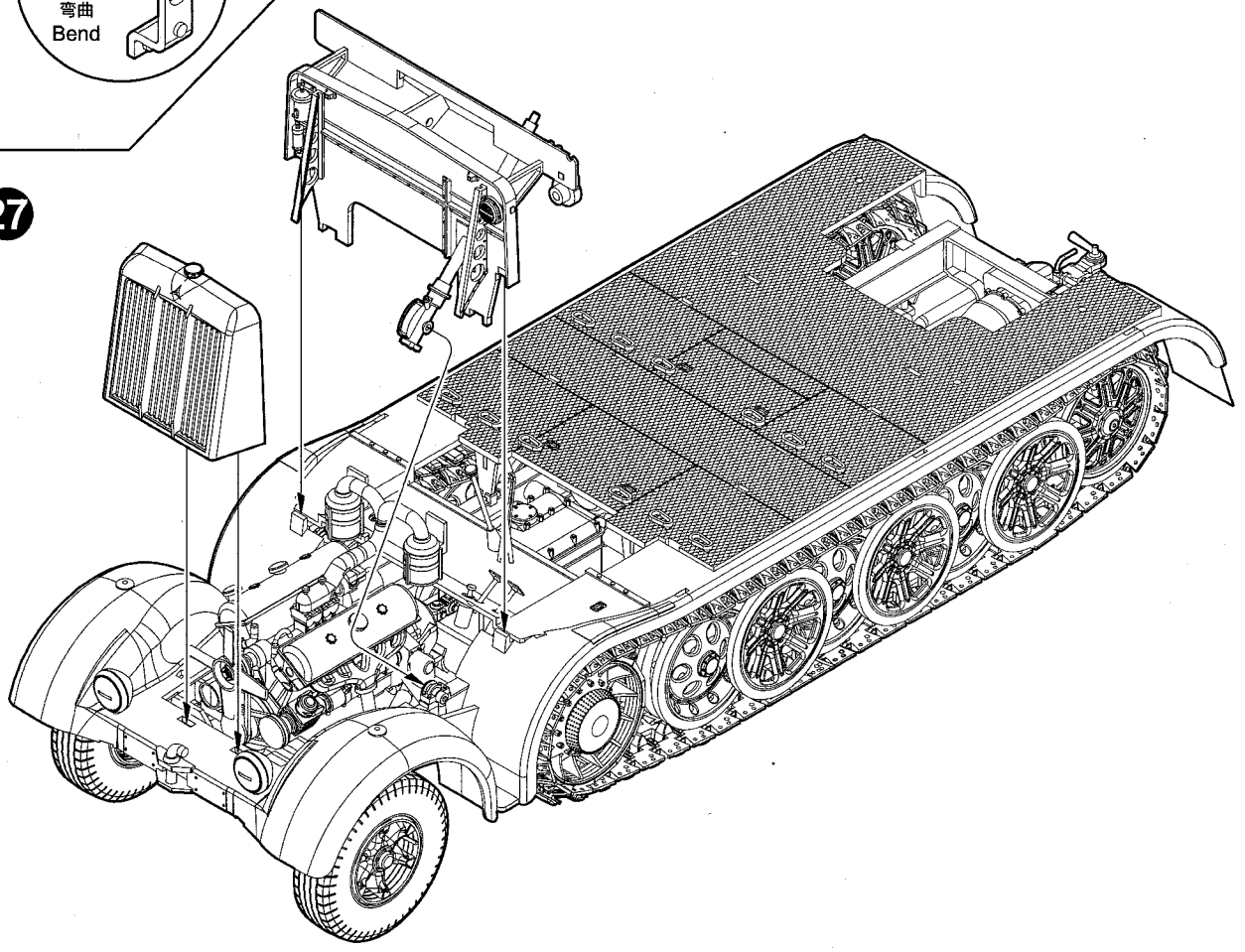
25



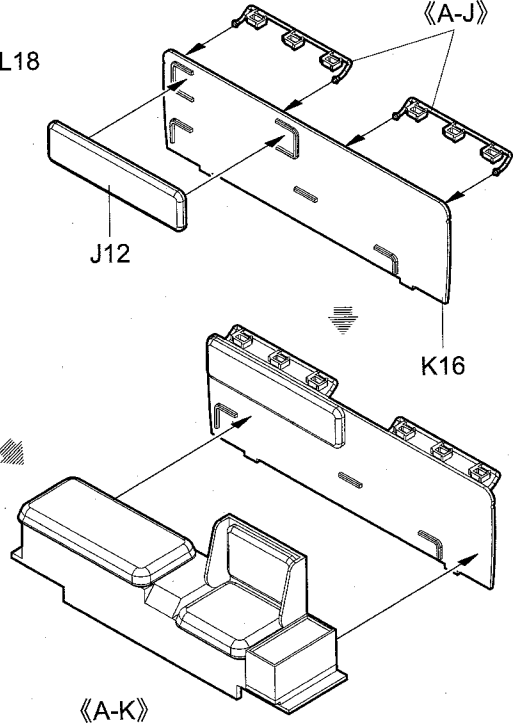
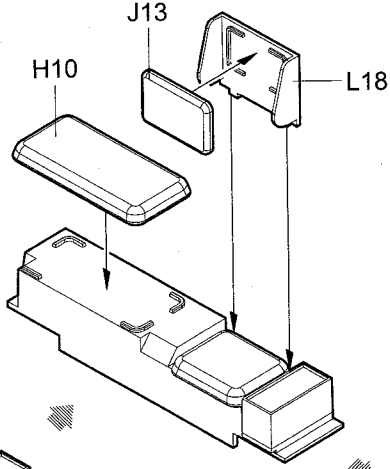
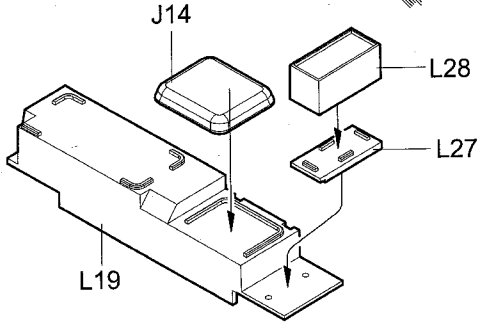
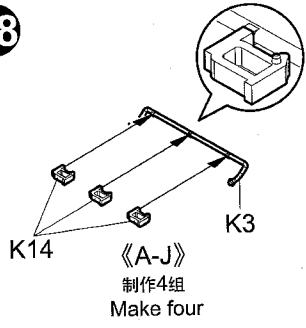
26



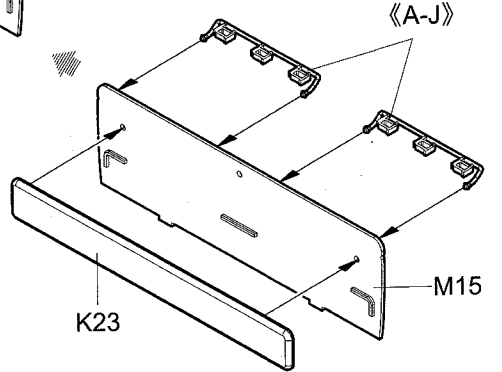
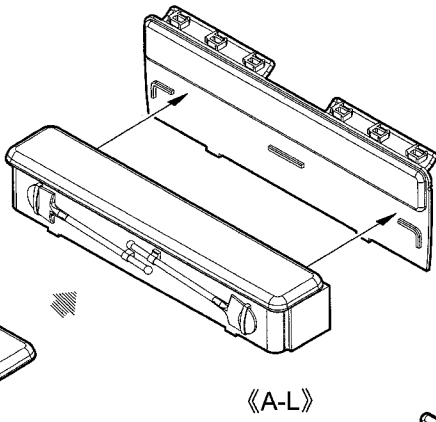
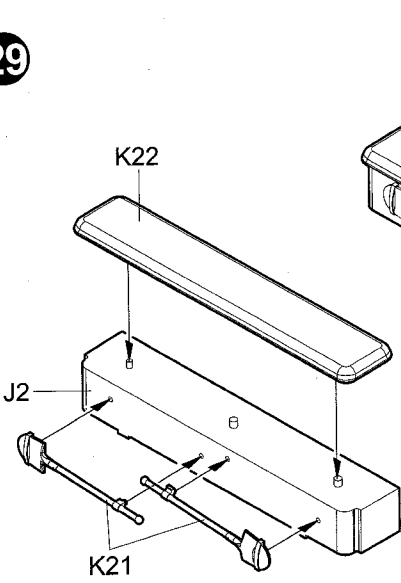
27



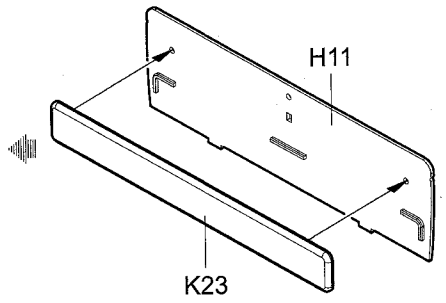
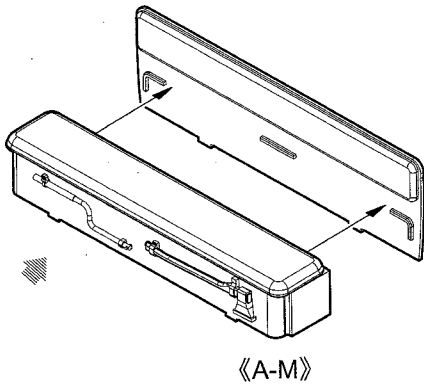
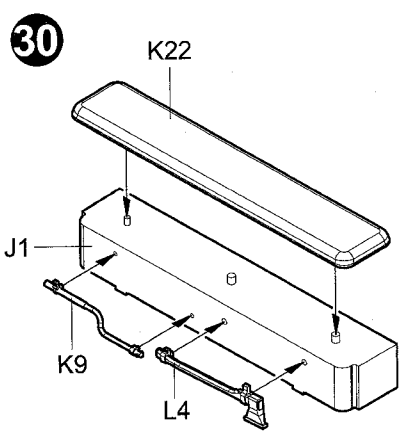
28

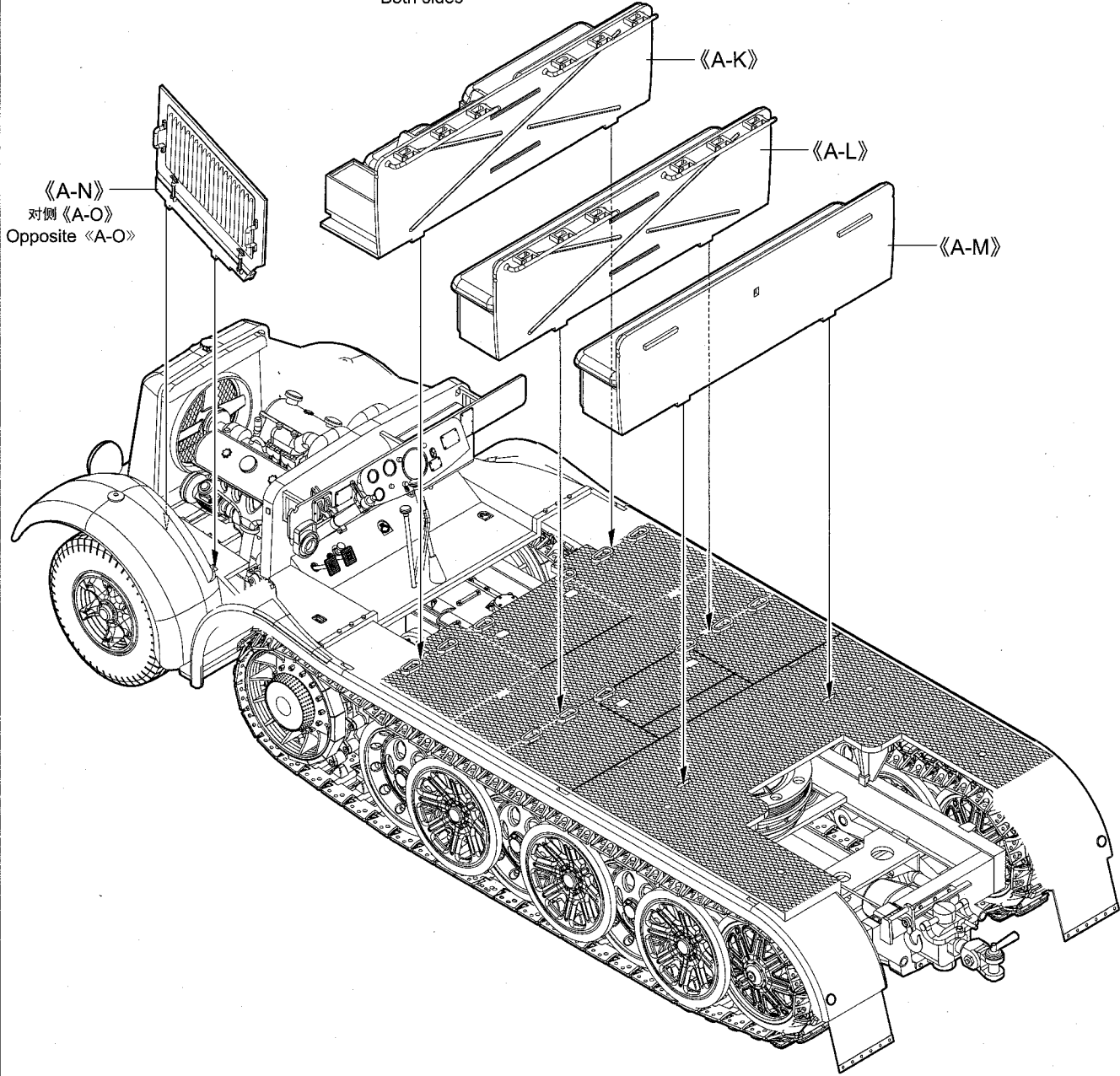
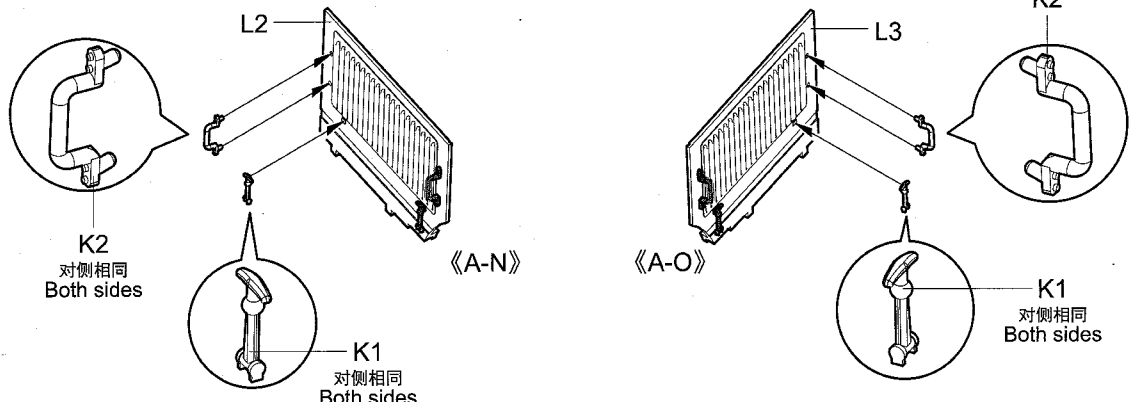


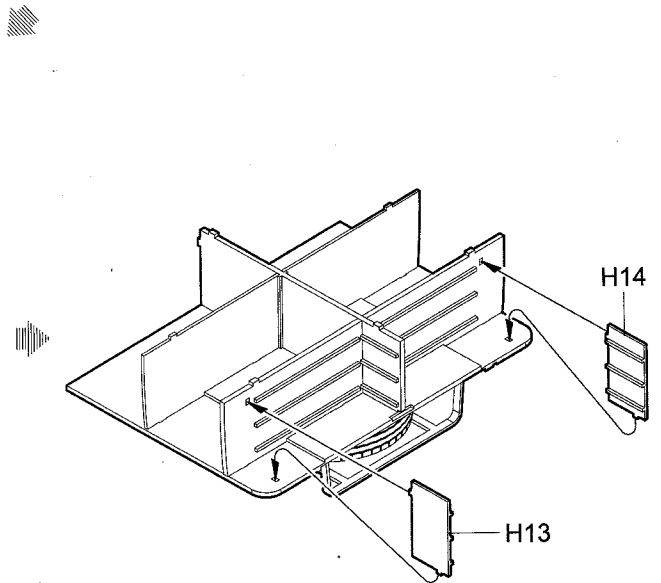
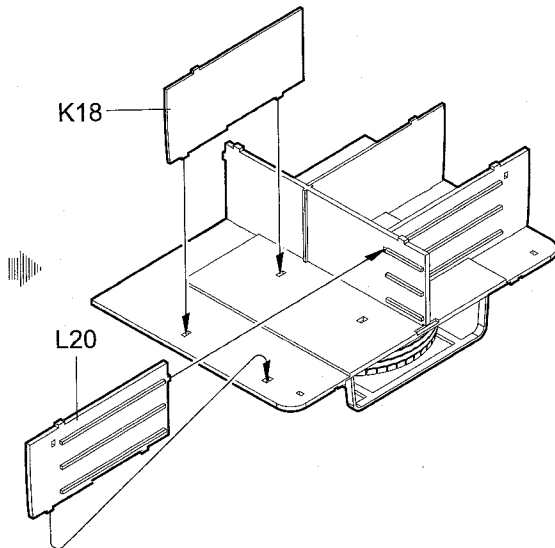
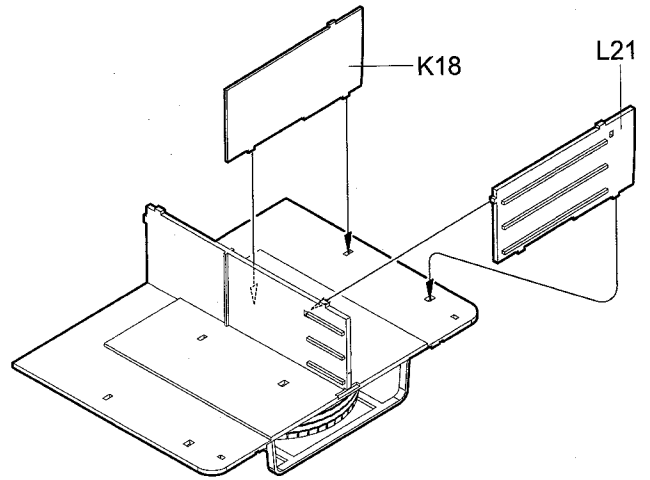
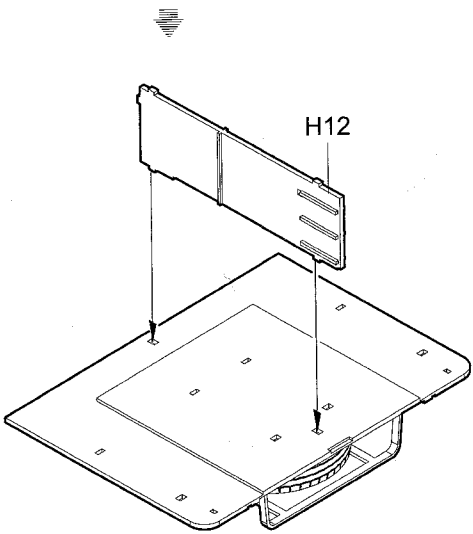
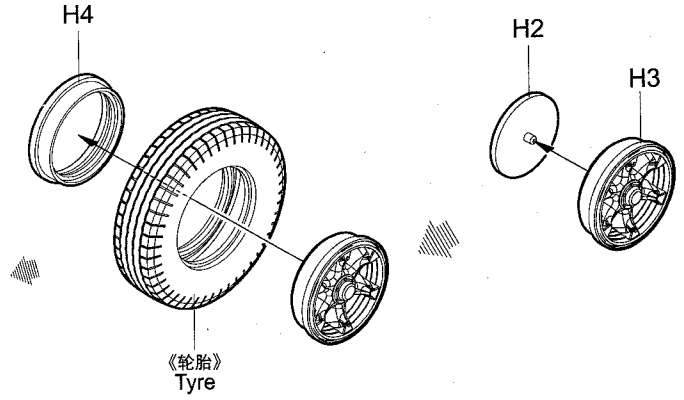
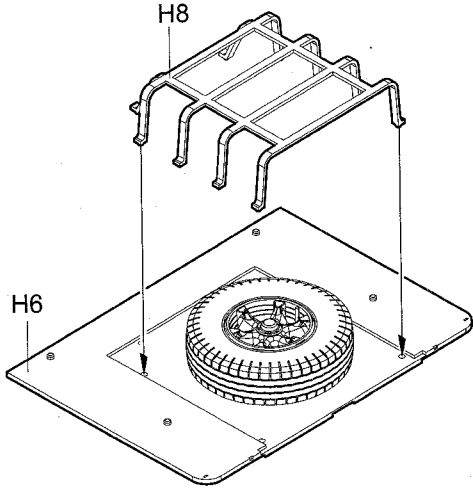
29



30

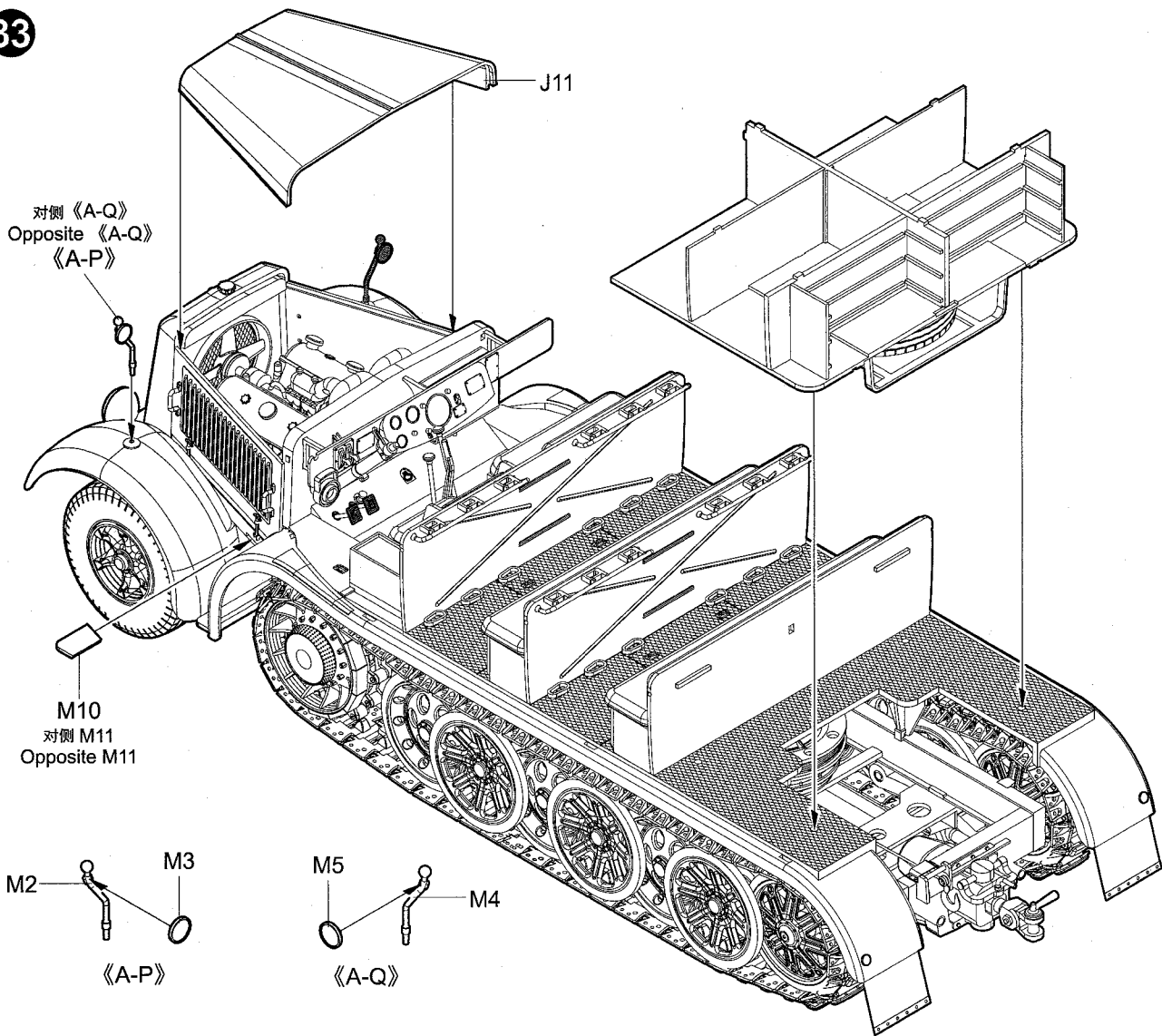




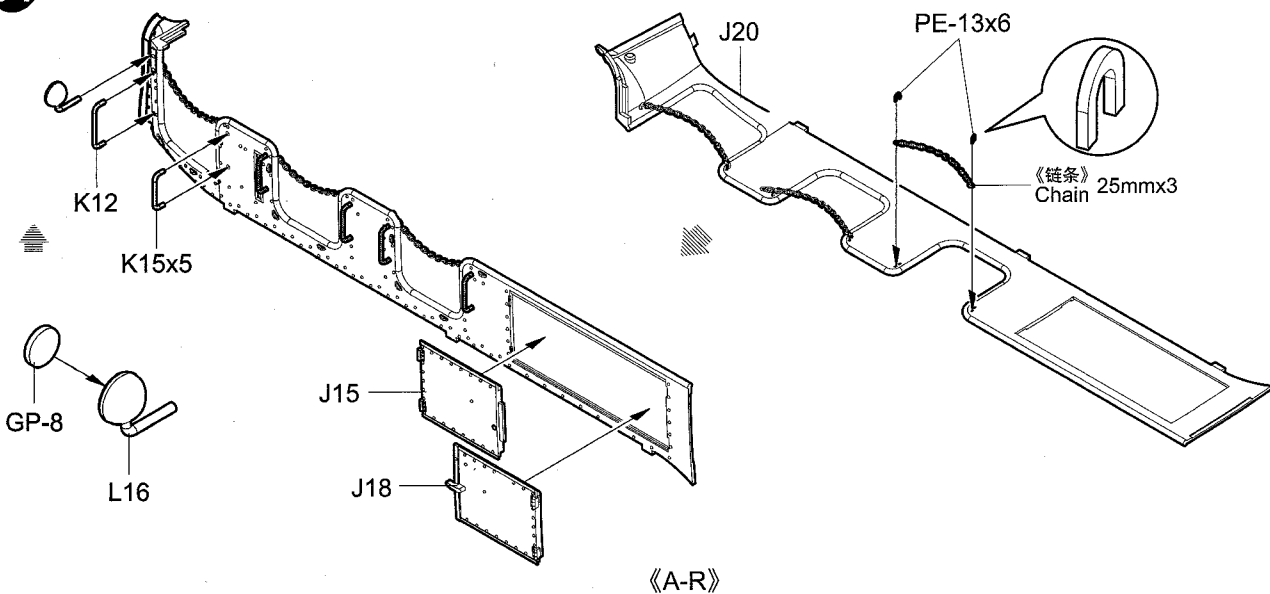




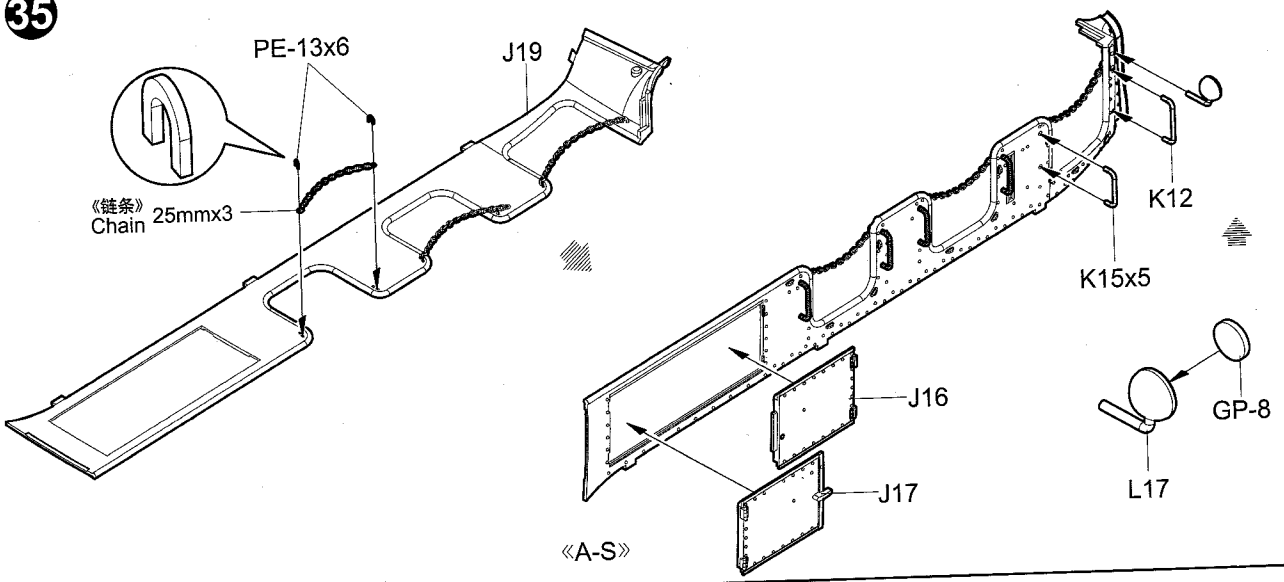
33



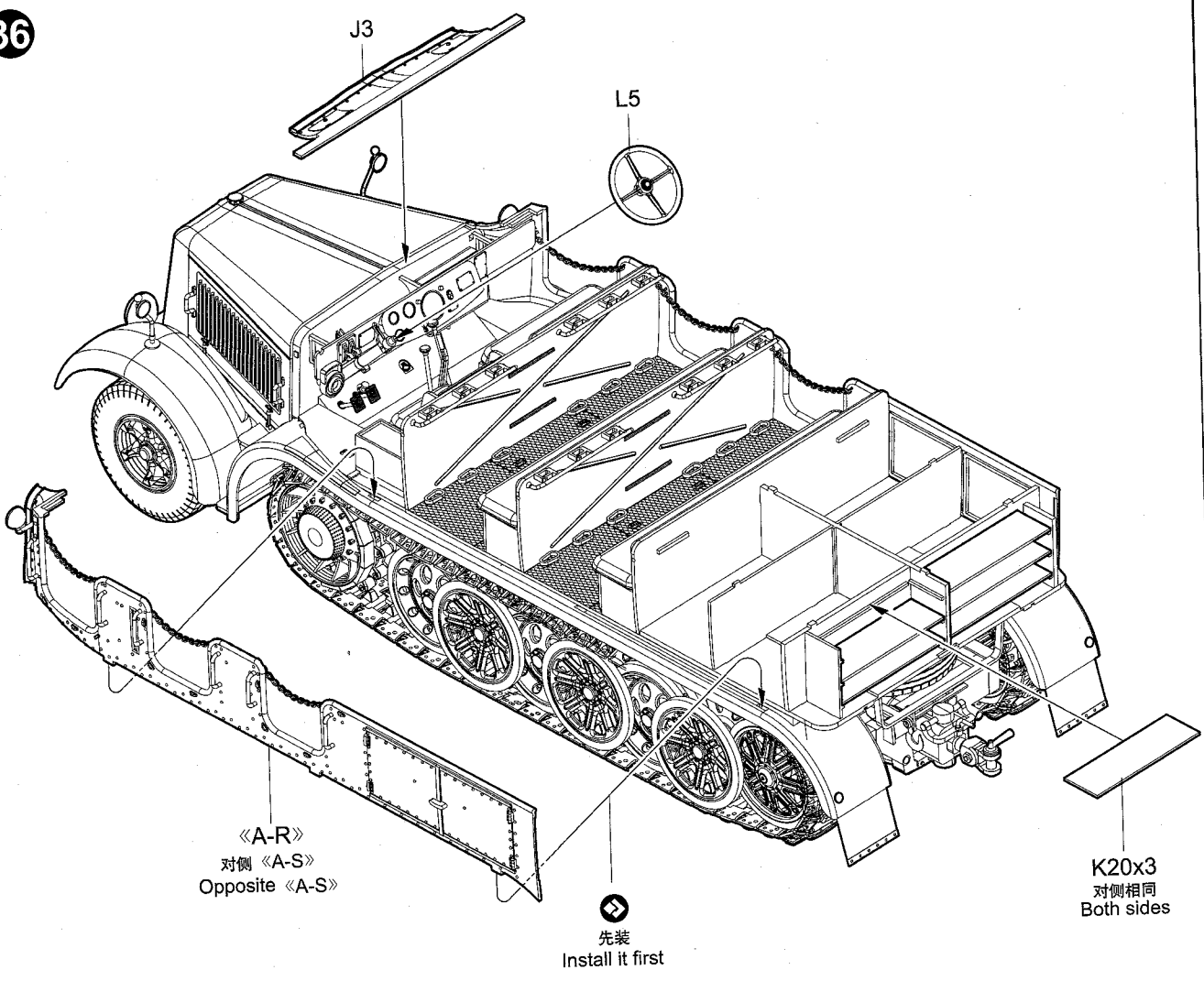
34

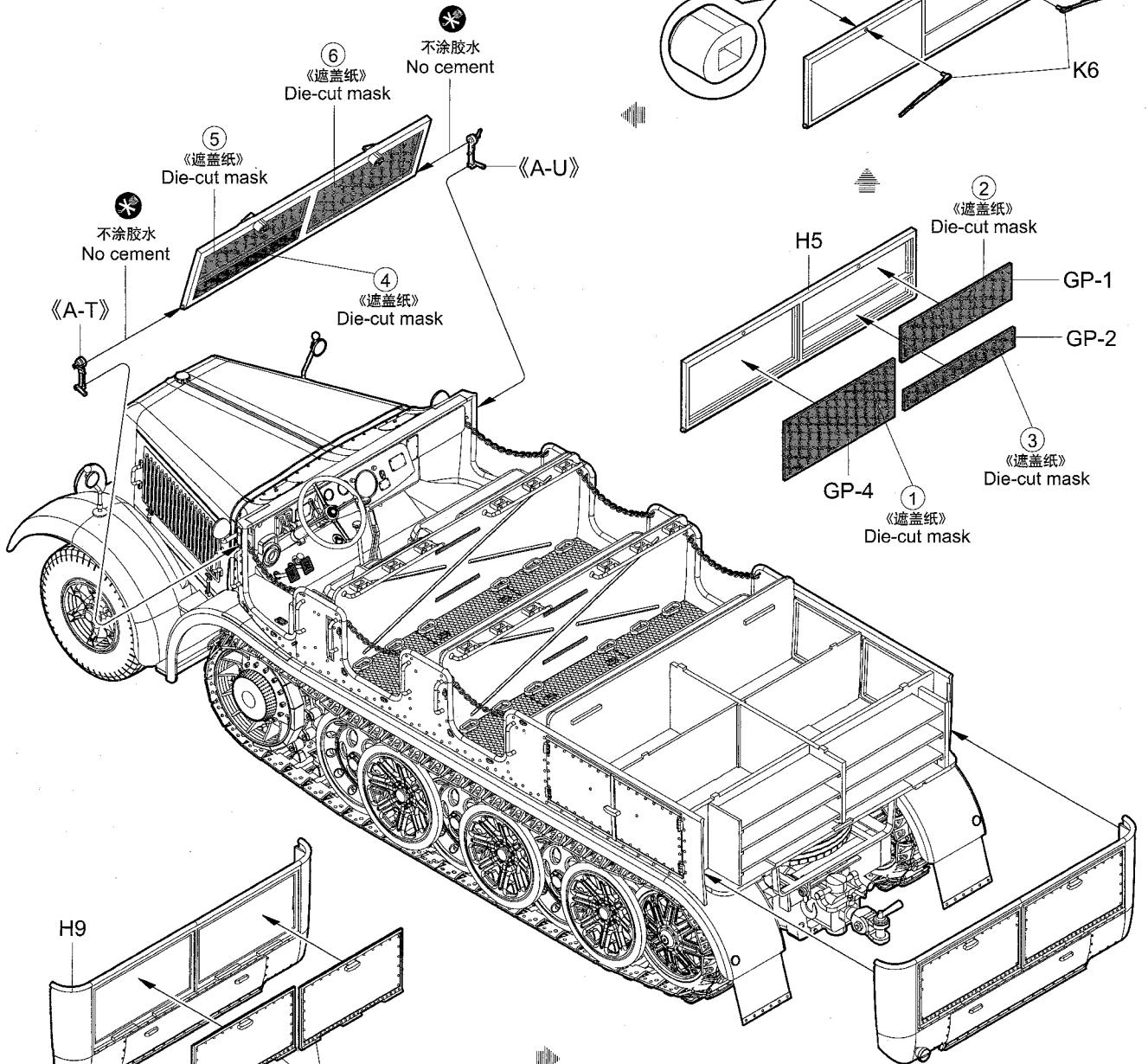
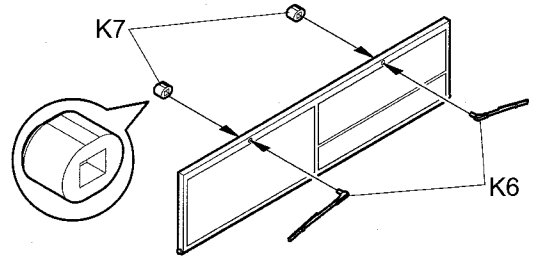
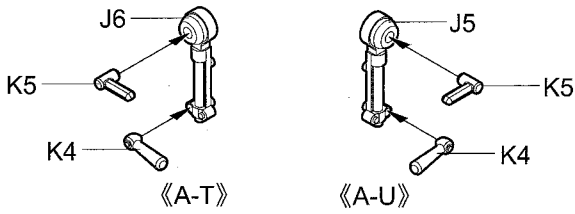


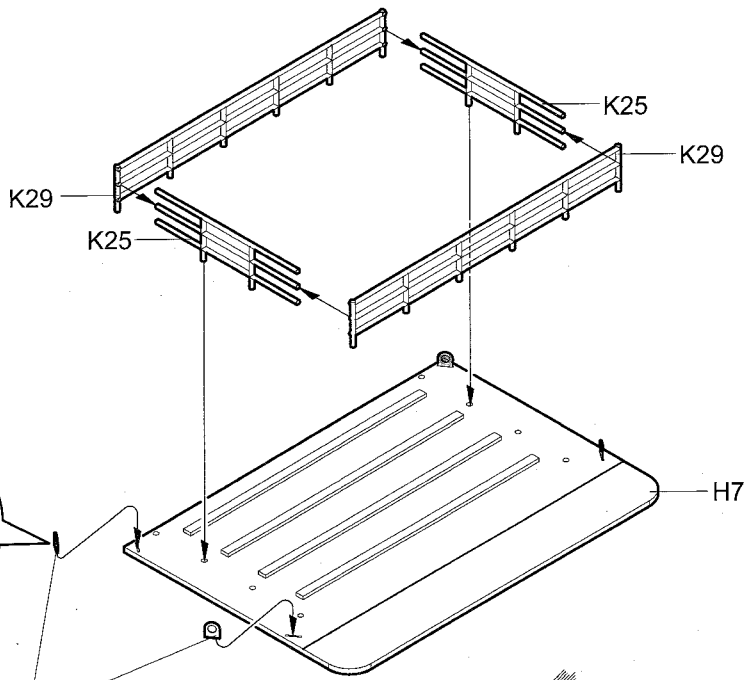
35



36







PE-12  
对侧相同  
Both sides

