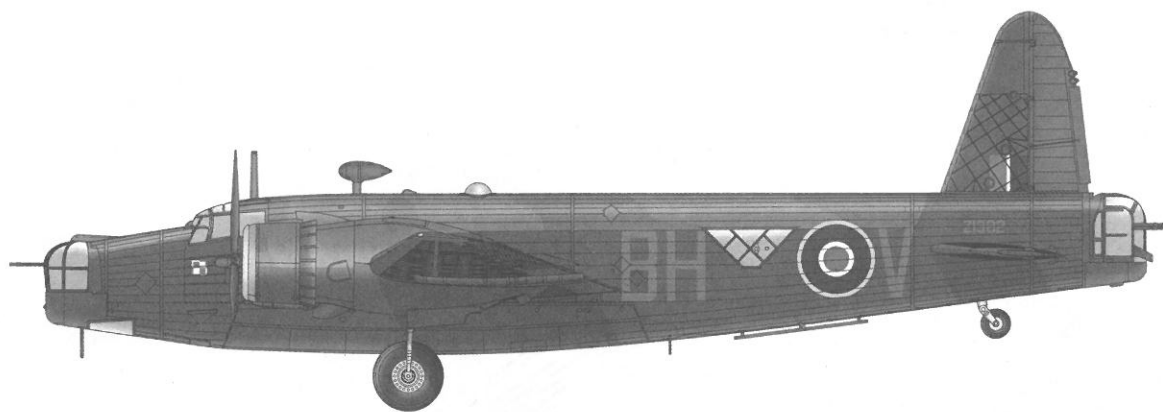


"WELLINGTON" Mk.III

“威灵顿” Mk.III



READ BEFORE ASSEMBLY:

- This kit is not recommended for inexperienced modelers or for children under 14 years of age
- Study and understand these instructions thoroughly before beginning assembly
- When needed, remove photo-etch parts carefully using a modeling knife or photo etch sprue cutter, being careful not to damage or lose small parts.
- Take extra care in handling photo etch parts in order to avoid injury
- Apply instant cement sparingly to photo etch parts where instructed
- Tools recommended(not included in kit):Plastic and instant cements,sprue cutters,long nose pliers,,modeling knife, small files, tweezers, pin vise & scissors. Soft cloth and sandpaper will also assist in construction
- Glue and paint are not included in the kit. Use plastic cement and hobby paints only. Color guide for purchasing paint is included in the kit.
- Keep out of reach of children. They must not be allowed to ingest small parts or handle plastic bags in any way.

装配之前仔细阅读

- 小心用模型锉刀锉平所有零件表面的注射浇口。
- 小心用刀片切下蚀刻片零件，不要遗失小零件。
- 用强力快干胶水粘合蚀刻片零件和金属轴。过量的快干胶水使用可能导致可动零件会粘住，小心涂胶。
- 取蚀刻片时应特别注意安全，防止利边划伤手指。
- 某些零件表面需贴水上贴纸，请选择在装配的同时进行。
- 推荐模型工具(自备)：胶水，水口剪刀，长咀钳，刀片，锉刀，镊子，钳，钻，剪刀，瞬间快干胶。
- 软布同砂纸同时也应该是必备工具。
- 请使用塑料胶水和油漆，模型内不含。
- 谨防小孩吸吮塑料零件，或者将塑料袋套在头上，制作时应将套材远离小孩接触。
- 本产品不适合14岁以下没有经验的模型爱好者。



cyanoacrylate glue
使用强力胶



weight
配重



make hole
钻孔



cut / remove
切除



bend
弯曲



file / sand
锉平



option
选择



no cement
不涂胶水



decal
贴纸

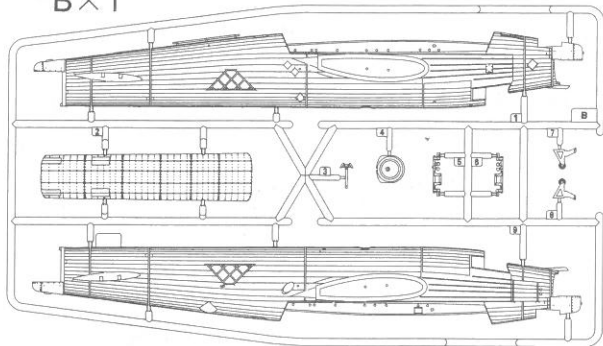
水贴纸的使用:

1. 从水贴纸上剪下印花;
2. 将印花放入温水中浸10秒, 然后放在干净布上。
3. 拿着印花纸板将印花移到模型上;
4. 手指蘸水将印花移到适当的位置;
5. 用软布轻压印花直至水干, 气泡消失。

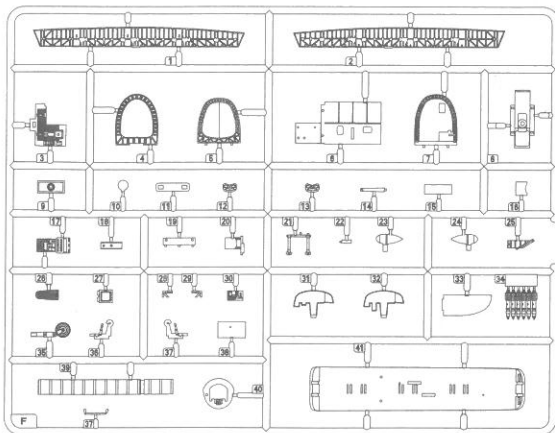
DECAL APPLICATION

1. Cut off decal from sheet.
2. Dip the decal in tepid water 40°C for about 10 sec. and place on a clean cloth.
3. Hold the backing sheet edge and slide decal onto the model.
4. Move decal into position by wetting decal with finger.
5. Press decal gently down with a soft cloth until excess water and air bubbles are gone.
6. Allow decal to dry completely before handling model.

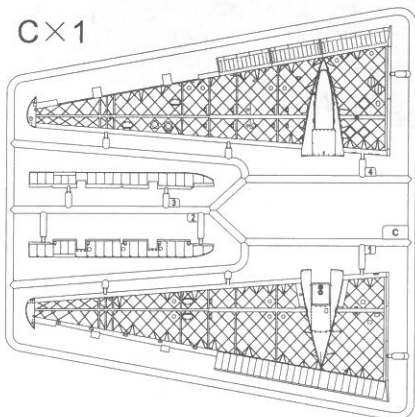
B×1



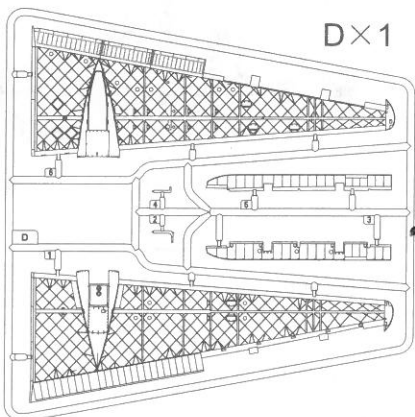
F×1



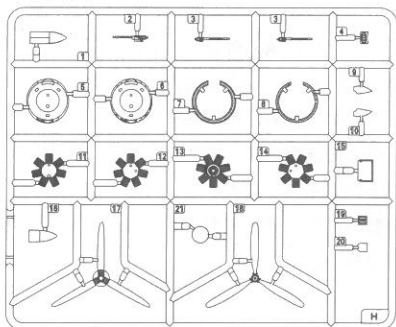
C×1



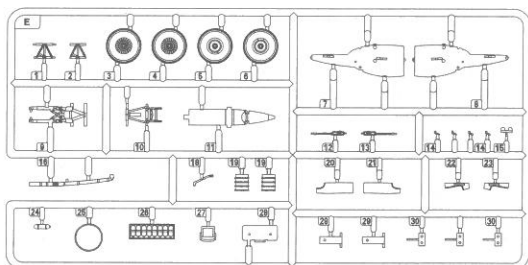
D×1



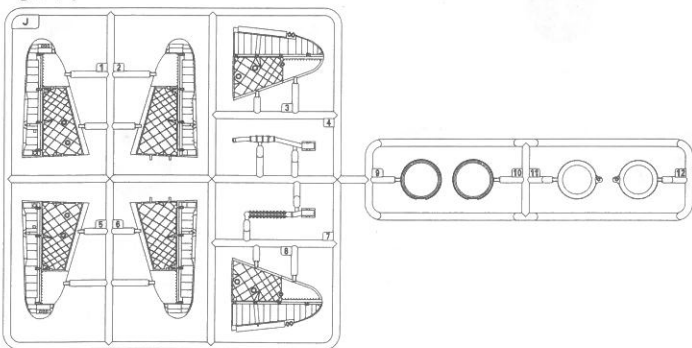
H×2



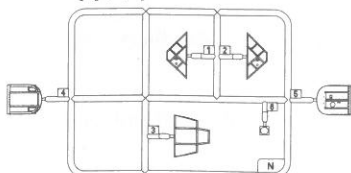
E×2



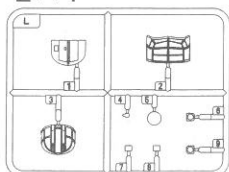
J×1



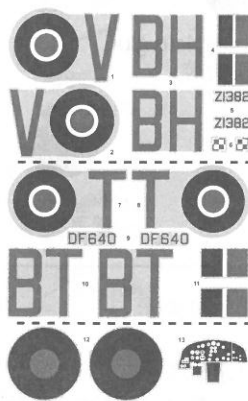
N×1



L×1



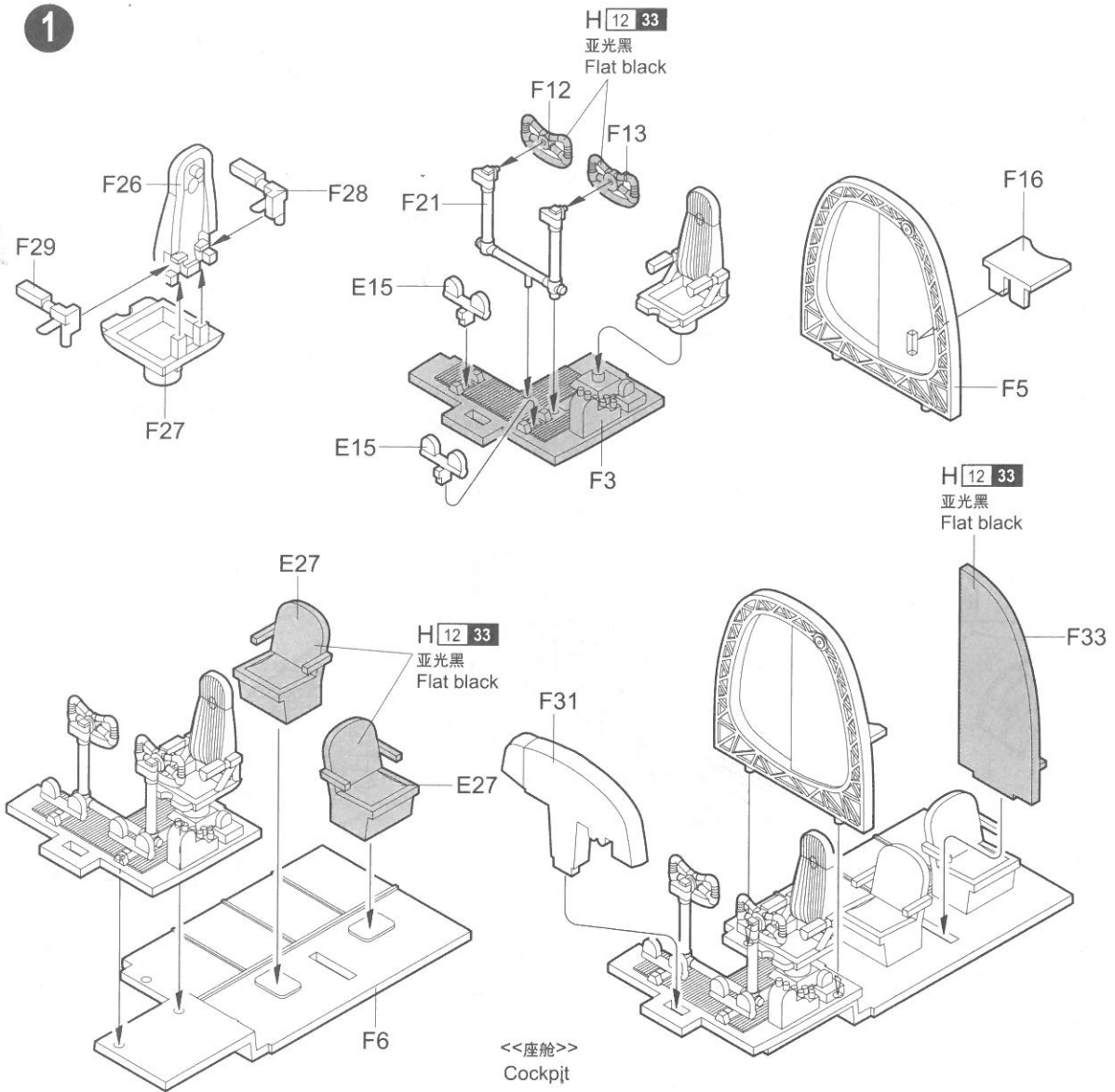
<<水貼>>
Decal



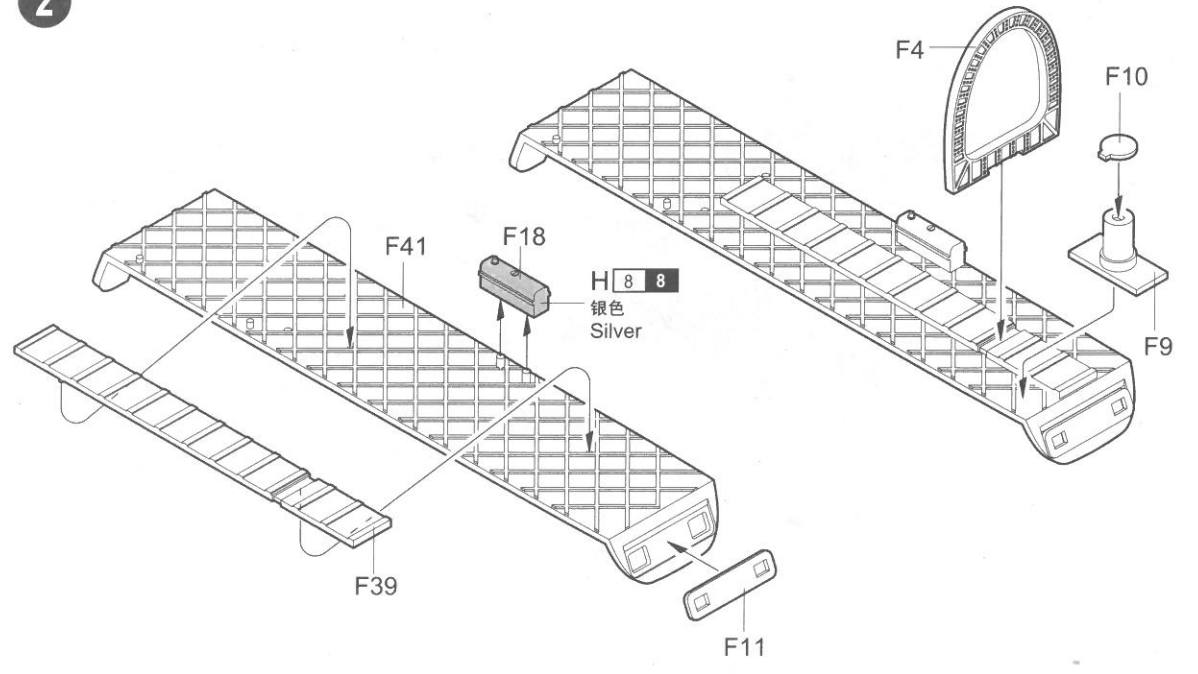
01627 1/72 Vickers "Wellington" MK.III

不用的部件: D2, E5, E6, F32, H1, H4, H6
Unused parts

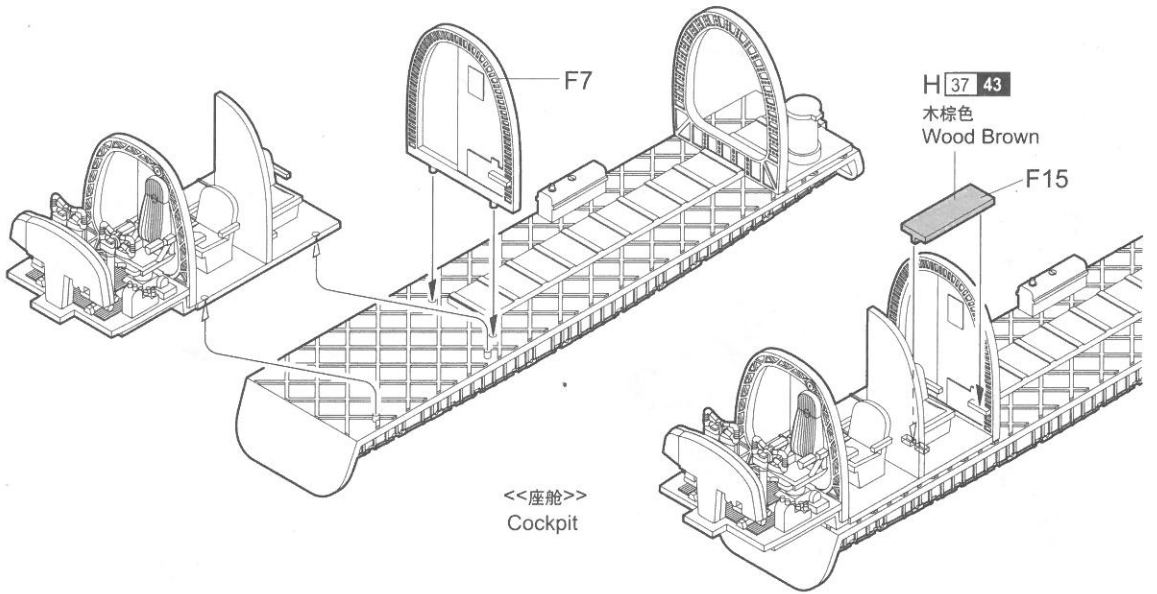
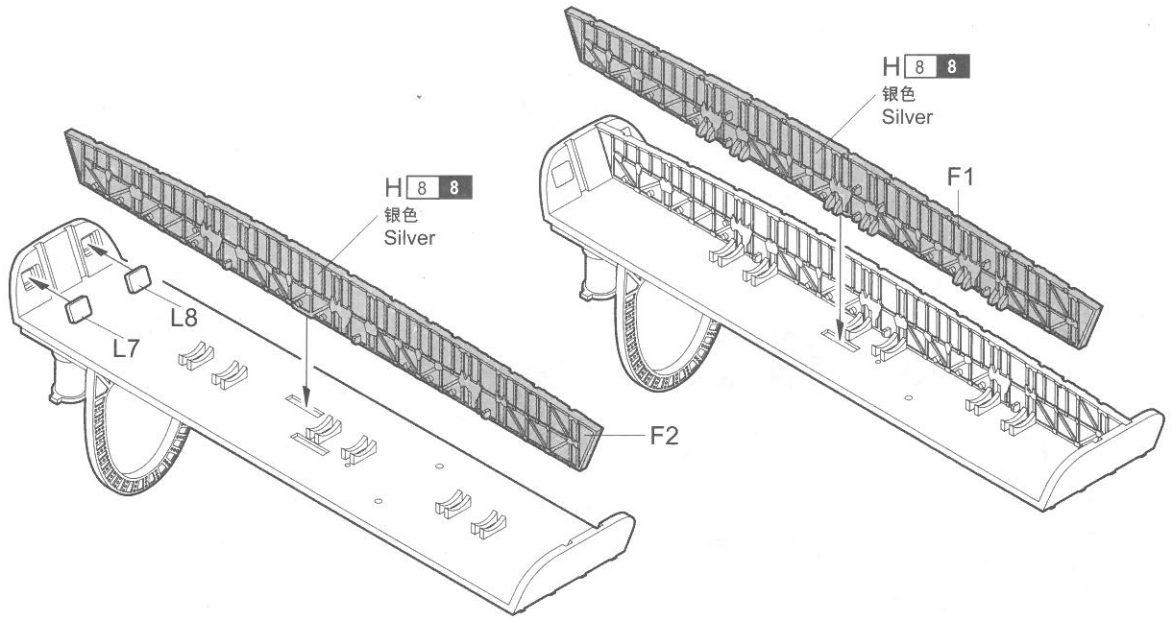
1



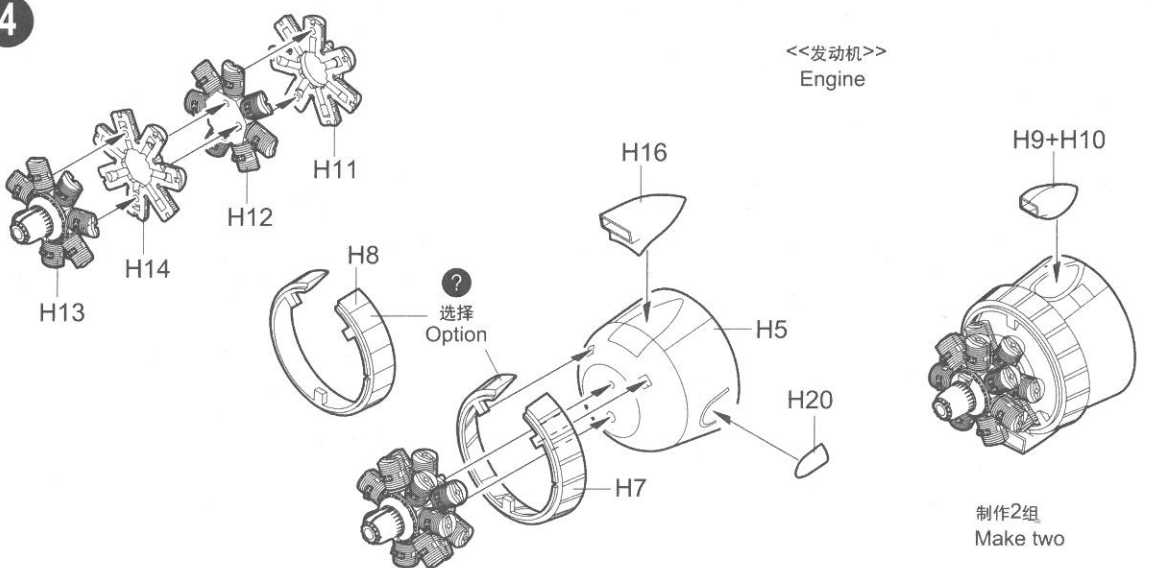
2



3

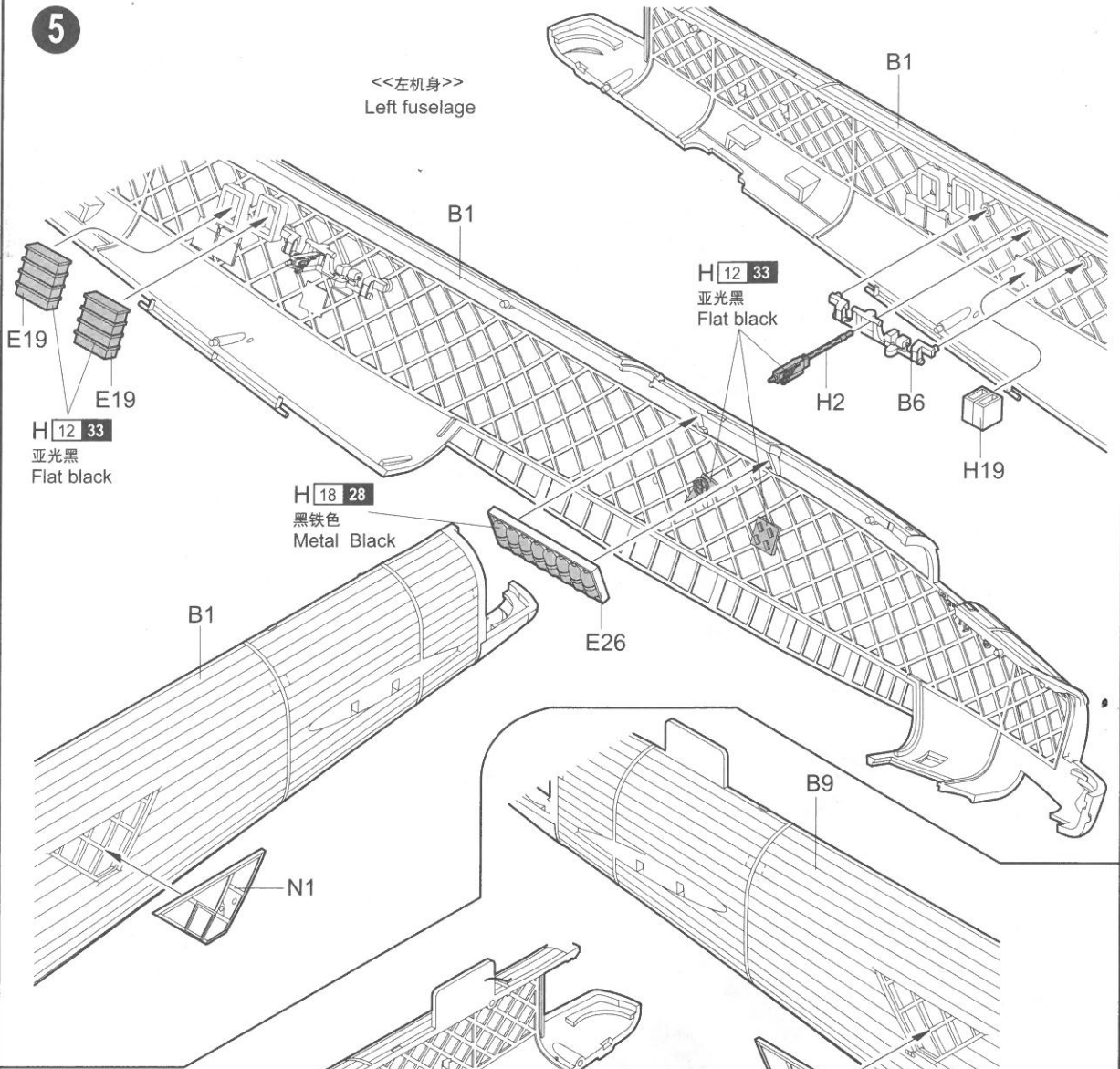


4

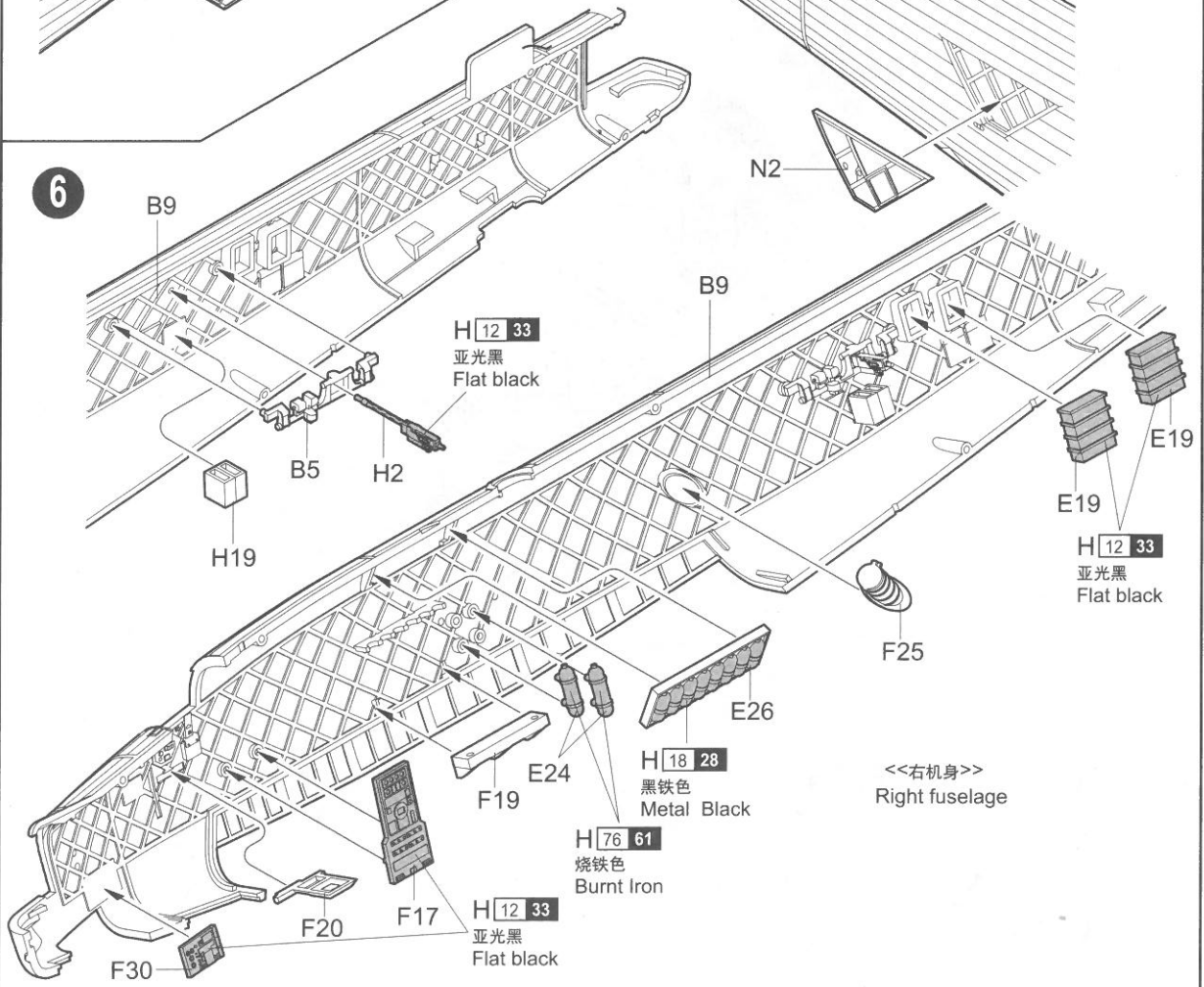


5

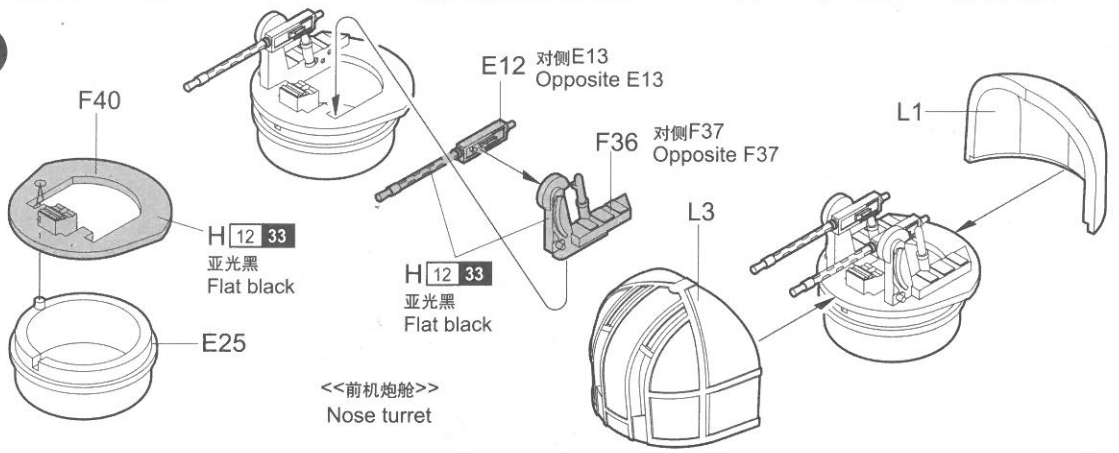
<<左机身>>
Left fuselage



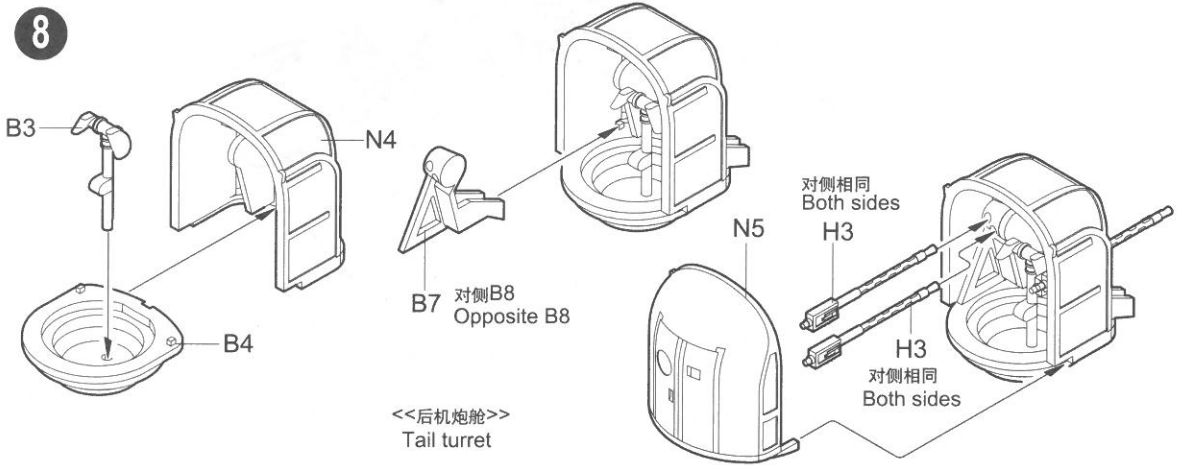
6



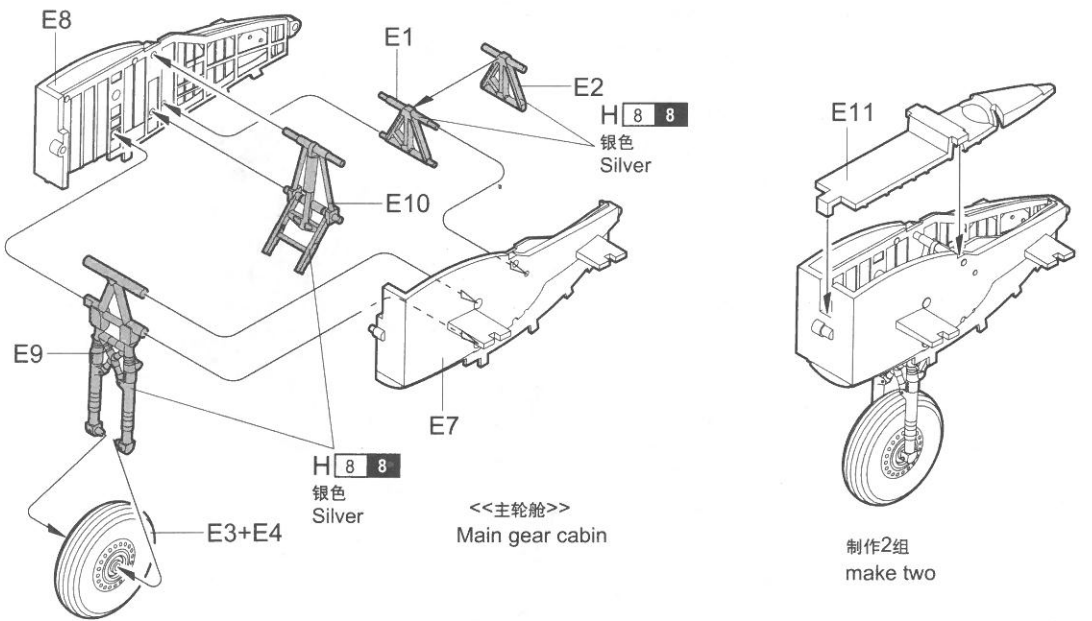
7



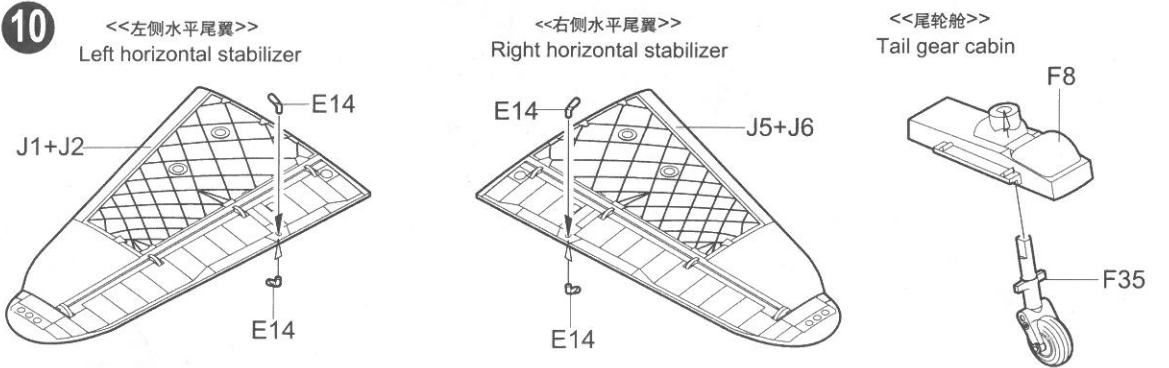
8



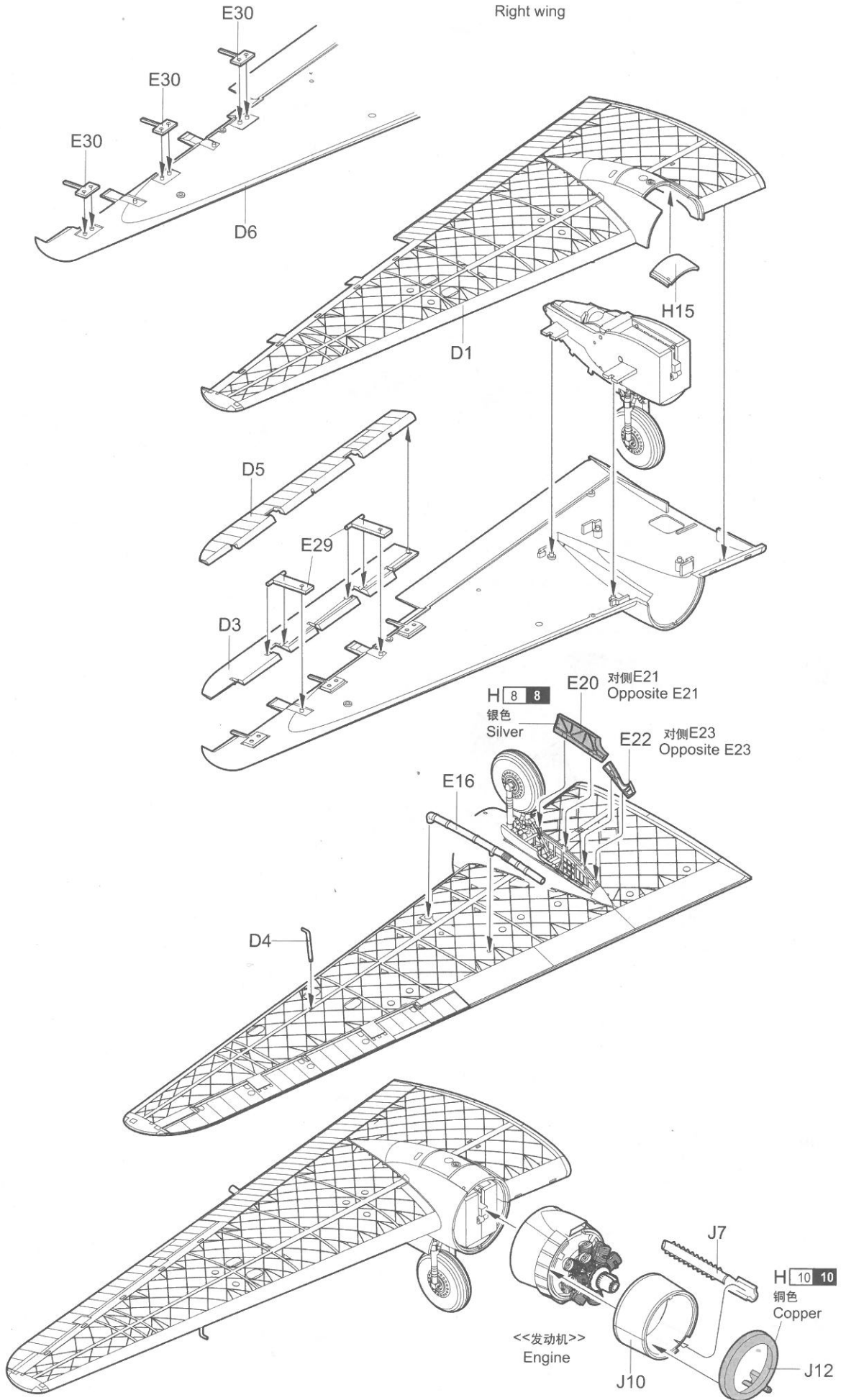
9



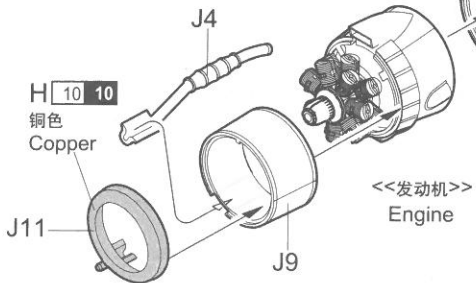
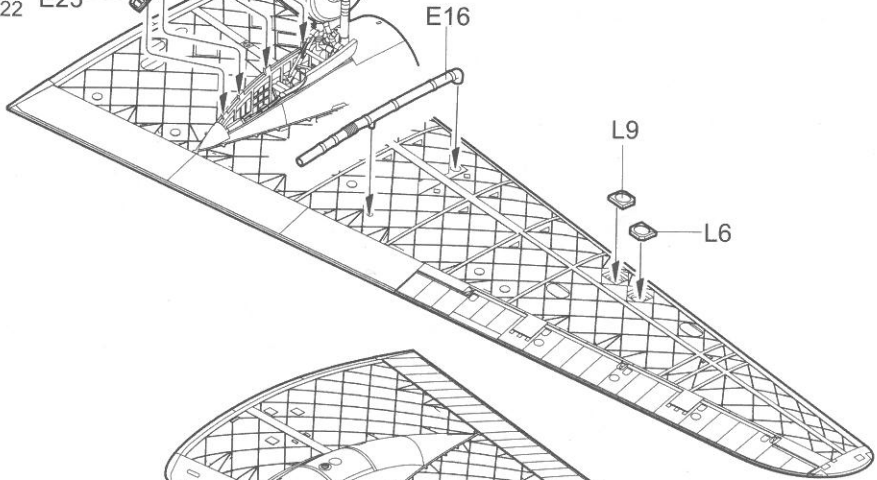
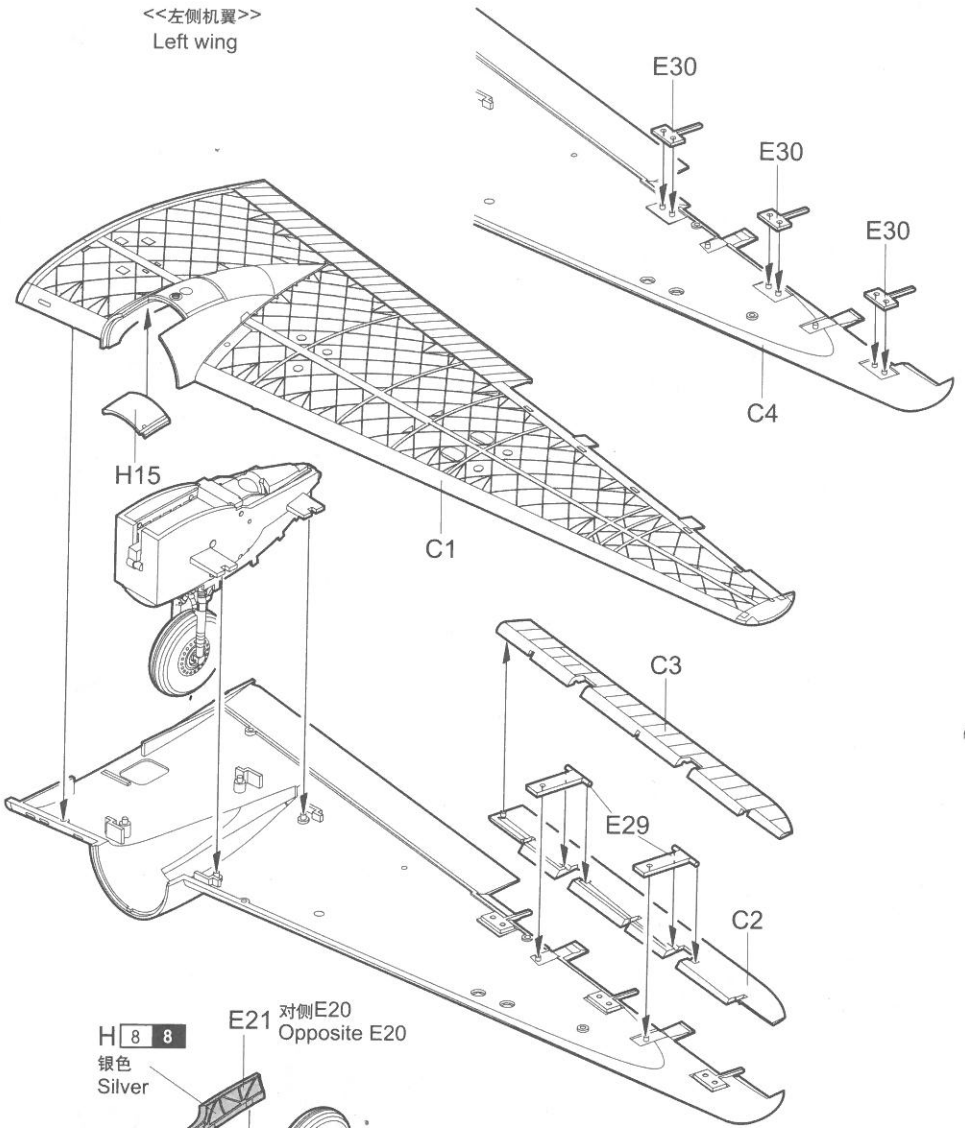
10



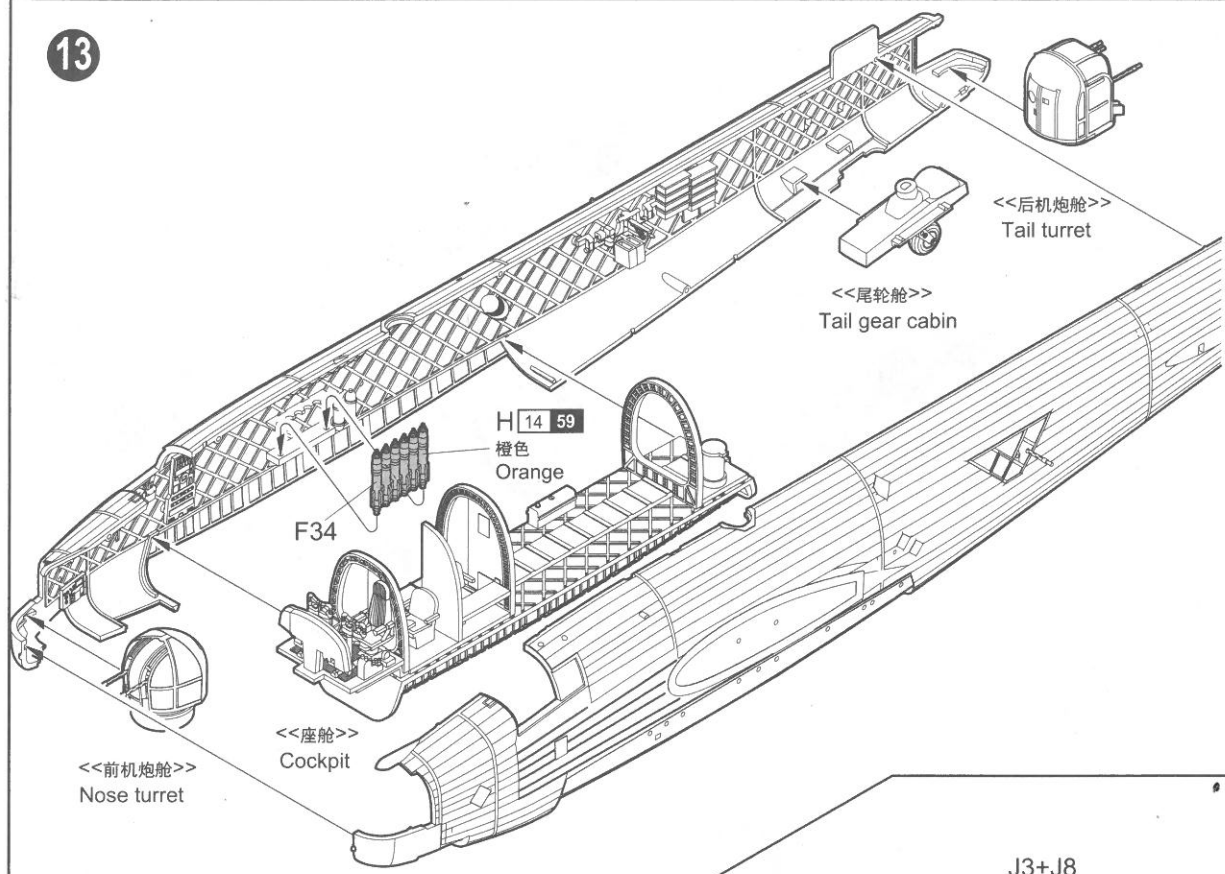
<<右侧机翼>>
Right wing



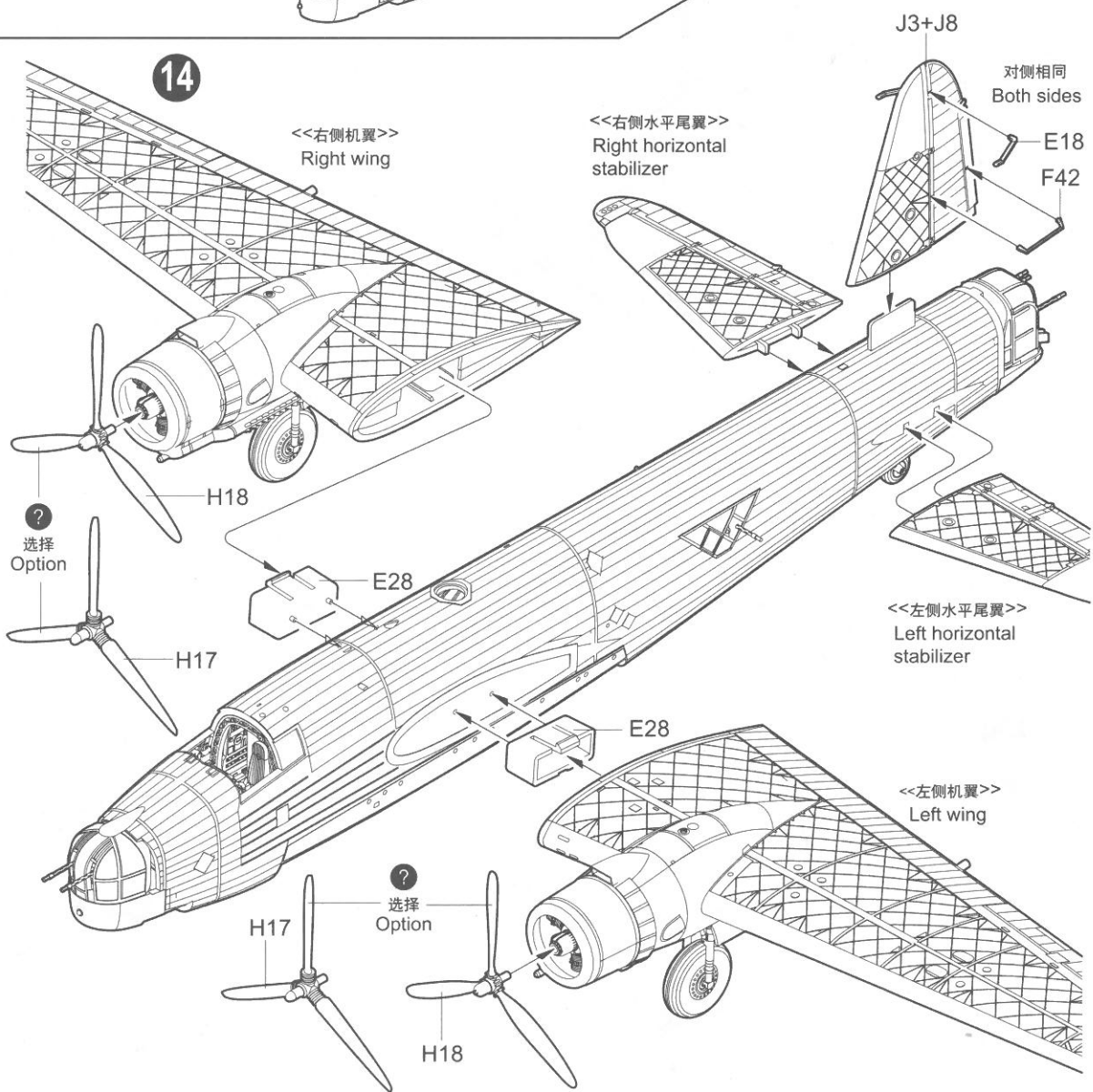
<<左侧机翼>>
Left wing



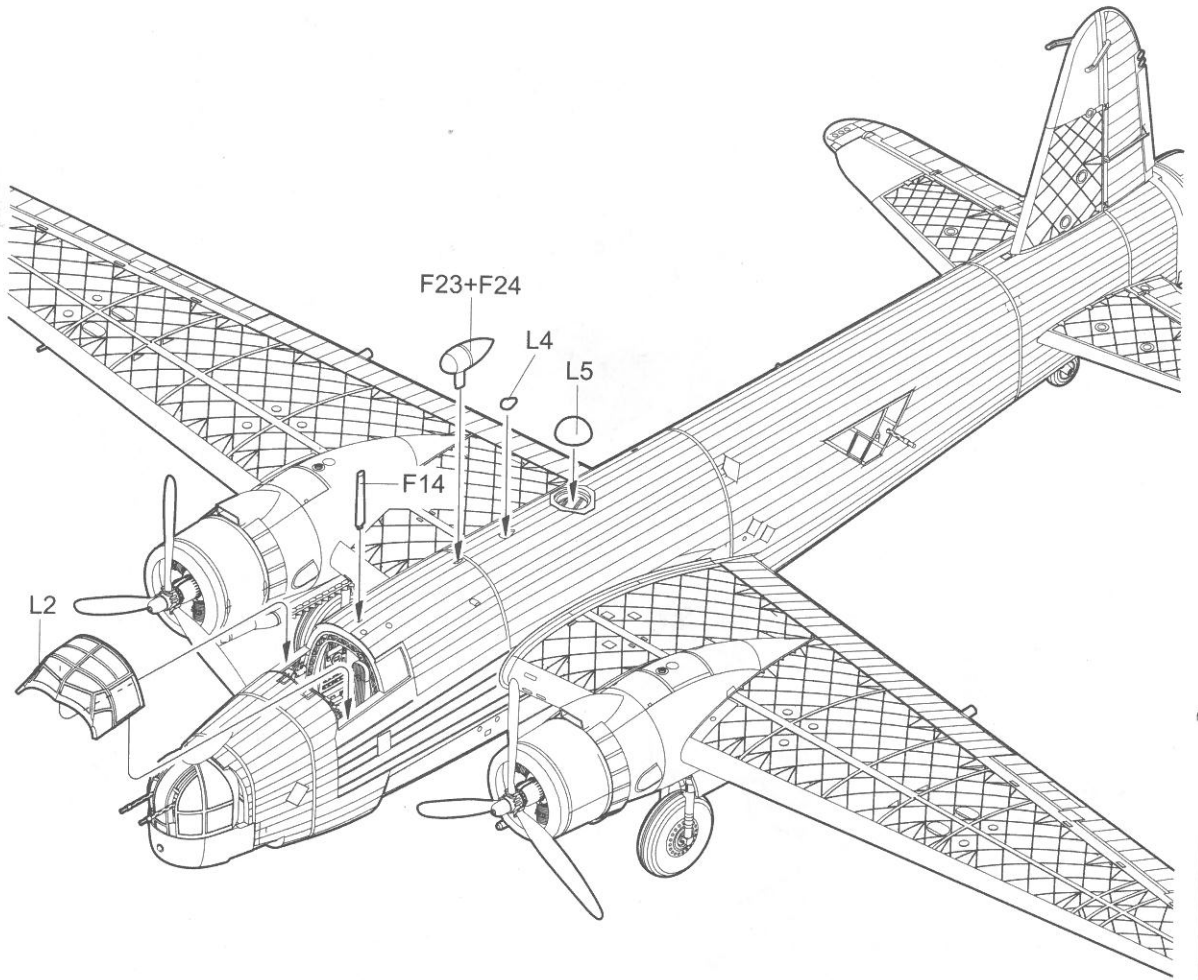
13



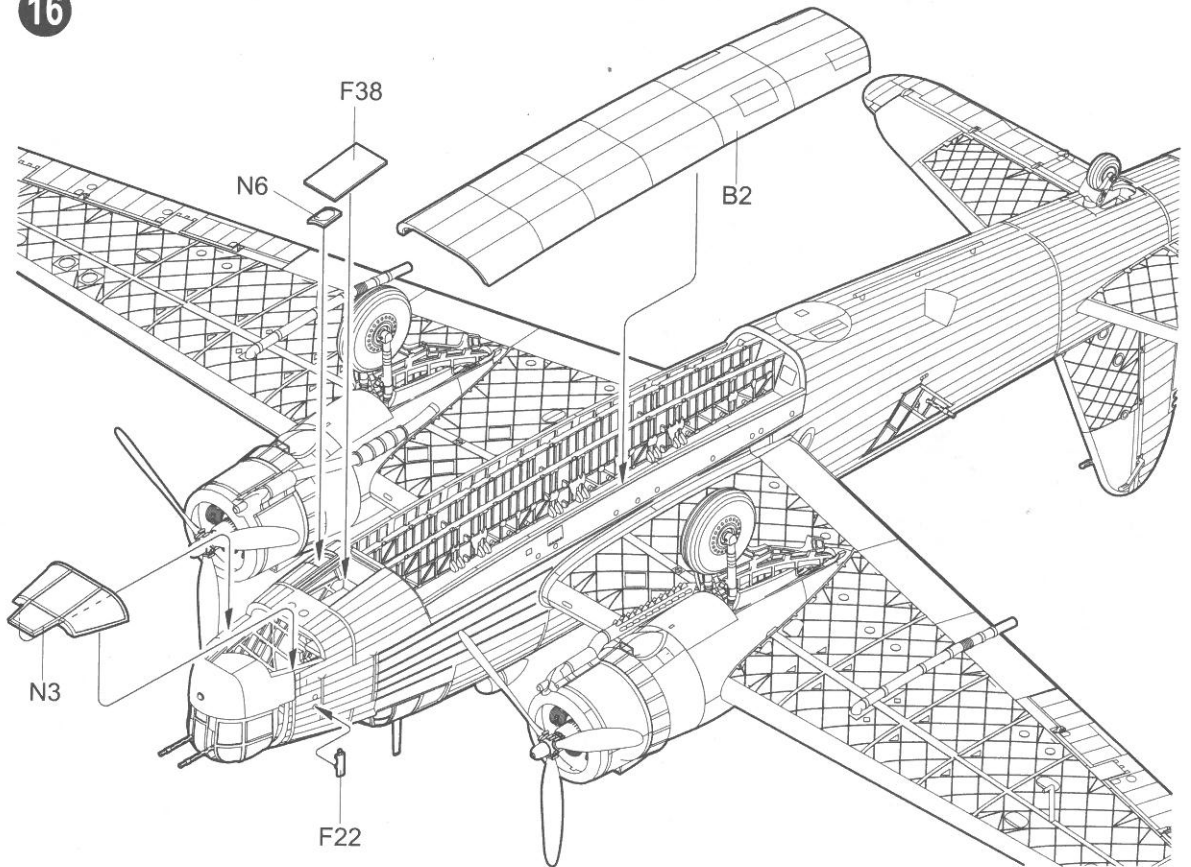
14



15



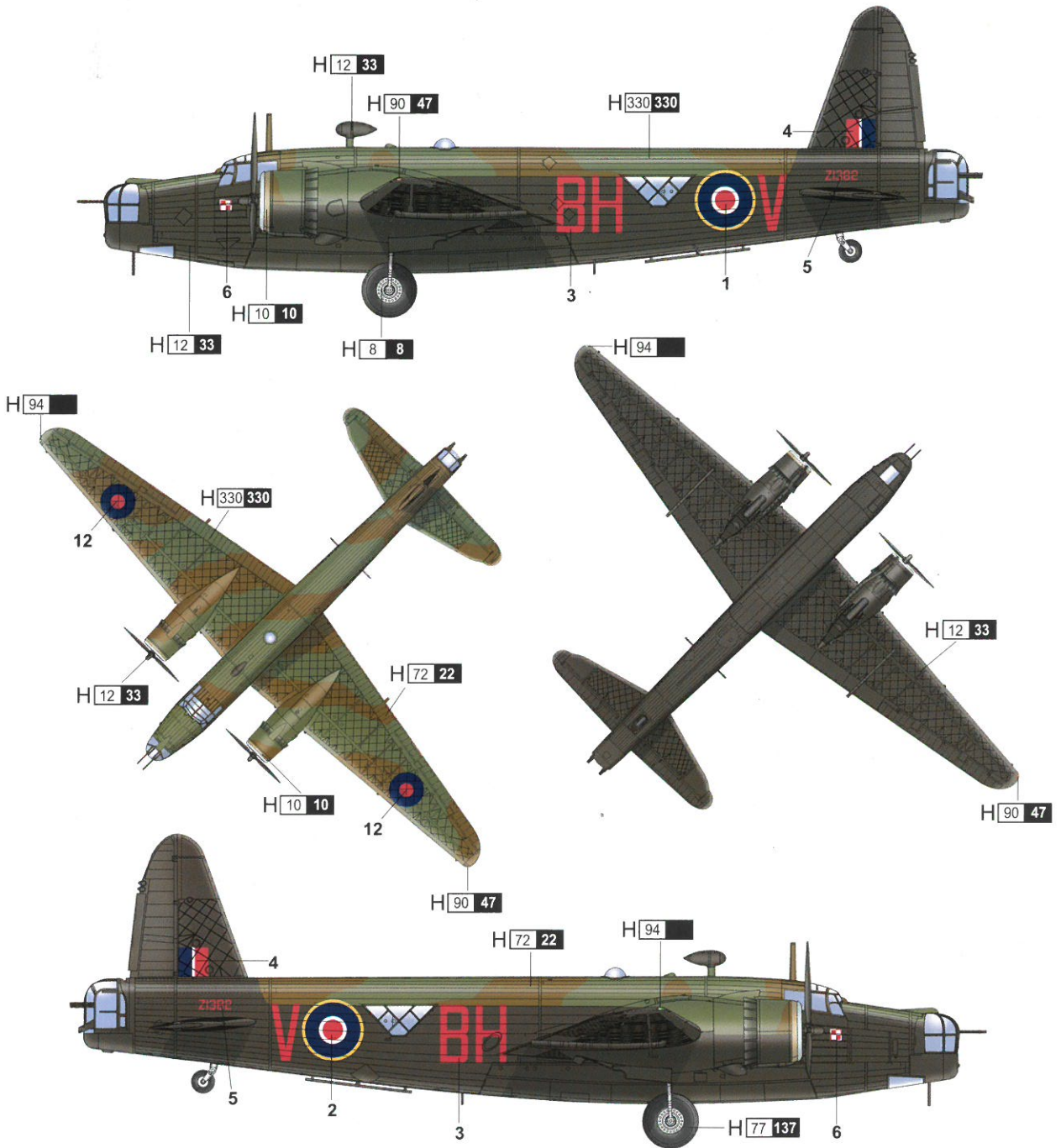
16



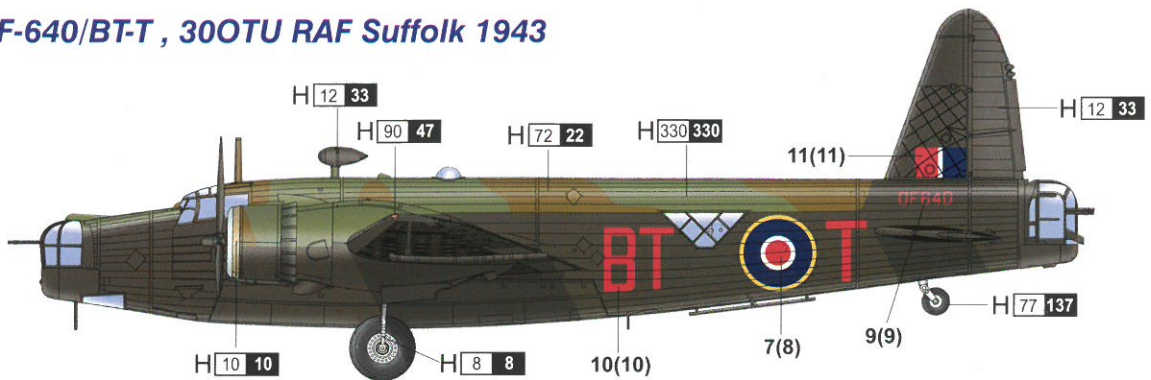
涂装同标贴指示
Painting & Marking guide

A Z1382/BH-V, 300Sq RAF Suffolk 1942

Gunze					
H 94	透明绿	Clear Green	H 12 33	亚光黑	Flat black
H 8 8	银色	Silver	H 90 47	透明红	Clear Red
H 10 10	青铜色	Bronze	H 77 137	胎黑色	Tire Black
H 72 22	深土色	Dark Earth	H 330 330	深绿色	Dark Green BS381C/641



B DF-640/BT-T, 300TU RAF Suffolk 1943



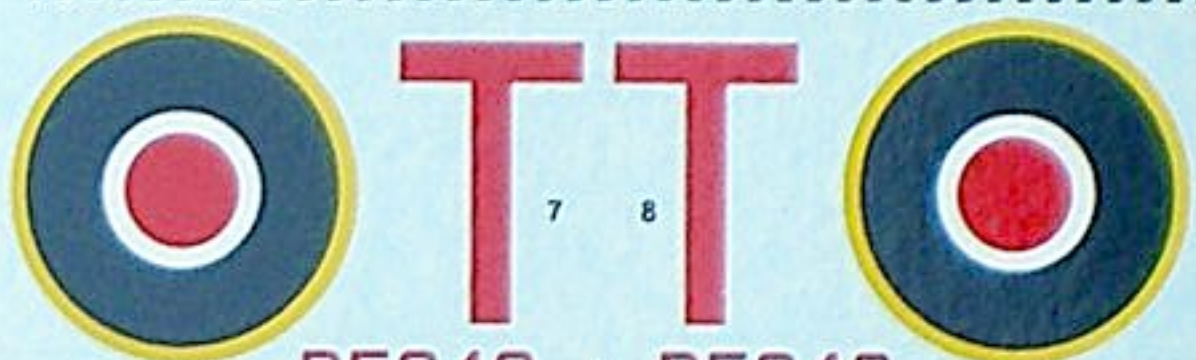
郡仕色使用
Gunze Mr. color used

H [X] GUNZE SANGYO AQVEOUS HOBBY COLOUR X GUNZE SANGYO MR COLOUR



ZI382

ZI382



DF640 9 DF640

