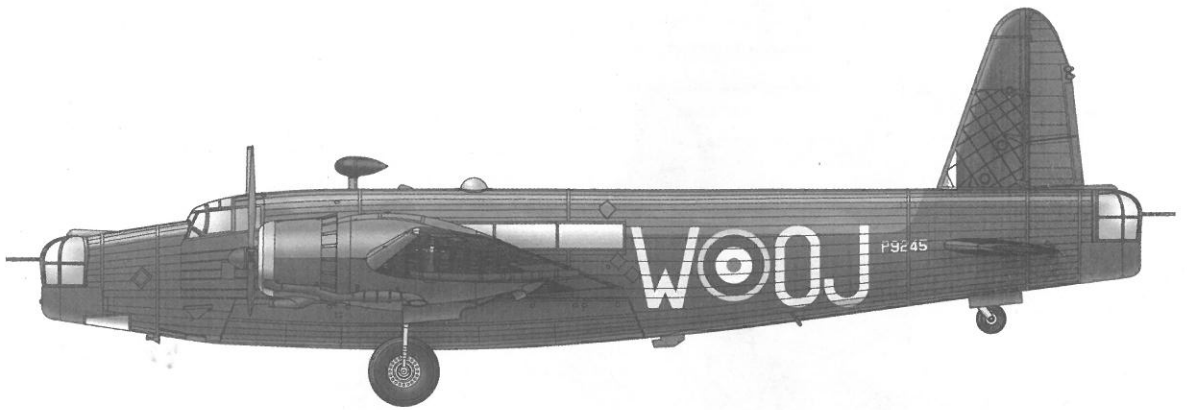


1:72 SCALE

ITEM NO.:01626

"WELLINGTON" Mk.1C

“威灵顿” Mk.1C



READ BEFORE ASSEMBLY:

- This kit is not recommended for inexperienced modelers or for children under 14 years of age
- Study and understand these instructions thoroughly before beginning assembly
- When needed, remove photo-etch parts carefully using a modeling knife or photo etch sprue cutter, being careful not to damage or lose small parts.
- Take extra care in handling photo etch parts in order to avoid injury
- Apply instant cement sparingly to photo etch parts where instructed
- Tools recommended(not included in kit):Plastic and instant cements,sprue cutters,long nose pliers,,modeling knife, small files, tweezers, pin vise & scissors. Soft cloth and sandpaper will also assist in construction
- Glue and paint are not included in the kit. Use plastic cement and hobby paints only. Color guide for purchasing paint is included in the kit.
- Keep out of reach of children. They must not be allowed to ingest small parts or handle plastic bags in any way.

装配之前仔细阅读

- 小心用模型锉刀锉平所有零件表面的注射浇口。
- 小心用刀片切下蚀刻片零件，不要遗失小零件。
- 用强力快干胶水粘合蚀刻片零件和金属轴。过量的快干胶水使用可能导致可动零件会粘住，小心涂胶。
- 取蚀刻片时应特别注意安全，防止利边划伤手指。
- 某些零件表面需贴上水贴纸，请选择在装配的同时进行。
- 推荐模型工具(自备)：胶水，水口剪刀，长咀钳，刀片，锉刀，镊子，钳，钻，剪刀，瞬间快干胶。
- 软布同砂纸同时也应该是必备工具。
- 请使用塑料胶水和油漆，模型内不含。
- 谨防小孩吸吮塑料零件，或者将塑料袋套在头上，制作时应将套材远离小孩接触。
- 本产品不适合14岁以下没有经验的模型爱好者。



cyanoacrylate glue
使用强力胶



weight
配重



make hole
钻孔



cut / remove
切除



bend
弯曲



file / sand
锉平



option
选择



no cement
不涂胶水



decal
贴纸

水贴纸的使用:

1. 从水贴上剪下印花;
2. 将印花放入温水中浸10秒, 然后放在干净布上。
3. 拿着印花纸板将印花移到模型上;
4. 手指蘸水将印花移到适当的位置;
5. 用软布轻压印花直至水干, 气泡消失。

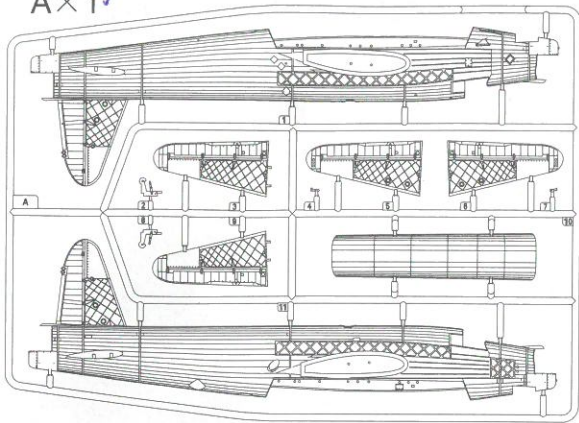
DECAL APPLICATION

1. Cut off decal from sheet.
2. Dip the decal in tepid water 40°C for about 10 sec. and place on a clean cloth.
3. Hold the backing sheet edge and slide decal onto the model.
4. Move decal into position by wetting decal with finger.
5. Press decal gently down with a soft cloth until excess water and air bubbles are gone.
6. Allow decal to dry completely before handling model.

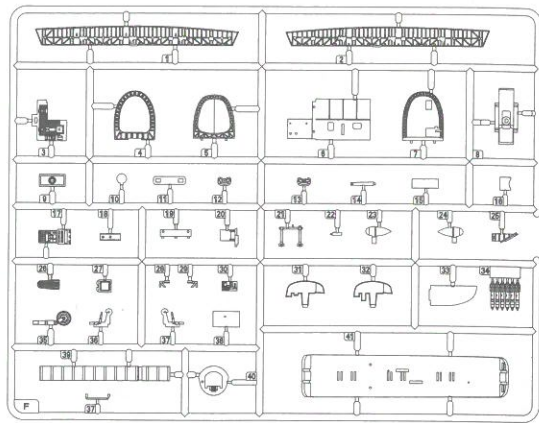
部品图

Parts

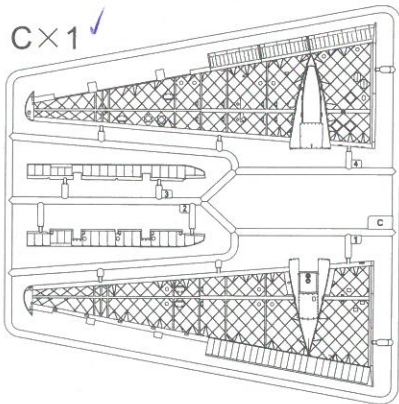
A×1 ✓



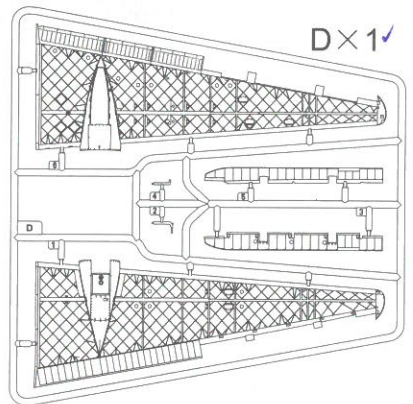
F×1 ✓



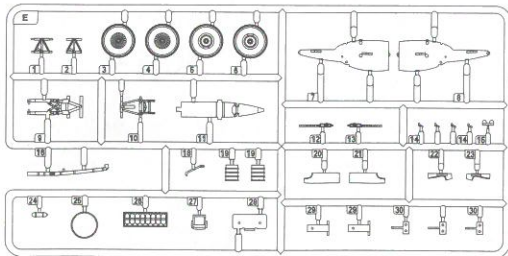
C×1 ✓



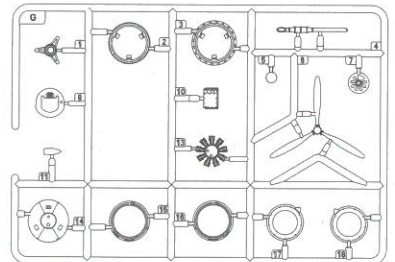
D×1 ✓



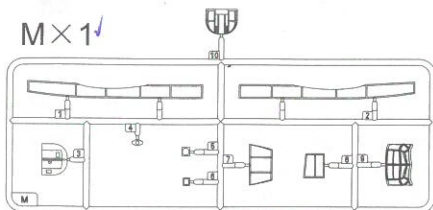
E×2 ✓



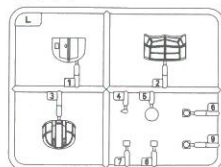
G×2 ✓



M×1 ✓



L×1 ✓

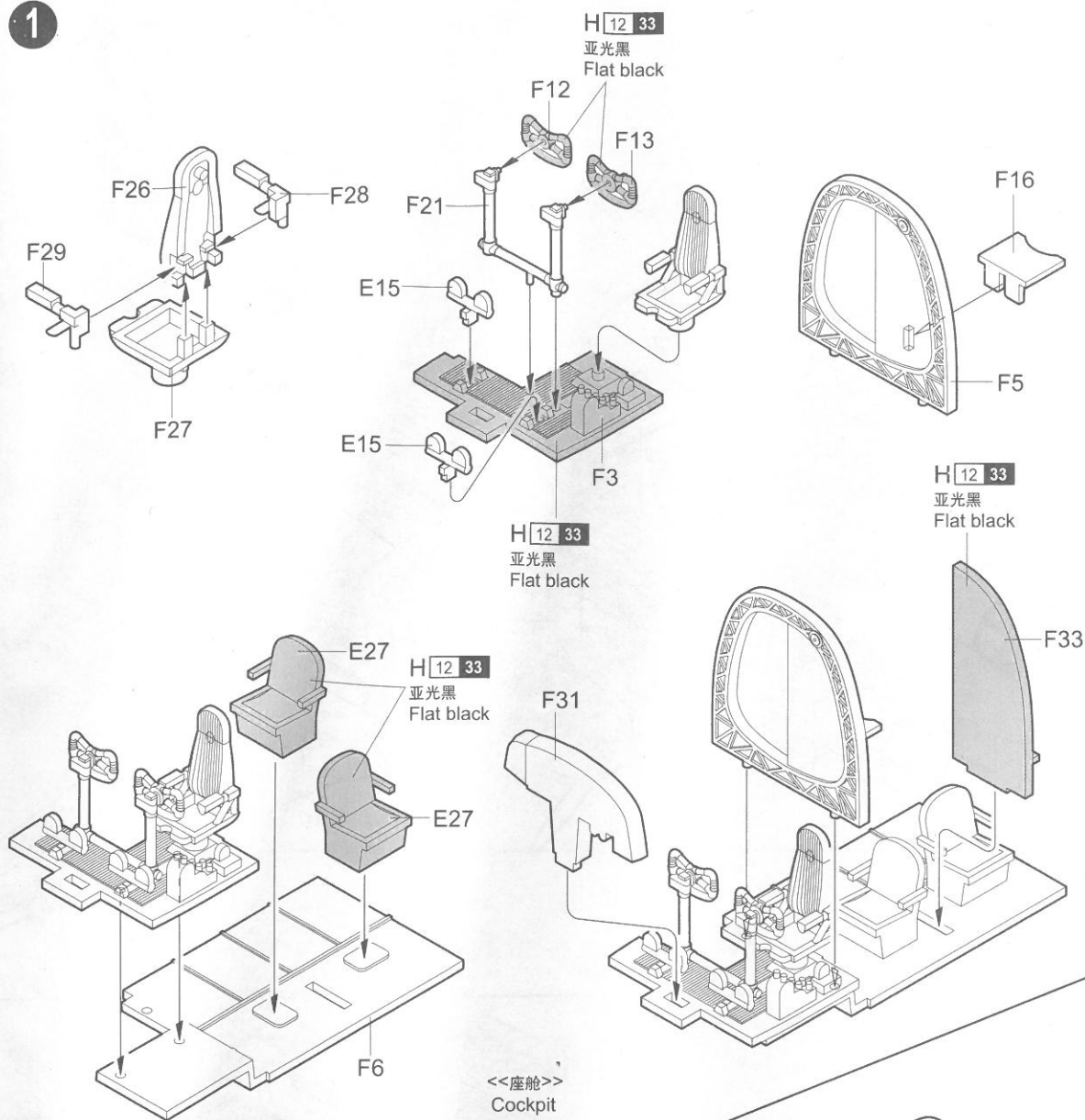


<<水贴>>
Decal

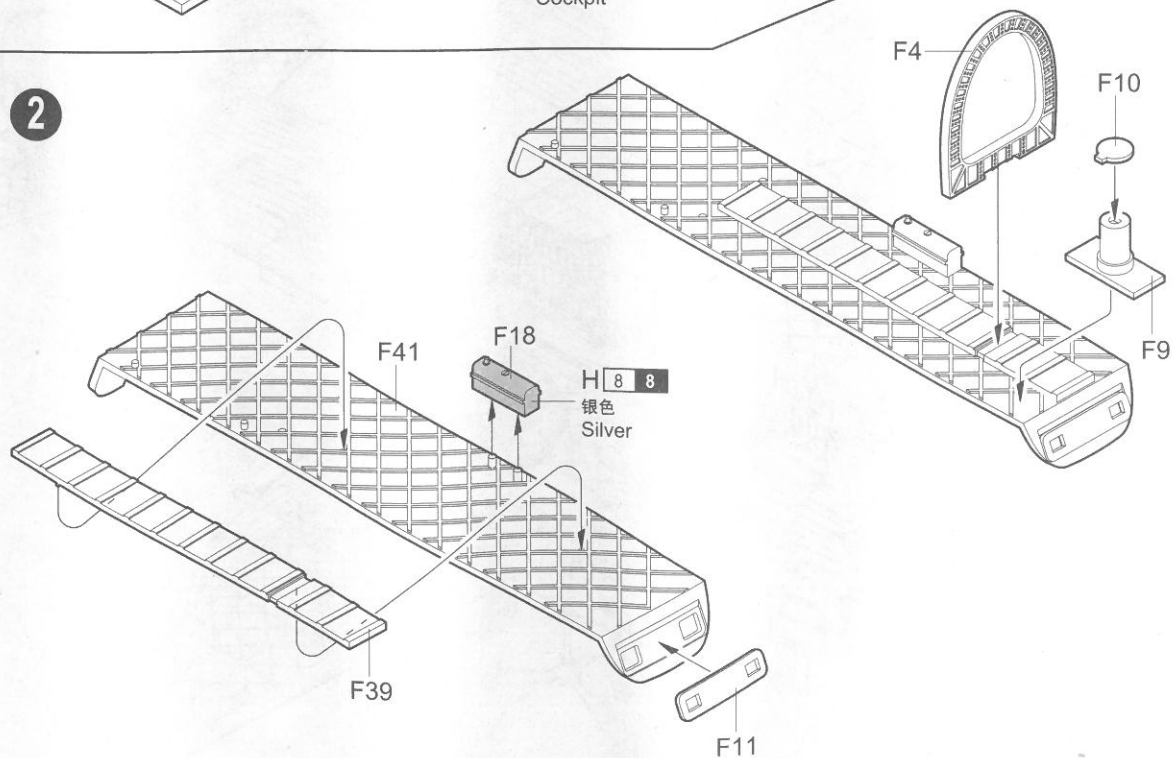


不用的部件: D2、E5、E6、F32、L2
Unused Parts

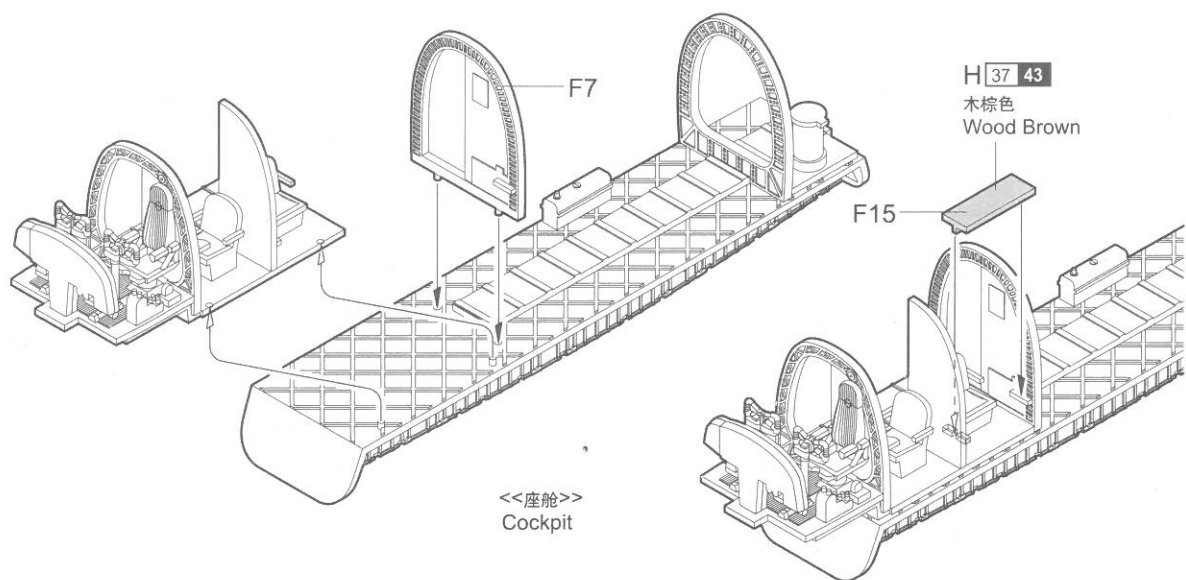
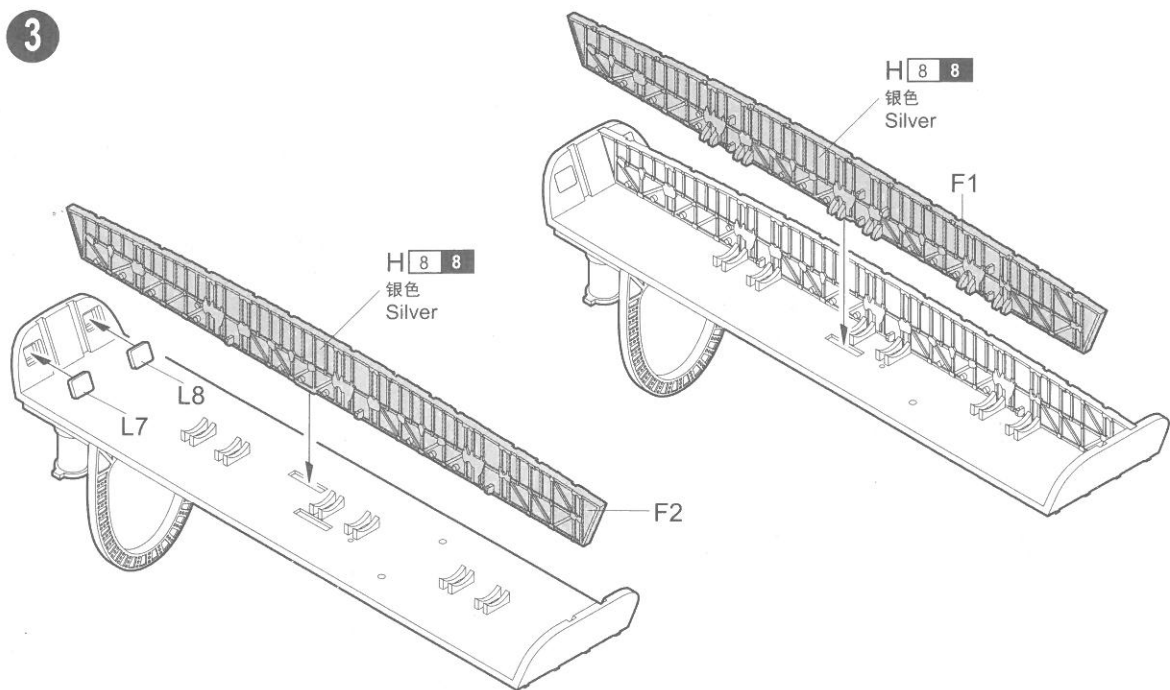
1



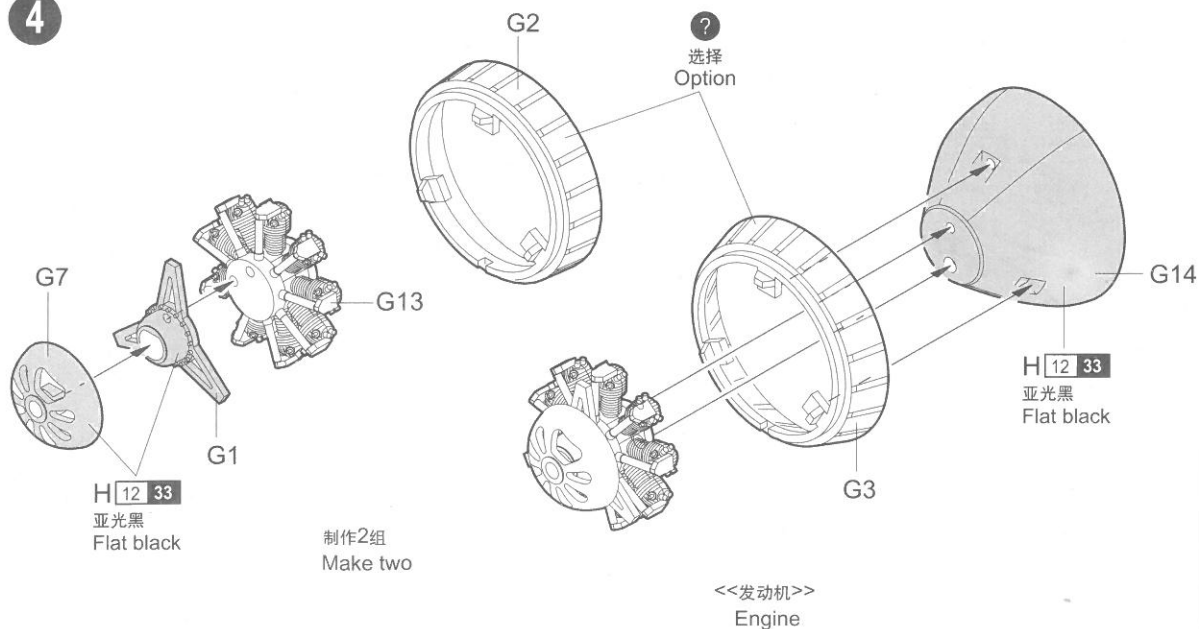
2



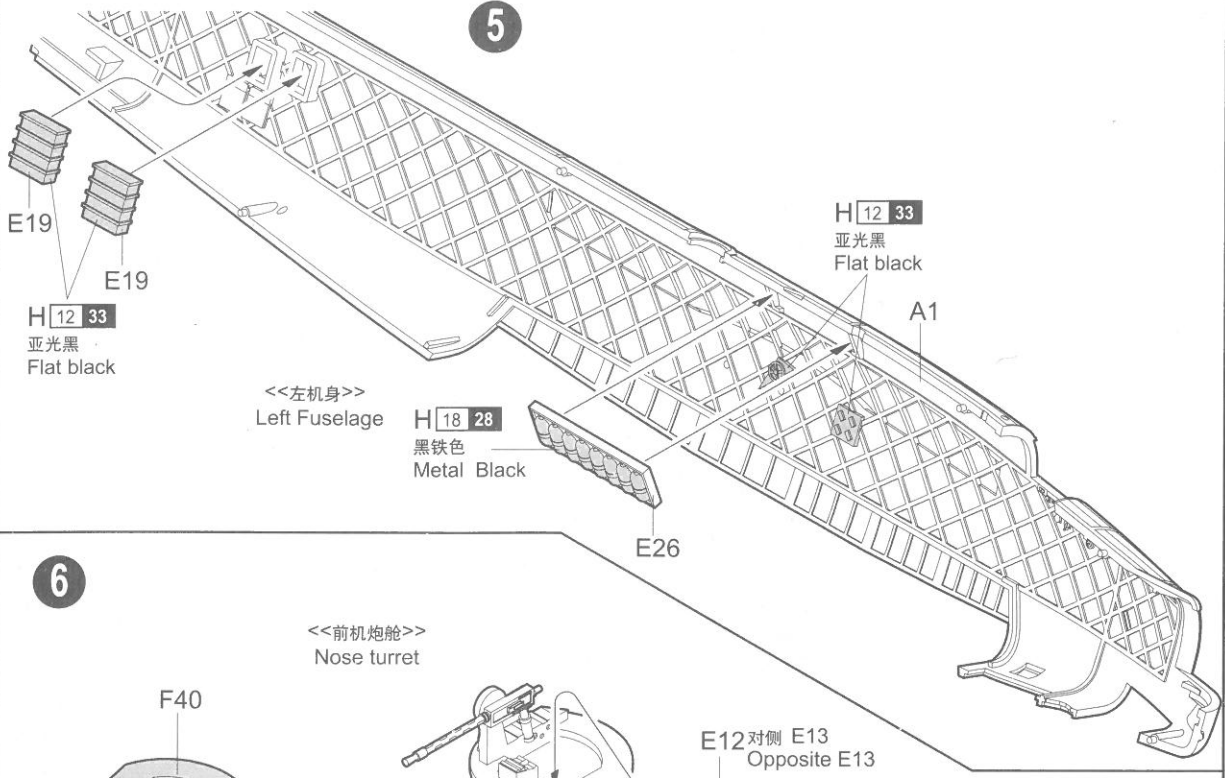
3



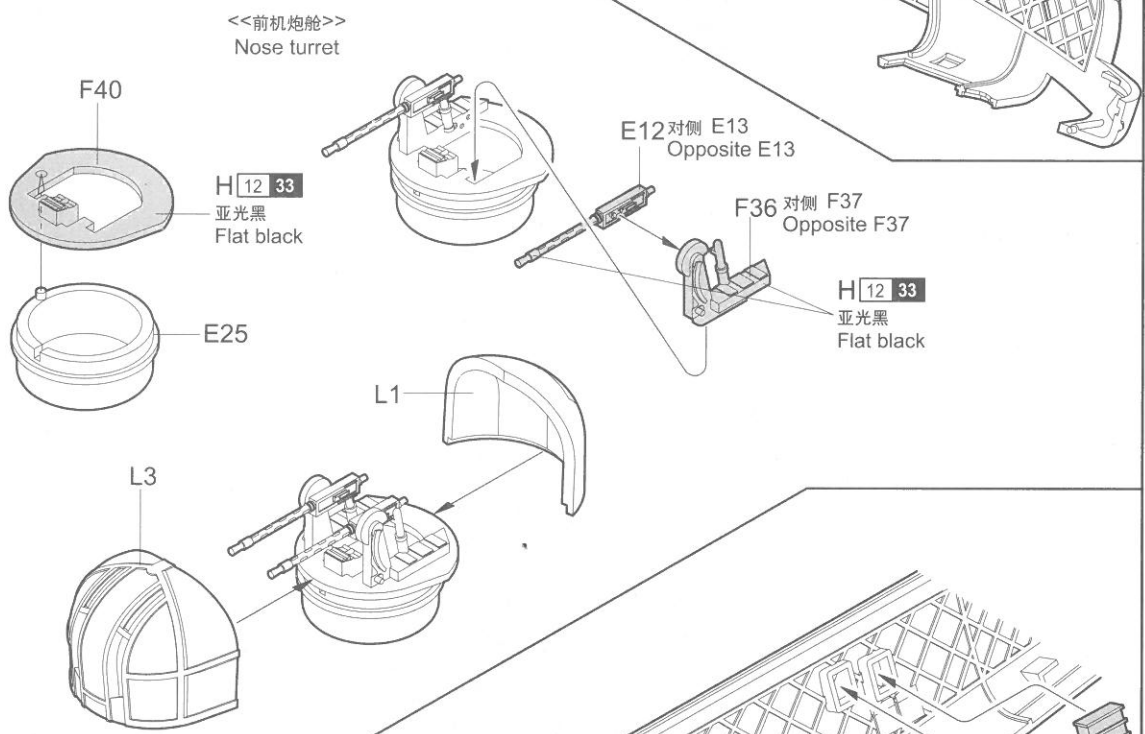
4



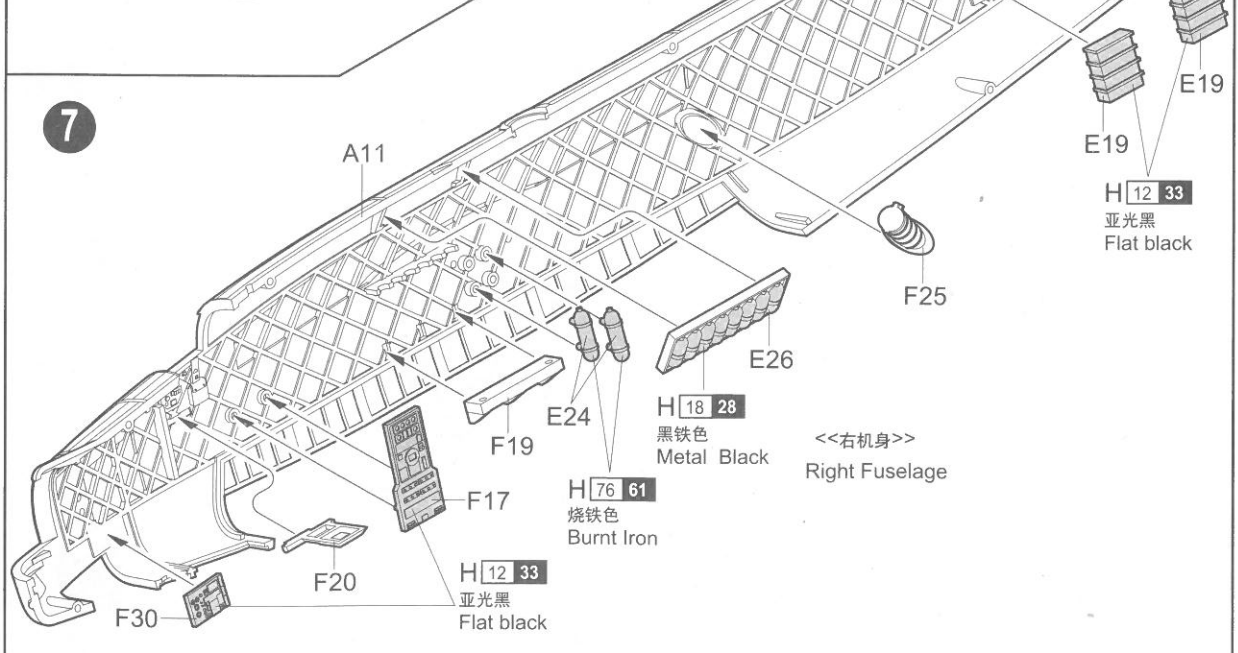
5



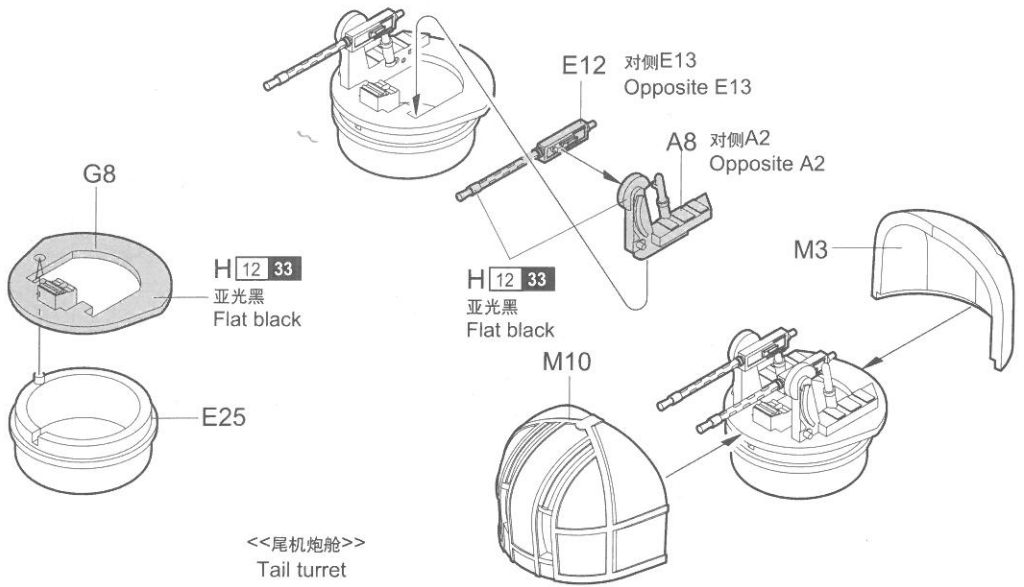
6



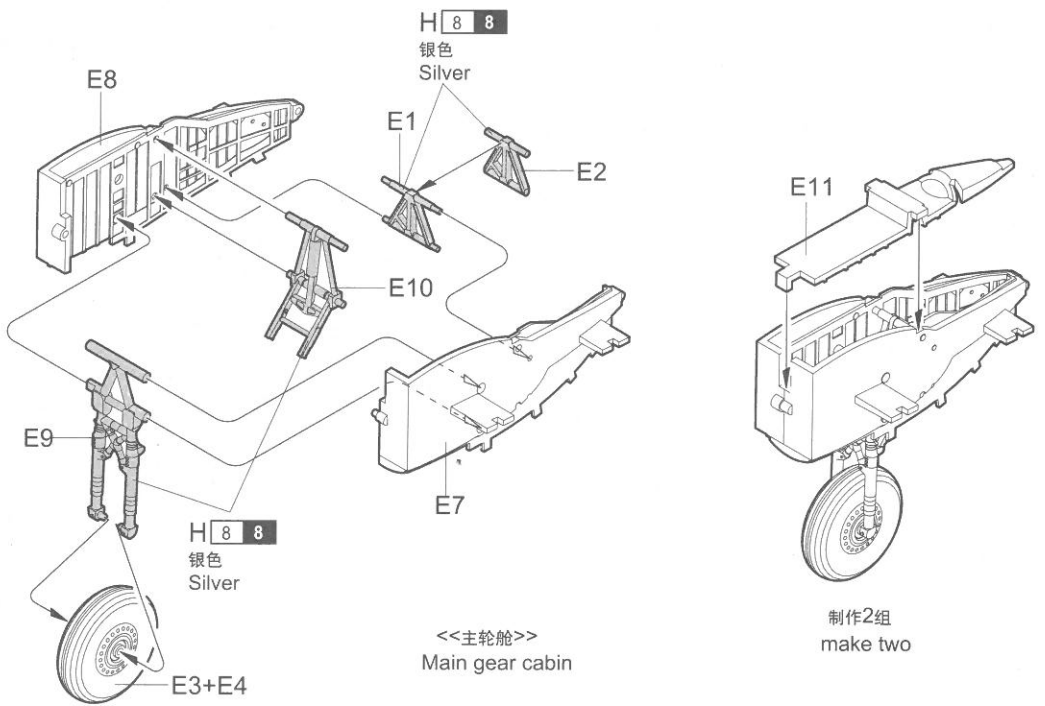
7



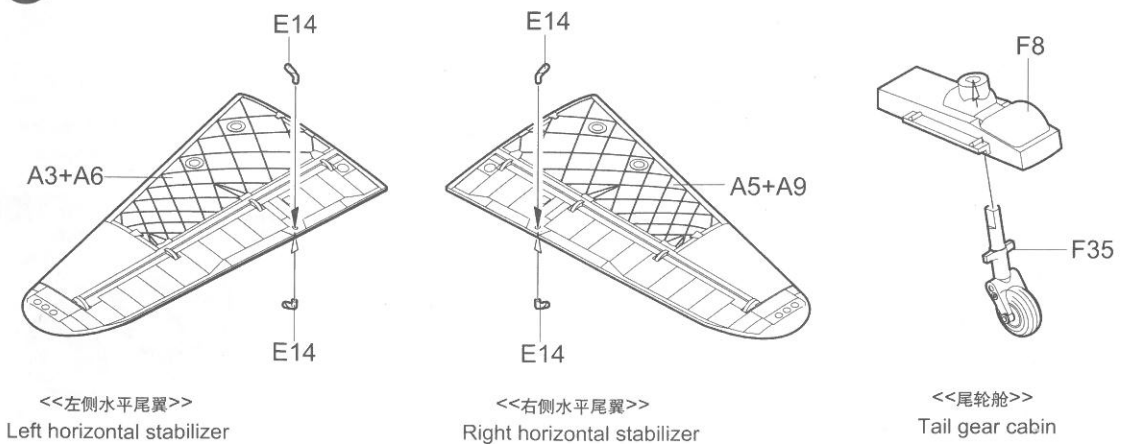
8



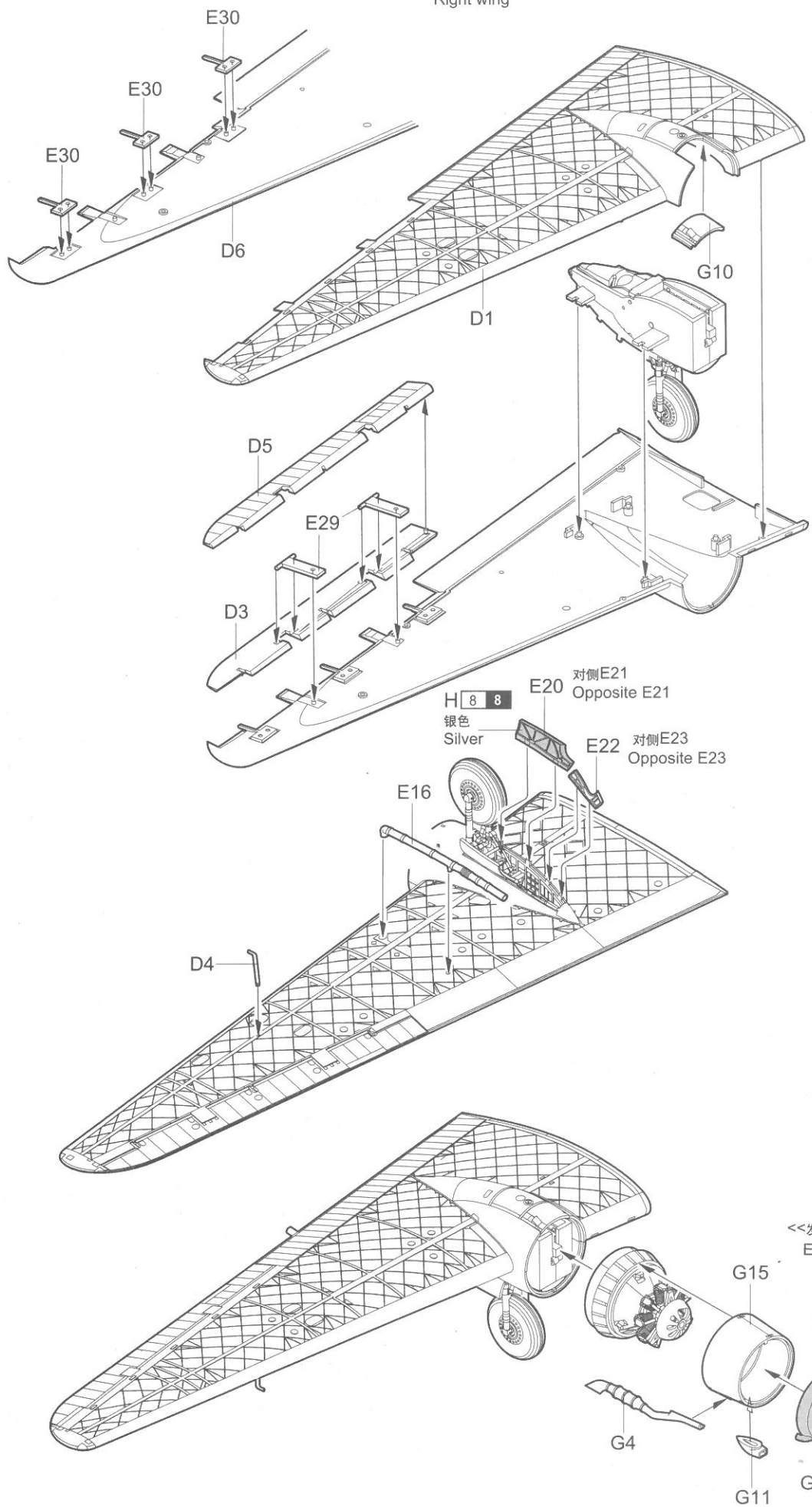
9



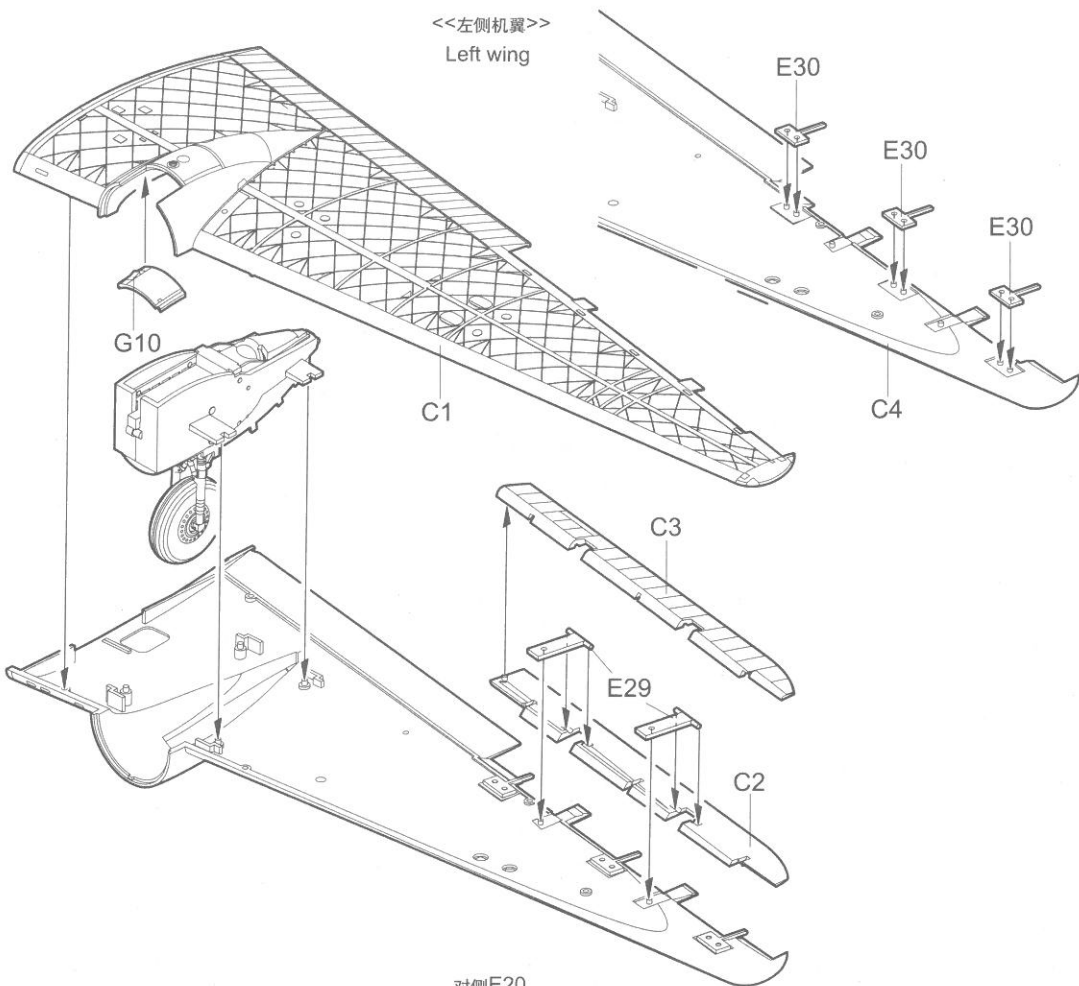
10



<<右侧机翼>>
Right wing



<<左侧机翼>>
Left wing



H 8 8
银色
Silver

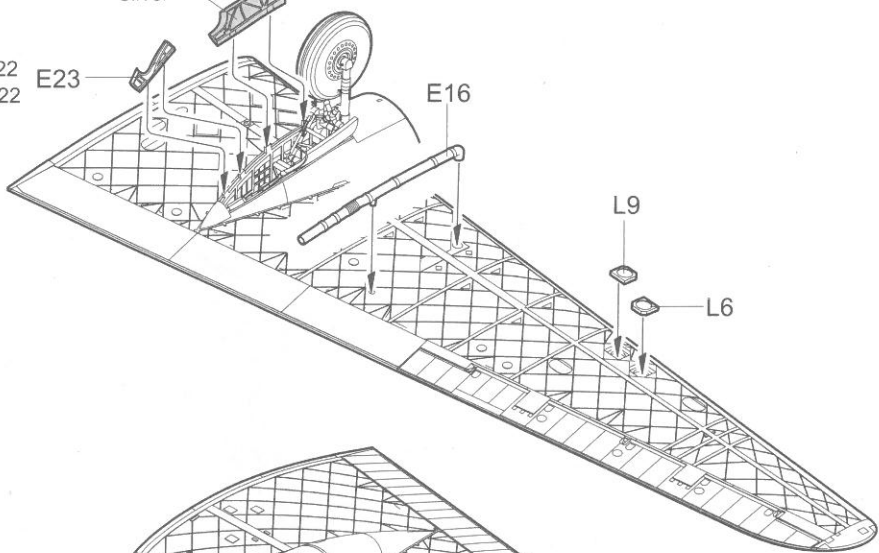
对侧E21
Opposite E20

对侧E22
Opposite E22

E23

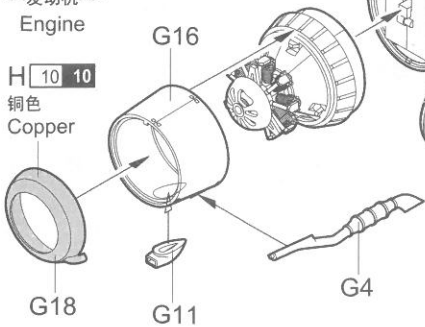
E29

E16

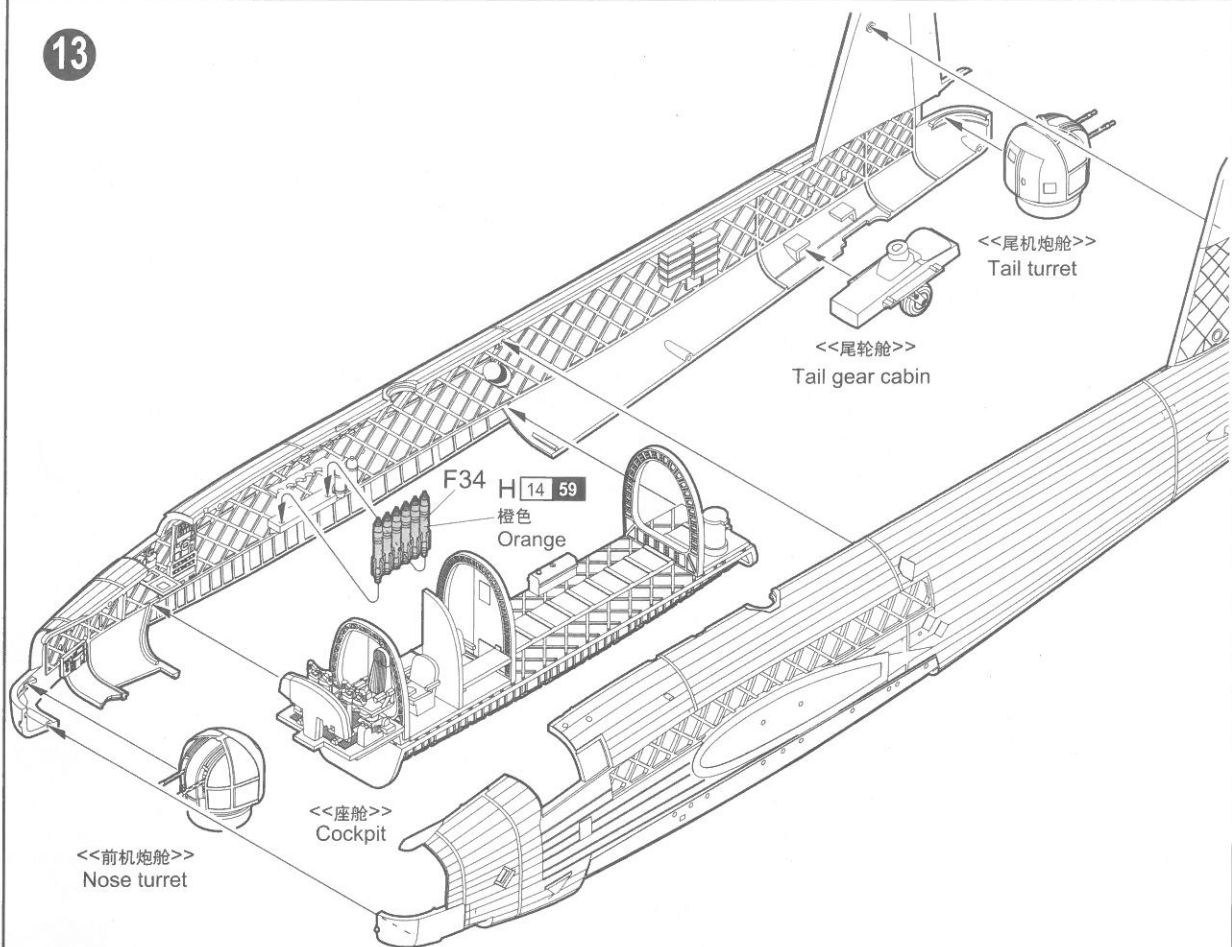


<<发动机>>
Engine

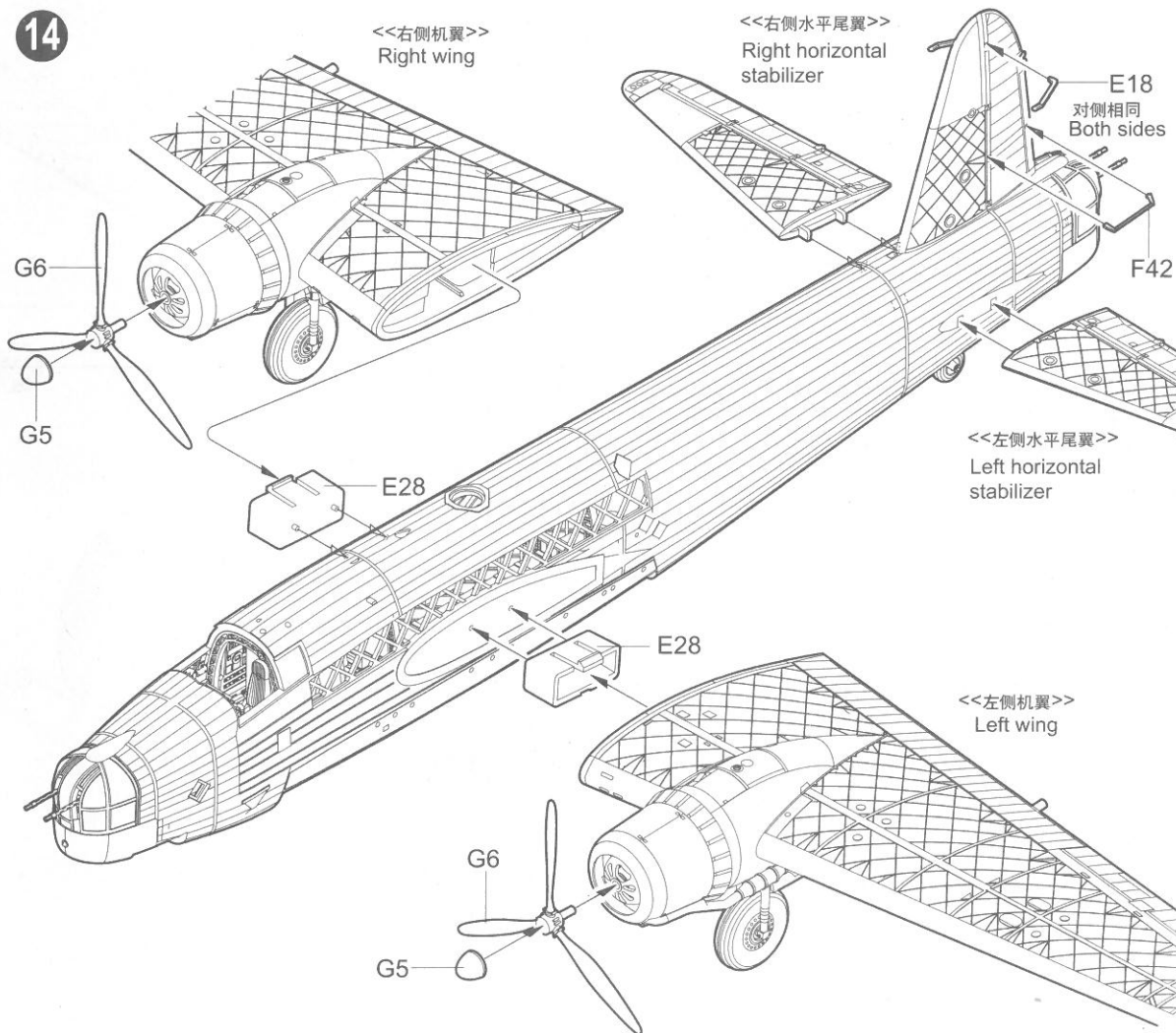
H 10 10
铜色
Copper



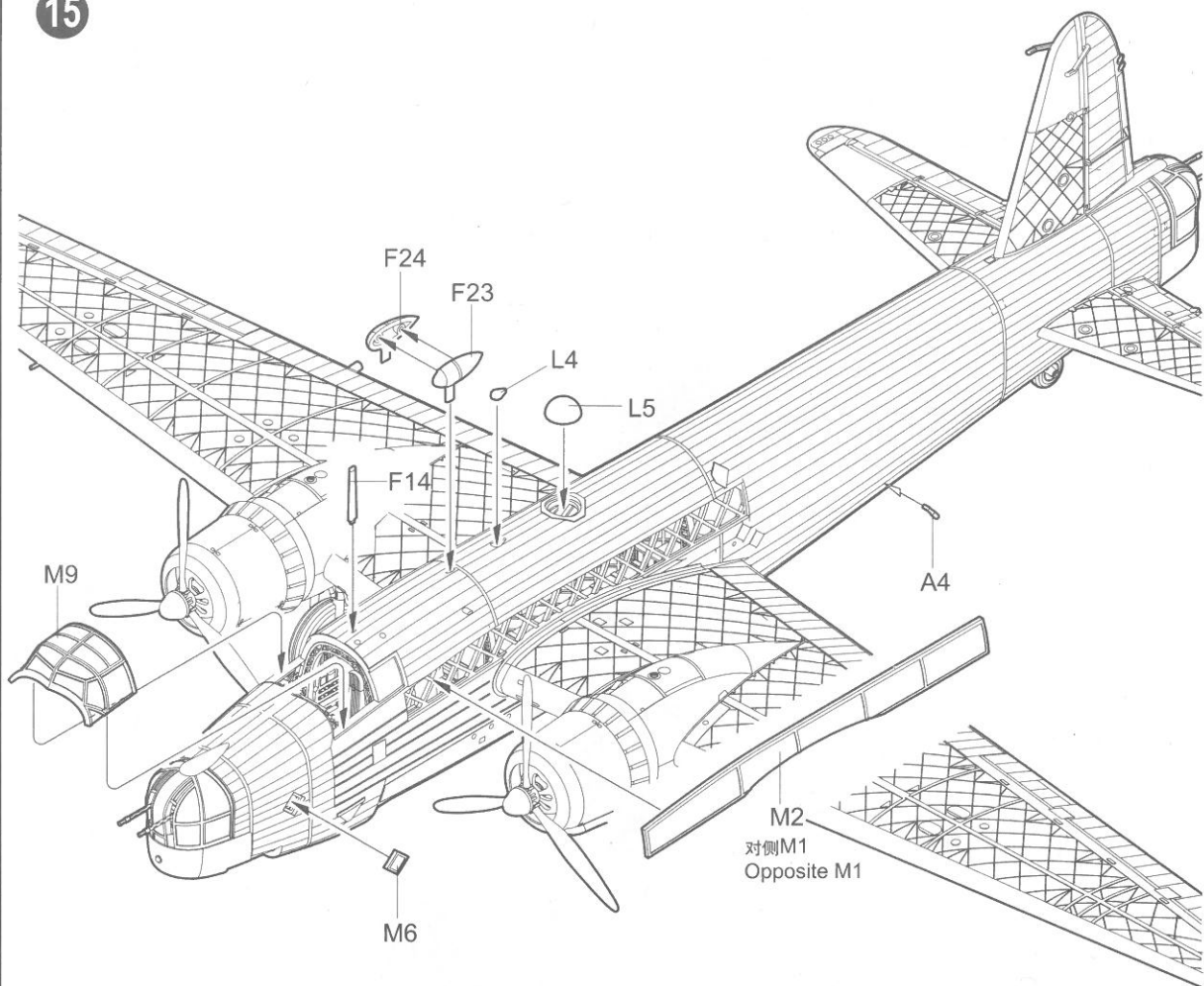
13



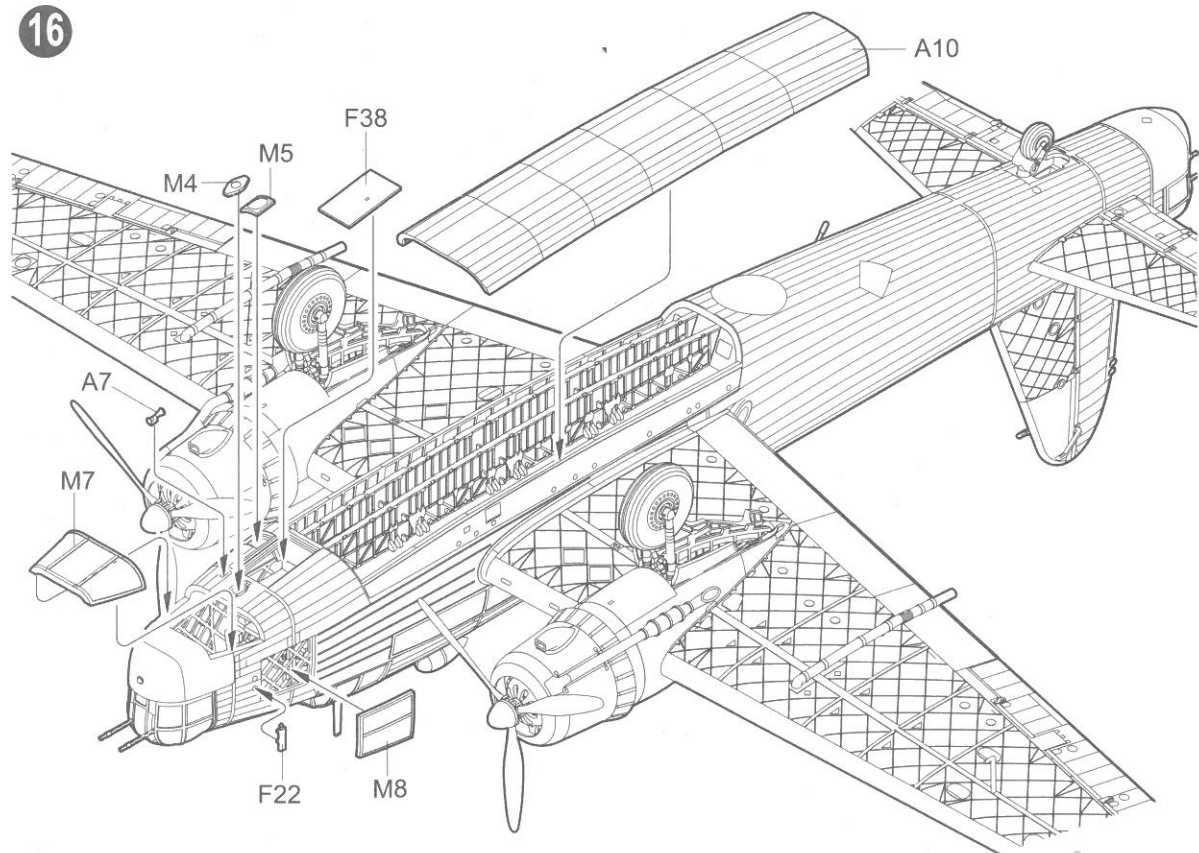
14



15



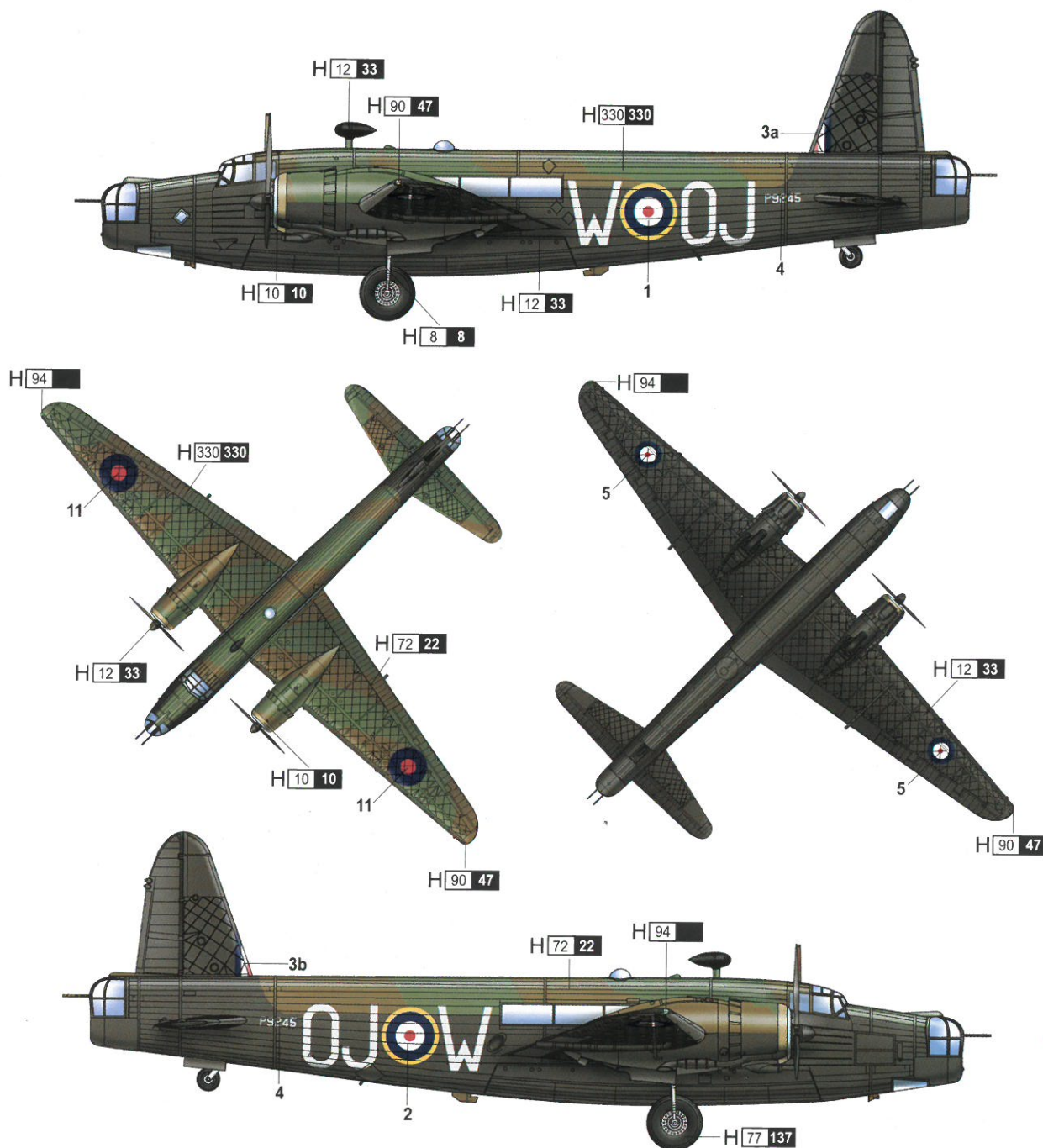
16



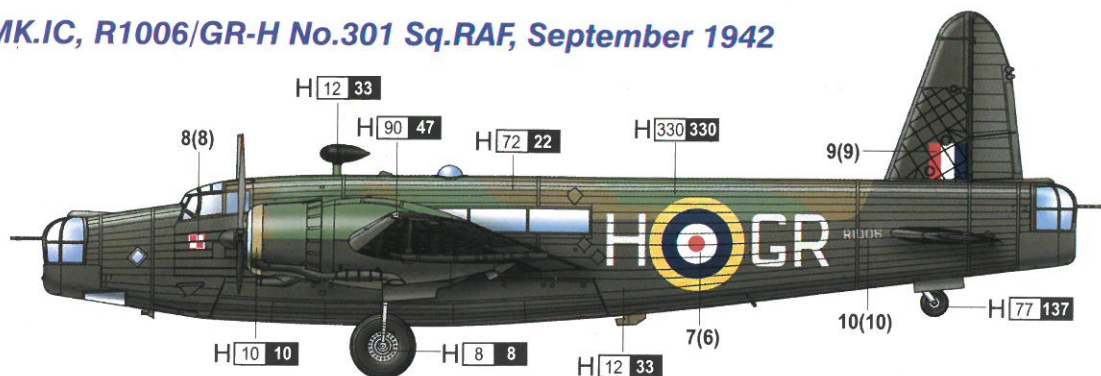
涂装同标贴指示
Painting & Marking guide

A *MK.IC, P9245/OJ-W No.149 Sq.RAF, September 1940*

Gunze					
H[94]	透明绿	Clear Green	H[12 33]	亚光黑	Flat black
H[8 8]	银色	Silver	H[90 47]	透明红	Clear Red
H[10 10]	青铜色	Bronze	H[77 137]	胎黑色	Tire Black
H[72 22]	深土色	Oak Earth	H[330 330]	深绿色	Dark Green BS381C/641



B *MK.IC, R1006/GR-H No.301 Sq.RAF, September 1942*



H[X] GUNZE SANGYO AQUEOUS HOBBY COLOUR X GUNZE SANGYO MR COLOUR

郡仕色使用
Gunze Mr. color used



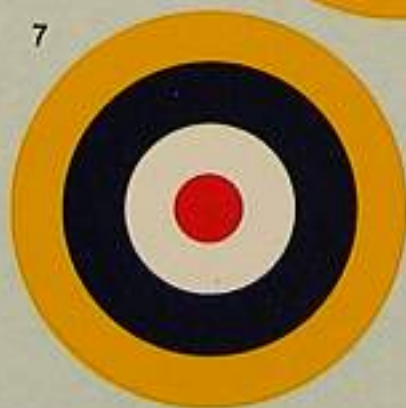
1



2



6



7



8



9



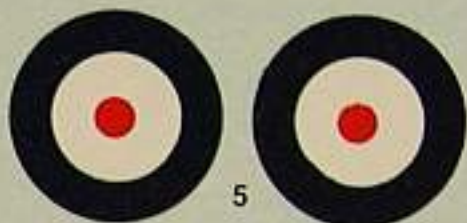
10



3a

3b

4



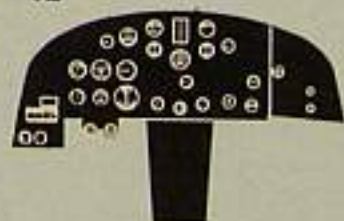
5



11



12



01626 1/72 Vickers "Wellington" MK.IC