

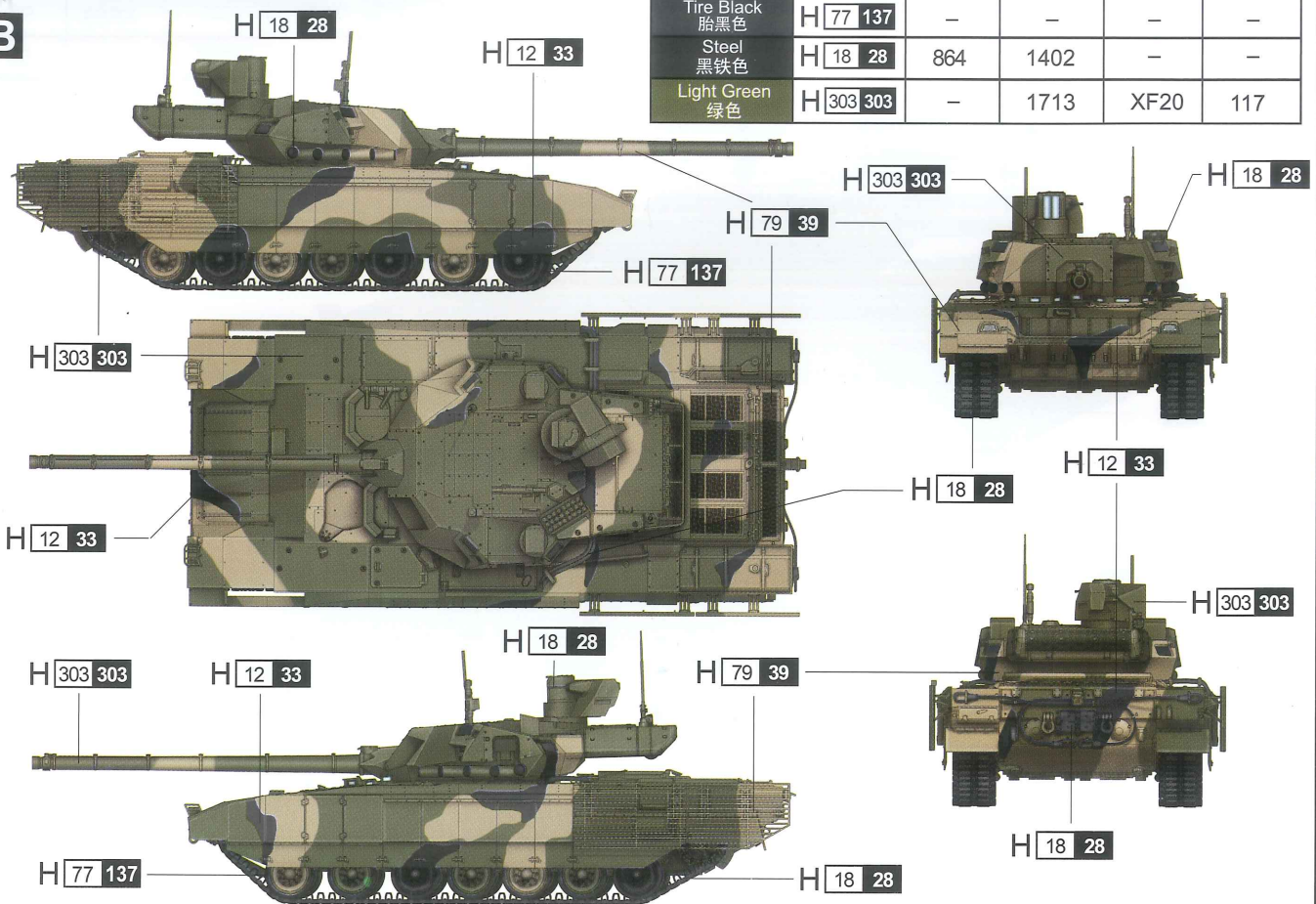
# 涂装同标贴指示

## Painting & Marking guide

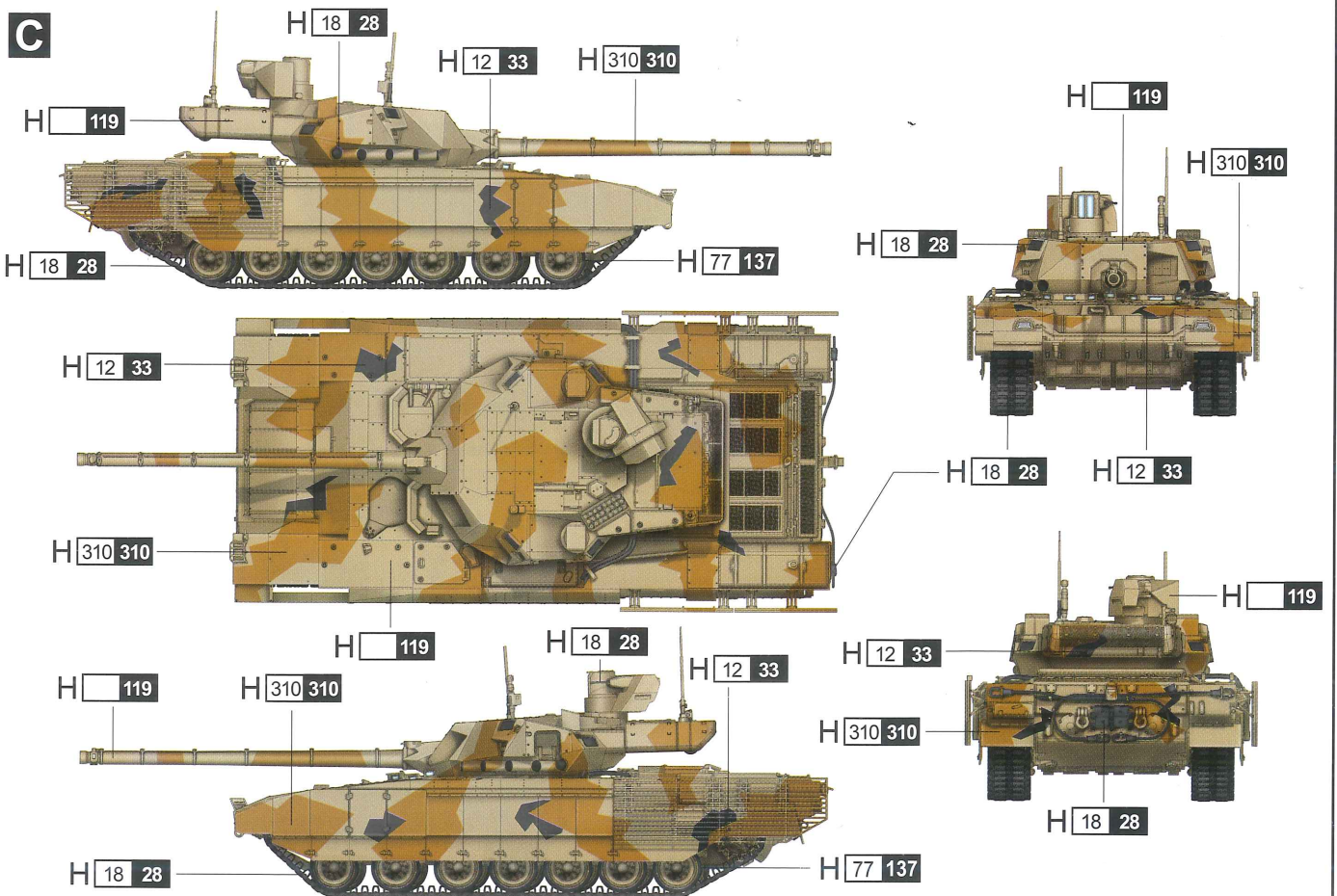
### PAINT REFERENCE COLOUR

Color	Mr.Hobby	Vallejo	Model Master	Tamiya	Humbrol
Flat Black 消光黑	H 12 33	950	1749	XF1	33
Tire Black 胎黑色	H 77 137	-	-	-	-
Steel 黑铁色	H 18 28	864	1402	-	-
Light Green 绿色	H 303 303	-	1713	XF20	117

**B**



**C**



H  AQUEOUS HOBBY COLOR     Mr. COLOR

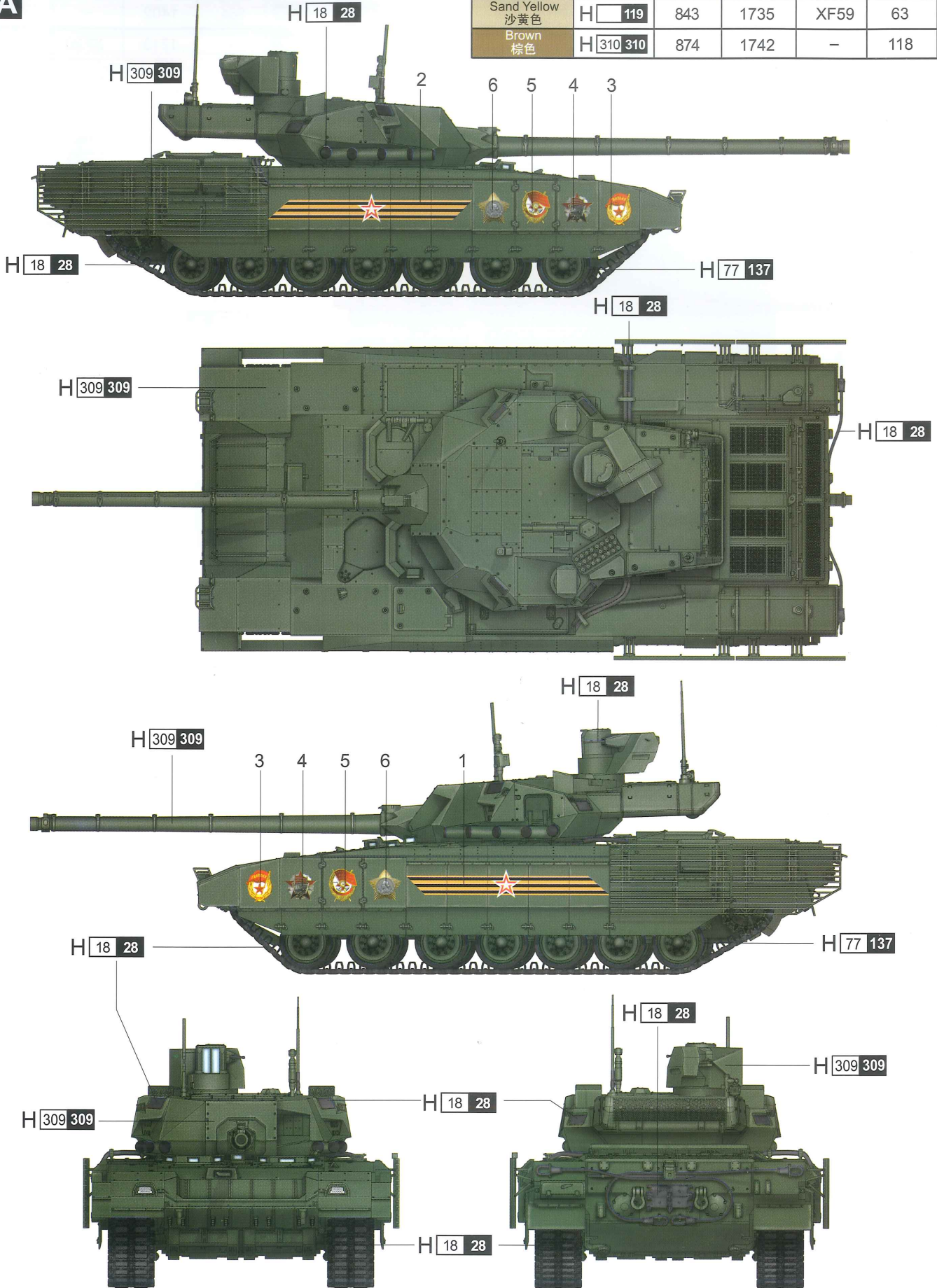
# 涂装同标贴指示

## Painting & Marking guide

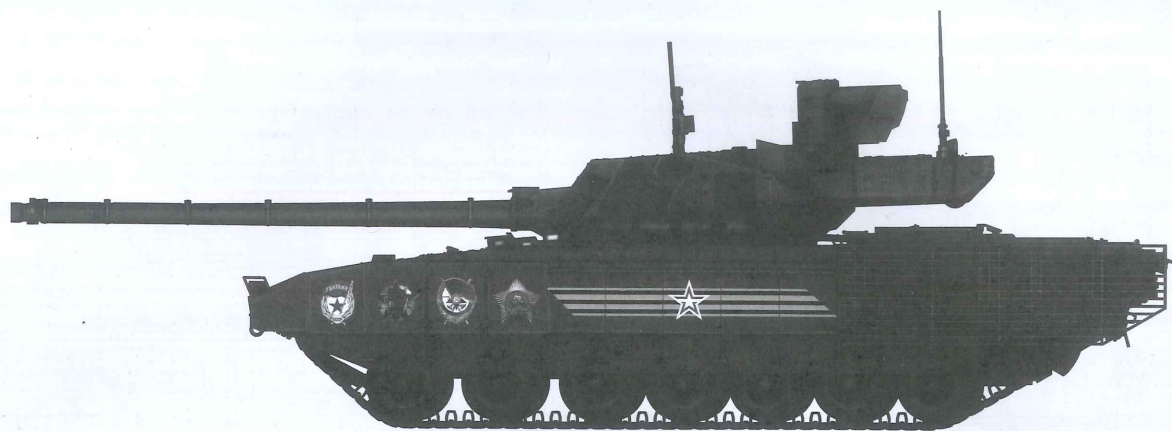
### PAINT REFERENCE COLOUR

Color	Mr.Hobby	Vallejo	Model Master	Tamiya	Humbrol
Dark Green 深绿色	H 309 309	893	1710	XF58	116
Sandy Yellow 砂黄色	H 79 39	824	-	XF59	93
Sand Yellow 沙黄色	H 119	843	1735	XF59	63
Brown 棕色	H 310 310	874	1742	-	118

**A**



H  AQUEOUS HOBBY COLOR    X  Mr. COLOR



# Russian T-14 Armata MBT

## 俄罗斯T-14“阿玛塔”主战坦克

### READ BEFORE ASSEMBLY:

- Study and understand these instructions thoroughly before beginning assembly
- When needed, remove photo-etch parts carefully using a modeling knife or photo etch sprue cutter, being careful not to damage or lose small parts.
- Take extra care in handling photo etch parts in order to avoid injury
- Apply instant cement sparingly to photo etch parts where instructed
- Tools recommended(not included in kit):Plastic and instant cements, sprue cutters,long nose pliers,modeling knife, small files, tweezers, pin vise & scissors. Soft cloth and sandpaper will also assist in construction
- Glue and paint are not included in the kit. Use plastic cement and hobby paints only. Color guide for purchasing paint is included in the kit.

### 装配之前仔细阅读

- 小心用模型锉刀锉平所有零件表面的注射浇口。
- 小心用刀片切下蚀刻片零件，不要遗失小零件。
- 用强力快干胶水粘合蚀刻片零件和金属轴。过量快干胶水使用可能导致可动零件会粘住，小心涂胶。
- 取蚀刻片时应特别注意安全，防止利边划伤手指。
- 某些零件表面需贴水上贴纸，请选择在装配的同时进行。
- 推荐模型工具(自备)：胶水，水口剪刀，长咀钳，刀片，锉刀，镊子，钳，钻，剪刀，瞬间快干胶。
- 软布同砂纸同时也应该是必备工具。
- 请使用塑料胶水和油漆，模型内不含。



配重  
Weight



使用强力胶  
Cyanoacrylate glue



钻孔  
Make hole



切除  
Cut / Remove



贴纸  
Decal



锉平  
File / Sand



选择  
Option



不涂胶水  
No cement



弯曲  
Bend



先装  
Install it first

### 水贴纸的使用:

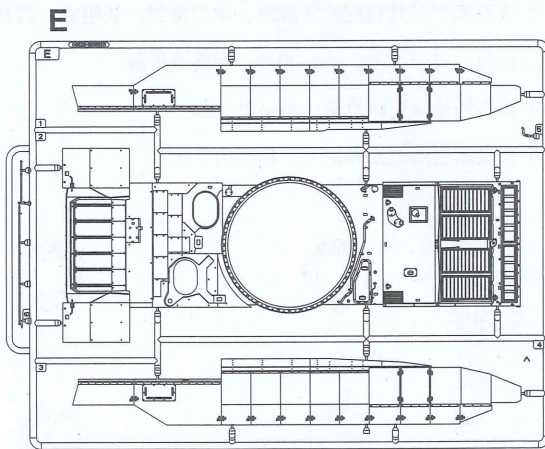
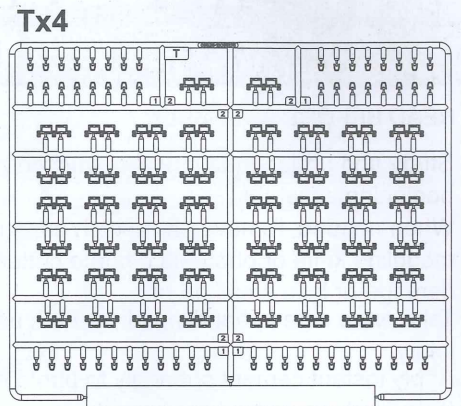
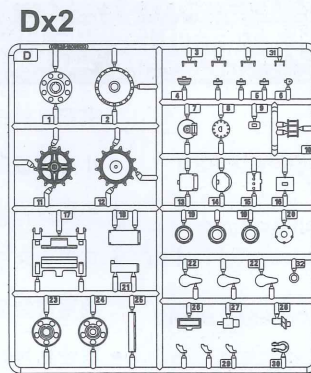
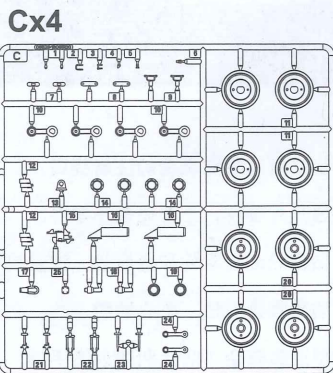
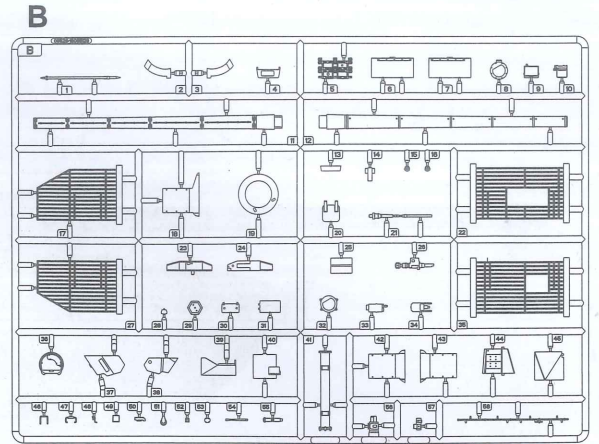
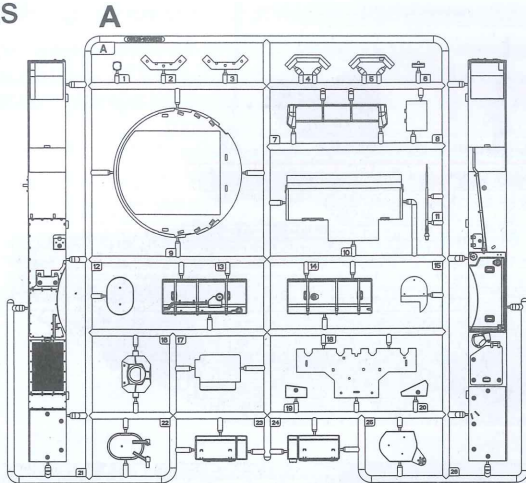
- 1.从水贴纸上剪下印花;
- 2.将印花放入温水中浸10秒, 然后放在干净布上。
- 3.拿着印花纸板将印花移到模型上;
- 4.手指蘸水将印花移到适当的位置;
- 5.用软布轻压印花直至水干, 气泡消失

### DECAL APPLICATION

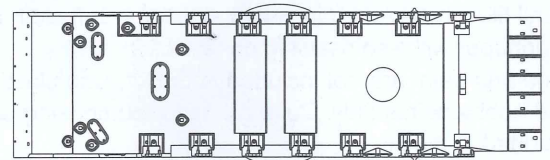
- 1.Cut decals from sheet as needed
- 2.Dip the decal in warm water for about 10 seconds and then place on soft clean cloth.
- 3.Hold the decal backing sheet edge and gently slide the decal onto the model in its proper position.

- 4.While still wet,decal can be adjusted for better fit on model by dampening it gently with your finger.
- 5.When placed in the proper position,gently press decal down with a soft cloth until excess water and air bubbles are gone.
- 6.Allow decal to dry completely before handling model

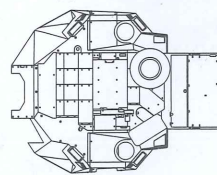
部品图  
Parts



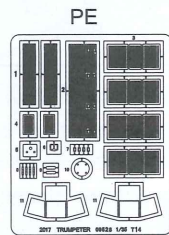
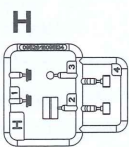
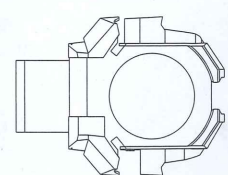
《车底》  
Lower hull



《炮塔》  
Upper turret



《炮塔底》  
Lower turret



《铜线》  
Brass wire



《黑色软管》  
Vinyl tubing



《水贴纸》  
Decal

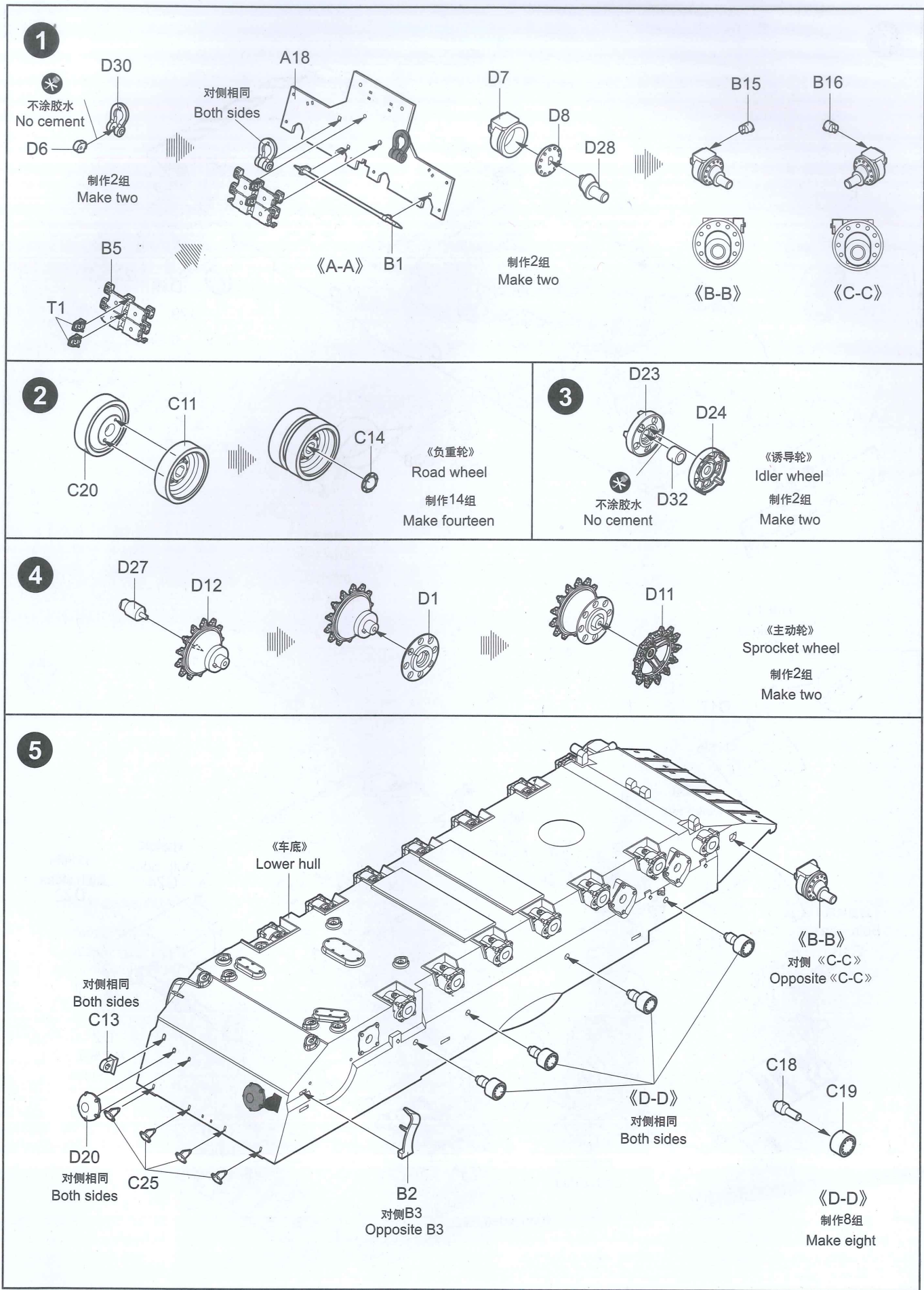


A

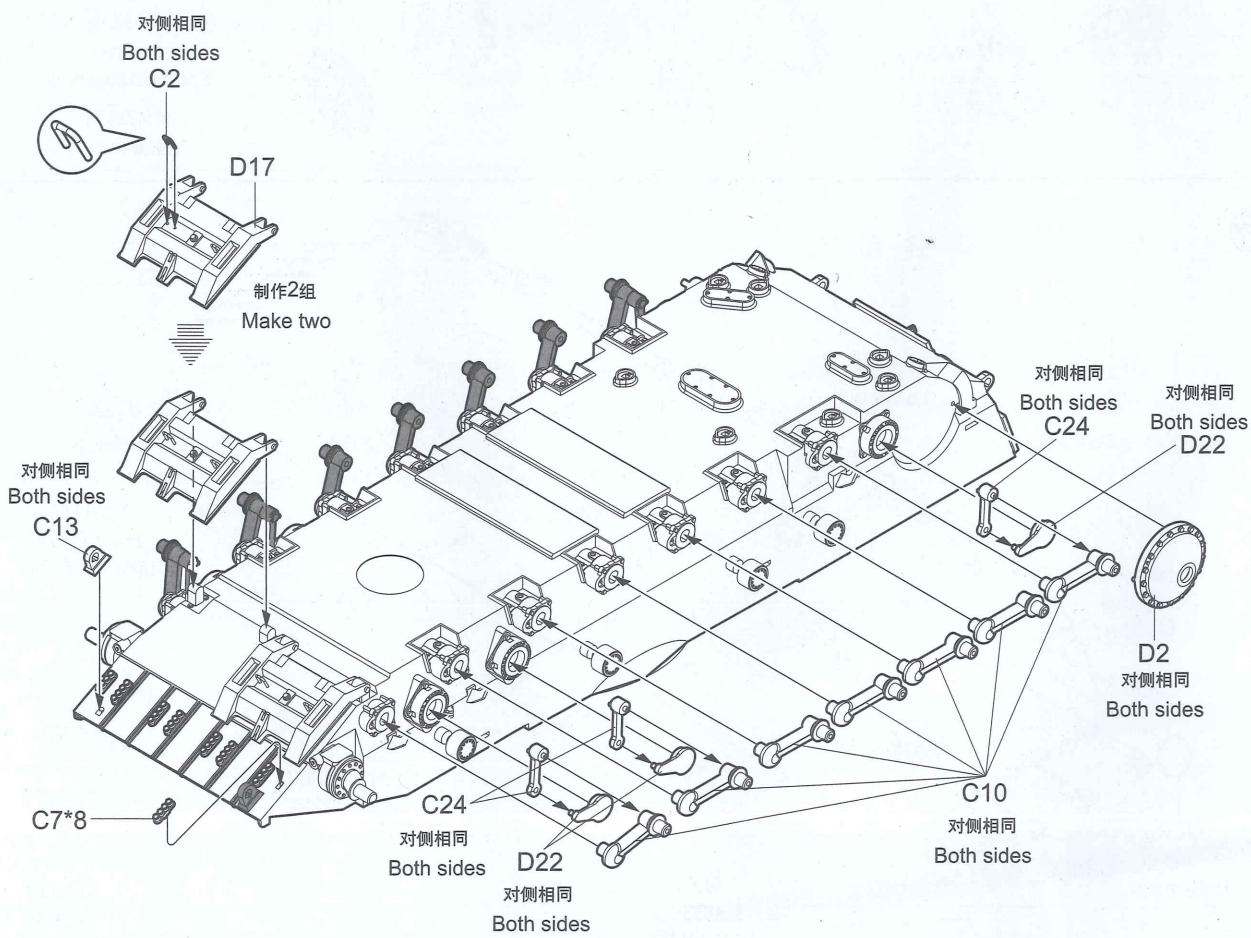
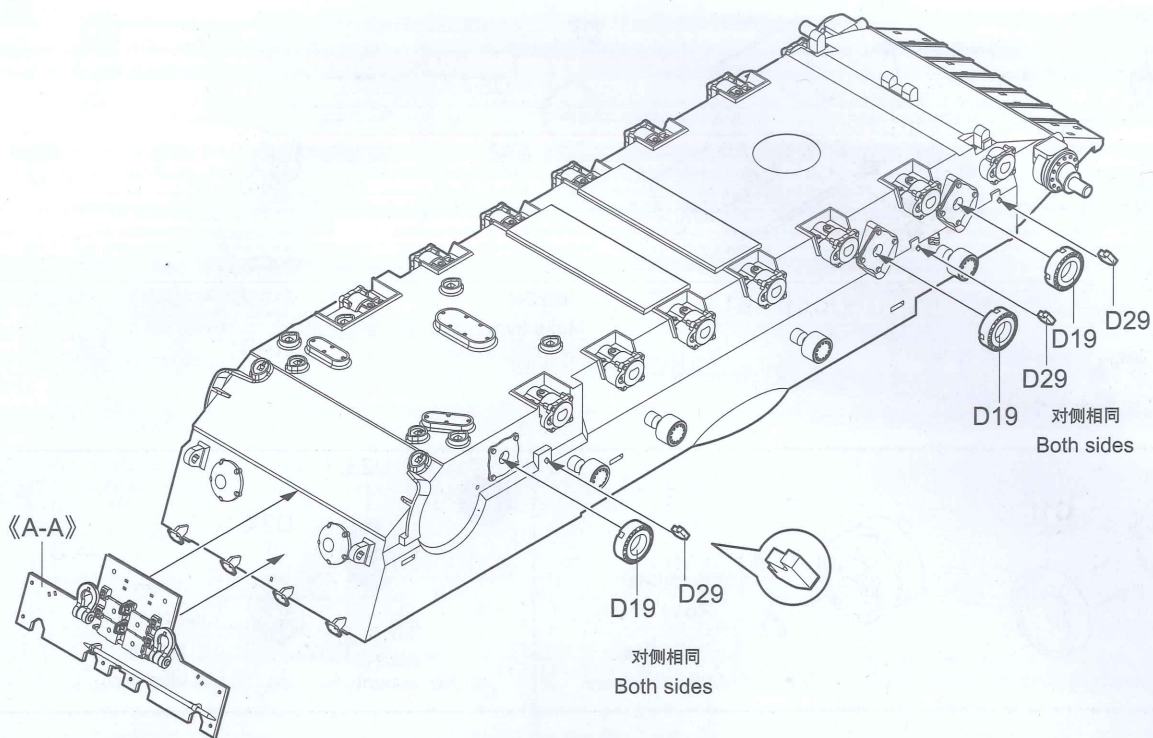


B

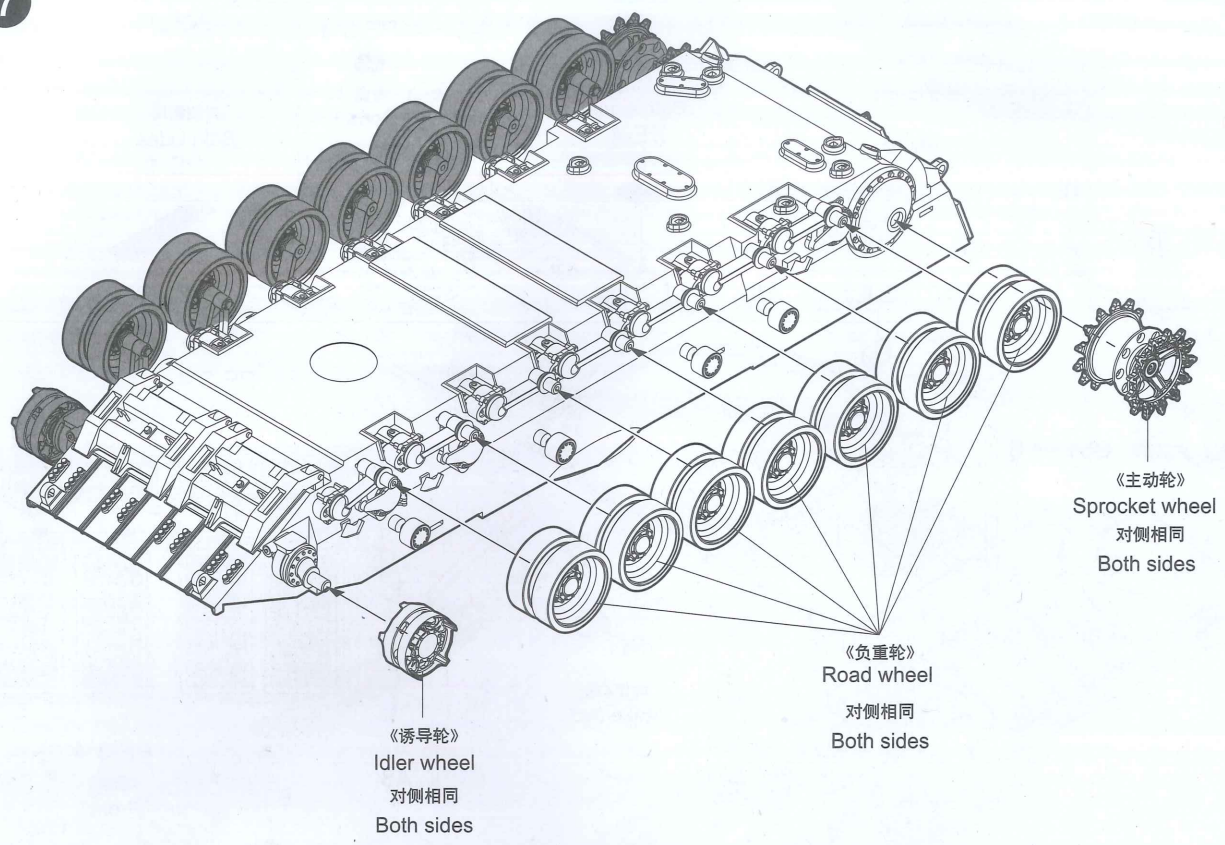
不用的部件: D13、B43  
Unused parts



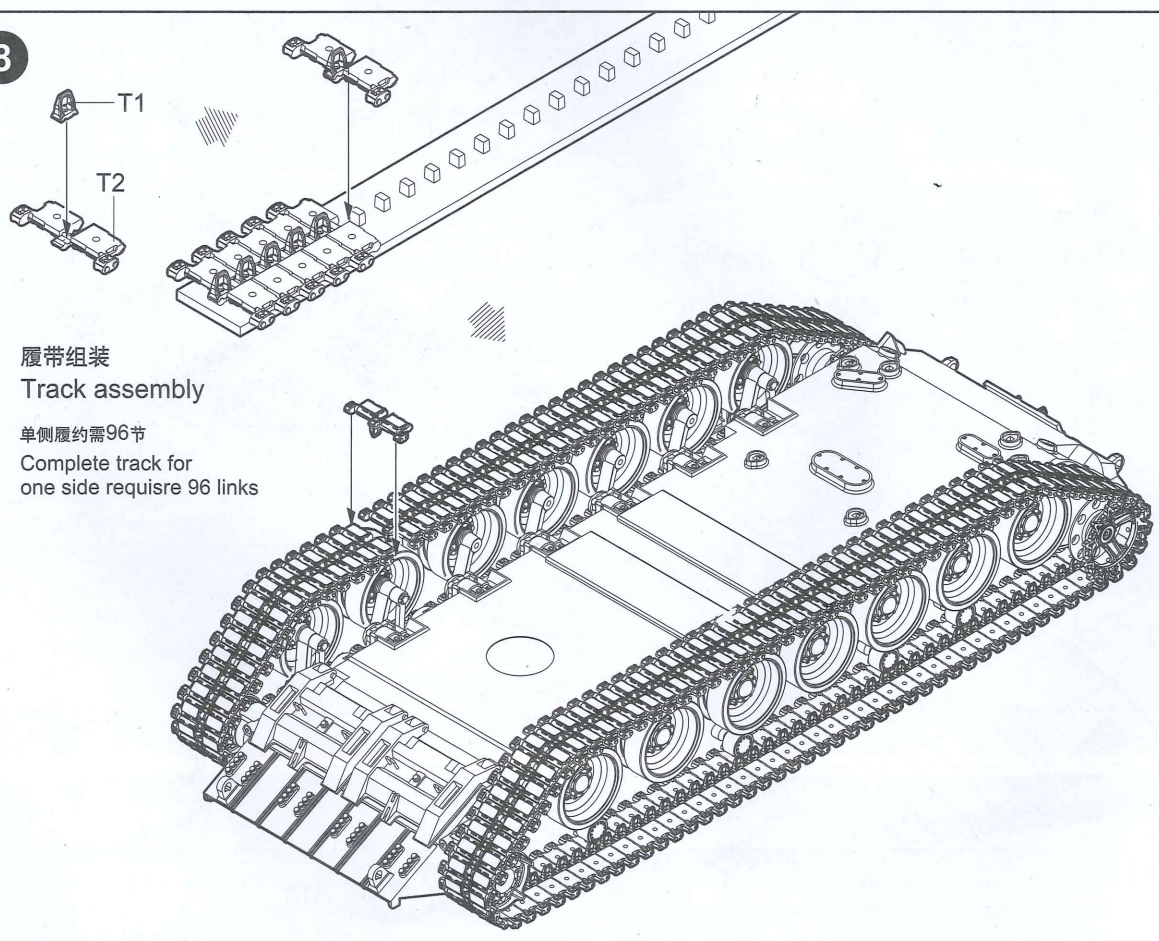
6



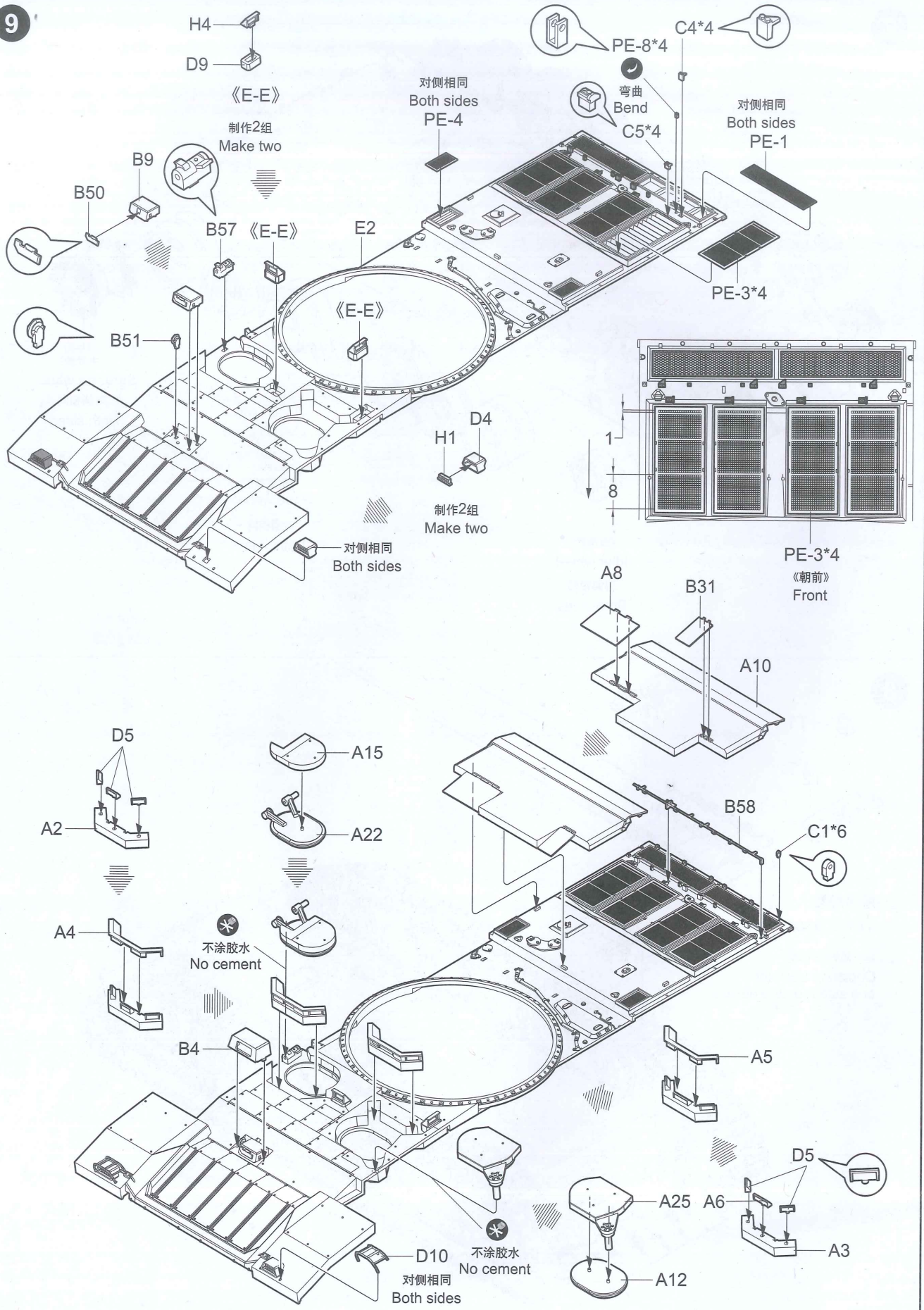
7



8

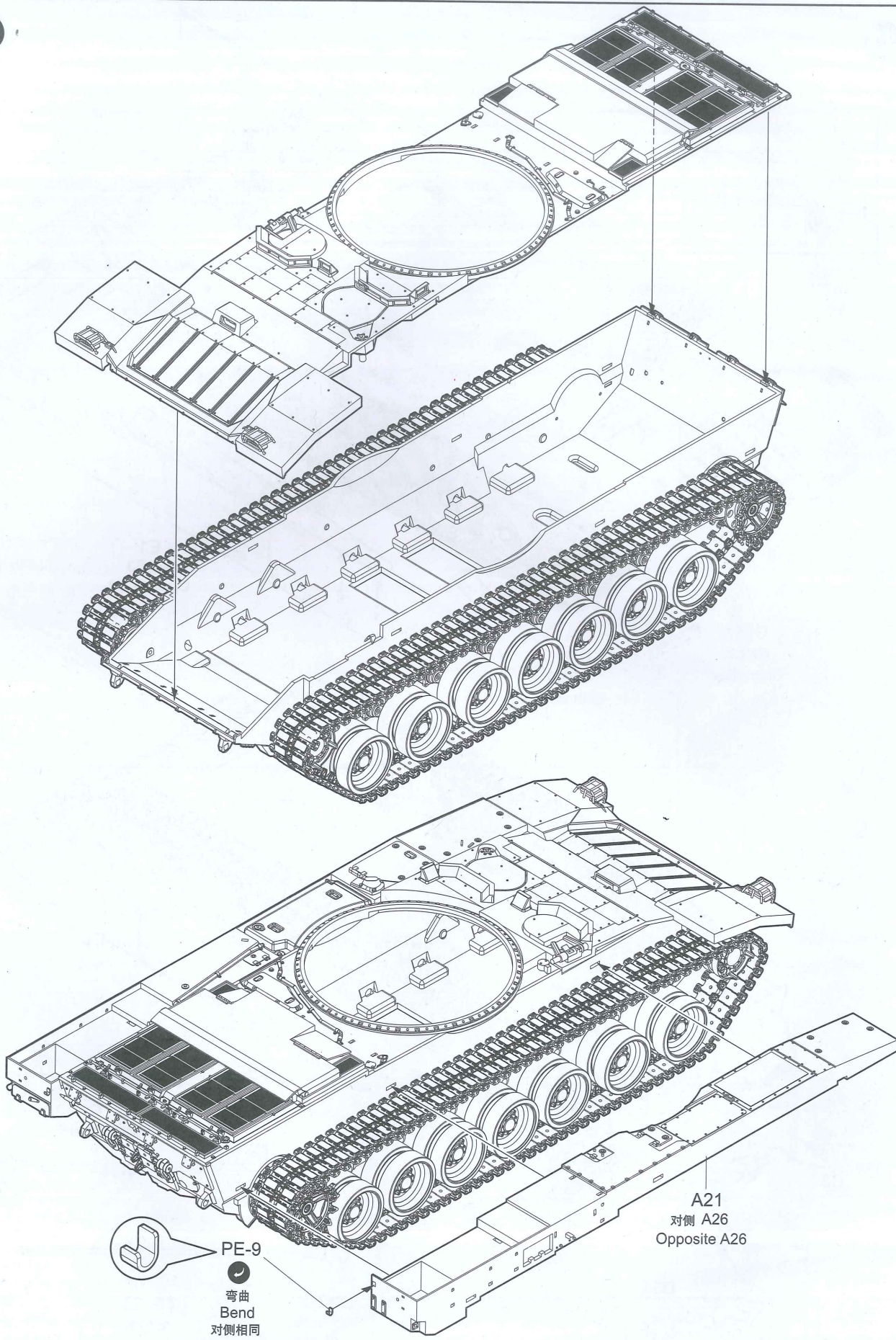


9

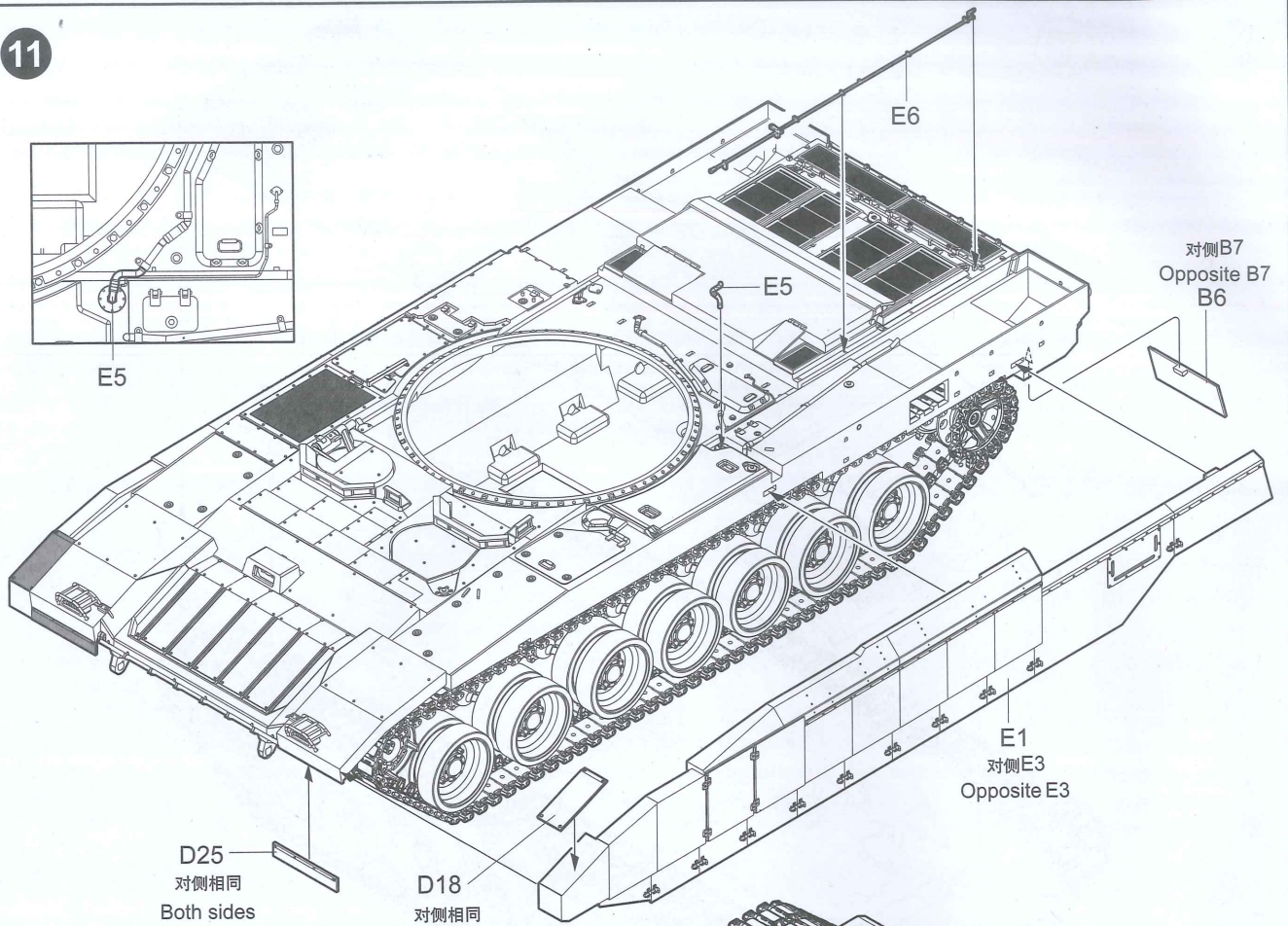




10

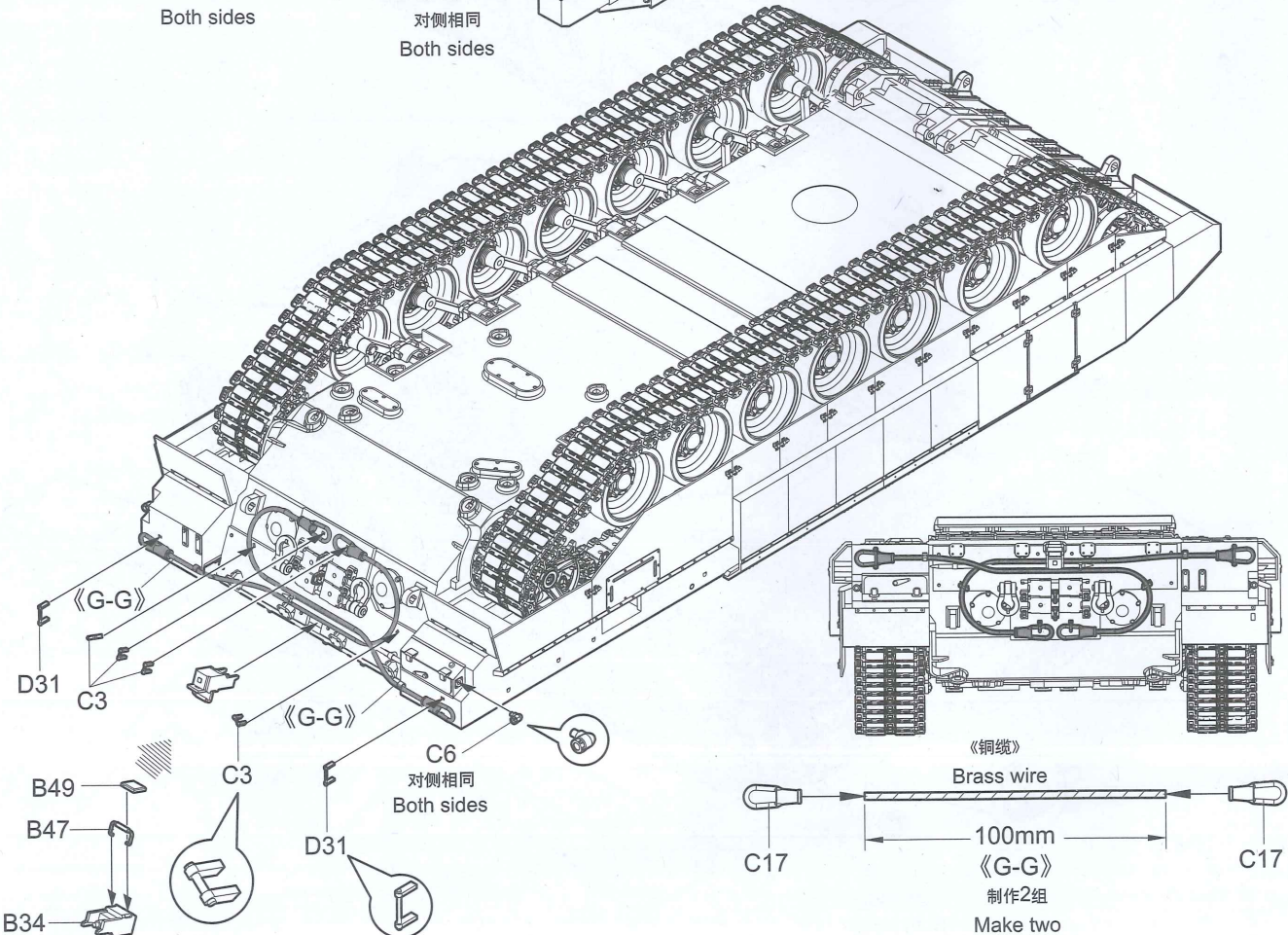


11

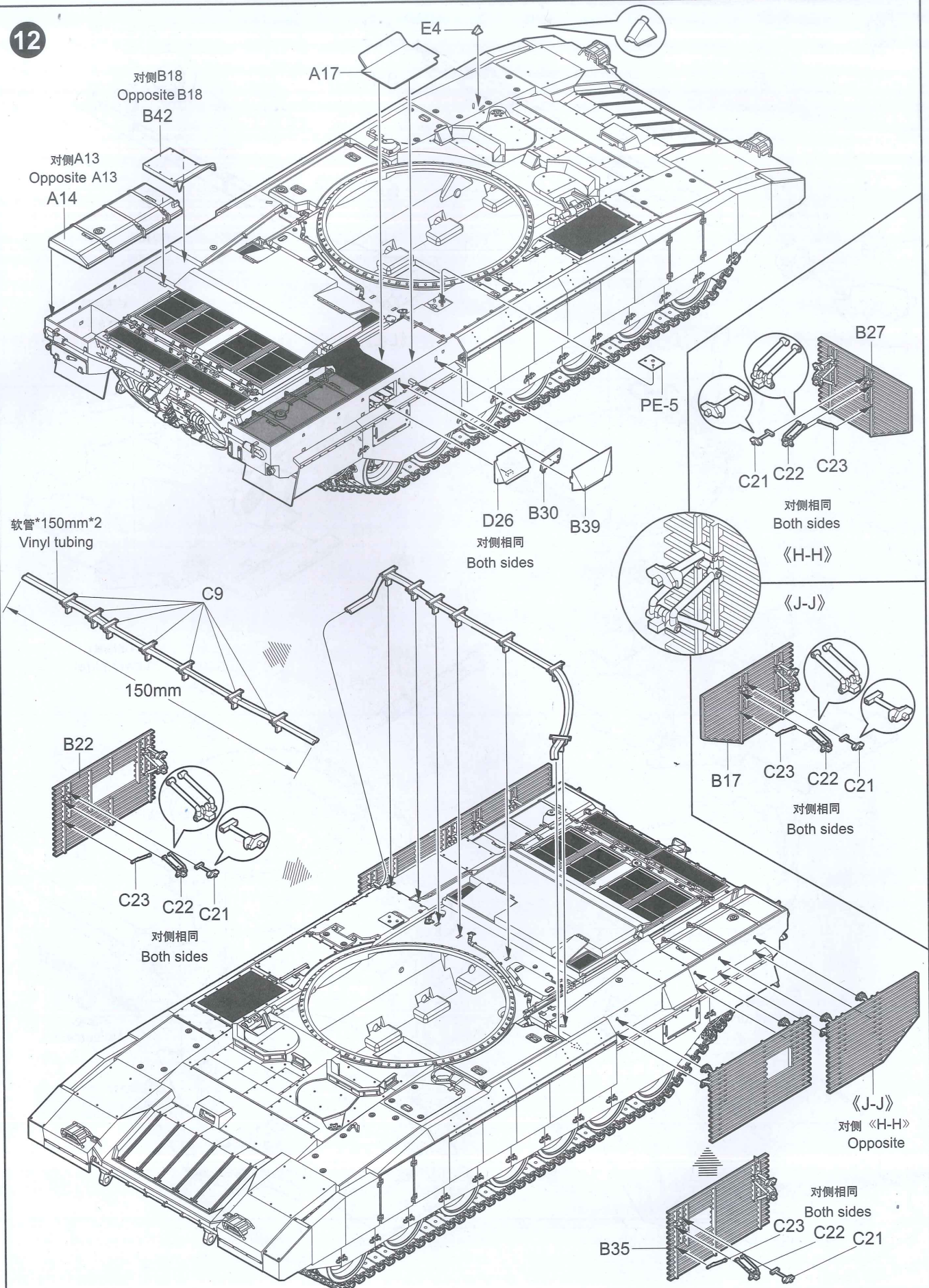


D25  
对侧相同  
Both sides

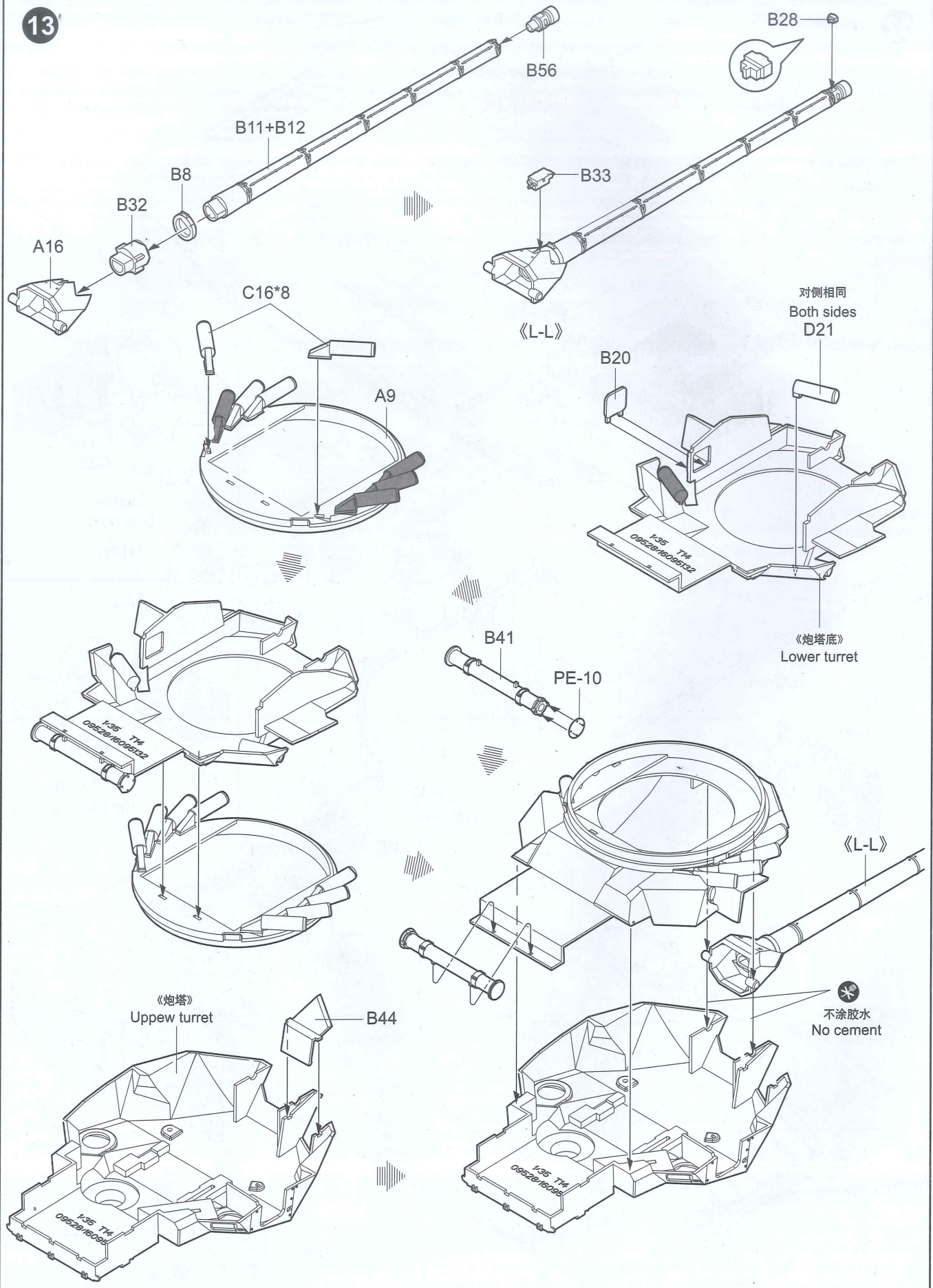
D18  
对侧相同  
Both sides



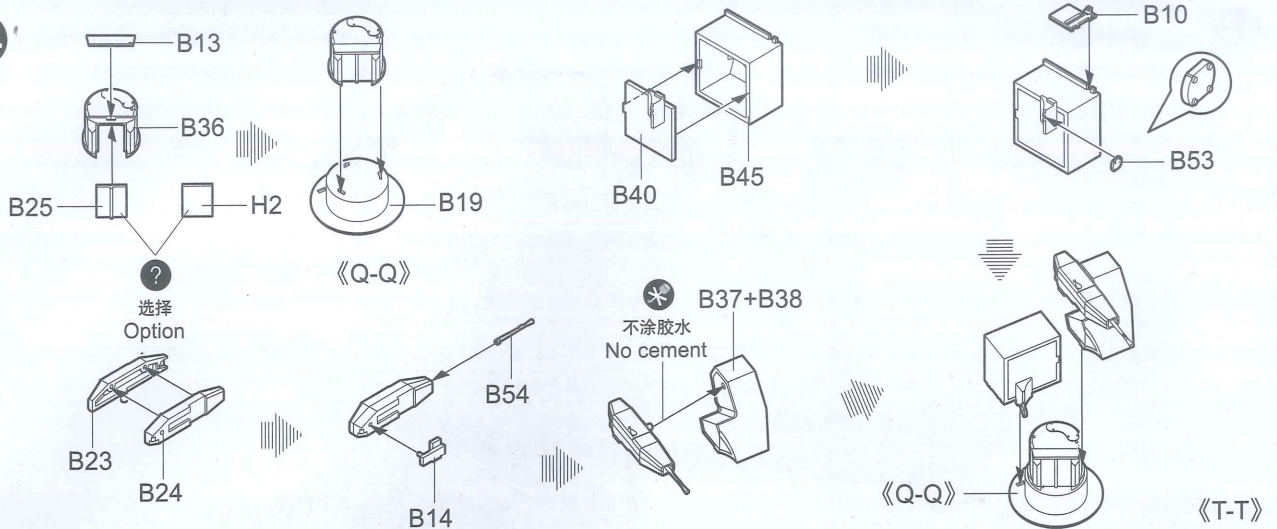
12



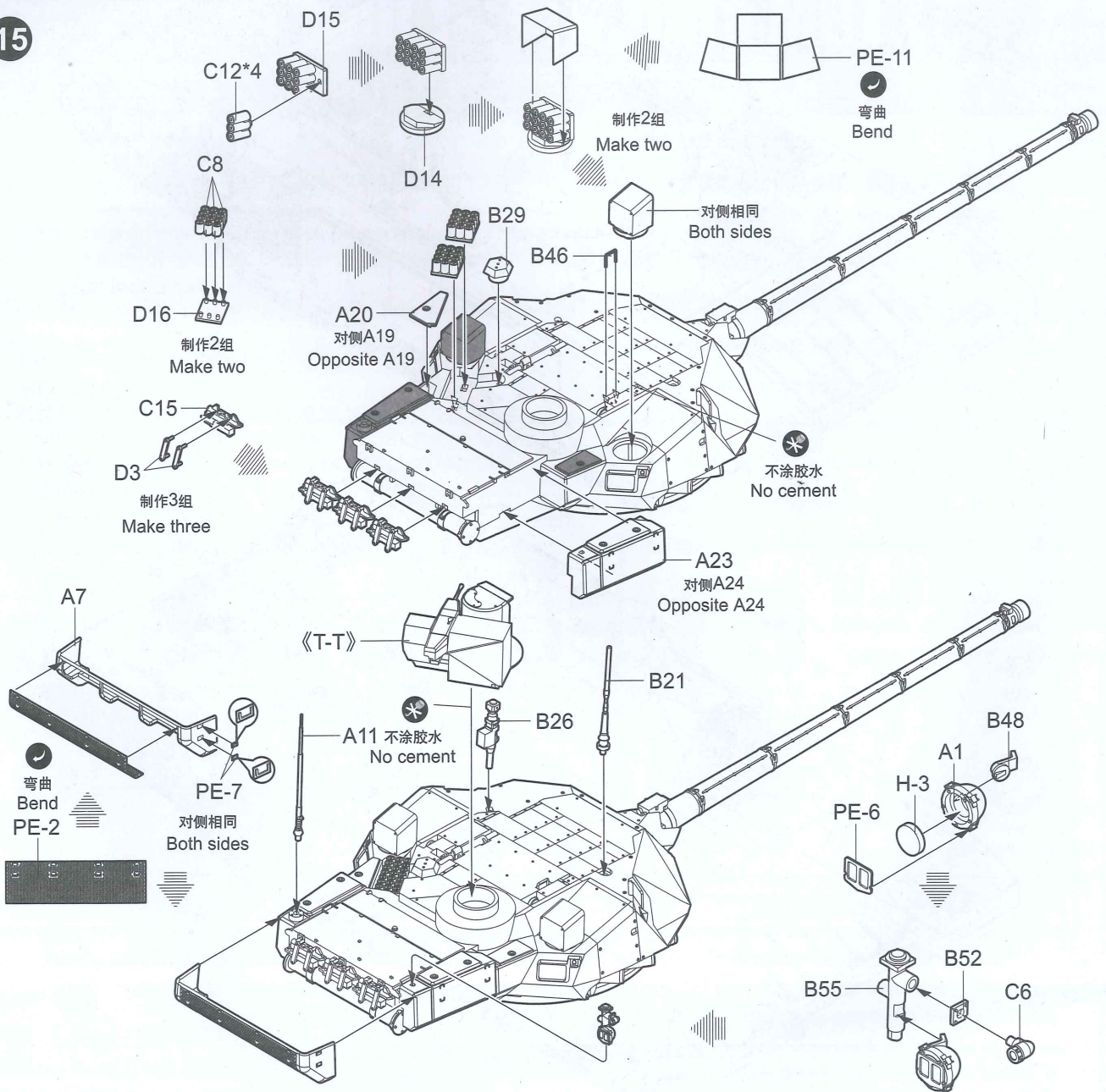
13



14



15



16

