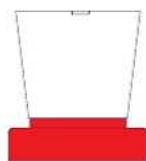
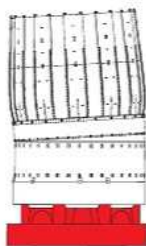


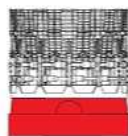
CUT



R3 X2



R2 X2



R1 X2

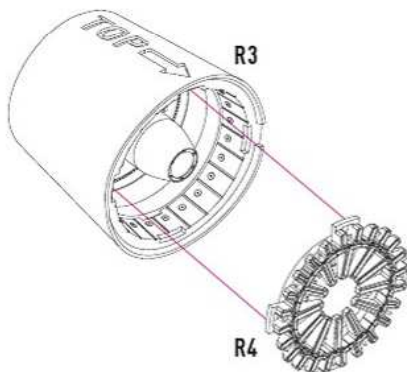


R4 X2

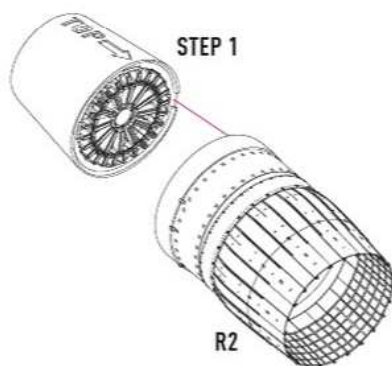
USE A SAW TO REMOVE SUPPORTS
FROM 3D PRINTED PARTS



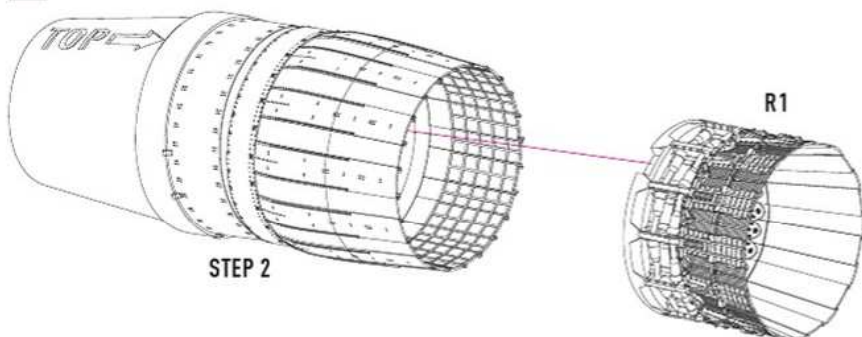
1 X2



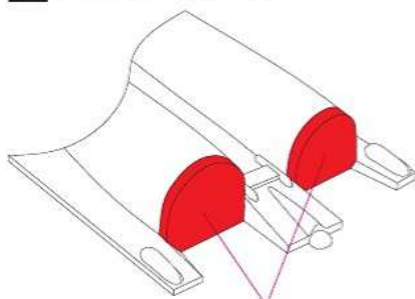
2 X2



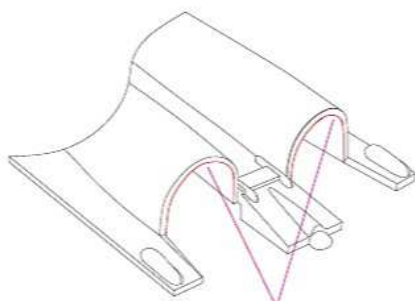
3 X2



3 PART A2 FROM THE KIT

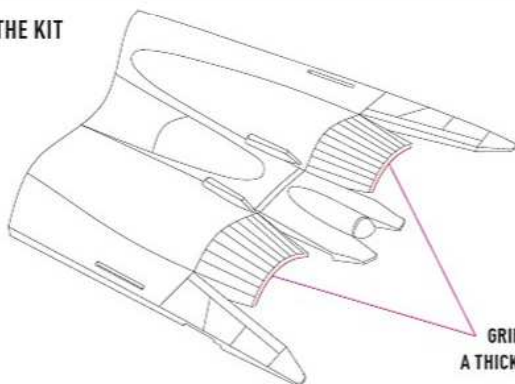


DELETE ALONG THE SEAM LINE



GRIND DOWN TO A THICKNESS - 0.4 MM,
AND A DEPTH - 10 MM

4 PART A1 FROM THE KIT



GRIND DOWN TO
A THICKNESS - 0.15 MM

