

VS720001 Pz.kpfw VIII Maus V2
德國超重型坦克“鼠”
(二號試驗車體搭載1號試驗炮塔)



VS720003 PZ.KPFW.V'PANTHER' AUSF.G
'黑豹' G中型坦克後期生產型



VS720005 Flakpanzer VIII 'Maus'
德國超重型防空坦克“鼠”



VS720008 Pz.Kpfw.V 'Panther' Ausf.G
德國“黑豹”G中型坦克夜戰型
(搭載F. G. 1250紅外成像和測距系統)



VS720002 A-34 'Comet' MK.1A
A-34英軍“彗星”巡洋坦克MK.1A型



VS720004 A-34 'Comet' MK.1B
A-34“彗星”巡洋坦克MK.1B



VS720006 PANZERKAMPFWAGEN'MAUS II'
德國超重型坦克“鼠2”型



VS720010 Sdkfz.173 Jagdpanther G1 Late Production
德國Sdkfz. 173“獵豹”G1重型坦克殲
擊車後期型



Meaning of icons



FILL HOLE
填平孔洞



OPEN HOLE
鑽出孔洞



OPTIONAL
可選擇使用



2 SETS NEEDED
同樣的制作二組



REMOVE
切除



BE CAREFUL
小心注意



APPLY DECAL
貼上水貼



BEND
曲折



DO NOT CEMENT
不用粘接



INSTANT GLUE
速干膠
瞬間接着劑

CAUTION:

1. When you use glue or paint, do not use near an open flame, and sue in a well-ventilated room.
2. Cut the parts off properly and throw waste parts into dustbox at once.
3. Keep all parts out of small children. Children must not be allowed to put any parts in their mouths, or pull plastic bags over their head.
4. Do not play with the parts for any other purpose, as some parts may be to sharp. More caution and care needed for families with infants.

注意:

1. 當組裝模型時應遠離火種及在空氣流通的房間內進行。
2. 廢置膠料應掉棄在環保回收的垃圾箱內。
3. 由於模型套件有許多細小零件，請勿讓小孩接觸以免產生誤吞之危險。也別讓小孩把包裝膠件之透明塑料袋套在頭上，這很容易引致窒息。
4. 由於零件有不少尖角部份，請勿把玩及作其他用途，請注意及小心保護你的家人。

CORRECT METHOD FOR APPLYING DECALS:

1. Clean model surface with wet cloth.
2. Cut out of decal sheet and dip them in cold water for 15 seconds.
3. Place decal on proper position on model.
4. Slide off base paper leaving decals on model with wet finger tip.
5. Adjust decals to exact position, push out excess water under decal with soft cotton cloth.

正確貼上水貼紙的方法:

1. 將模型表面擦幹淨。
2. 將貼紙剪下泡入清水中約15秒。
3. 將泡濕之貼紙取出置放欲貼處旁。
4. 用指尖輕推貼紙表面使其滑出底紙。
5. 將貼紙調整至適當位置并輕擦拭水份。

Ax2

Bx2

Turret x1

Lower hull x1

Ax2

Cx1

Dx1

Upper hull 1 x1

Upper hull 2 x1

Hx2

Decal x1

Pa x1

Pb x1

Accurate 3D printed muzzle brake
 高精度紅纖打印製退器

Metal barrel
 金屬炮管

Not for use part(不使用的部件)

Colour	MR.Hobby	Hobby Color	Humbrol	Tamiya
A Dark Yellow	H-79	C-39	84	XF-60
B Red Brown	H-47	C-41	62	XF-64
C Dark Green	/	C-70	88	XF-89
D Tire Black	H-305	C-137	33	XF-85
E Steel	H-18	C-28	53	X-10

1

Lower hull A27

A5 A21

A5 A5 A5

Both sides

C17 Opposite side C16

A17 x2

A23 A22 x2

2

Paint option 1

H5 H4 H3 x2

Paint option 2,3

A25 A24 A26 x2

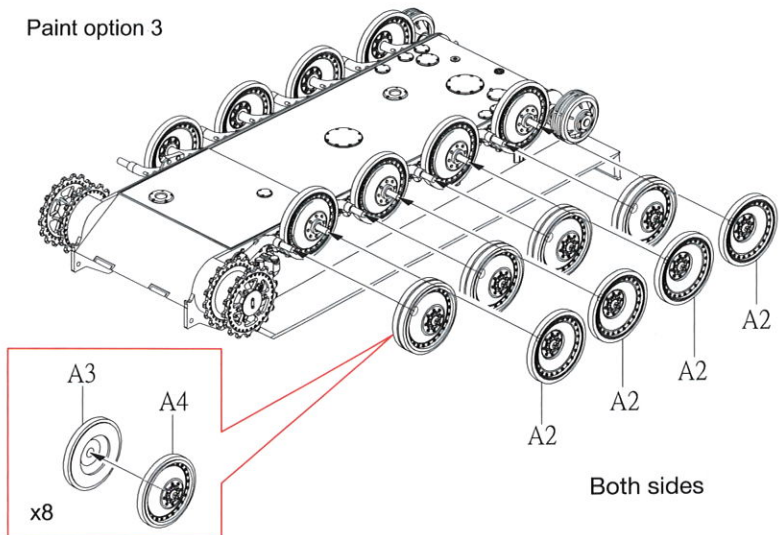
Paint option 3

A1 A1 A1 A1

Both sides

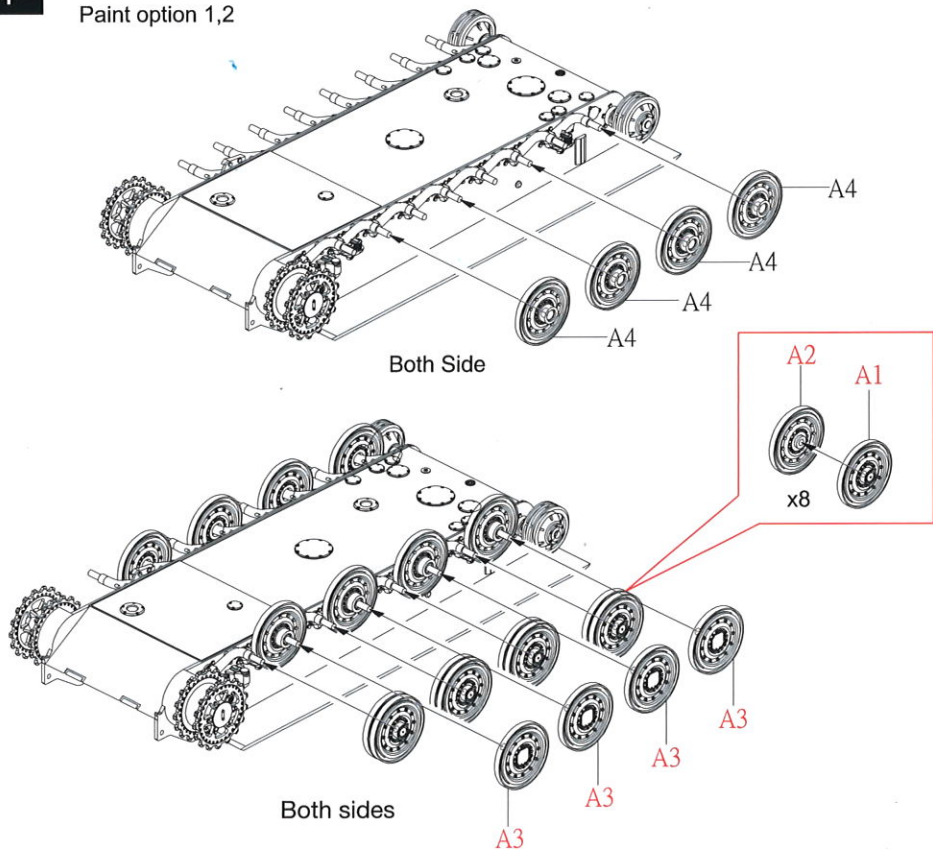
3

Paint option 3

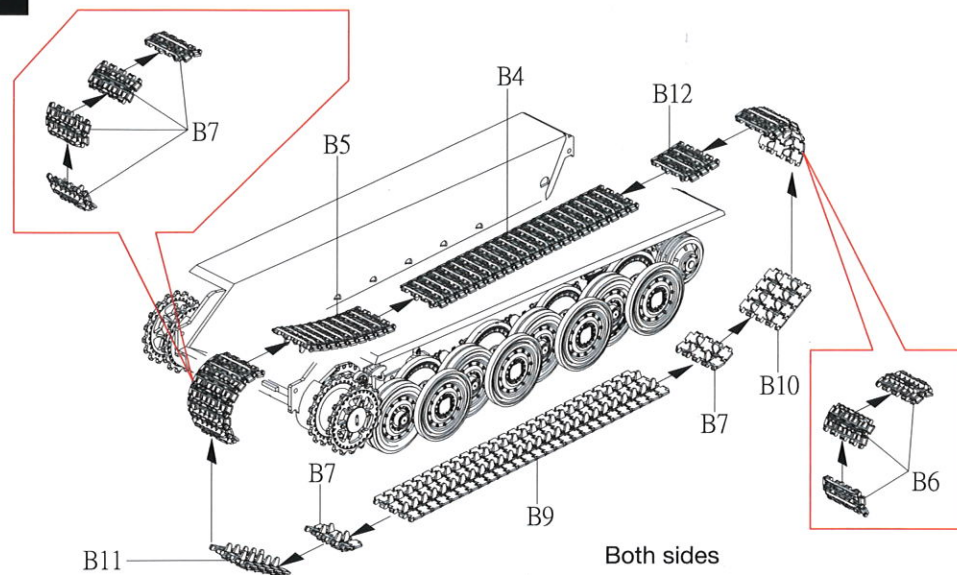


4

Paint option 1,2

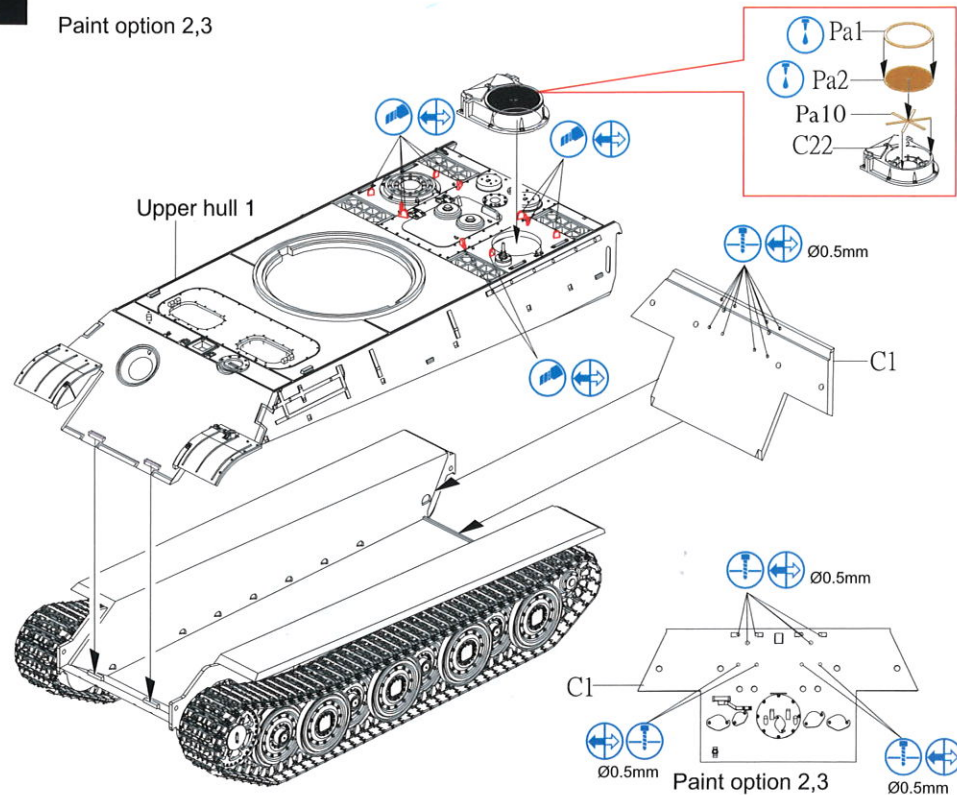


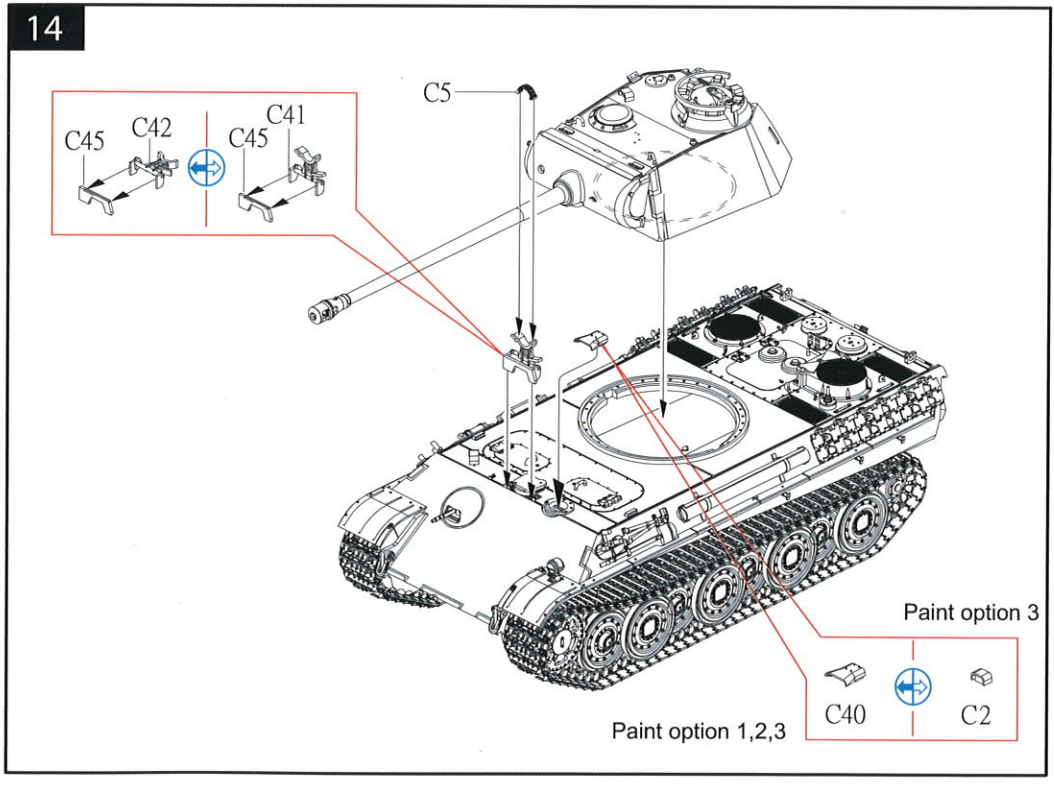
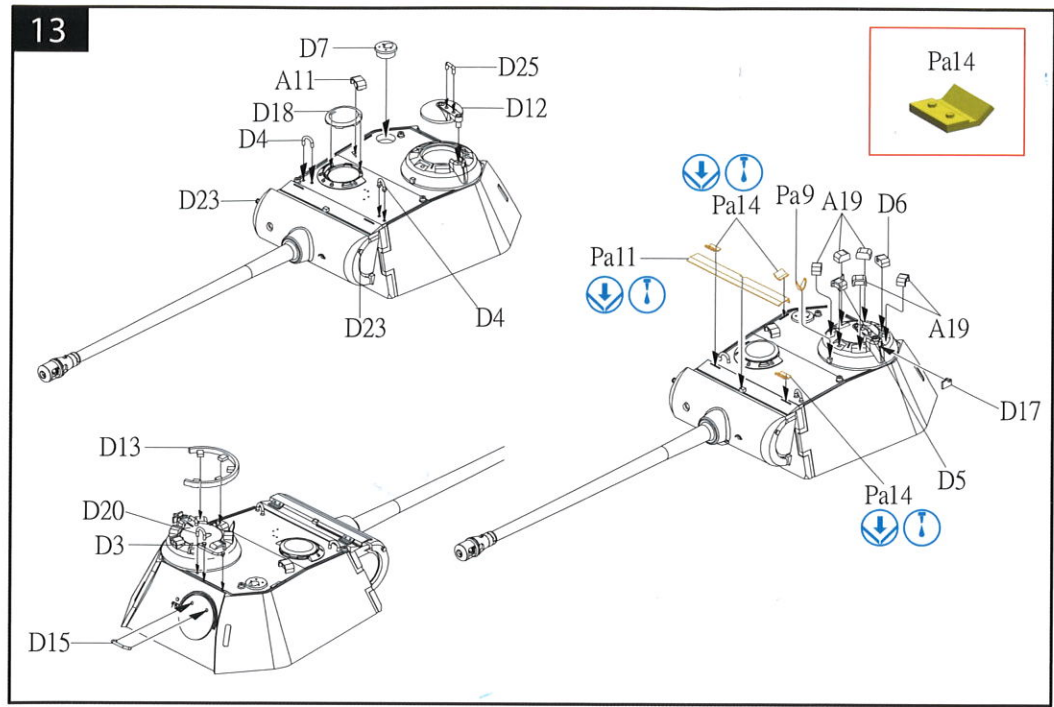
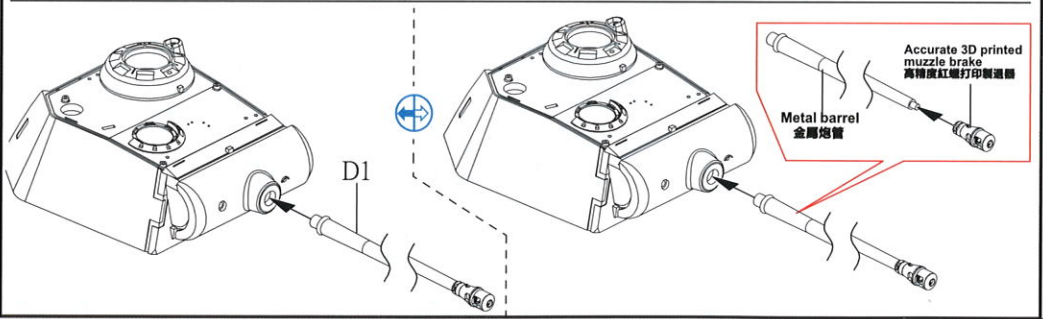
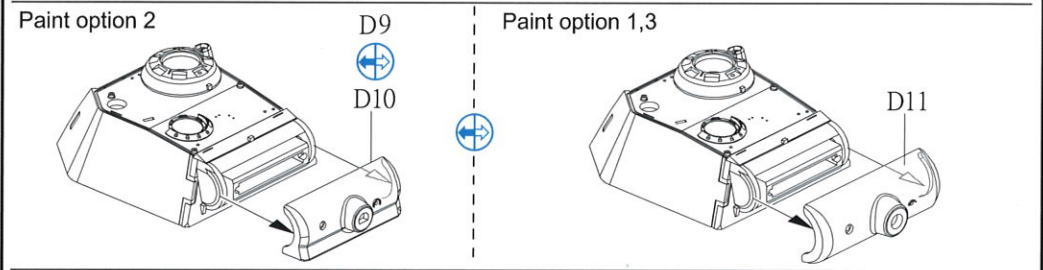
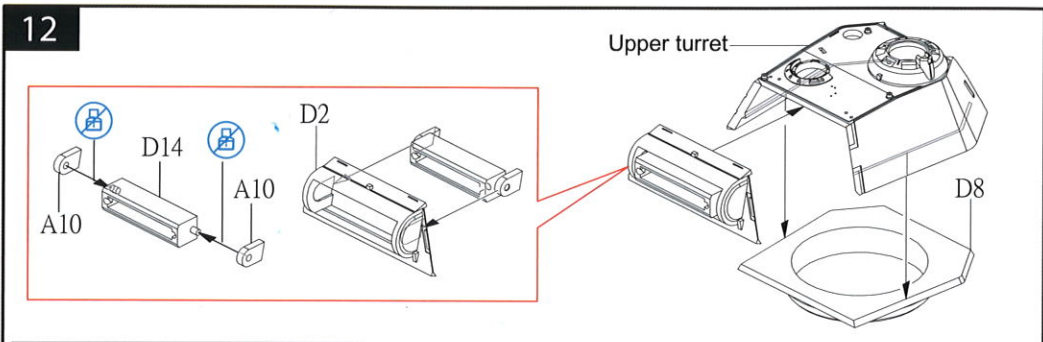
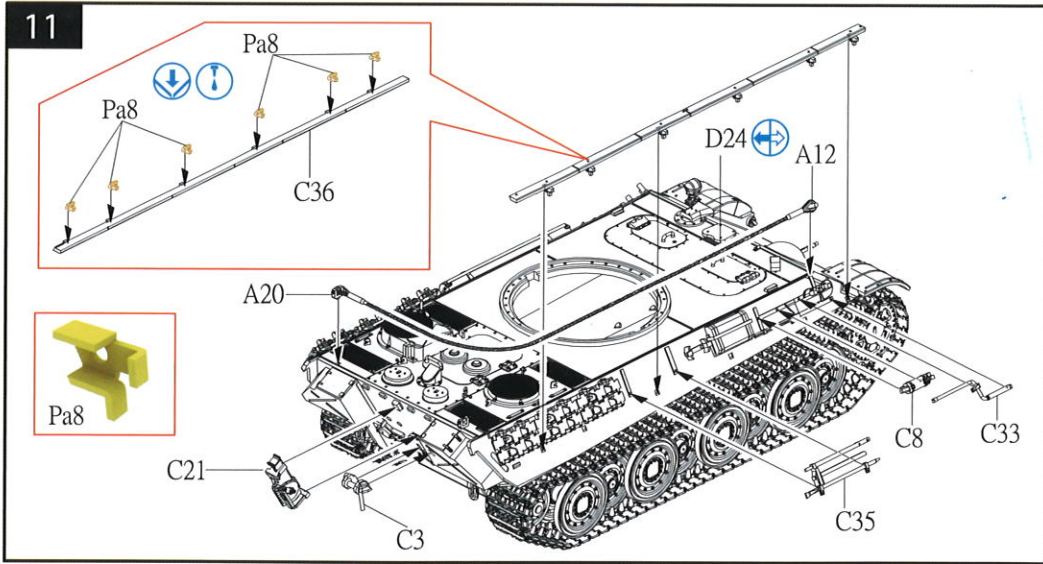
5



6

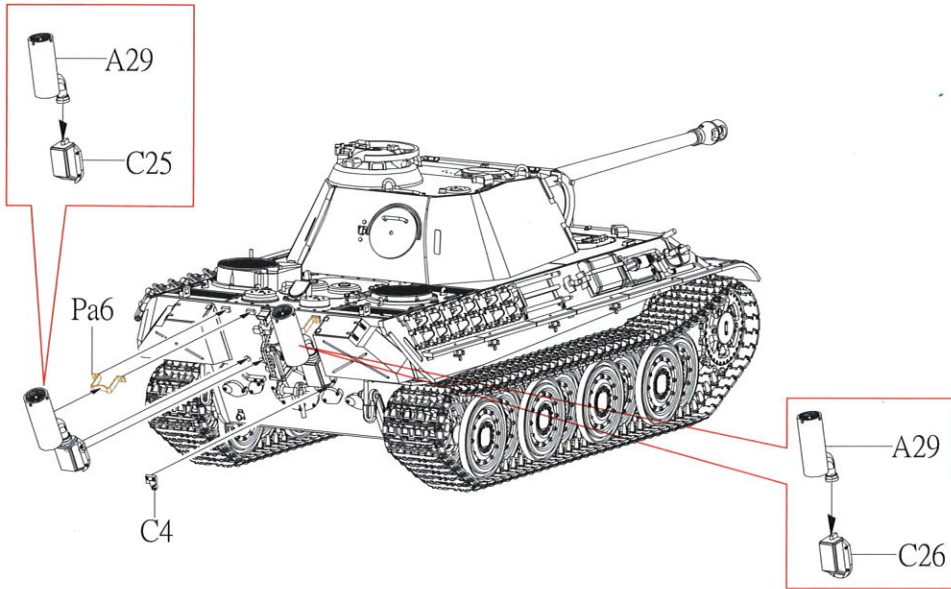
Paint option 2,3





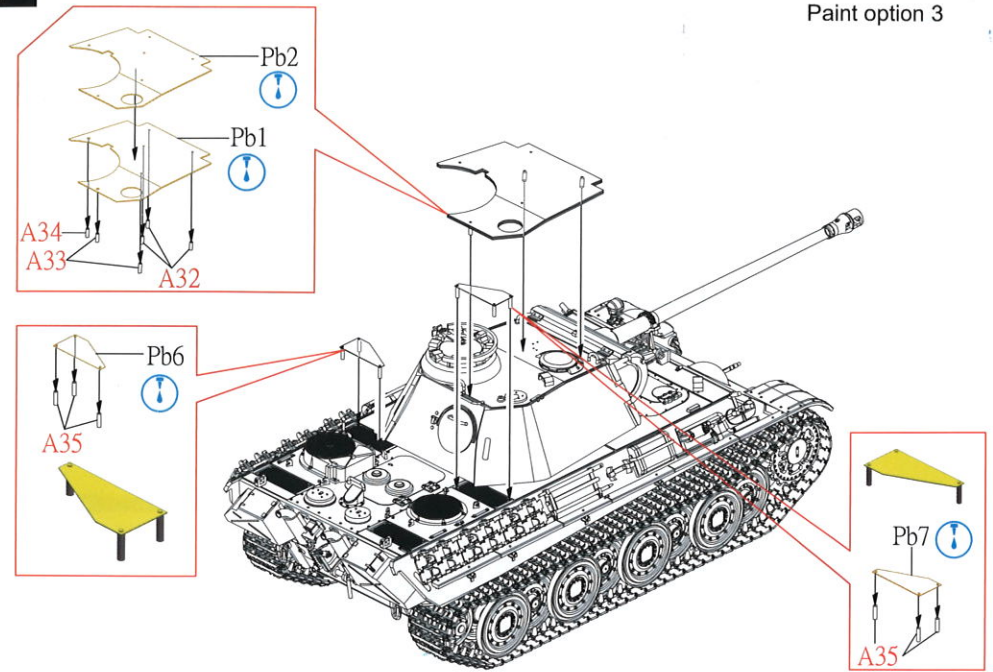
15

Paint option 1



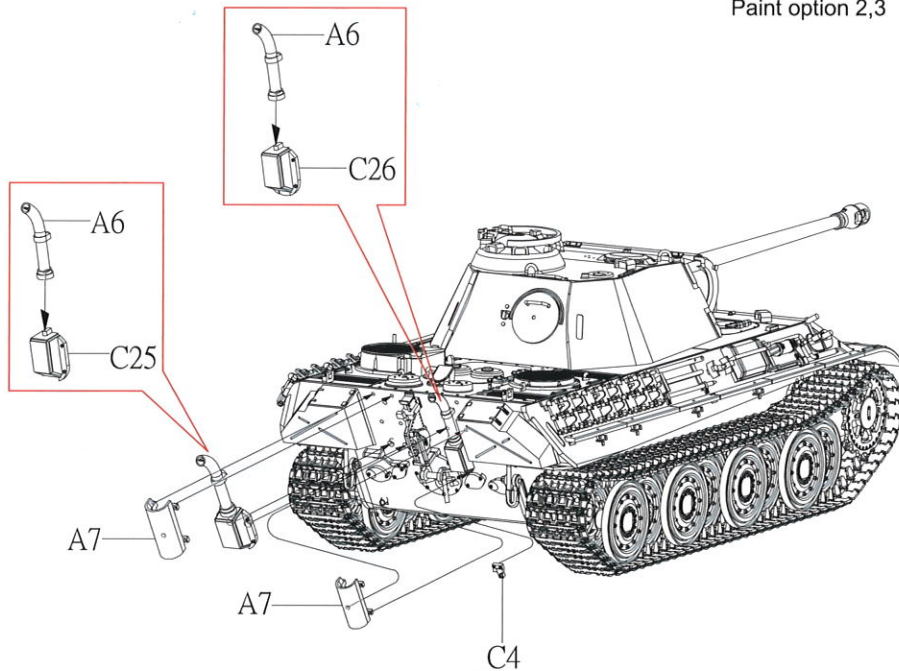
17

Paint option 3



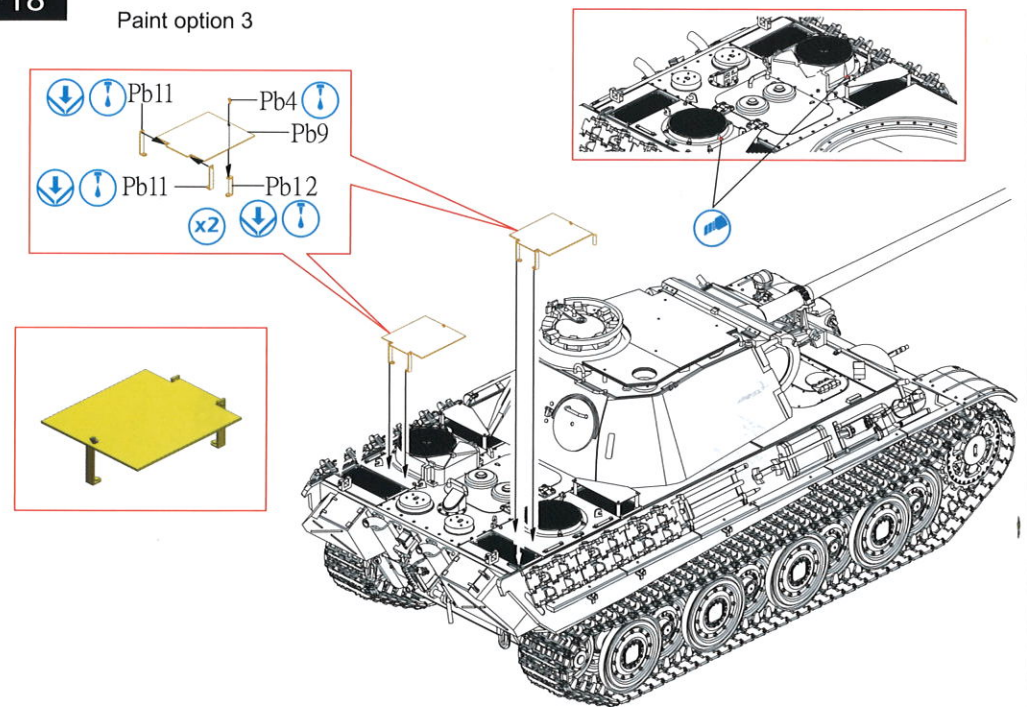
16

Paint option 2,3

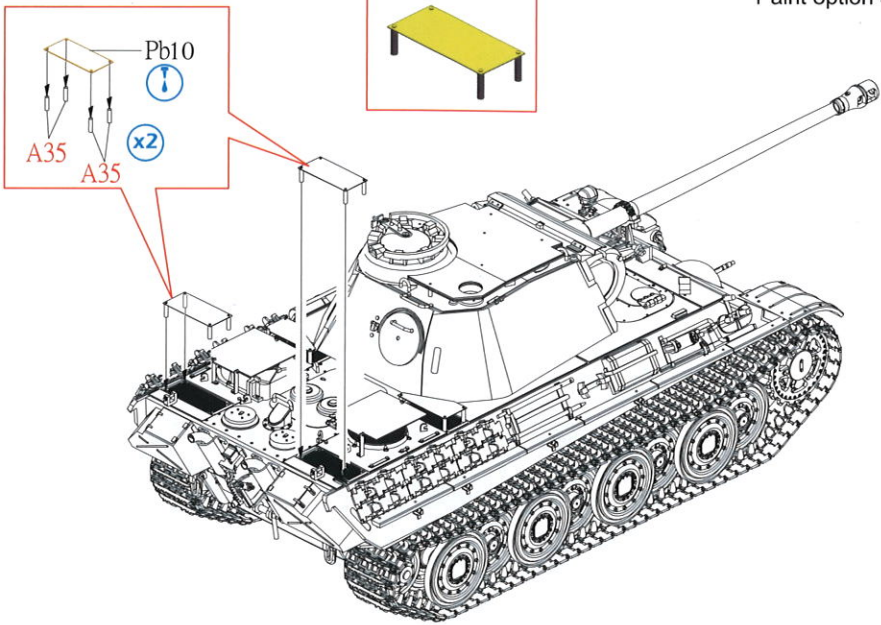


18

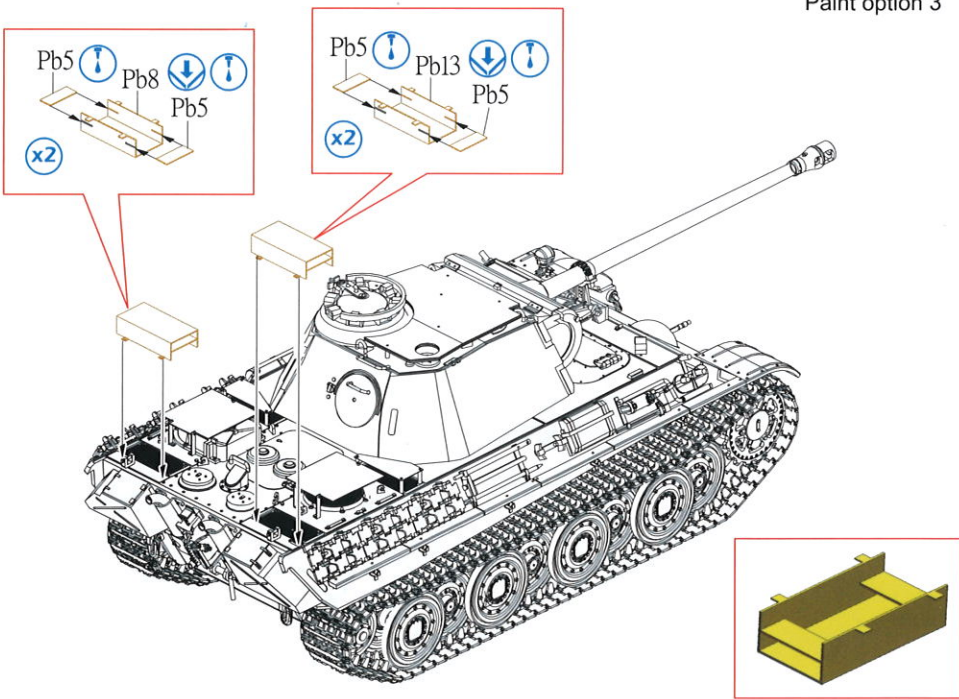
Paint option 3



Paint option 3

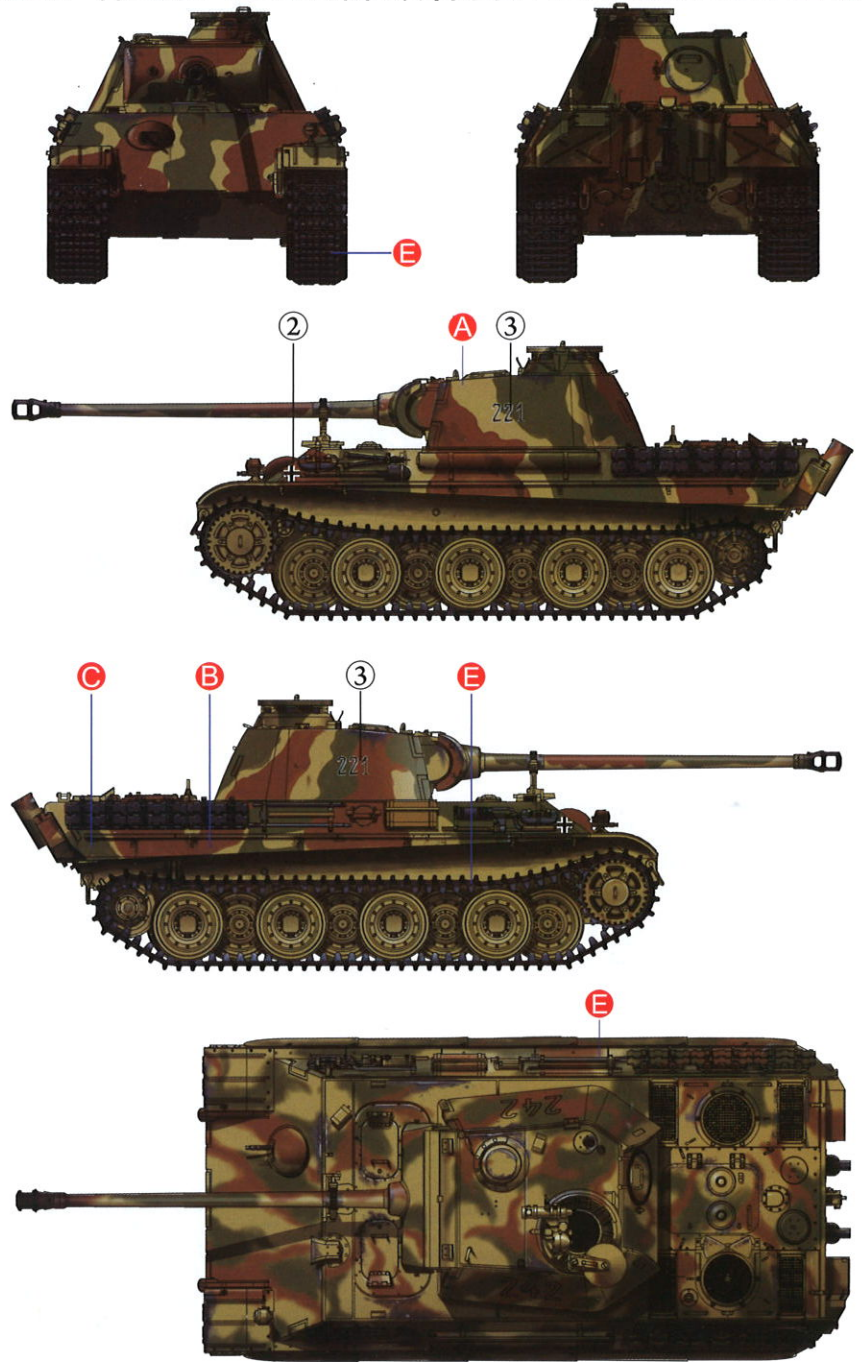


Paint option 3



Paint Option 1:

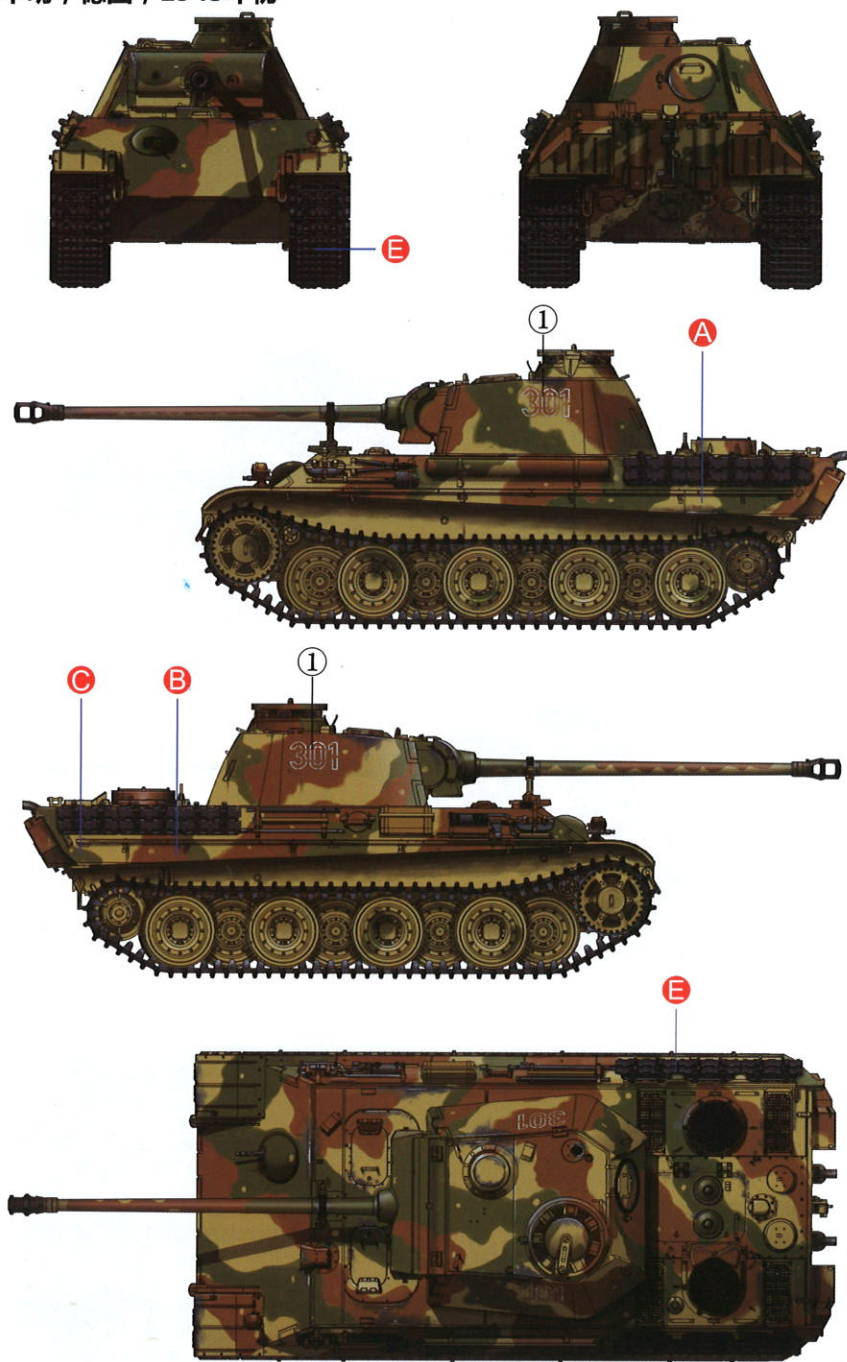
2./SS Panzer-Regiment 1, No.221, December of 1944, Belgium
 武装党卫队“警卫旗队”第1装甲师第1装甲团2营221号，比利时1944年12月



Paint Option 2:

Unknown unit, Germany, early 1945

单位不明，德国，1945年初



Paint Option 3:

4./Panzer-Regiment 26, No.424, April 1945, Italy

第26装甲团4营424号，意大利，1945年4月

